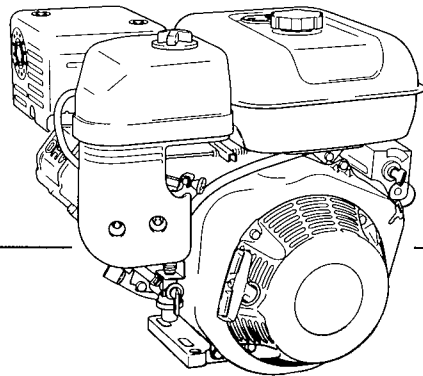


MODEL

EH36D/36B
EH41D/41B

INSTRUCTIONS FOR USE
MANUEL D'UTILISATION
BEDIENUNGSANLEITUNG
GEBRUIKSAANWIJZING
MANUAL DE INSTRUCCIONES
MANUALE D'USO E MANUTENZIONE



CE1/英·仏·独·蘭·西·伊

ISSUE EMD-EU1501


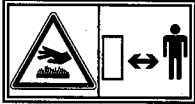










2ZZ9990047

Robin Engines

CONTENTS

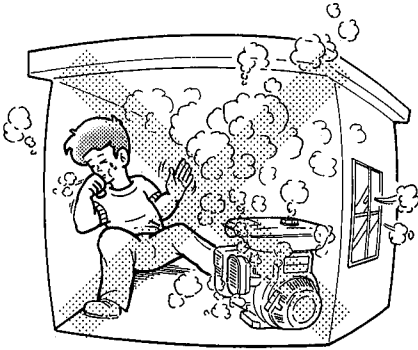
1. SAFETY PRECAUTIONS	1
2. COMPONENTS	4
3. PRE-OPERATION CHECKS	5
4. ELECTRIC STARTER MODELS	6
5. OPERATING YOUR ENGINE	8
6. EASY TROUBLESHOOTING	12
7. OIL SENSOR INSTRUCTIONS (OPTIONAL)	14
8. MAINTENANCE SCHEDULE	15
9. "HOW-TO" MAINTENANCE	16
10. PREPARATIONS FOR STORAGE	19
11. SPECIFICATIONS	20

SYMBOLS

	<p><i>Read the owner's manual.</i></p>		
	<p><i>Stay clear of the hot surface.</i></p>		
	<p><i>Exhaust gas is poisonous. Do not operate in an unventilated area.</i></p>		
	<p><i>Stop the engine before refueling.</i></p>		
	<p><i>Fire, open flame and smoking prohibited.</i></p>		
	<p><i>On (Run)</i></p>		<p><i>Plus; Positive polarity</i></p>
	<p><i>Off (Stop)</i></p>		<p><i>Battery</i></p>
	<p><i>Engine oil</i></p>		<p><i>Engine start (Electric start)</i></p>
	<p><i>Add oil</i></p>		

1. SAFETY PRECAUTIONS

Please make sure you review each precaution carefully.



EXHAUST PRECAUTIONS

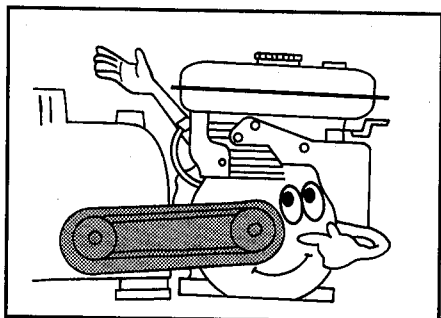
- Never inhale exhaust gasses. They contain carbon monoxide, a colorless, odorless and extremely dangerous gas which can cause unconsciousness or death.
- Never operate the engine indoors or in a poorly ventilated area, such as tunnel, cave, etc.
- Exercise extreme care when operating the engine near people or animals.
- Keep the exhaust pipe free of foreign objects.

REFUELING PRECAUTIONS

- Be sure to stop the engine prior to refueling.
- Do not overfill the fuel tank.
- If fuel is spilled, wipe it away carefully and wait until the fuel has dried before starting the engine.
- After refueling, make sure that the fuel cap is secured to prevent spillage.

FIRE PREVENTION

- Do not operate while smoking or near an open flame.
- Do not use around dry brush, twigs, cloth rags, or other flammable materials.
- Keep the engine at least 3 feet (1 meter) away from buildings or other structures.
- Keep the engine away from flammables and other hazardous materials (trash, rags, lubricants, explosives).



PROTECTIVE COVER

- **Place the protective covers over the rotating parts.**

If rotating parts such as the drive shaft, pulley, belt, etc. are left exposed, they are potentially hazardous. To prevent injury, equip them with protective covers or shrouds.

- **Be careful of hot parts.**

The muffler and other engine parts become very hot while the engine is running or just after it has stopped.

Operate the engine in a safe area and keep children away from the running engine.

- **Never make adjustments on the machinery while it is connected to the engine, without first removing the ignition cable from the spark plug.**

Turning the crankshaft by hand during adjusting or cleaning might start the engine, and machinery with it, causing serious injury to the operator.

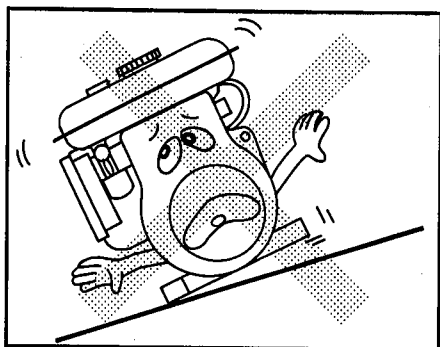
- **Never run the engine with governor disconnected, or operate at speeds in excess of 3600 rpm load.**

SURROUNDINGS

- **Operate the engine on a stable, level surface free of small rocks, loose gravel, etc.**

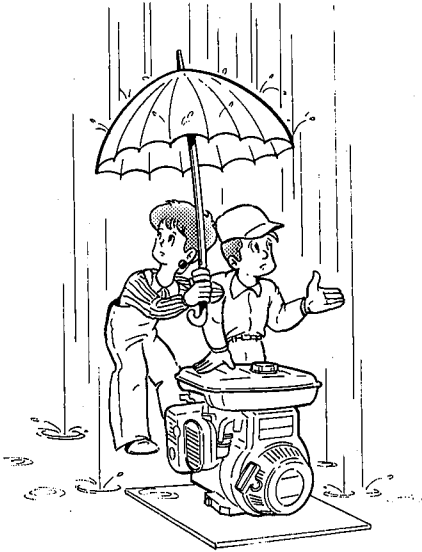
- **Operate the engine on a level surface.**

If the engine is tilted, fuel spillage may result.



NOTE

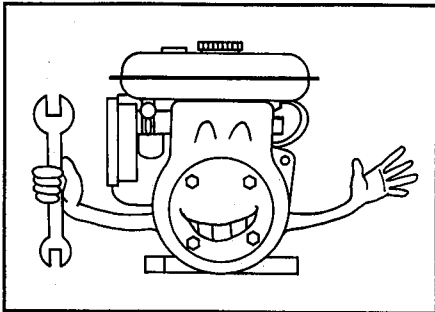
Operating the engine at a steep incline may cause seizure due to improper lubrication even with a maximum oil level.



- **Be careful of fuel spillage when transporting the engine.**

Tighten the fuel tank cap securely and close the fuel strainer cock before transport.

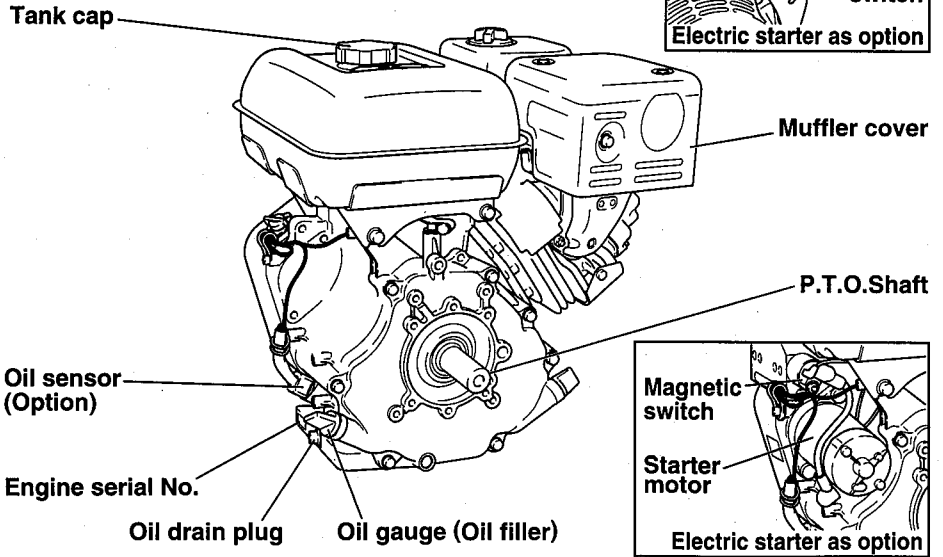
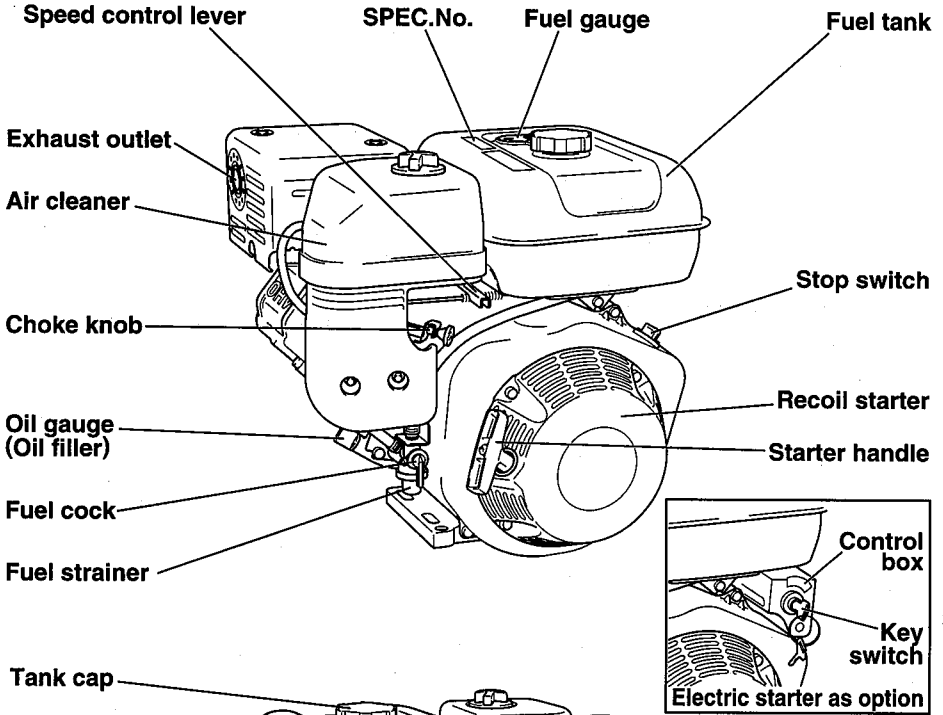
- **Do not move the engine while in operation when it has been removed from the equipment.**
- **Keep the unit dry (do not operate it in rainy conditions).**



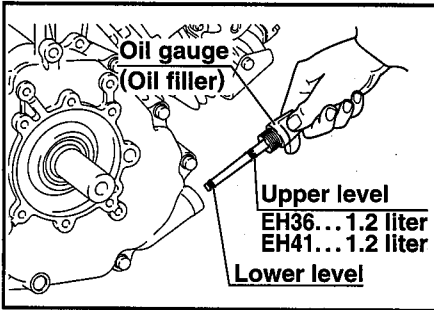
PRE-OPERATION CHECKS

- **Carefully check fuel hoses and joints for looseness and fuel leakage.**
Leaked fuel creates a potentially dangerous situation.
- **Check bolts and nuts for looseness.**
A loose bolt or nut may cause serious engine trouble.
- **Check the engine oil and refill if necessary.**
- **Check the fuel level and refill if necessary.**
Take care not to overfill the tank.
- **Wear snug fitting working clothes when operating the engine.**
Loose aprons, towels, belt, etc., may be caught in the engine or drive train, causing a dangerous situation.

2. COMPONENTS



3. PRE-OPERATION CHECKS



Single grade	5W						
	10W						
Multi grade	20W						
	#20						
Multi grade	#30						
	#40						
Ambient temperature	-20	-10	0	10	20	30	40°C
	-4	14	32	50	68	86	104°F



CHECK ENGINE OIL

Before checking or refilling engine oil, be sure the engine is located on a stable, level surface and stopped.

- Do not thread the gauge into oil filler to check oil level.
- If the oil level is below the lower level line on the dipstick, refill with the proper oil (see table) to the upper level.
- Change oil if it is contaminated. (See page 15 Maintenance Schedule.)
- Use class SE,SF (API classification) or higher grade oil.
- If multi-grade oil is employed, oil consumption tends to increase when the ambient temperature is high.

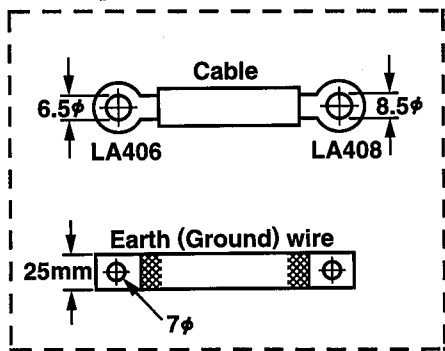
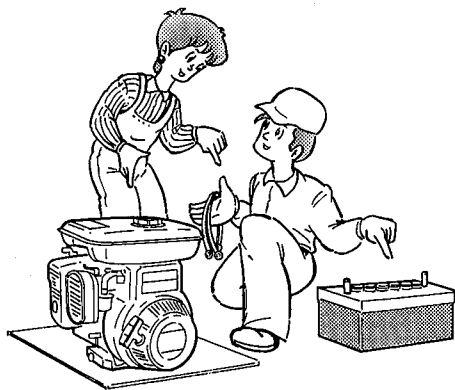
CHECK FUEL

⚠ CAUTION

Do not refuel while smoking, near an open flame or other potential hazards.

- Stop the engine and open the cap.
- Use unleaded gasoline only.
- Close the fuel cock before filling the fuel tank.
- When filling the fuel tank, always use the fuel filter.
- Wipe off any spilled fuel before starting the engine.

4. ELECTRIC STARTER MODELS



PARTS TO BE PREPARED

- Use a battery rated 12V-24AH or larger.
- Use a proper cable and ground wire to connect battery.

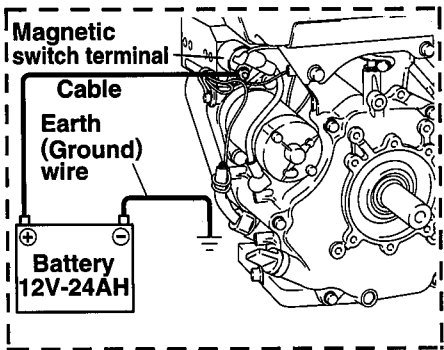
BATTERY

CABLE LENGTH	CABLE DIA.	WIRE GAUGE		
		AWG(BS) BWG	SAE	JIS
Less than 1.5m	7.3mm	1	6	AV15
1.5m to 2.5m	8.5mm	0	4	AV20
2.5m to 4m	10.8mm	3/0	2	AV30

For GROUND WIRE, use a flat braided wire of 0.03 sq. in. or larger sectional area. (SAE GAUGE #4)

WIRING

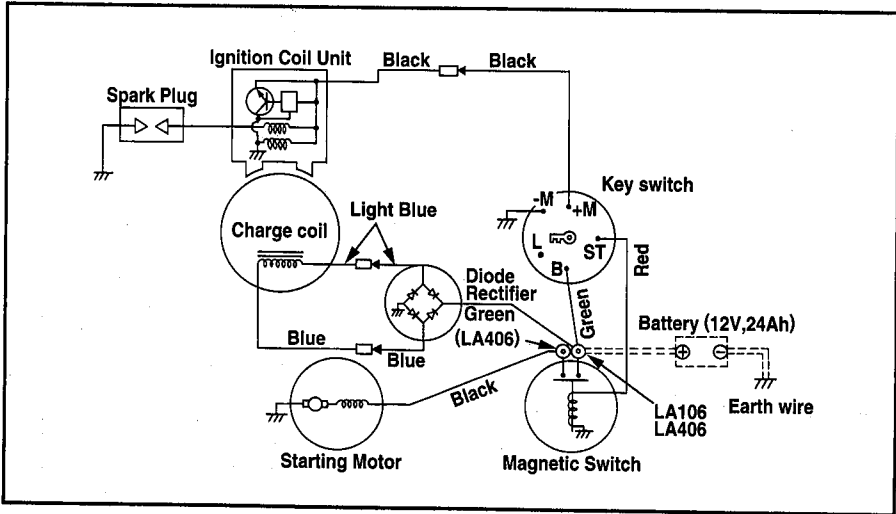
1. Connect positive terminal on magnetic switch and positive terminal of the battery with battery cable.
2. Ground negative terminal of the battery to the body of engine or machine with earth (ground) wire.
3. When installing the key switch on the machine, install with its drain hole at the bottom.



NOTE

Tighten bolts and nuts on terminals securely so they will not be loosened by vibration.

WIRING DIAGRAM



SWITCH CABLE

If a remote key switch is used, select wires of proper gauge to connect it and magnetic switch of the engine.

CABLE LENGTH	CABLE DIA.	WIRE GAUGE		
		AWG(BS)	BWG	JIS
Less than 1.5m	1.5 mm	14	16	AV1.25
1.5 ~ 3m	1.9 mm	12	14	AV2
3 ~ 5m	2.4 mm	10	13	AV3

5. OPERATING YOUR ENGINE

STARTING

STOP SWITCH

1

"I" (ON)

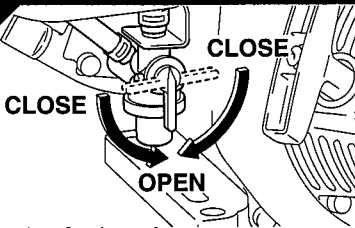
"O" (OFF)



Turn the STOP SWITCH clockwise to the position "I" (ON).

FUEL COCK

2



Open the fuel cock.

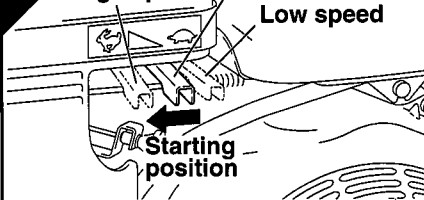
SPEED CONTROL LEVER

3

Speed Control Lever

High speed

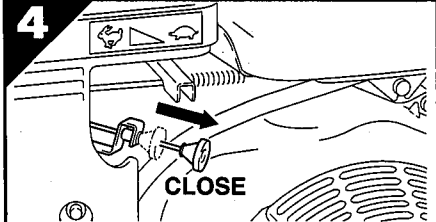
Low speed



Set the speed control lever 1/3 to 1/2 of the way towards the high speed position.

CHOKE KNOB

4



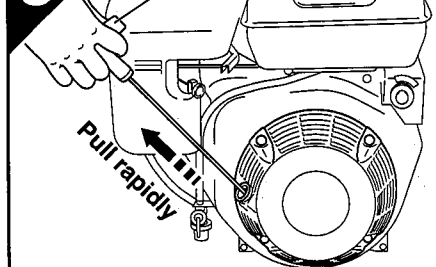
Close the choke knob.

- If the engine is warm or the ambient temperature is high, open the choke knob half-way, or keep it fully open.
- If the engine is cold or the ambient temperature is low, close the choke knob fully.

RECOIL STARTER

5

Recoil starter handle



- Pull the starter handle slowly until resistance is felt. This is the "compression" point. Return the handle to its original position and pull swiftly.
- Do not pull out the rope all the way.
- After starting the engine, allow the starter handle to return to its original position while still holding the handle.

RUNNING

KEY SWITCH (OPTIONAL)

5

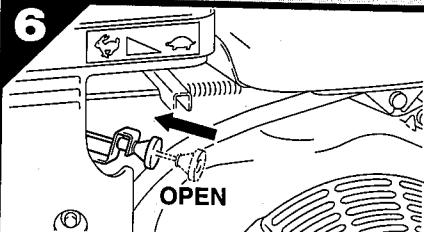


Insert the key into the key slot and set it at the "I" (ON) position. Turning it to the right (START position) starts the engine.

- Do not operate the electric starter continuously for more than 5 seconds, even if the engine does not start.
- If the engine failed to start, set the key to the "I" (ON) position and wait for about 10 seconds before retrying.
- Never turn the key switch to the START position while engine is running.

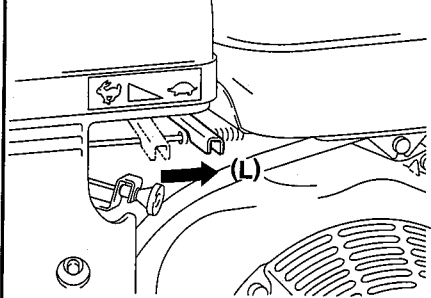
CHOKE KNOB

6

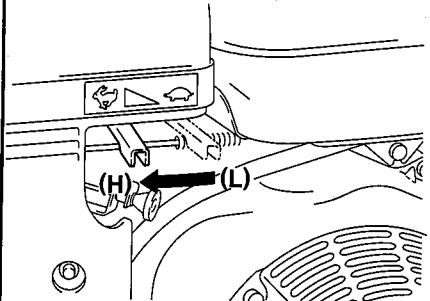


- After starting the engine, gradually open choke by turning the choke knob and finally keep it fully opened.
- Do not fully open the choke knob immediately when the engine is cold or the ambient temperature is low, because the engine may stop.

SPEED CONTROL LEVER



After the engine starts, set the speed control lever at the low speed position (L) and warm it up without load for a few minutes.



Gradually move the speed control lever toward the high speed position (H) and set it at the required engine speed.

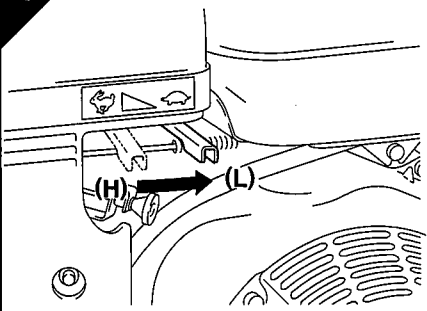
NOTE :

Whenever high speed operation is not required, slow the engine down (idle) by moving the speed control lever to save fuel and extend engine life.

STOPPING

SPEED CONTROL LEVER

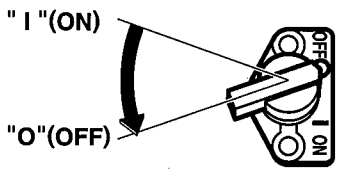
1



Set the speed control lever at the low speed position and allow the engine to run at low speed for 2 or 3 minutes before stopping.

STOP SWITCH

2



Turn the STOP SWITCH counter-clockwise to the position "O" (OFF).

KEY SWITCH (OPTIONAL)

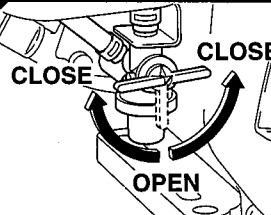
2



Set the key switch to "O" (STOP) position.

FUEL COCK

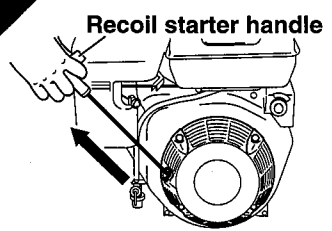
3



Close the fuel cock.

RECOIL STARTER

4



Pull the starter handle slowly and return the handle to its original position when resistance is felt.

NOTE :
The above operation is necessary to prevent outside moist air from intruding into the combustion chamber.

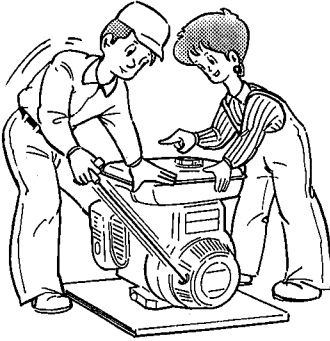
STOPPING ENGINE WITH THE FUEL COCK

Close the fuel cock and wait for a while until the engine stops.

Avoid to let the fuel remain in the carburetor over long periods, or the passages of the carburetor may become clogged with impurities, and malfunctions may result.

If your engine has an electric starter, set the key switch to the "O" (STOP) position after stopping the engine.

6. EASY TROUBLESHOOTING



WHEN ENGINE WILL NOT START :

- Perform the following checks before you take the engine to your Robin dealer.
- If you still have trouble after completing the checks, take the engine to your nearest Robin dealer.

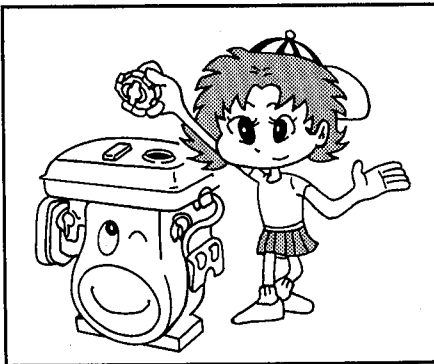


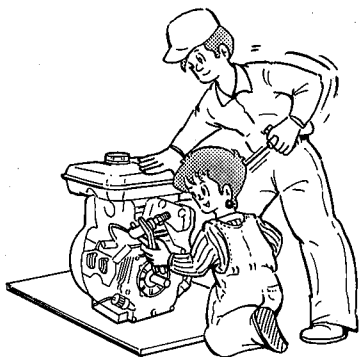
Is there enough compression ?

1. Pull the starter handle slowly and check if resistance is felt.
2. If little force is required to pull the starter handle, check if the spark plug is tightened firmly.
3. If the spark plug is loose, tighten it.

Is the spark plug wet with gasoline ?

1. Choke (close choke lever) and pull the starter handle five or six times. Remove the plug and check if its electrode is wet. If the electrode is wet, fuel is well supplied to your engine.
2. When the electrode is dry, check where the fuel stops. (Check the fuel intake of the carburetor and fuel strainer intake.)
3. In case the engine does not start with well supplied fuel, try using fresh fuel.





Is there a strong spark across the electrode ?

⚠ WARNING

- Wipe out spilled fuel carefully before testing. Place spark plug as far away from spark plug hole as possible.
- Do not hold spark plug by hand while pulling recoil starter.

1. Remove the spark plug and connect it to the plug cap. Pull the starter handle while grounding spark plug against engine body.
2. Try with a new spark plug if the spark is weak or there is no spark.
3. The ignition system is faulty if there is no spark with a new spark plug. Take your engine to your nearest Robin dealer.

NOTE

The engine with oil sensor will stop automatically when the oil level falls below the prescribed limit.

The engine can not be started unless the oil level is raised above the prescribed limit.

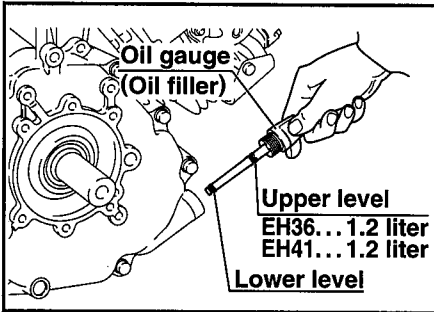


Is your battery well charged ?

If your battery for the electric starter is overly discharged, your engine will not start.

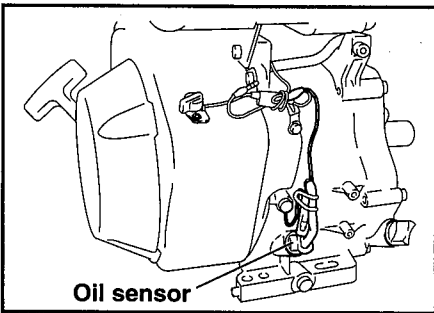
Consult your nearest dealer or service shop.

7. OIL SENSOR INSTRUCTIONS (OPTIONAL)



Is your oil sensor OK ?

The engine will stop automatically when the oil level falls below the safety limit. The engine cannot be started unless the level is raised above the prescribed limit.



RESTARTING

- Fill the crankcase with oil up to the proper level.
- As for restarting and operating the engine, refer to Section 5, "OPERATING YOUR ENGINE" on page 8.
- Check the wire connector from the engine. It must be connected securely to the wire from oil sensor.

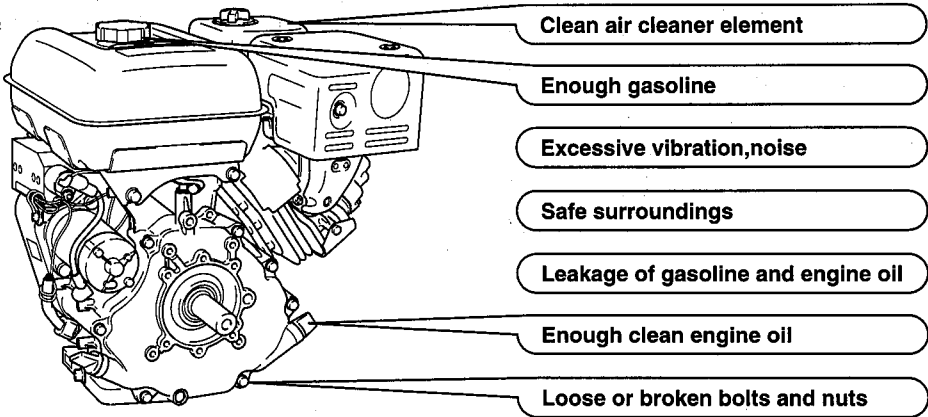
NOTE

- Do not remove the oil sensor from the engine for checking oil level and refilling.
- When selecting the engine oil, refer to the chart on page 5.

8. MAINTENANCE SCHEDULE

DAILY INSPECTION

Before running the engine, check the following service items.



PERIODIC INSPECTION

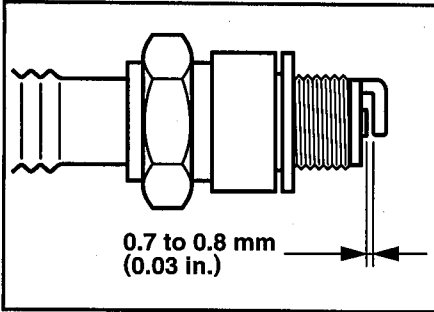
Periodic maintenance is vital to the safe and efficient operation of your engine.

Check the table below for periodic maintenance intervals.

The following chart is based on the normal engine operation schedule.

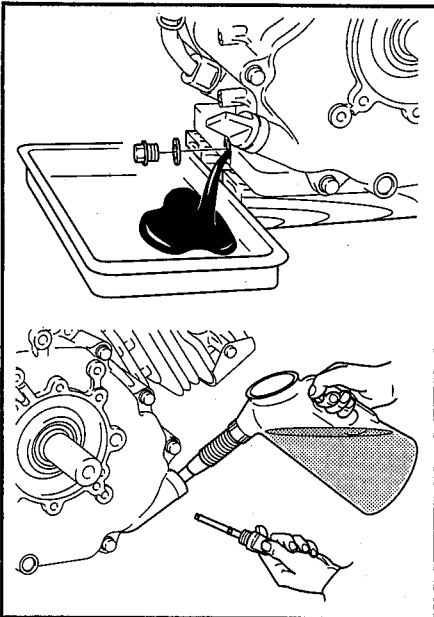
	8 hours (daily)	50 hours (weekly)	200 hours (Monthly)	500 hours	1000 hours
CLEAN ENGINE AND CHECK BOLTS AND NUTS	● (Daily)				
CHECK AND REFILL ENGINE OIL	● (Refill daily up to upper limit.)				
CHANGE ENGINE OIL	(Initial 20 hours)	●			
CLEAN SPARK PLUG		●			
CLEAN AIR CLEANER		●			
CLEAN FUEL STRAINER			●		
CLEAN AND ADJUST SPARK PLUG AND ELECTRODES			●		
CLEAN AND ADJUST CARBURETOR				●	
CLEAN CYLINDER HEAD				●	
ADJUST VALVE CLEARANCE				●	
OVERHAUL ENGINE IF NECESSARY					●

9. "HOW-TO" MAINTENANCE



INSPECTING THE SPARK PLUG

- Clean off carbon deposits on the spark plug electrode using a plug cleaner or wire brush.
- Check electrode gap. Adjust gap 0.7 mm to 0.8 mm (0.03 inches.)
- Use a proper spark plug :
NGK BP6ES
CHAMPION N9Y



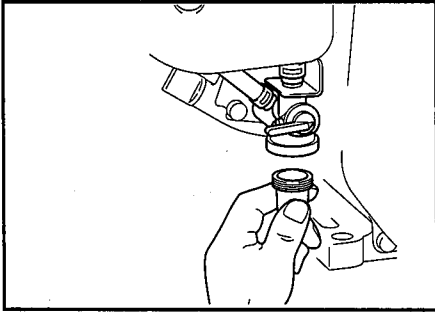
ENGINE OIL CHANGE

- Initial oil change
..... After 20 hours of operation
- Thereafter
..... Every 50 hours of operation

⚠ CAUTION
Make sure the fuel cap is tightly secured to avoid spillage.

1. When changing oil, stop the engine and loosen the drain plug.
2. Re-install the drain plug before refilling oil.
3. Refer to the recommended oil table on page 5.
4. Always use the best grade and clean oil. Contaminated oil, poor quality oil and shortage of oil cause damage to engine or shorten the engine life.

OIL CAPACITY :
EH36 1.2 liter
EH41 1.2 liter



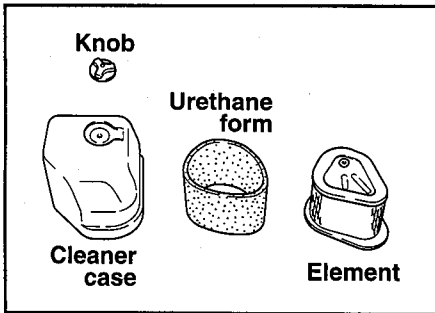
CLEANING FUEL STRAINER (NO SMOKING !)

- Inspect fuel strainer for water and dirt.
- To remove water and dirt, close the fuel cock and remove the strainer cup.
- After removing dirt and water, wash the strainer cup with gasoline. Reinstall securely to prevent leakage.

CLEANING AIR CLEANER

Dirty air cleaner element will cause starting difficulty, power loss, engine malfunctions, and shorten engine life extremely.

Keep the air cleaner element clean.



Air cleaner paper element and urethane form can be take out after removing knob and air cleaner cover.

When installing, set the paper element and urethane form on the air cleaner base. Be sure to check the grommet is in position, and then install the cover with knob tightened securely.

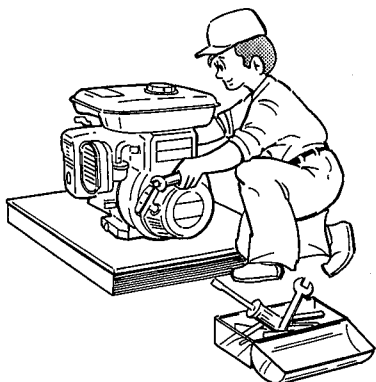
● Urethane Form cleaning

Wash and clean the urethane form in kerosene. Saturate in a mixture of 3 parts kerosene and 1 part engine oil, and then squeeze to remove excess oil. Clean urethane form every 50 hours.

● Paper element

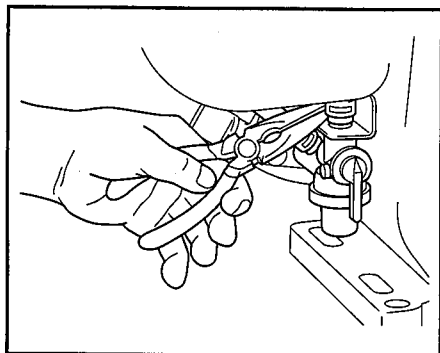
Clean by tapping gently to remove dirt and blow off dust. Never use oil. Clean paper element every 50 hours of operation, and replace element every 200 hours or once a year.

- If an oil bath or special air cleaner with precleaner is used, clean the oil pan, fill oil to the required level or clean the dust pan.



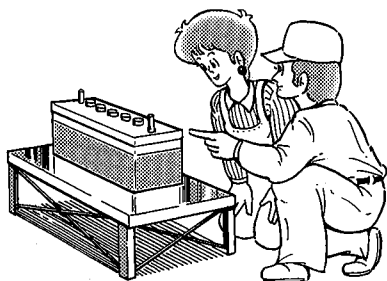
CHECKING BOLTS, NUTS AND SCREWS

Retighten loose bolts and nuts.
Check for fuel and oil leaks.
Replace damaged parts with new ones.
Keep safety in your mind.



FUEL PIPE REPLACEMENT

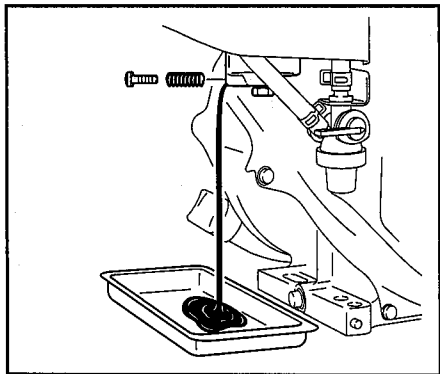
Replace the fuel pipe every 2 years.
When fuel leak is found replace it immediately.



CHECK BATTERY

If the electrolyte fluid is below level line,
refill with distilled water to the upper
level line.

10. PREPARATIONS FOR STORAGE



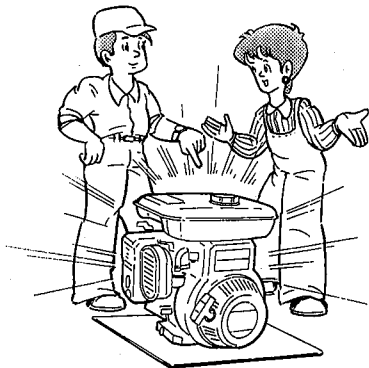
DISCHARGE FUEL (NO SMOKING !)

- Remove the strainer cup, place the strainer over a container and open the strainer cock to discharge fuel from the fuel tank.
- Remove the drain screw of the carburetor float chamber and discharge fuel.



ENGINE OIL

- Change the engine oil with fresh oil.
- Remove the spark plug, pour about 5 cc of engine oil into the cylinder, slowly pull the starter handle of the recoil starter 2 or 3 times, and re-install the spark plug.



CLEAN AND STORE

- Slowly pull the recoil starter handle until resistance is felt and leave it in that position.
- Clean the engine thoroughly with an oiled cloth, put the cover on, and store the engine indoors in a well-ventilated, low humidity area.

11. SPECIFICATIONS

MODEL	EH36D	EH36B	EH41D	EH41B
Type	Air-cooled, 4-cycle single cylinder, horizontal shaft, gasoline engine			
Displacement	404 cm ³			
Continuous Output	6.3 kW/3600 min ⁻¹ (8.5 HP/3600 rpm)	6.3 kW/1800 min ⁻¹ (8.5 HP/1800 rpm)	7.0 kW/3600 min ⁻¹ (9.5 HP/3600 rpm)	7.0 kW/1800 min ⁻¹ (9.5 HP/1800 rpm)
	5.5 kW/3000 min ⁻¹ (7.5 HP/3000 rpm)	5.5 kW/1500 min ⁻¹ (7.5 HP/1500 rpm)	6.3 kW/3000 min ⁻¹ (8.5 HP/3000 rpm)	6.3 kW/1500 min ⁻¹ (8.5 HP/1500 rpm)
Maximum Output	8.5 kW/3600 min ⁻¹ (11.5 HP/3600 rpm)	8.5 kW/1800 min ⁻¹ (11.5 HP/1800 rpm)	9.9 kW/3600 min ⁻¹ (13.5 HP/3600 rpm)	9.9 kW/1800 min ⁻¹ (13.5 HP/1800 rpm)
Direction of Rotation	Counterclockwise, as Viewed from P.T.O. Shaft side			
Lubricant	Class SE, SF or higher grade, SAE #20, #30, #40 or multi-grade engine oil			
Fuel	Automobile Gasoline (unleaded)			
Fuel Tank Capacity	7.0 liters			
Spark Plug	NGK BP6ES (CHAMPION N9Y)			
Starting System	Recoil starter (Electric starter available as option)			
Dry Weight	31 kg	32 kg	31 kg	32 kg
	Length		389 mm	
Dimensions	Width		431 mm	
	Height		443 mm	