



Robin Engine

Model EH025A

for Worms

PARTS CATALOG

**Spec. No. EH025A*0197(YELLOW)
EH025A*0198(RED)**

 **FUJI HEAVY INDUSTRIES LTD.**

ISSUE EMD-EP1553

FIG.100 CRANKCASE

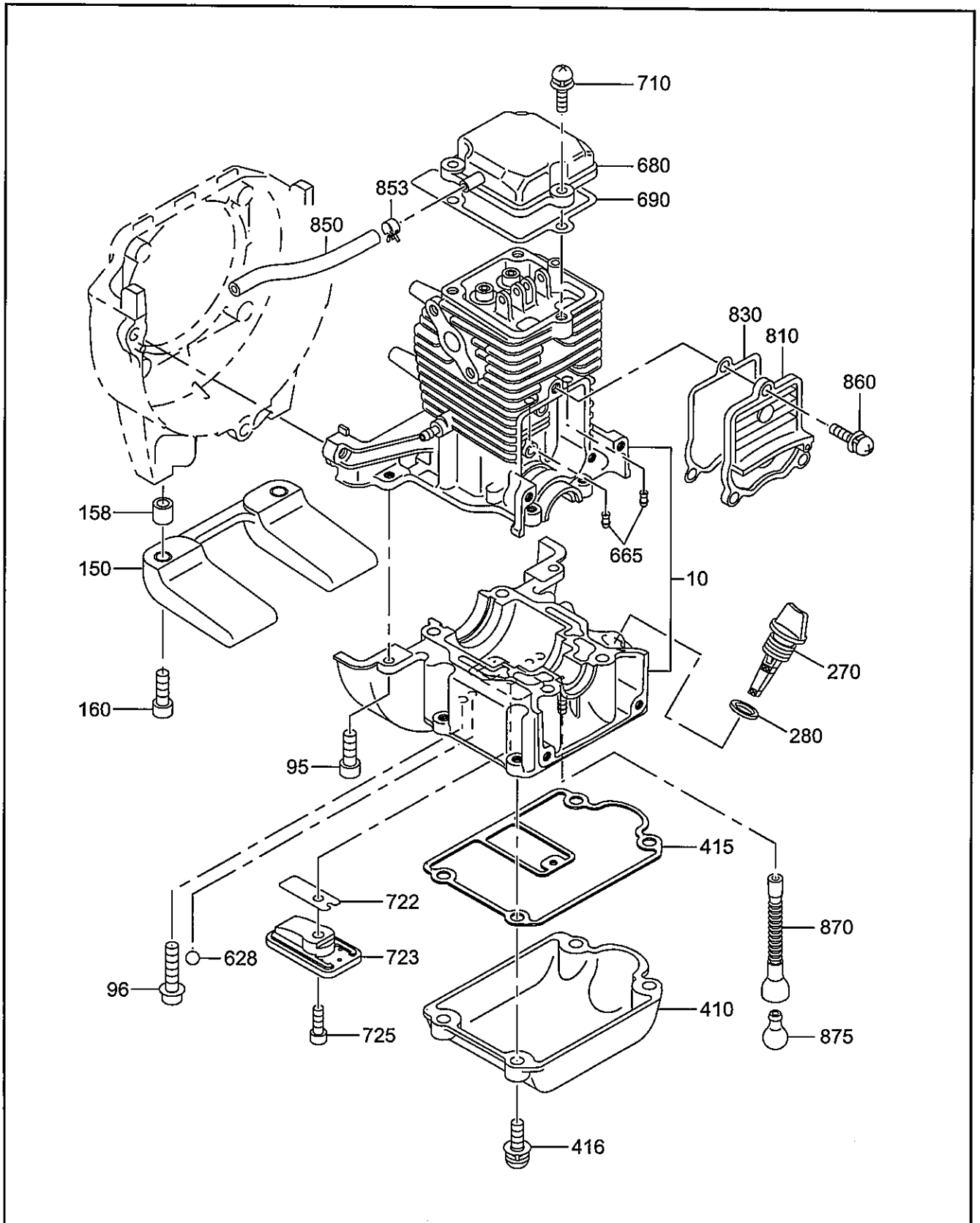


FIG.200 CRANKSHAFT, PISTON

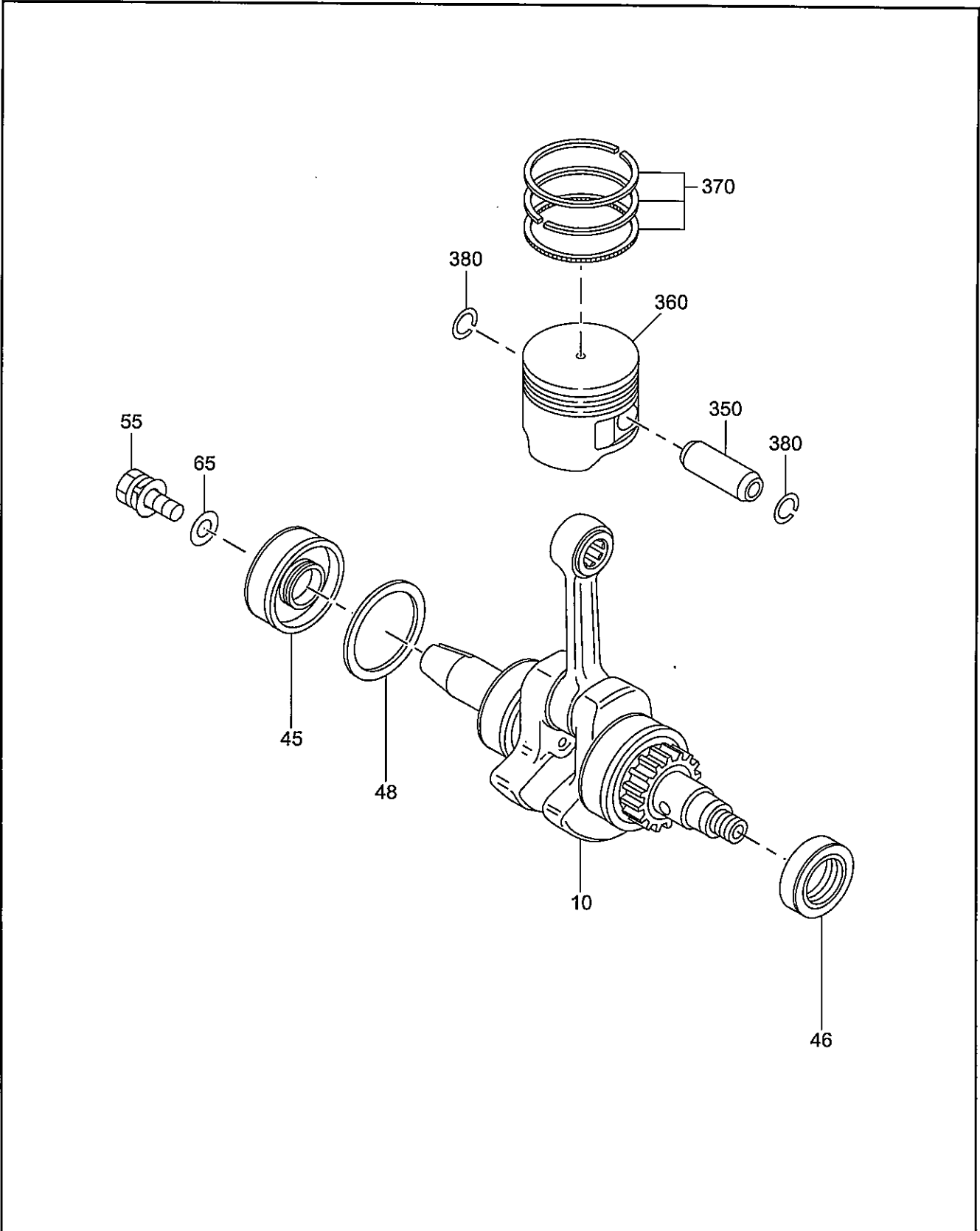
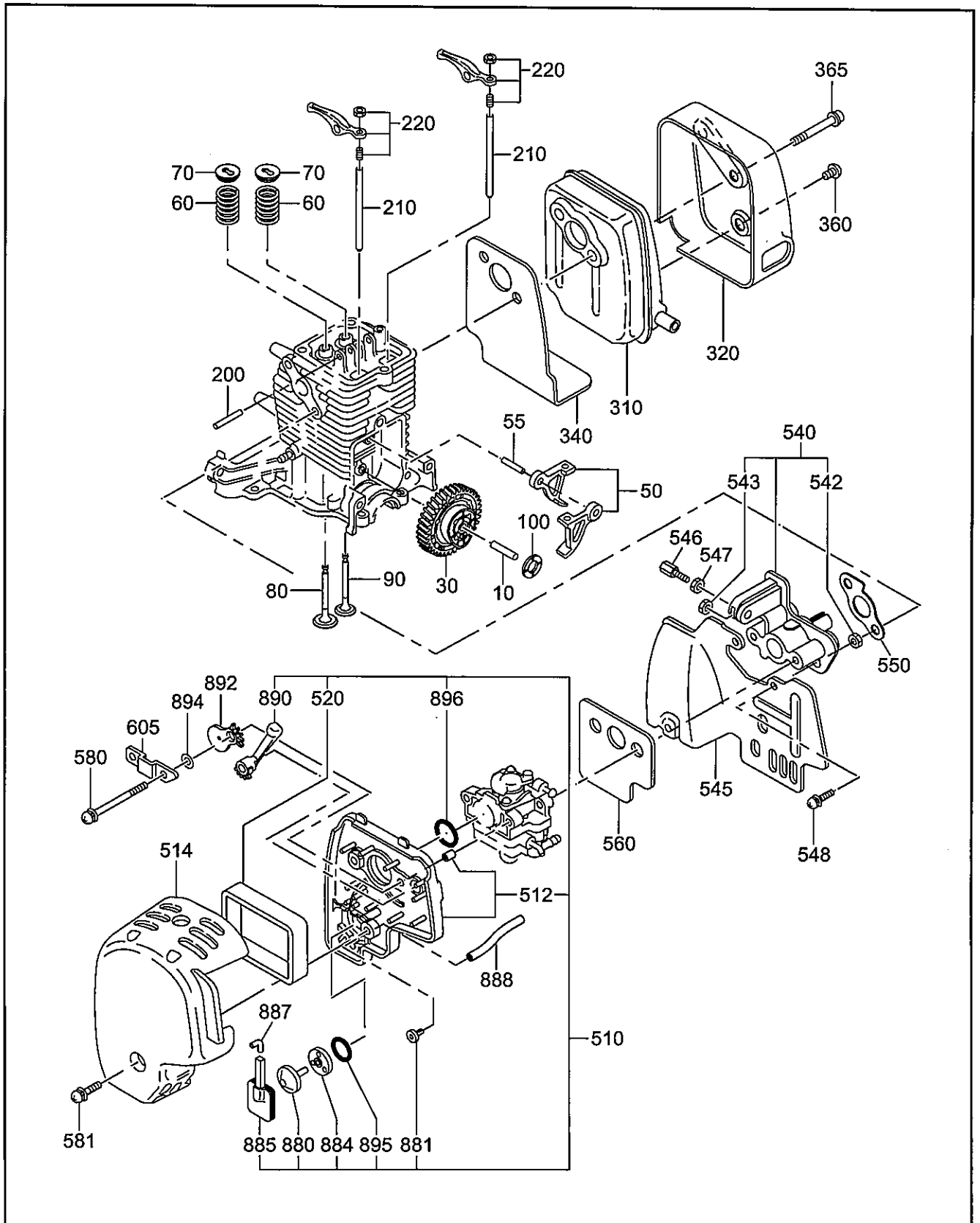


FIG.300 INTAKE, EXHAUST



'01-1

EH025A

FIG.300 INTAKE, EXHAUST

Ref. No.	Part Number	Description	Q'ty	Interchangeability	
					Execution
10	592-35005-01	SHAFT, CAMGEAR	1		
30	592-30070-00	CAMGEAR AY	1		
50	592-35000-01	CAMLIFTER	2		
55	592-35006-00	SHAFT, CAMLIFTER	1		
60	592-35012-00	VALVE SPRING	2		
70	592-35013-00	RETAINER, SPRING	2		
80	592-35015-00	INTAKE VALVE	1		
90	592-35014-00	EXHAUST VALVE	1		
100	592-35038-00	WASHER	1		
200	592-35011-01	ROCKER SHAFT	1		
210	592-35007-00	PUSH ROD	2		
220	592-30020-00	ROCKER ARM AY	2		
310	592-30010-00	MUFFLER, EXHAUST	1		
320	592-35034-00	COVER, MUFFLER	1		
340	592-35016-01	GASKET, MUFFLER	1		
360	014-00599-62	SCREW	1		
365	011-90595-20	SOCKET HEAD BOLT	2		
510	592-30040-02	PLATE, CLEANER AY	1		
512	592-30060-01	PLATE, AIR CLEANER CP	1		
514	592-35027-00	COVER, AIR CLEANER	1		
520	592-35032-00	ELEMENT, AIR CLEANER	1		
540	592-30050-01	INSULATOR CP	1		
542	017-00599-80	NUT	2		
543	002-27060-00	NUT	1		
545	592-35020-00	INSULATOR, CARBURETOR	1		
546	014-90699-72	ADJUST SCREW	1		
547	002-27060-00	NUT	1		
548	004-36051-80	SCREW AY	2		
550	592-35018-01	GASKET, INSULATOR	1		
560	592-35019-00	GASKET, CARBURETOR	1		
580	592-35031-00	SCREW	2		
581	014-00594-80	SCREW	1		
605	592-35026-00	PLATE	1		
880	531-65007-01	CHECK VALVE	1		
881	592-35024-00	CHECK VALVE (1)	1		
884	592-35025-00	PLATE, CHECK VALVE	1		
885	592-35033-00	PLATE, SEPARATOR	1		
887	592-35039-00	PIPE, PLATE SEPARATOR	1		
888	592-35030-01	PIPE	1		
890	592-35022-00	LEVER, CHOKE	1		
892	592-35023-01	PLATE, CHOKE	1		
894	021-30699-90	GASKET	1		
895	024-01399-70	O-RING	1		
896	024-01599-90	O-RING	1		

'01-1

EH025A

FIG.500 COOLING, STARTING

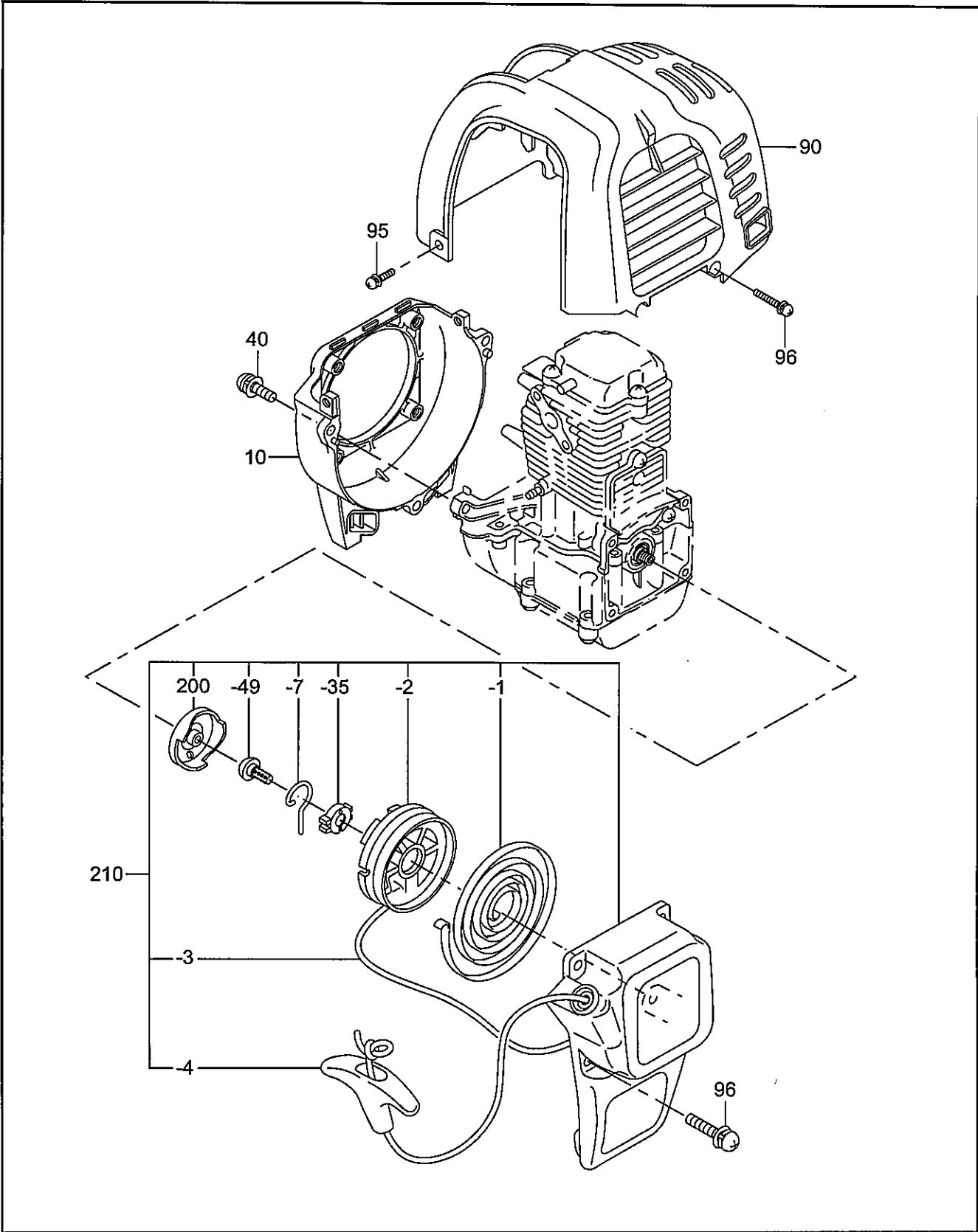


FIG.600 FUEL, LUBRICANT

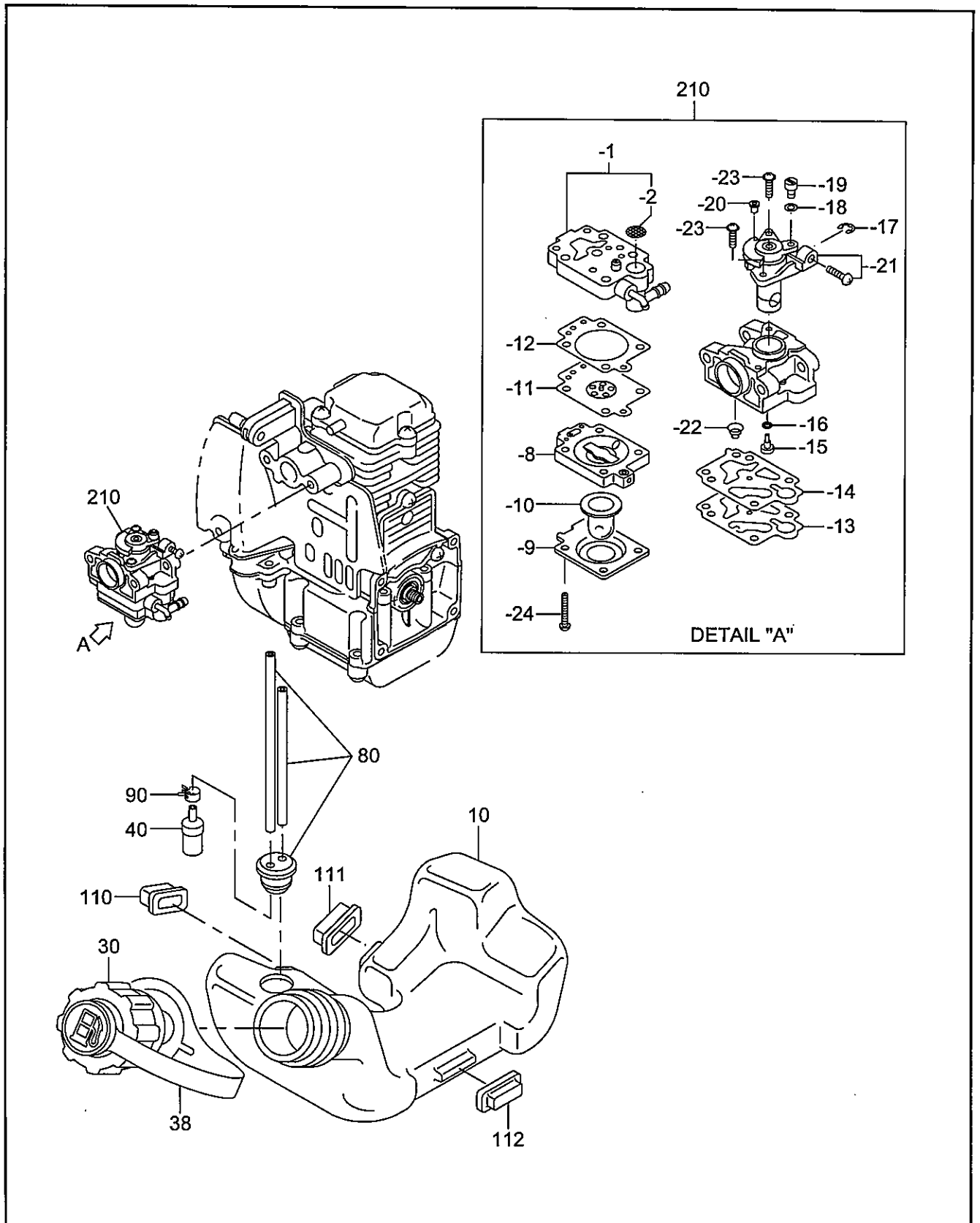


FIG.700 ELECTRIC DEVICE

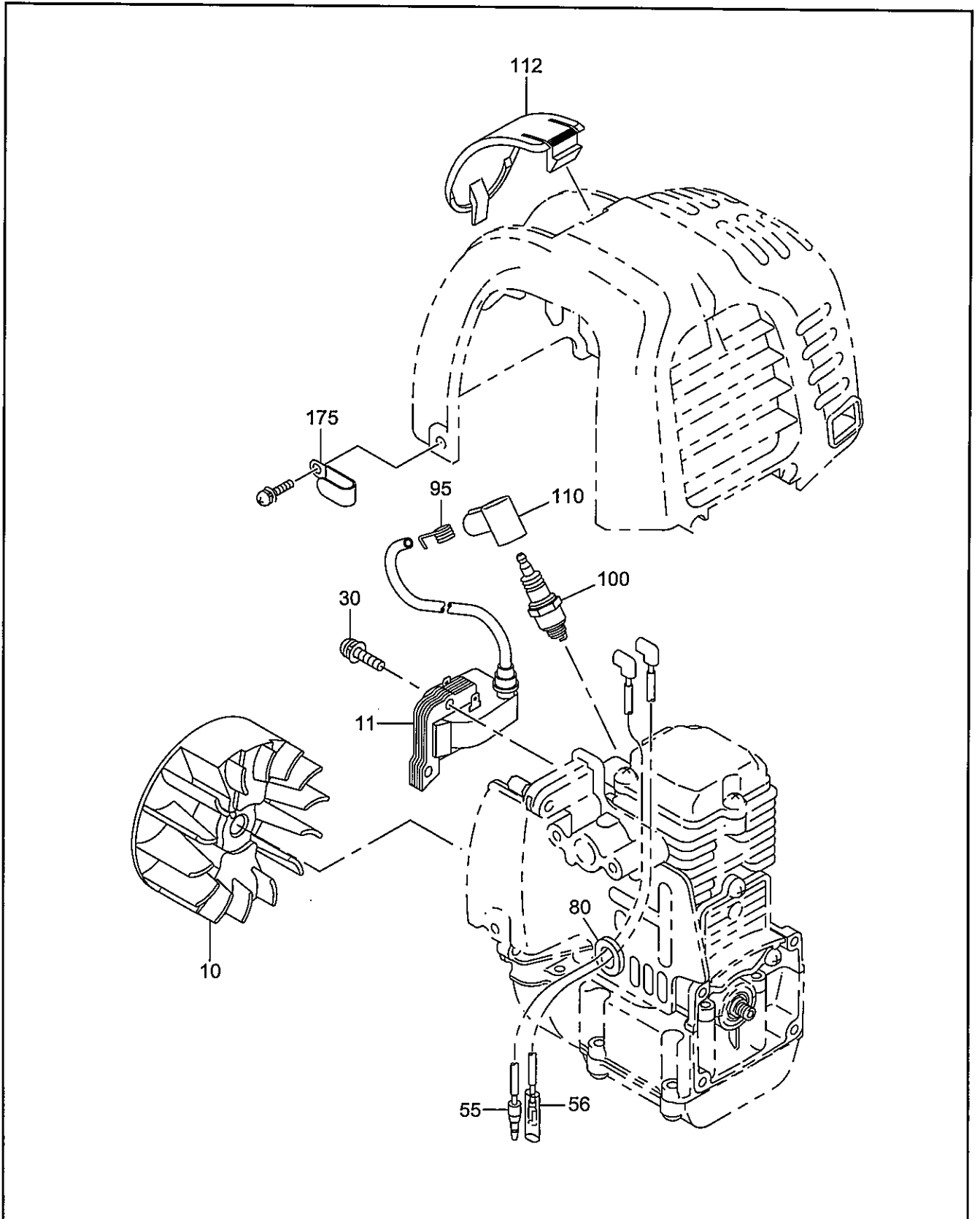


FIG.800 CLUTCH

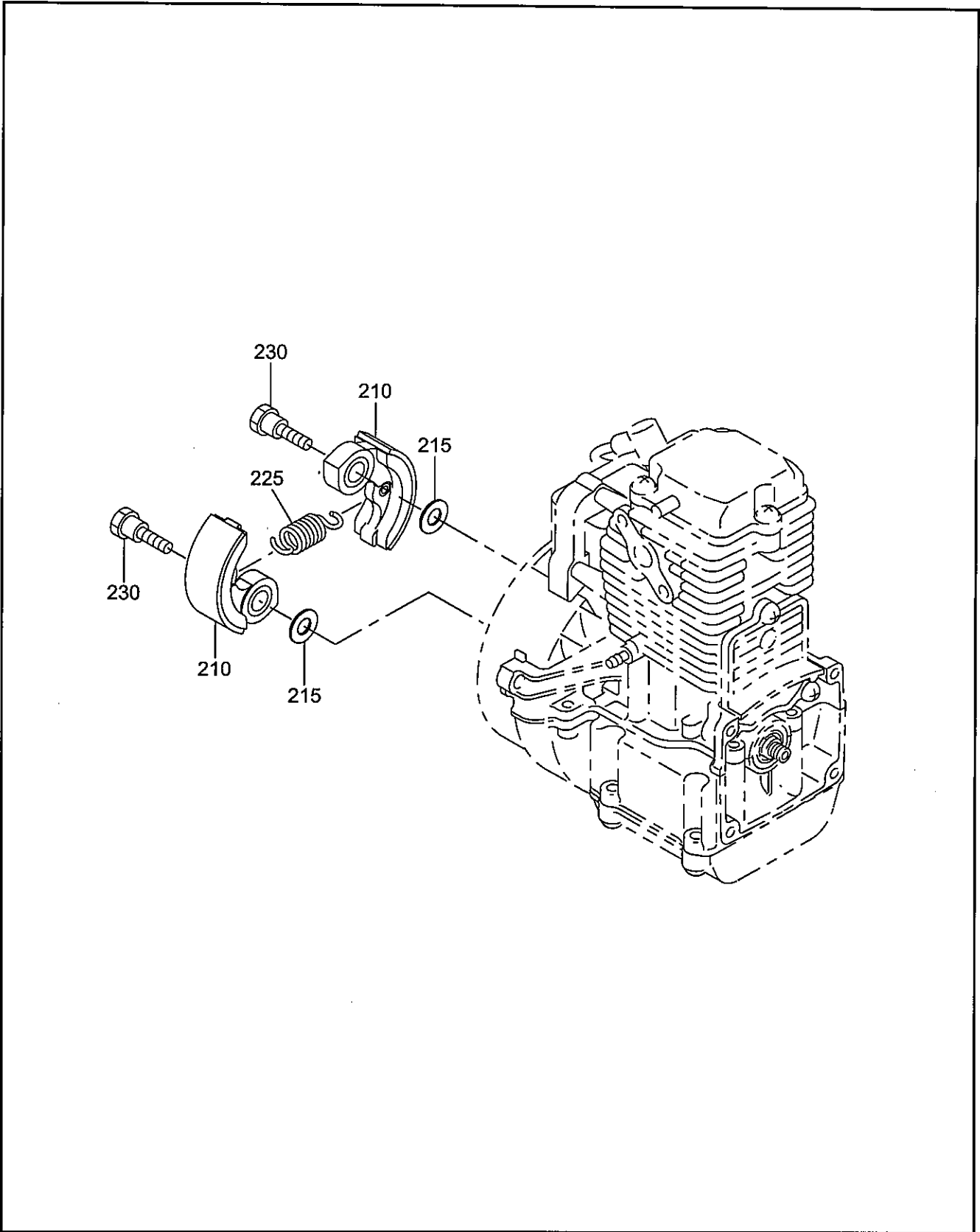


FIG.900 ACCESSORIES

