



**Robin Engine**

**Model EH035**

# **PARTS CATALOG**

The part catalog contains the spare parts employed in the following SPEC. No.  
as the representative SPEC. No. of "EH035A\*0303".

**Spec. No. EH035A\*0303**  
**EH035A\*0306**

FIG. 100

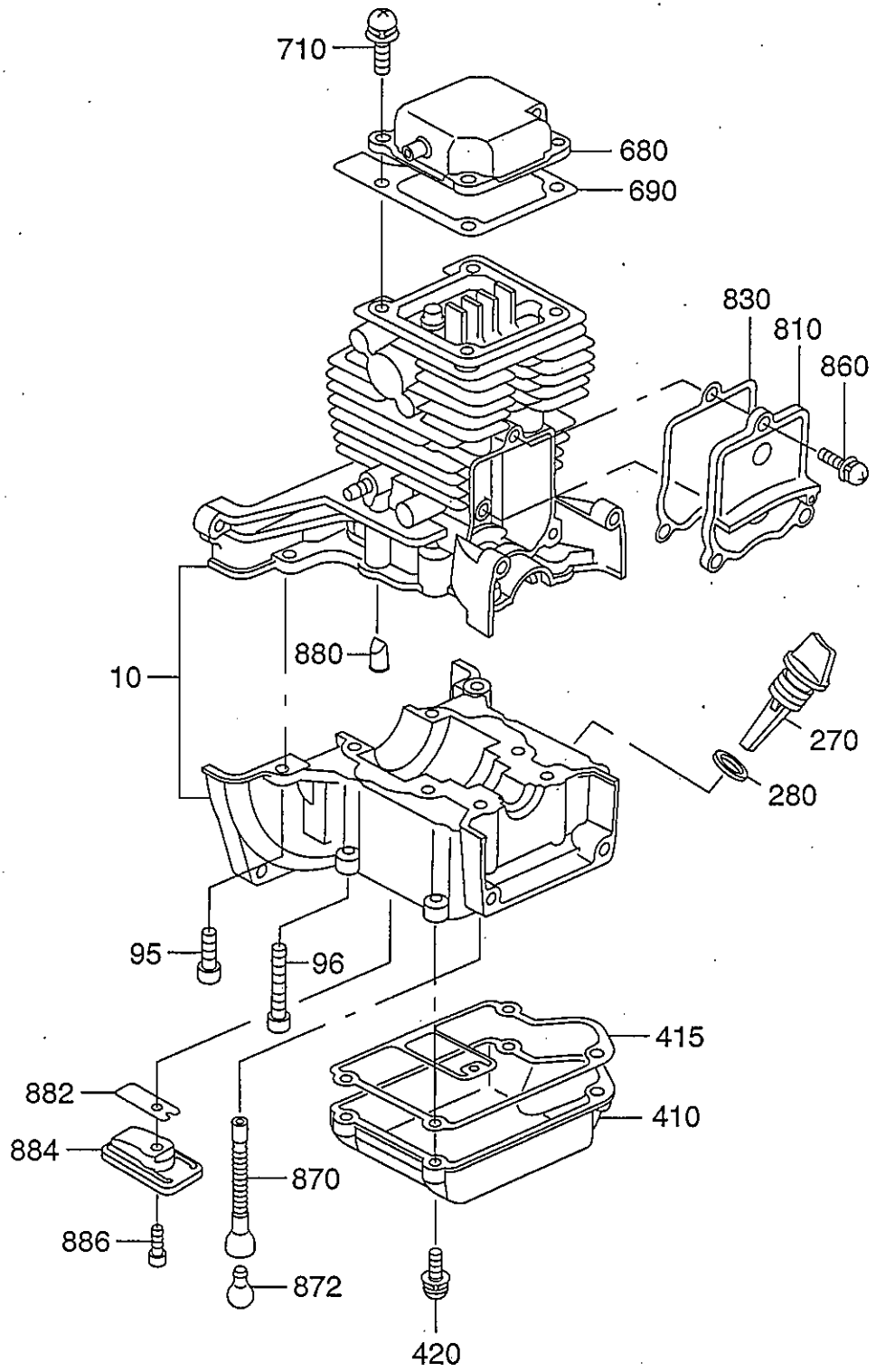




FIG. 200

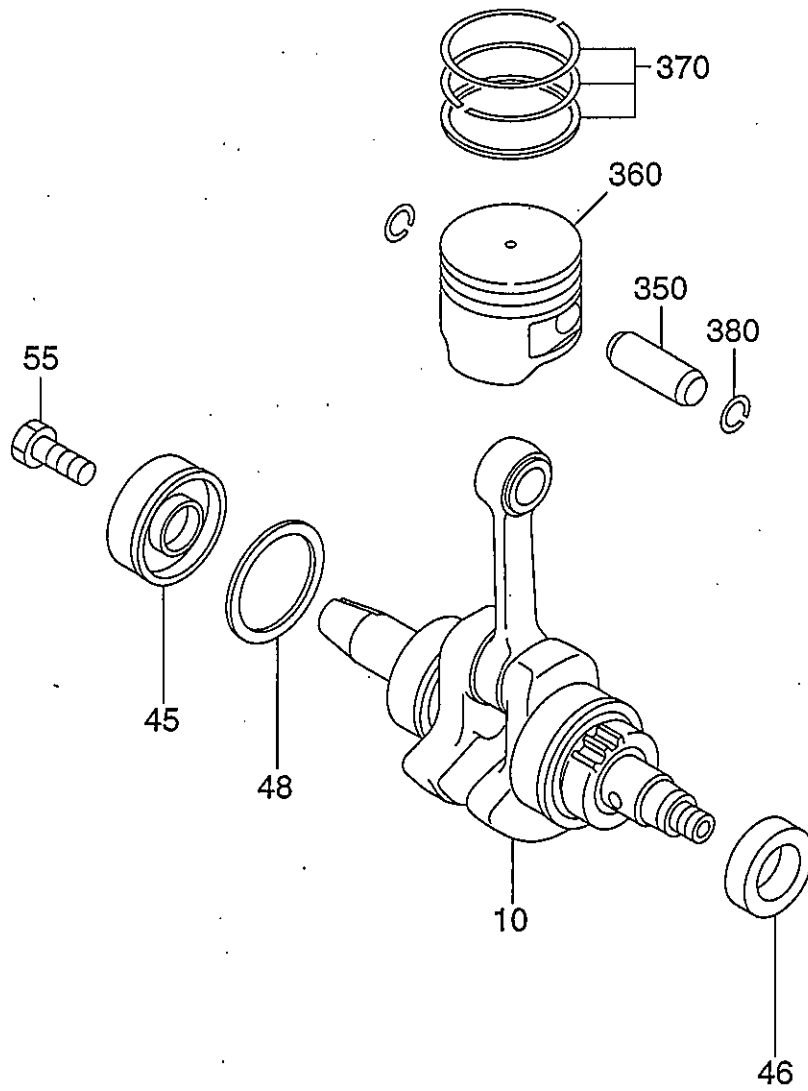
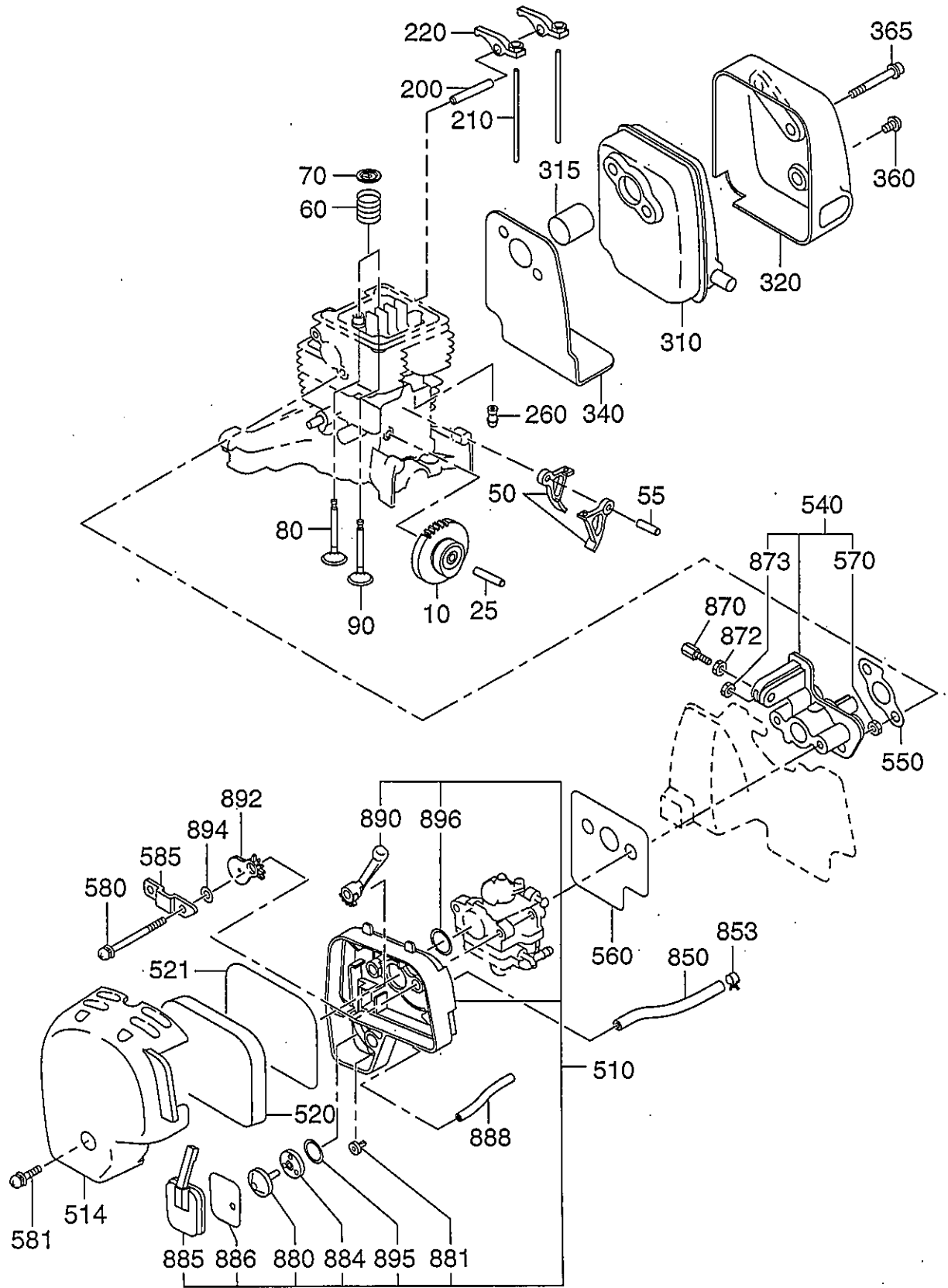




FIG. 300



3 INTAKE EXHAUST

REF. NO.	PART NUMBER		PART NAME		CODE NO. FROM - TO	QTY	REMARKS	INTERCHANGEABLE PART NUMBER	FIG. NO.
		PART NUMBER		SPEC. NO.					
10	593-30030-00		CAMGEAR AY		-	1			300
25	592-35005-01		SHAFT, CAMGEAR		-	1			300
50	592-35000-01-1		CAMLIFTER		-	2			300
55	592-35006-00		SHAFT, CAMLIFTER		-	2			300
60	593-35002-00		VALVE SPRING		-	2			300
70	593-35003-00		RETAINER, SPRING		-	2			300
80	593-35005-00		INTAKE VALVE		-	1			300
90	593-35004-00		EXHAUST VALVE		-	1			300
200	593-35001-00		ROCKER SHAFT		-	1			300
210	593-35000-00		PUSH ROD		-	2			300
220	593-30020-00		ROCKER ARM AY		-	2			300
260	592-15014-00		SPACER		-	2			300
310	592-30010-00-1		MUFFLER		-	1			300
315	592-30080-10		SPARK ARRESTER		-	1			300
320	592-35034-00		COVER, MUFFLER		-	1			300
340	592-35016-01		GASKET, MUFFLER		-	1			300
360	014-00599-62		SCREW		-	1			300
365	011-90595-20		SOCKET HEAD BOLT		-	2			300
510	593-30010-00		PLATE, CLEANER AY		-	1			300
514	593-35008-00		COVER, AIR CLEANER		-	1			300
520	593-35012-00-1		ELEMENT		-	1			300
521	593-35009-00		ELEMENT		-	1			300
540	592-30050-01		INSULATOR CP		-	1			300
550	592-35018-01		GASKET, INSULATOR		-	1			300
560	592-35019-00		GASKET, CARBURETOR		-	1			300
570	017-00599-80		NUT		-	2			300
580	592-35031-00		SCREW		-	2			300
581	014-00594-80		SCREW		-	1			300
585	592-35026-00		PLATE		-	1			300
850	593-15009-00		PIPE, BREATHER		-	1			300
853	056-10800-10		HOSE CLAMP		-	1	7.8DX6BX0.6T		300
870	014-90699-72		ADJUST SCREW		-	1			300
872	002-27060-00		NUT		-	1			300
873	002-27060-00		NUT		-	1			300
880	531-65007-01		CHECK VALVE		-	1			300
881	592-35024-00		CHECK VALVE(1)		-	1			300





FIG. 500

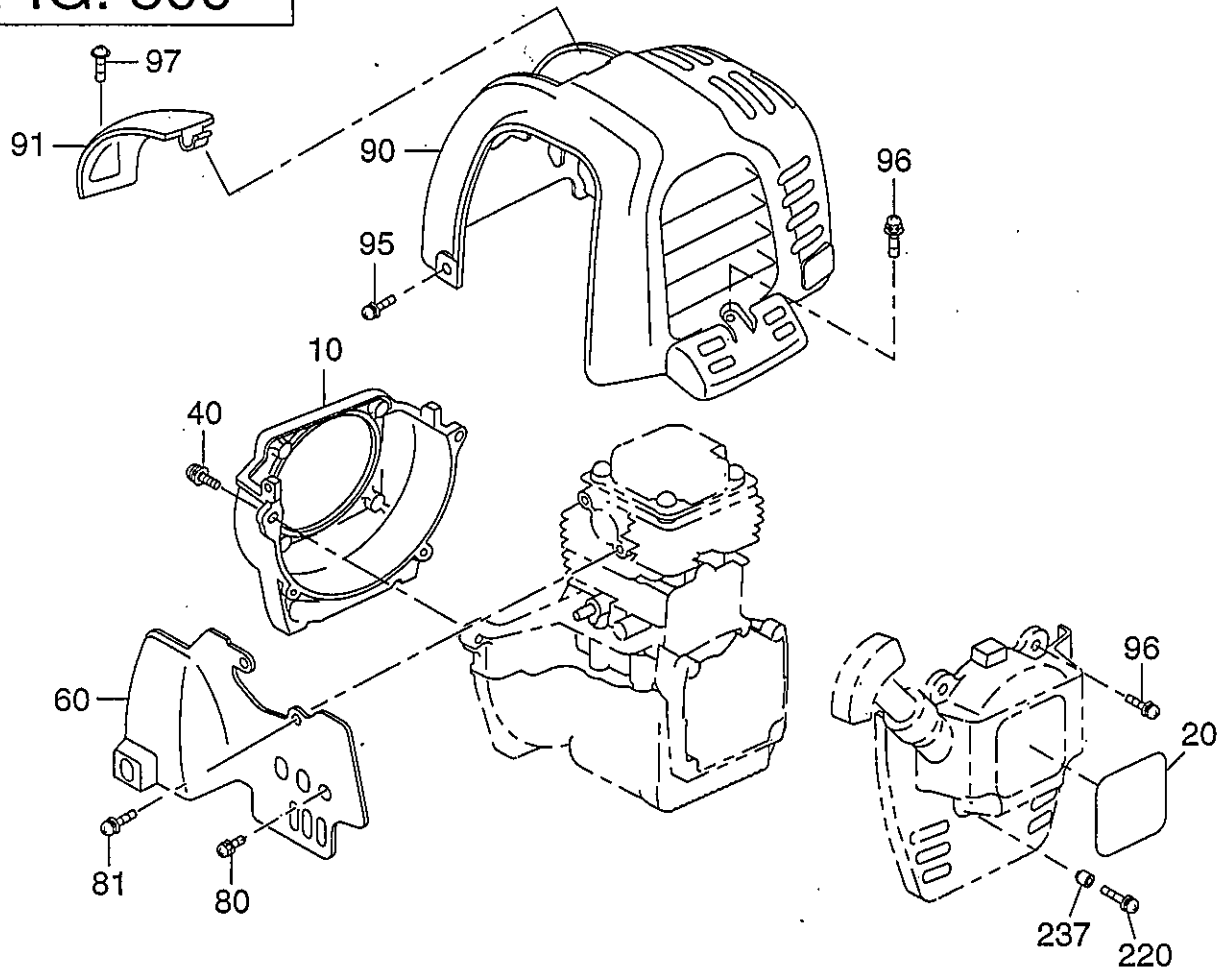


FIG. 520

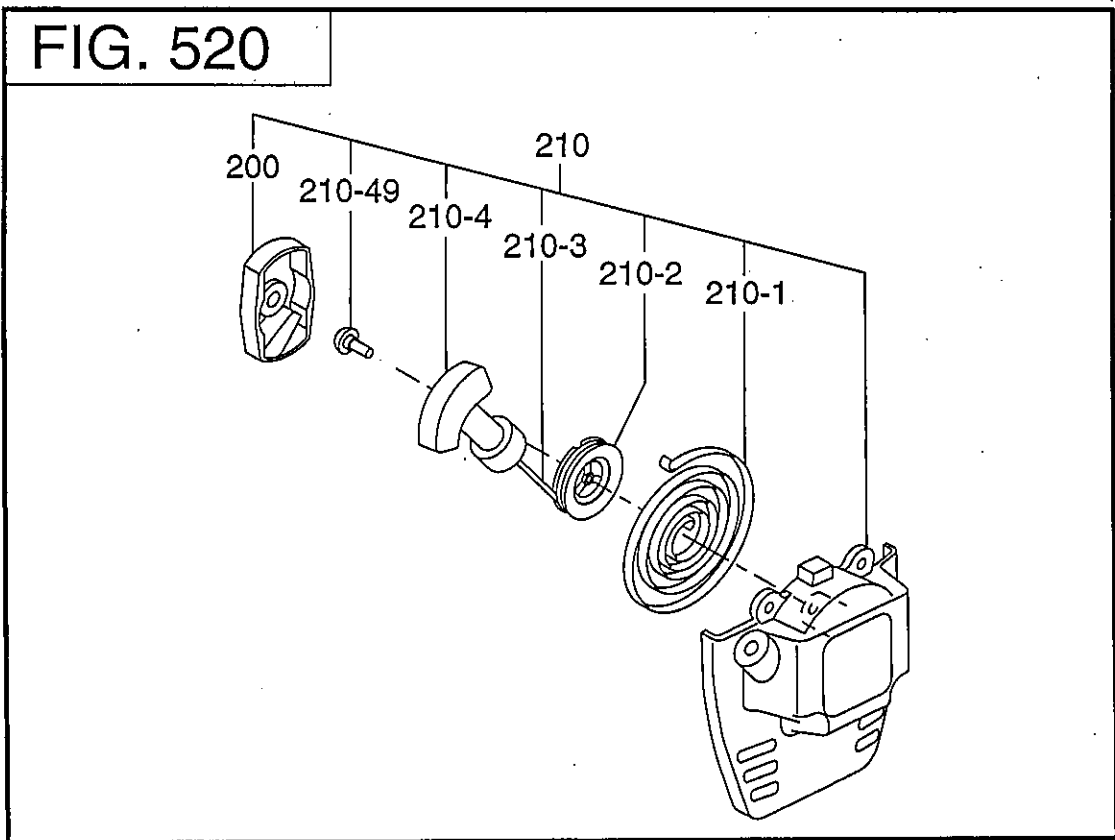




FIG. 600

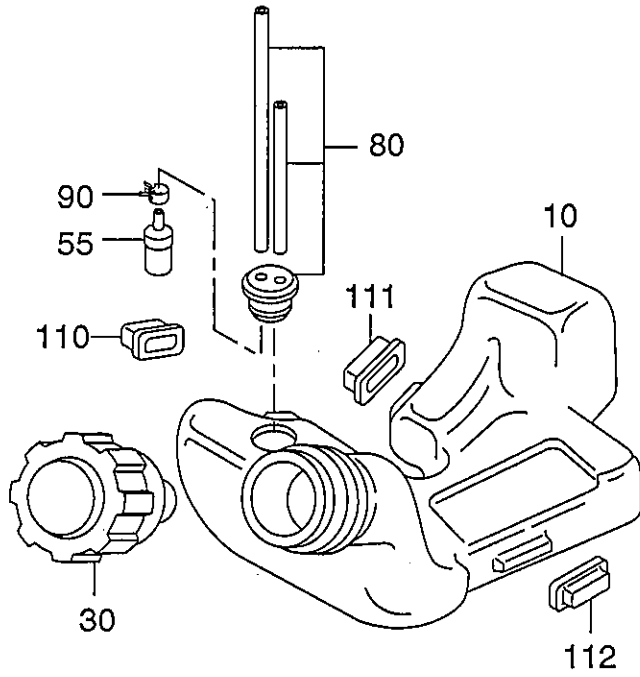


FIG. 640

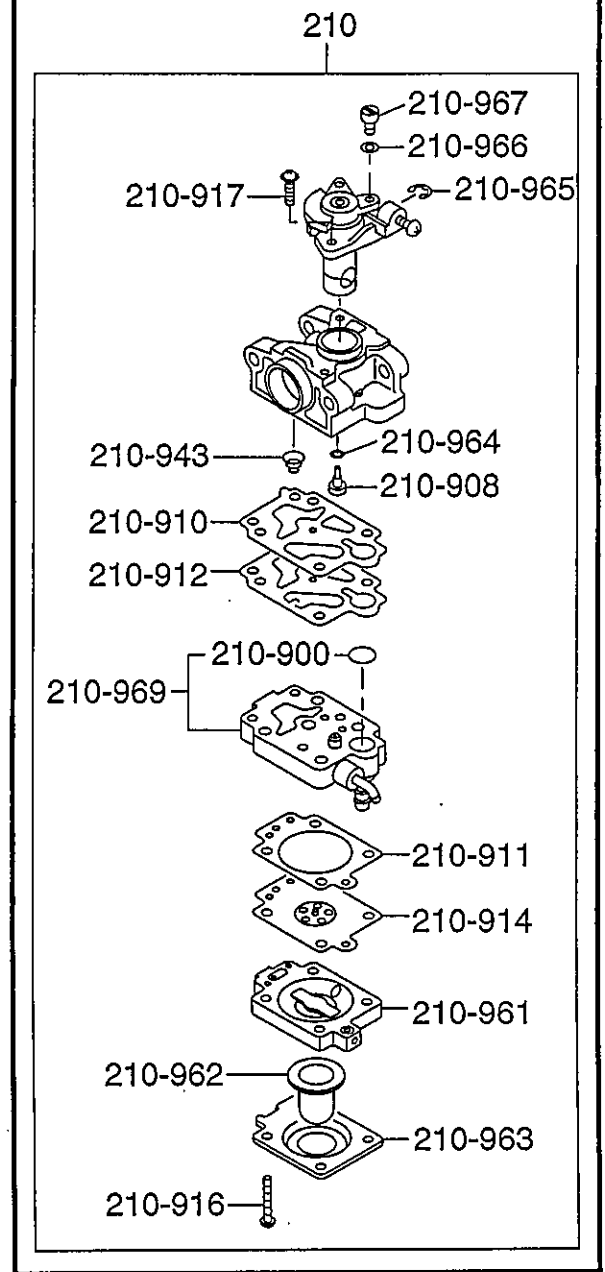




FIG. 700

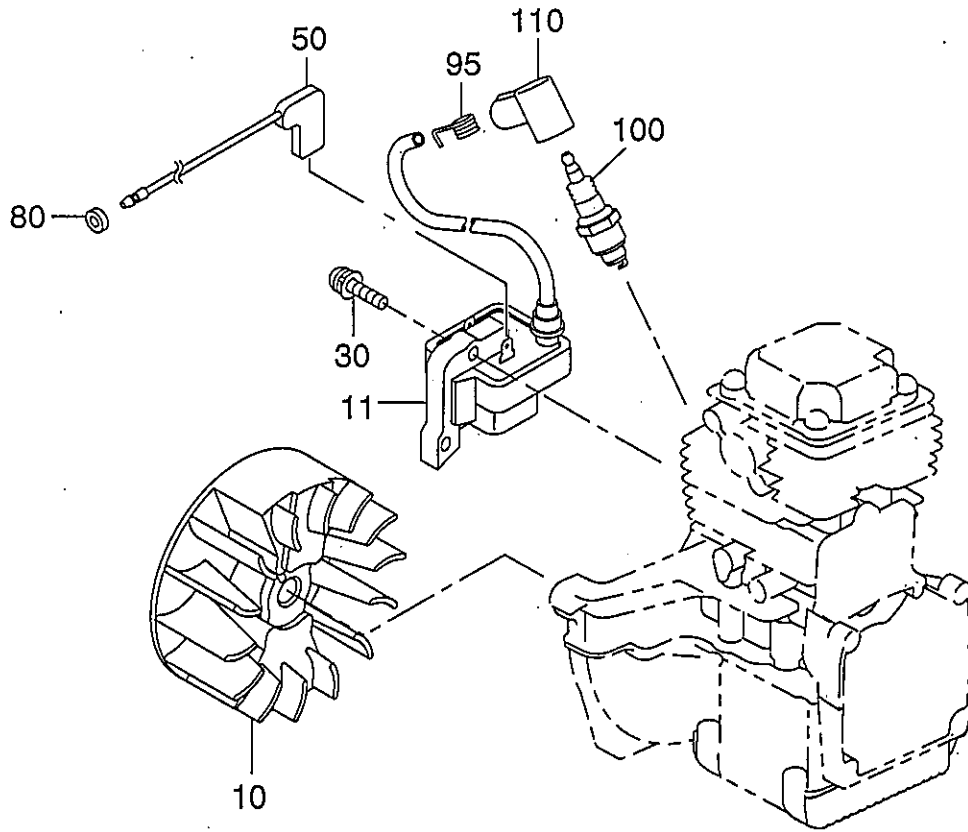




FIG. 800

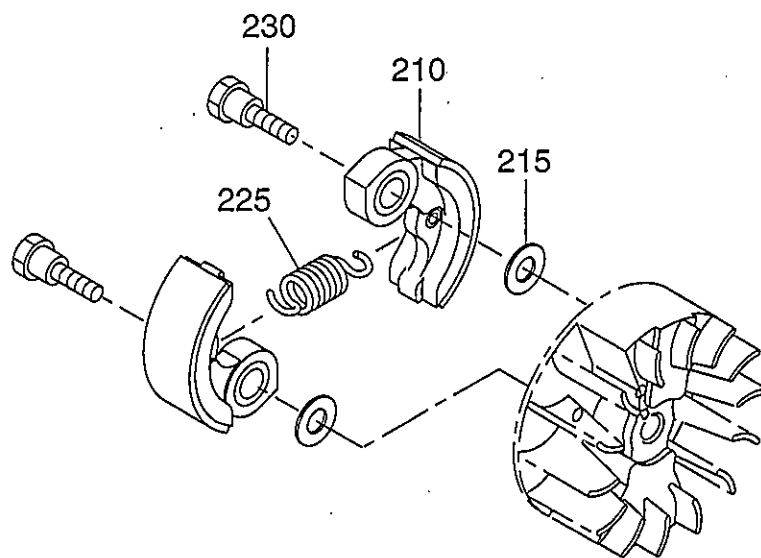






FIG. 900

