
Model EX21
for KART

PARTS CATALOG

Spec. No. EX210K80000

FIG. 100

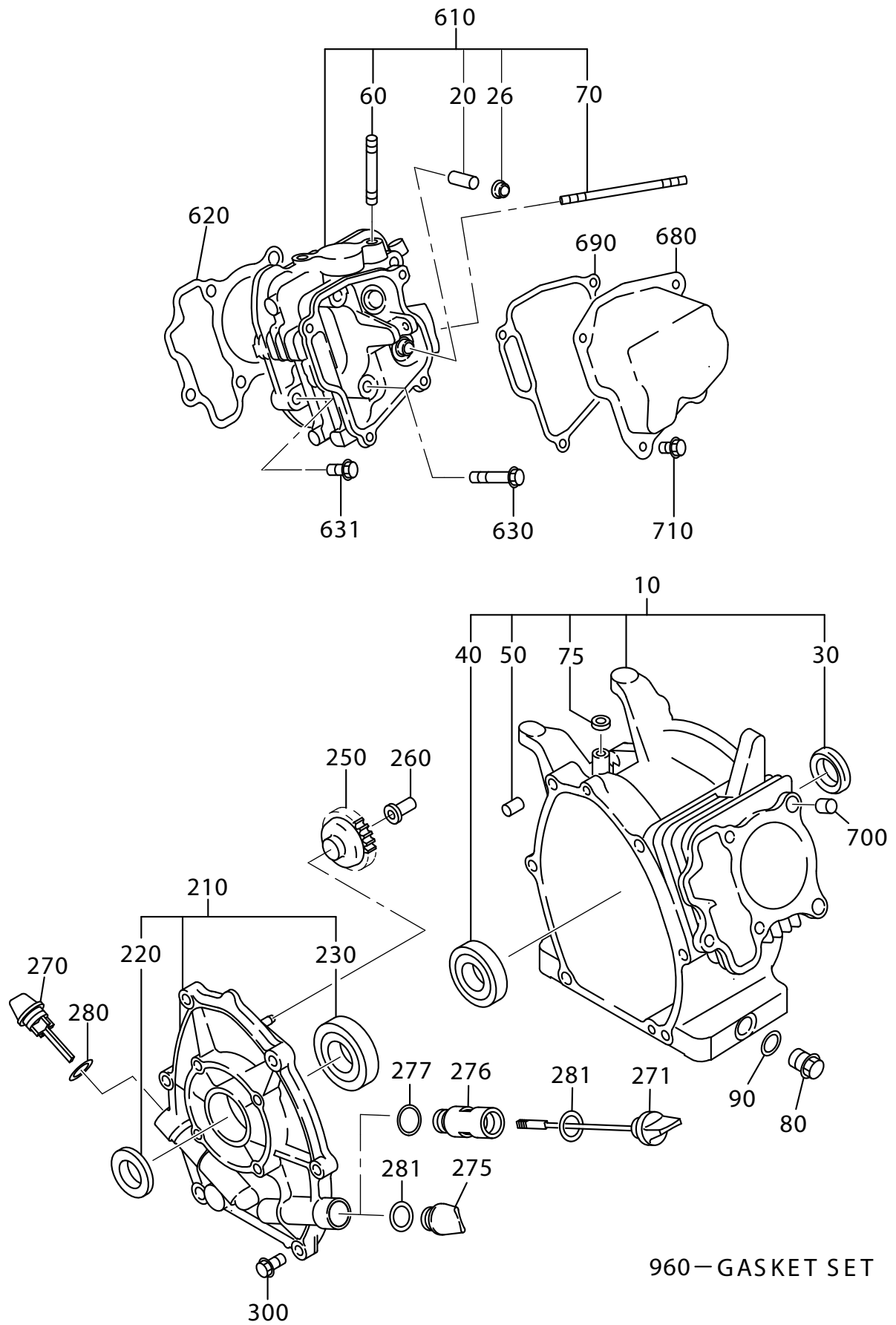


FIG. 200

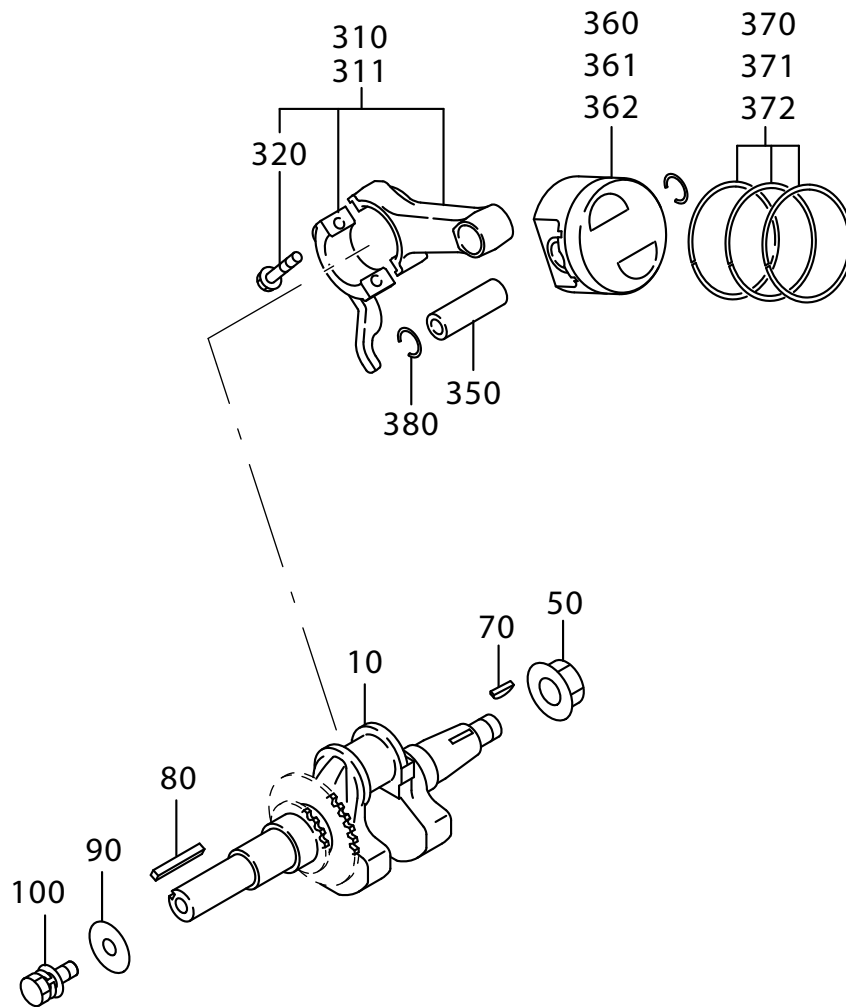


FIG. 300

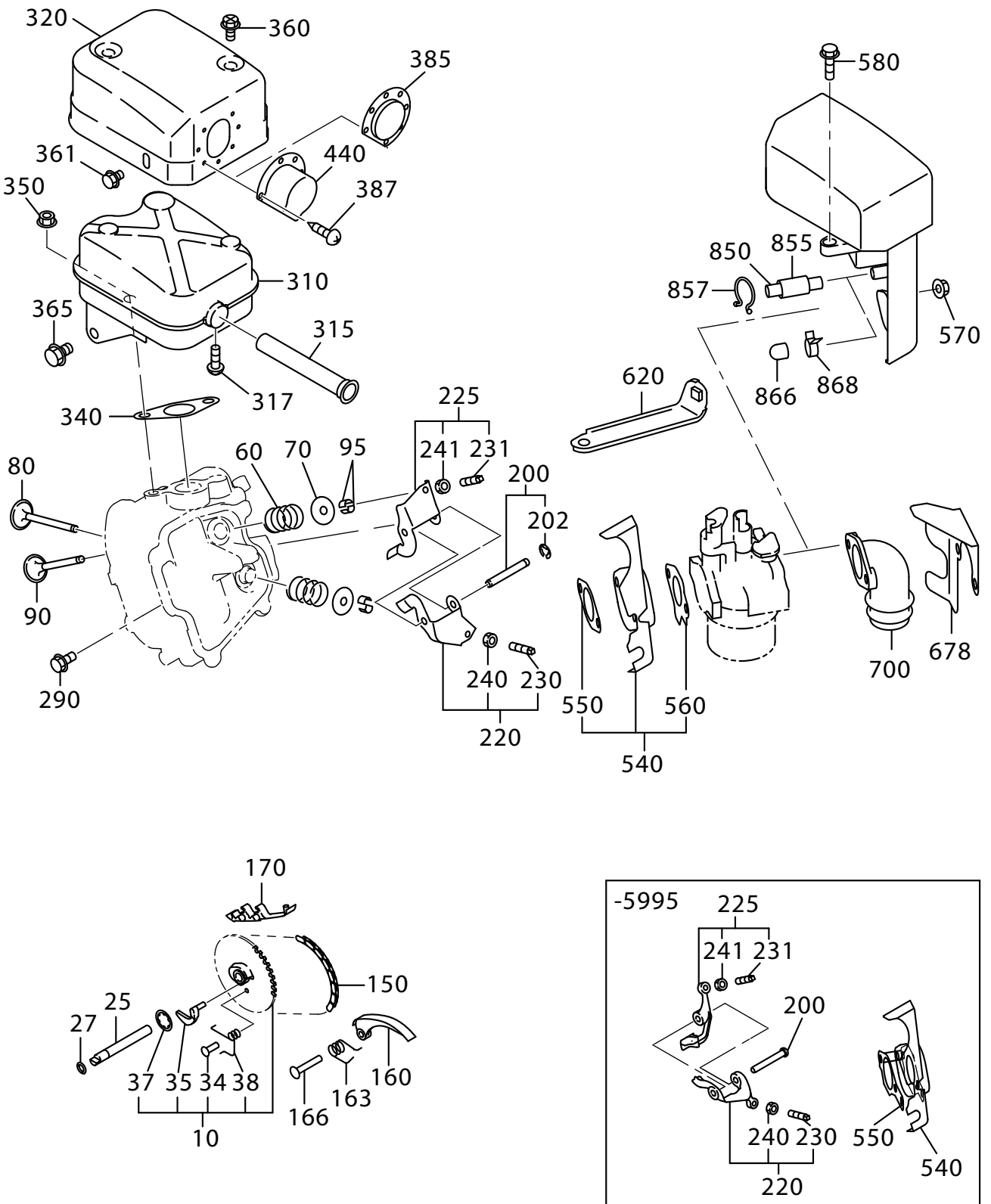
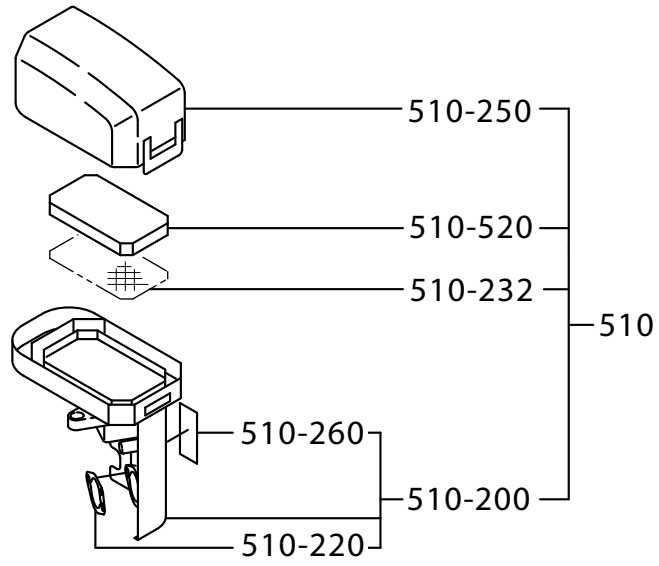
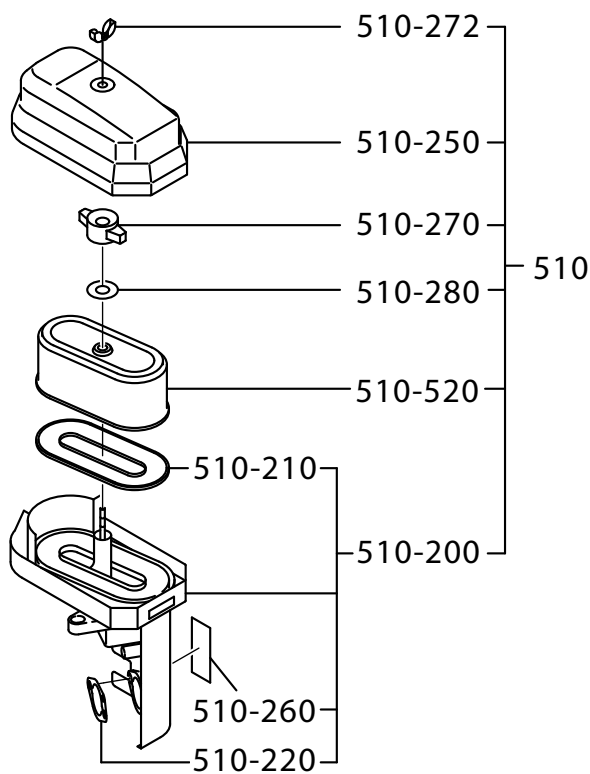


FIG. 315

URETHANE FOAM



DUAL ELEMENT



PRE CLEANER

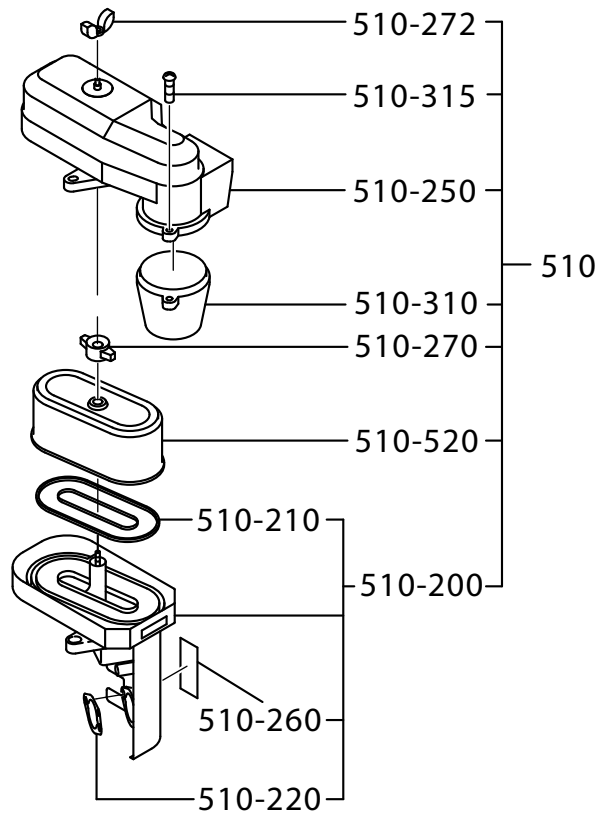


FIG. 400

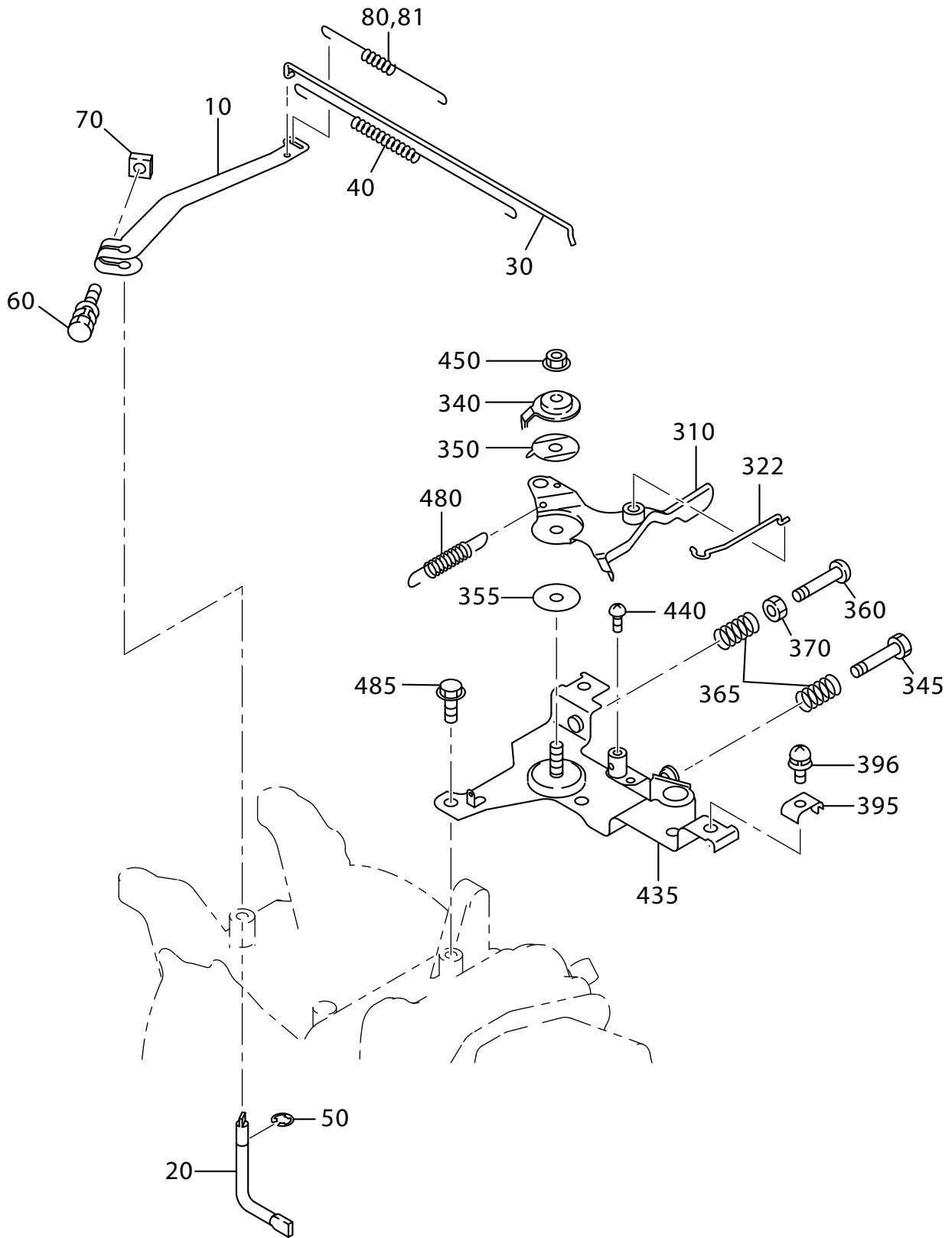


FIG. 500

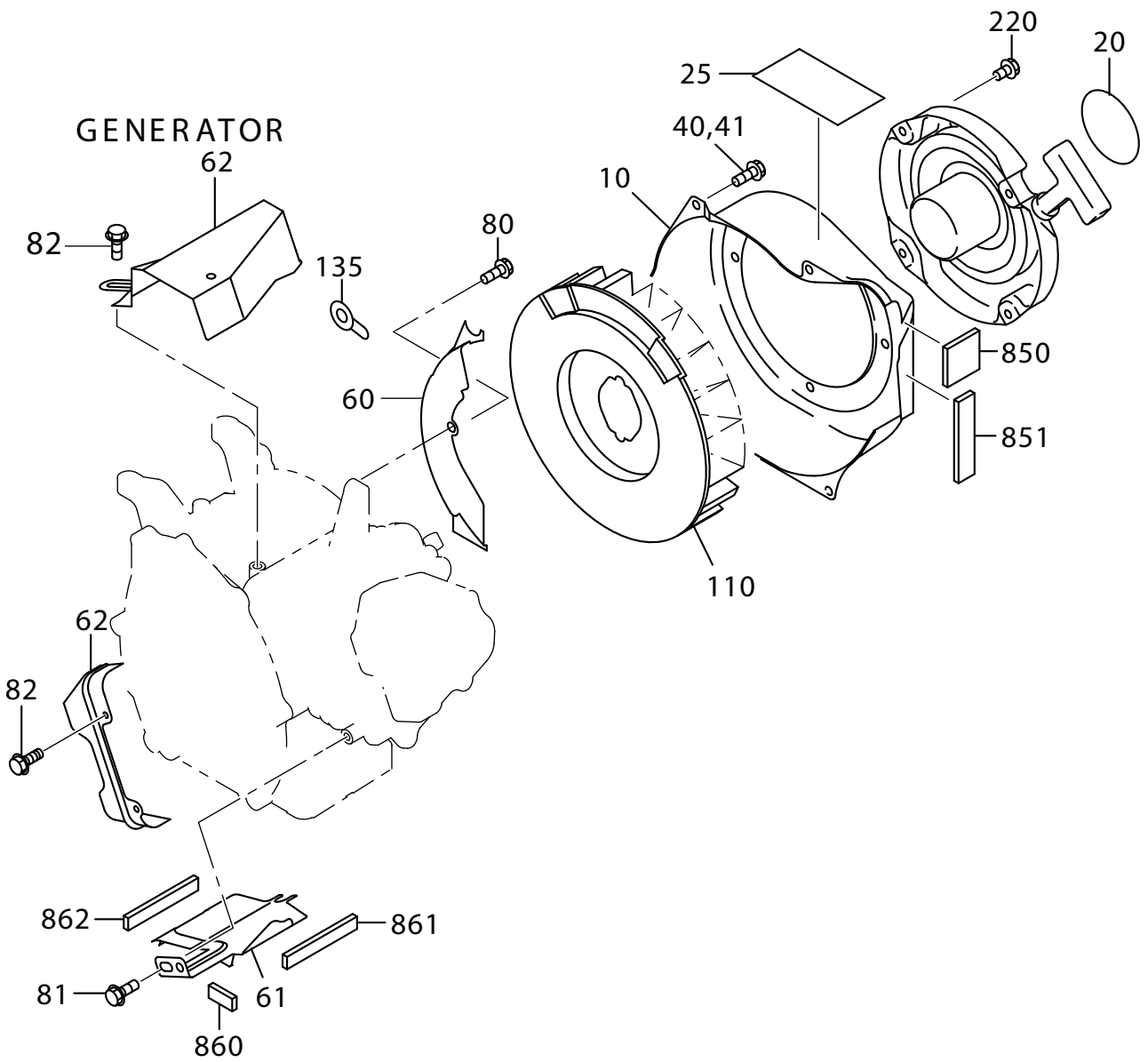


FIG. 600

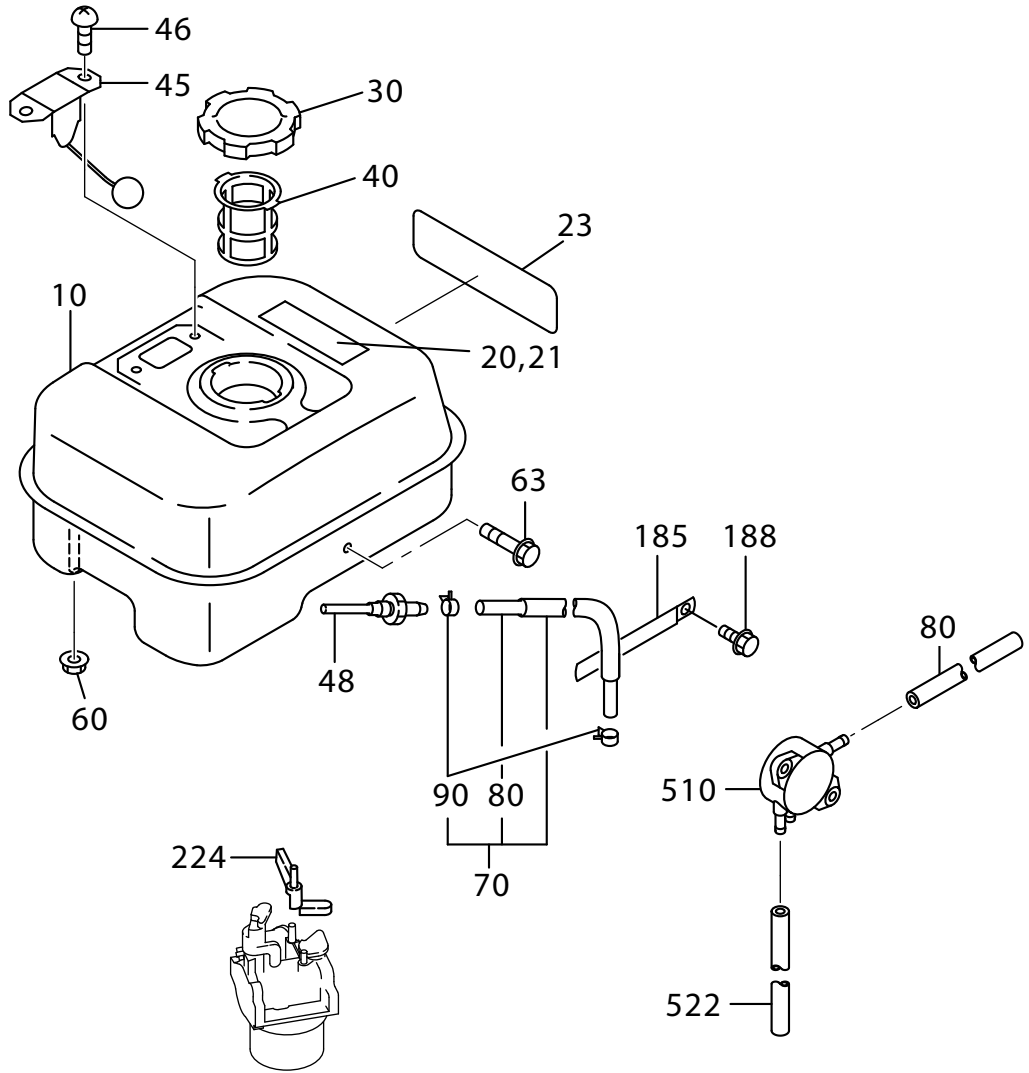
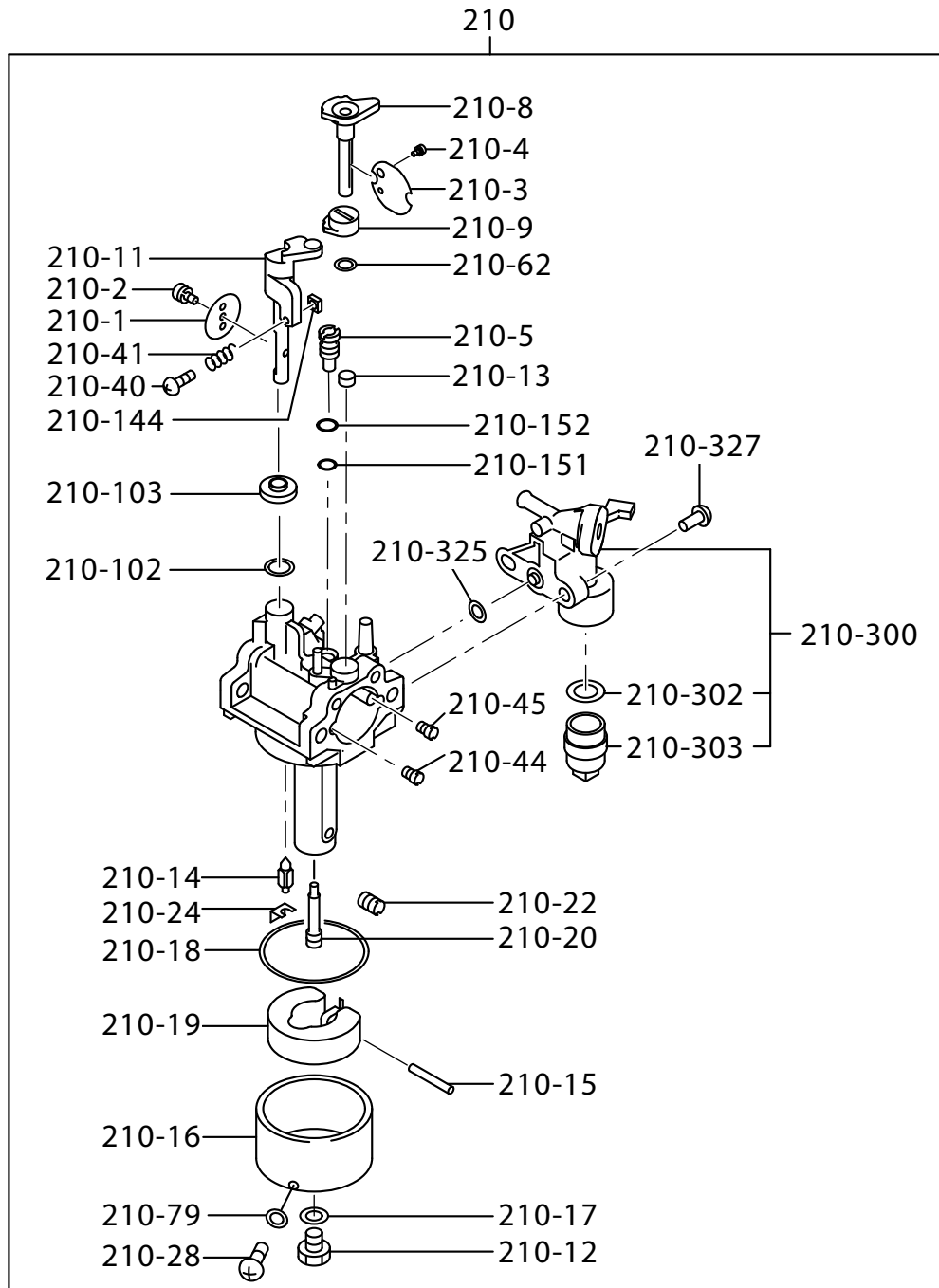


FIG. 640



6 FUEL LUBRICANT

REF.	PART NUMBER	PART NAME	QTY	R E M A R K S	CODE NO.	INTERCHANGE P/NO.	UNIT P	FIG.
210	279 -62362 -00	CARBURETOR AY	1		7153 -			640
	279 -62302 -40	CARBURETOR AY	1		-7152			640
- 1	279 -62536 -08	THROTTLE VALVE	1		7153 -			640
	279 -62535 -08	VALVE THROTTLE	1		-7152			640
- 2	209 -62351 -08	SCREW	1		7153 -			640
	251 -62450 -08	SCREW	2		-7152			640
- 3	279 -62527 -08	CHOKE VALVE	1		7153 -			640
	279 -62525 -08	VALVE CHOKE	1		-7152			640
- 5	279 -62421 -08	PILOT JET	1	#40	7153 -			640
	279 -62420 -08	JET SLOW	1	#40	-7152			640
- 8	279 -62522 -08	CHOKE LEVER	1		7153 -			640
	279 -62520 -08	SHAFT CHOKE	1		-7152			640
- 11	279 -62533 -08	THROTTLE SHAFT -A	1		7153 -			640
	279 -62530 -08	SHAFT SUB ASSY(TH)	1		-7152			640
- 12	150 -62358 -08	BOLT	1		7153 -			640
	251 -62453 -08	SCREW	1		-7152			640
- 14	224 -62305 -08	NEEDLE VALVE	1		7153 -			640
	279 -62500 -08	VALVE ASSY NEEDLE	1		-7152			640
- 15	214 -62515 -08	PIN	1		7153 -			640
	279 -62515 -08	PIN FLOAT LEVER	1		-7152			640
- 16	279 -62506 -08	FLOAT BODY -A	1		7153 -			640
	285 -62550 -08	FLOAT CHAMBER SUB AY	1		-7152			640
- 17	207 -62345 -08	INSERT WASHER	1		7153 -			640
	251 -62350 -08	GASKET	1		-7152			640
- 18	206 -62540 -08	PACKING	1		7153 -			640
	279 -62540 -08	GASKET CHAMBER	1		-7152			640
- 19	234 -62506 -08	FLOT -A	1		7153 -			640
	279 -62505 -08	FLOAT SUB ASSY	1		-7152			640
- 22	279 -62407 -08	MAIN JET	1	#90	7153 -			640
	279 -62401 -08	JET MAIN	1	#96	-7152			640
- 28	279 -62361 -08	BOLT	1		7153 -			640
	285 -62551 -08	DRAIN SCREW	1		-7152			640
- 40	106 -62556 -08	SCREW	1		7153 -			640
	279 -62353 -18	SCREW ADJUSTING	1		-7152			640
- 41	283 -62357 -08	SPRING	1		7153 -			640
	279 -62445 -08	SPRING	1		-7152			640
- 79	279 -62541 -08	WASHER	1		7153 -			640
	285 -62552 -08	GASKET	1		-7152			640
-102	246 -62390 -08	SEAL	1		7153 -			640
	279 -62561 -08	BUSH	1		-7152			640

FIG. 700

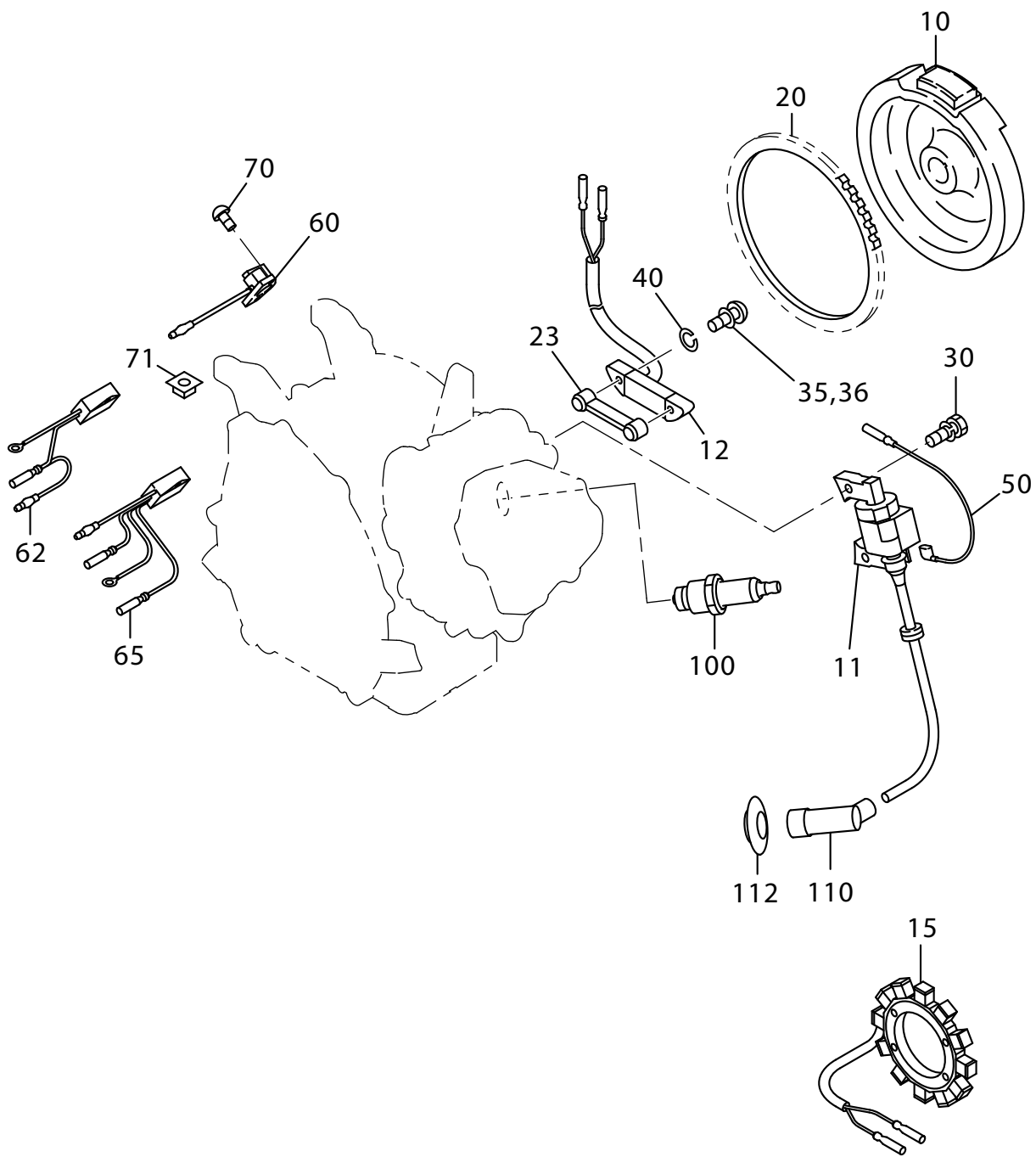


FIG. 900

