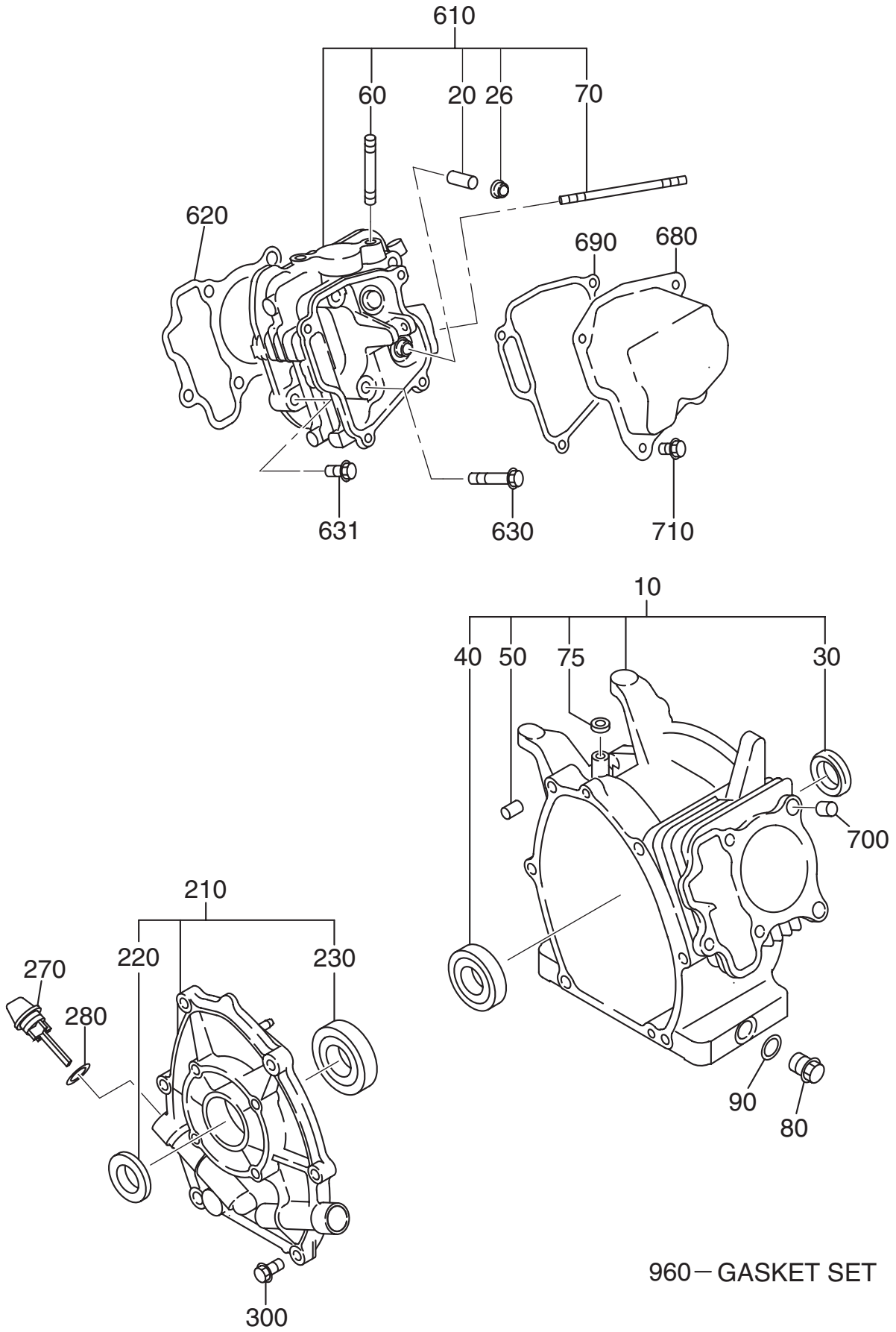

Model **EX21**

for **KART**

PARTS CATALOG

Spec. No. EX210KS8030

FIG. 100



960 - GASKET SET

FIG. 200

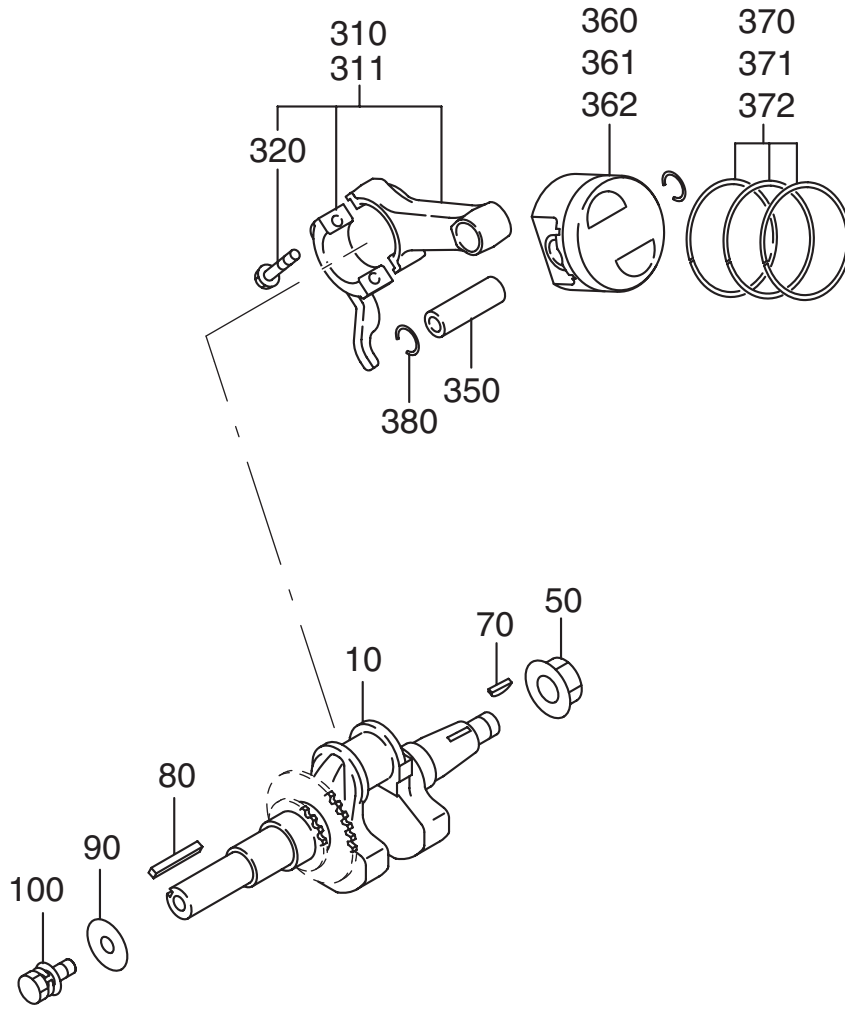
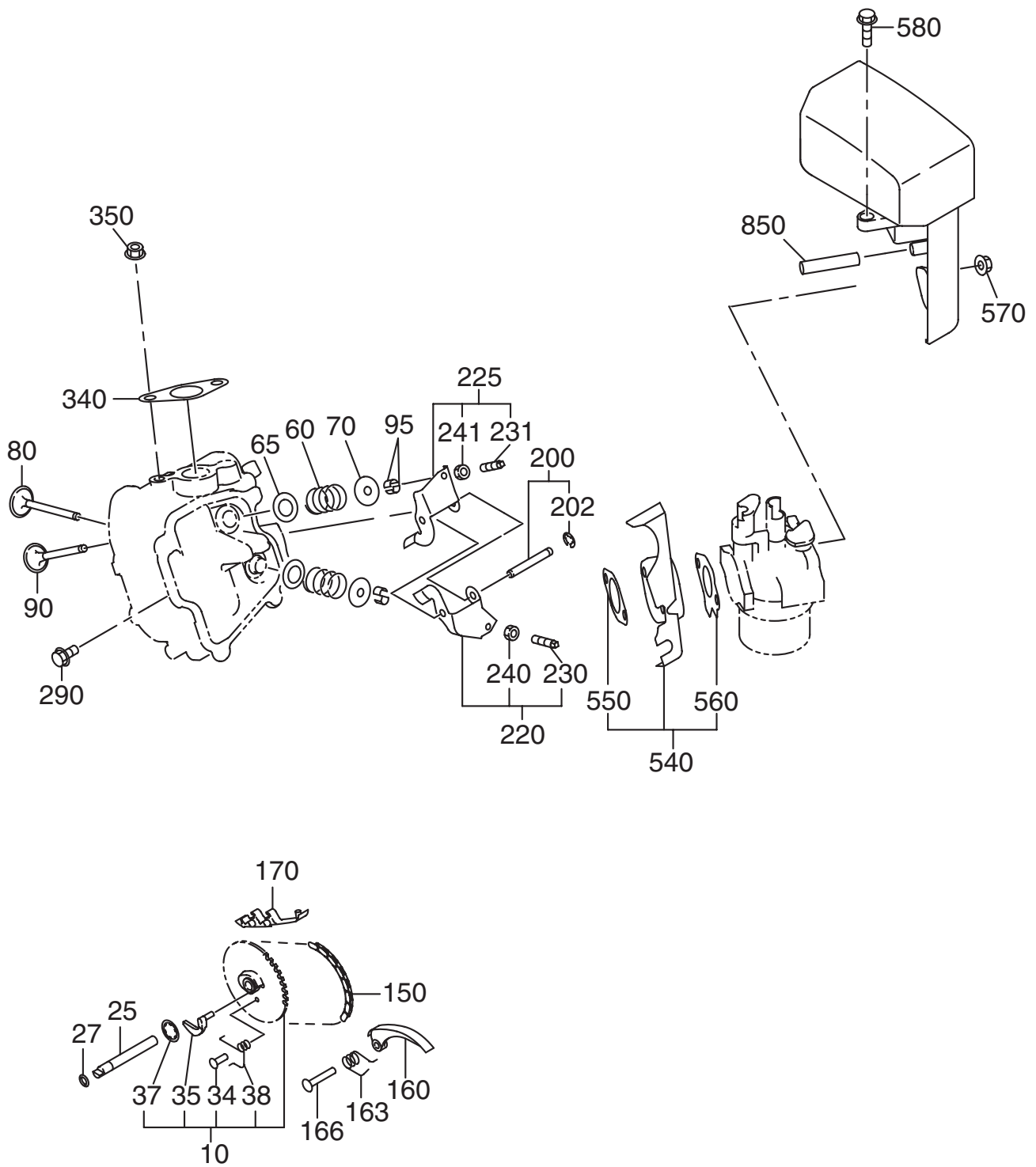


FIG. 300

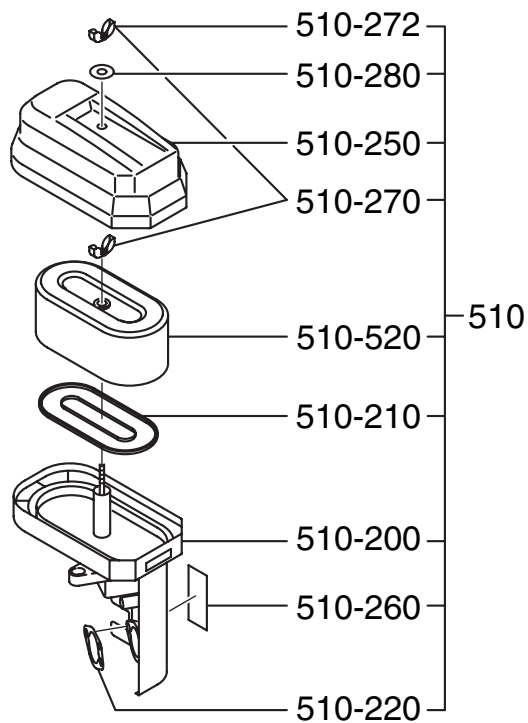


3 INTAKE EXHAUST

REF.	PART NUMBER	PART NAME	QTY	R E M A R K S	CODE NO.	INTERCHANGE P/NO.	UNIT P	FIG.
10	278-31602-01	CAM SHAFT CP	1	85DX2. 9B N=40	-			300
25	277-35101-03	PIN(CAM SHAFT)	1	9DX78. 5L	-			300
27	024-00600-10	O RING	1	5. 8DX9. 6D	-			300
34	277-38601-03	PIN(SPRING)	1	4DX8DX9L	-			300
35	277-36401-03	RELEASE LEVER	1		-			300
37	278-38801-03	SPACER CAM	1		-			300
38	277-38702-03	RETURN SPRING	1	5. 1DX0. 6DX4. 4L N=7	-			300
60	279-33601-03	VALVE SPRING	2	19. 2DX2. 3DX27. 4L	-			300
65	278-38802-03	SPACER SPRING	2		-			300
70	269-33701-03	SPRING RETAINER	2		-			300
80	279-33401-H3	INTAKE VALVE	1	28. 5DX5. 5DX67. 8L	-			300
90	279-33501-H3	EXHAUST VALVE	1	26. 5DX5. 5DX67. 8L	-			300
95	132-10KA0-31	COLLET-VALVE	4		-			300
150	278-35601-11	TIMING CHAIN CP	1	92 LINK	-			300
160	277-36911-03	TENTIONER	1		-			300
163	277-37101-03	SPRING (TENTIONER)	1	10DX1. 8DX14L N=4. 5	-			300
166	277-36902-03	PIN(TENTIONER)	1	6DX13DX34L	-			300
170	277-36913-13	CHAIN GUIDE	1		-			300
200	277-35004-01	PIN(ROCKER) CP	1		7853-			300
	277-35003-03	PIN(ROCKER)	1		7731-7852			300
	277-35002-01	PIN(ROCKER) CP	1	6DX46L	-7730			300
202	003-13050-00	CLIP	1	5DX11DX0. 6T	-			300
220	277-36201-00	ROCKER ARM(IN) AY	1		-			300
225	277-36202-00	ROCKER ARM(EX) AY	1		-			300
230	014-90500-20	ADJUST SCREW	1	M5X0. 5X23L	-			300
231	014-90500-20	ADJUST SCREW	1	M5X0. 5X23L	-			300
240	017-00500-30	NUT	1	M5X0. 5X4. 1H	-			300
241	017-00500-30	NUT	1	M5X0. 5X4. 1H	-			300
290	011-00600-20	FLANGE BOLT	1	M6X1. 0X14DX12L	-			300
340	277-35201-13	GASKET (MUFFLER)	1	T=0. 2 26D 9DX58P	-			300
350	980-20082-80	FLANGE NUT	2	M8X1. 25X17DX7. 5H	-			300
540	279-32905-H0	INSULATOR AY	1		-			300
550	279-35903-J3	GASKET2 (INSULATOR)	1	T=0. 5	-			300
560	279-35902-J3	GASKET1 (INSULATOR)	1	T=0. 5	-			300
570	002-38060-00	FLANGE NUT	2	M6X1. 0X13DX6H	-			300
580	011-00600-50	FLANGE BOLT	1	M6X1. 0X13DX20L	-			300
850	279-32760-08	RUBBER PIPE	1	8DX11DX115L	-	085-10800-00		300

FIG. 315

DUAL ELEMENT



3 INTAKE EXHAUST

REF.	PART NUMBER	PART NAME	QTY	R E M A R K S	CODE NO.	INTERCHANGE P/NO.	UNIT P	FIG.
510	279-32615-60	AIR CLEANER AY	1	DUAL	7702-			315
	279-32615-50	AIR CLEANER AY	1	DUAL	7579-7701	279-32615-60		315
	279-32615-40	AIR CLEANER AY	1	DUAL	-7578	279-32615-50		315
-200	279-32634-38	ELBOW COMP, AIR/C	1		7702-			315
	279-32634-28	ELBOW COMP, AIR/C	1		-7701			315
-210	279-32720-08	PACKING	1		-			315
-220	279-32650-18	GASKET	1		-			315
-250	279-32643-18	COVER	1		-			315
-260	279-32730-08	LABEL	1		-			315
-270	279-32740-08	NUT	1		7579-			315
	279-32740-08	NUT	2		-7578			315
-272	279-32741-08	NUT	1		7579-			315
-520	279-32607-17	ELEMENT SET	1	DUAL	7579-			315
	279-32607-07	ELEMENT SET	1	DUAL	-7578			315

FIG. 400

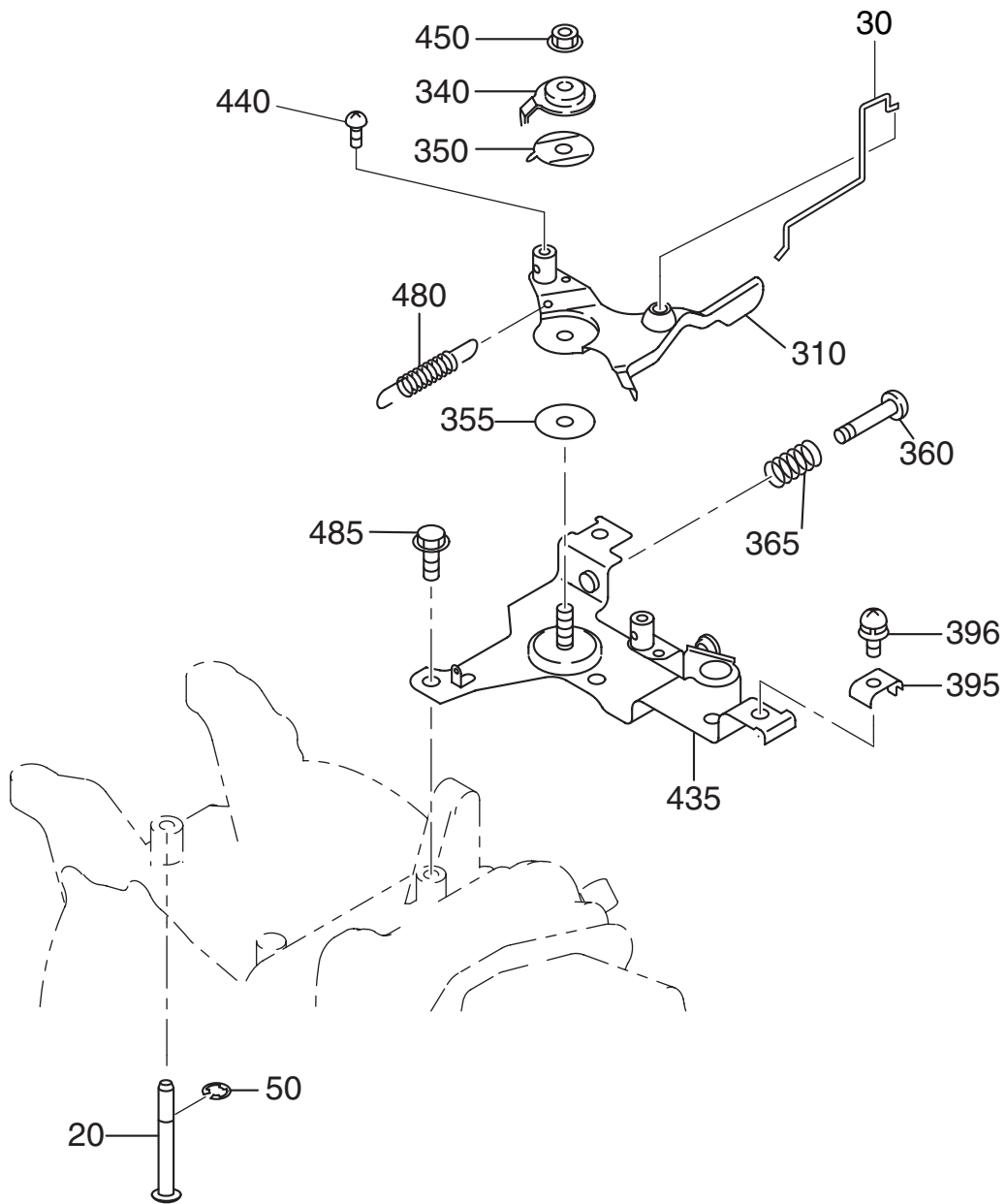


FIG. 500

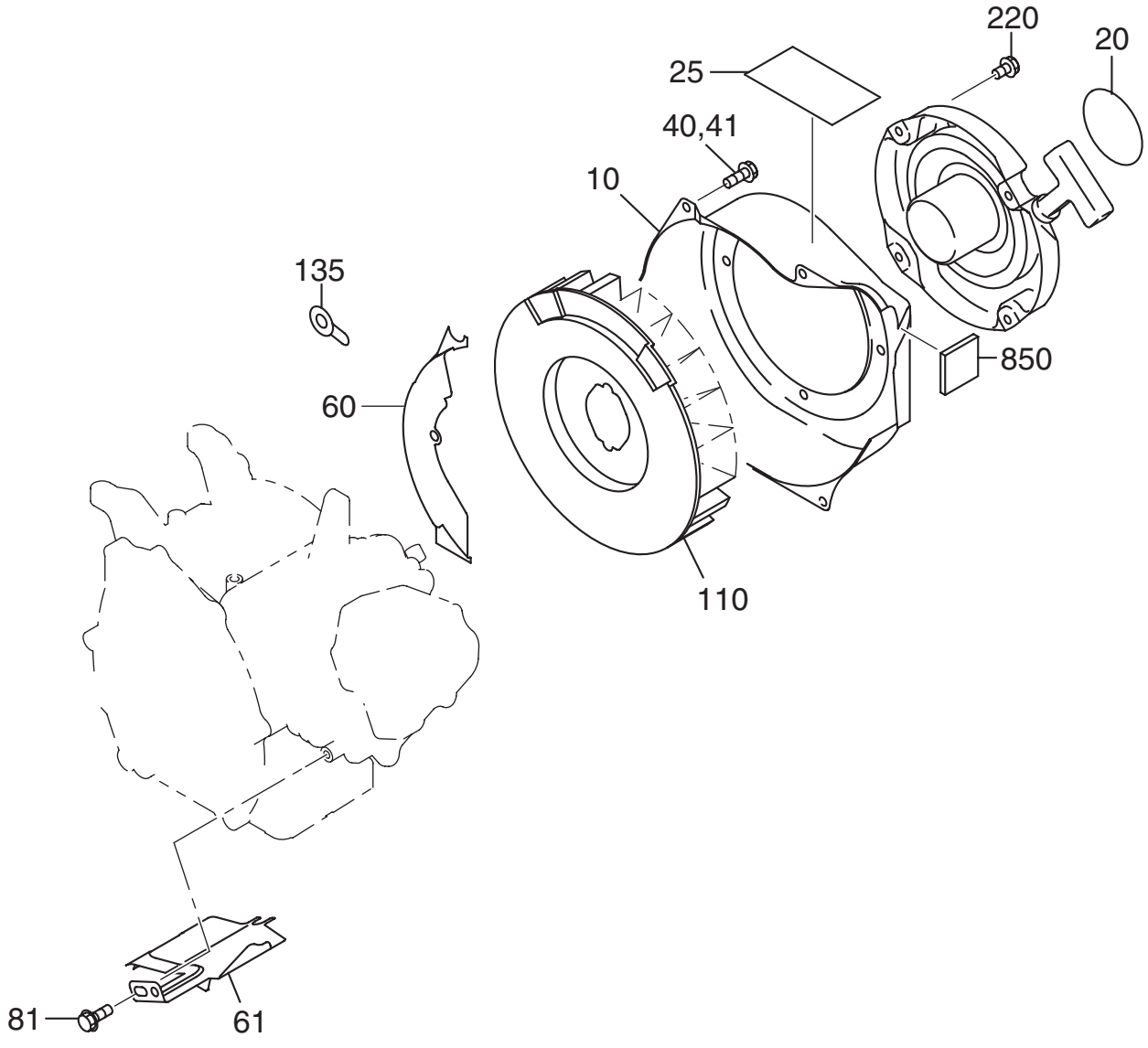


FIG. 520

RESIN

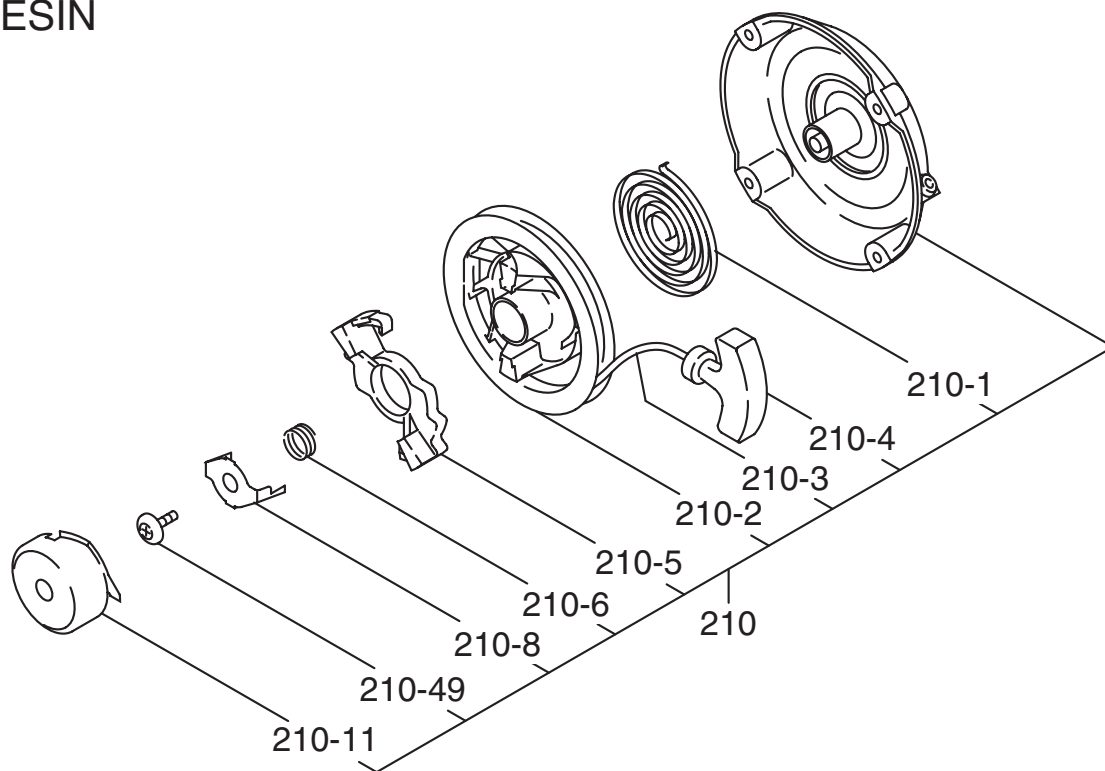


FIG. 600

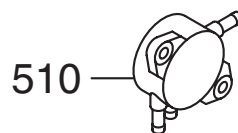
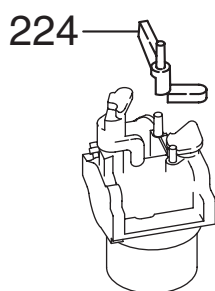
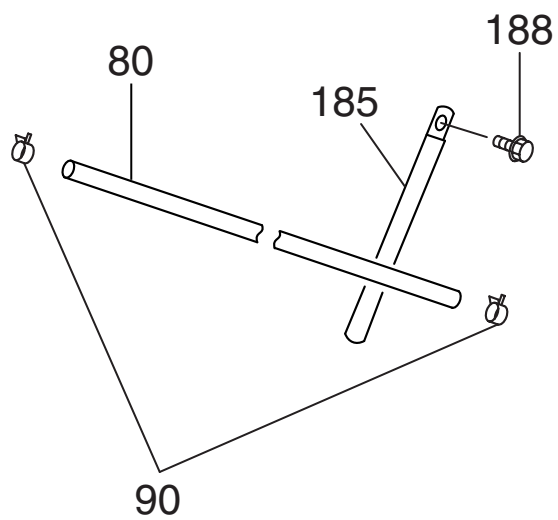
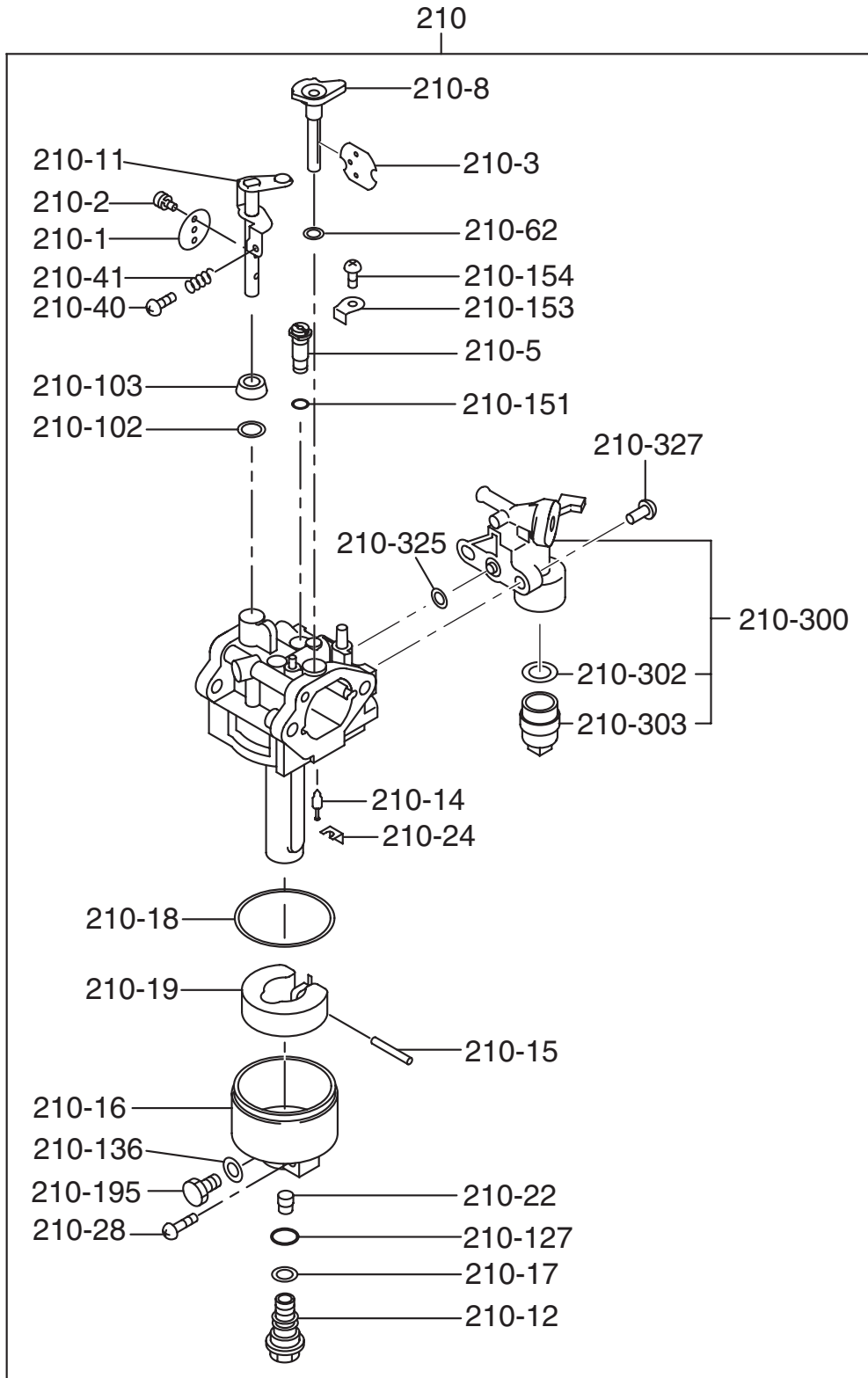


FIG. 642



6 FUEL LUBRICANT

REF.	PART NUMBER	PART NAME	QTY	R E M A R K S	CODE NO.	INTERCHANGE P/NO.	UNIT P	FIG.
210	278-62351-00	CARBURETOR AY	1		-			642
- 1	279-62536-08	THROTTLE VALVE	1		-			642
- 2	209-62351-08	SCREW	2		-			642
- 3	279-62527-08	CHOKE VALVE	1		-			642
- 5	279-62421-08	PILOT JET	1	#40	-			642
- 8	279-62522-08	CHOKE LEVER	1		-			642
- 11	279-62533-08	THROTTLE SHAFT-A	1		-			642
- 12	278-62451-08	JET HOLDER	1		-			642
- 14	224-62305-08	NEEDLE VALVE	1		-			642
- 15	214-62515-08	PIN	1		-			642
- 16	278-62505-08	FLOAT BODY-A	1		-			642
- 17	248-62451-08	WASHER	1		-			642
- 18	206-62540-08	PACKING	1		-			642
- 19	234-62506-08	FLOT-A	1		-			642
- 22	277-62405-08	MAIN JET	1	#83.8	-			642
- 24	226-62701-18	CLIP	1		-			642
- 28	214-62454-08	SCREW	1		-			642
- 40	106-62556-08	SCREW	1		-			642
- 41	283-62357-08	SPRING	1		-			642
- 62	236-62680-08	SEAL	1		-			642
-102	246-62390-08	SEAL	1		-			642
-103	279-62551-08	RING	1		-			642
-127	242-62313-08	O-RING	1		-			642
-136	209-62346-08	WASHER	1		-			642
-151	106-62384-08	O-RING	1		-			642
-153	279-62360-08	PLATE	1		-			642
-154	279-62351-08	SCREW	1		-			642
-195	278-62450-08	BOLT	1		-			642
-300	279-62103-10	COCK BODY-A	1		-			642
-302	277-62110-18	PACKING	1		-			642
-303	277-62100-18	CUP	1		-			642
-325	277-62552-08	O-RING	1		-			642
-327	165-62377-08	SCREW	2		-			642

FIG. 700

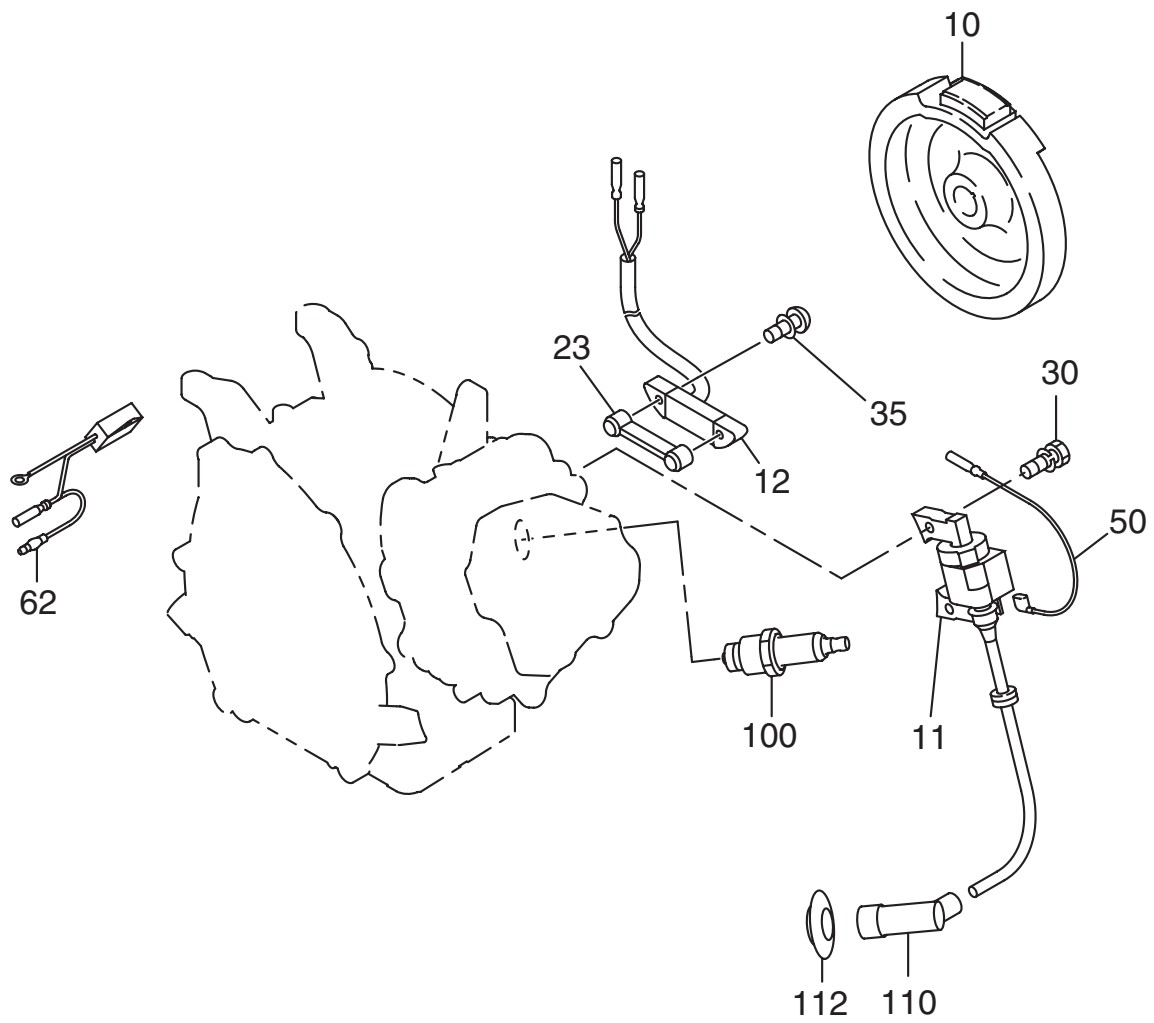


FIG. 720

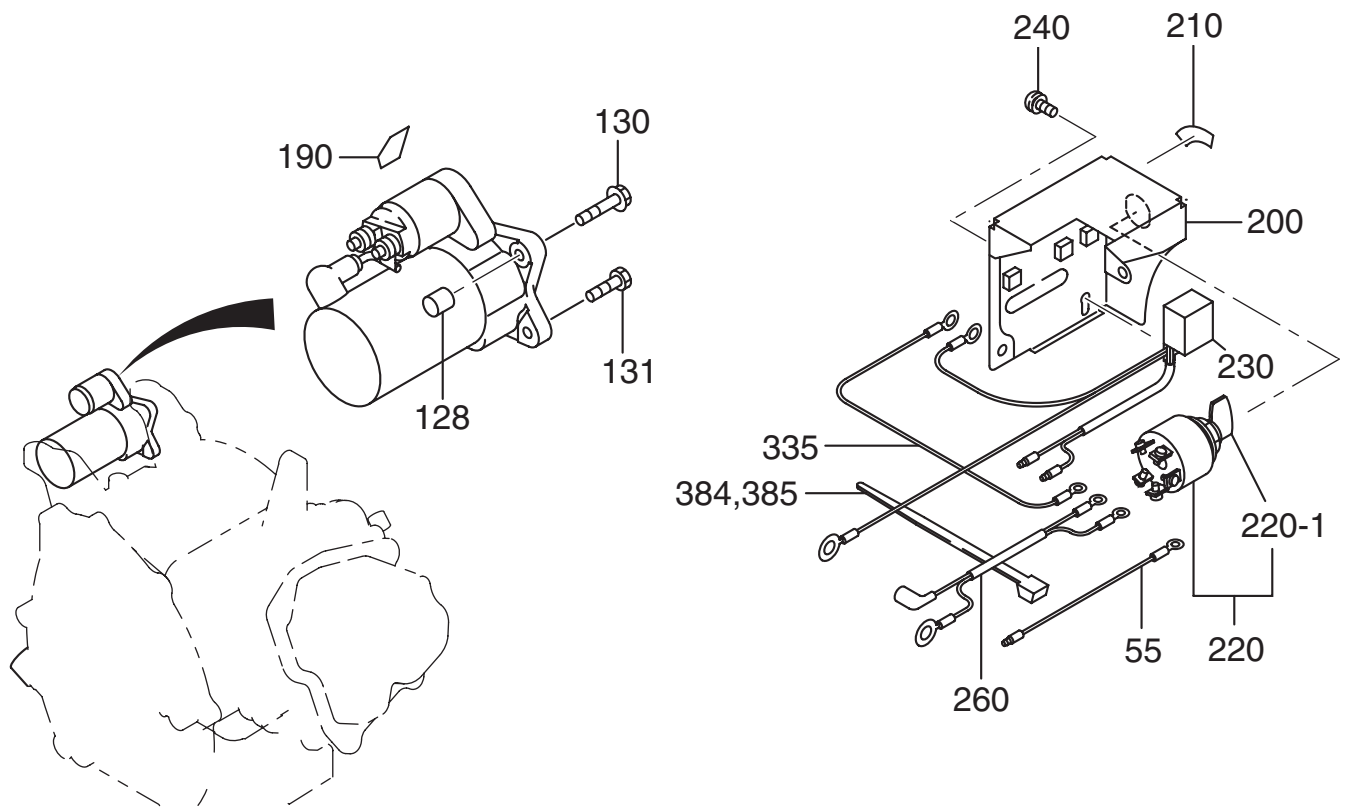
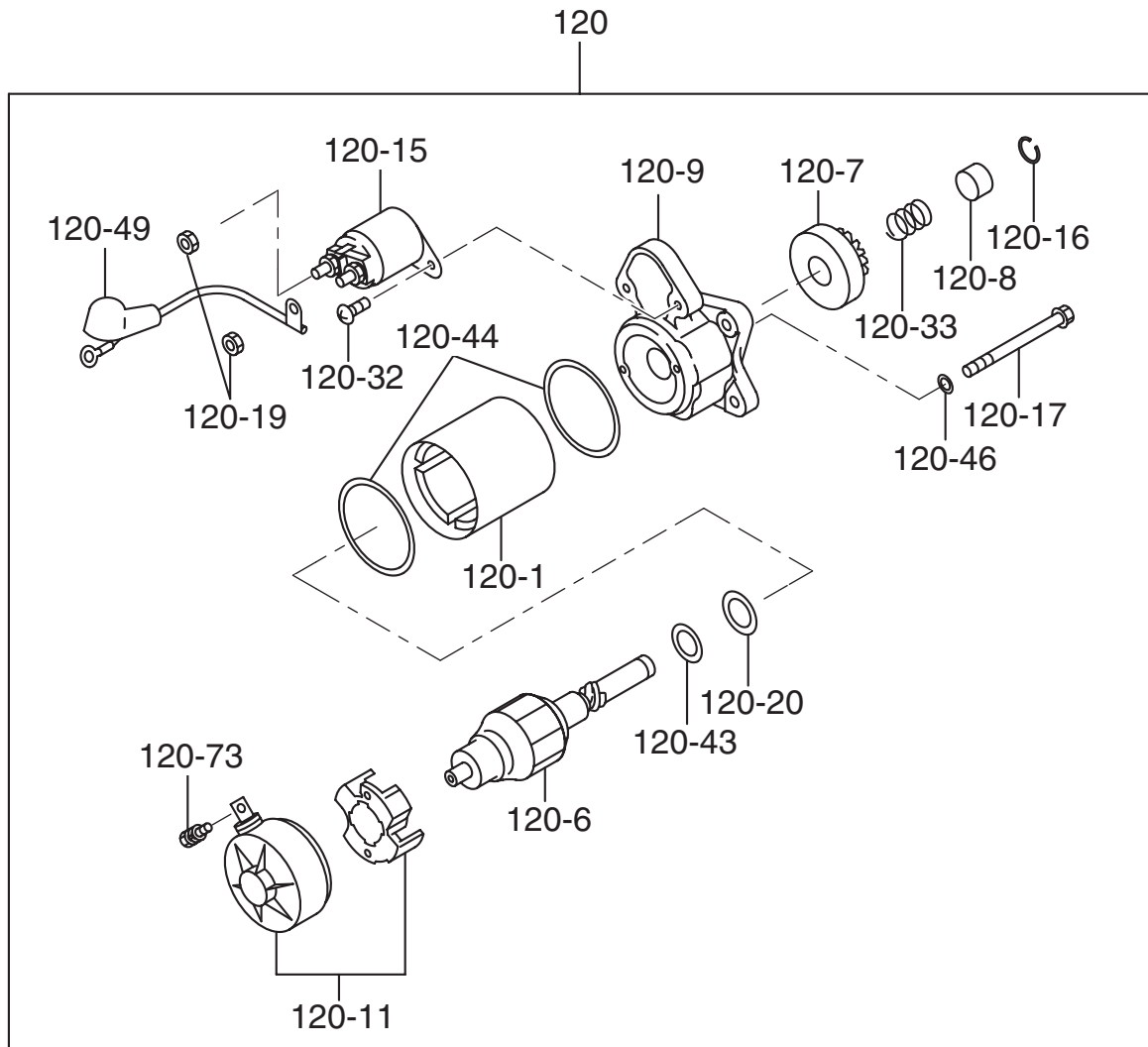


FIG. 730



7 ELECTRIC DEVICE

REF.	PART NUMBER	PART NAME	QTY	R E M A R K S	CODE NO.	INTERCHANGE P/NO.	UNIT P	FIG.
120	277-70502-00	STARTING MOTOR AY	1		-			730
- 1	277-70550-08	YOKE ASSY	1		-			730
- 6	277-70551-08	ARMATURE ASSY	1		-			730
- 7	277-70520-08	CLUTCH, SUB-ASSY	1		-			730
- 8	227-70561-08	NUT, PINION STOP	1		-			730
- 9	277-70501-08	HOUSING ASSY	1		-			730
- 11	277-70502-08	FLAME ASSY	1		-			730
- 15	277-70573-08	CONTACTOR ASSY	1		-			730
- 16	227-70562-08	RING, SNAP	1		-			730
- 17	277-70570-08	BOLT, THROUGH	2		-			730
- 19	254-70576-08	NUT	2		-			730
- 20	227-70573-08	WASHER, PLATE SK	1		-			730
- 32	277-70574-08	SCREW, W/WASHER	2		-			730
- 33	277-70560-08	SPRING	1		-			730
- 43	227-70574-08	COLLAR, ARMATURE	1		-			730
- 44	227-70572-08	O RING	2		-			730
- 46	277-70571-08	O RING	2		-			730
- 49	277-70572-08	WIRE, SUB-ASSY	1		-			730
- 73	227-70577-08	BOLT, W/WASHER	1		-			730

FIG. 900

