

Model **EX30**

# **PARTS CATALOG**

Spec. No. EX300DE5220

DH, GEN(URETHANE),  
EXHAUST PIPE,  
FIXED SPEED CONTROL,  
OIL SENSOR, T3

## CONTENTS

FIG	
1000	CRANKCASE
2000	CARANKSHAFT PISTON
3000,3300	INTAKE EXHAUST
4000	GOVERNOR OPERATION
5000	COOLING STARTING
6000	FUEL LUBURICANT
7000	ELECTRIC DEVICE
9500	SHIP LOOSE PART

FIG. 1000

GEN

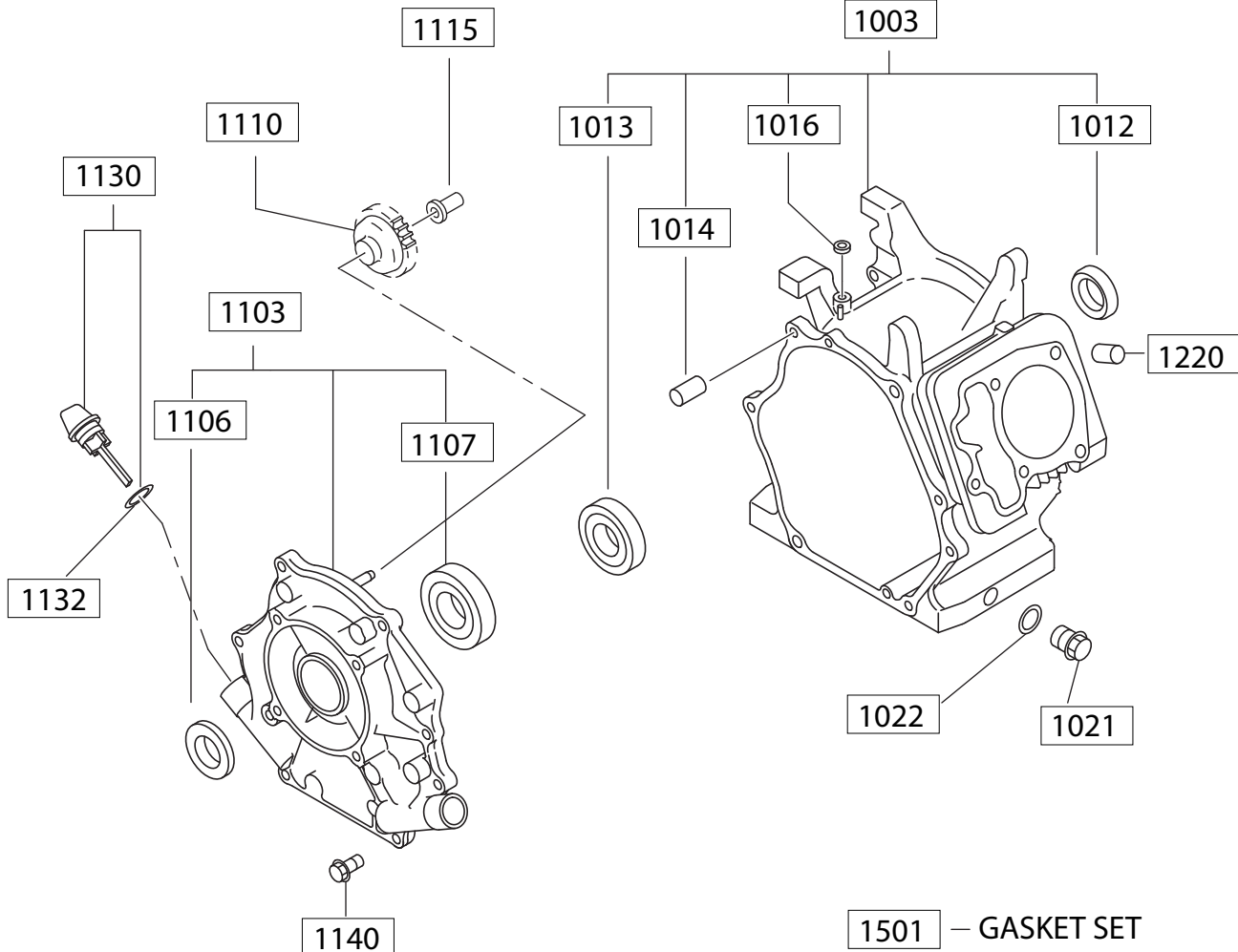
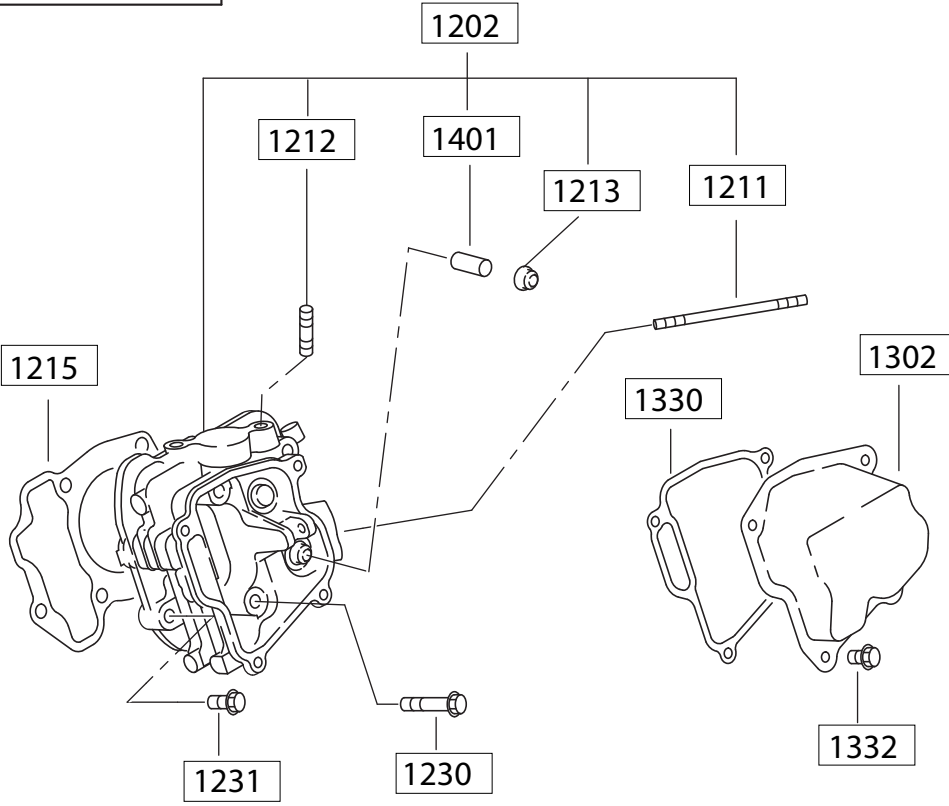




FIG. 2000

DH

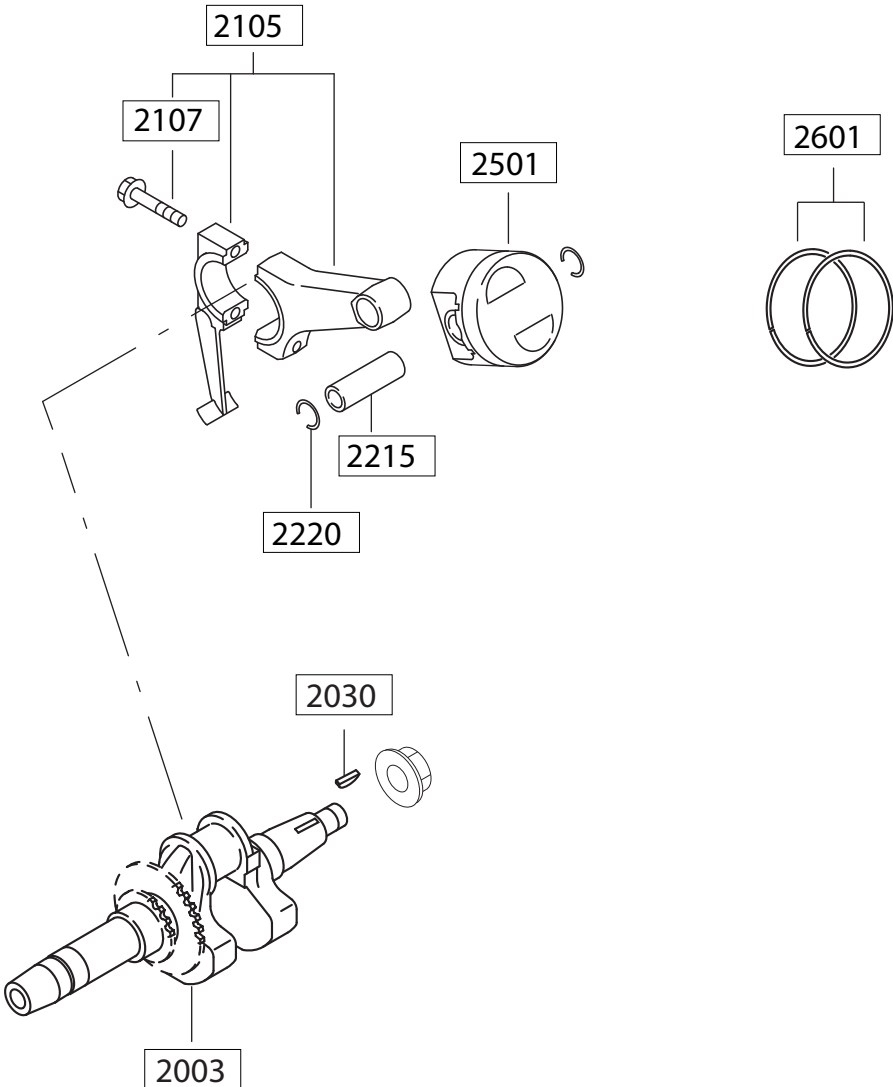




FIG. 3000

GEN(EXHAUST PIPE)

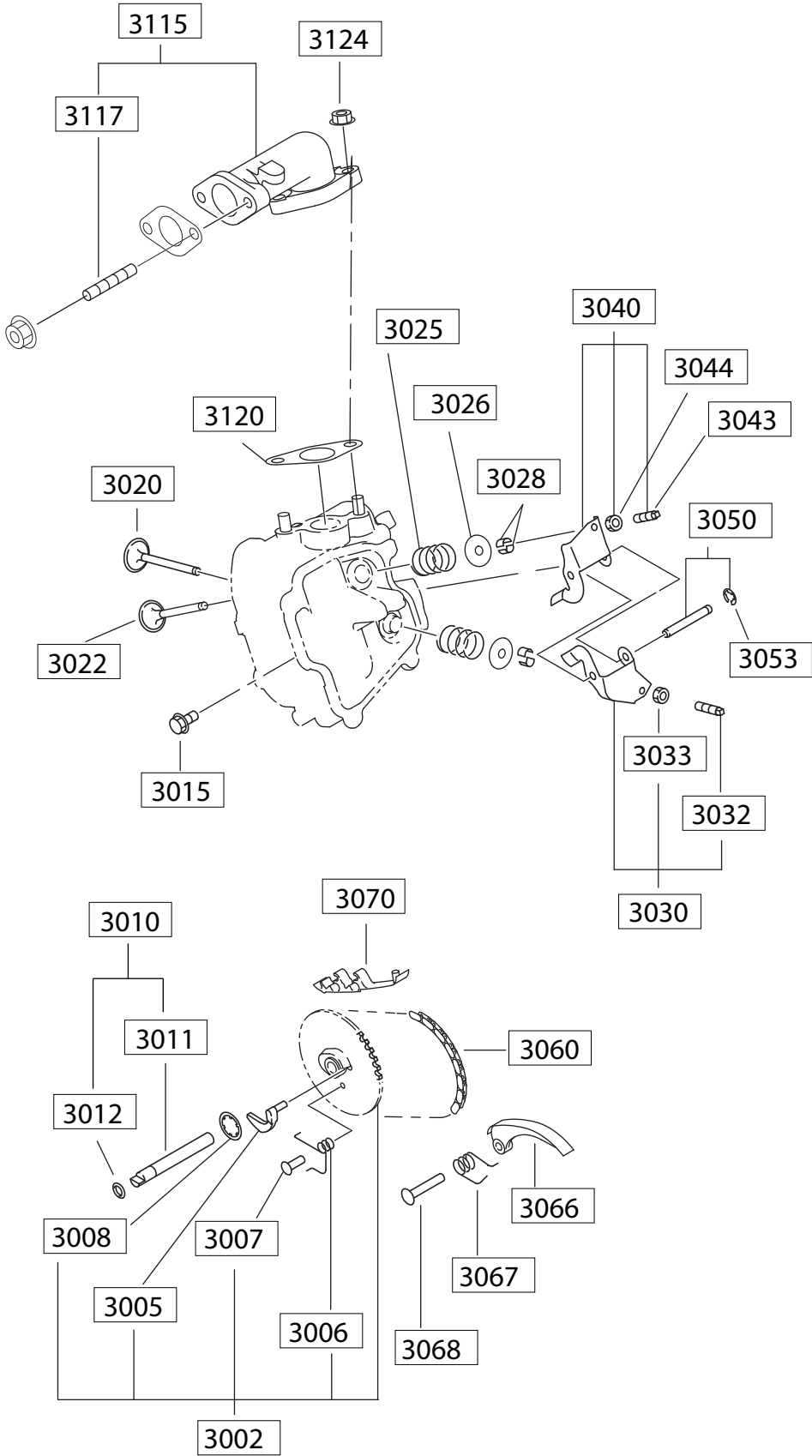






FIG. 3300

GEN(URETHANE ELEMENT)

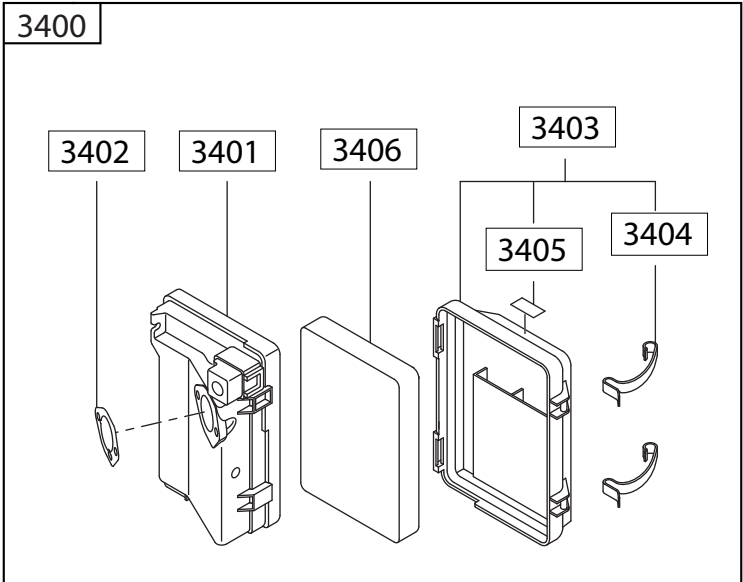
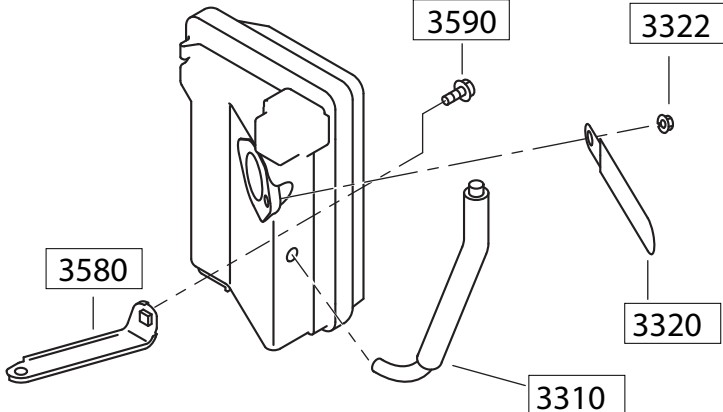




FIG. 4000

FIXED SPEED CONTROL

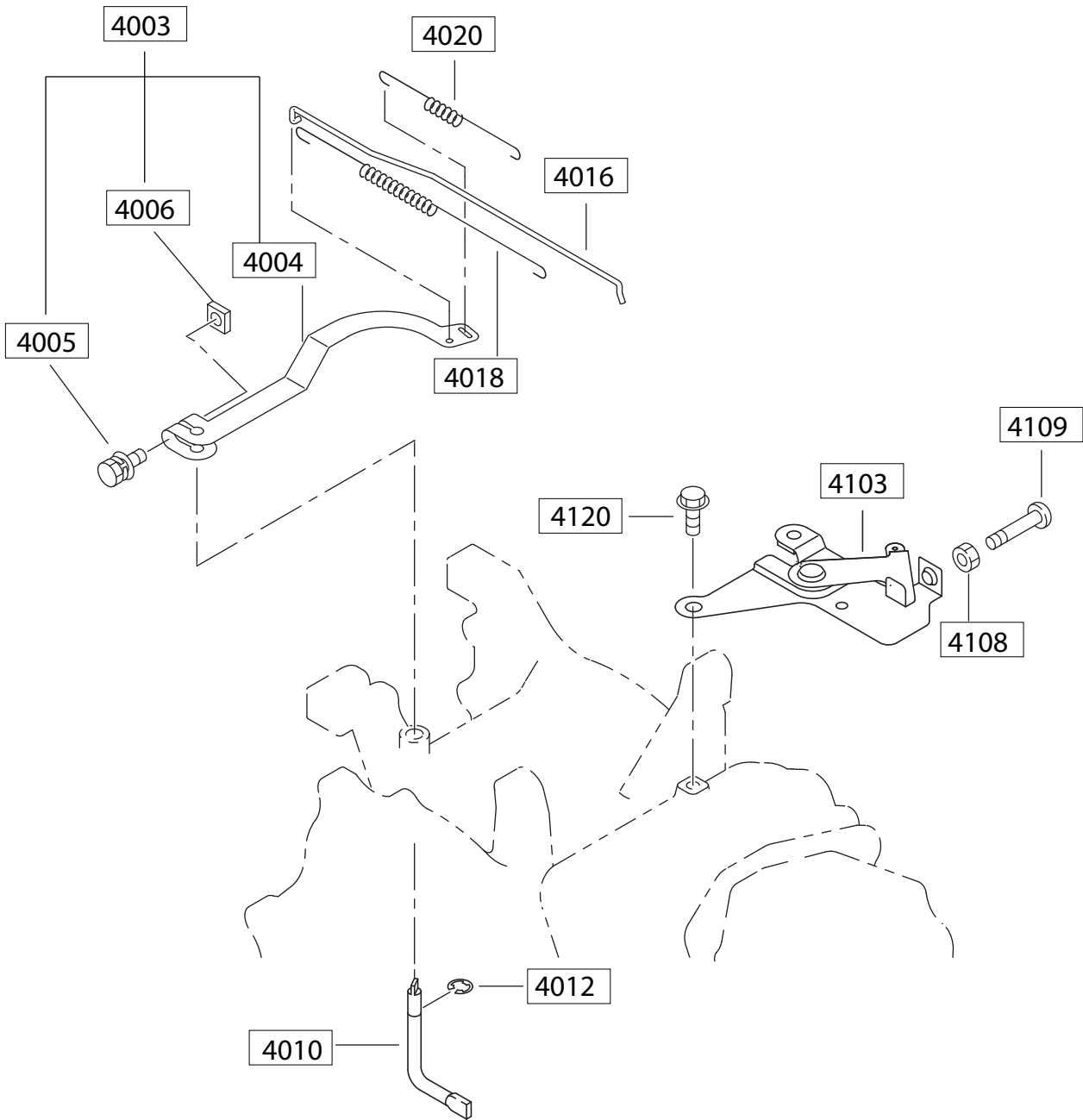




FIG. 5000

GEN

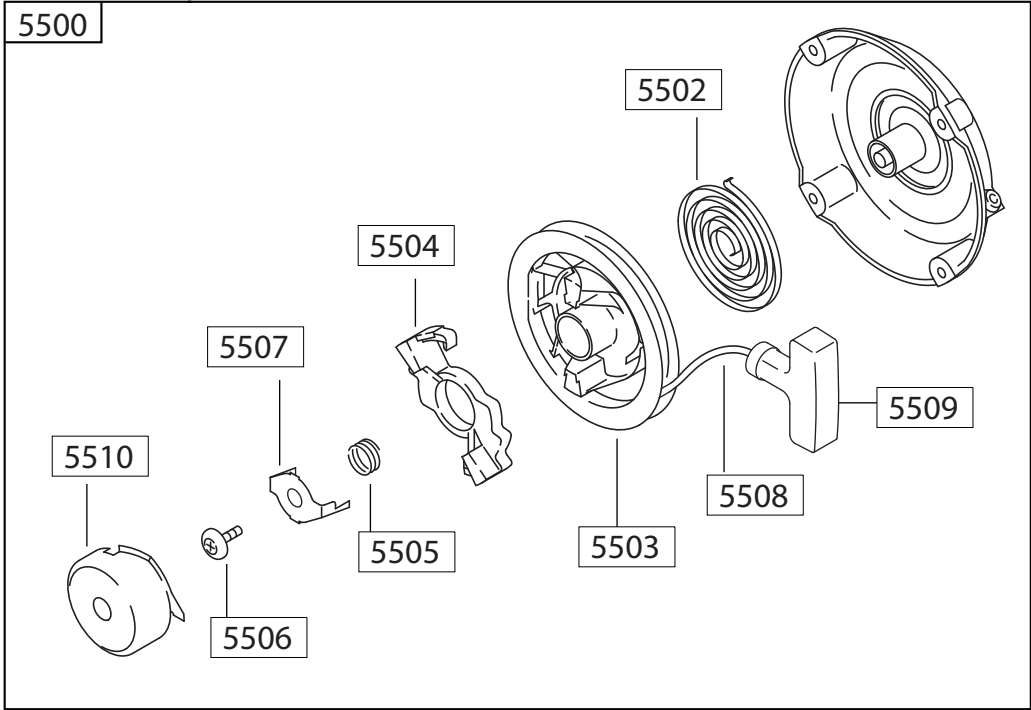
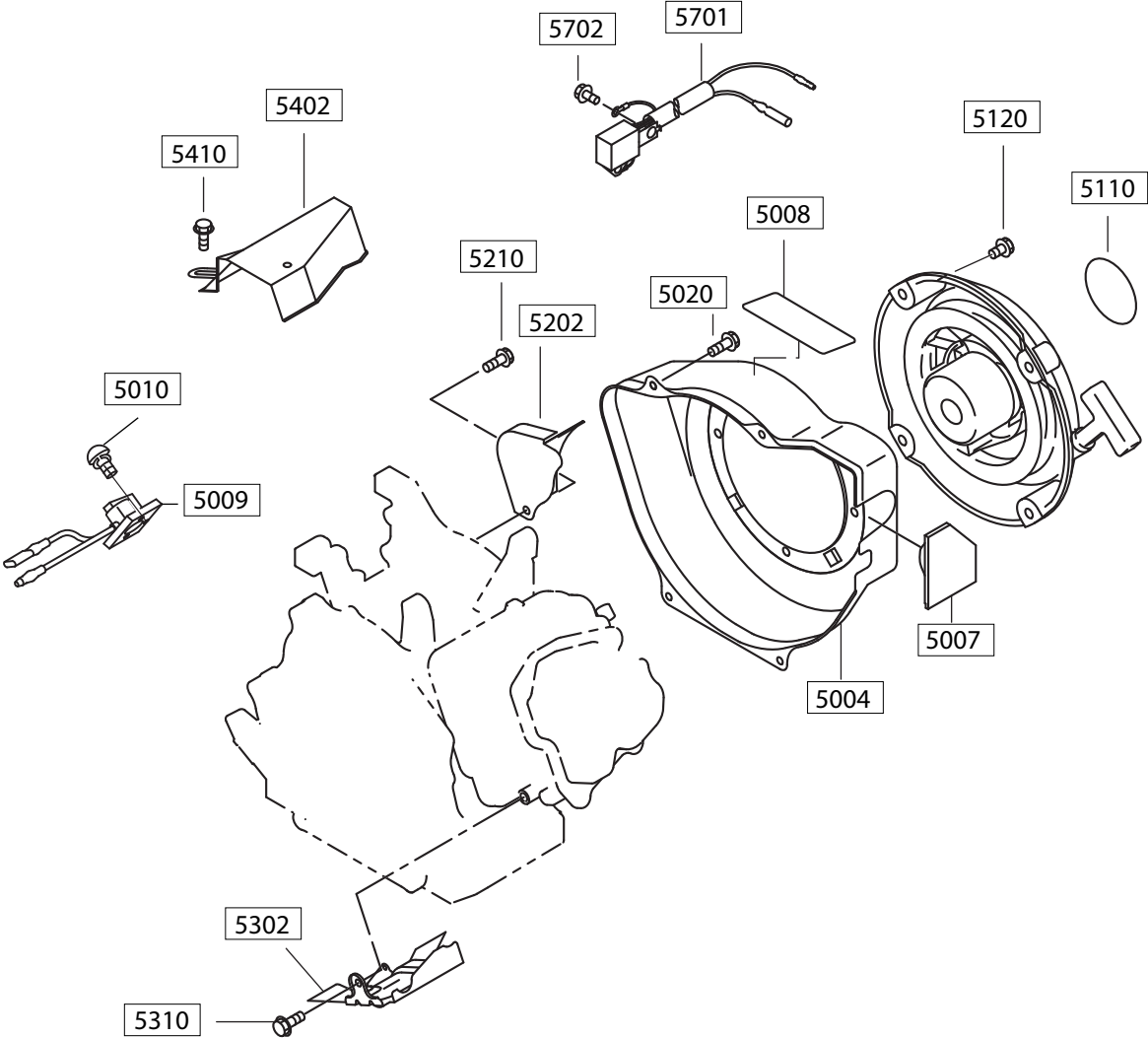




FIG. 6000

GEN

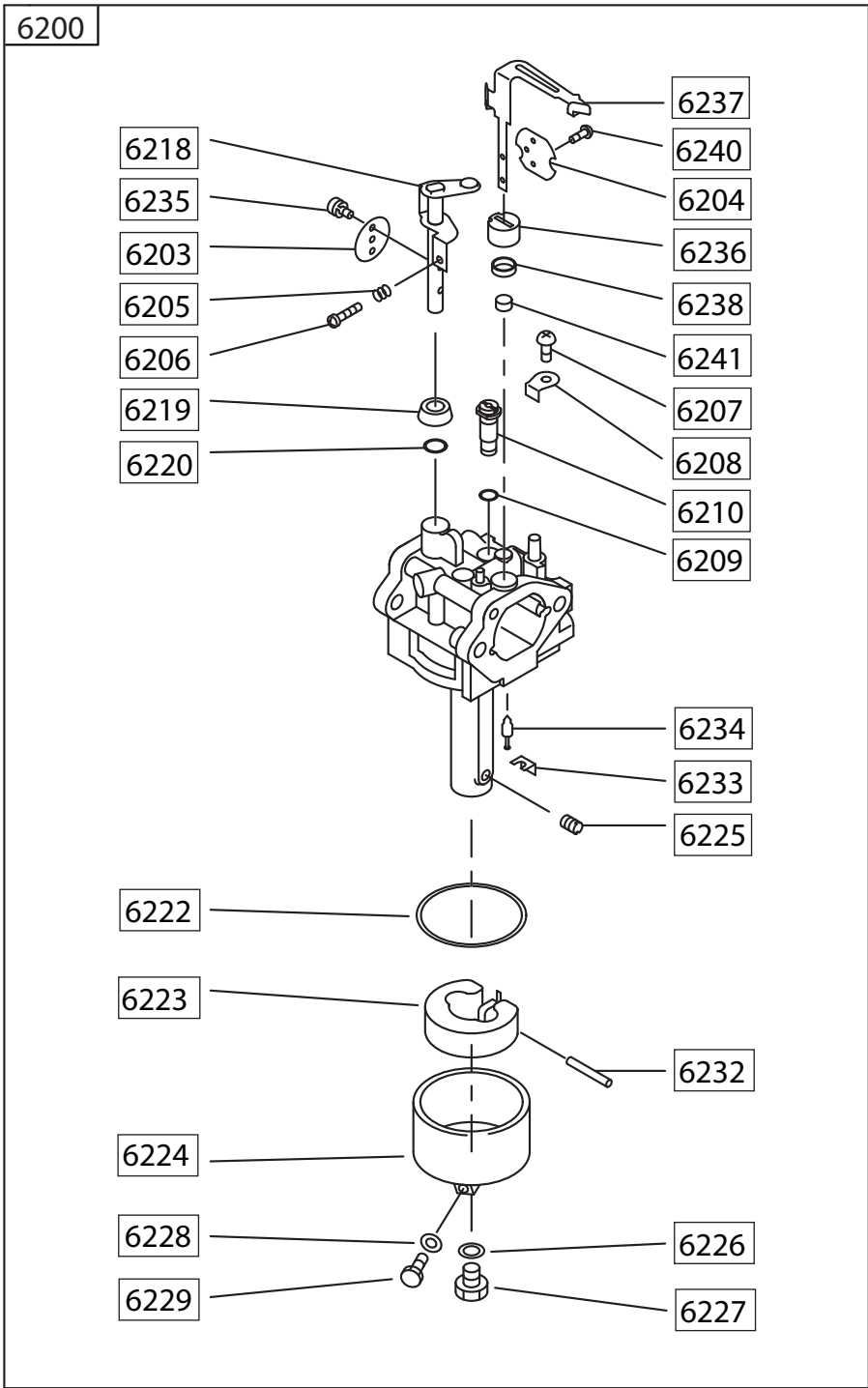
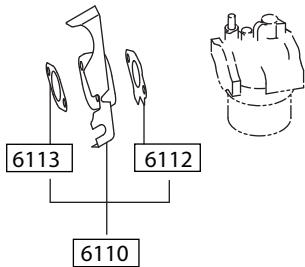






FIG. 7000

GEN

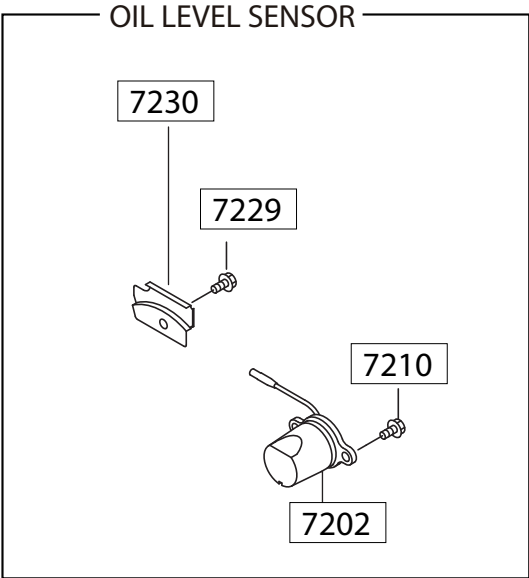
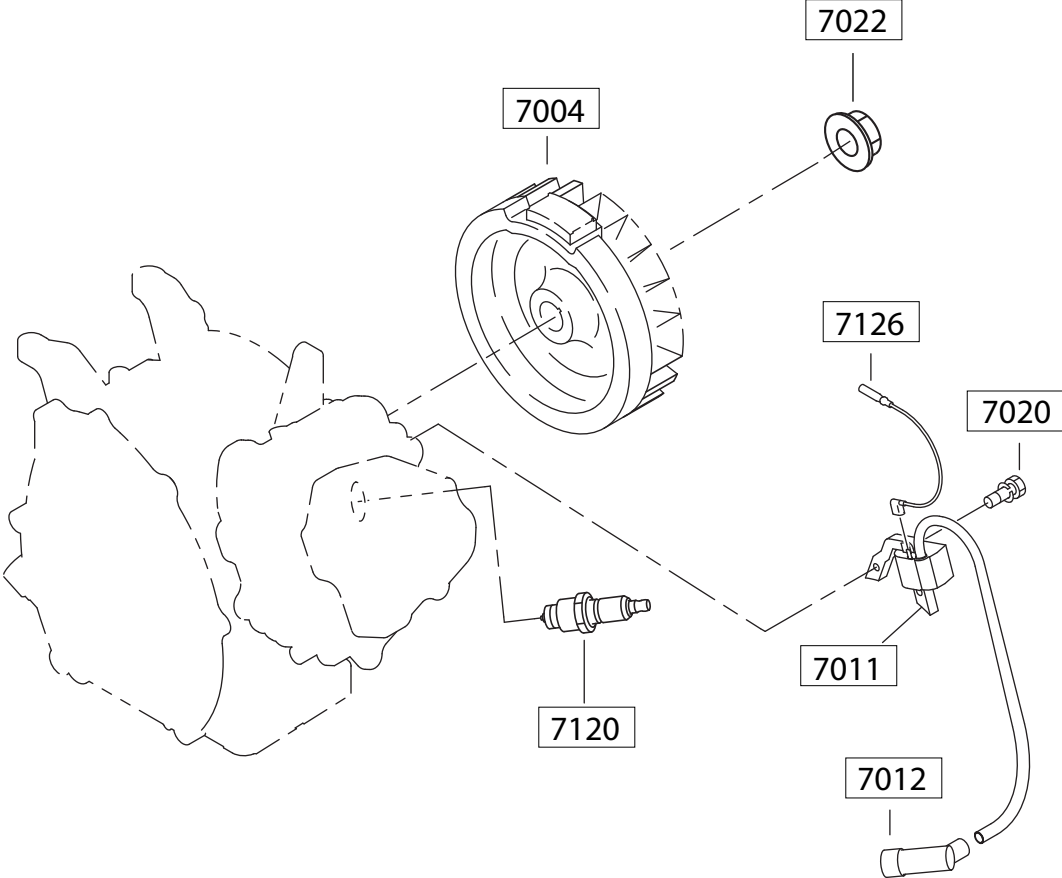
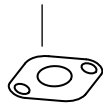




FIG. 9500

9530



9531



