

Robin Generator

Model **RG4300IS**
for CANADA

PARTS CATALOG

Spec. No. RAS43023541
(EX270DS2080)

FUJI HEAVY INDUSTRIES LTD.

ISSUE EMD-GP6344	
ISSUE DATE	2006.10

FIG. 100

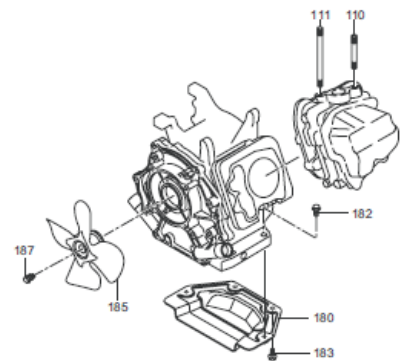
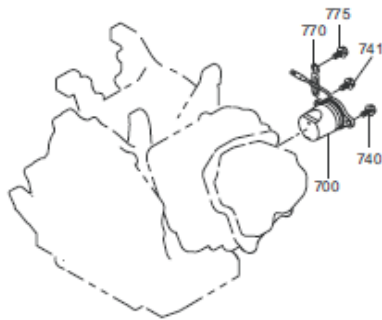
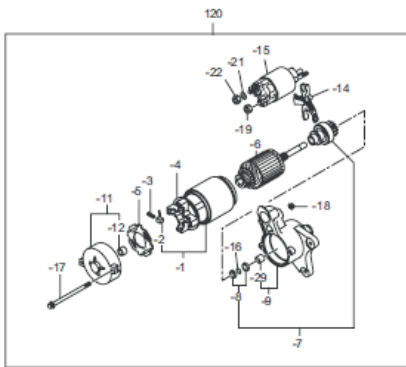
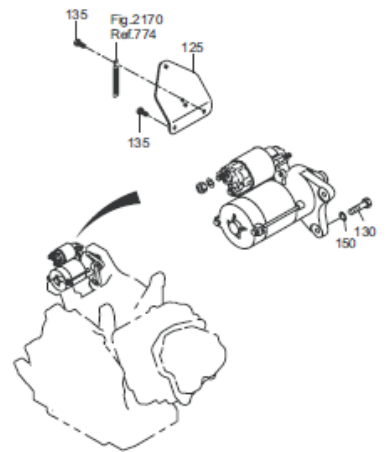
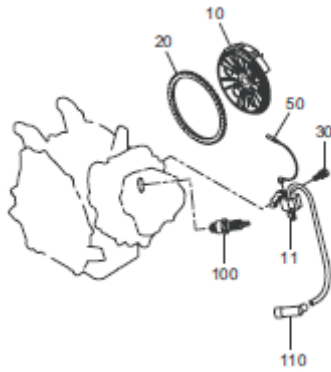
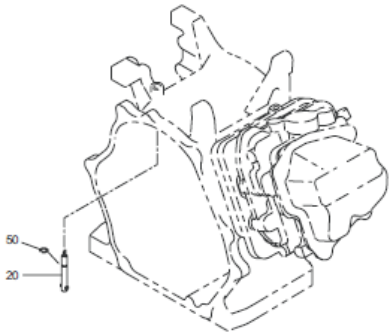
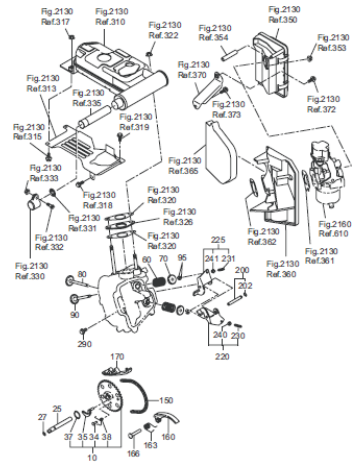
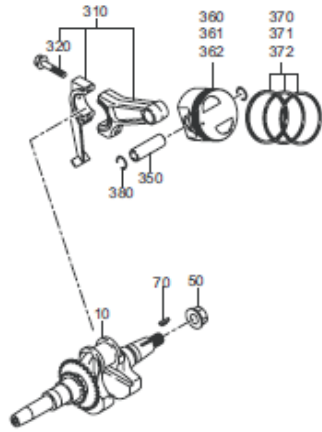
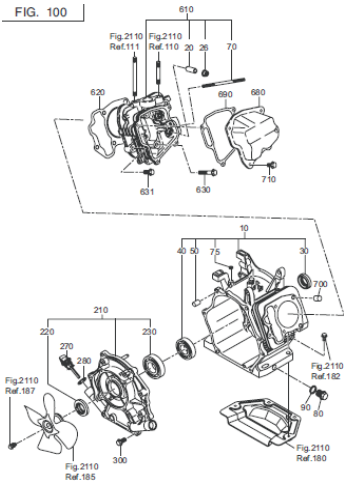
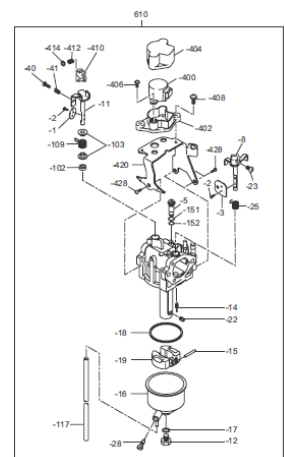
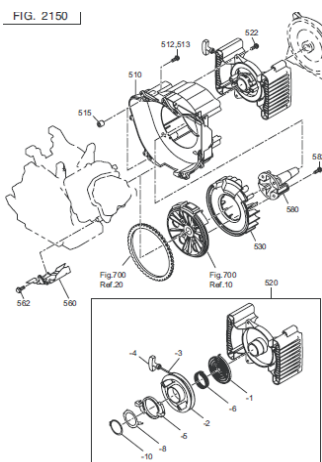
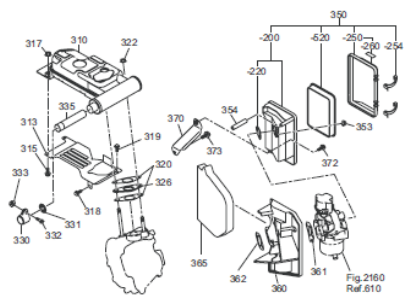


FIG. 2150



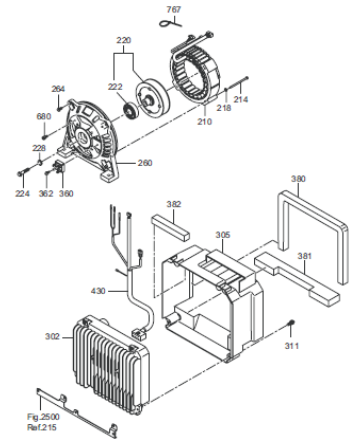
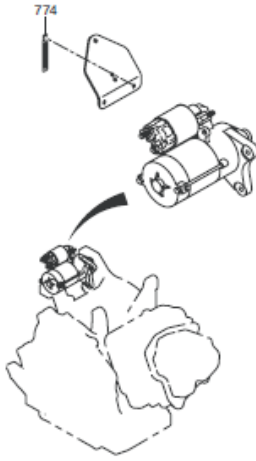


FIG. 2300

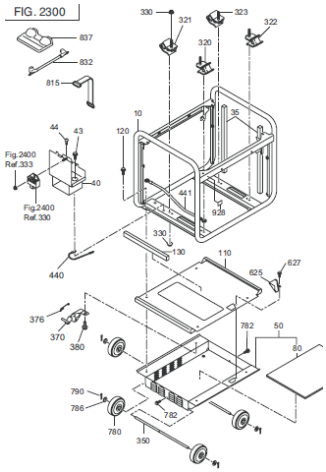


FIG. 2400

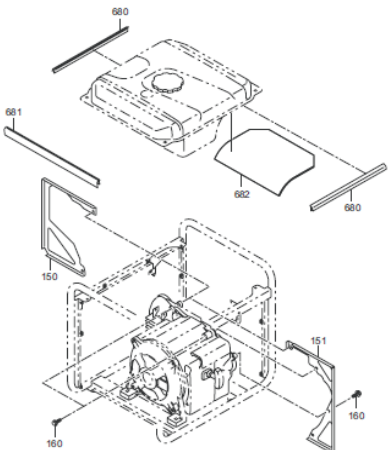
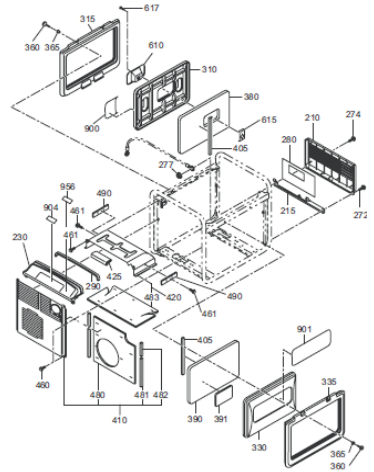
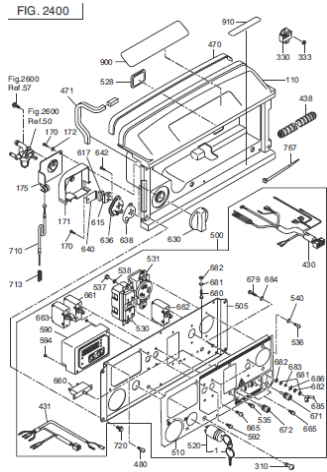


FIG. 2600

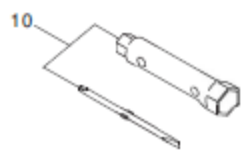
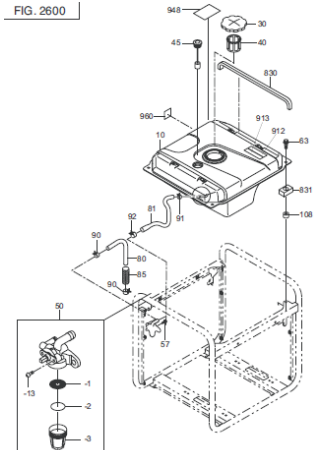
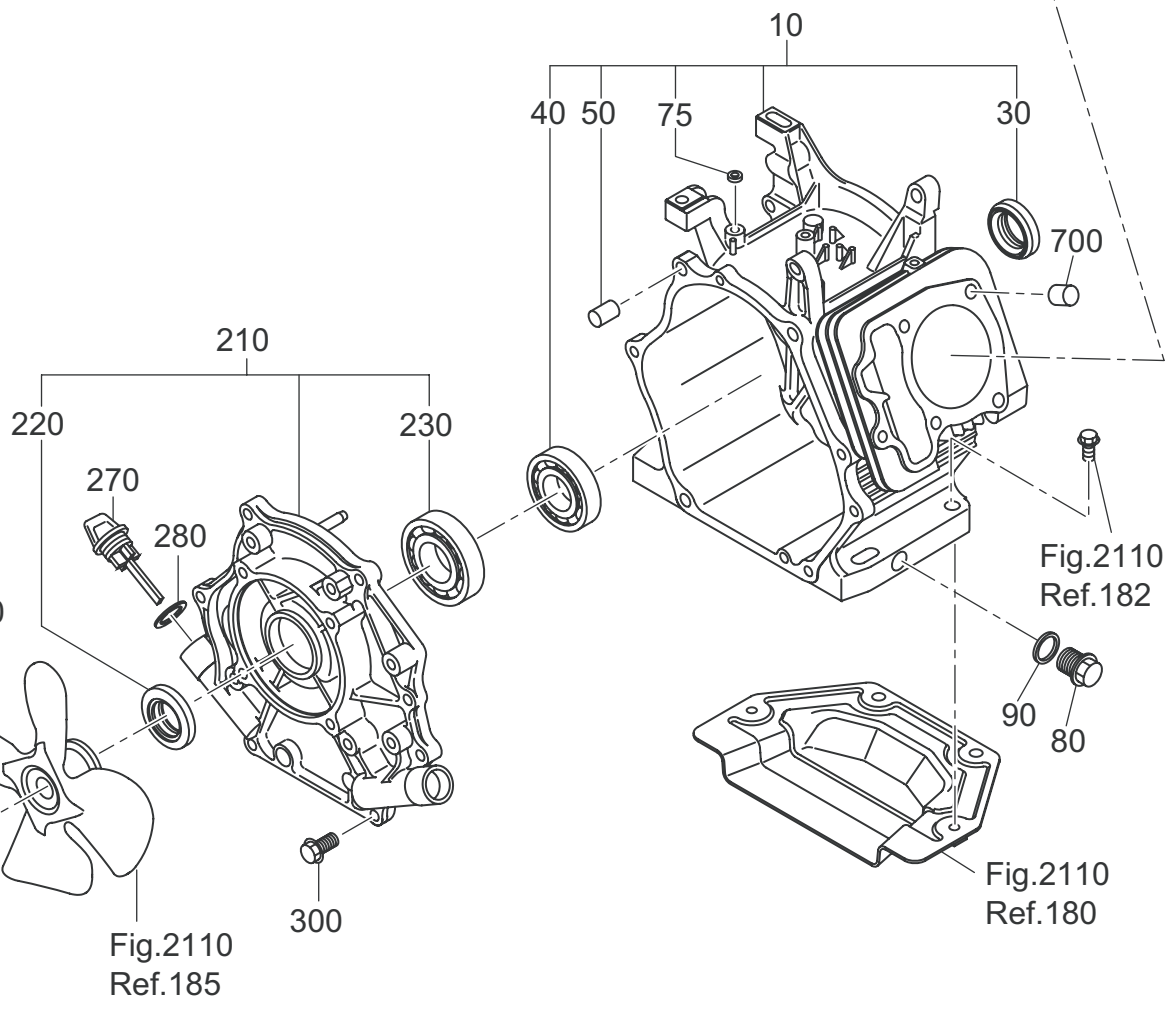
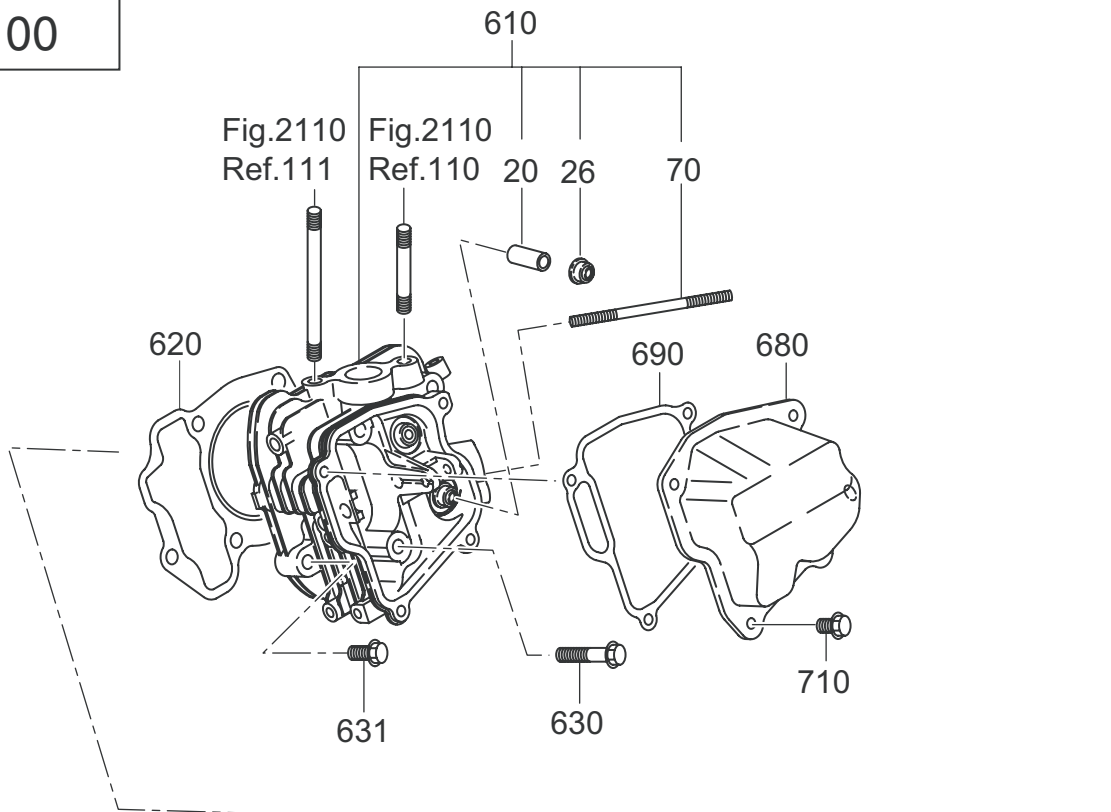


FIG. 100



960—GASKET SET

FIG. 200

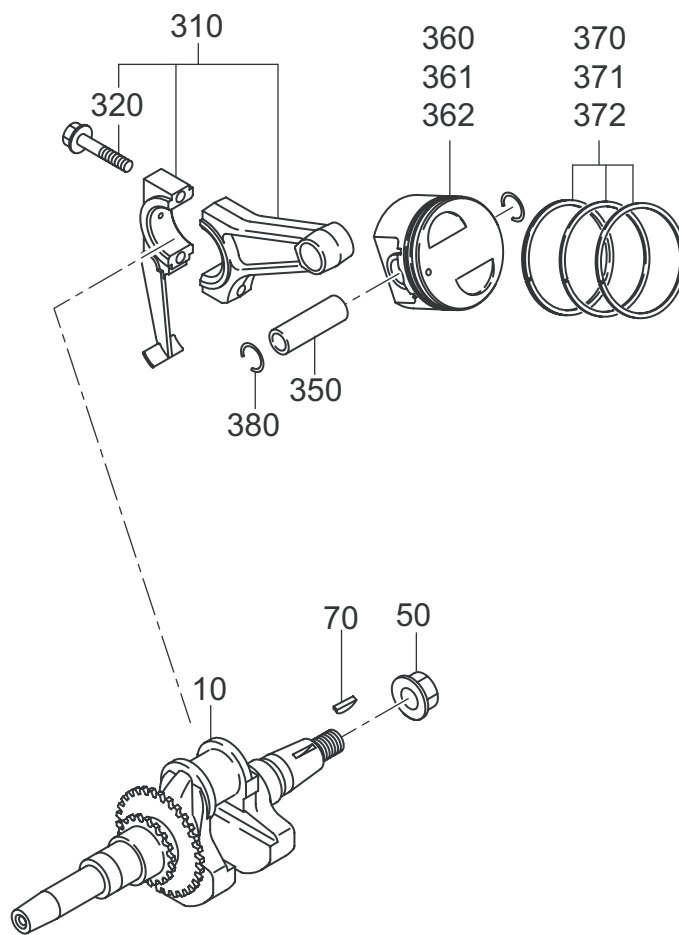


FIG. 300

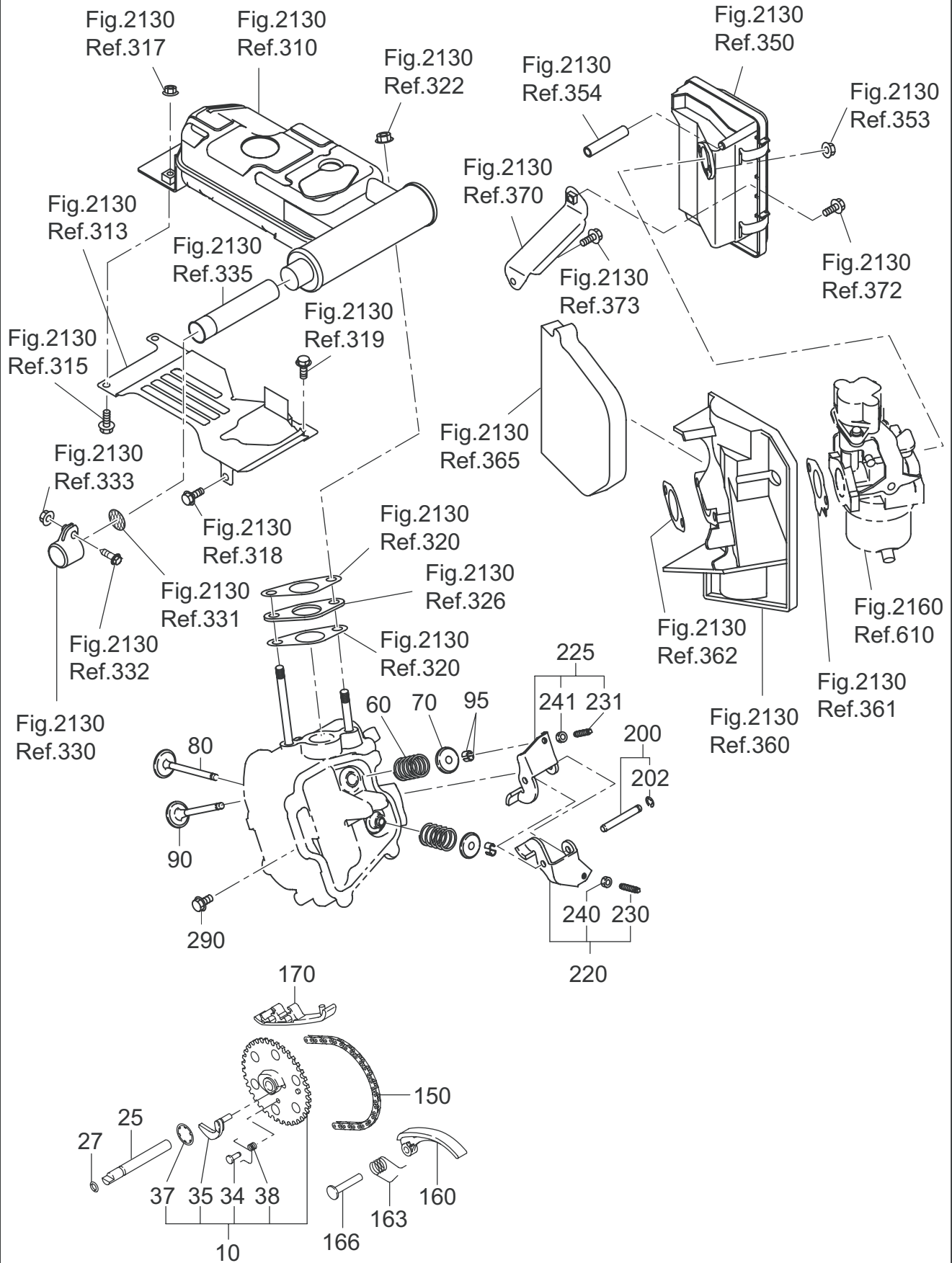


FIG. 400

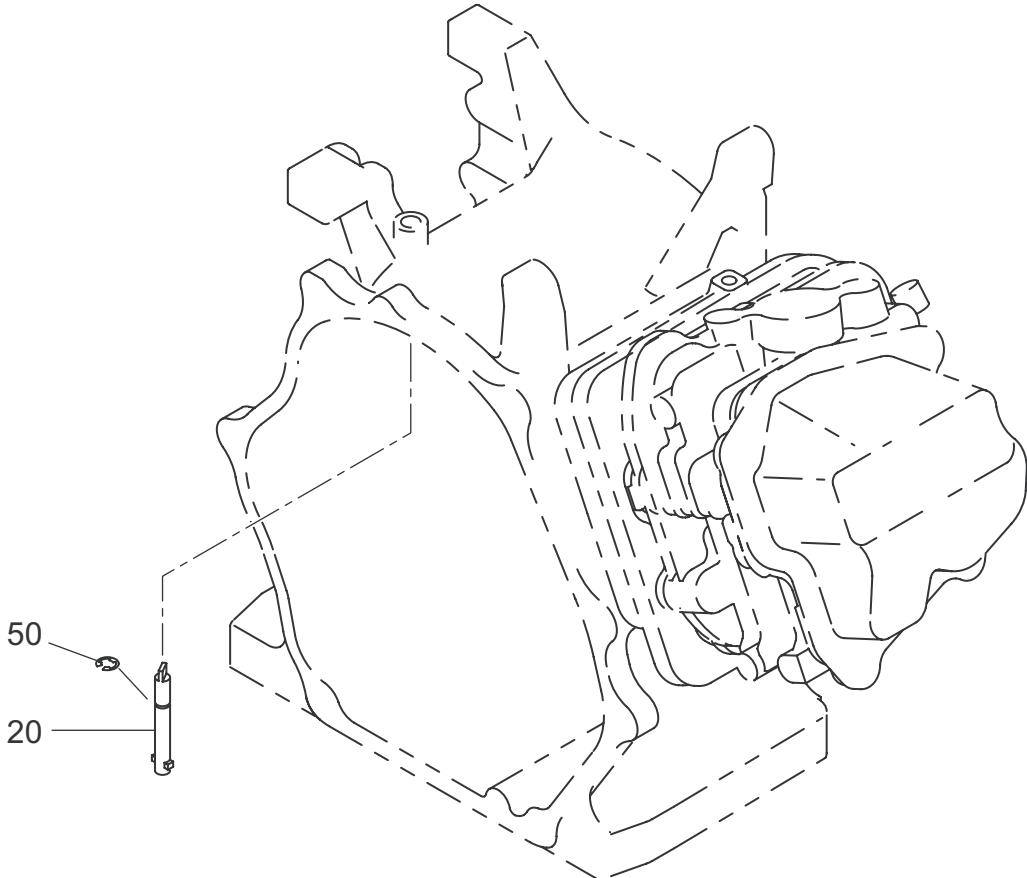


FIG. 700

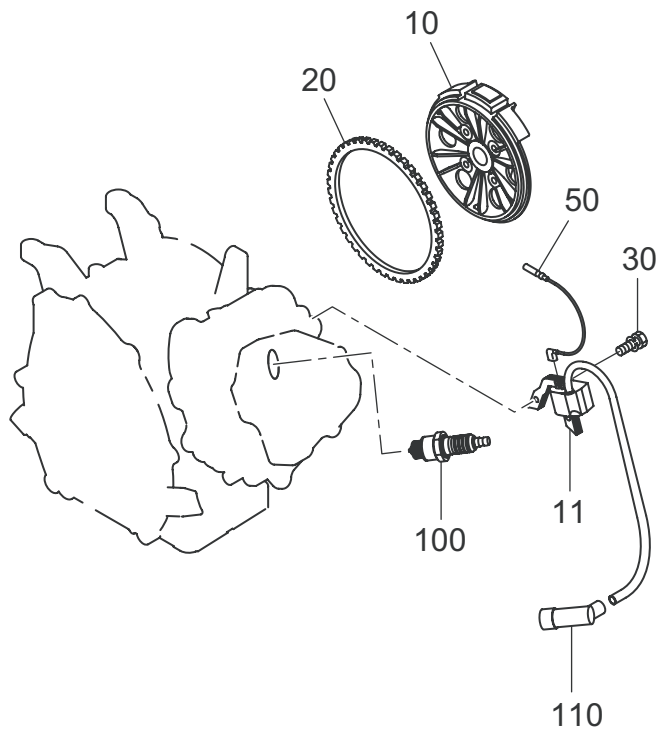


FIG. 720

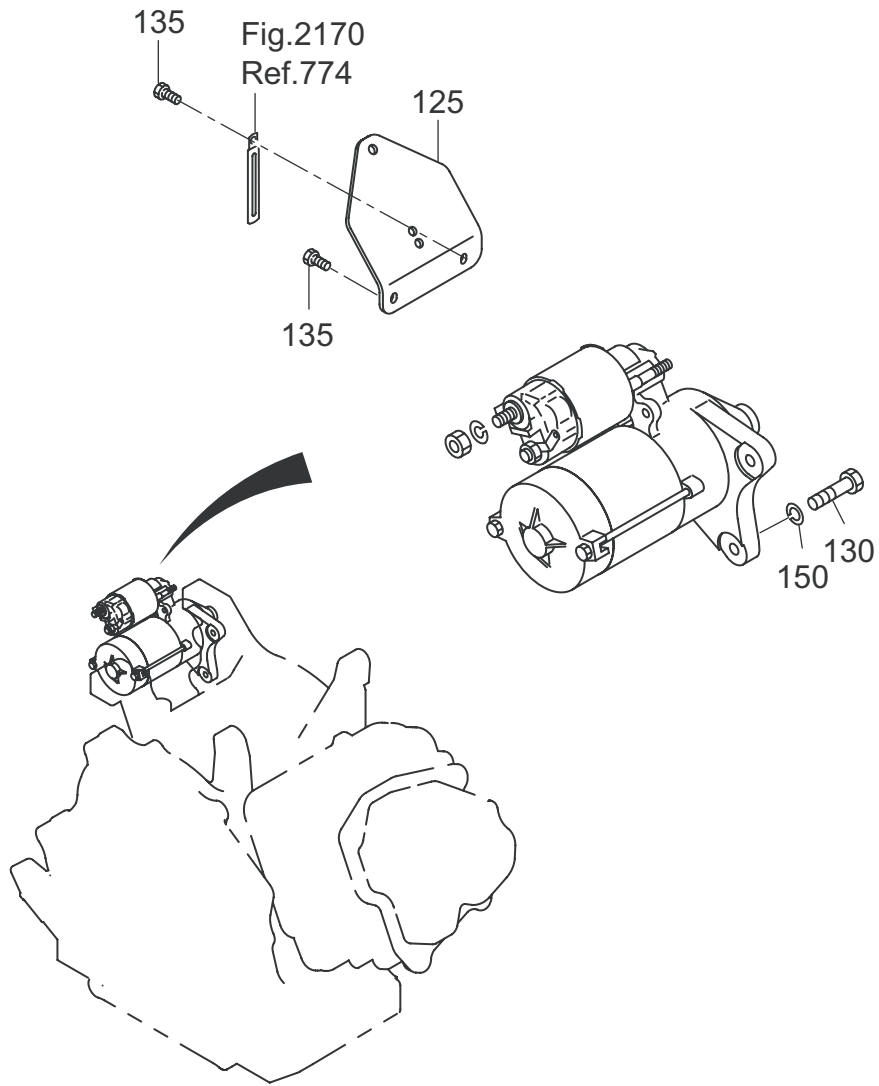


FIG. 730

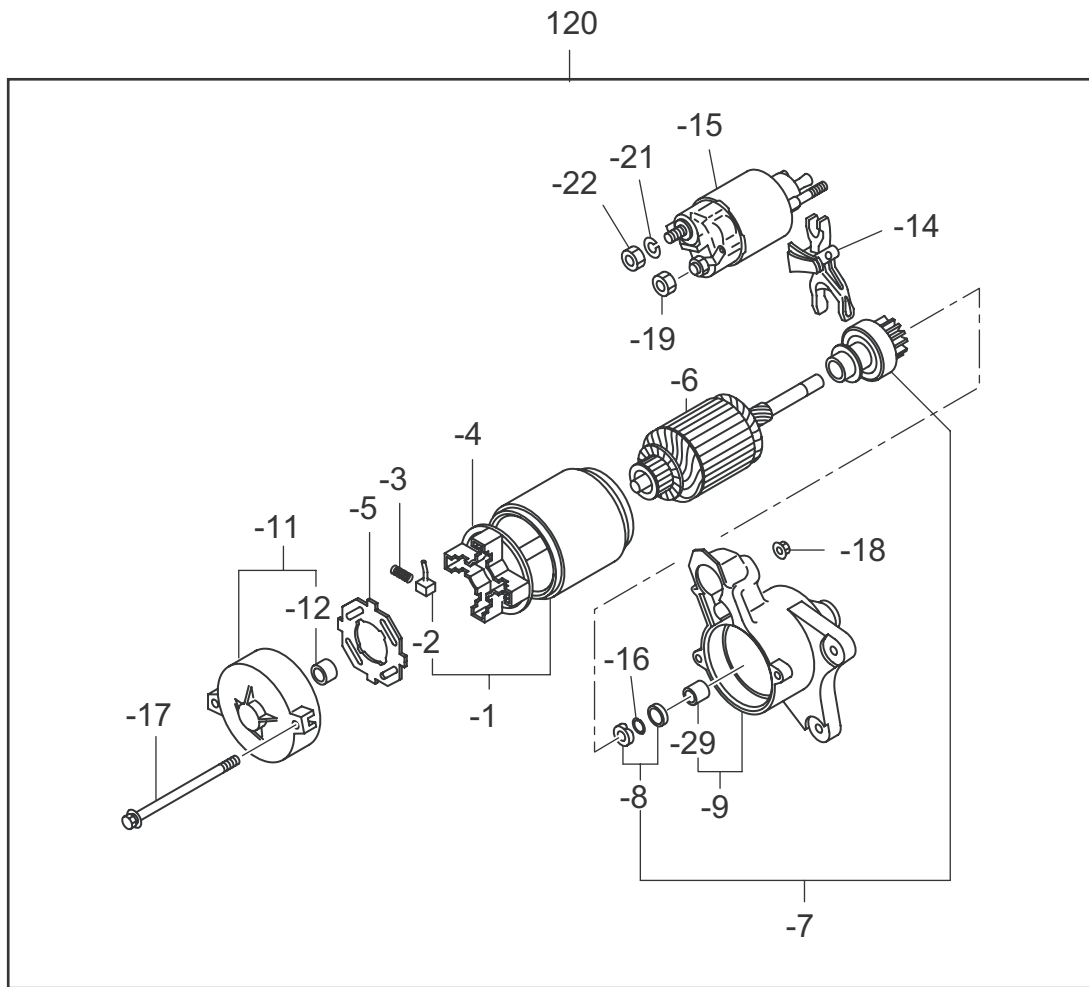


FIG. 770

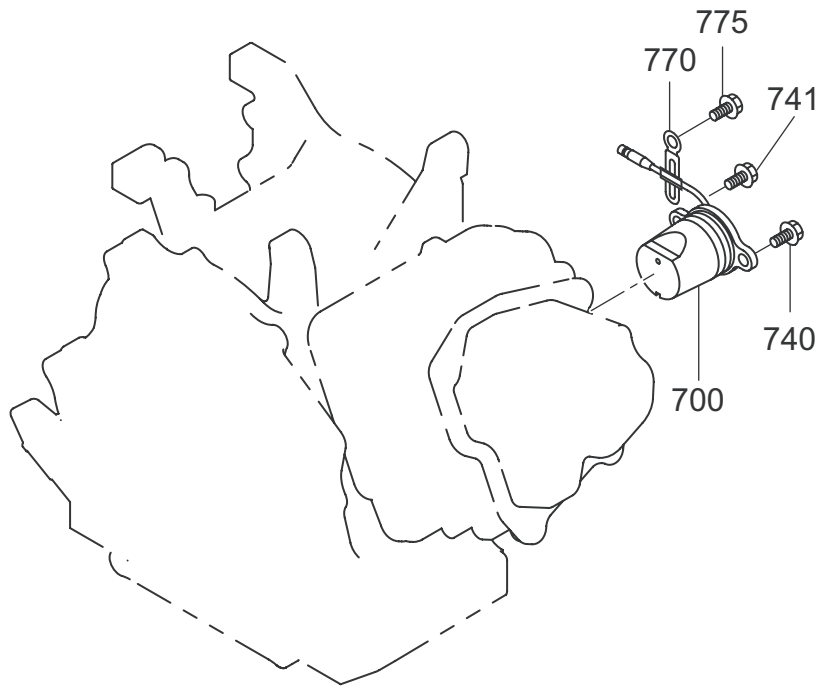


FIG. 2110

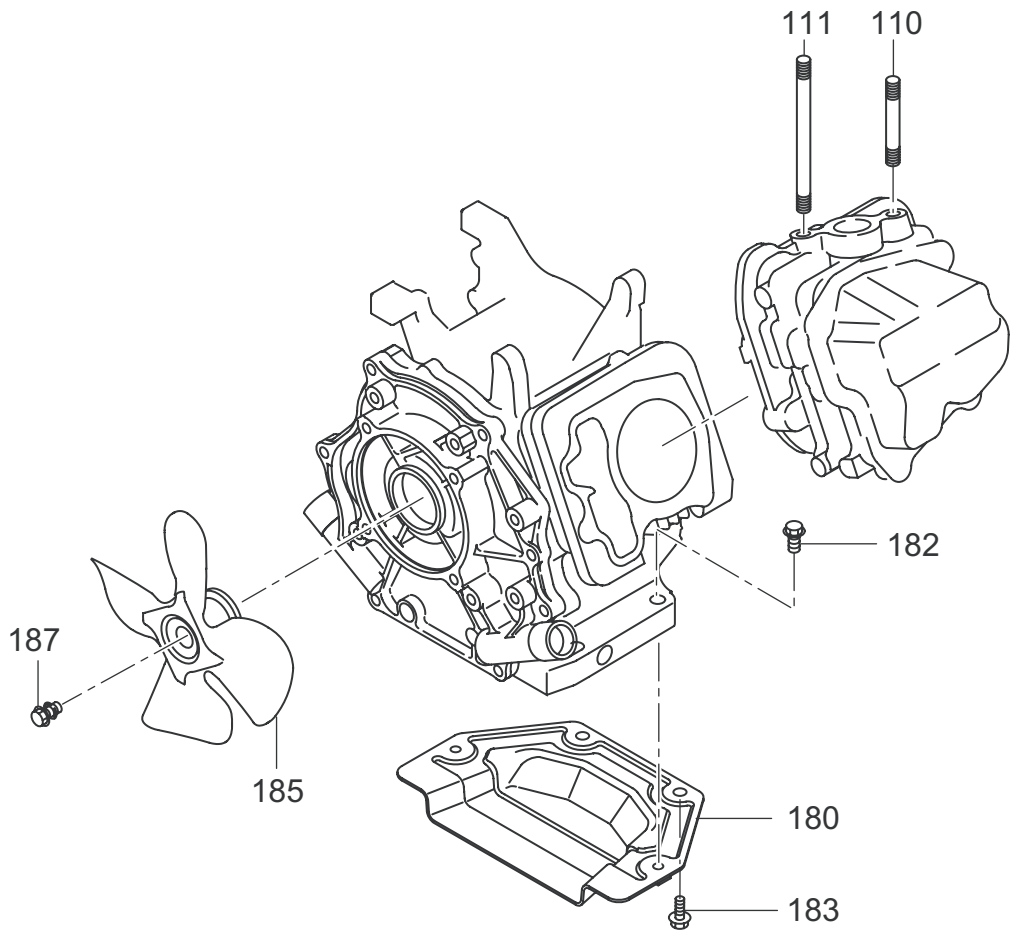


FIG. 2130

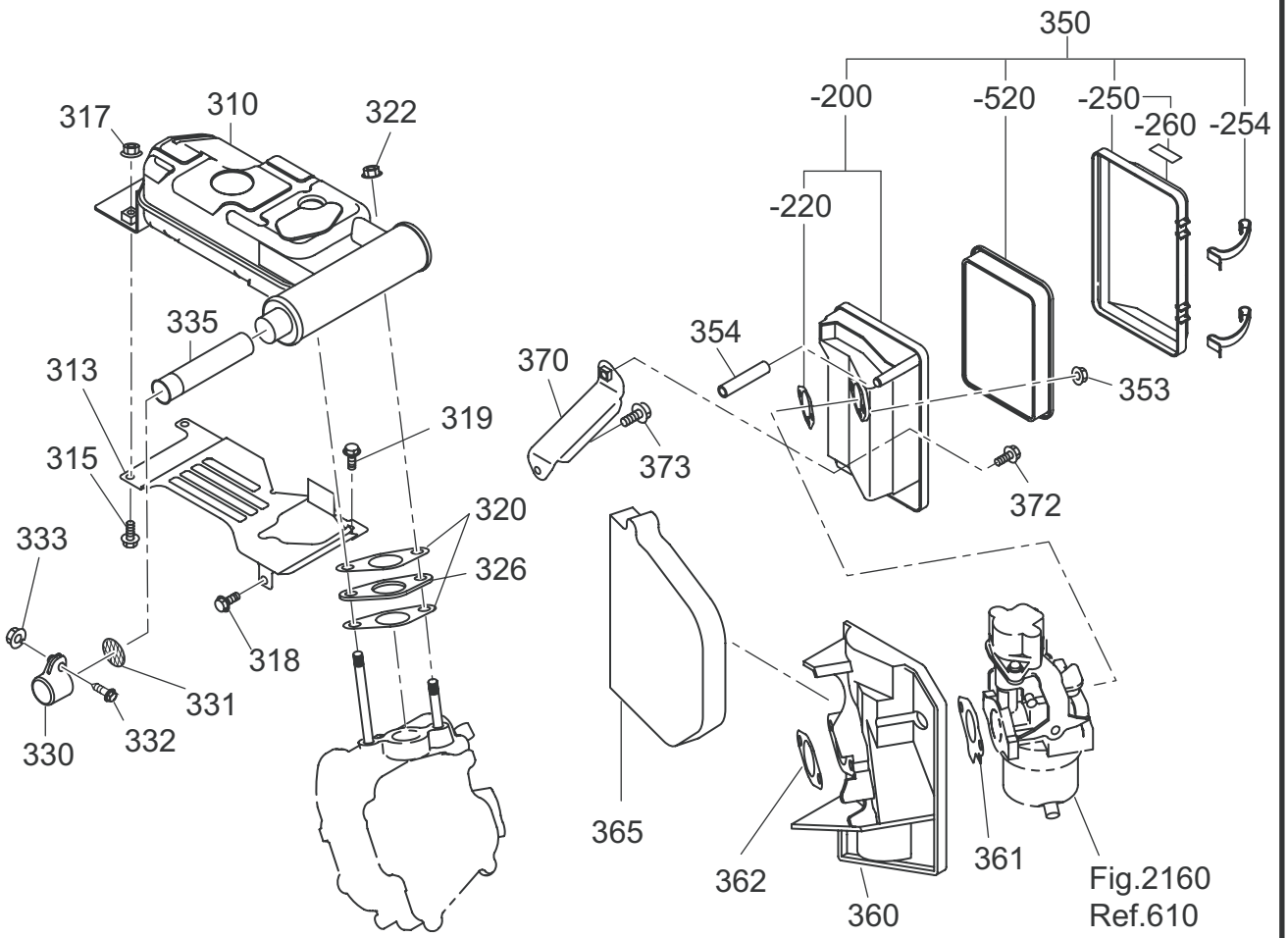


FIG. 2150

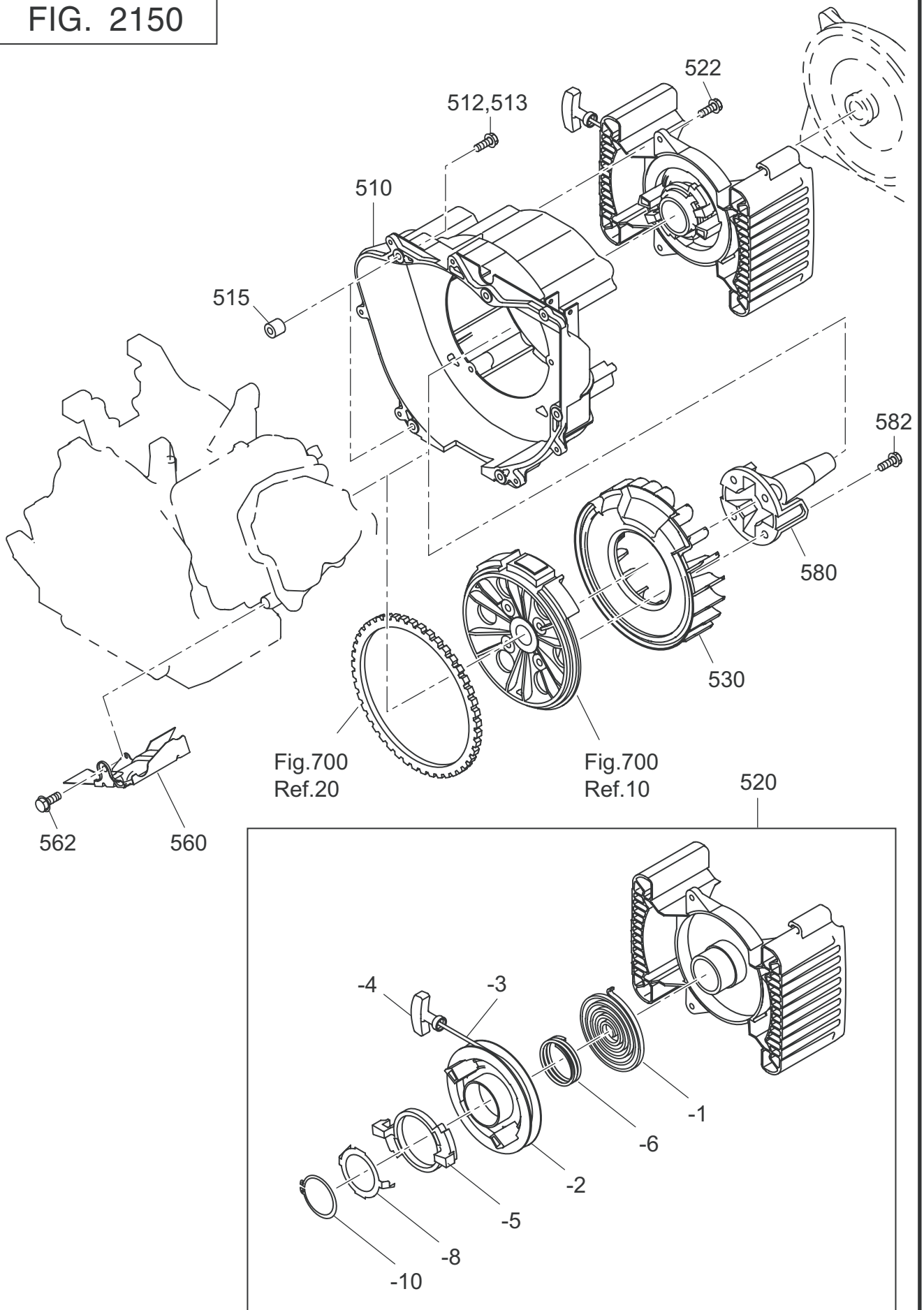


FIG. 2160

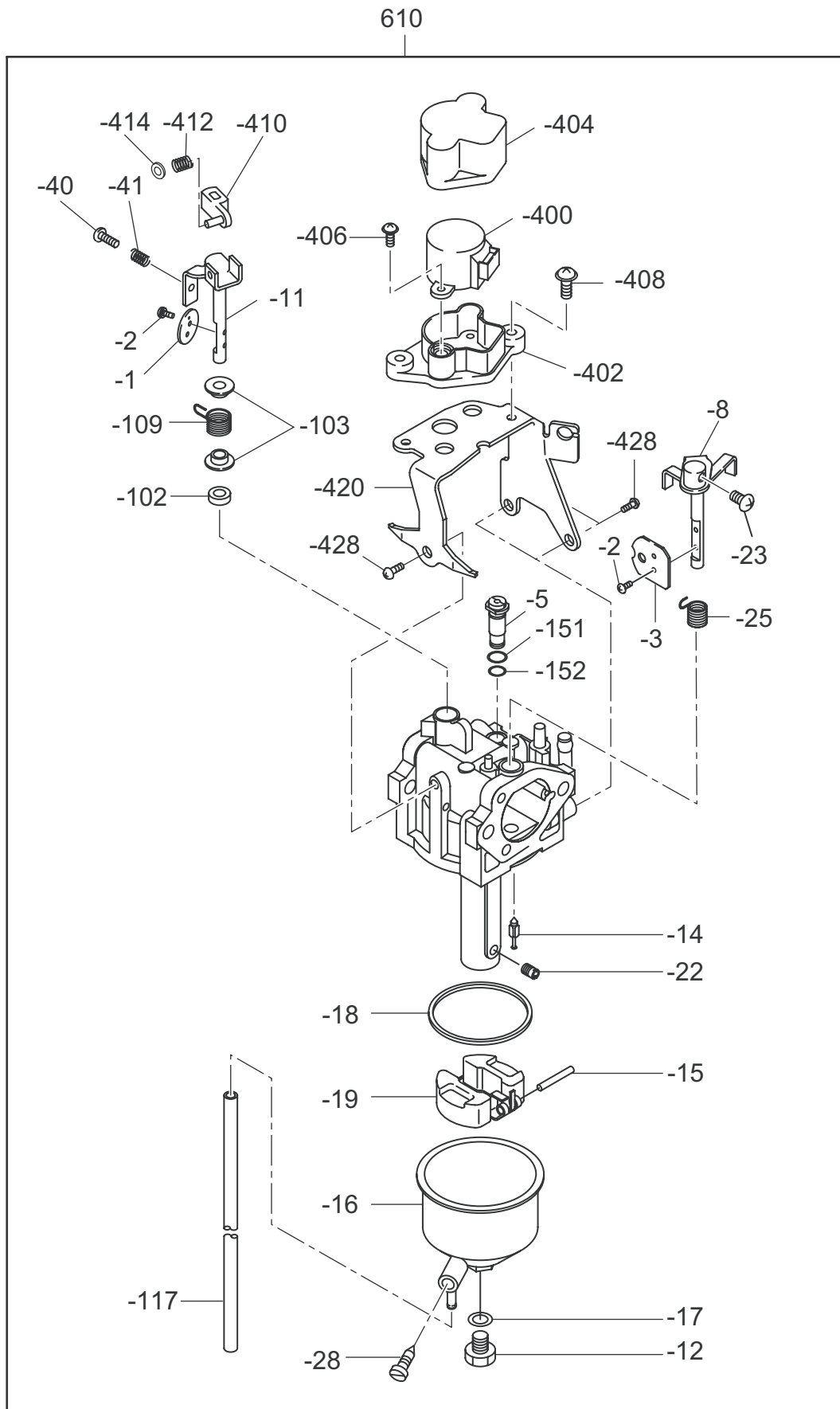


FIG. 2170

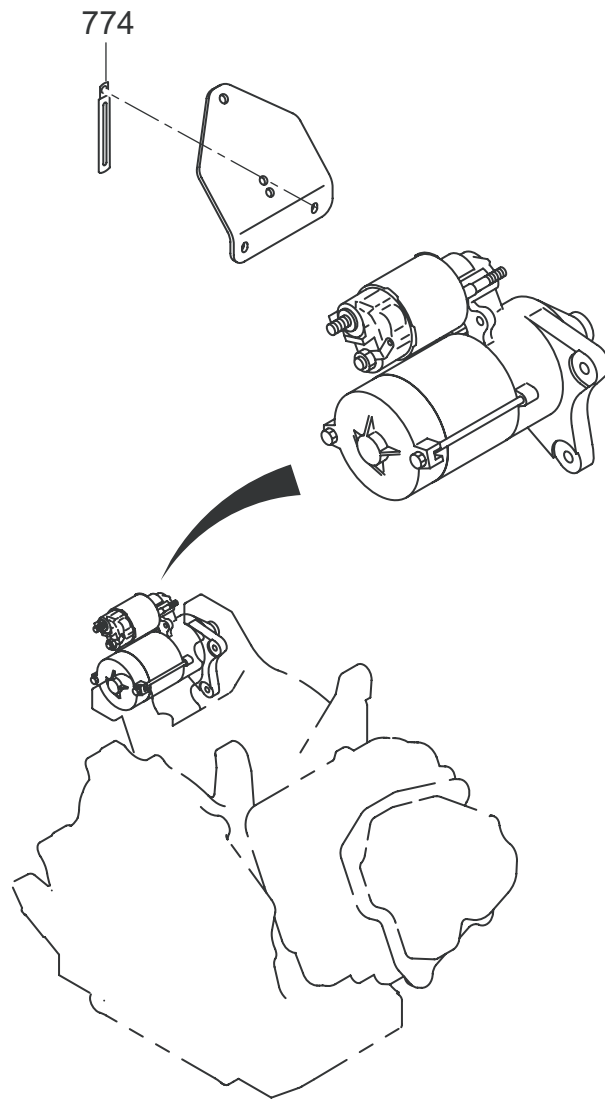


FIG. 2200

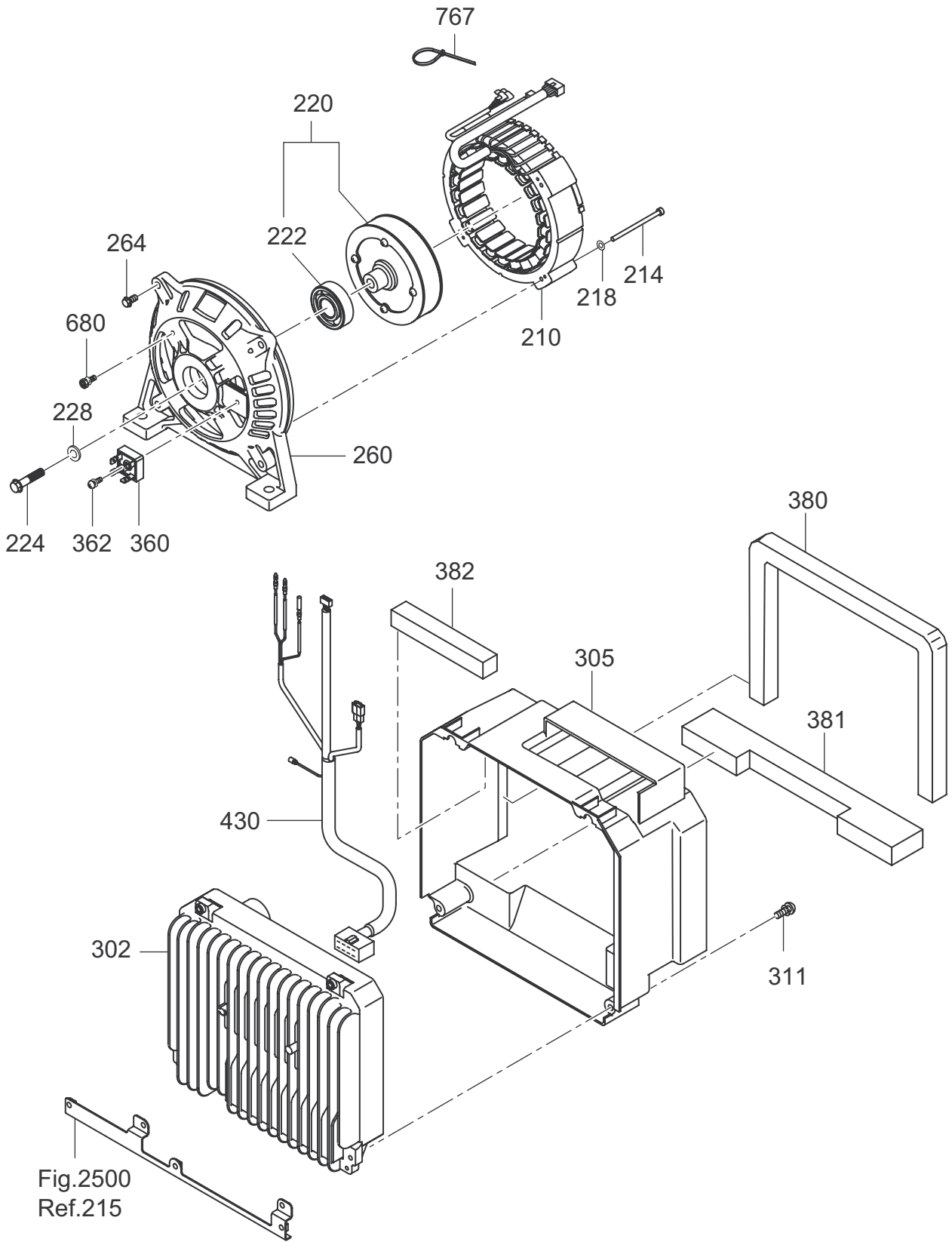


FIG. 2300

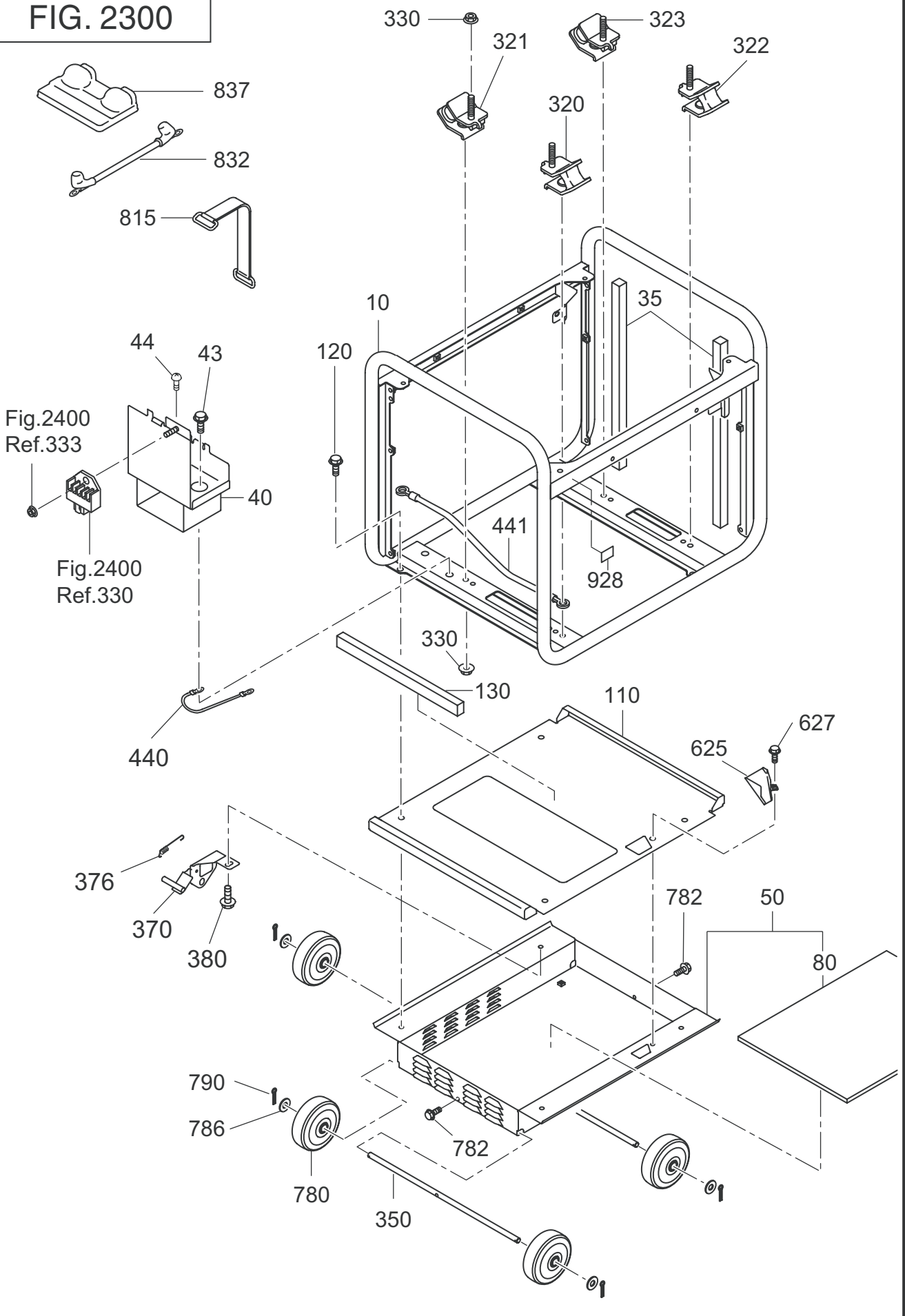
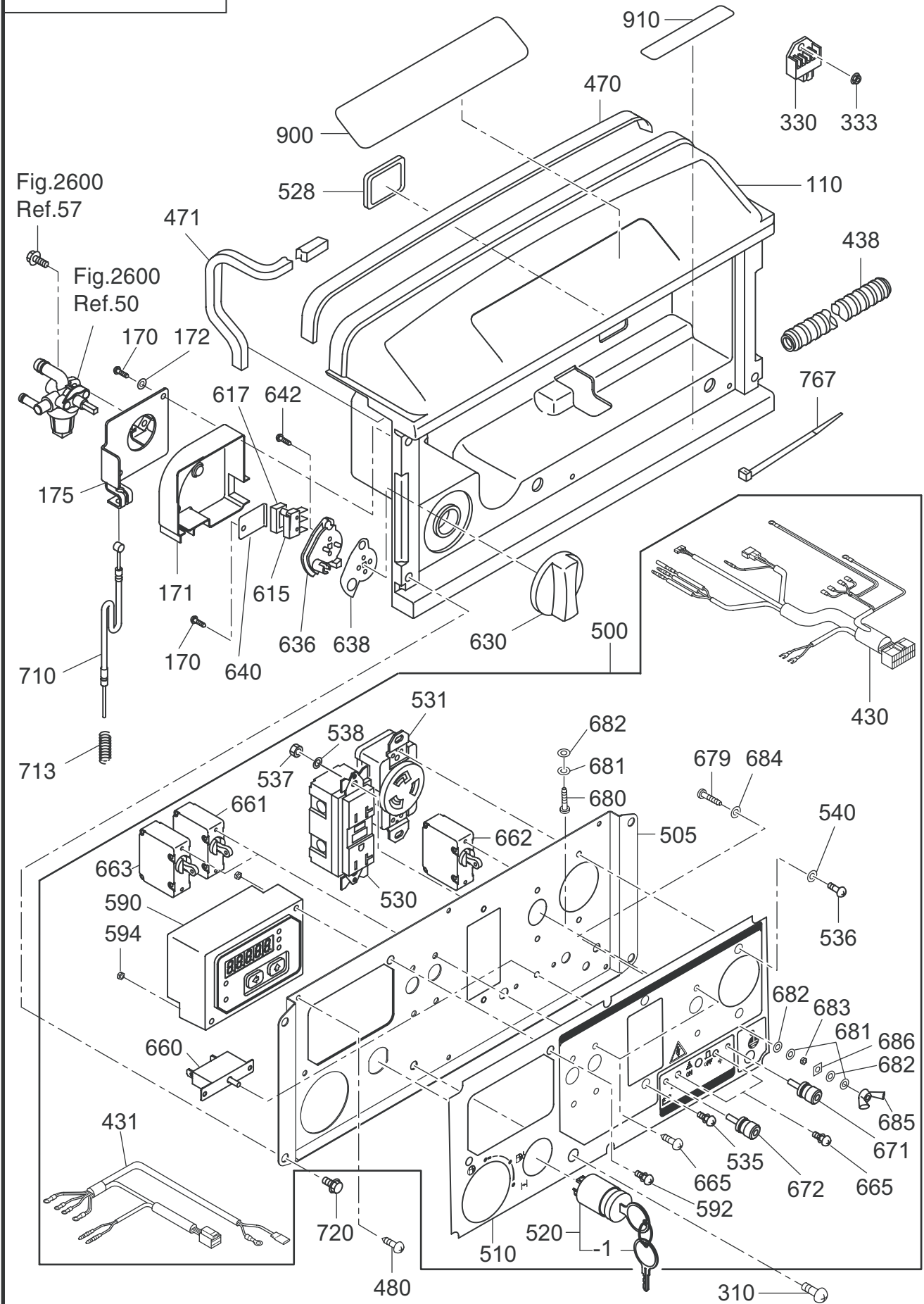


FIG. 2400



24 CONTOROL

REF.	PART NUMBER	PART NAME	QTY	R E M A R K S	CODE NO.	INTERCHANGE P/NO.	UNIT P	FIG.
110	33B-50001-01	FRONT COVER(UPPER)CP	1		-			2400
170	015-00400-70	TAPPING SCREW	3	M4X20L	-			2400
171	33B-46001-03	COVER(COCK)	1		-			2400
172	003-10040-00	WASHER	2		-			2400
175	33B-46012-11	BRACKET(COCK)	1		-			2400
310	004-36061-60	SCREW AND WASHER AY	2	M6X1.0X16L W/W, SW	-			2400
330	33B-47203-01	REGULATOR CP	1		-			2400
333	002-38060-00	FLANGE NUT	1	M6X1.0X13DX6H	-			2400
430	34B-48005-01	WIRE HARNESS CP	1		-			2400
431	33B-48062-21	WIRE HARNESS CP	1		-			2400
438	34J-49001-03	CORRUGATED TUBE	1		-			2400
470	34B-57311-03	SEAL SPONGE FC2	1		-			2400
471	34G-47001-03	SEAL SPONGE(C.BOX 1)	1		-			2400
480	353-49904-08	TAPPING SCREW	6		-			2400
500	34D-45C21-20	CONTROL PANEL AY	1		-			2400
505	33B-45018-01	PANEL PLATE CP	1		-			2400
510	34B-49135-03	SHEET(PANEL VS)35	1		-			2400
520	066-00003-30	SWITCH	1		-			2400
- 1	066-00099-80	KEY, SWITCH	2	MARK 103	-			2400
528	227-75001-03	GROMMET	1		-			2400
530	388-85003-01	AC RECEPTACLE	1	125V-20A	-			2400
531	356-45711-08	AC RECEPTACLE	1	125V-30A	-			2400
535	004-35041-00	SCREW AND WASHER AY	2		-			2400
536	356-59937-08	SCREW	2		-			2400
537	002-27040-00	NUT	2		-			2400
538	003-10040-00	WASHER	2		-			2400
540	326-00335-08	SPRING WASHER	2		-			2400
590	KU3-11760-11	MONITOR C/U CP(INV1)	1		-			2400
592	013-10400-80	SCREW AND WASHER AY	2		-			2400
594	002-17040-00	NUT	2		-			2400
615	33K-41811-03	MICRO SWITCH	1		-			2400
617	33D-46040-03	SPACER(SWITCH)	1		-			2400
630	33K-42010-03	CONTROL DIAL	1		-			2400
636	33K-42020-03	CHOKE REEL	1		-			2400
638	33K-42030-23	PLATE	1		-			2400
640	33B-46015-01	BRACKET(MICRO)	1		-			2400
642	33K-41814-08	TAPPING SCREW	2		-			2400
660	32B-43041-03	CIRCUIT BREAKER	1	DC 10A	-			2400
661	32B-43161-01	CIRCUIT BREAKER	1		-			2400
662	32B-43166-01	CIRCUIT BREAKER	1	AC 30A	-			2400

FIG. 2400

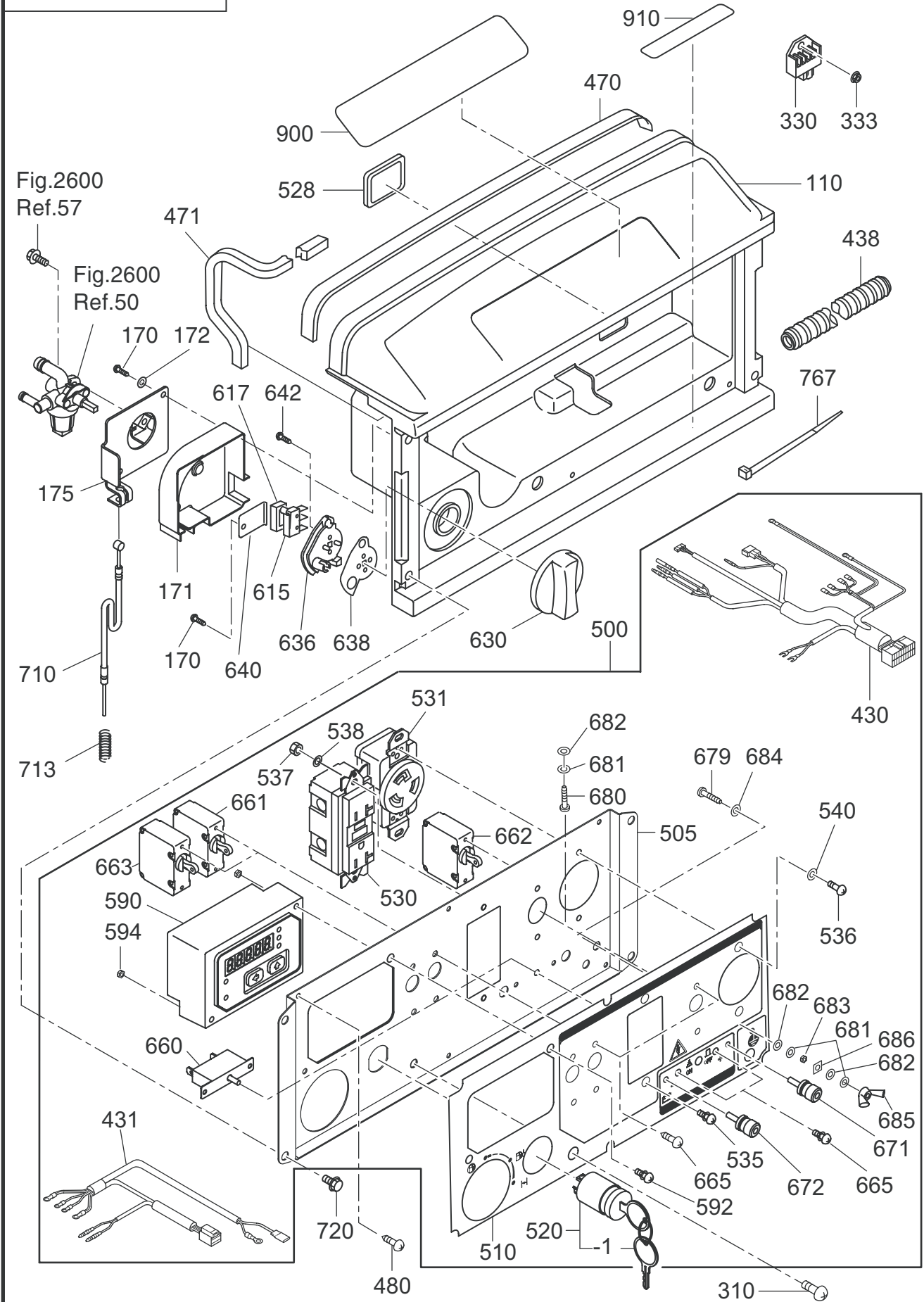


FIG. 2500

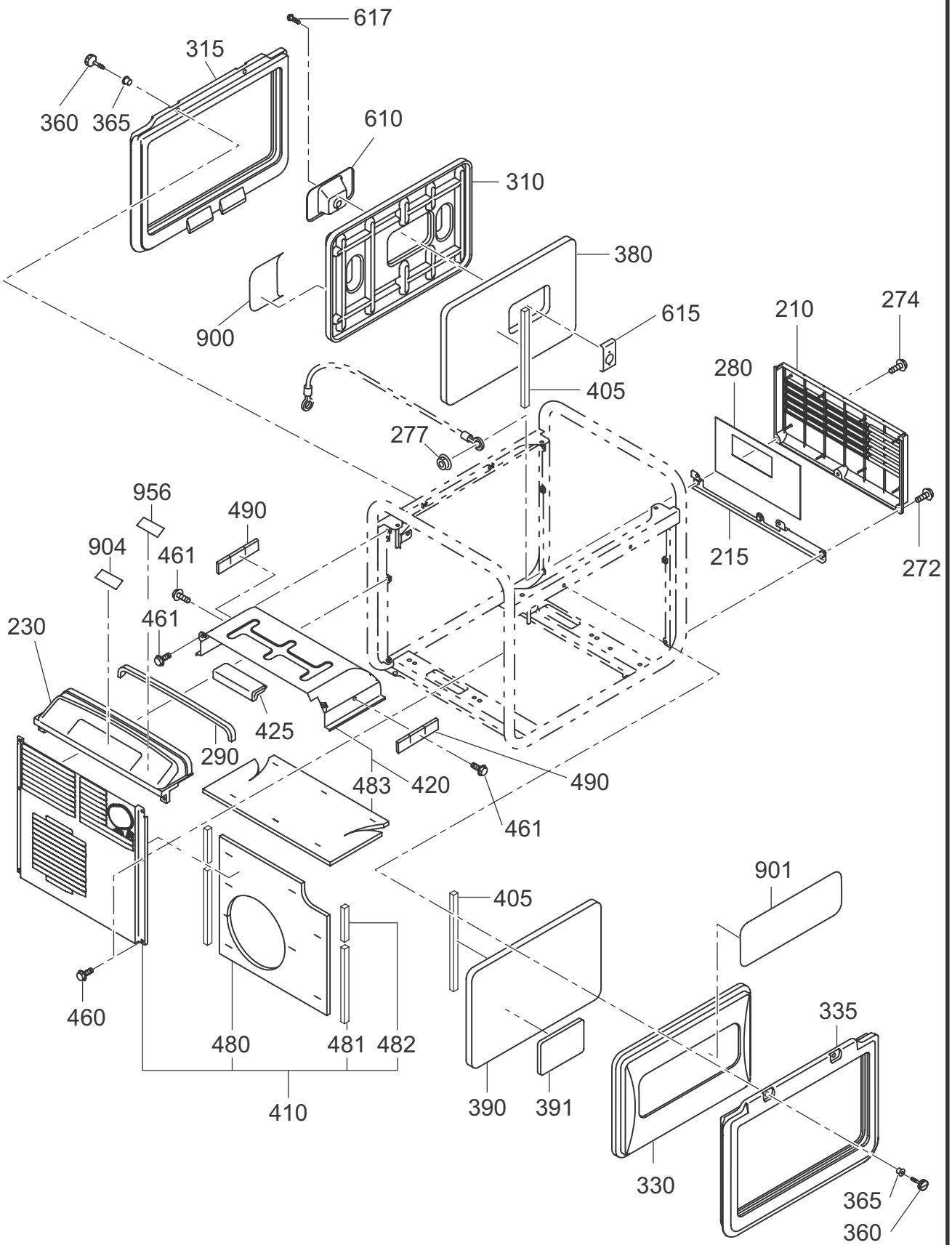


FIG. 2510

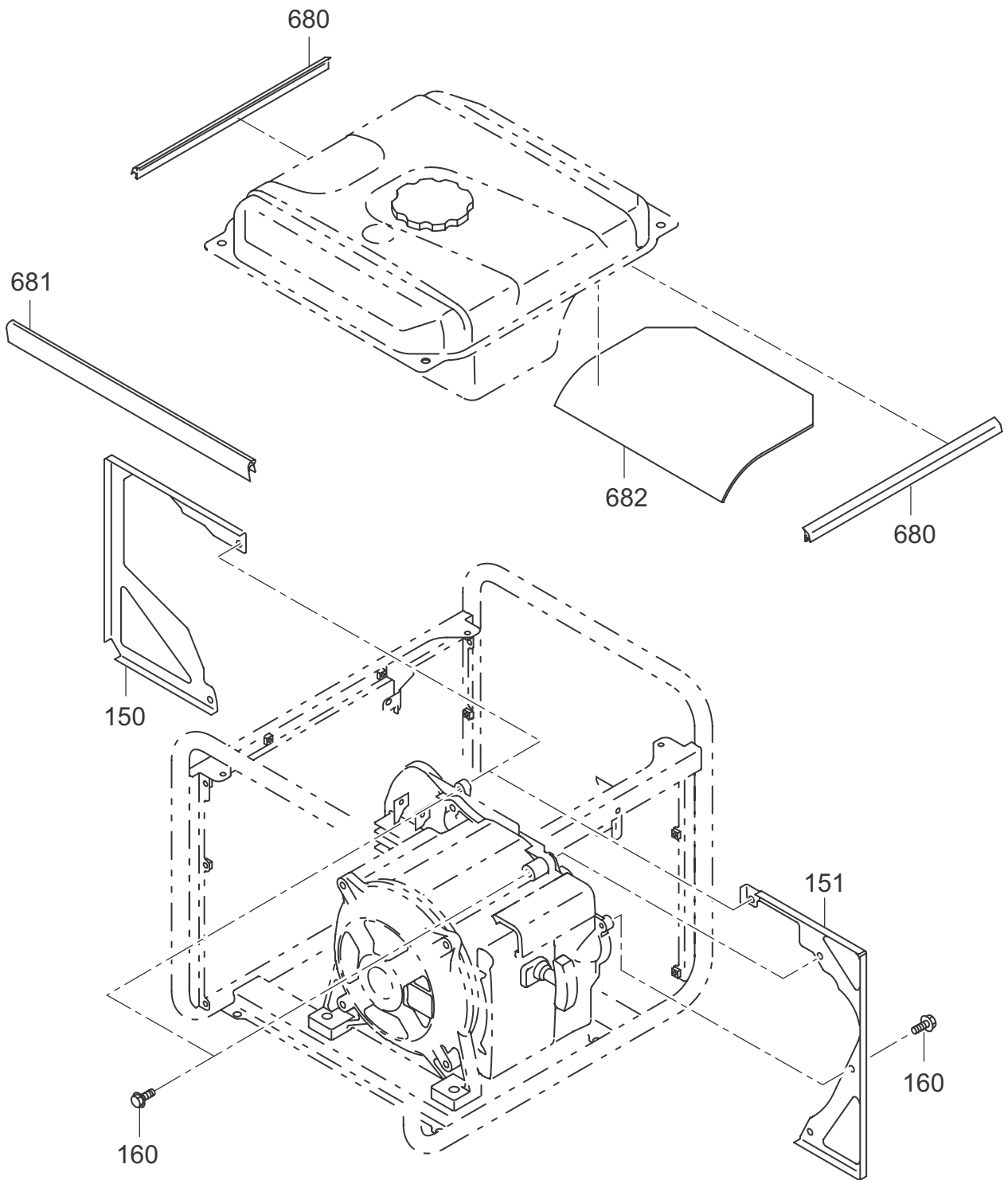


FIG. 2600

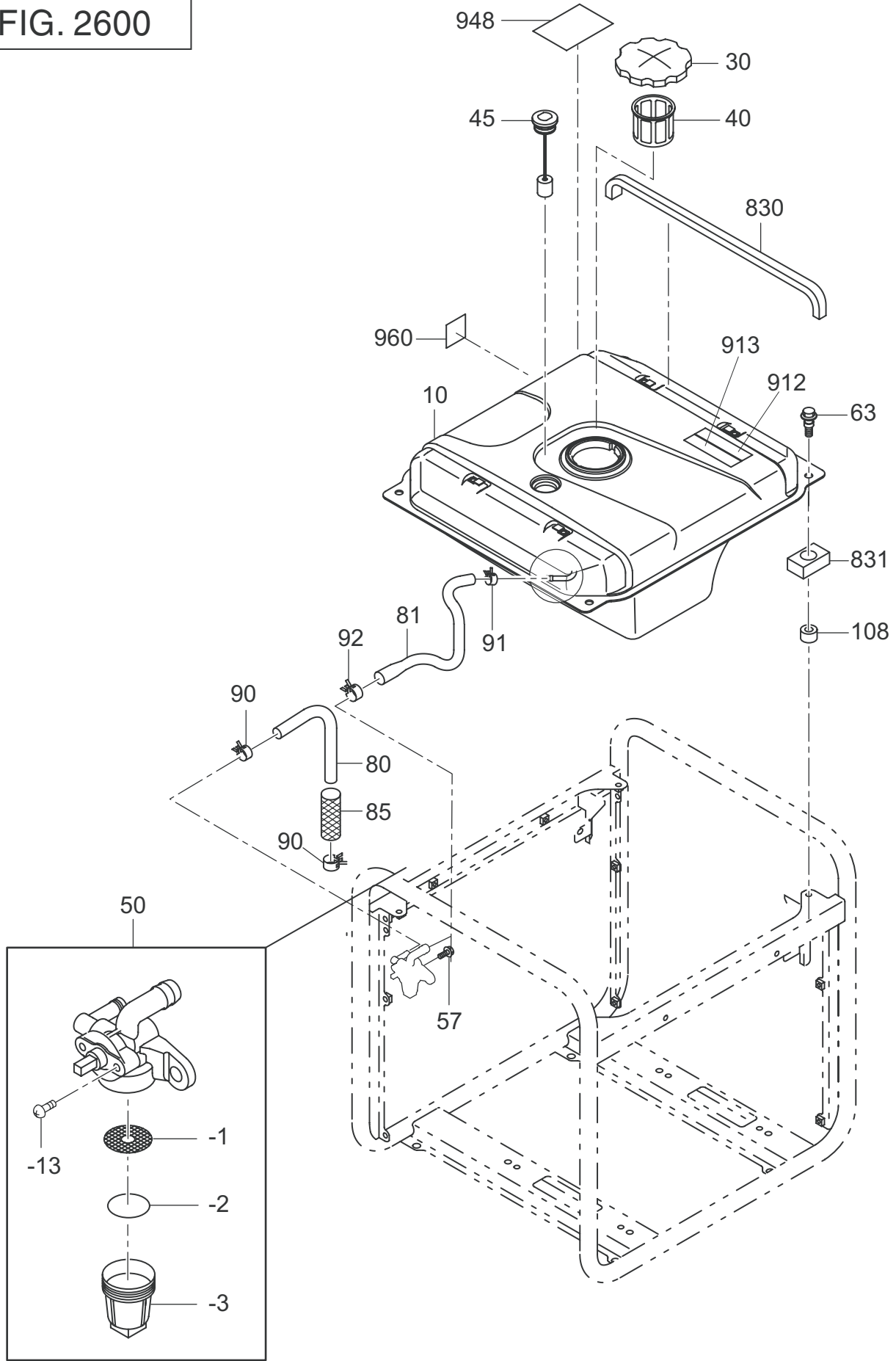


FIG. 2900

