

Generator

Model RGX2900

for RAI

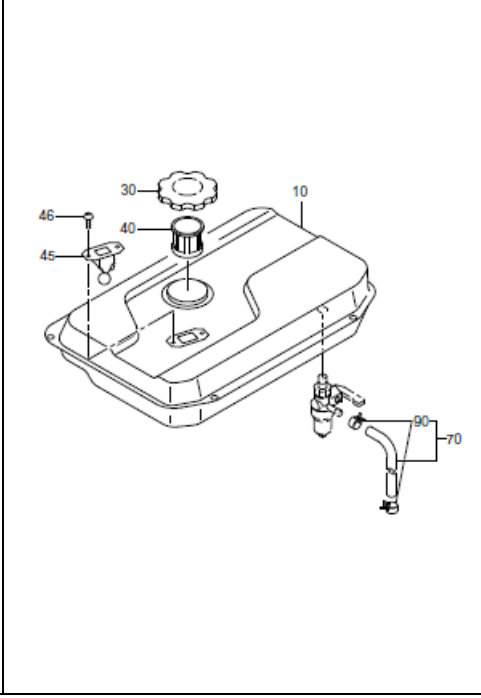
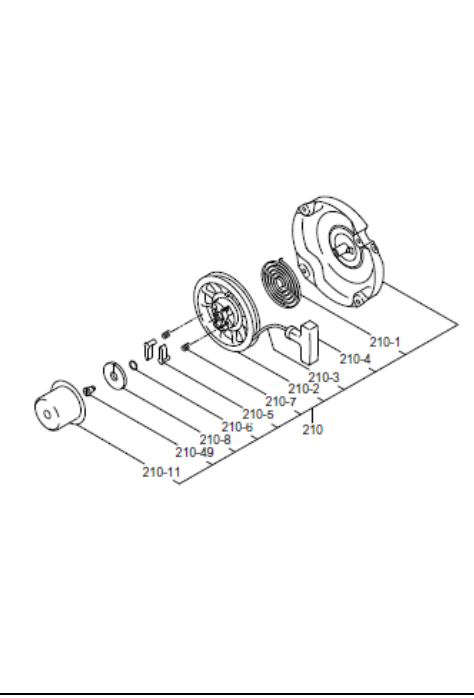
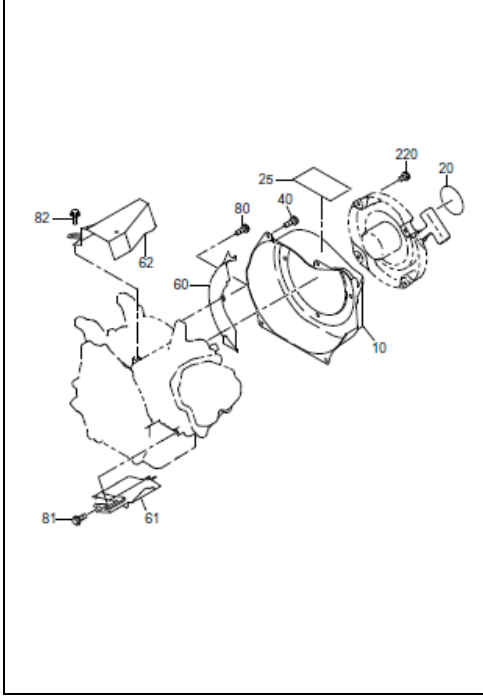
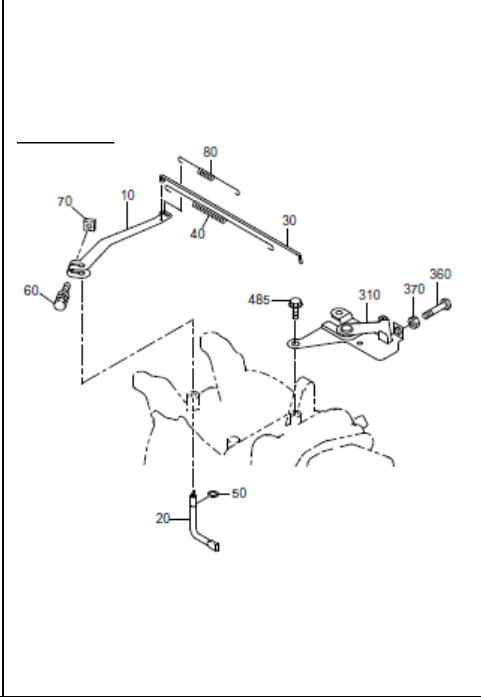
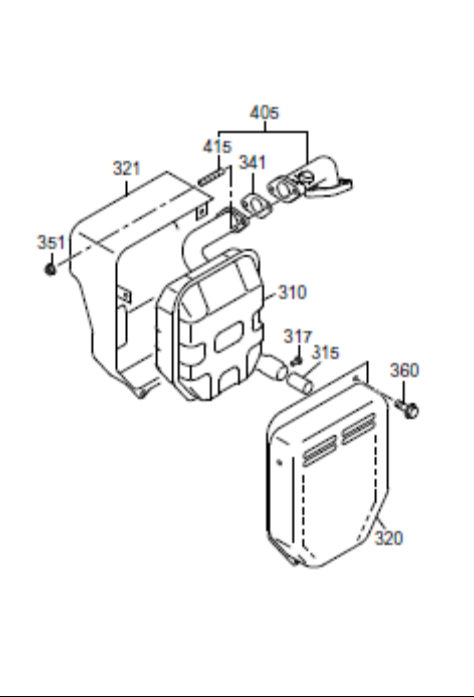
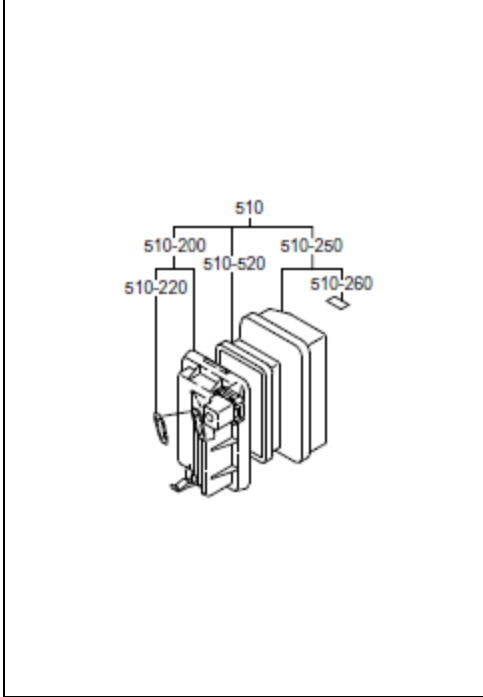
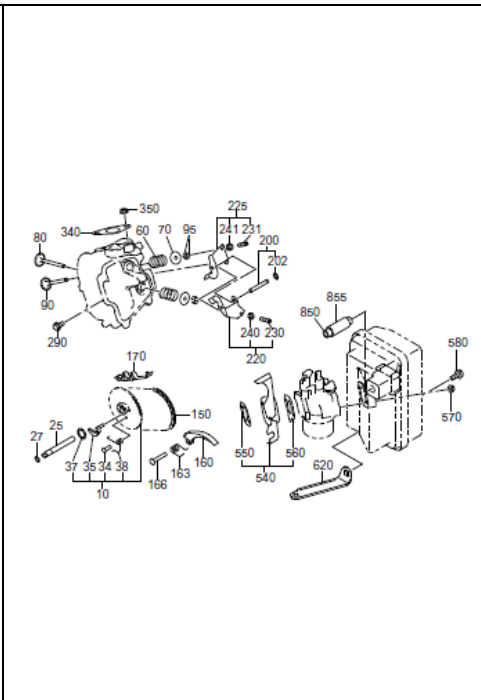
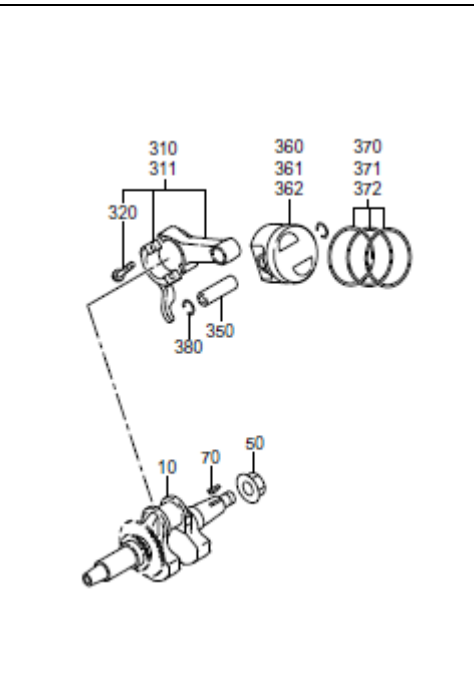
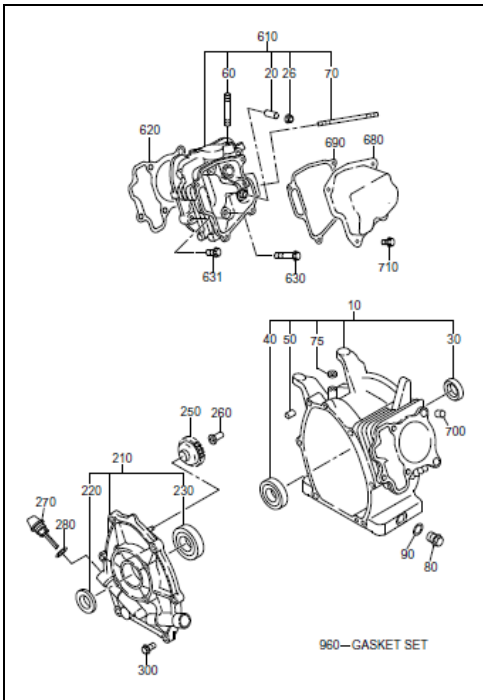
PARTS CATALOG

Model	Spec. No. (Engine.)
RGX2900	RLE29043030 (EX170D20541)
	RLE29043031 (EX170D20542)

FUJI HEAVY INDUSTRIES LTD.

ISSUE EMD-GP6428

ISSUE DATE 2007.5



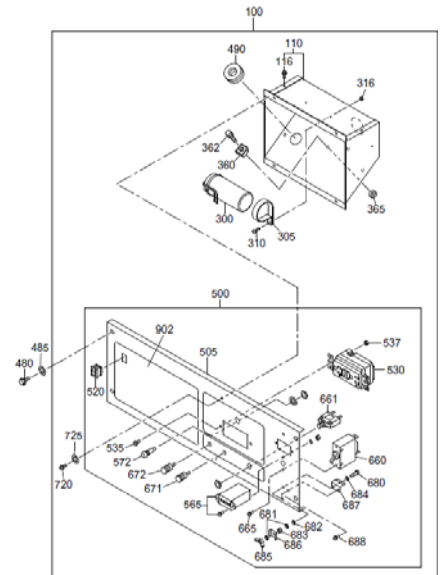
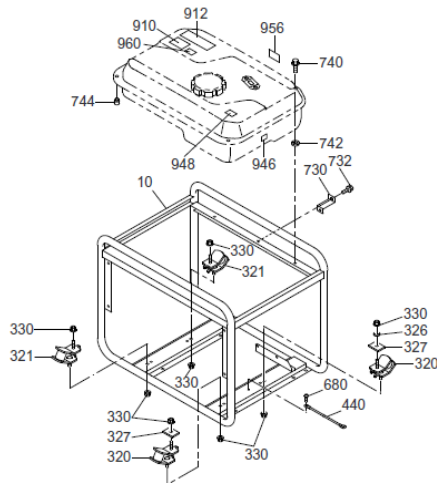
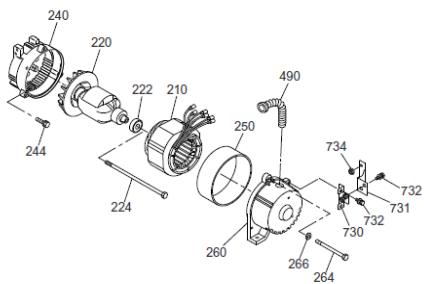
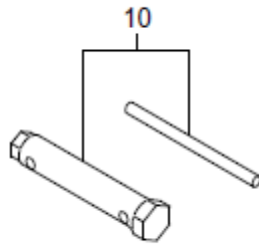
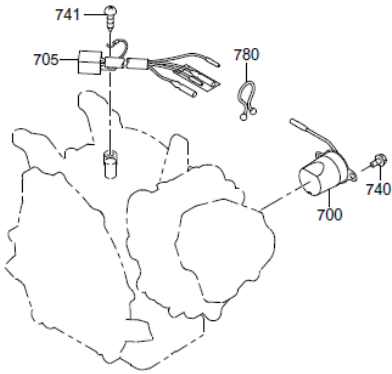
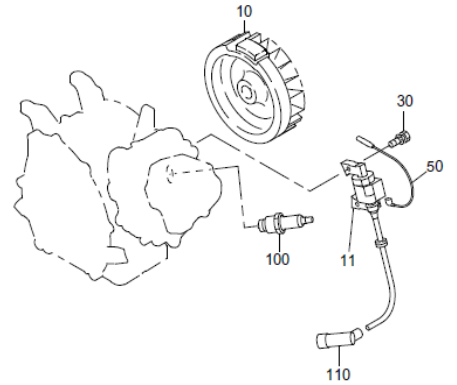
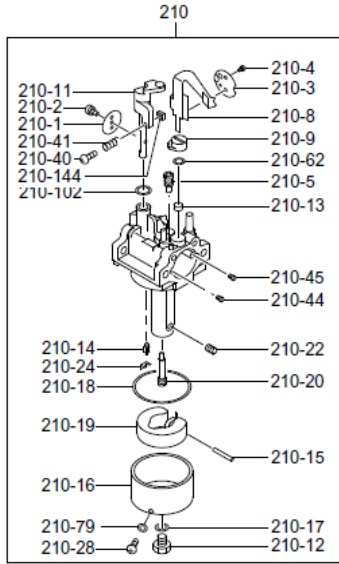
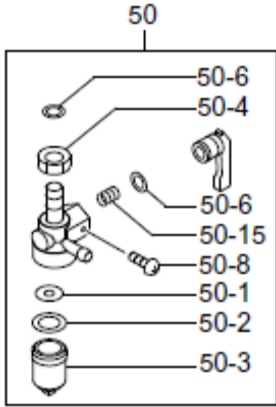


FIG. 100

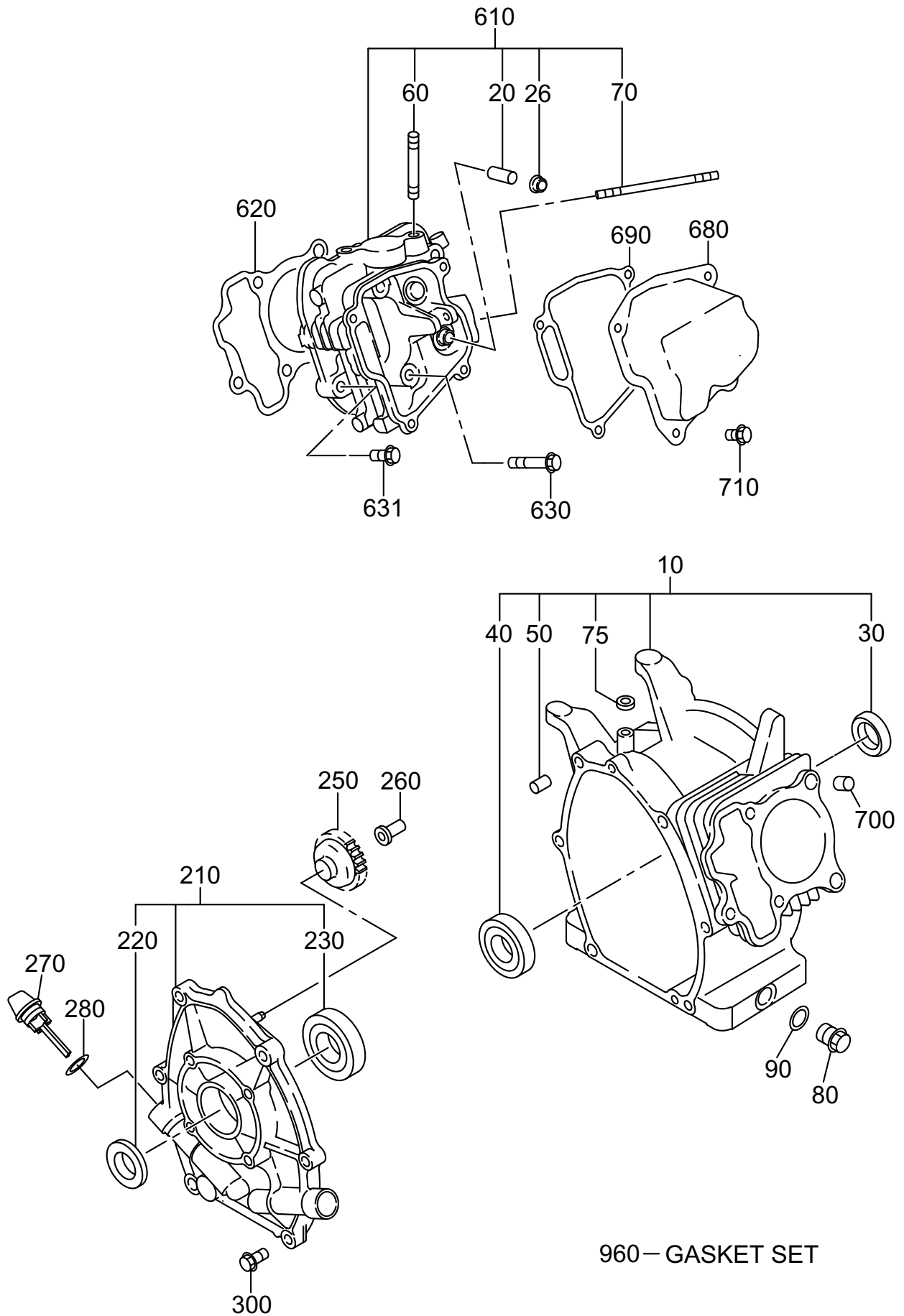


FIG. 200

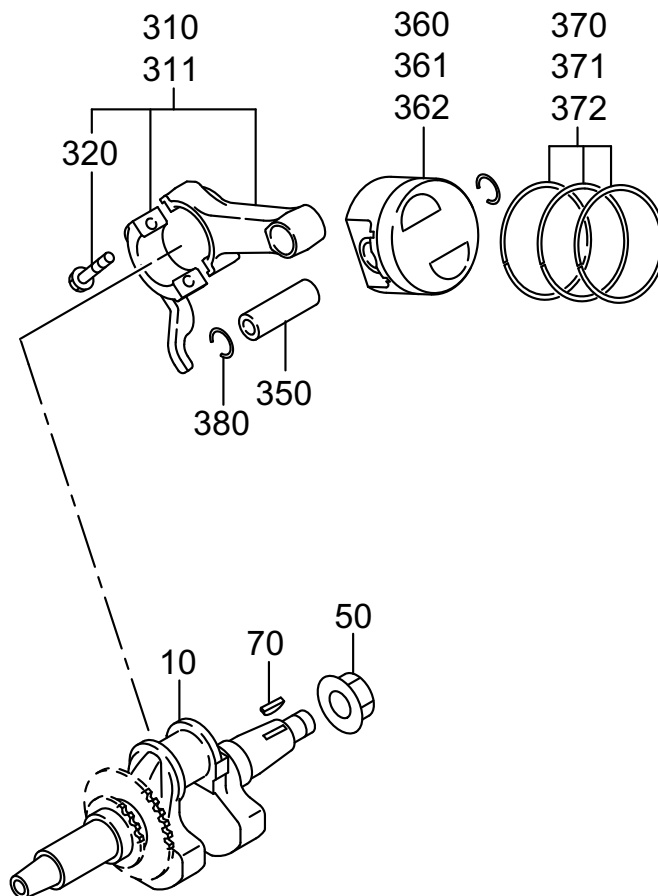


FIG. 301

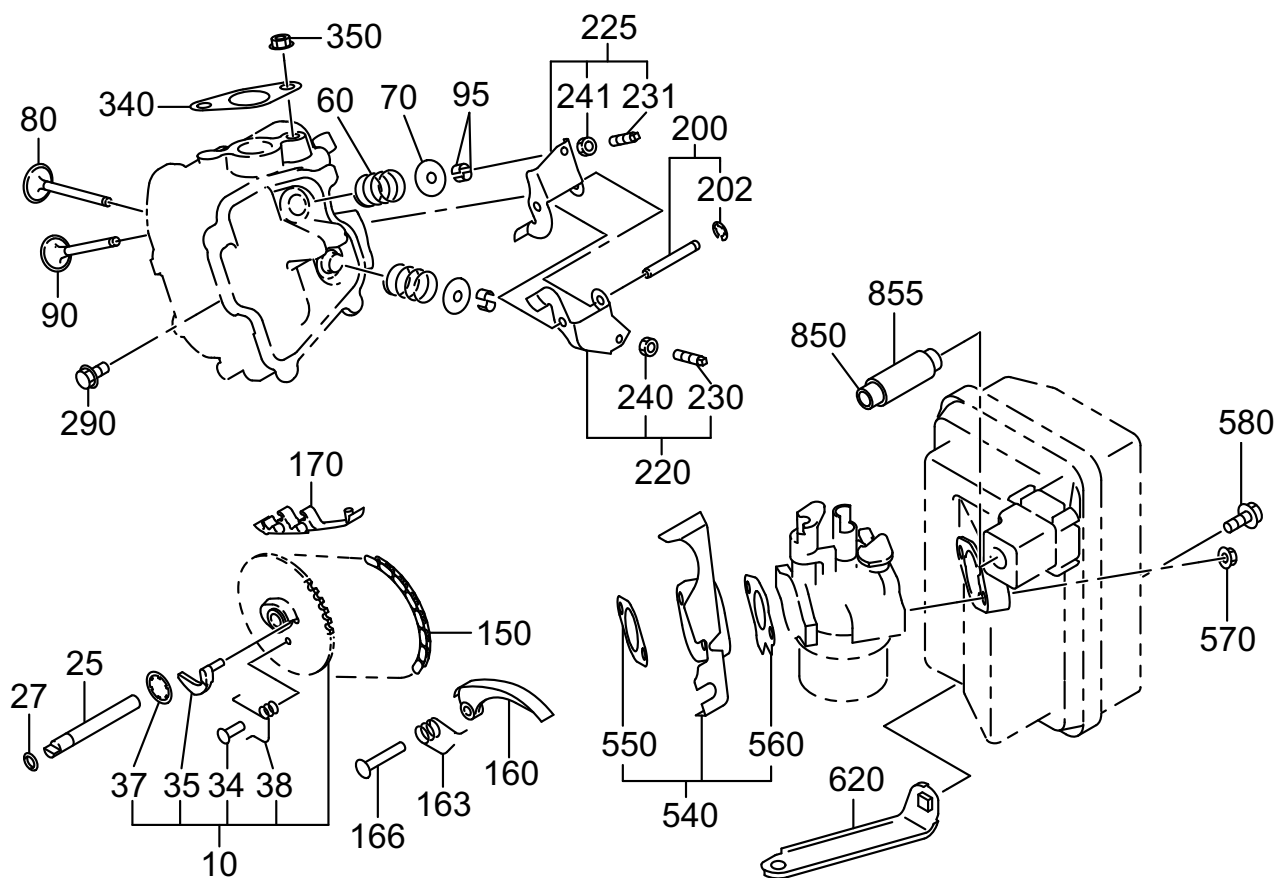


FIG. 317

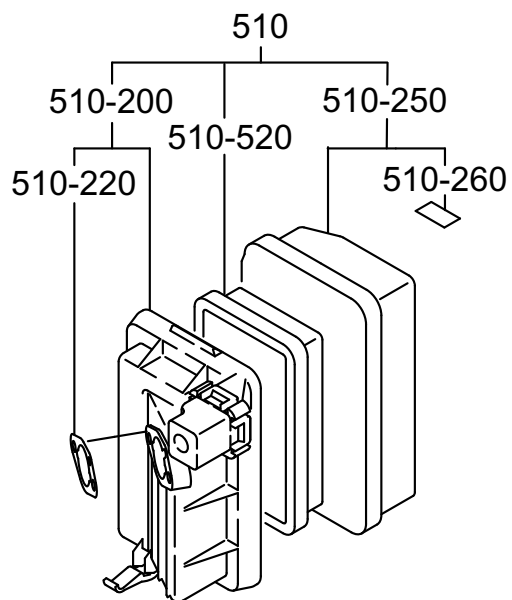


FIG. 330

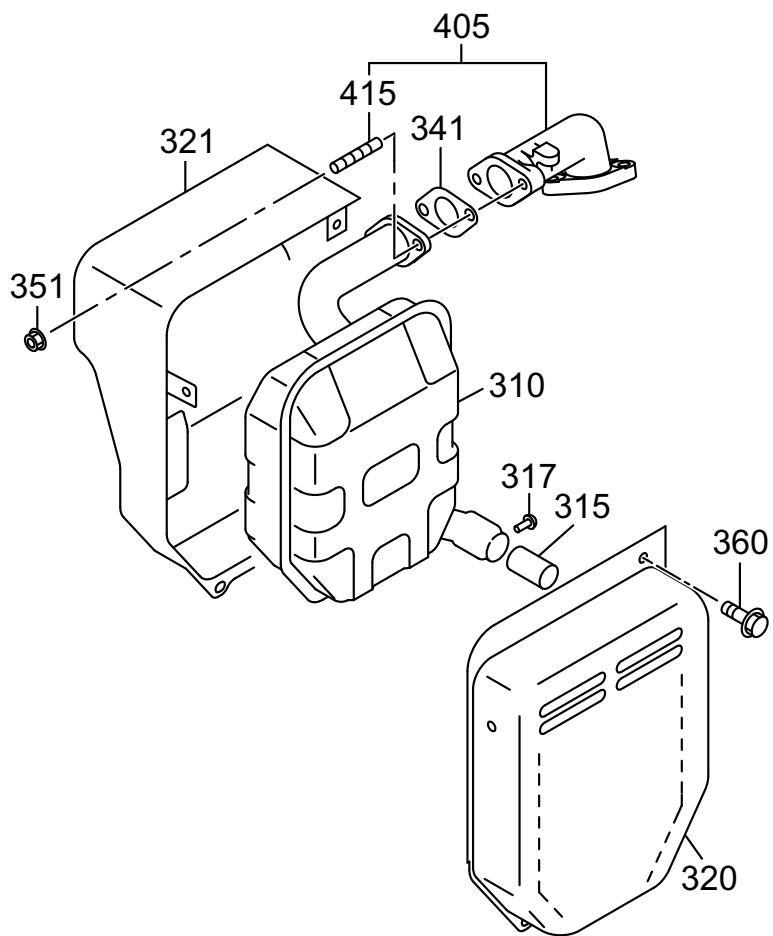


FIG. 400

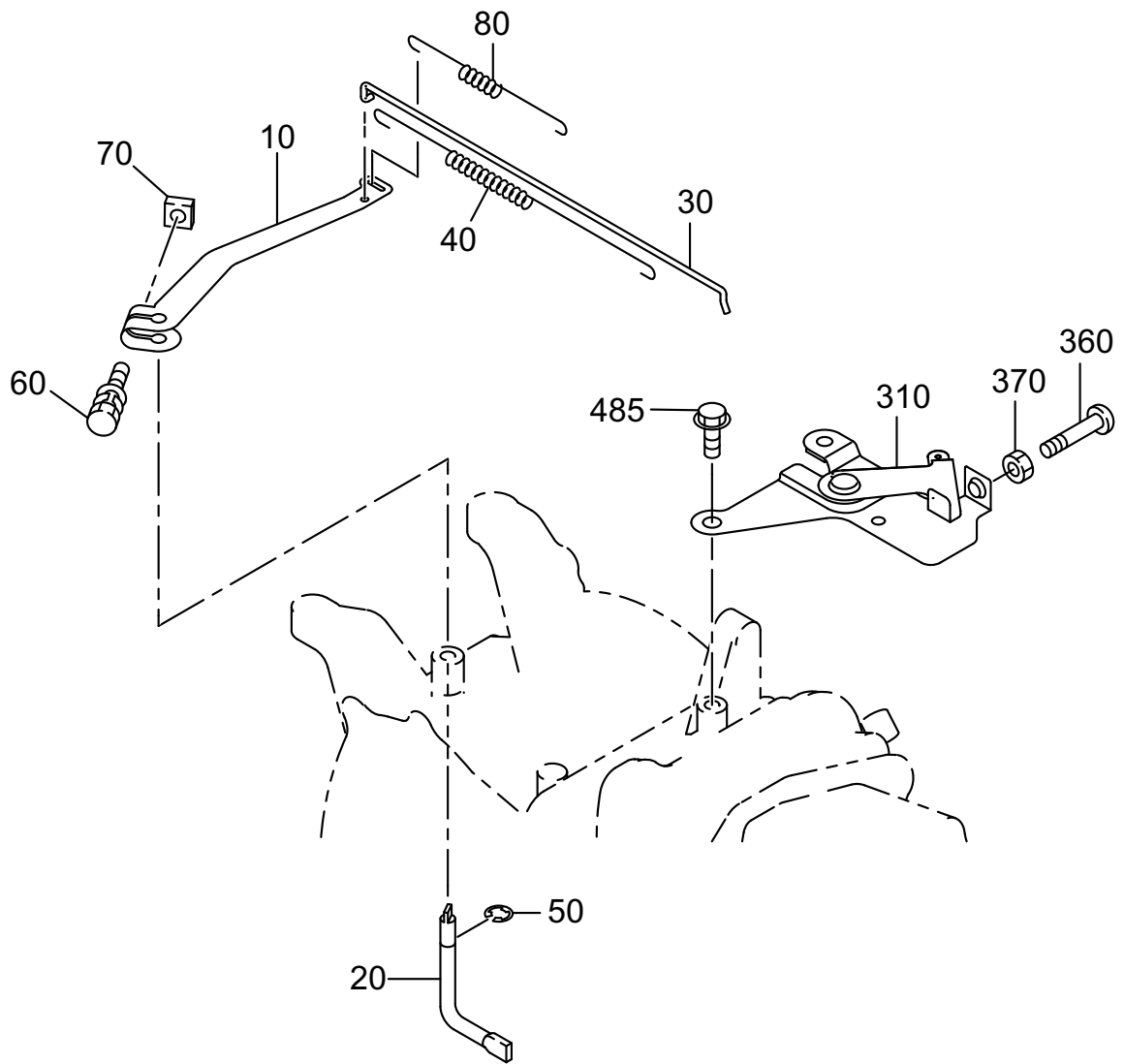


FIG. 500

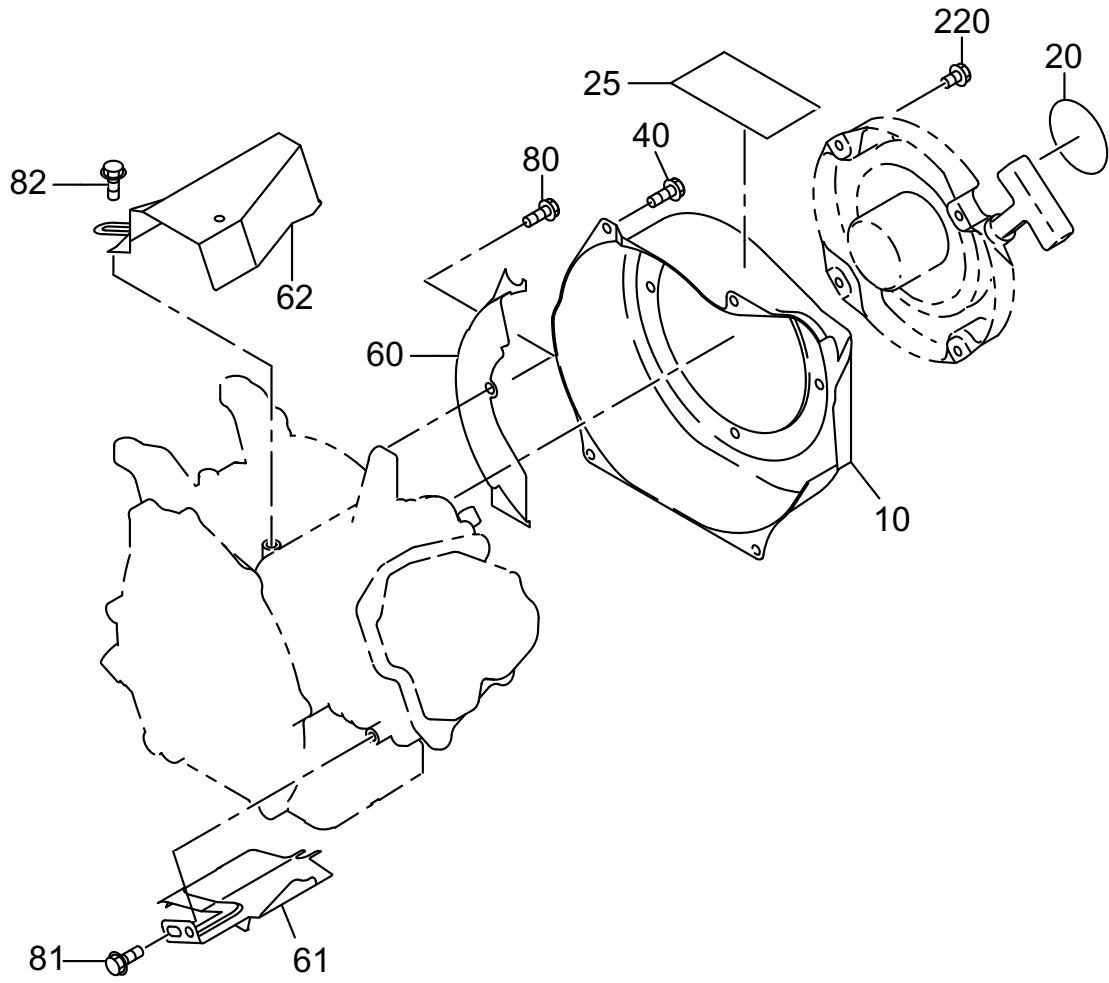


FIG. 520

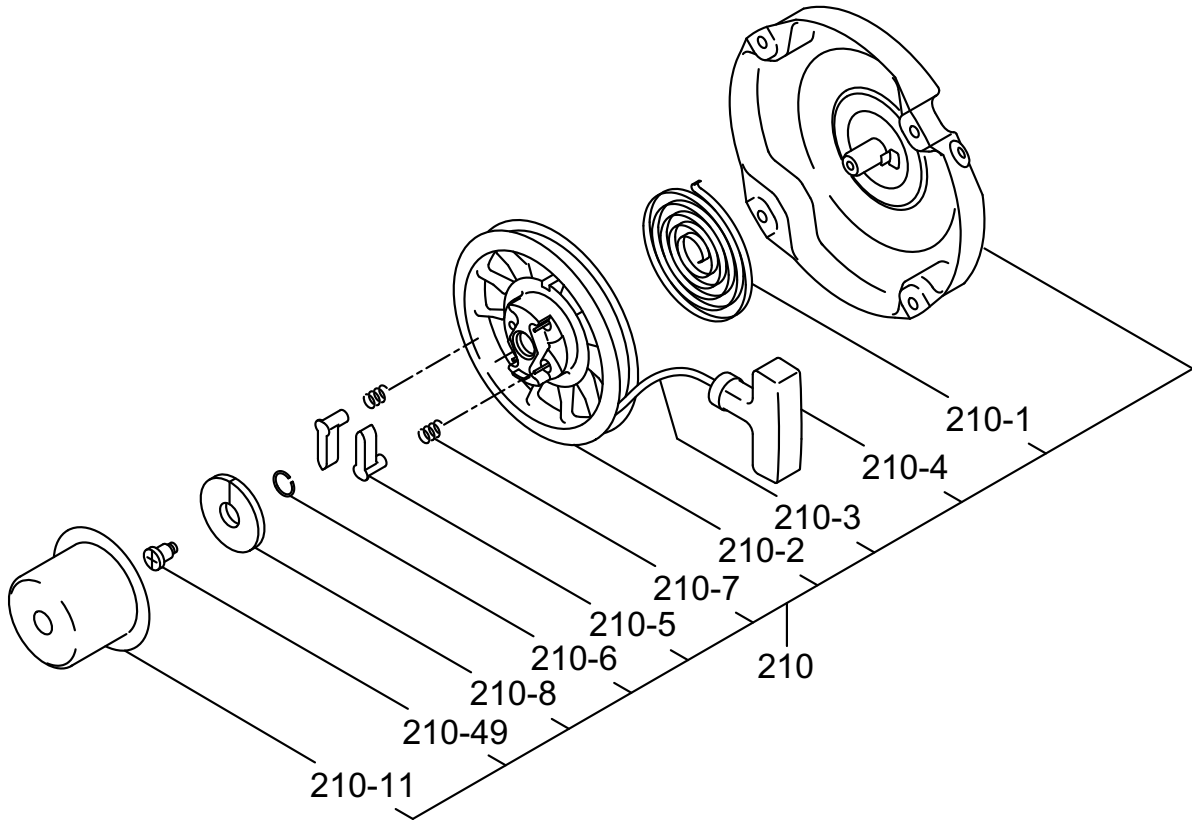


FIG. 600

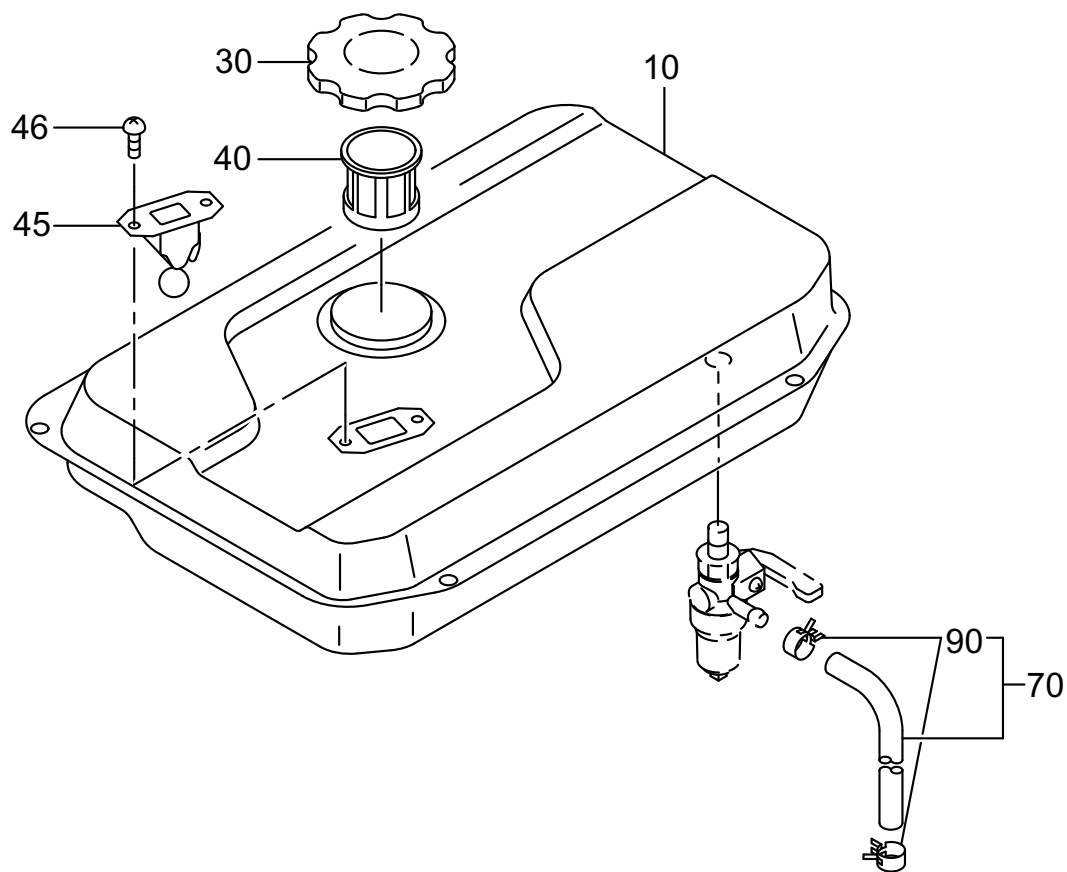


FIG. 630

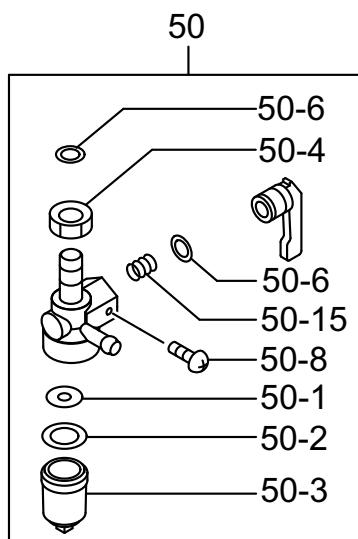


FIG. 640

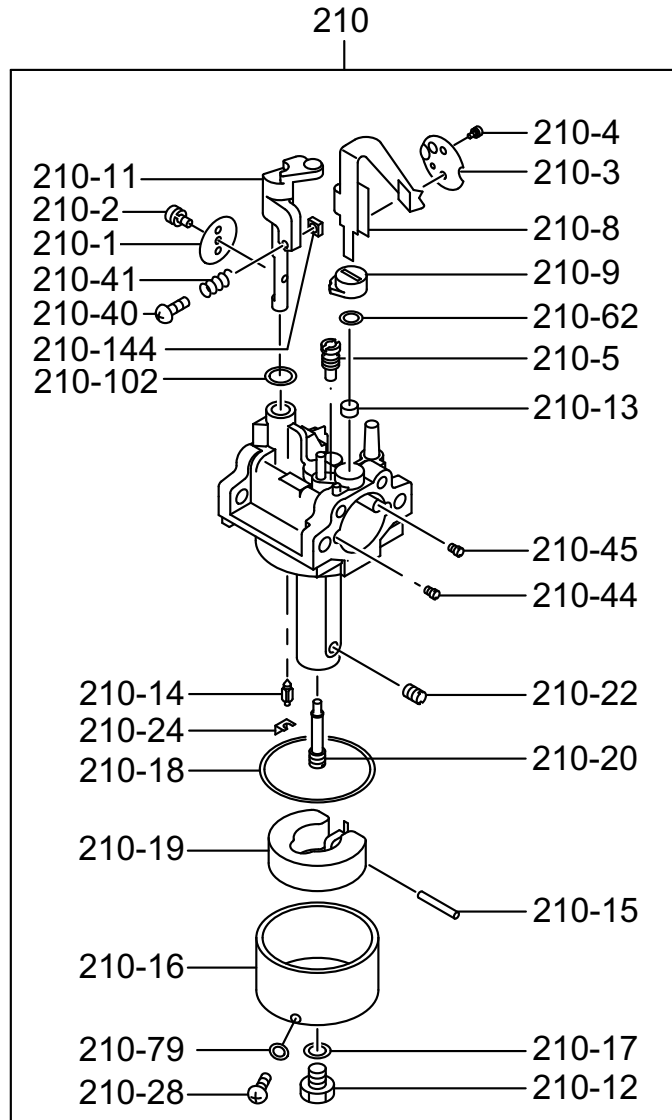


FIG. 700

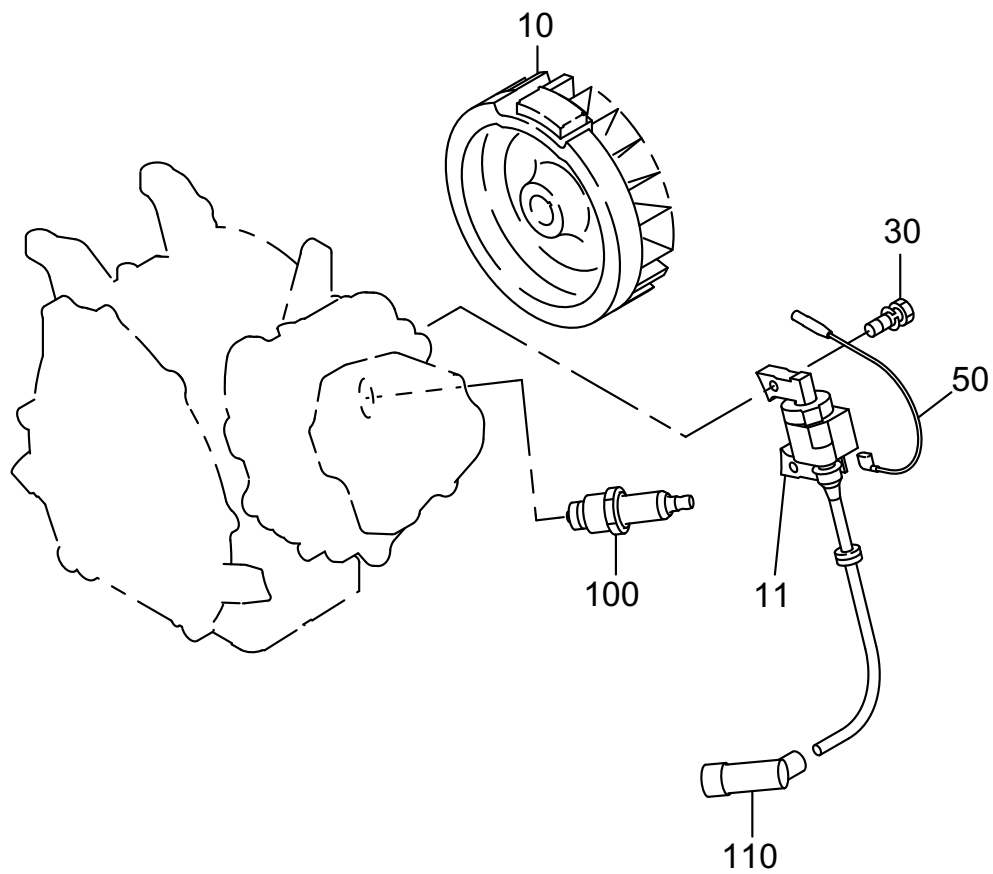


FIG. 770

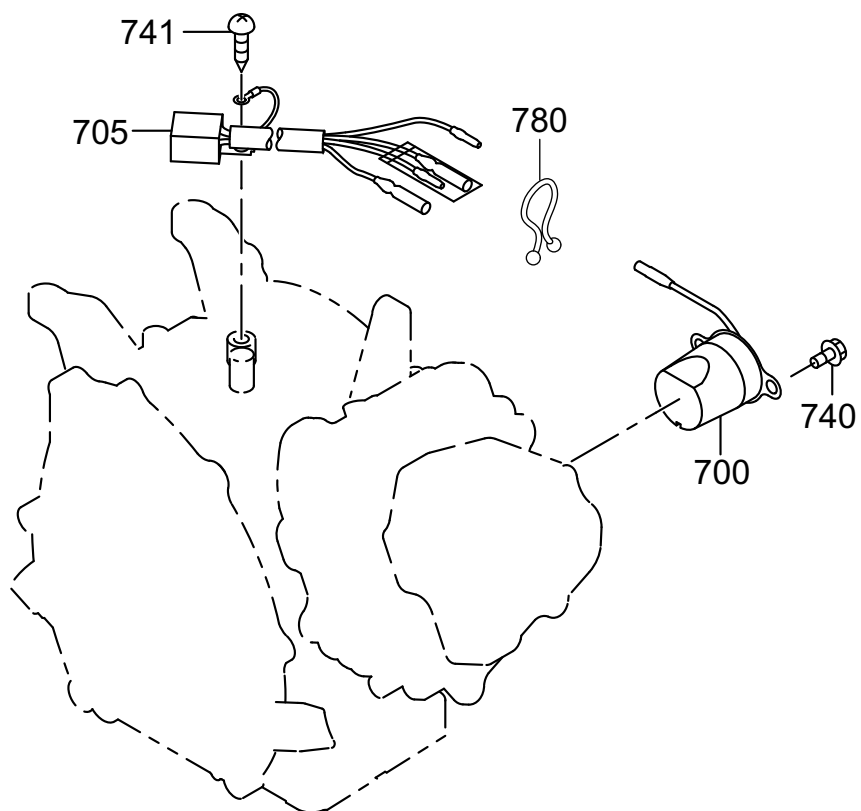


FIG. 900

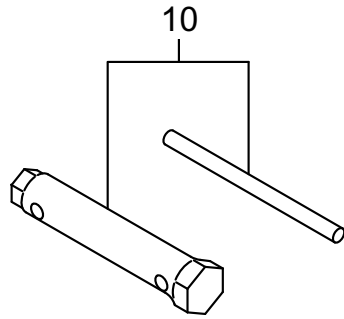


FIG. 2200

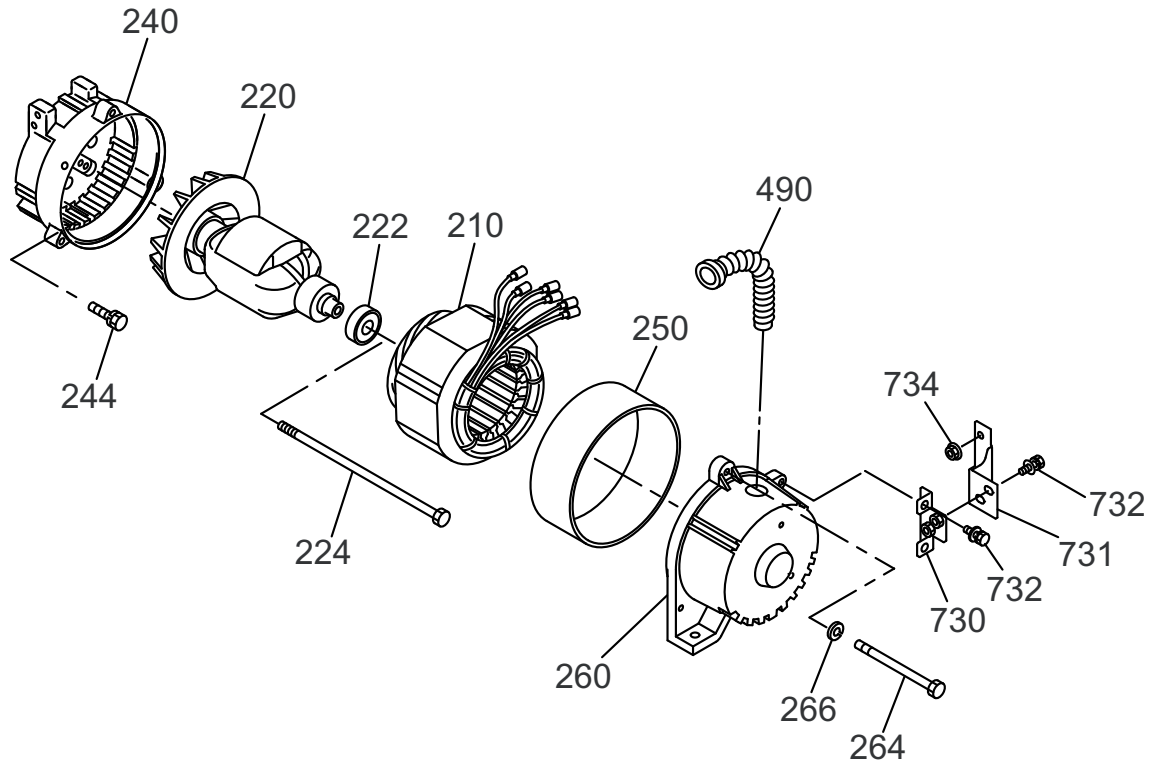


FIG. 2300

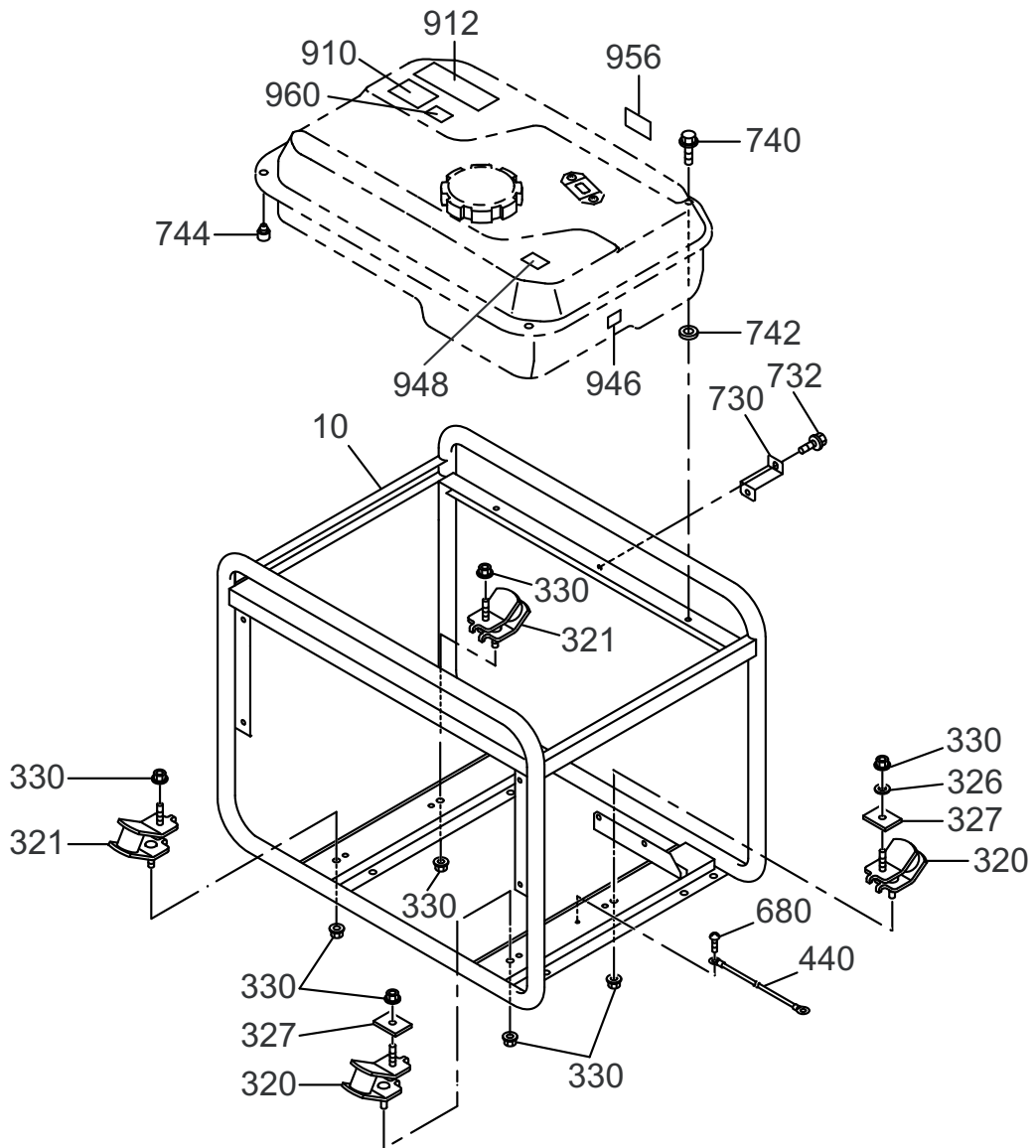
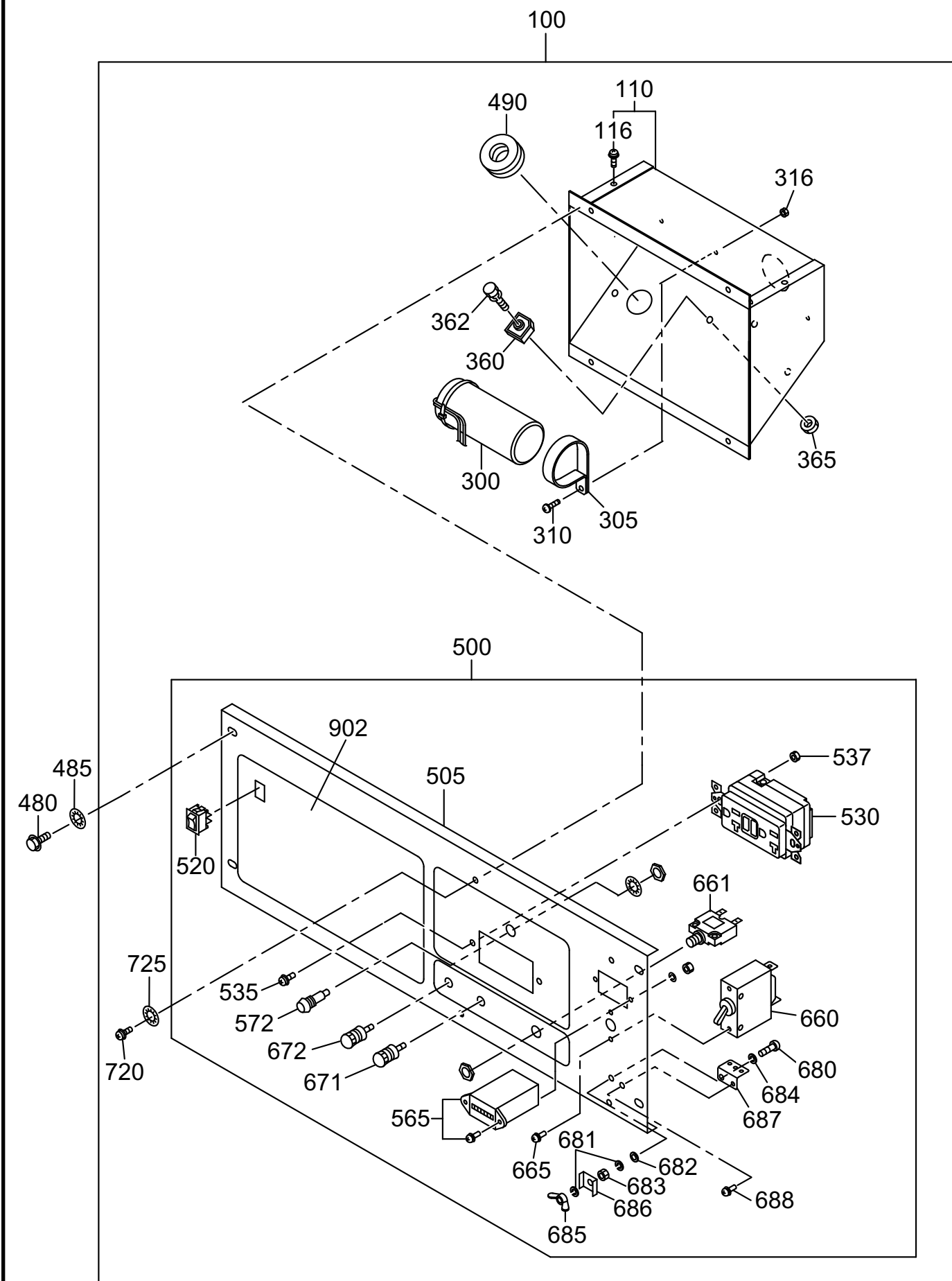


FIG. 2400



24 CONTROL BOX

REF. NO.	PART NUMBER		PART NAME		CODE No. FROM - TO	QTY	REMARKS	INTERCHANGEABLE PART NUMBER	FIG. NO.
		PART NUMBER		SPEC.No.					
100	35A-70103-00			CONTROL BOX AY	-	1			2400
110	35A-71103-02			CONTROL BOX UN	-	1			2400
116	359-59929-08			SCREW & WASHER AY	-	4			2400
300	31E-74000-01			CONDENSER CP	-	1			2400
305	30G-47605-08			CONDENSER HOLDER	-	1			2400
310	390-49972-08			SCREW	-	1			2400
316	002-17040-00			NUT	-	1			2400
360	353-45804-08			DIODE STACK AY	-	1			2400
362	004-36042-00			SCREW AND WASHER	-	1			2400
365	002-17040-00			NUT	-	1			2400
480	35C-72014-03			FLANGE BOLT	-	4			2400
485	35C-72013-03			ROCK WASHER	-	2			2400
490	024-11200-30			GROMMET(12-19)	-	1			2400
500	35A-70210-00			PANEL A AY	-	1			2400
505	35A-71212-02			PANEL CP	-	1			2400
520	35A-72002-03			ROCKER SWITCH	-	1			2400
530	35C-72008-03			AC RECEPTACLE	-	1			2400
535	351-49920-08			SCREW & WASHER AY	-	2			2400
537	002-37040-00			FLANGE NUT	-	2			2400
565	393-40651-08			HOUR METER	-	1	60HZ		2400
572	31H-75006-03			PILOT LAMP	-	1	RED		2400
660	31B-73011-03			BREAKER	-	1			2400
661	31G-75027-03			BREAKER	-	1			2400
665	31B-79011-03			SCREW & WASHER AY	-	2			2400
671	363-45701-08			TERMINAL BOLT	-	1	RED 20A		2400
672	363-45700-08			TERMINAL BOLT	-	1	BLACK 20A		2400
680	35C-72011-03			SCREW	-	1			2400
681	332-00050-08			SPRING WASHER	-	2			2400
682	353-49903-08			WASHER	-	1			2400
683	353-49902-08			NUT	-	1			2400
684	372-59950-08			LOCK WASHER	-	1			2400
685	353-49901-08			WING NUT	-	1			2400
686	31D-79002-03			CAP WASHER	-	1			2400
687	35C-72010-03			EARTH PLATE	-	1			2400
688	351-49921-08			SCREW & WASHER AY	-	1			2400
720	31B-79012-03			BOLT AND WASHER AY	-	4			2400
725	35C-72012-03			ROCK WASHER	-	2			2400

FIG. 2400

