

Generator

Model R1700i
for RAI

PARTS CATALOG

Spec. No. (Engine.)
RAS17023094 (EH092DN8522)

FUJI HEAVY INDUSTRIES LTD.

ISSUE EMD-GP6431
ISSUE DATE 2007.5

FIG. 100

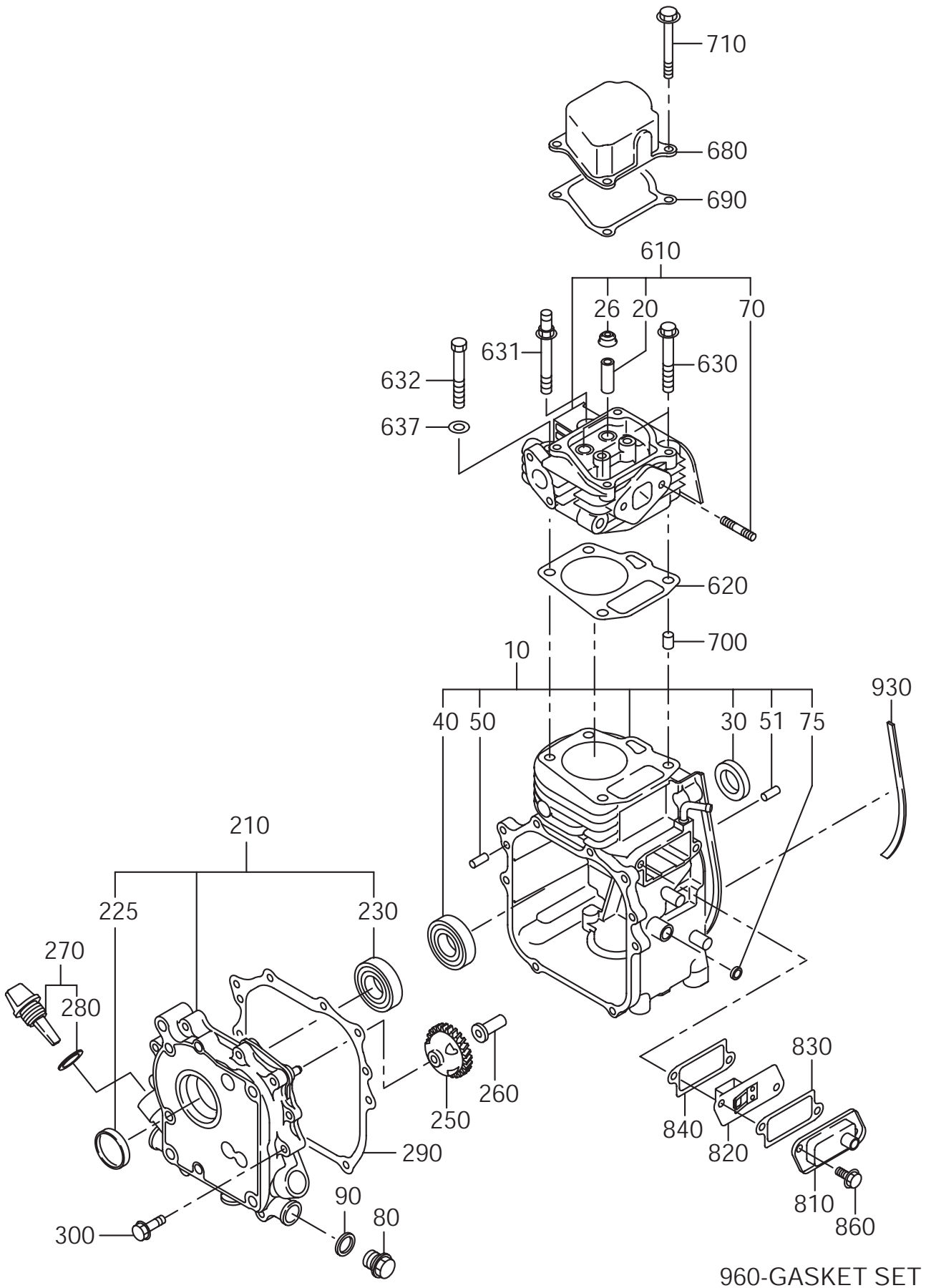


FIG. 200

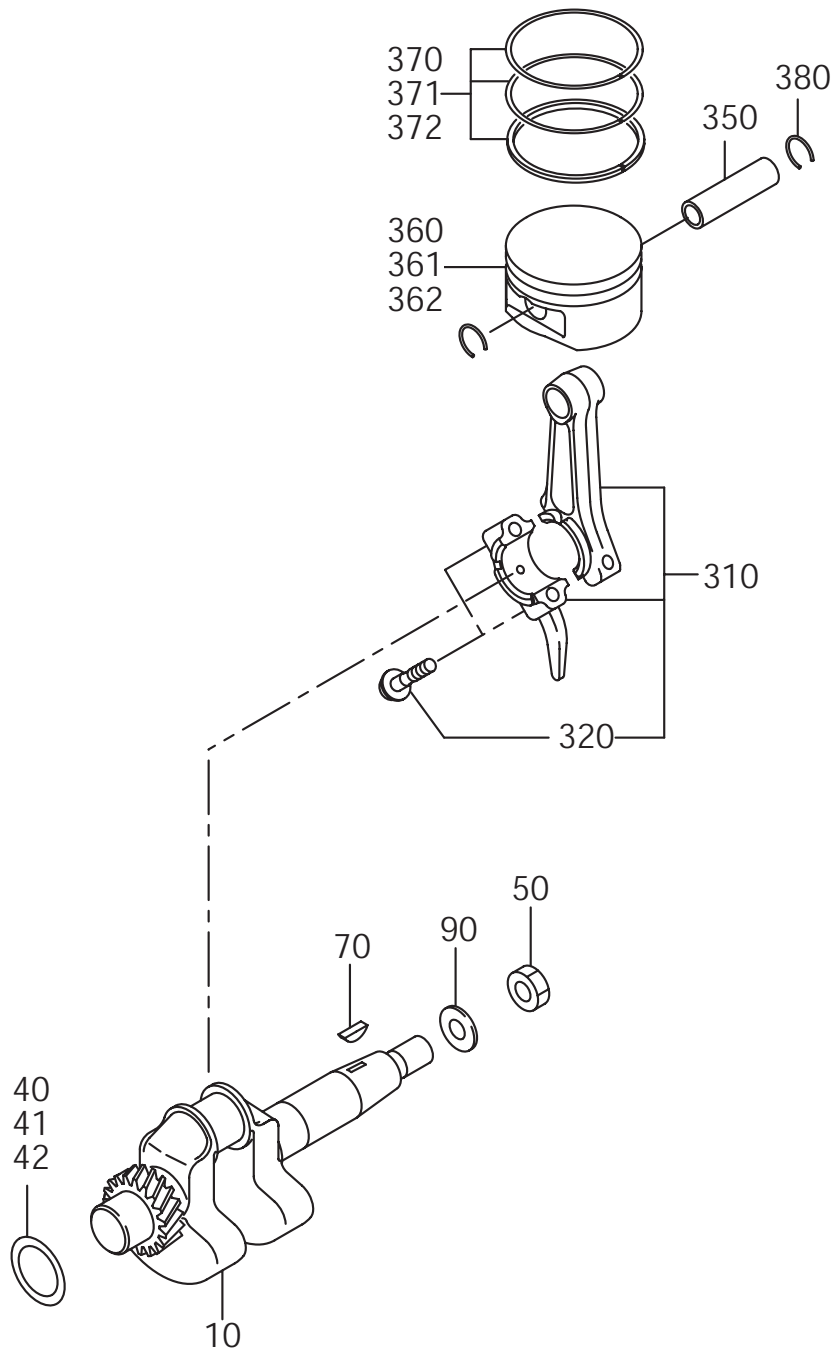


FIG. 300

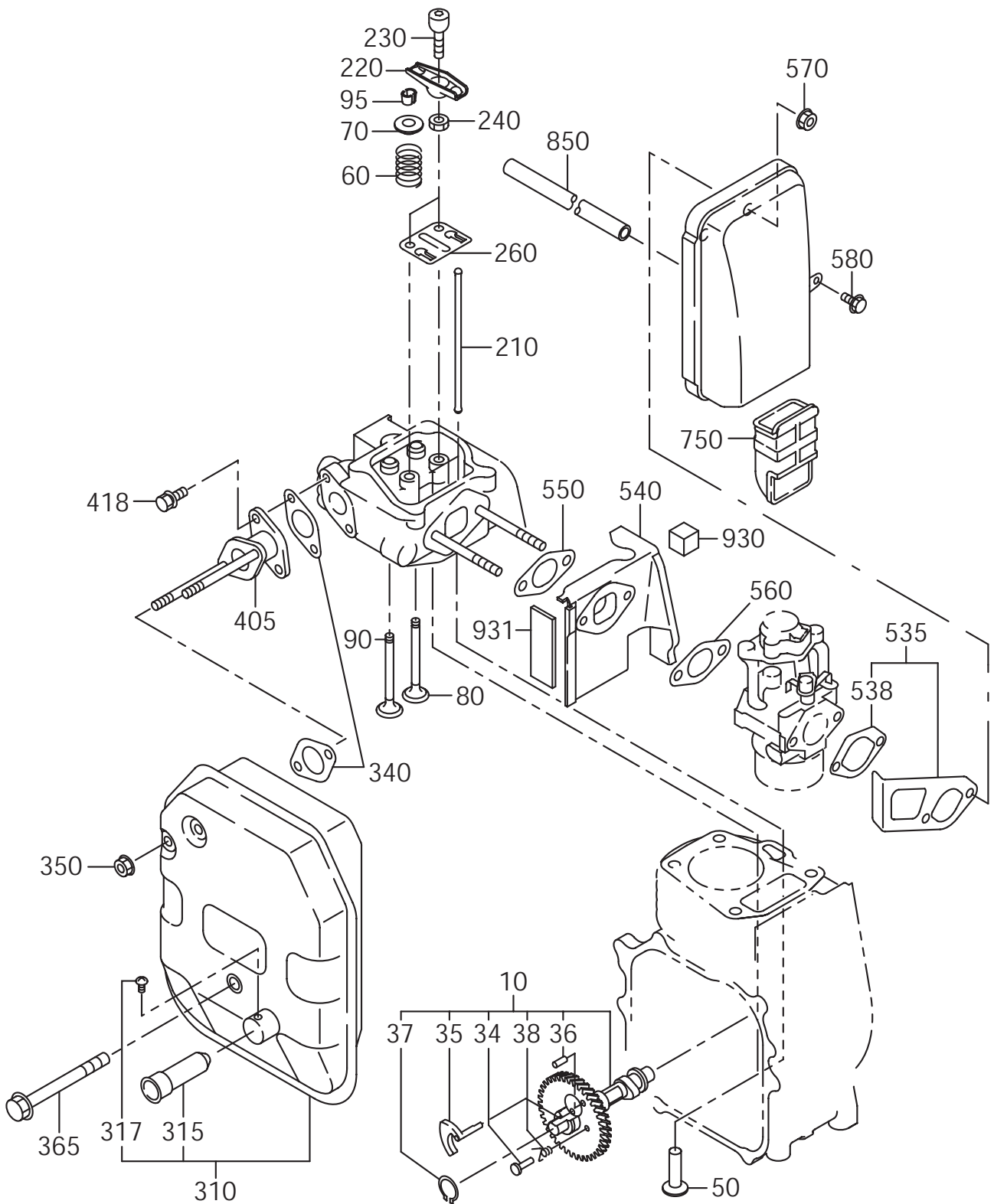


FIG. 315

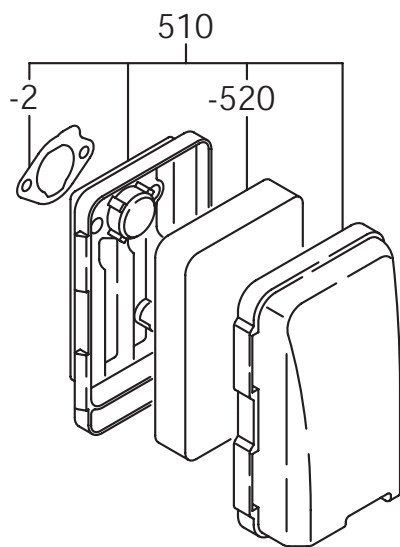


FIG. 400

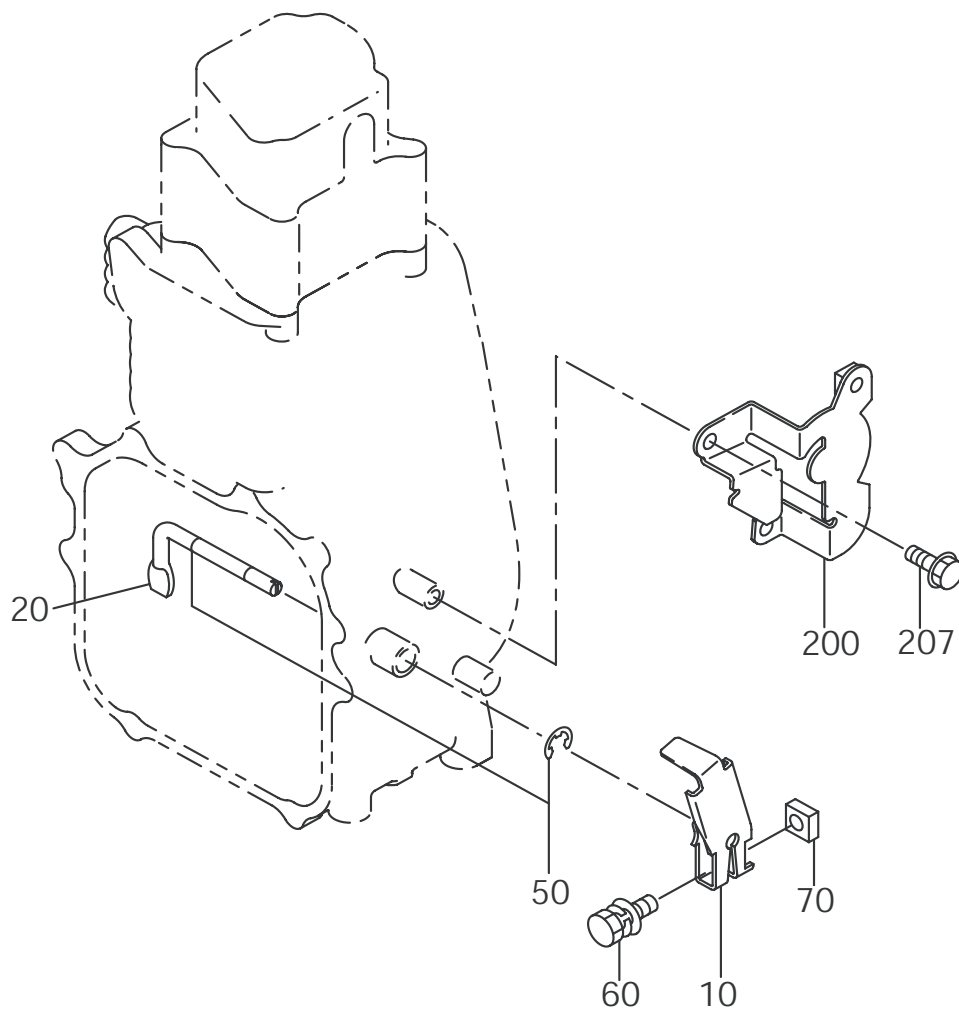


FIG. 500

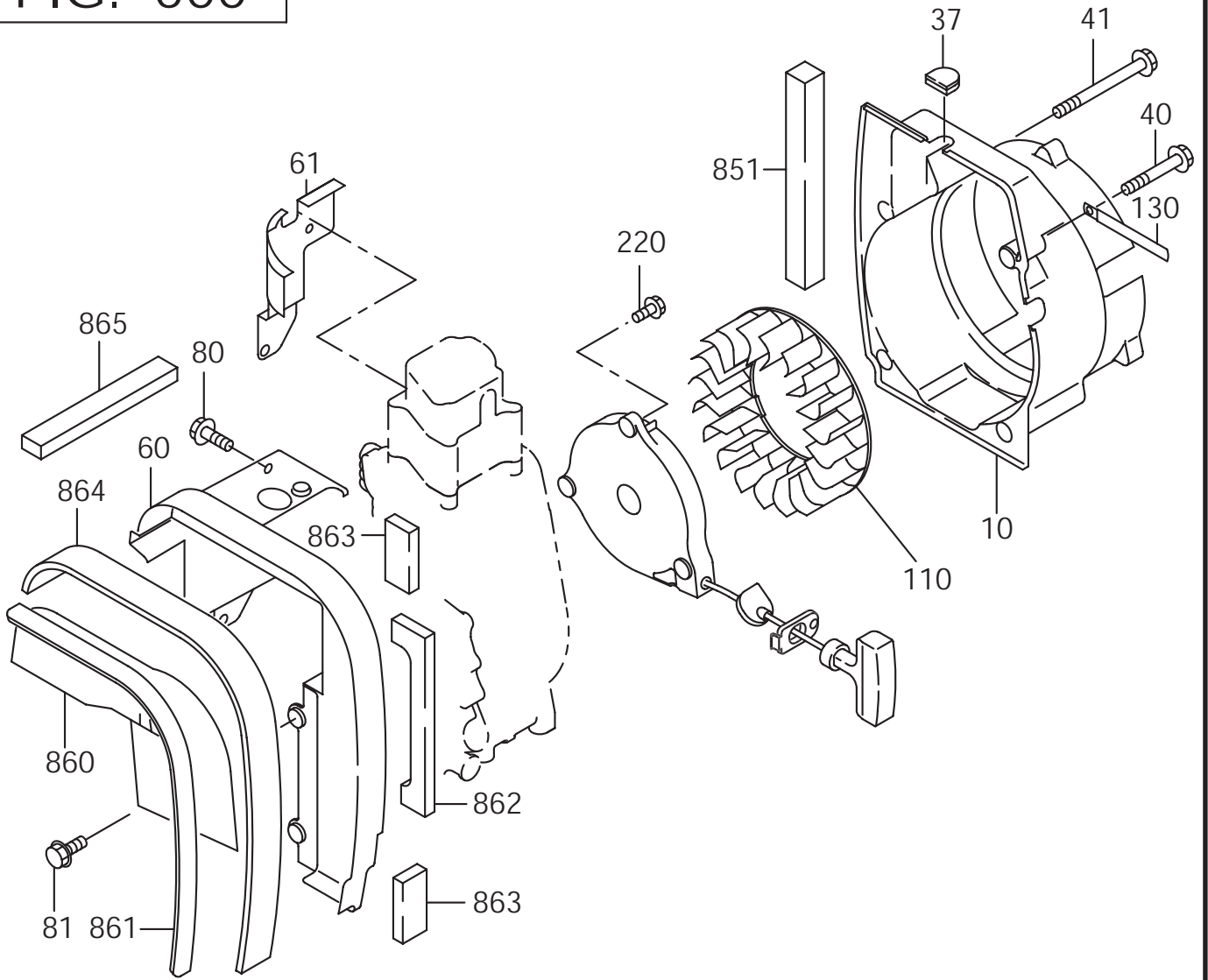


FIG. 520

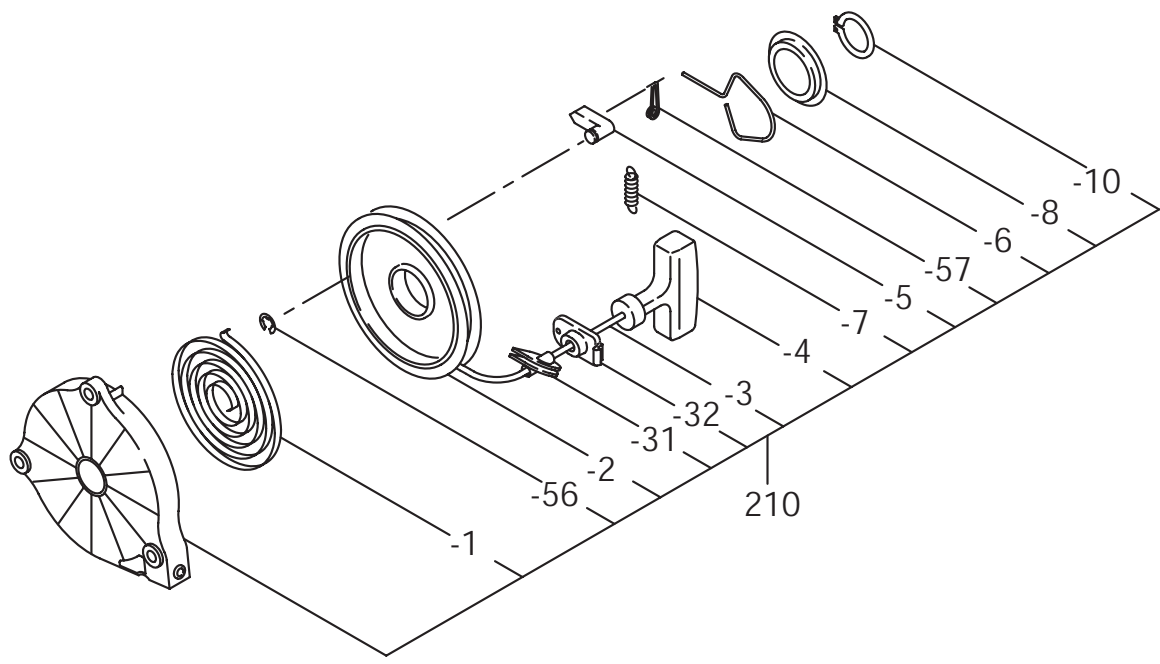


FIG. 600

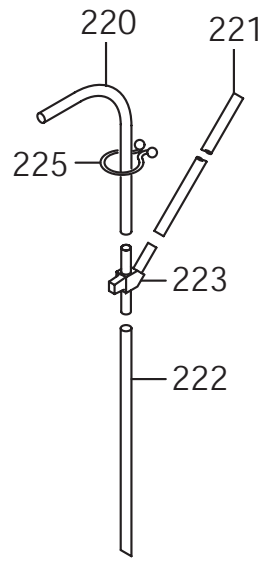


FIG. 642

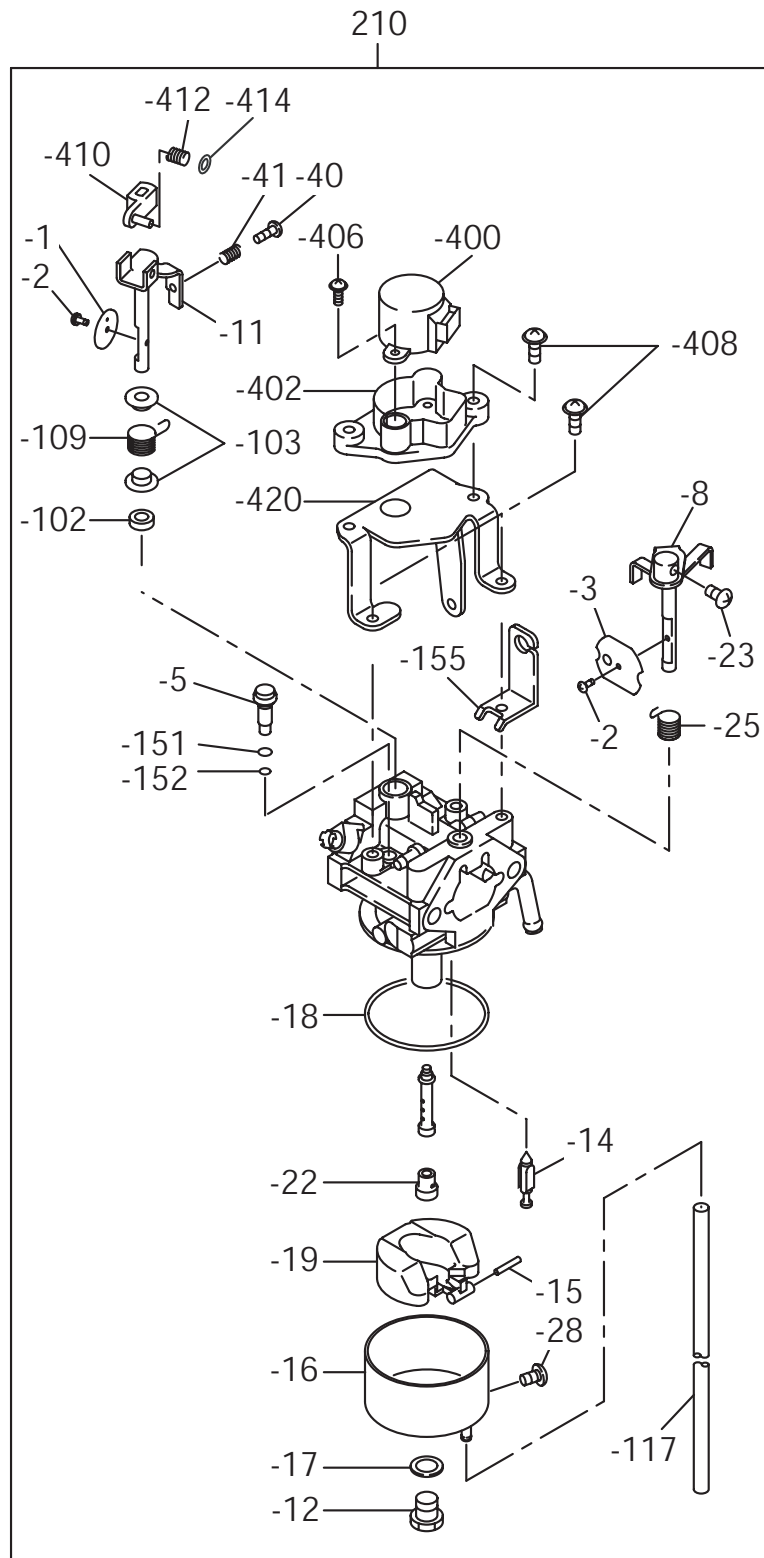


FIG. 700

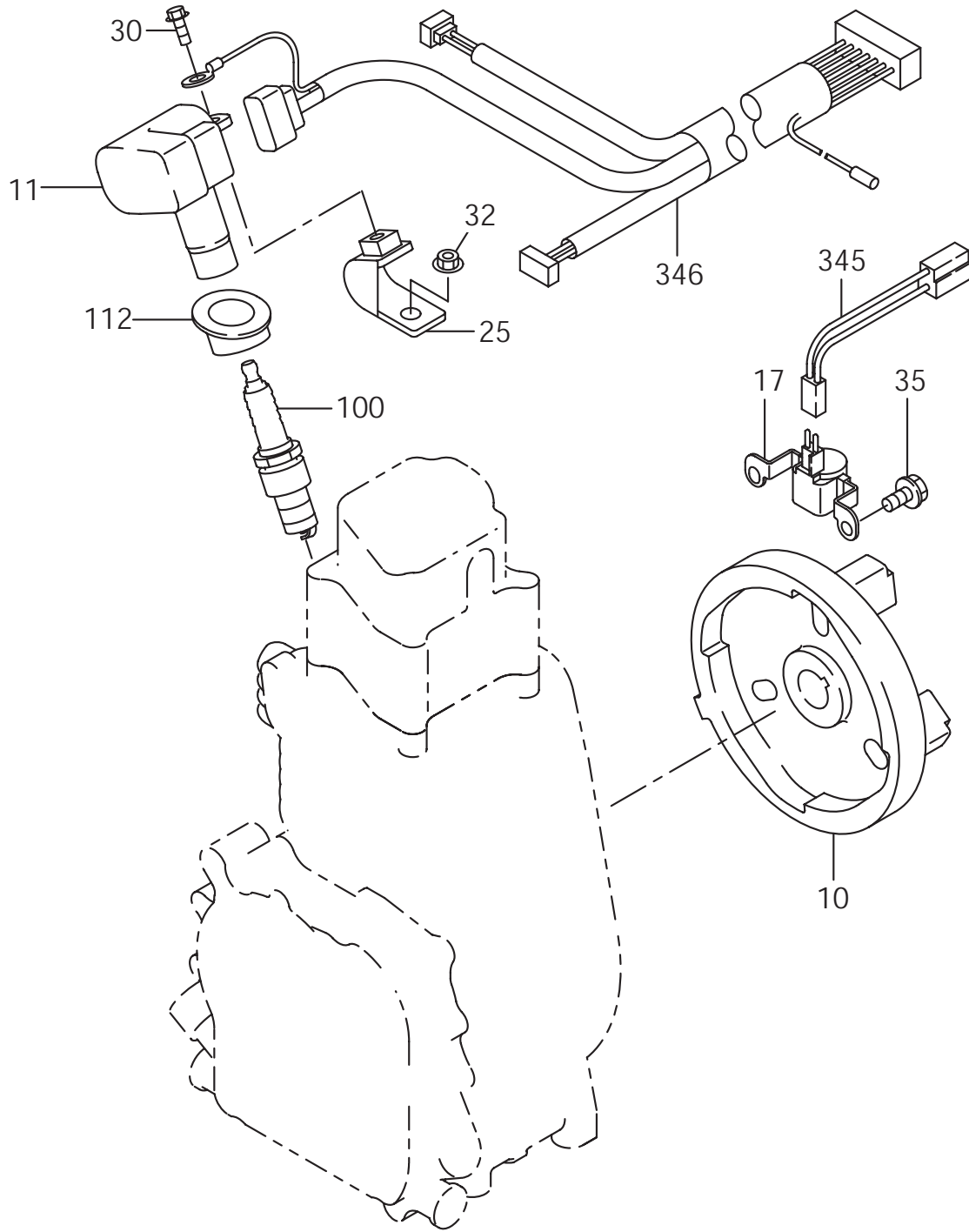


FIG. 770

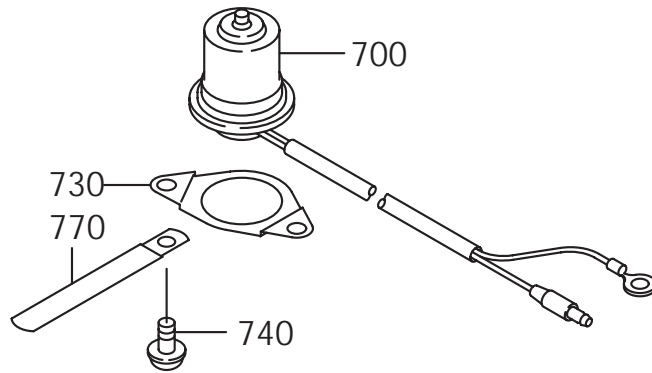


FIG. 2200

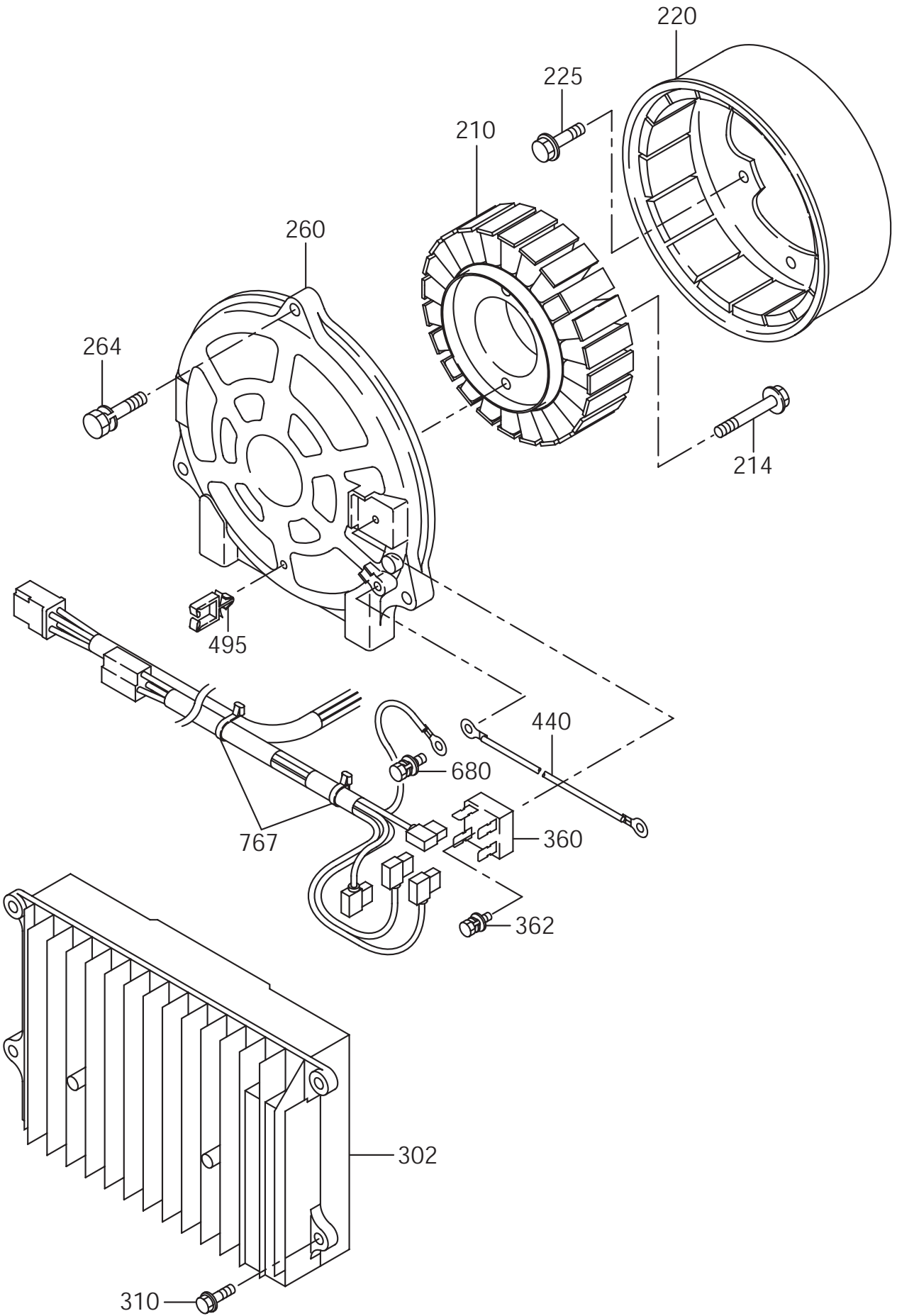


FIG. 2300

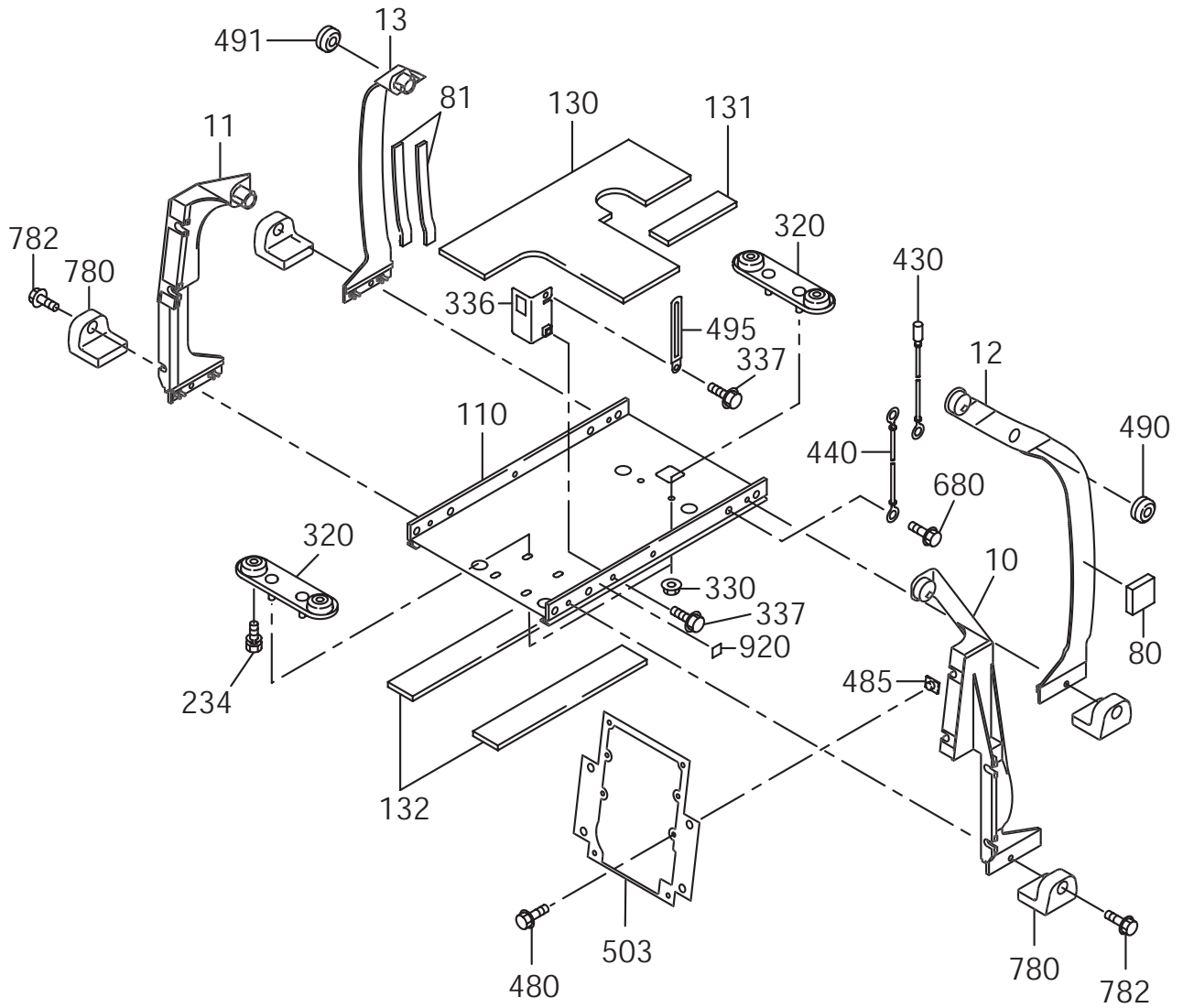
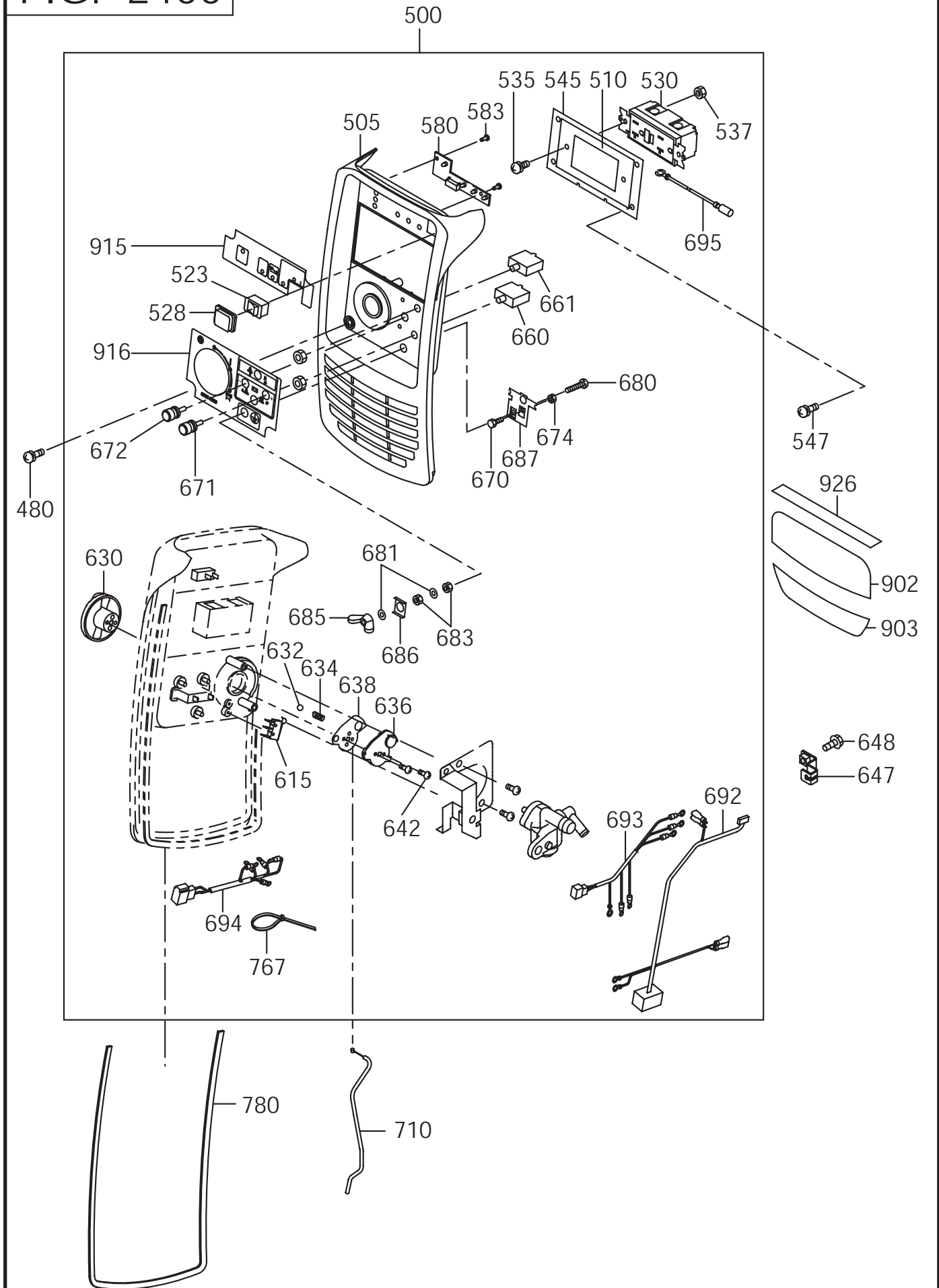


FIG. 2400



24 CONTROL

REF.	PART NUMBER	PART NAME	QTY	R E M A R K S	CODE NO.	INTERCHANGE P/NO.	UNIT P	FIG.
480	014 -00501 -00	SCREW	4		-			2400
500	34K -46020 -10	CONTROL PANEL AY	1		-			2400
505	33K -40102 -03	FRONT PANEL	1		-			2400
510	34K -41160 -13	FILM CONCENT	1		-			2400
523	34K -41812 -03	ROCKER SWITCH	1		-			2400
528	34K -41813 -03	SWITCH COVER	1		-			2400
530	33K -49951 -01	AC RECEPTACLE(GFCI)	1		-			2400
535	351 -49920 -08	SCREW & WASHER AY	2		-			2400
537	002 -17040 -00	NUT	2		-			2400
545	33K -40706 -13	CONSENT BRACKET	1		-			2400
547	013 -10400 -60	SCREW AND WASHER AY	4		-			2400
580	KD3 -11001 -11	LED INDICATOR CP	1		-			2400
583	015 -00300 -20	TAPPING SCREW	2		-			2400
615	33K -41811 -03	MICRO SWITCH	1		-			2400
630	33K -42010 -03	CONTROL DIAL	1		-			2400
632	33K -42071 -03	BALL(DIAL)	1		-			2400
634	33K -42074 -03	SPRING(DIAL)	1		-			2400
636	33K -42020 -03	CHOKE REEL	1		-			2400
638	33K -42030 -23	PLATE	1		-			2400
642	33K -41814 -08	TAPPING SCREW	2		-			2400
647	33K -42080 -03	CHOKE BRACKET	1		-			2400
648	011 -00600 -10	FLANGE BOLT	1	M6X1.0X14DX8L	-			2400
660	32B -43402 -01	CIRCUIT BREAKER	1		-			2400
661	32B -43403 -01	CIRCUIT BREAKER	1		-			2400
670	33K -42103 -03	BOLT	1		-			2400
671	363 -45701 -08	TERMINAL BOLT	1	RED 20A	-			2400
672	363 -45700 -08	TERMINAL BOLT	1	BLACK 20A	-			2400
674	33K -42102 -03	NUT	1		-			2400
680	33K -42104 -03	SCREW	1		-			2400
681	353 -49903 -08	WASHER	2		-			2400
683	353 -49902 -08	NUT	2		-			2400
685	353 -49901 -08	WING NUT	1		-			2400
686	33K -42101 -03	PLATE	1		-			2400
687	33K -42100 -13	EARTH PLATE	1		-			2400
692	34K -41817 -13	PANEL HARNESS	1		-			2400
693	34K -42001 -11	CONCENT HARNESS CP	1		-			2400
694	34K -42002 -11	DC OUT HARNESS	1		-			2400
695	33K -41834 -01	NEUTRAL HARNESS 1 CP	1		-			2400
710	33K -42060 -21	CHOKE WIRE CP	1		-			2400
767	056 -30000 -20	WIRE BAND	2	2.5BX1.2TX100L	-			2400

FIG. 2400

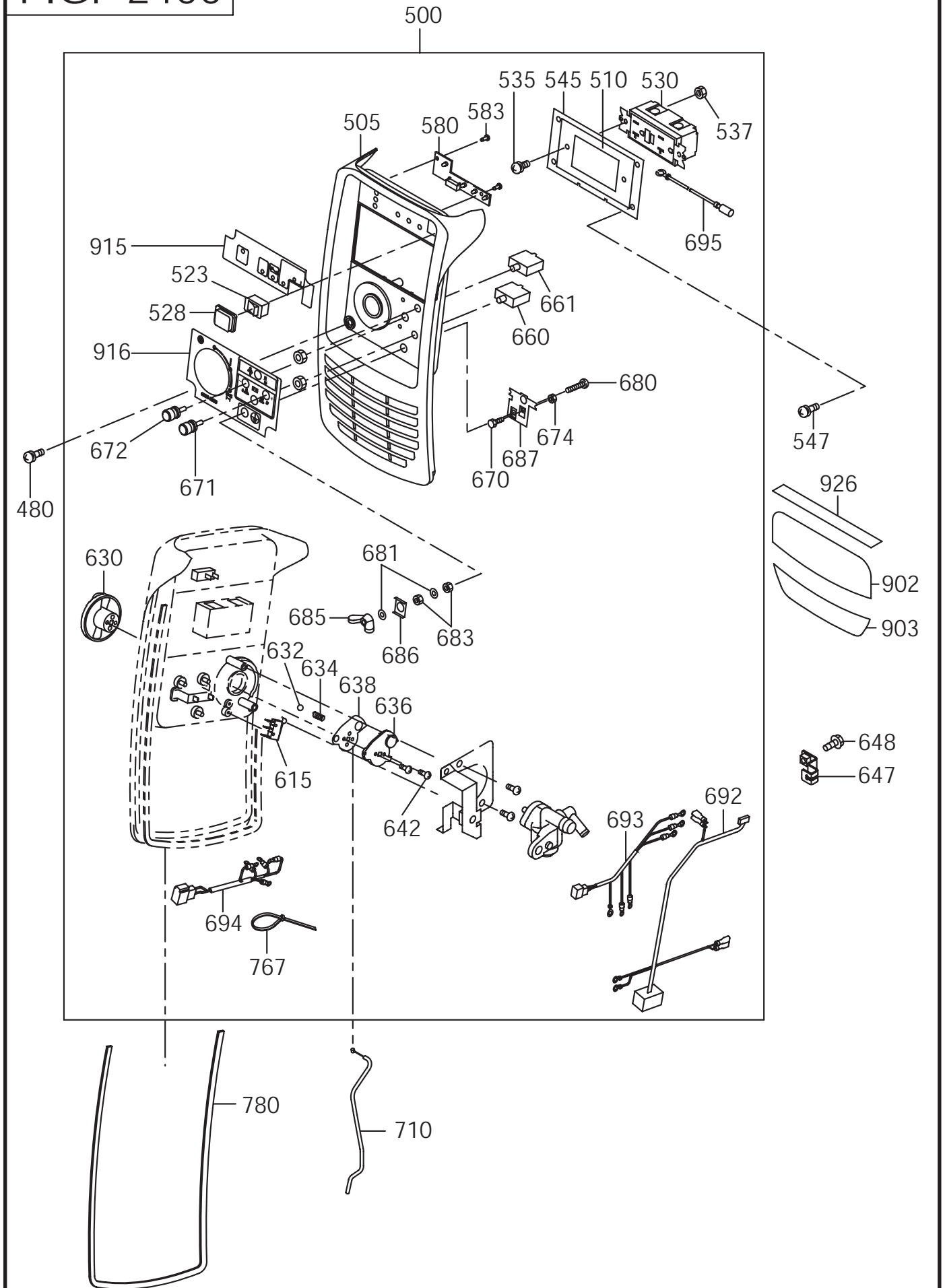
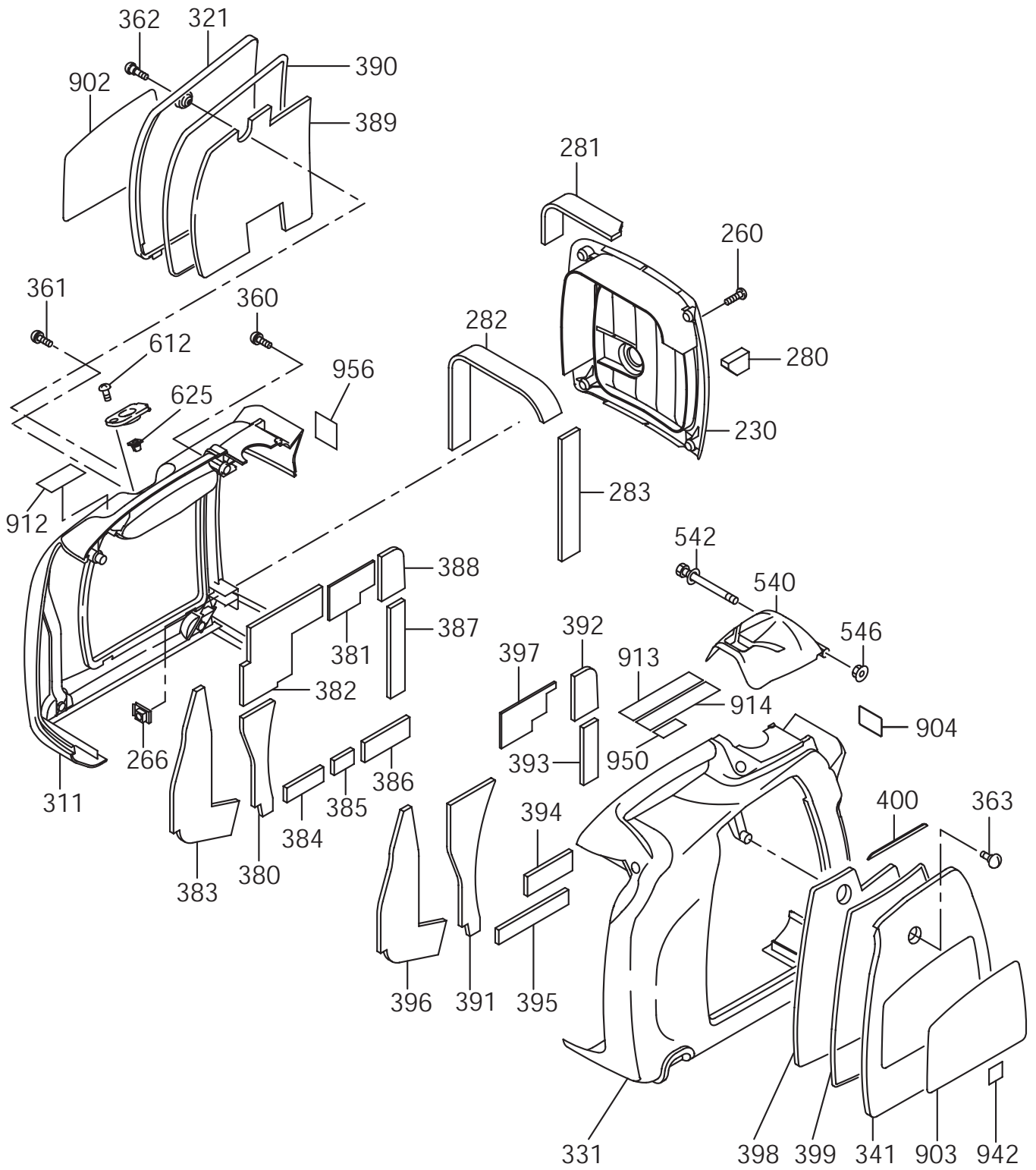


FIG. 2500



25 COVER

REF.	PART NUMBER	PART NAME	QTY	R E M A R K S	CODE NO.	INTERCHANGE P/NO.	UNIT P	FIG.
230	33K -50201 -03	REAR COVER	1	BLACK	-			2500
260	013 -10600 -30	SCREW AND WASHER AY	4		-			2500
266	33K -50205 -01	NUT CP	4		-			2500
280	33K -58318 -13	R -COVER SPONGE 1	2		-			2500
281	33K -58319 -13	R -COVER SPONGE 2	1		-			2500
282	33K -58322 -03	R -COVER SPONGE 3	1		-			2500
283	33K -58324 -03	R -COVER SPONGE 4	1		-			2500
311	33K -50301 -13	CASE BODY L	1		-			2500
321	33K -50311 -03	SIDE PANEL L	1		-			2500
331	33K -50401 -13	CASE BODY R	1		-			2500
341	33K -50411 -03	SIDE PANEL R	1		-			2500
360	004 -36062 -50	SCREW AND WASHER AY	2	M6X1.0X25L W/W, SW	-			2500
361	004 -36062 -00	SCREW AND WASHER AY	1	M6X1.0X20L W/W, SW	-			2500
362	33K -50501 -03	BOLT(PANEL)	1		-			2500
363	33K -50501 -03	BOLT(PANEL)	1		-			2500
380	33K -58301 -03	SPONGE CASE L	1		-			2500
381	33K -58307 -03	SPONGE CASE L 5	1		-			2500
382	33K -58305 -13	SPONGE CASE L 3	1		-			2500
383	33K -58304 -03	SPONGE CASE L 2	1		-			2500
384	33K -58308 -03	SPONGE CASE L 6	1		-			2500
385	33K -58309 -03	SPONGE CASE L 7	1		-			2500
386	33K -58408 -03	SPONGE CASE R 6	1		-			2500
387	33K -58409 -03	SPONGE CASE R 7	1		-			2500
388	33K -58306 -03	SPONGE CASE L 4	1		-			2500
389	33K -58302 -03	SPONGE PANEL L	1		-			2500
390	33K -58303 -03	SEAL SPONGE L	1		-			2500
391	33K -58401 -03	SPONGE CASE R	1		-			2500
392	33K -58406 -03	SPONGE CASE R 4	1		-			2500
393	33K -58409 -03	SPONGE CASE R 7	1		-			2500
394	33K -58408 -03	SPONGE CASE R 6	1		-			2500
395	33K -58407 -03	SPONGE CASE R 5	1		-			2500
396	33K -58404 -03	SPONGE CASE R 2	1		-			2500
397	33K -58405 -13	SPONGE CASE R 3	1		-			2500
398	33K -58402 -03	SPONGE PANEL R	1		-			2500
399	33K -58403 -03	SEAL SPONGE R	1		-			2500
400	33K -58410 -03	SEAL SPONGE R 2	1		-			2500
540	33K -55001 -13	TANK CAP COVER	1		-			2500
542	013 -10400 -91	SCREW AND WASHER AY	1		-			2500
546	018 -00400 -00	FLANGE NUT	1		-			2500
612	015 -00400 -90	TAPPING SCREW	1	M4X12L	-			2500

FIG. 2500

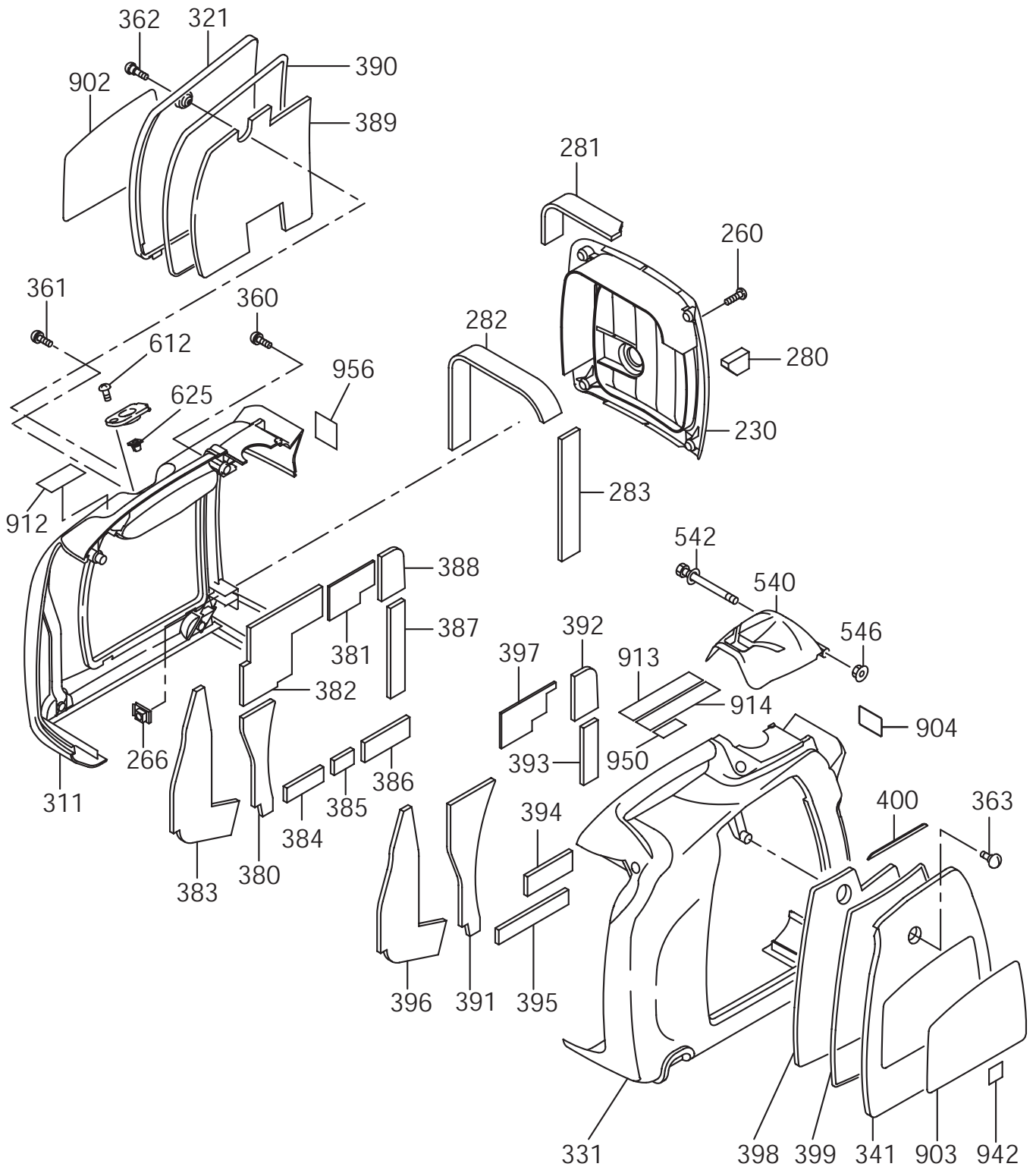


FIG. 2600

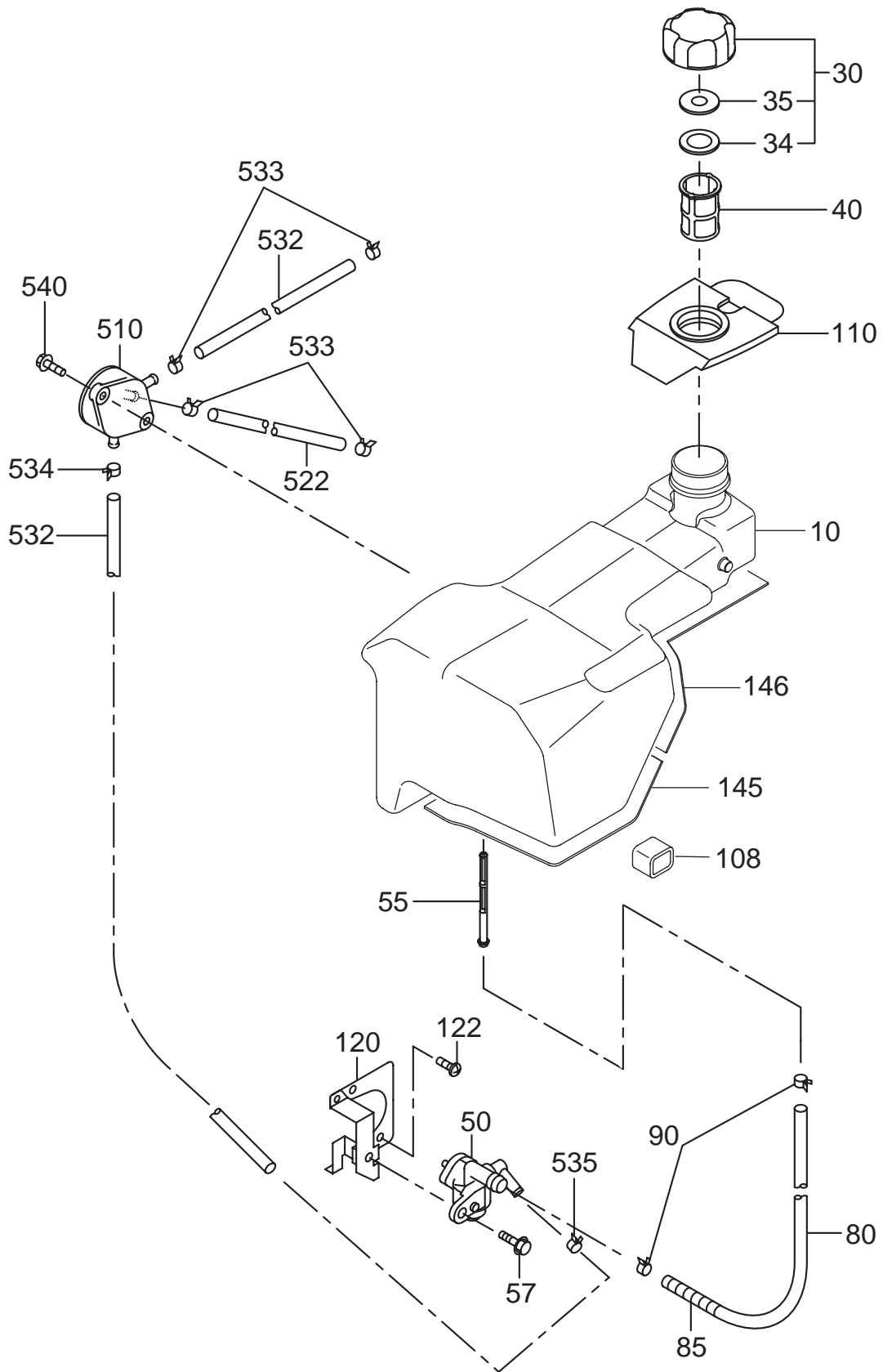


FIG. 2900

