

Robin Generator

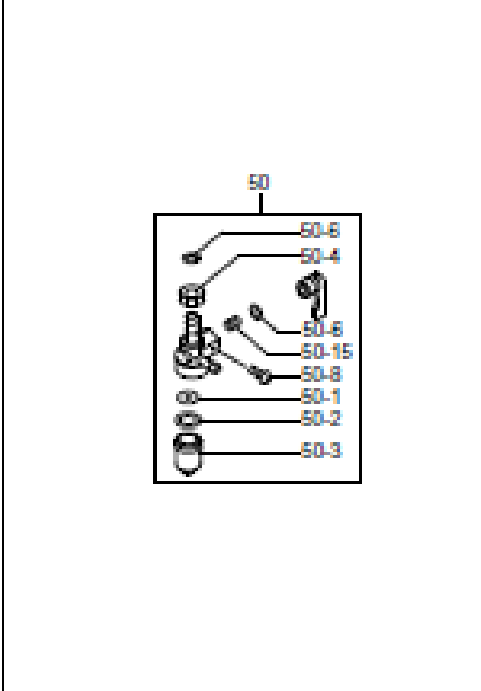
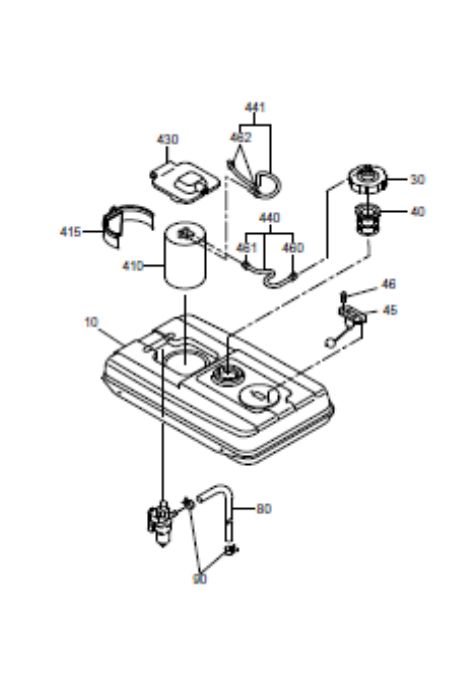
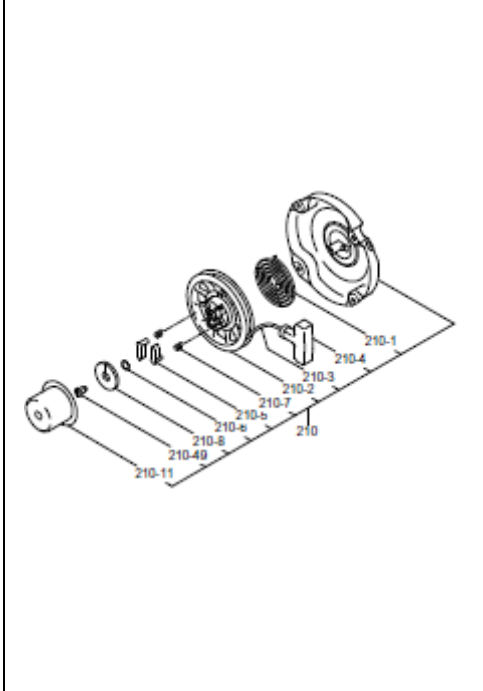
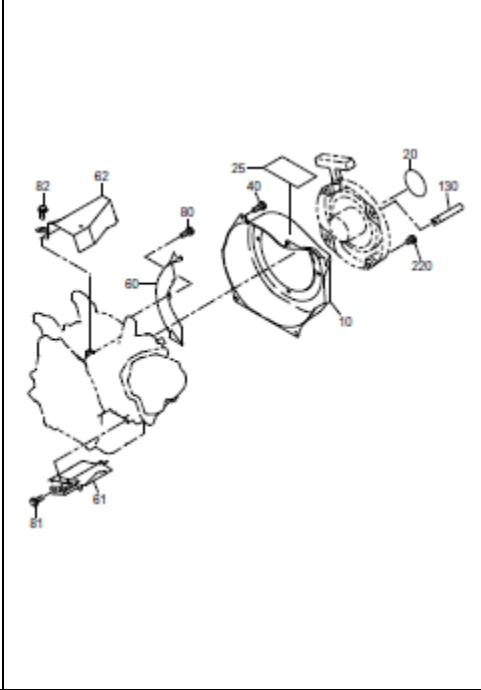
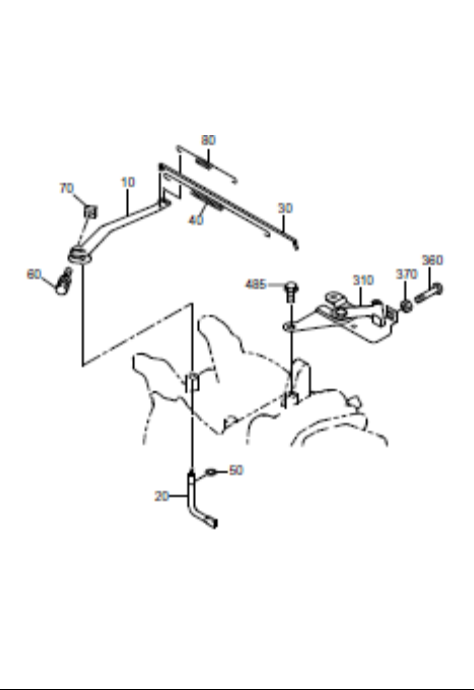
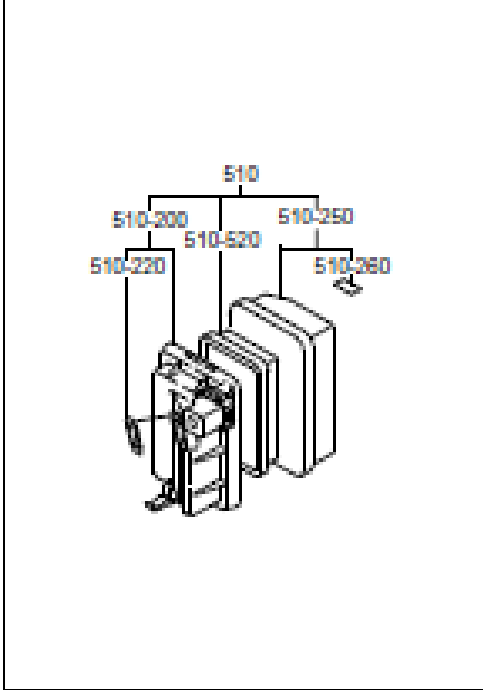
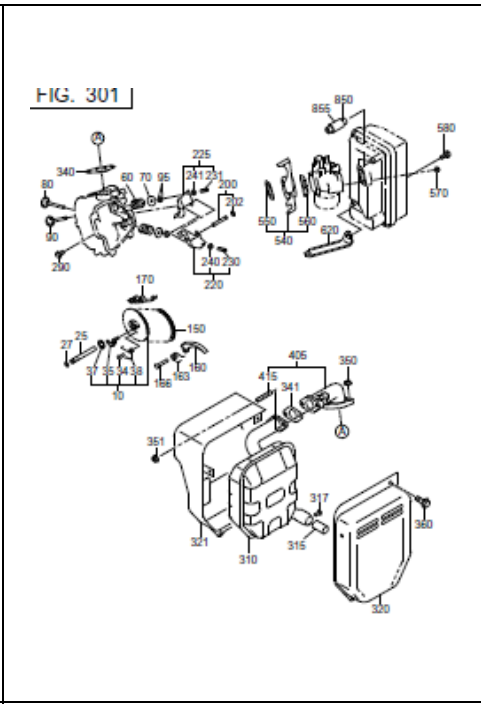
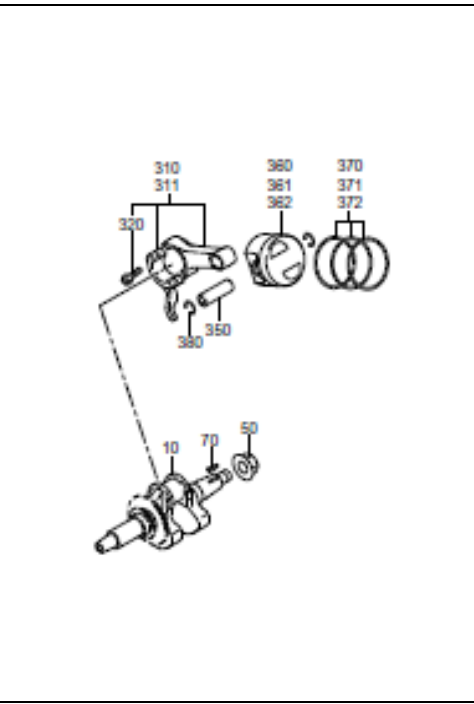
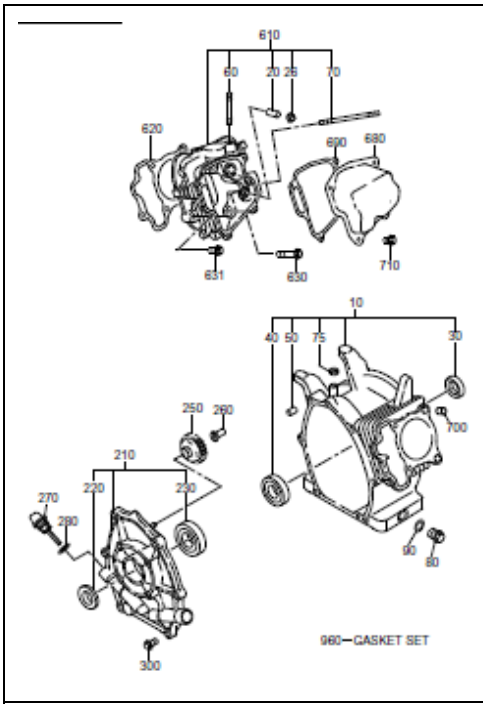
Model **RGX2900**

PARTS CATALOG

Spec. No. RLE29043040
(E/G Spec.No. EX170DE2020)

FUJI HEAVY INDUSTRIES LTD.

ISSUE EMD-GP6483	
ISSUE DATE	2007.12



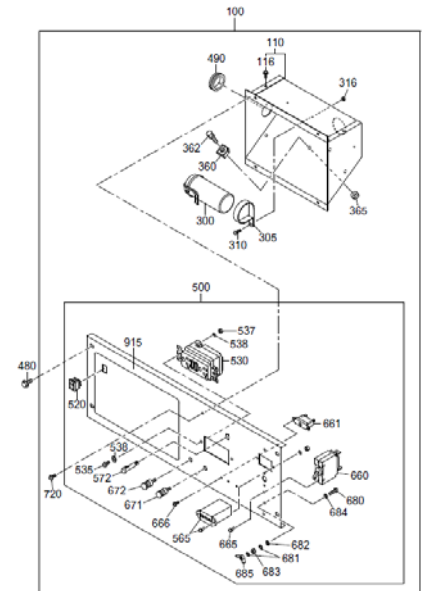
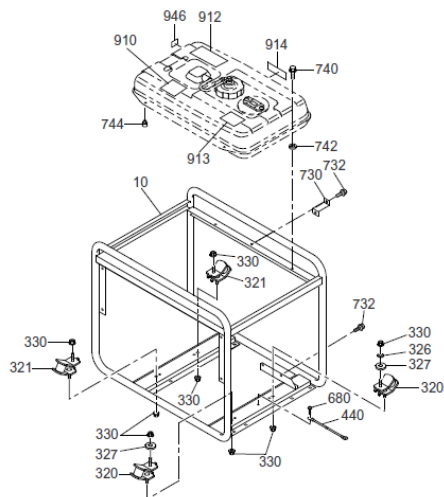
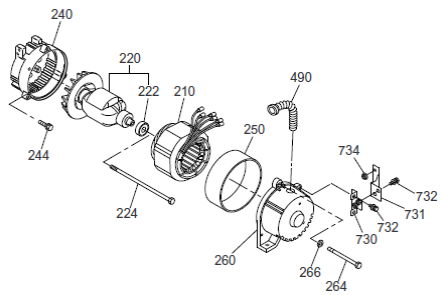
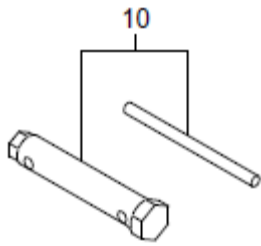
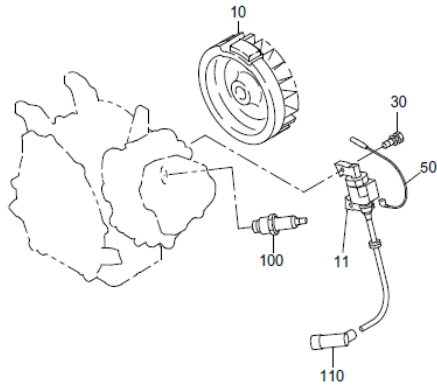
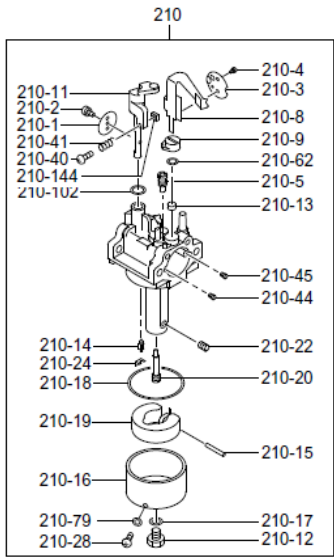
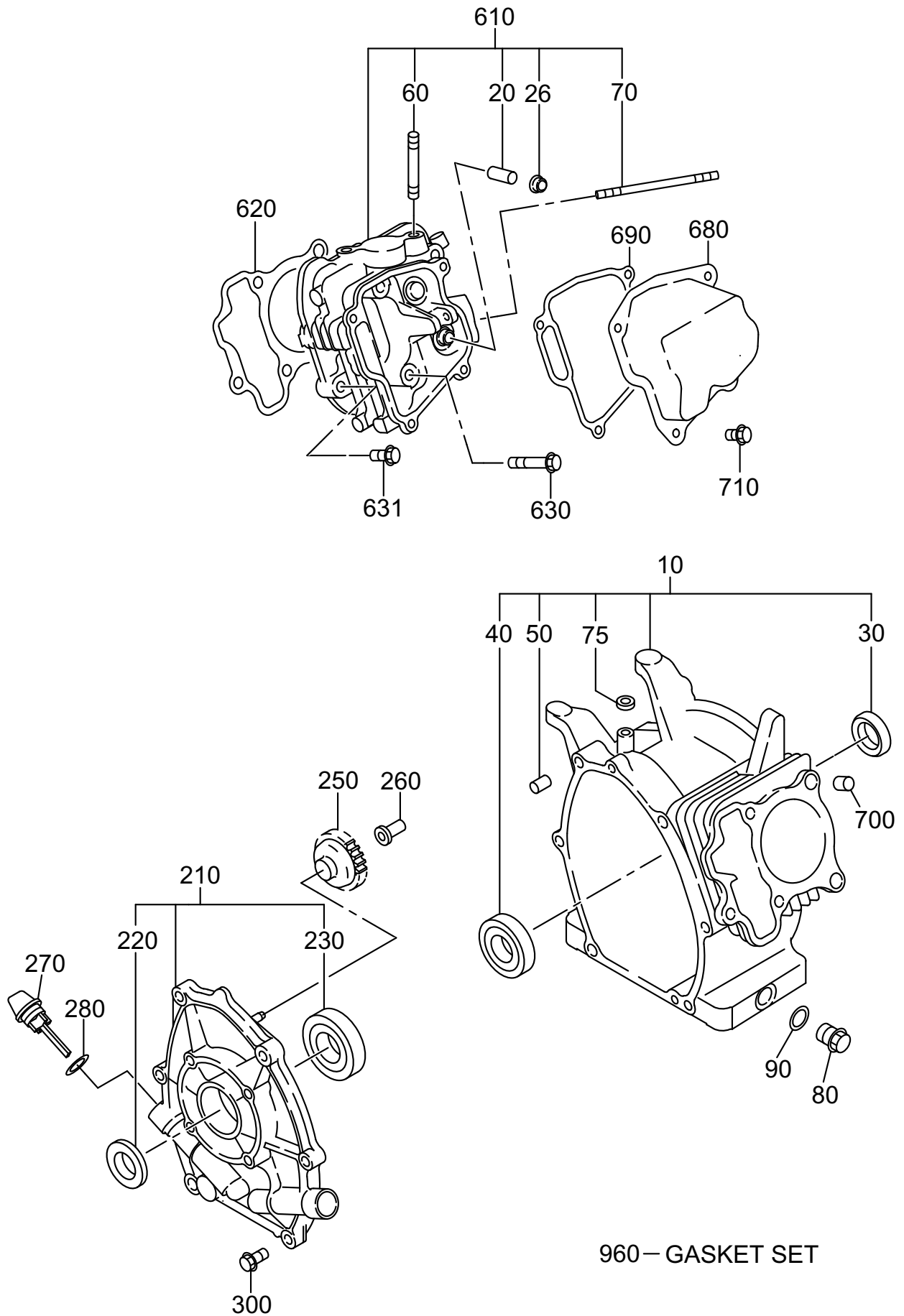


FIG. 100



960— GASKET SET

FIG. 200

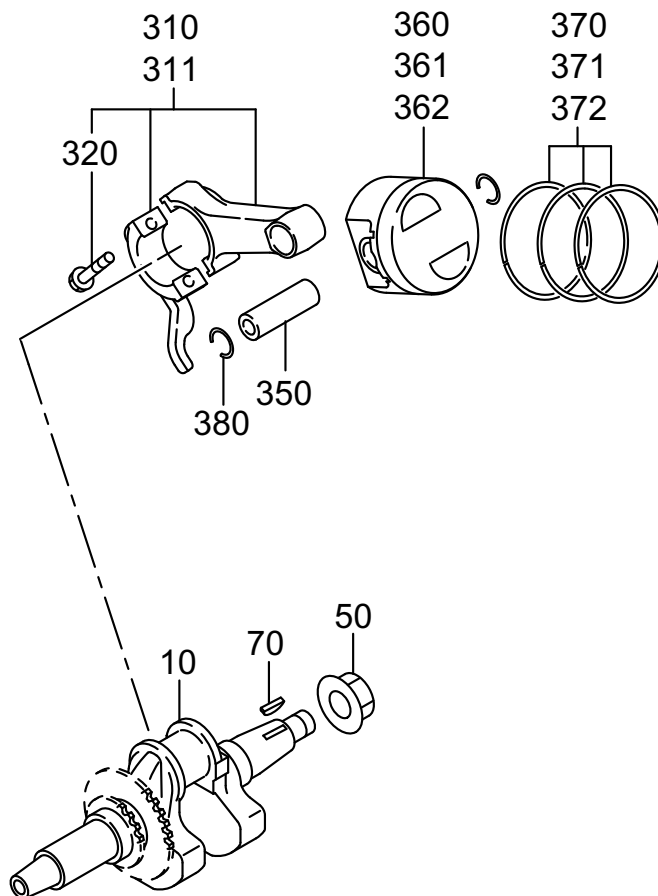
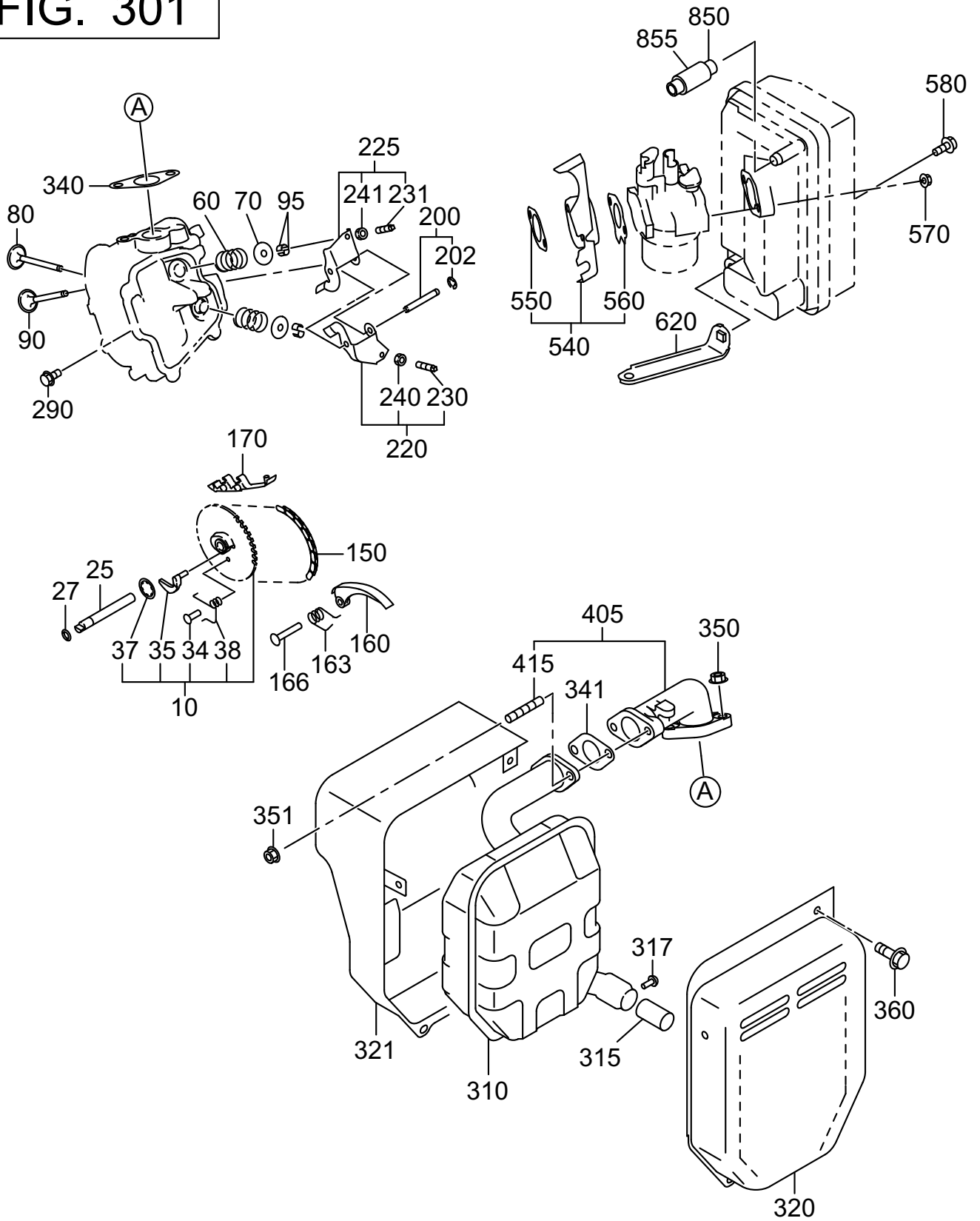


FIG. 301



3 INTAKE EXHAUST

REF.	PART NUMBER	PART NAME	QTY	R E M A R K S	CODE NO.	INTERCHANGE P/NO.	UNIT P	FIG.
10	278-31601-31	CAM SHAFT CP	1	85DX2.9B N=40	-			301
25	277-35101-03	PIN(CAM SHAFT)	1	9DX78.5L	-			301
27	024-00600-10	O RING	1	5.8DX9.6D	-			301
34	277-38601-03	PIN(SPRING)	1	4DX8DX9L	-			301
35	277-36401-03	RELEASE LEVER	1		-			301
37	277-36501-03	CLIP	1	13.8DX20.3DX0.4T	-			301
38	279-38701-13	RETURN SPRING	1	5.3DX0.6DX5.5L N=5.7	-			301
60	279-33601-03	VALVE SPRING	2	19.2DX2.3DX27.4L	-			301
70	269-33701-03	SPRING RETAINER	2		-			301
80	277-33401-H3	INTAKE VALVE	1	25.5DX5.5DX68.1L	-			301
90	277-33501-H3	EXHAUST VALVE	1	23.5DX5.5DX68.1L	-			301
95	132-10KA0-31	COLLET-VALVE	4		-			301
150	277-35601-11	TIMING CHAIN CP	1	88 LINK	-			301
160	277-36911-03	TENTIONER	1		-			301
163	277-37101-03	SPRING(TENTIONER)	1	10DX1.8DX14L N=4.5	-			301
166	277-36902-03	PIN(TENTIONER)	1	6DX13DX34L	-			301
170	277-36913-13	CHAIN GUIDE	1		-			301
200	277-35002-01	PIN(ROCKER) CP	1	6DX46L	-			301
202	003-13050-00	CLIP	1	5DX11DX0.6T	-			301
220	277-36201-00	ROCKER ARM(IN) AY	1		-			301
225	277-36202-00	ROCKER ARM(EX) AY	1		-			301
230	014-90500-20	ADJUST SCREW	1	M5X0.5X23L	-			301
231	014-90500-20	ADJUST SCREW	1	M5X0.5X23L	-			301
240	017-00500-30	NUT	1	M5X0.5X4.1H	-			301
241	017-00500-30	NUT	1	M5X0.5X4.1H	-			301
290	011-00600-20	FLANGE BOLT	1	M6X1.0X14DX12L	-			301
310	277-30202-01	MUFFLER CP	1		-			301
315	277-37603-01	SPARK ARRESTER CP	1		-			301
317	015-00400-60	TAPPING SCREW	1	M4X6L	-			301
320	277-34502-01	MUFFLER COVER(1) CP	1		-			301
321	277-34601-01	MUFFLER COVER(2) CP	1	GENERATOR	-			301
340	277-35201-13	GASKET(MUFFLER)	1	T=0.2 26D 9DX58P	-			301
341	277-35201-01	GASKET CP(EXHAUST)	1	T=1.6 28D 8.5DX52P	-			301
350	980-20082-80	FLANGE NUT	2	M8X1.25X17DX7.5H	-			301
351	980-20082-80	FLANGE NUT	2	M8X1.25X17DX7.5H	-			301
360	011-00600-20	FLANGE BOLT	3	M6X1.0X14DX12L	-			301
405	277-34001-01	EXHAUST PIPE CP	1		-			301
415	010-50802-90	STUD	2	M8X1.25X30L	-			301
540	277-32902-J1	INSULATOR CP	1		-			301
550	277-35903-J3	GASKET2(INSULATOR)	1	T=0.5	-			301

FIG. 301

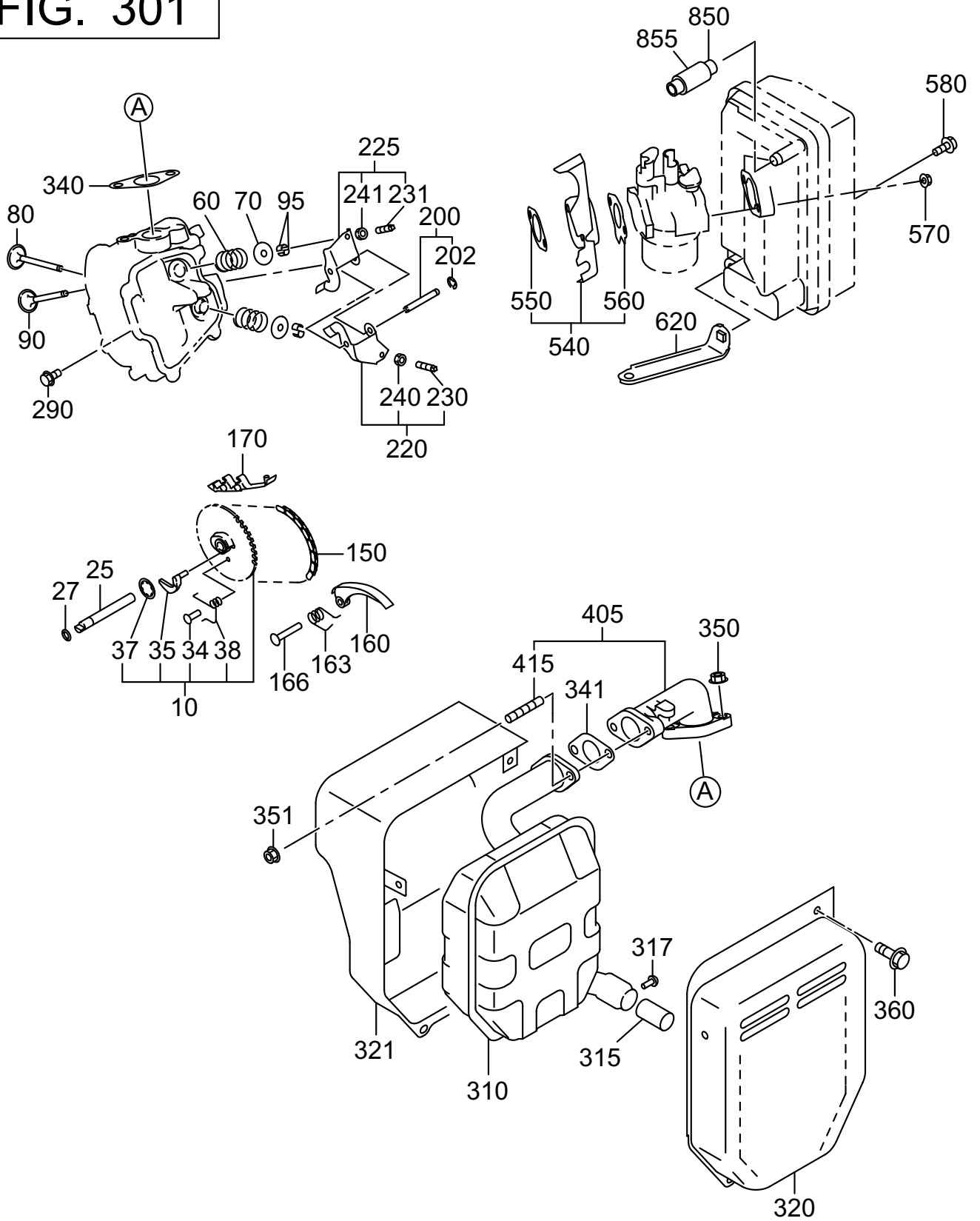


FIG. 317

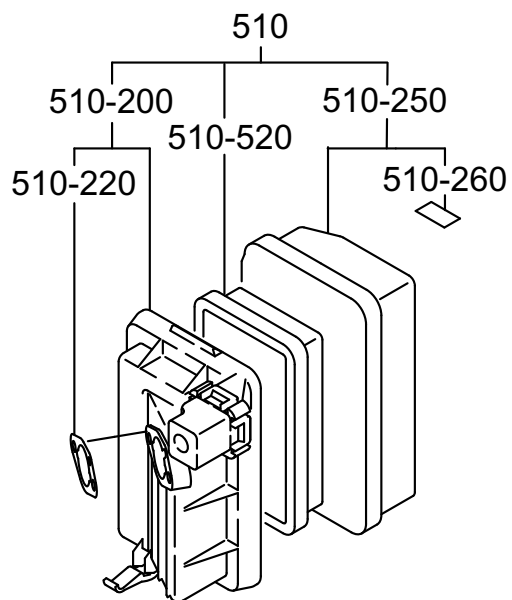


FIG. 400

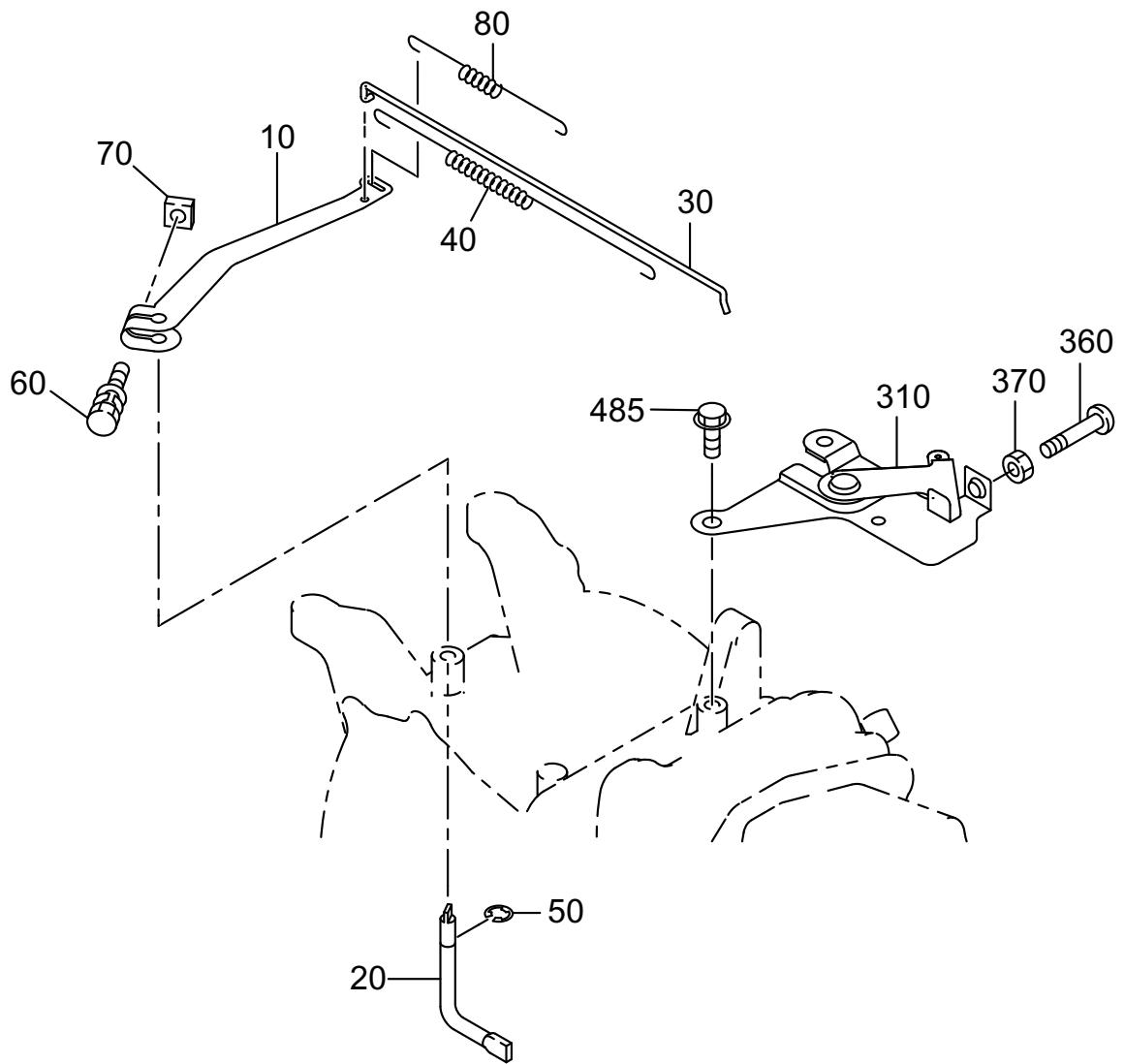


FIG. 500

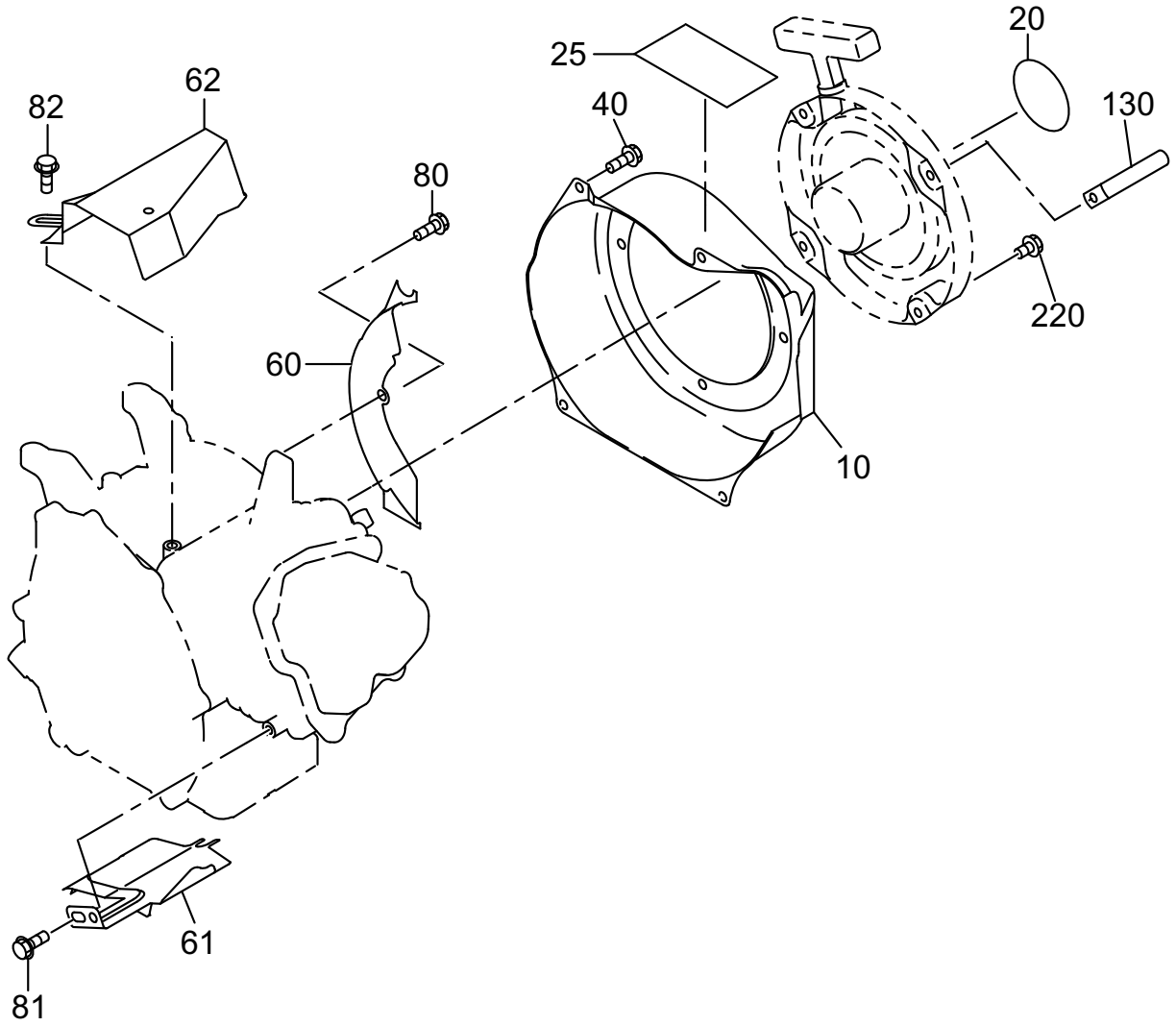


FIG. 520

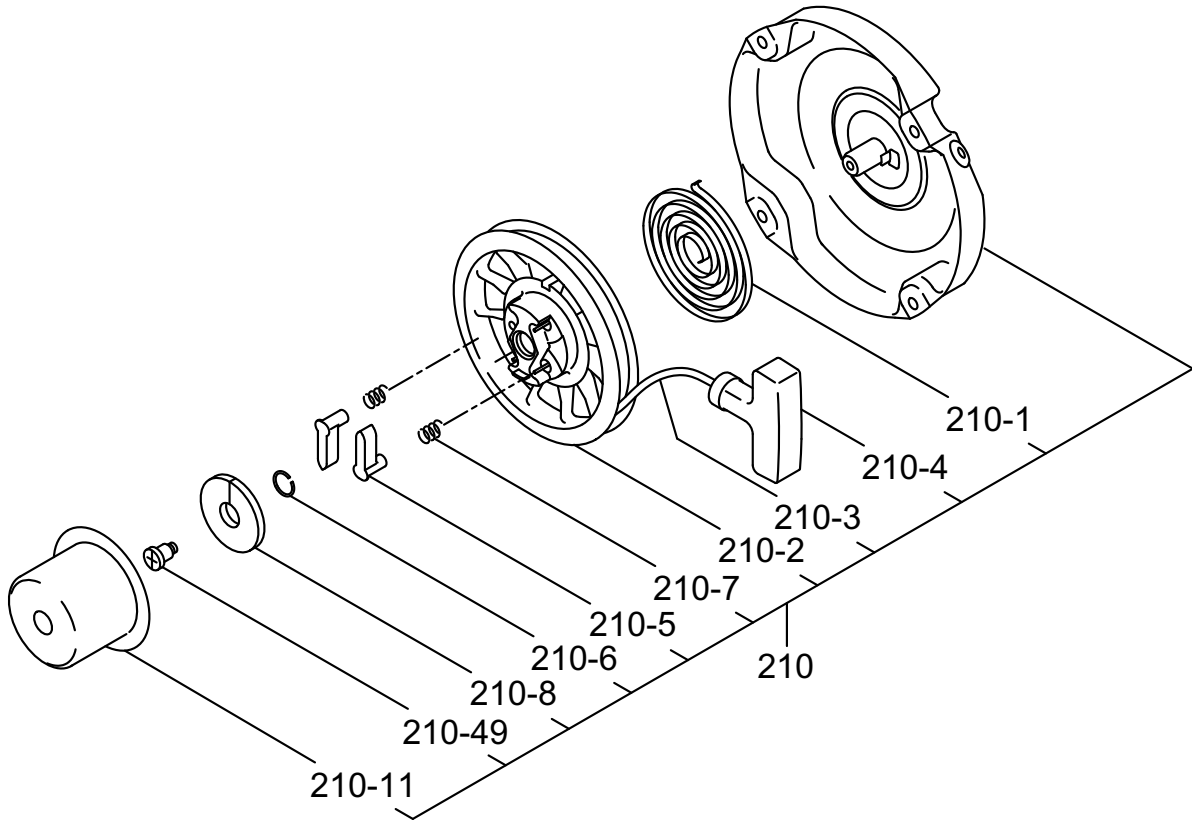


FIG. 610

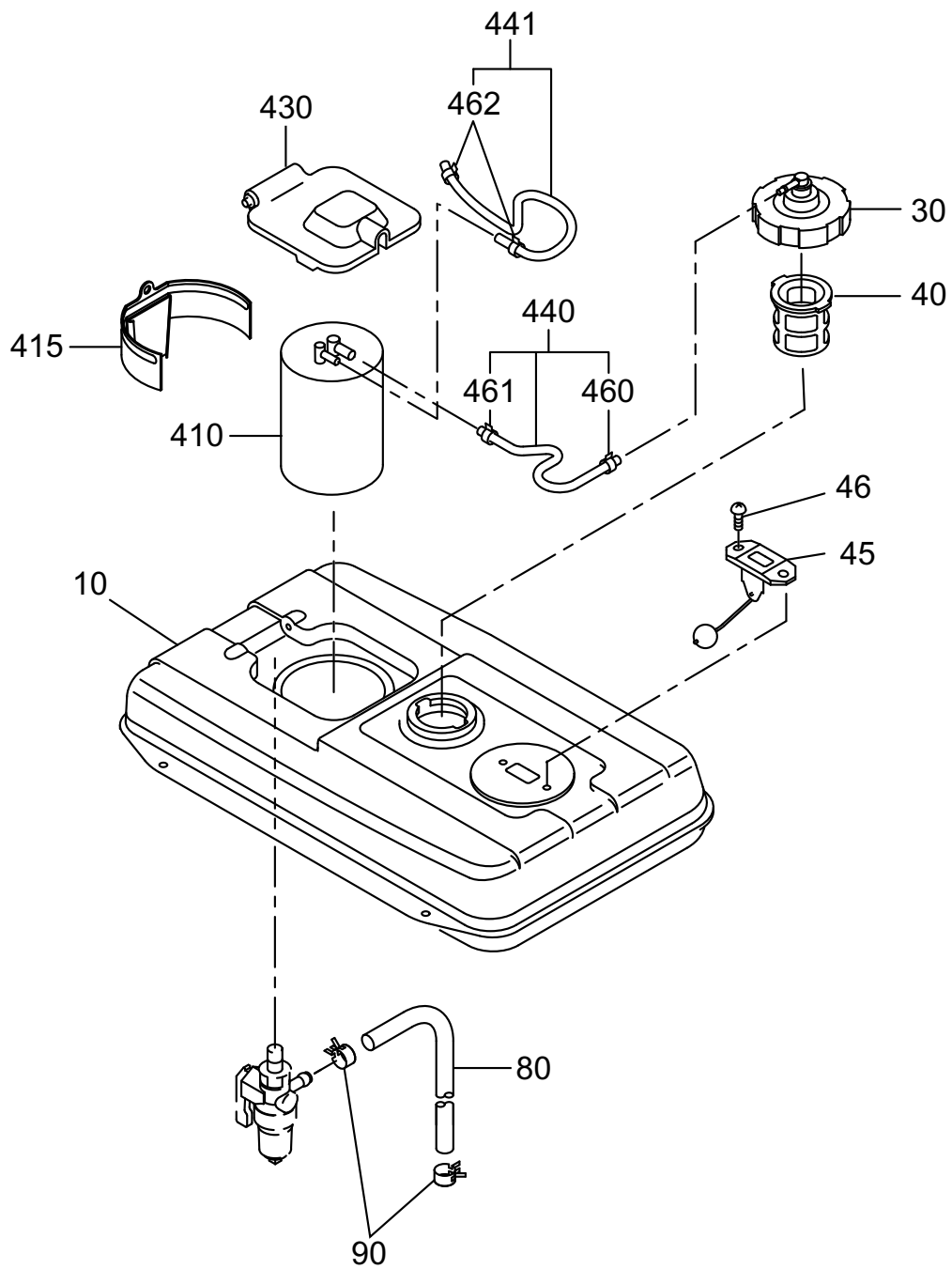


FIG. 630

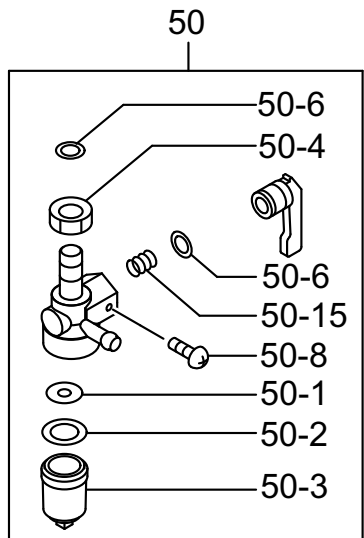


FIG. 640

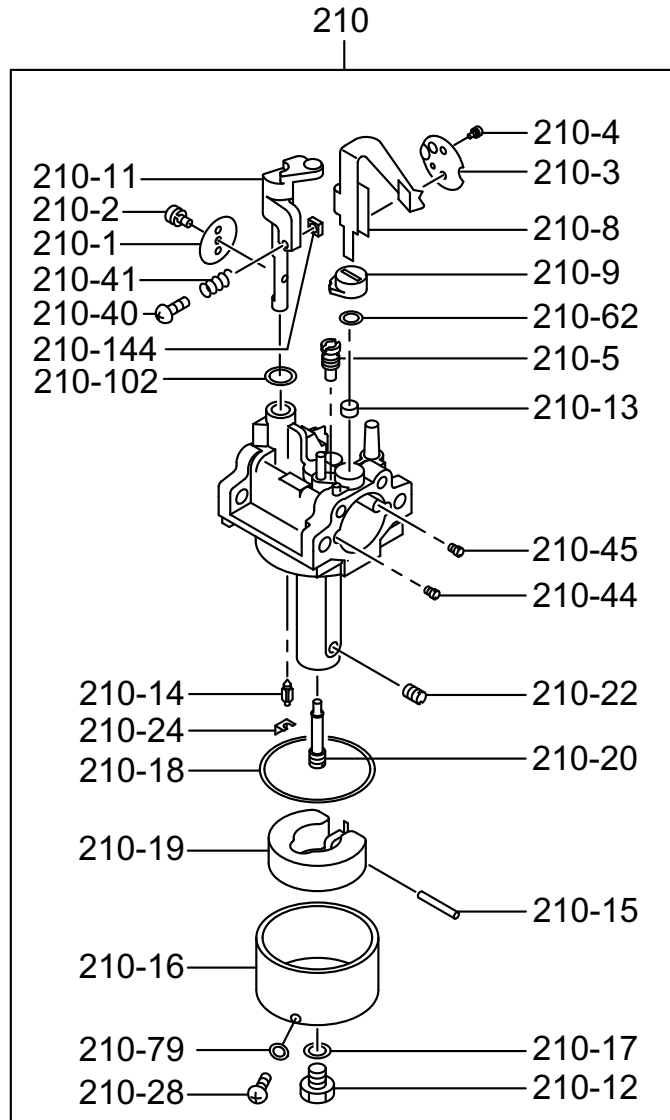


FIG. 700

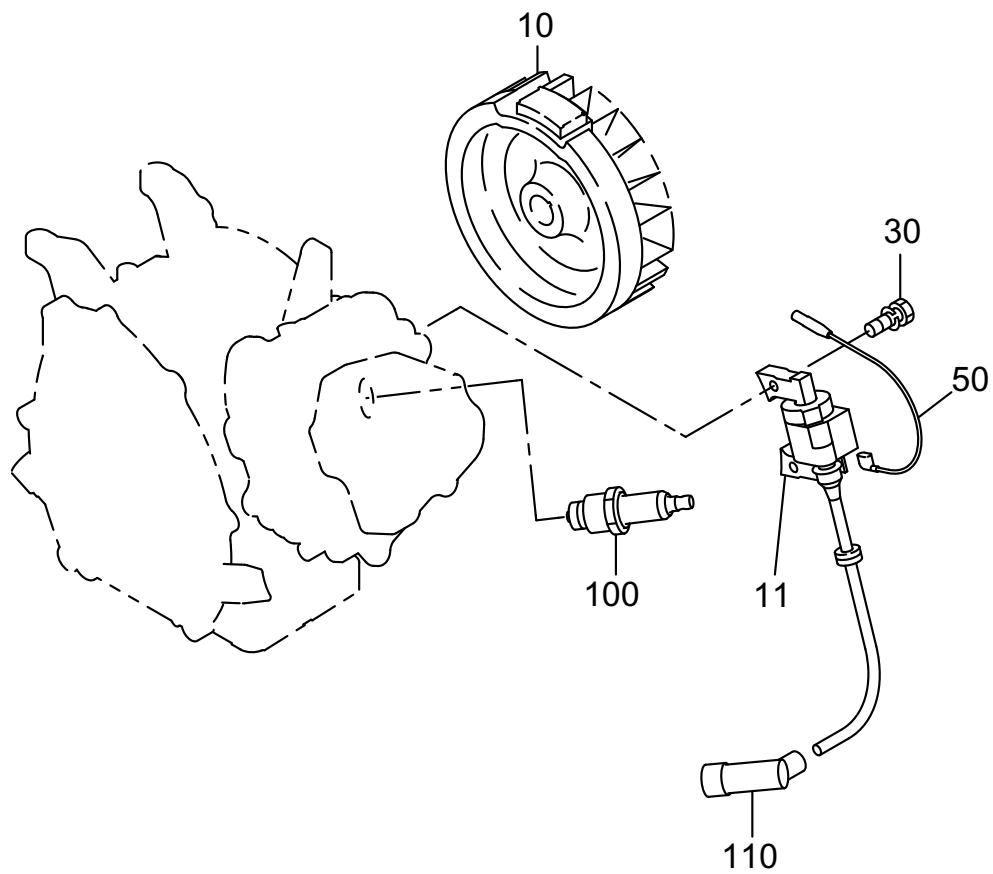


FIG. 770

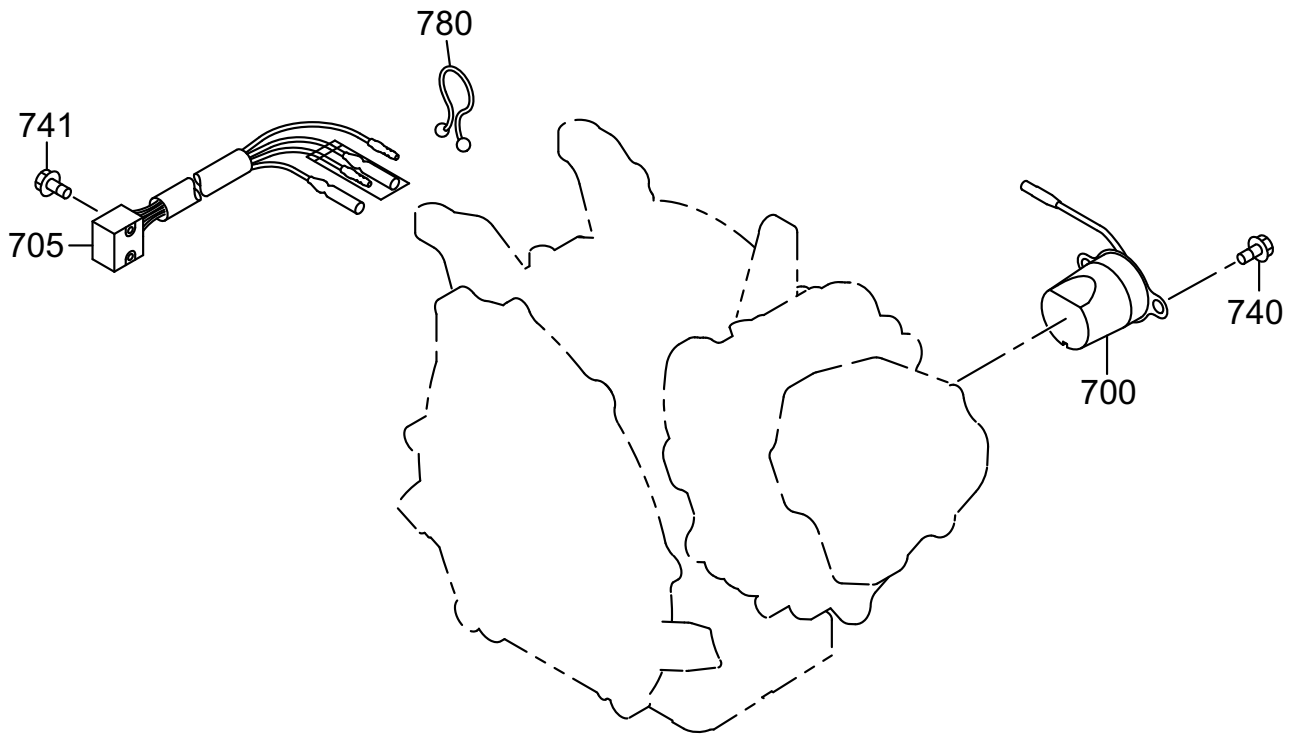


FIG. 900

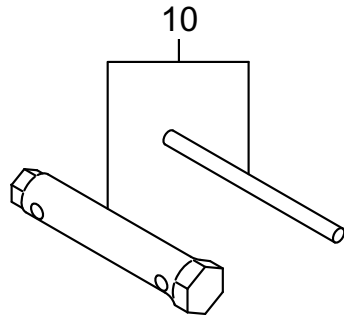


FIG. 2200

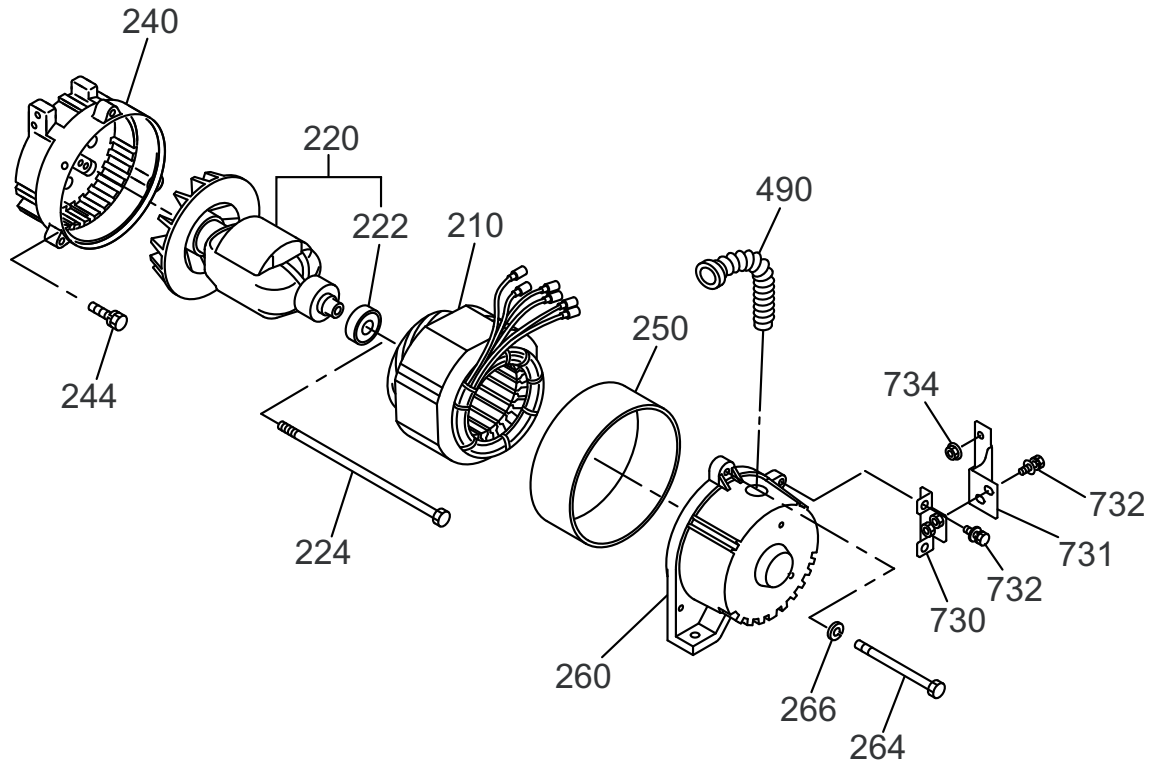


FIG. 2300

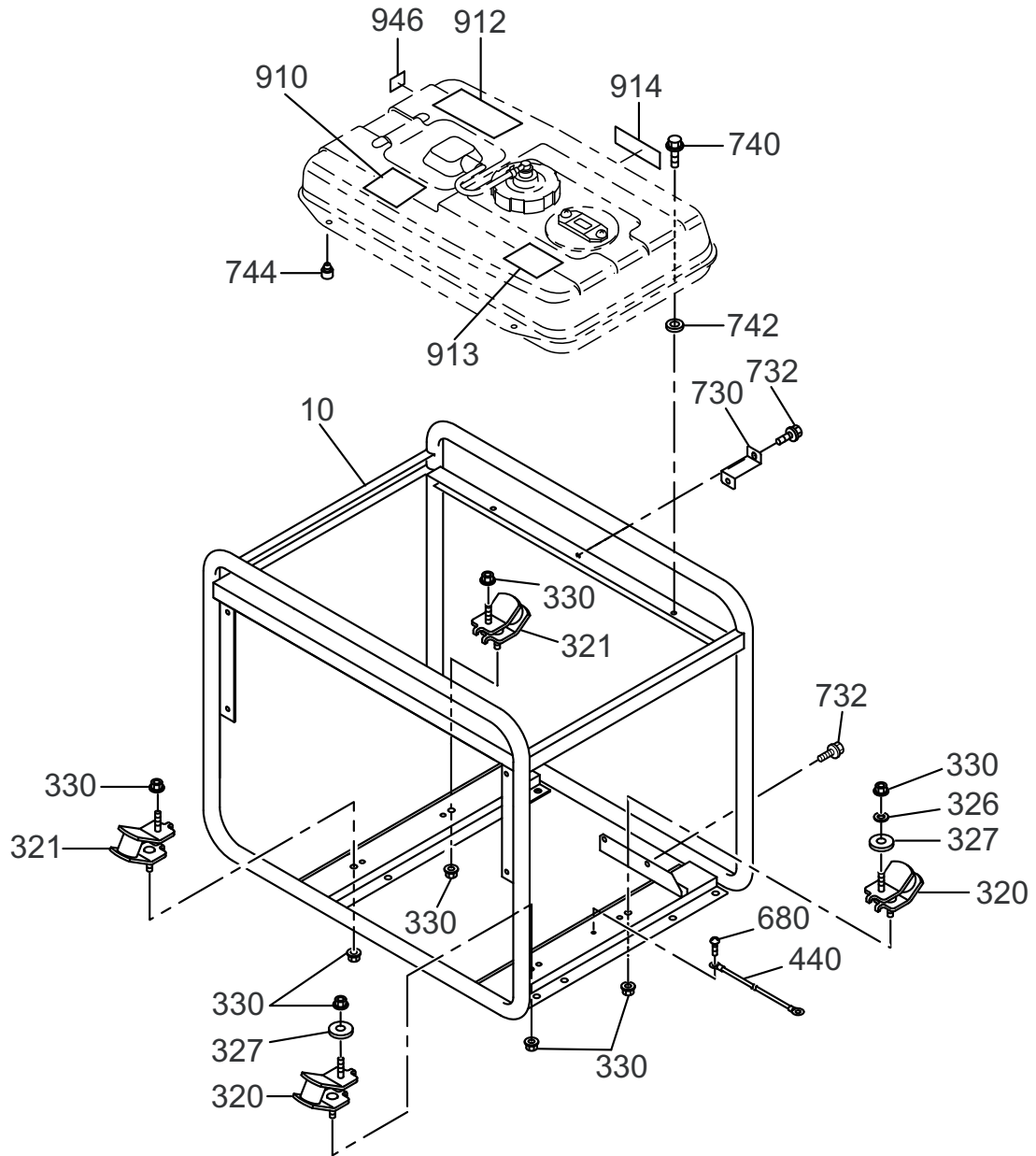


FIG. 2400

