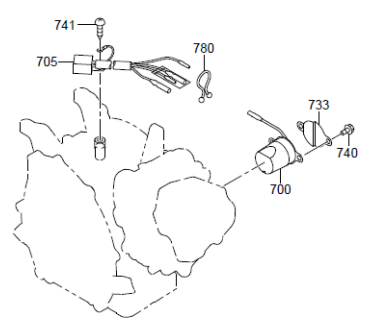
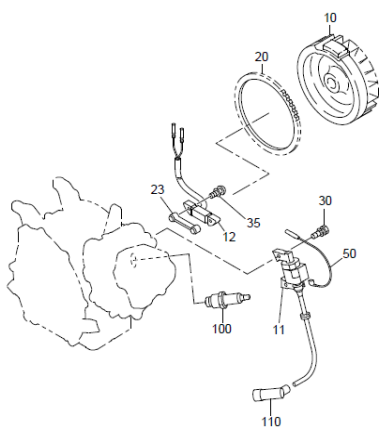
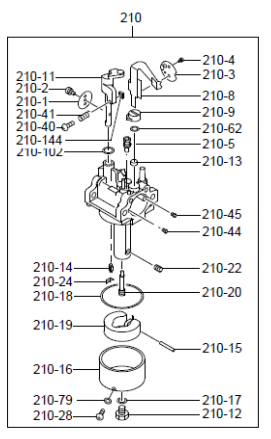
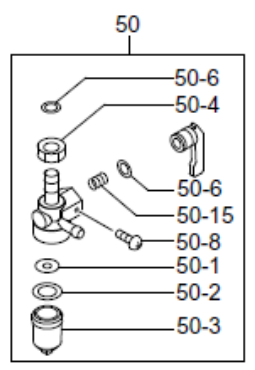
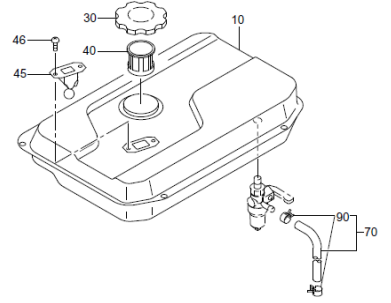
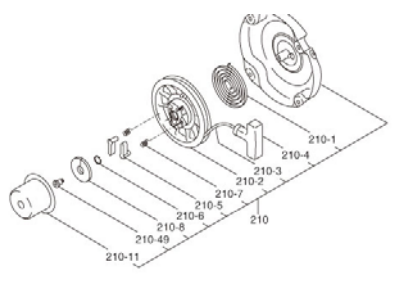
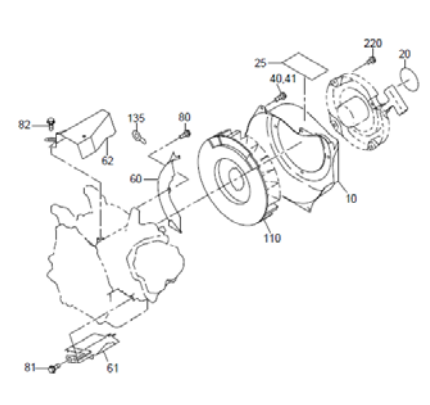
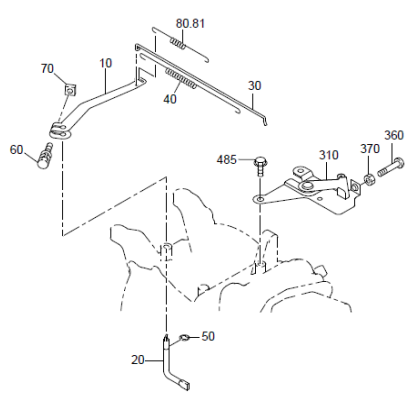
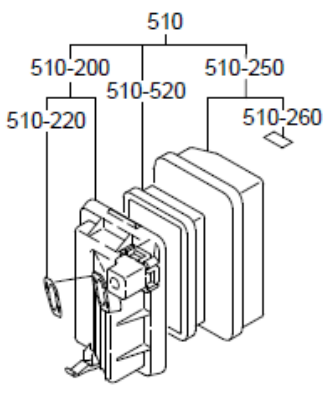
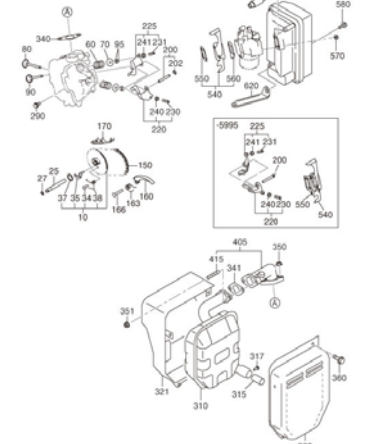
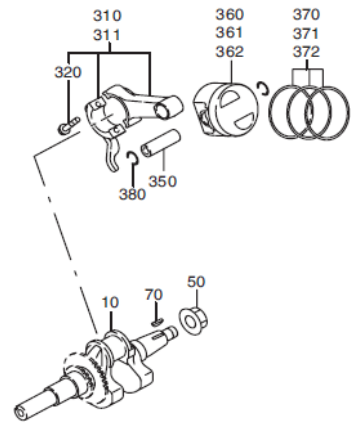
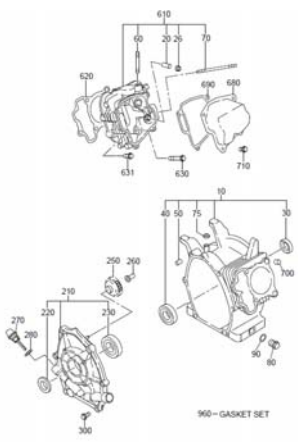


Model **RGX2900**

PARTS CATALOG

Spec. No. RLE29038010
(E/G Spec. No. EX170D20512)



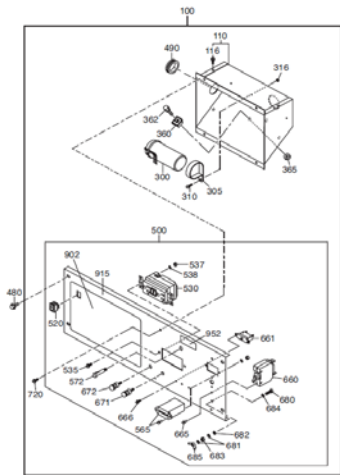
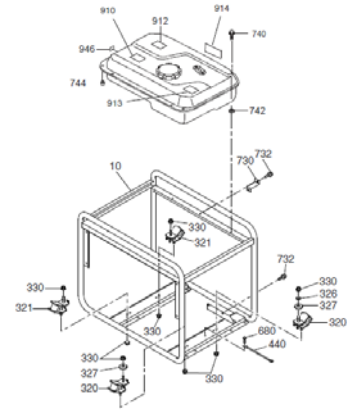
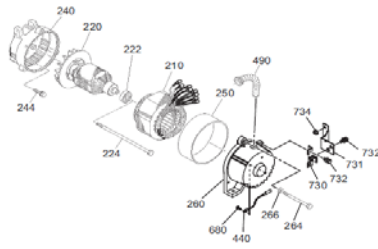
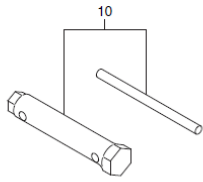
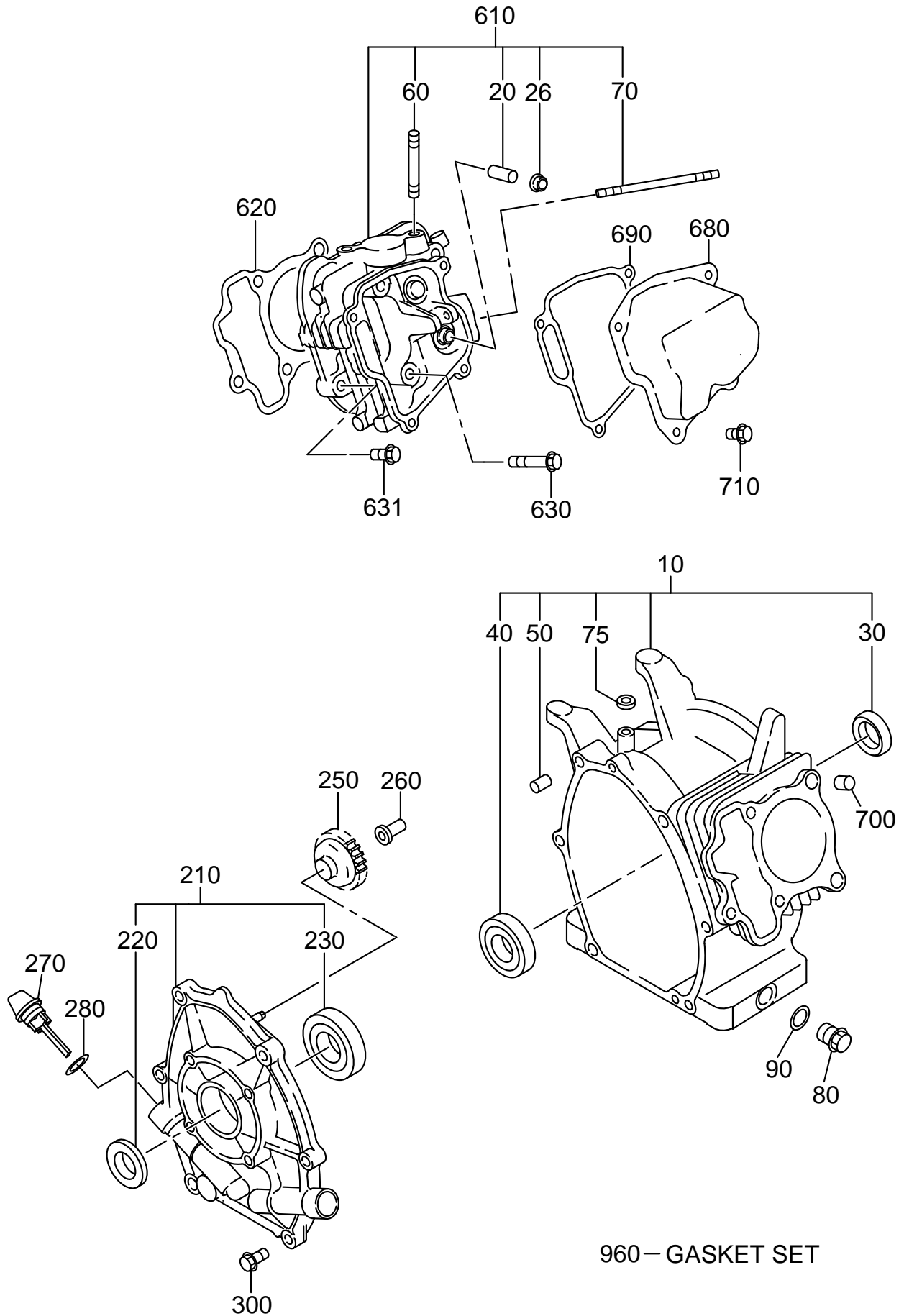
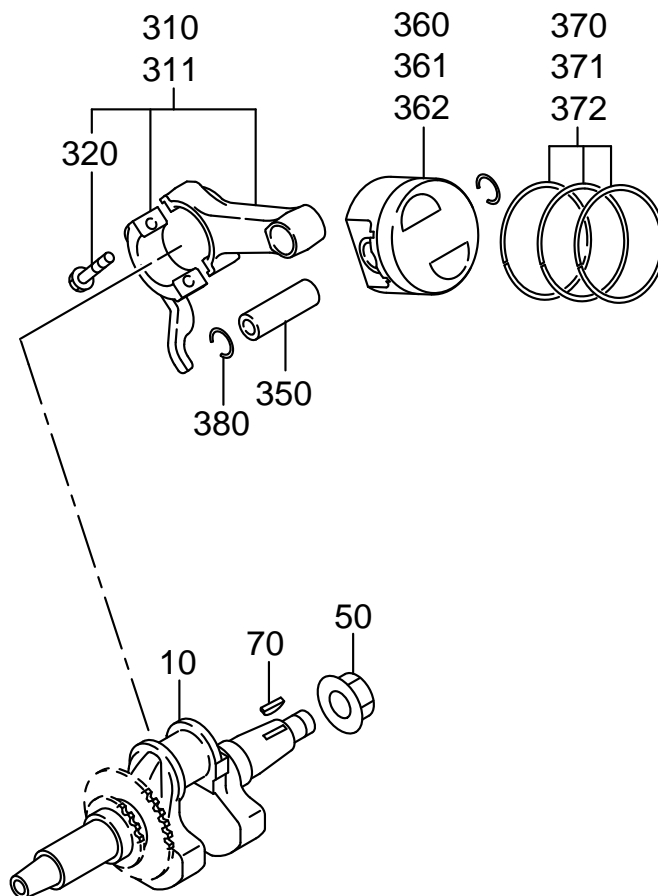


FIG. 100



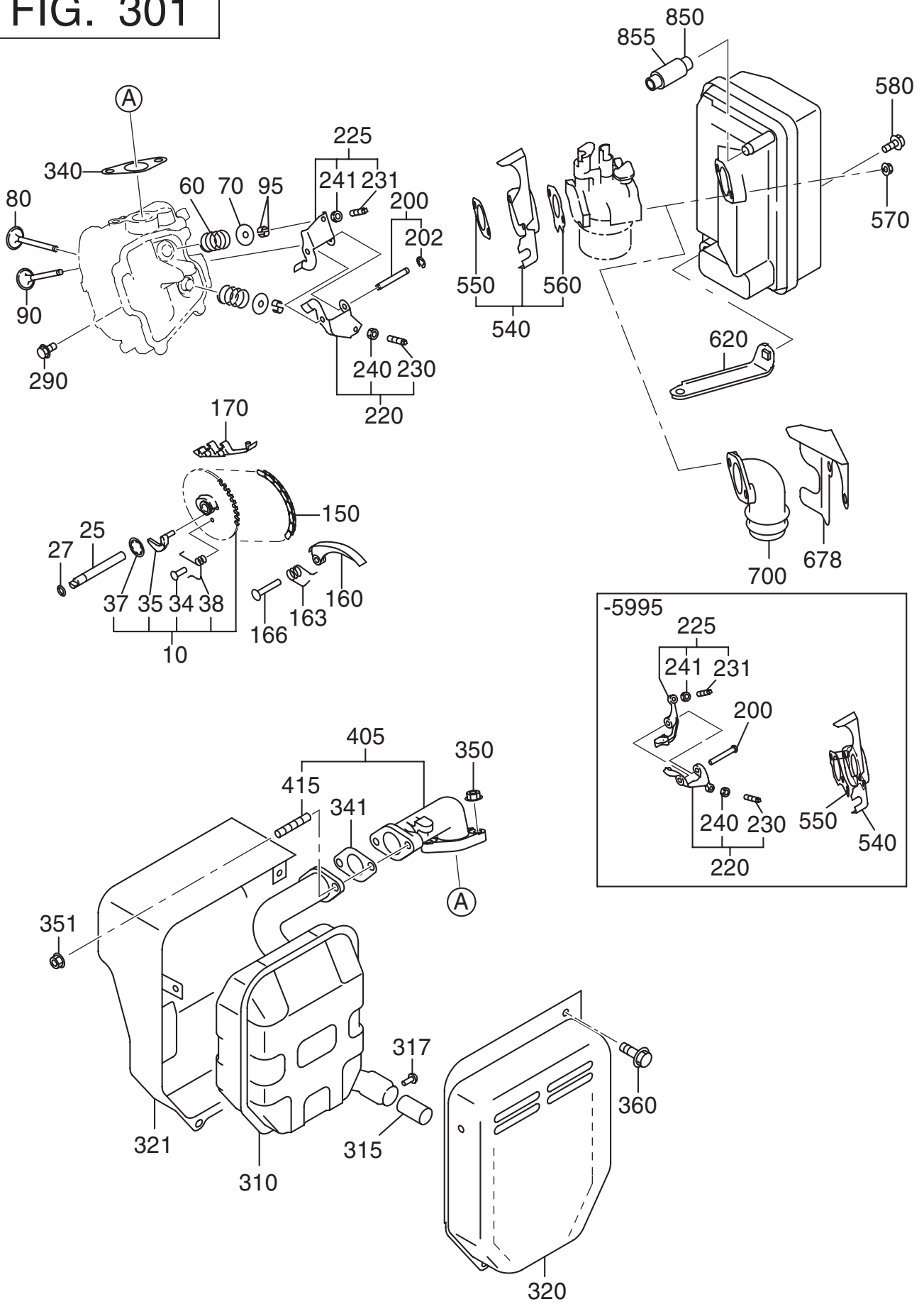
REF.	PART NUMBER	PART NAME	QTY	R E M A R K S	CODE NO.	INTERCHANGE P/NO.
10	277-10102-41	CRANK CASE CP	1	W/OIL SENSOR	-	
20	237-14202-03	VALVE GUIDE	2	5.5DX9.5DX27L	-	
26	277-16010-01	STEM SEAL	1	5.5DX9.5DX15DX7.8B	-	
30	044-02502-00	OIL SEAL	1	25DX38DX7B	-	
40	060-02800-21	BALL BEARING	1	28DX58DX16B	-	
50	277-15011-03	PIPE KNOCK	2	10.3DX8.5DX14L	-	
60	010-50802-90	STUD	2	M8X1.25X30L	-	
70	010-50603-51	STUD	2	M6X1.0X98L	-	
75	044-00600-20	OIL SEAL	1	6DX10DX2.5B	-	
80	040-11400-30	PLUG	2	M14X1.5X20DX12L	-	
90	021-11400-20	GASKET	2	14.1DX19DX2.3T	-	
210	277-11001-31	MAIN BEARING COVER C	1	FLANGE 4-M8X1.25	-	
220	044-02502-10	OIL SEAL	1	25DX41.25DX6B	-	
230	060-02501-40	BALL BEARING	1	25DX52DX15B	-	
250	277-45004-J1	GOVERNOR GEAR CP	1	53DX29.1T N=33	-	
260	277-41901-03	GOVERNOR SLEEVE	1	6DX7.6DX16DX26L	-	
270	277-63601-23	OIL GAUGE	2	M18X1.5 L=70+18	-	
280	021-31600-20	GASKET	2	16DX23DX1.2T RUBBER	-	X21-31600-20
300	001-04083-50	FLANGE BOLT	6	M8X1.25X16DX35L	-	
610	277-13002-11	CYLINDER HEAD CP	1		-	
620	277-15001-23	GASKET(HEAD)	1	T=0.2	-	
630	011-00802-40	FLANGE BOLT	4	M8X1.25X16DX68L	-	
631	011-00803-10	FLANGE BOLT	1	M8X1.25X16DX33L	-	
680	277-15503-01	ROCKER COVER CP	1		-	
690	277-16001-13	GASKET(ROCKER COVER)	1	T=0.5	-	
700	277-15011-03	PIPE KNOCK	2	10.3DX8.5DX14L	-	
710	011-00600-20	FLANGE BOLT	4	M6X1.0X14DX12L	-	
960	277-99001-27	GASKET SET	1		-	

FIG. 200



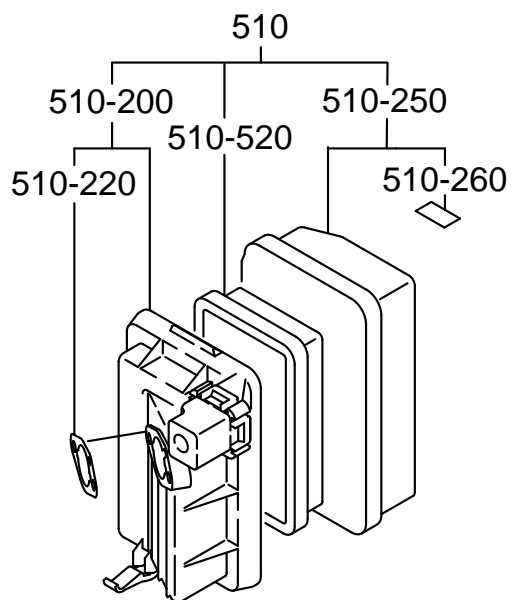
REF.	PART NUMBER	PART NAME	QTY	R E M A R K S	CODE NO.	INTERCHANGE P/NO.
10	277-20701-21	CRANKSHAFT CP	1	L=229 20DX1/5 TAPER	-	
50	018-01400-20	FLANGE NUT	1	M14X1.5X28DX12H	-	
70	032-30300-10	WOODRUFF KEY	1	3BX6HX16D	-	
310	277-22501-10	CONNECTING ROD AY	1	84.5CDX25B 30D-16D	-	
311	277-22502-00	CONNECTING ROD AY	1	0.25 U.S.	-	
320	277-23001-03	CONNECTING ROD BOLT	2	M6X1.0X13DX33L	-	
350	277-23301-13	PISTON PIN	1	16DX11DX48.5L	-	
360	277-23401-J3	PISTON	1	STD (67DX40H)	-	
361	277-23403-J3	PISTON	1	0.25 O.S.(67DX40H)	-	
362	277-23404-J3	PISTON	1	0.50 O.S.(67DX40H)	-	
370	277-23501-17	PISTON RING SET	1	STD(67D) OIL 3PIECE	-	
371	277-23502-17	PISTON RING SET	1	0.25 O.S. OIL 3PIECE	-	
372	277-23503-17	PISTON RING SET	1	0.50 O.S. OIL 3PIECE	-	
380	056-51600-10	CLIP	2	17.1DX1.4D	-	

FIG. 301



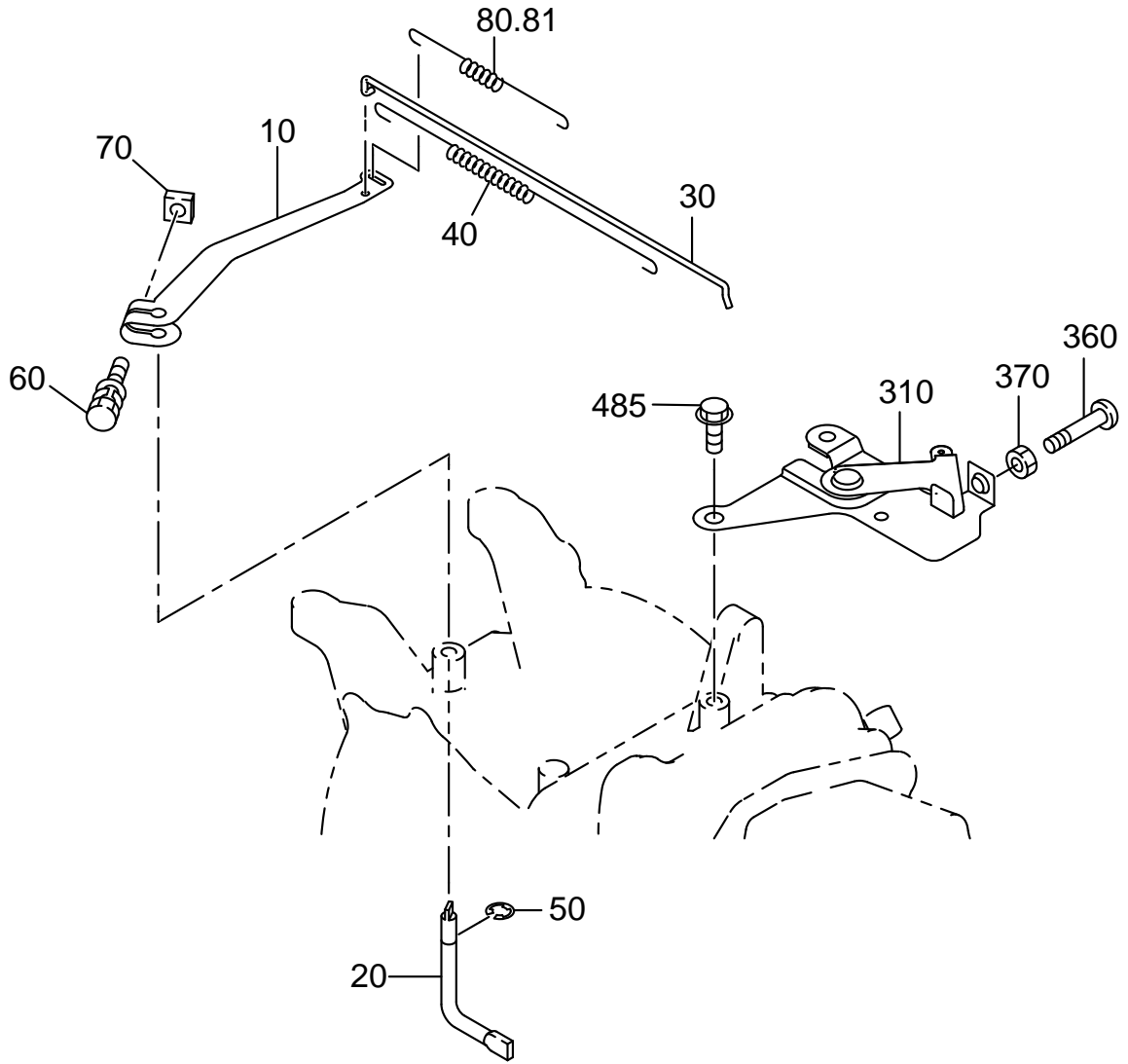
REF.	PART NUMBER	PART NAME	QTY	R E M A R K S	CODE NO.	INTERCHANGE P/NO.
10	278-31601-31	CAM SHAFT CP	1	85DX2.9B N=40	-	
25	277-35101-03	PIN(CAM SHAFT)	1	9DX78.5L	-	
27	024-00600-10	O RING	1	5.8DX9.6D	-	
34	277-38601-03	PIN(SPRING)	1	4DX8DX9L	-	
35	277-36401-03	RELEASE LEVER	1		-	
37	277-36501-03	CLIP	1	13.8DX20.3DX0.4T	-	
38	279-38701-13	RETURN SPRING	1	5.3DX0.6DX5.5L N=5.7	-	
60	279-33601-03	VALVE SPRING	2	19.2DX2.3DX27.4L	-	
70	269-33701-03	SPRING RETAINER	2		-	
80	277-33401-H3	INTAKE VALVE	1	25.5DX5.5DX68.1L	-	
90	277-33501-H3	EXHAUST VALVE	1	23.5DX5.5DX68.1L	-	
95	132-10KA0-31	COLLET-VALVE	4		-	
150	277-35601-11	TIMING CHAIN CP	1	88 LINK	-	
160	277-36911-03	TENTIONER	1		-	
163	277-37101-03	SPRING(TENTIONER)	1	10DX1.8DX14L N=4.5	-	
166	277-36902-03	PIN(TENTIONER)	1	6DX13DX34L	-	
170	277-36913-13	CHAIN GUIDE	1		-	
200	277-35002-01	PIN(ROCKER) CP	1	6DX46L	-	
202	003-13050-00	CLIP	1	5DX11DX0.6T	-	
220	277-36201-00	ROCKER ARM(IN) AY	1		-	
225	277-36202-00	ROCKER ARM(EX) AY	1		-	
230	014-90500-20	ADJUST SCREW	1	M5X0.5X23L	-	
231	014-90500-20	ADJUST SCREW	1	M5X0.5X23L	-	
240	017-00500-30	NUT	1	M5X0.5X4.1H	-	
241	017-00500-30	NUT	1	M5X0.5X4.1H	-	
290	011-00600-20	FLANGE BOLT	1	M6X1.0X14DX12L	-	
310	277-30201-21	MUFFLER CP	1	GENERATOR	-	
320	277-34501-01	MUFFLER COVER(1) CP	1	GENERATOR	-	
321	277-34601-01	MUFFLER COVER(2) CP	1	GENERATOR	-	
340	277-35201-13	GASKET(MUFFLER)	1	T=0.2 26D 9DX58P	-	
341	277-35201-01	GASKET CP(EXHAUST)	1	T=1.6 28D 8.5DX52P	-	
350	980-20082-80	FLANGE NUT	2	M8X1.25X17DX7.5H	-	
351	980-20082-80	FLANGE NUT	2	M8X1.25X17DX7.5H	-	
405	277-34001-01	EXHAUST PIPE CP	1		-	
415	010-50802-90	STUD	2	M8X1.25X30L	-	
540	277-32902-J1	INSULATOR CP	1		-	
550	277-35903-J3	GASKET2(INSULATOR)	1	T=0.5	-	
560	277-35902-J3	GASKET1(INSULATOR)	1	T=0.5	-	
570	002-38060-00	FLANGE NUT	2	M6X1.0X13DX6H	-	
580	011-00600-50	FLANGE BOLT	1	M6X1.0X13DX20L	-	
620	277-39001-01	BRACKET(A/C) CP	1		-	
850	277-32762-08	BREATHER PIPE	1	8DX11DX95L	-	085-10800-00

FIG. 317



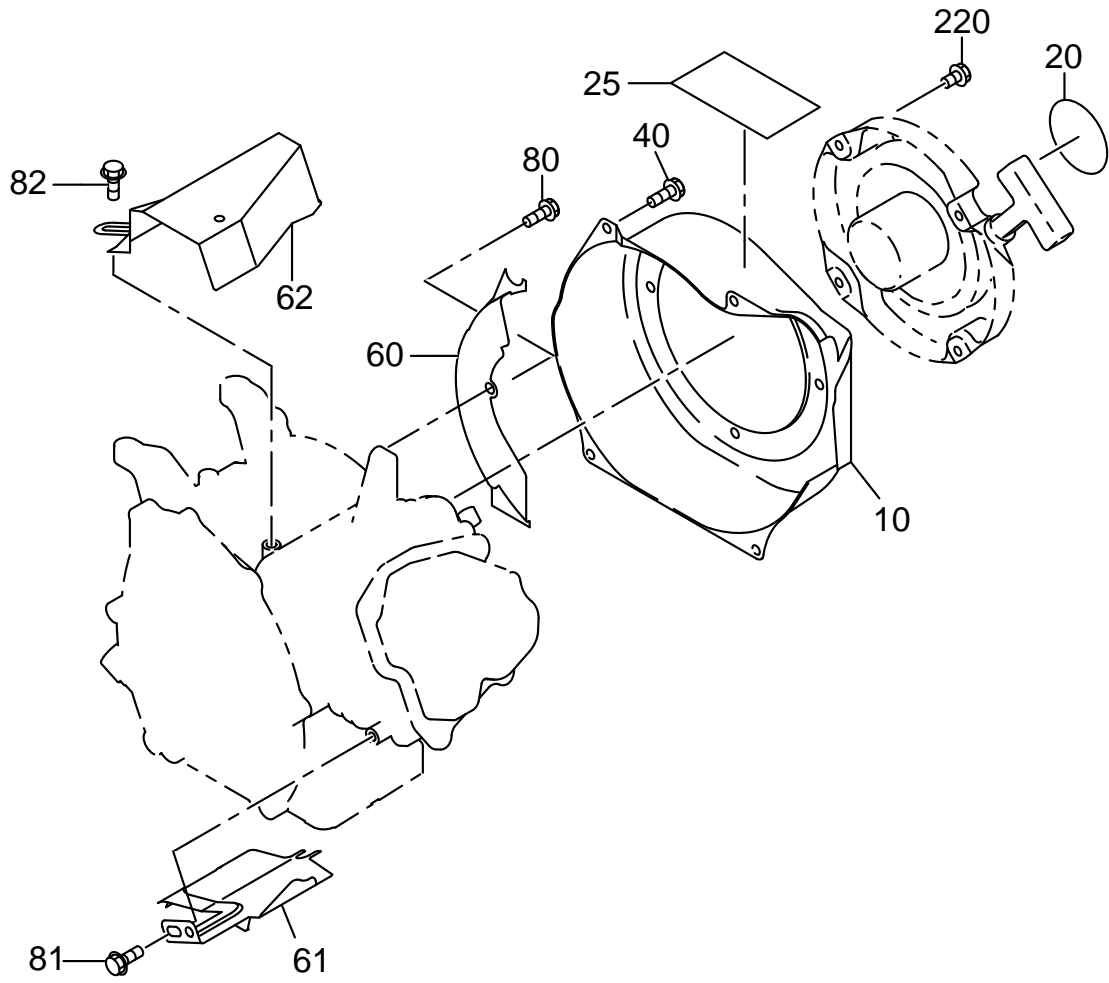
REF.	PART NUMBER	PART NAME	QTY	R E M A R K S	CODE NO.	INTERCHANGE P/NO.
510	277-32622-20	AIR CLEANER AY	1	GENERATOR	-	
-200	277-32632-08	BACE CP	1		-	
-220	277-32604-08	PACKING	1		-	
-250	277-32643-18	COVER CP	1		-	
-260	073-20044-30	LABEL(CHOKE)	1	14X28 ILLUSTR	-	
-520	277-32661-17	ELEMENT AY	1	GENERATOR	-	

FIG. 400



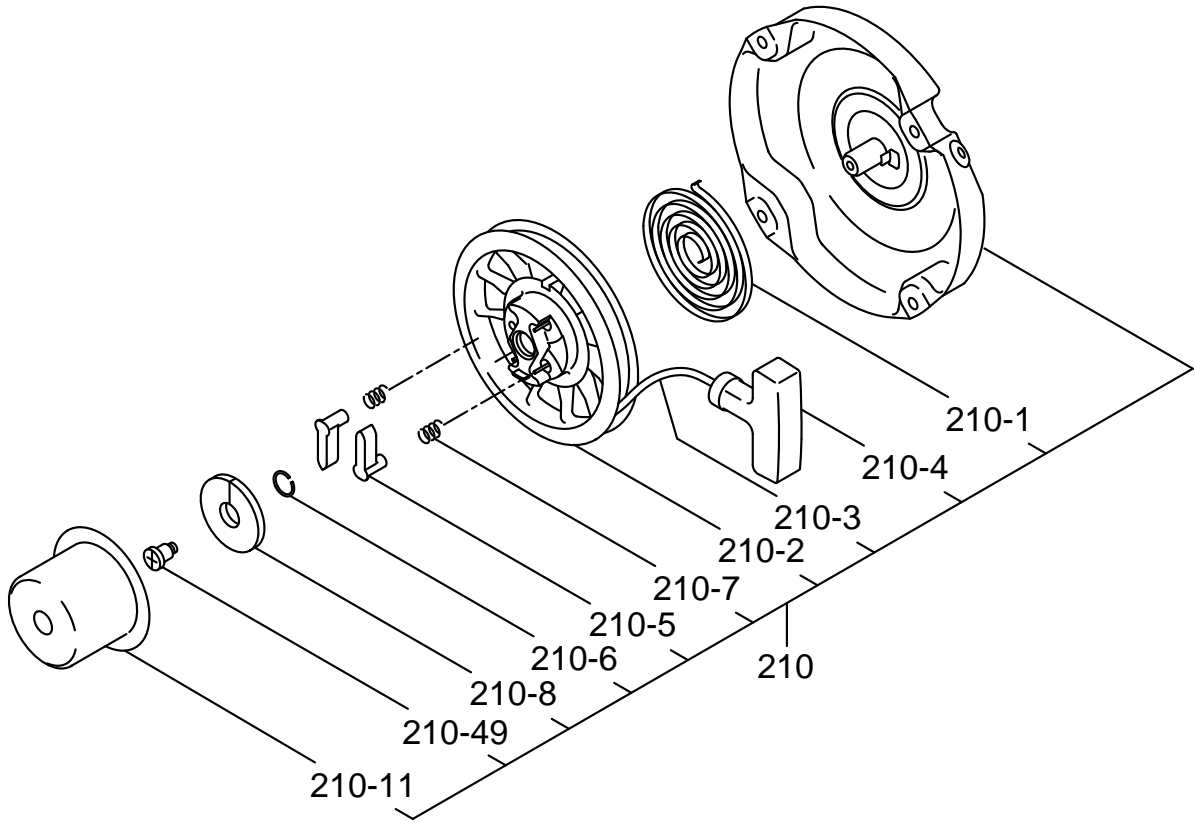
REF.	PART NUMBER	PART NAME	QTY	R E M A R K S	CODE NO.	INTERCHANGE P/NO.
10	277-42301-43	GOVERNOR LEVER	1		7625-	
	277-42301-33	GOVERNOR LEVER	1		7539-7624	277-42301-43
	277-42301-23	GOVERNOR LEVER	1		-7538	277-42301-33
20	277-42201-33	GOVERNOR SHAFT	1		-	
30	277-42701-11	GOVERNOR ROD CP	1		-	
40	277-42801-23	ROD SPRING	1	7DX0.5DX182L N=16	-	
50	003-13050-00	CLIP	1	5DX11DX0.6T	-	
60	013-00602-40	BOLT AND WASHER AY	1	M6X1.0X25L W/TWO W	-	
70	018-60600-20	NUT	1	M6X1.0X4.9H SQUARE	-	
80	279-42505-33	GOVERNOR SPRING	1	7.5DX0.7DX115L N=25	-	
310	277-46501-11	SPEED CONTROL CP	1		-	
360	004-31064-00	SCREW	1	M6X1.0X40L	-	
370	002-17060-00	NUT	1	M6X1.0X5H	-	
485	011-00600-20	FLANGE BOLT	2	M6X1.0X14DX12L	-	

FIG. 500



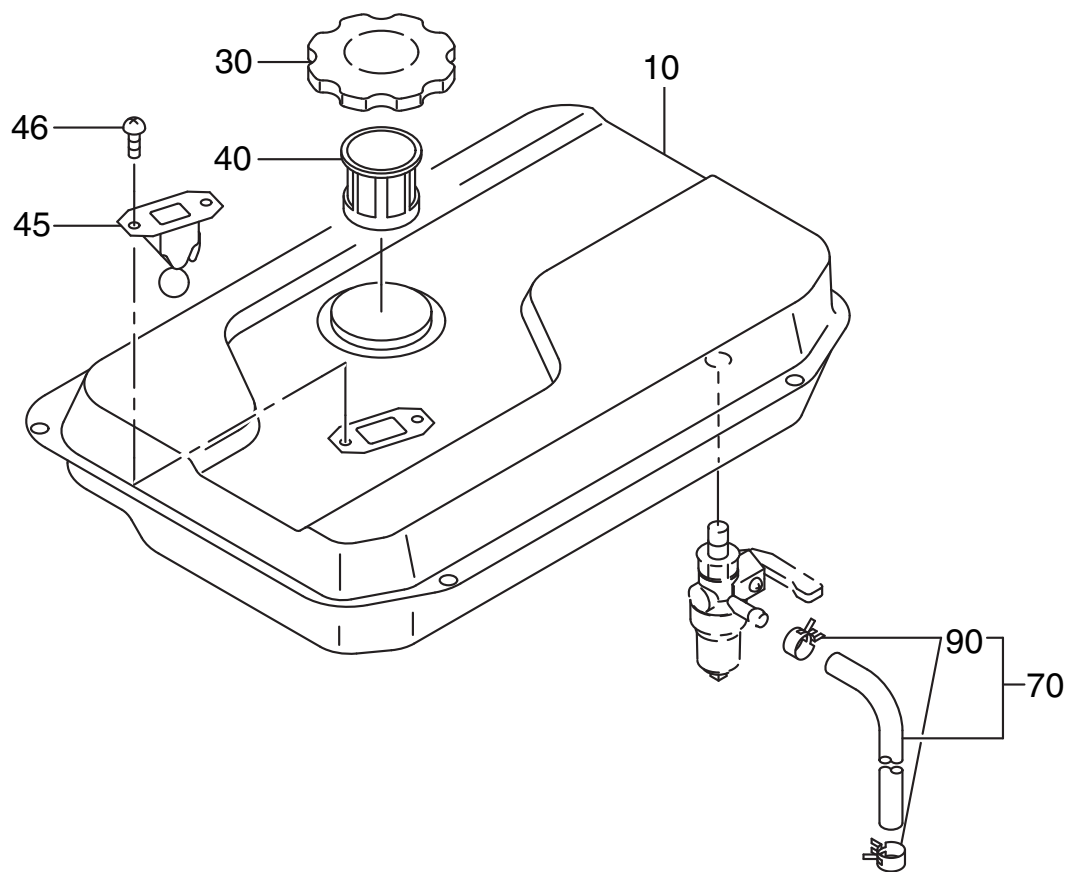
REF.	PART NUMBER	PART NAME	QTY	R E M A R K S	CODE NO.	INTERCHANGE P/NO.
10	277-51226-01	BLOWER HOUSING CP	1	CANARY YELLOW	-	
20	073-20054-70	LABEL(TRADE MARK)	1	60D	-	
25	073-20051-81	LABEL(WARNING)	1	42X104 ENGLISH	-	
40	011-00600-30	FLANGE BOLT	4	M6X1.0X14DX14L	-	
60	277-52711-21	BAFFLE 1(CASE) CP	1		-	
61	277-52702-03	BAFFLE 2(HEAD)	1		-	
62	277-55001-21	DUCT (CASE) CP	1		-	
80	001-04061-60	FLANGE BOLT	1	M6X1.0X13DX16L	-	
81	011-00600-20	FLANGE BOLT	1	M6X1.0X14DX12L	-	
82	011-00600-20	FLANGE BOLT	3	M6X1.0X14DX12L	-	
220	011-00600-10	FLANGE BOLT	4	M6X1.0X14DX8L	-	

FIG. 520



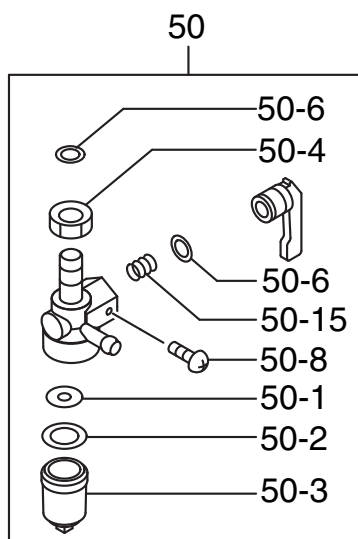
REF.	PART NUMBER	PART NAME	QTY	R E M A R K S	CODE NO.	INTERCHANGE P/NO.
210	269-50201-30	RECOIL STARTER AY	1	D 160PD	-	
- 1	270-50115-08	SPIRAL SPRING	1		-	
- 2	269-50120-08	REEL	1		-	
- 3	282-50111-18	STARTER ROPE	1		-	
- 4	261-50100-08	STARTER KNOB	1		-	
- 5	270-50125-08	RATCHET	2		-	
- 6	227-50131-08	FRICTION SPRING	1		-	
- 7	227-50135-08	RETURN SPRING	2		-	
- 8	270-50261-08	RATCHET GUIDE	1		-	
- 11	269-50145-18	STARTER PULLEY	1		-	
- 49	227-50152-08	SET SCREW	1		-	

FIG. 600



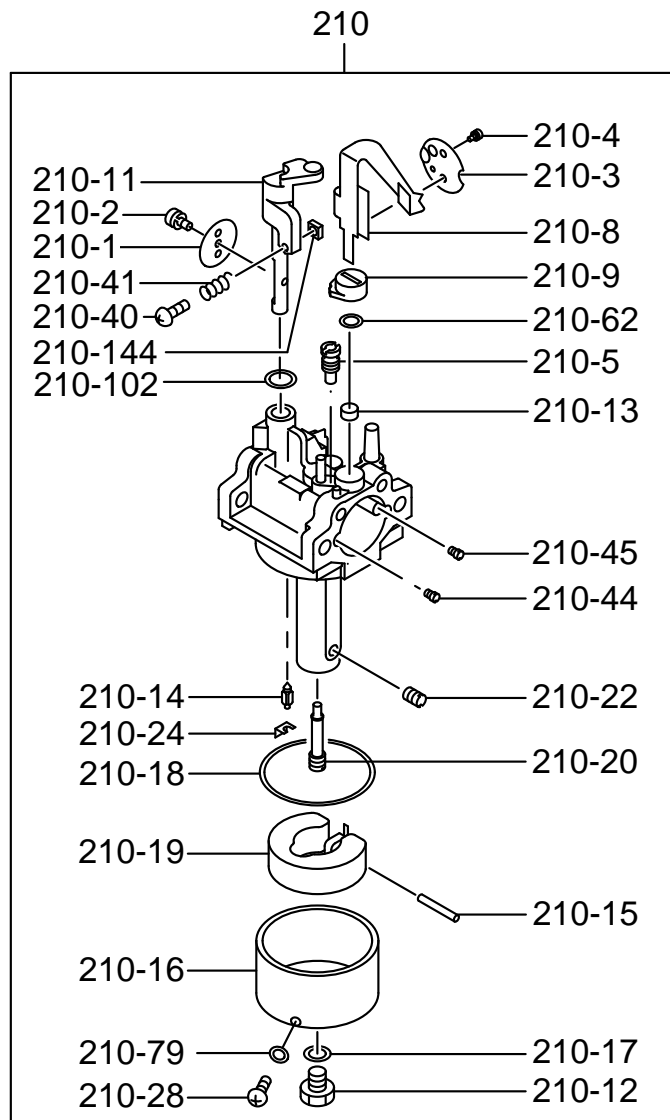
REF.	PART NUMBER	PART NAME	QTY	R E M A R K S	CODE NO.	INTERCHANGE P/NO.
10	270-61718-01	FUEL TANK CP	1	16L W/GAG CANARY YEL	-	
30	043-05900-11	FUEL TANK CAP AY	1	59DX102DX15H	-	
40	064-15400-11	FUEL FILTER	1	54DX58DX48H	-	
45	064-80018-00	FUEL GAUGE CP	1		-	
46	014-50500-40	SCREW(COUNTER HEAD)	2	M5X0.8X10L	-	
70	269-62613-01	FUEL PIPE 3 CP(EVP)	1		-	
90	056-11100-20	HOSE CLAMP	2	11.5DX8BX0.7T	-	

FIG. 630



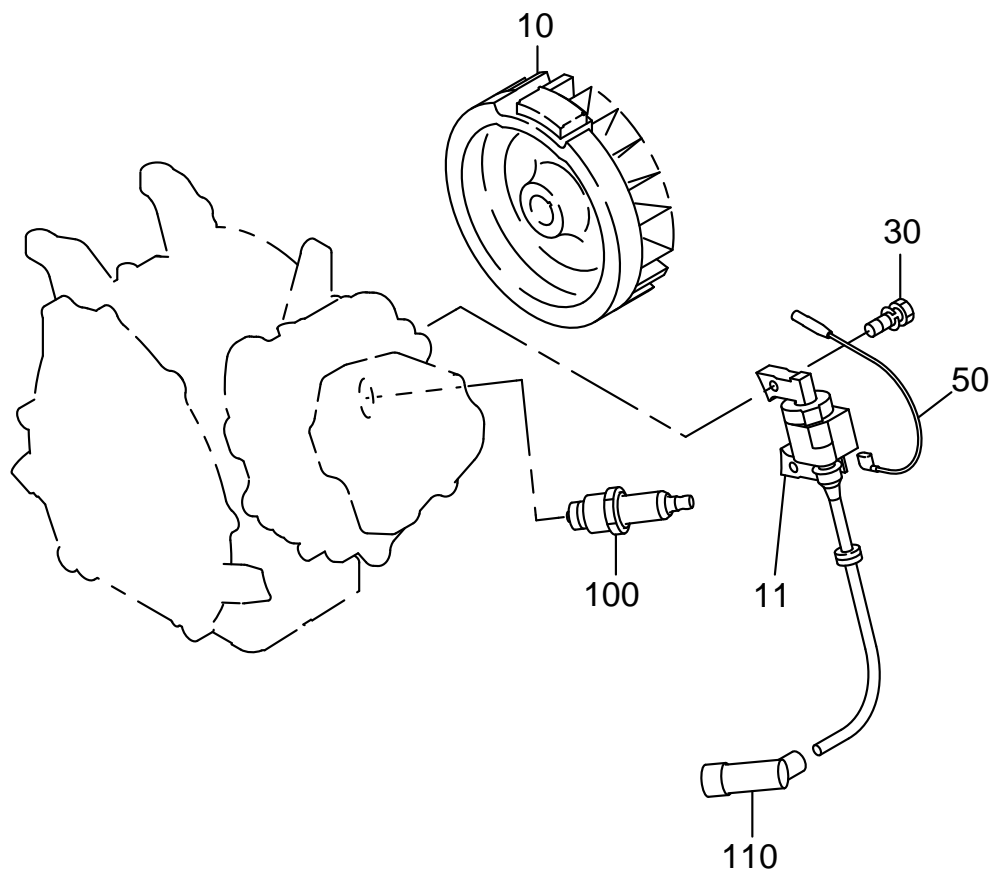
REF.	PART NUMBER	PART NAME	QTY	R E M A R K S	CODE NO.	INTERCHANGE P/NO.
50	064-20100-01	FUEL STRAINER AY	1		-	
- 1	064-20041-10	FILTER	1		-	
- 2	064-20014-30	RUBBER PACKING	1		-	
- 3	064-20014-10	CUP	1		-	
- 4	064-20100-30	LOCK NUT	1		-	
- 6	064-20003-30	O-RING	2		-	
- 8	064-20027-90	BOLT	1		-	
- 15	064-20032-30	SPRING	1		-	

FIG. 640



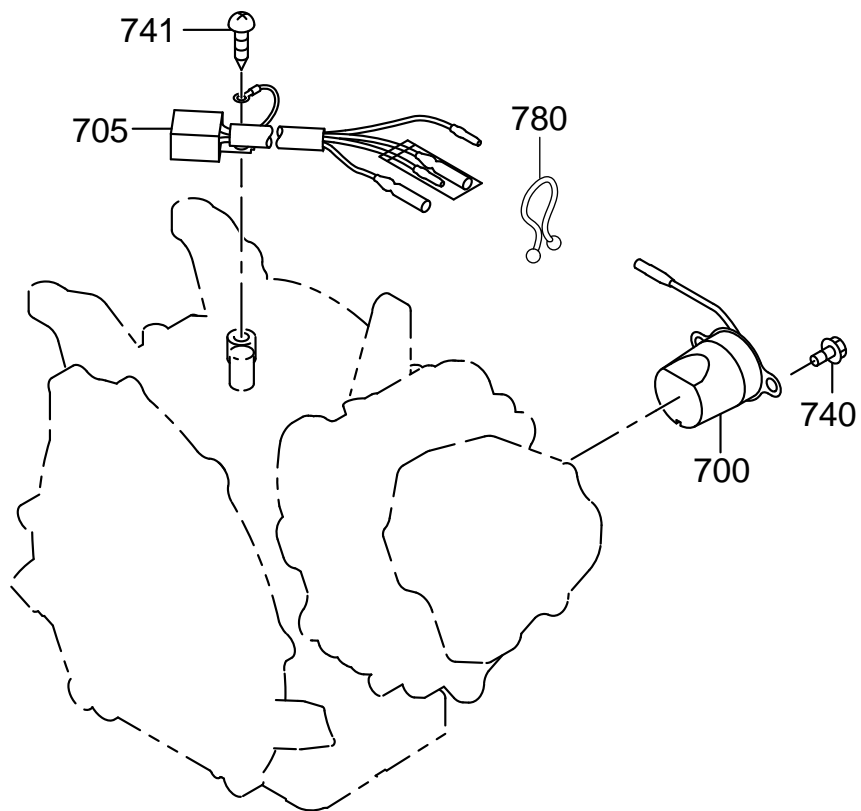
REF.	PART NUMBER	PART NAME	QTY	R E M A R K S	CODE NO.	INTERCHANGE P/NO.
210	277-62304-40	CARBURETOR AY	1		-	
- 1	277-62535-08	THROTTLE VALVE	1	#160	-	
- 2	209-62351-08	SCREW	1		-	
- 3	277-62527-08	VALVE CHOKE	1		-	
- 4	237-62451-08	SCREW	2		-	
- 5	246-62420-08	PILOT JET	1	#40	-	
- 8	277-62522-08	CHOKE LEVER	1		-	
- 9	277-62570-28	RING	1		-	
- 11	277-62531-18	THROTTLE SHAFT-A	1		-	
- 12	227-62451-08	BOLT	1		-	
- 13	277-62571-08	RING	1		-	
- 14	277-62500-08	NEEDLE	1		-	
- 15	277-62515-08	PIN	1		-	
- 16	277-62506-08	FLOAT BODY AY	1		-	
- 17	214-62450-08	PACKING	1		-	
- 18	214-62540-08	CHAMBER PACKING	1		-	
- 19	226-62506-08	FLOAT	1		-	
- 20	277-62440-08	MAIN NOZZLE	1		-	
- 22	277-62402-08	MAIN JET	1	#81.3	-	
- 24	226-62701-18	CLIP	1		-	
- 28	277-62360-08	BOLT	1		-	
- 40	106-62556-08	SCREW	1		-	
- 41	283-62357-08	SPRING	1		-	
- 44	248-62410-08	AIR JET	1		-	
- 45	106-62410-08	AIR JET(PILOT)	1		-	
- 62	236-62680-08	SEAL	1		-	
- 79	236-62541-08	PACKING	1		-	
-102	246-62390-08	SEAL	1		-	
-144	277-62553-08	NUT	1		-	

FIG. 700



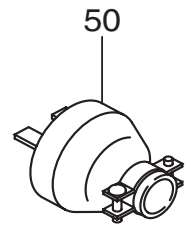
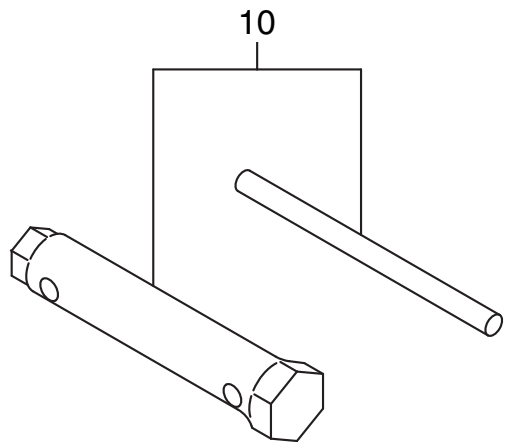
REF.	PART NUMBER	PART NAME	QTY	R E M A R K S	CODE NO.	INTERCHANGE P/NO.
10	277-79230-11	FLYWHEEL CP	1	MARK MF5330	-	
11	277-79431-11	IGNITION COIL CP	1	MARK BM3803	7527-	
	277-79431-01	IGNITION COIL CP	1	MARK BM3790	-7526	277-79431-11
30	001-14062-50	BOLT AND WASHER AY	2	M6X1.0X25L W/W,SW	-	
50	277-73102-H1	WIRE 2 CP	1	L=360 BLACK	-	
100	065-01401-50	SPARK PLUG	1	NGK BR6HS	-	
110	065-50002-70	SPARK PLUG CAP	1		-	

FIG. 770



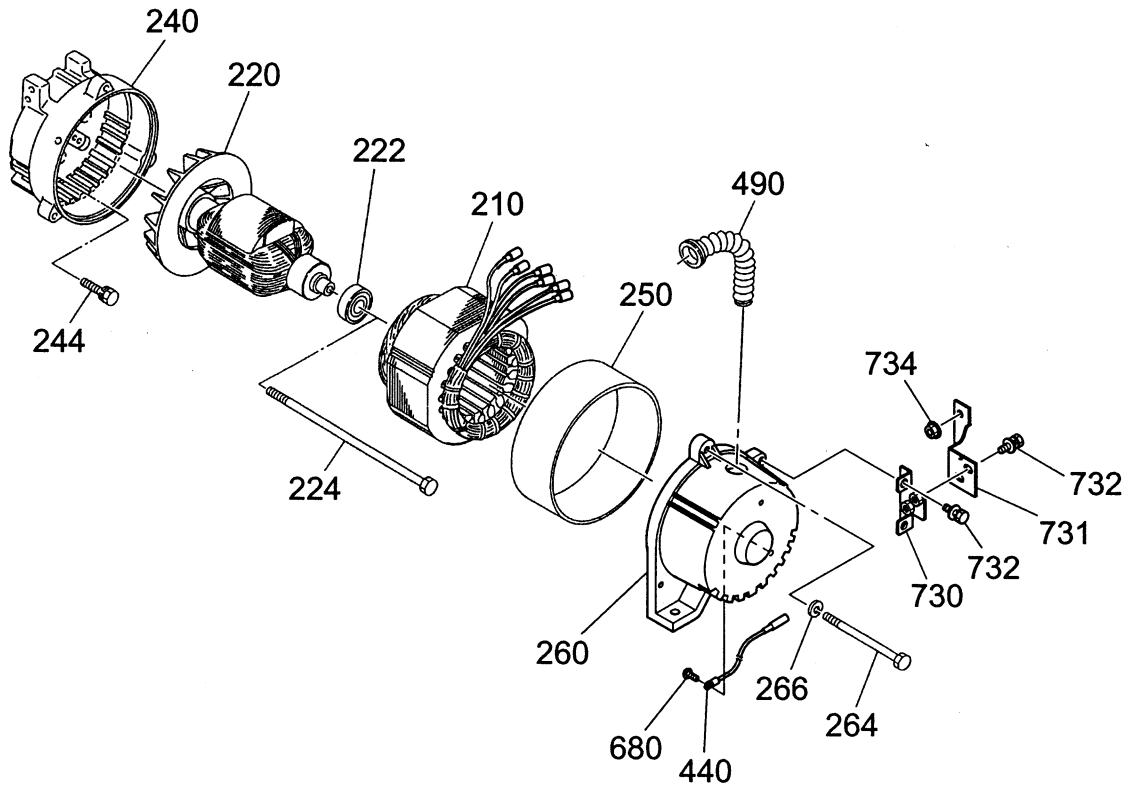
REF.	PART NUMBER	PART NAME	QTY	R E M A R K S	CODE NO.	INTERCHANGE P/NO.
700	277-76301-21	OIL SENSOR CP	1		-	
705	KU3-11070-01	FLOAT C/U CP4	1		-	
740	001-14061-60	BOLT AND WASHER AY	2	M6X1.0X16L W/W,SW	-	
741	015-00400-90	TAPPING SCREW	2	M4X12L	-	
780	056-90000-20	PURSE LOCK	1		-	

FIG. 900



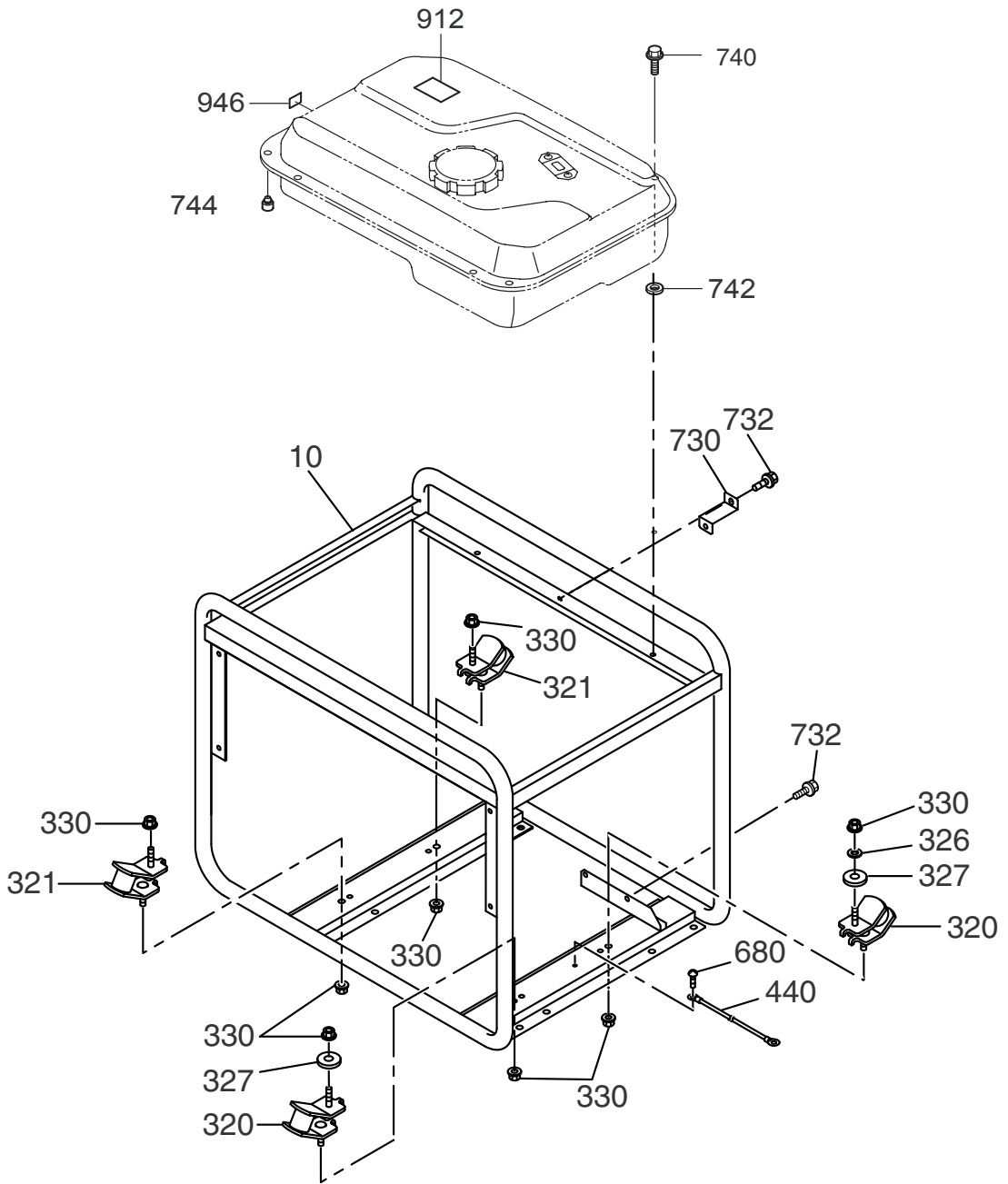
REF.	PART NUMBER	PART NAME	QTY	R E M A R K S	CODE NO.	INTERCHANGE P/NO.
10	277-90301-H0	ACCESSORY TOOL KIT	1		-	
50	320-75122-08	PLUG	2		-	

FIG. 2200



REF.	PART NUMBER	PART NAME	QTY	R E M A R K S	CODE NO.	INTERCHANGE P/NO.
210	35A-51003-01	STATOR CP	1	50Hz-240V, with DC	-	
220	35A-51001-01	ROTOR CP	1		-	
222	353-58208-08	BALL BEARING	1		-	
224	35A-54001-01	THROUGH BOLT	1		-	
240	367-54113-08	FRONT COVER	1		-	
244	359-59935-08	BOLT & WASHER AY	4		-	
250	31B-51023-01	STATOR COVER	1		-	
260	35A-52001-01	REAR COVER	1		-	
264	366-58305-08	COVER BOLT	3		-	
266	003-20060-00	SPRING WASHER	3	6.1DX12.2DX1.5T	-	
440	35A-53001-01	WIRE CP	1		-	
490	353-57506-18	BUSHING	1		-	
680	004-31030-60	SCREW,PANHEAD	1		-	
730	35A-63001-01	MUFFLER BRACKET A	1		-	
731	35A-63002-01	MUFFLER BRACKET B	1		-	
732	359-59935-08	BOLT & WASHER AY	4		-	
734	002-38080-00	FLANGE NUT	2	M8X1.25X17DX7.5H	-	

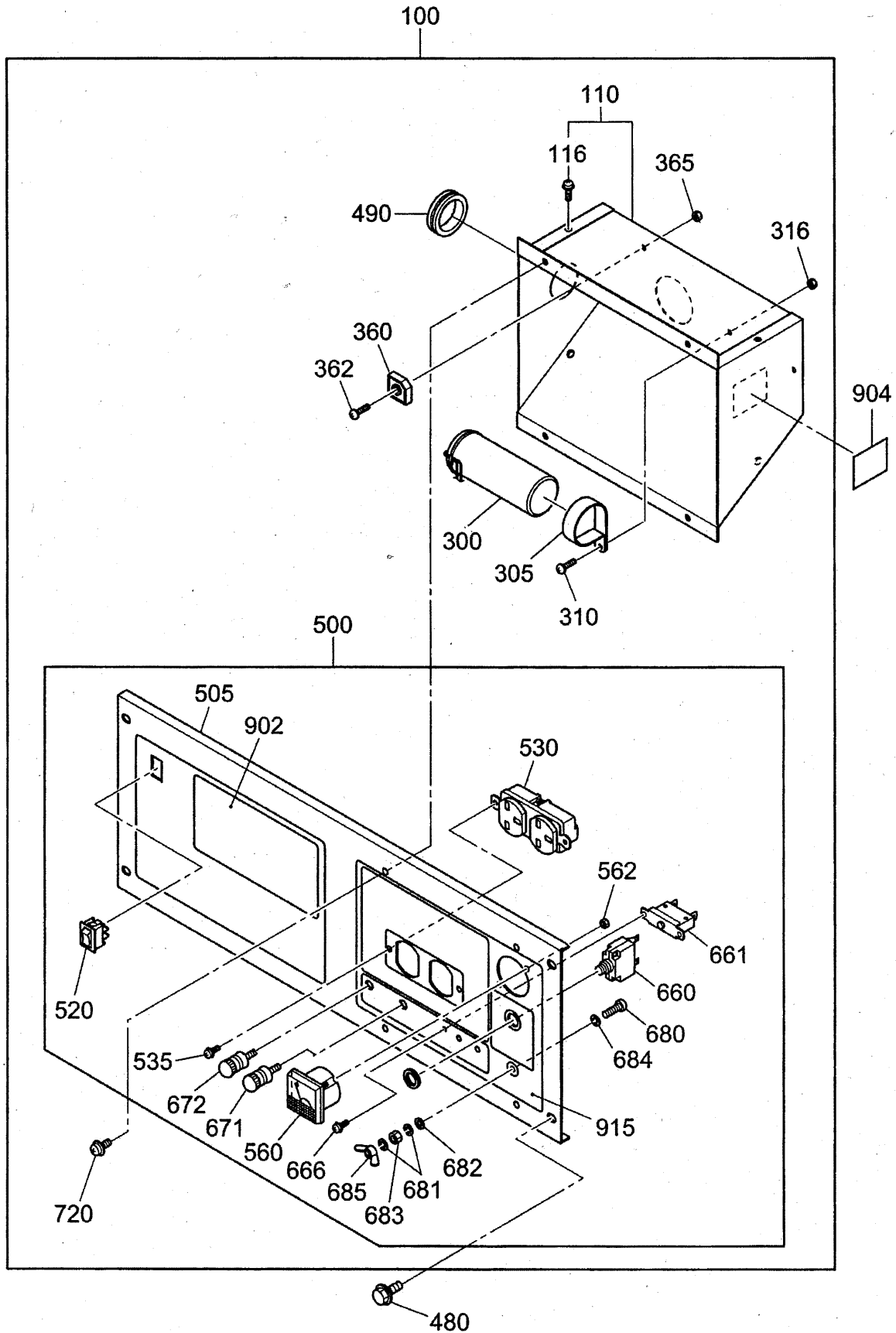
FIG.2300



REF.	PART NUMBER	PART NAME	QTY	R E M A R K S	CODE NO.	INTERCHANGE P/NO.
10	35A-61001-01	PIPE FRAME CP	1		-	
320	31C-65001-01	RUBBER MOUNT UN	2		-	
321	377-37001-11	RUBBER MOUNT UN	2		-	
326	003-10080-00	WASHER	1	8.5DX16DX1.2T	-	
327	020-00801-40	SPACER	2		-	
330	002-38080-00	FLANGE NUT	8	M8X1.25X17DX7.5H	-	
440	30A-82201-03	EARTH CORD CP	1		-	
680	392-49987-08	SCREW & WASHER AY	1		-	
730	35A-63003-01	MUFFLER BRACKET	1		-	
732	35A-64001-01	FLANGE BOLT	6		-	
740	011-00602-20	FLANGE BOLT	2		-	
742	391-39000-13	RUBBER WASHER	2		-	
744	35C-62003-01	RUBBER MOUNT	2		-	
912	388-93003-03	LABEL(CAUTION)	1		-	
946	073-20050-80	LABEL(F.STRAINER)	1	25X35	-	

FIG. 2400

50Hz-230V



REF.	PART NUMBER	PART NAME	QTY	R E M A R K S	CODE NO.	INTERCHANGE P/NO.
100	35A-70101-00	CONTROL BOX AY	1		-	
110	35A-71101-02	CONTROL BOX UN	1		-	
116	359-59929-08	SCREW & WASHER AY	4		-	
300	31E-74000-01	CONDENSER CP	1		-	
305	30G-47605-08	CONDENSER HOLDER	1		-	
310	390-49972-08	SCREW	1		-	
316	002-17040-00	NUT	1		-	
360	353-45804-08	DIODE STACK AY	1		-	
362	004-36042-00	SCREW AND WASHER	1		-	
365	002-17040-00	NUT	1		-	
480	35C-72014-03	FLANGE BOLT	4	M6X1.0X14DX12L	-	
490	389-89001-03	GROMMET	1		-	
500	35A-70201-00	PANEL A AY	1		-	
505	35A-71001-02	FRONT PANEL UN	1		-	
520	35A-72002-03	ROCKER SWITCH	1		-	
530	378-45736-08	AC RECEPTACLE	1		-	
535	351-49920-08	SCREW & WASHER AY	2		-	
560	391-47900-11	VOLT METER	1	200V CLASS	-	
562	388-49801-08	NUT	2		-	
660	35A-72001-03	BREAKER	1		-	
661	352-45620-08	CIRCUIT PROTECTOR	1		-	
666	351-49921-08	SCREW & WASHER AY	2		-	
671	363-45701-08	TERMINAL BOLT	1	RED 20A	-	
672	363-45700-08	TERMINAL BOLT	1	BLACK 20A	-	
680	356-49956-08	SCREW	1		-	
681	332-00050-08	SPRING WASHER	2		-	
682	353-49903-08	WASHER	1		-	
683	353-49902-08	NUT	1		-	
684	372-59950-08	LOCK WASHER	1		-	
685	353-49901-08	WING NUT	1		-	
720	31B-79012-03	BOLT AND WASHER AY	4		-	
902	35A-71209-02	LABEL(BRAND)	1		-	
904	35A-82102-03	LABEL(SPEC.)	1	50Hz-240V, with DC	-	
915	35A-71201-02	LABEL(PANEL)	1		-	