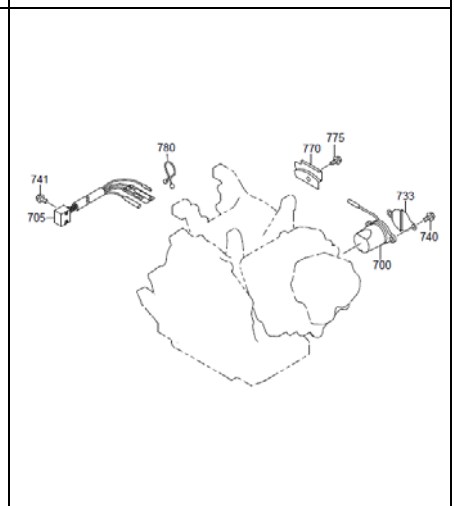
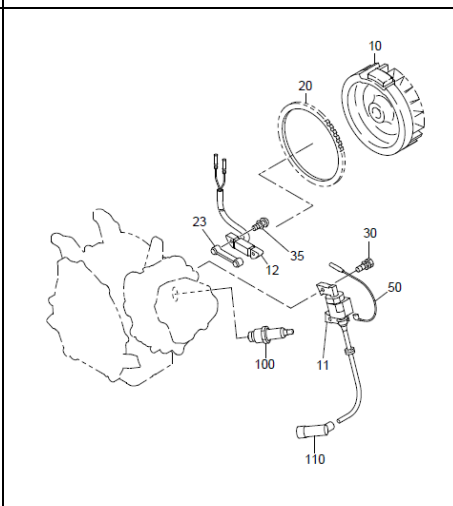
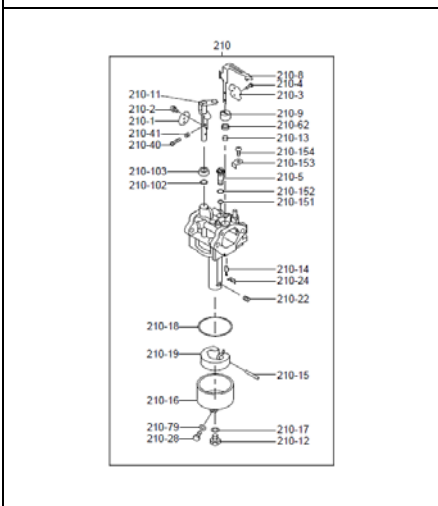
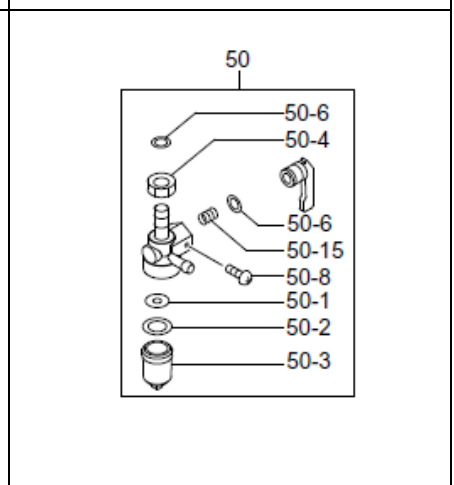
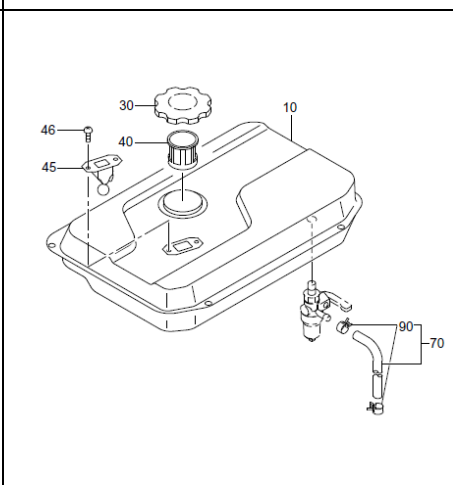
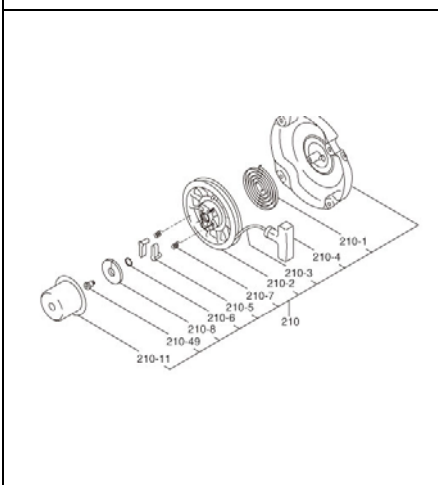
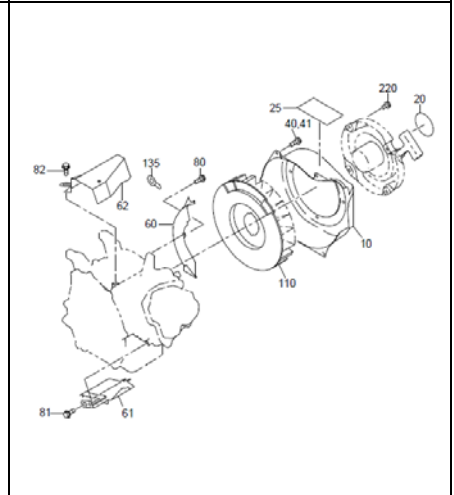
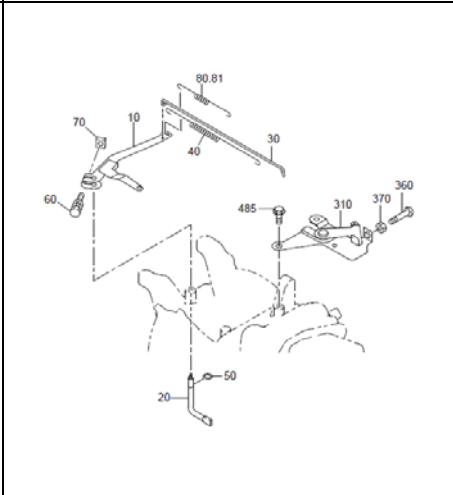
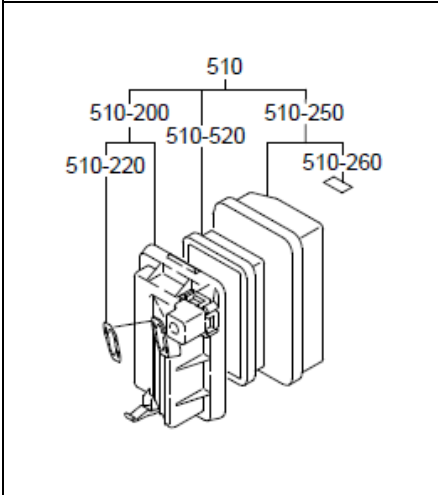
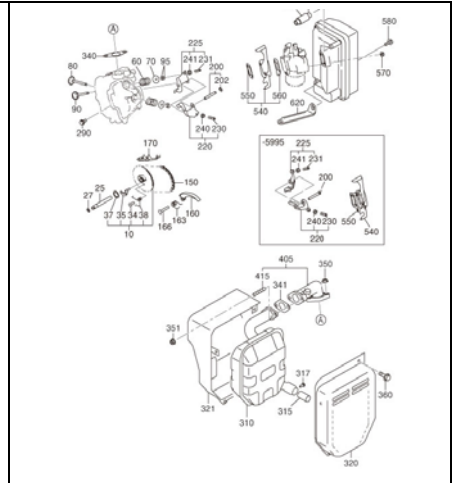
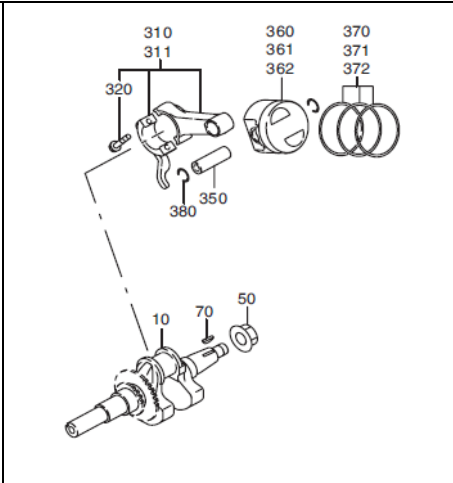
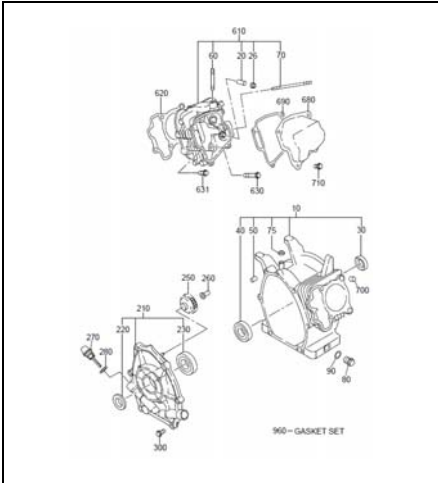


Model **RGX4800**

PARTS CATALOG

Spec. No. RLE48044010
(E/G Spec. No. EX270D20241)



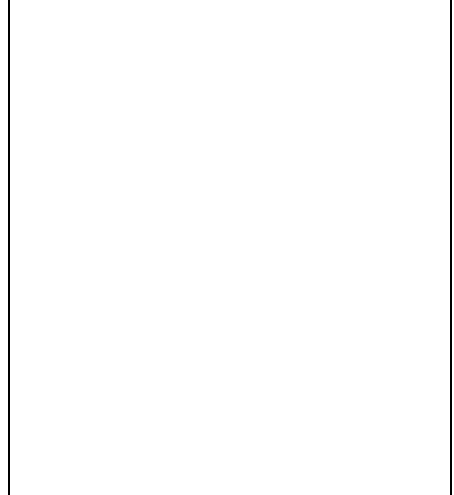
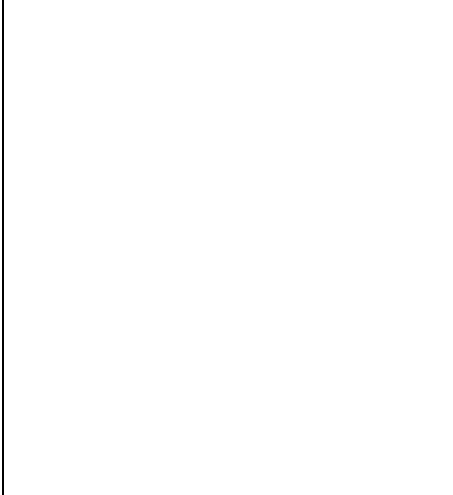
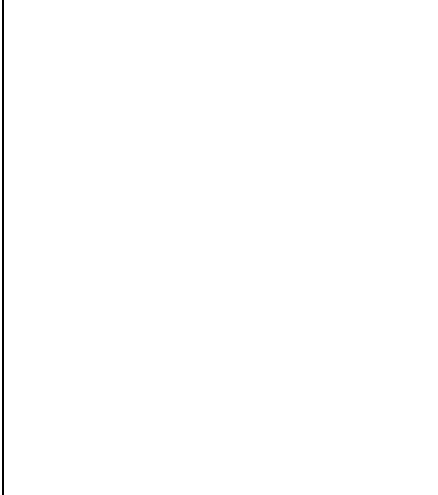
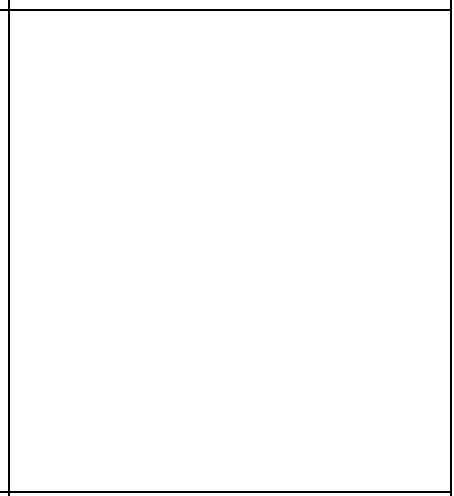
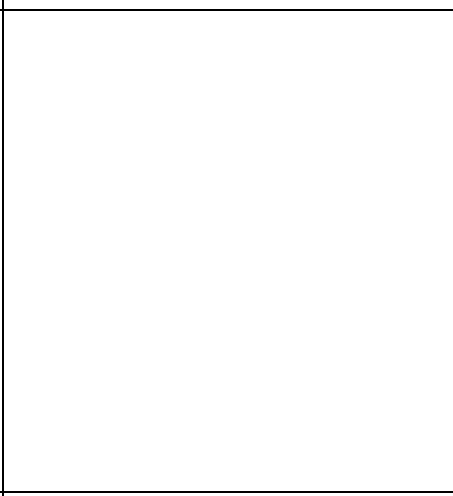
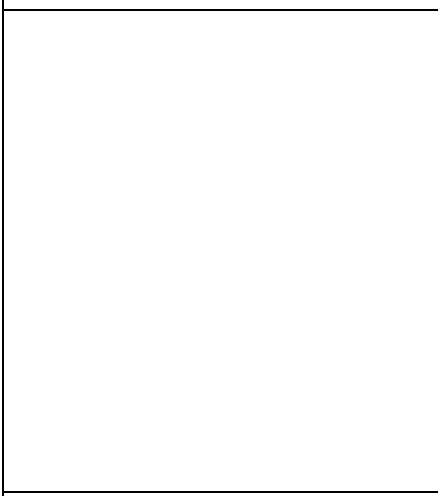
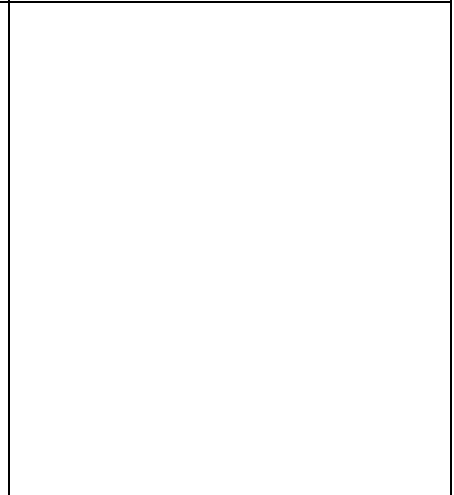
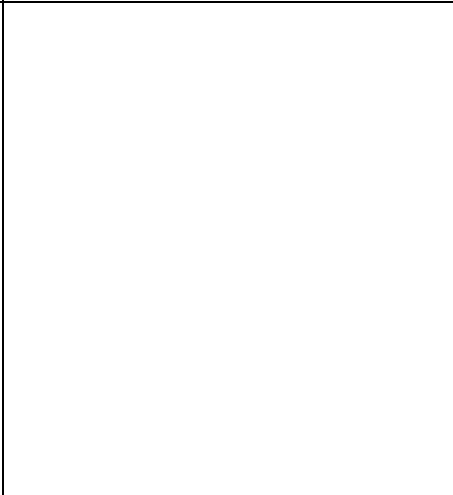
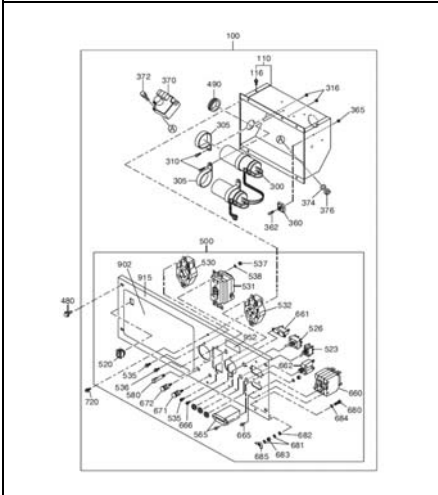
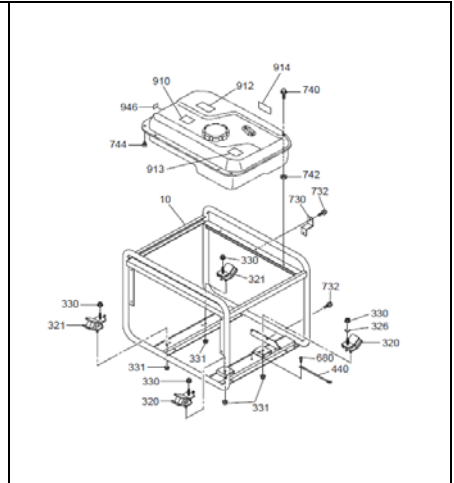
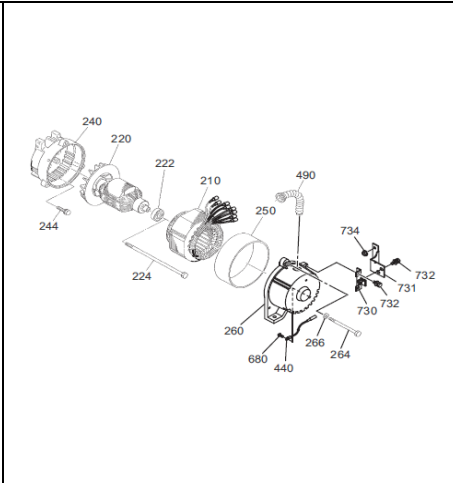
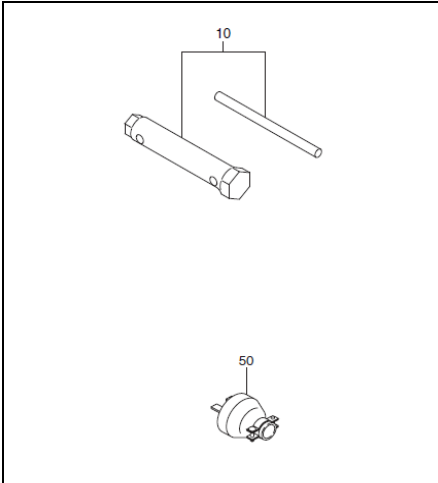
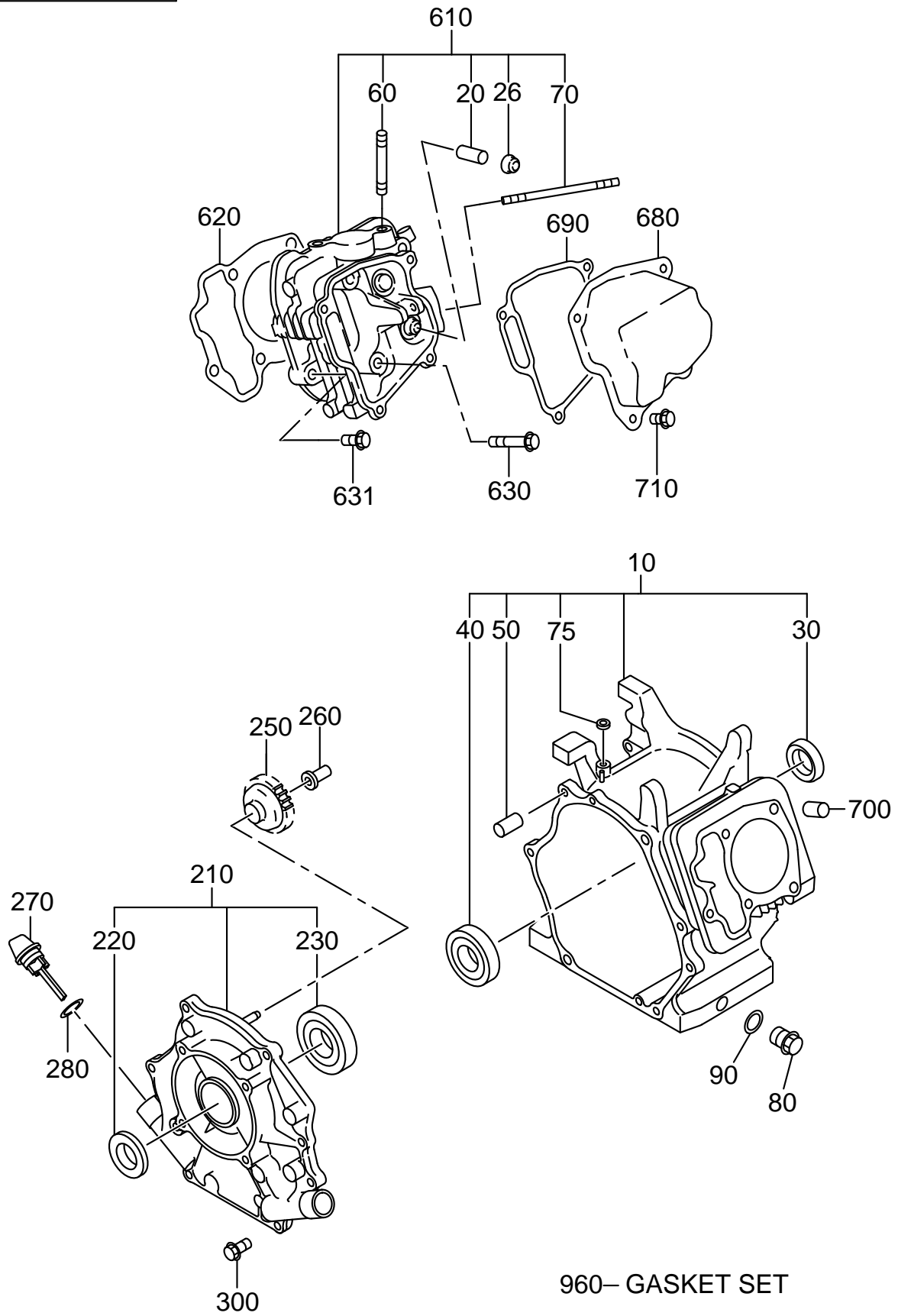
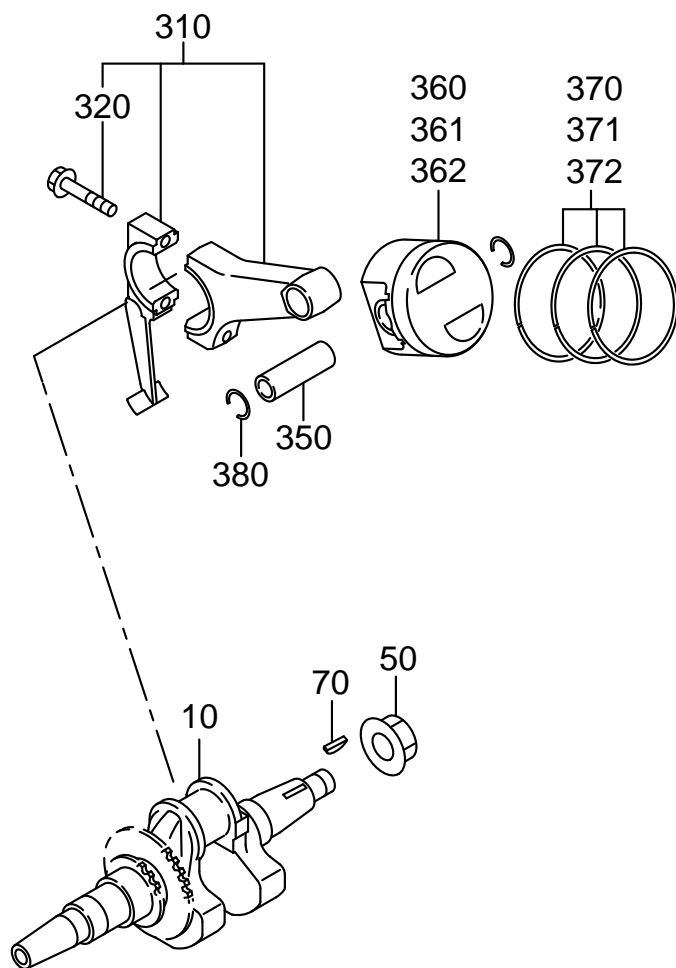


FIG. 100



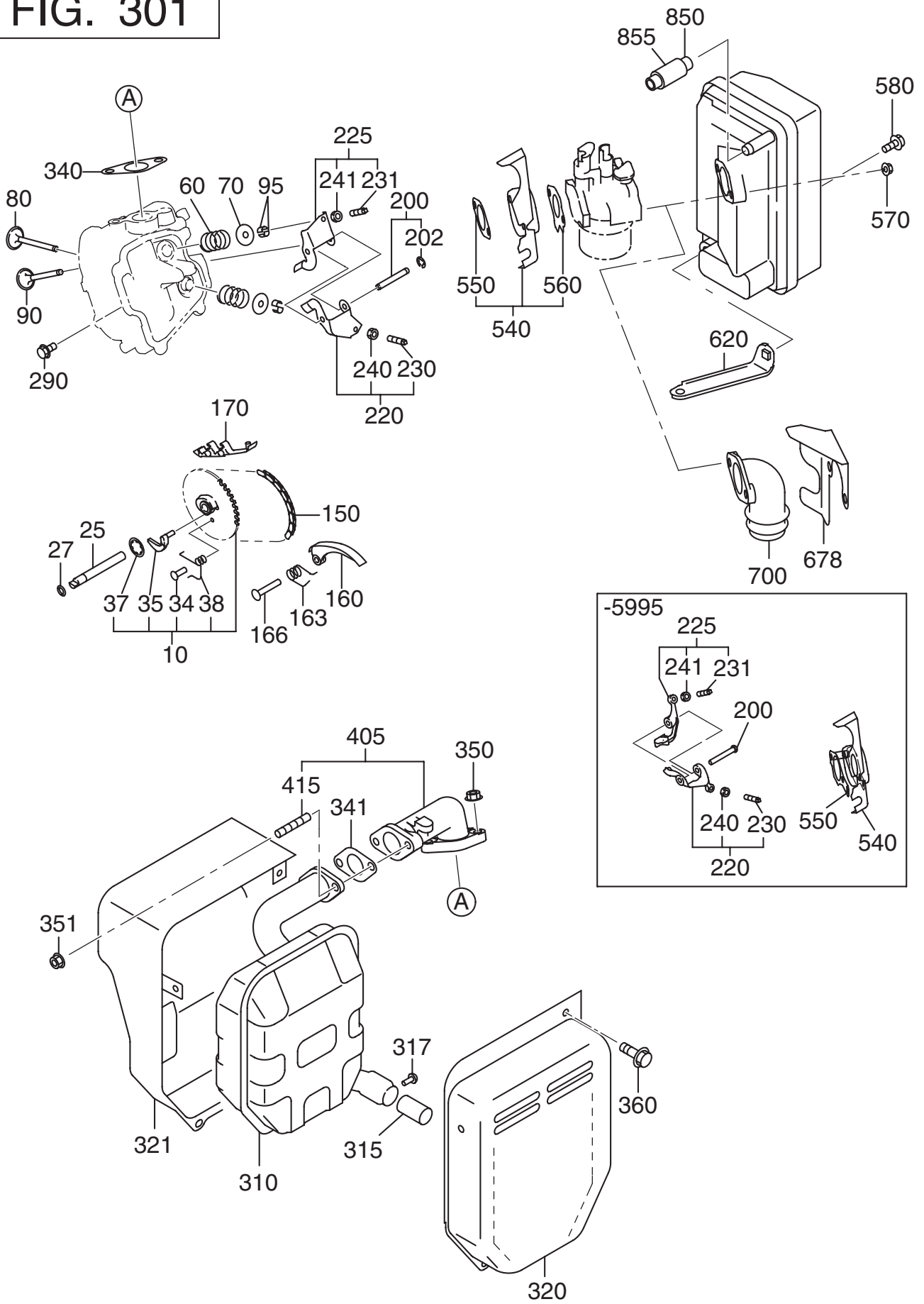
| REF. | PART NUMBER | PART NAME | QTY | R E M A R K S | CODE NO. | INTERCHANGE P/NO. |
|------|--------------|----------------------|-----|---------------------|----------|-------------------|
| 10 | 279-10102-91 | CRANK CASE CP | 1 | W/OIL SENSOR | 6951- | |
| | 279-10102-81 | CRANK CASE CP | 1 | W/OIL SENSOR | -6950 | 279-10102-91 |
| 20 | 237-14202-03 | VALVE GUIDE | 2 | 5.5DX9.5DX27L | - | |
| 26 | 277-16010-01 | STEM SEAL | 1 | 5.5DX9.5DX15DX7.8B | - | |
| 30 | 044-03001-60 | OIL SEAL | 1 | 30DX45DX7B | - | |
| 40 | 060-03003-41 | BALL BEARING | 1 | 30DX62DX16B | - | |
| 50 | 277-15011-03 | PIPE KNOCK | 2 | 10.3DX8.5DX14L | - | |
| 60 | 010-50802-90 | STUD | 2 | M8X1.25X30L | - | |
| 70 | 010-50604-10 | STUD | 2 | M6X1.0X107L | - | |
| 75 | 044-00600-20 | OIL SEAL | 1 | 6DX10DX2.5B | - | |
| 80 | 040-11400-30 | PLUG | 2 | M14X1.5X20DX12L | - | |
| 90 | 021-11400-20 | GASKET | 2 | 14.1DX19DX2.3T | - | |
| 210 | 279-11101-21 | MAIN BEARING COVER C | 1 | FLANGE 4-M8X1.25 | - | |
| 220 | 044-03001-60 | OIL SEAL | 1 | 30DX45DX7B | - | |
| 230 | 060-03003-70 | BALL BEARING | 1 | 30DX62DX16B | - | |
| 250 | 277-45004-J1 | GOVERNOR GEAR CP | 1 | 53DX29.1T N=33 | - | |
| 260 | 277-41901-03 | GOVERNOR SLEEVE | 1 | 6DX7.6DX16DX26L | - | |
| 270 | 279-63601-23 | OIL GAUGE | 2 | M22X1.5 L=67.5+18 | 7110- | |
| | 279-63601-13 | OIL GAUGE | 2 | M22X1.5 L=67.5+18 | -7109 | 279-63601-23 |
| 280 | 021-32000-50 | GASKET | 2 | 20DX27DX1.5T RUBBER | - | |
| 300 | 001-04083-50 | FLANGE BOLT | 7 | M8X1.25X16DX35L | - | |
| 610 | 279-13002-31 | CYLINDER HEAD CP | 1 | | - | |
| 620 | 279-15001-33 | GASKET (HEAD) | 1 | T=0.2 | - | |
| 630 | 011-00802-40 | FLANGE BOLT | 4 | M8X1.25X16DX68L | - | |
| 631 | 011-00803-10 | FLANGE BOLT | 1 | M8X1.25X16DX33L | - | |
| 680 | 277-15503-01 | ROCKER COVER CP | 1 | | - | |
| 690 | 277-16001-13 | GASKET(ROCKER COVER) | 1 | T=0.5 | - | |
| 700 | 277-15011-03 | PIPE KNOCK | 2 | 10.3DX8.5DX14L | - | |
| 710 | 011-00600-20 | FLANGE BOLT | 4 | M6X1.0X14DX12L | - | |
| 960 | 279-99001-27 | GASKET SET | 1 | | - | |

FIG. 200



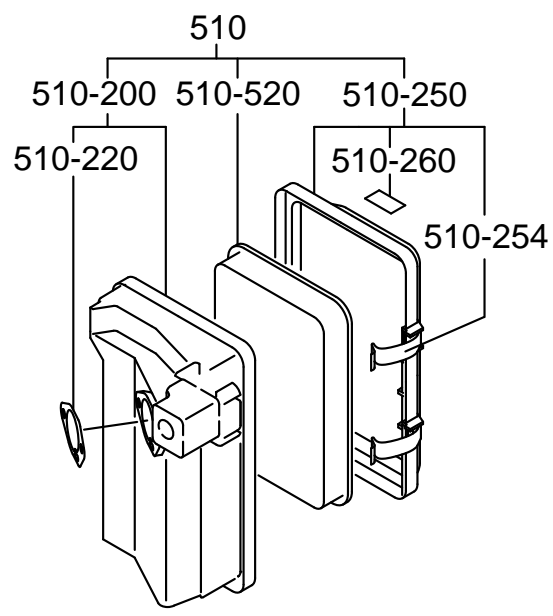
| REF. | PART NUMBER | PART NAME | QTY | R E M A R K S | CODE NO. | INTERCHANGE P/NO. |
|------|--------------|---------------------|-----|----------------------|----------|-------------------|
| 10 | 279-20701-41 | CRANKSHAFT CP | 1 | L=280 26DX1/10 TAPER | - | |
| 50 | 018-01800-10 | FLANGE NUT | 1 | M18X1.5X31DX14H | - | |
| 70 | 032-30300-10 | WOODRUFF KEY | 1 | 3BX6HX16D | - | |
| 310 | 279-22501-30 | CONNECTING ROD AY | 1 | 104.5CDX26B 34.5D-18 | 7275- | |
| | 279-22501-20 | CONNECTING ROD AY | 1 | 104.5CDX26B 34.5D-18 | -7274 | 279-22501-30 |
| 320 | 279-23001-03 | CONNECTING ROD BOLT | 2 | M7X1.0X13.8DX40L | - | |
| 350 | 279-23301-13 | PISTON PIN | 1 | 18DX13DX53L | - | |
| 360 | 279-23401-H3 | PISTON | 1 | STD (75DX43H) | - | |
| 361 | 279-23403-H3 | PISTON | 1 | 0.25 O.S.(75DX43H) | - | |
| 362 | 279-23404-H3 | PISTON | 1 | 0.50 O.S.(75DX43H) | - | |
| 370 | 279-23511-17 | PISTON RING SET | 1 | STD (75D) OIL EXPAND | - | |
| 371 | 279-23512-17 | PISTON RING SET | 1 | 0.25 O.S. OIL EXPAND | - | |
| 372 | 279-23513-17 | PISTON RING SET | 1 | 0.50 O.S. OIL EXPAND | - | |
| 380 | 056-51800-10 | CLIP | 2 | 18.9DX1.6D | - | |

FIG. 301



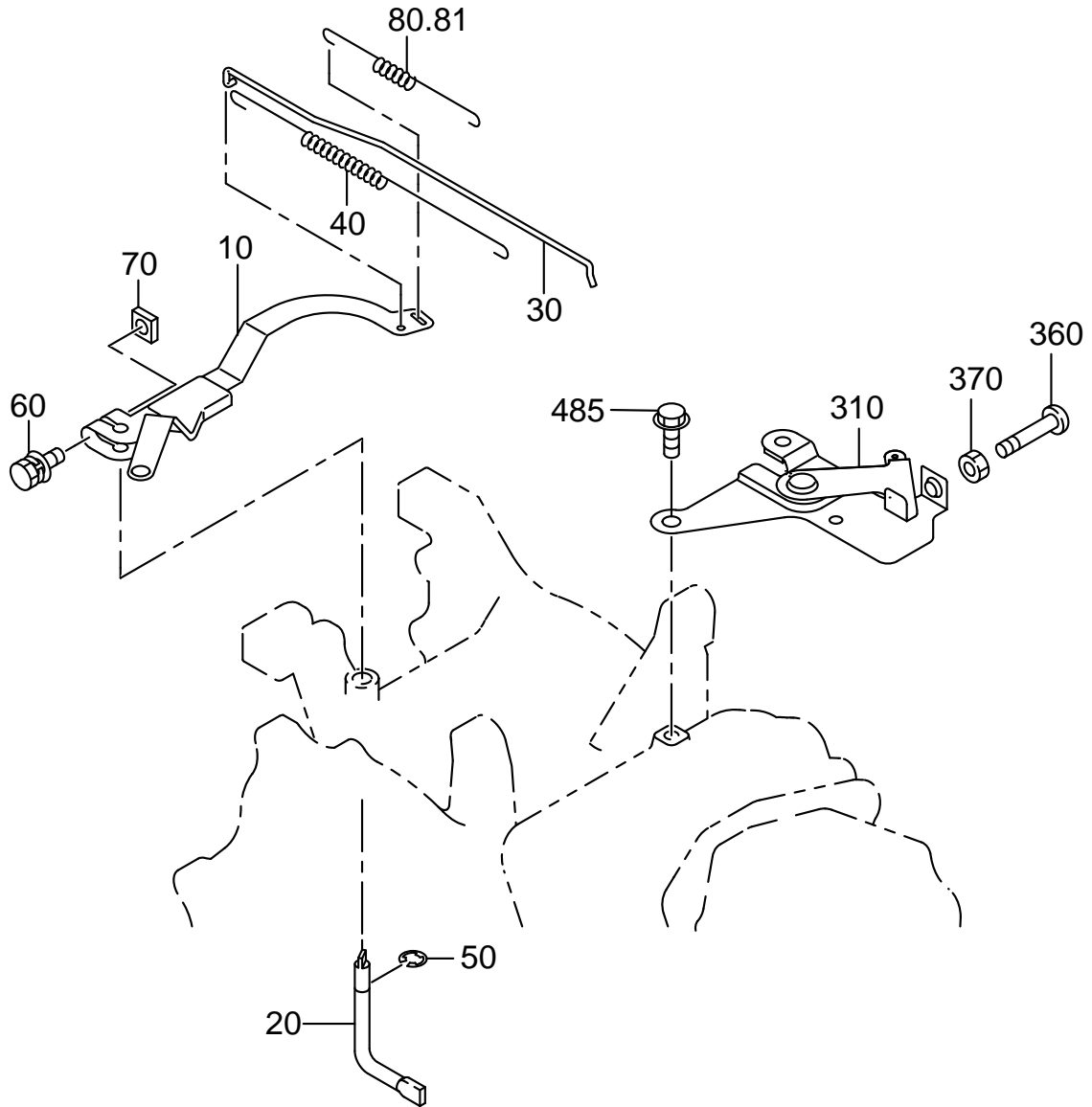
| REF. | PART NUMBER | PART NAME | QTY | R E M A R K S | CODE NO. | INTERCHANGE P/NO. |
|------|--------------|---------------------|-----|----------------------|----------|-------------------|
| 10 | 279-31602-11 | CAM SHAFT CP | 1 | 93DX2.9B N=44 | - | |
| 25 | 277-35101-03 | PIN(CAM SHAFT) | 1 | 9DX78.5L | - | |
| 27 | 024-00600-10 | O RING | 1 | 5.8DX9.6D | - | |
| 34 | 277-38601-03 | PIN(SPRING) | 1 | 4DX8DX9L | - | |
| 35 | 279-36401-03 | RELEASE LEVER | 1 | | - | |
| 37 | 277-36501-03 | CLIP | 1 | 13.8DX20.3DX0.4T | - | |
| 38 | 279-38701-13 | RETURN SPRING | 1 | 5.3DX0.6DX5.5L N=5.7 | - | |
| 60 | 279-33601-03 | VALVE SPRING | 2 | 19.2DX2.3DX27.4L | - | |
| 70 | 269-33701-03 | SPRING RETAINER | 2 | | - | |
| 80 | 279-33401-H3 | INTAKE VALVE | 1 | 28.5DX5.5DX67.8L | - | |
| 90 | 279-33501-H3 | EXHAUST VALVE | 1 | 26.5DX5.5DX67.8L | - | |
| 95 | 132-10KA0-31 | COLLET-VALVE | 4 | | - | |
| 150 | 279-35601-11 | TIMING CHAIN CP | 1 | 100 LINK | - | |
| 160 | 277-36911-03 | TENTIONER | 1 | | - | |
| 163 | 277-37101-03 | SPRING(TENTIONER) | 1 | 10DX1.8DX14L N=4.5 | - | |
| 166 | 277-36902-03 | PIN(TENTIONER) | 1 | 6DX13DX34L | - | |
| 170 | 277-36913-13 | CHAIN GUIDE | 1 | | - | |
| 200 | 277-35002-01 | PIN(ROCKER) CP | 1 | 6DX46L | - | |
| 202 | 003-13050-00 | CLIP | 1 | 5DX11DX0.6T | - | |
| 220 | 277-36201-00 | ROCKER ARM(IN) AY | 1 | | - | |
| 225 | 277-36202-00 | ROCKER ARM(EX) AY | 1 | | - | |
| 230 | 014-90500-20 | ADJUST SCREW | 1 | M5X0.5X23L | - | |
| 231 | 014-90500-20 | ADJUST SCREW | 1 | M5X0.5X23L | - | |
| 240 | 017-00500-30 | NUT | 1 | M5X0.5X4.1H | - | |
| 241 | 017-00500-30 | NUT | 1 | M5X0.5X4.1H | - | |
| 290 | 011-00600-20 | FLANGE BOLT | 1 | M6X1.0X14DX12L | - | |
| 310 | 279-30201-11 | MUFFLER CP | 1 | GENERATOR | - | |
| 320 | 279-34501-11 | MUFFLER COVER(1) CP | 1 | | - | |
| 321 | 279-34601-11 | MUFFLER COVER(2) CP | 1 | | - | |
| 340 | 277-35201-13 | GASKET(MUFFLER) | 1 | T=0.2 26D 9DX58P | - | |
| 341 | 277-35201-01 | GASKET CP(EXHAUST) | 1 | T=1.6 28D 8.5DX52P | - | |
| 350 | 980-20082-80 | FLANGE NUT | 2 | M8X1.25X17DX7.5H | - | |
| 351 | 980-20082-80 | FLANGE NUT | 2 | M8X1.25X17DX7.5H | - | |
| 405 | 277-34001-01 | EXHAUST PIPE CP | 1 | | - | |
| 415 | 010-50802-90 | STUD | 2 | M8X1.25X30L | - | |
| 540 | 279-32902-J1 | INSULATOR CP | 1 | W/GASKET | - | |
| 550 | 279-35903-J3 | GASKET2(INSULATOR) | 1 | T=0.5 | - | |
| 560 | 279-35902-J3 | GASKET1(INSULATOR) | 1 | T=0.5 | - | |
| 570 | 002-38060-00 | FLANGE NUT | 2 | M6X1.0X13DX6H | - | |
| 580 | 011-00600-50 | FLANGE BOLT | 1 | M6X1.0X13DX20L | - | |
| 620 | 279-39001-01 | BRACKET(A/C) CP | 1 | | - | |
| 850 | 279-32760-08 | RUBBER PIPE | 1 | 8DX11DX115L | - | 085-10800-00 |

FIG. 317



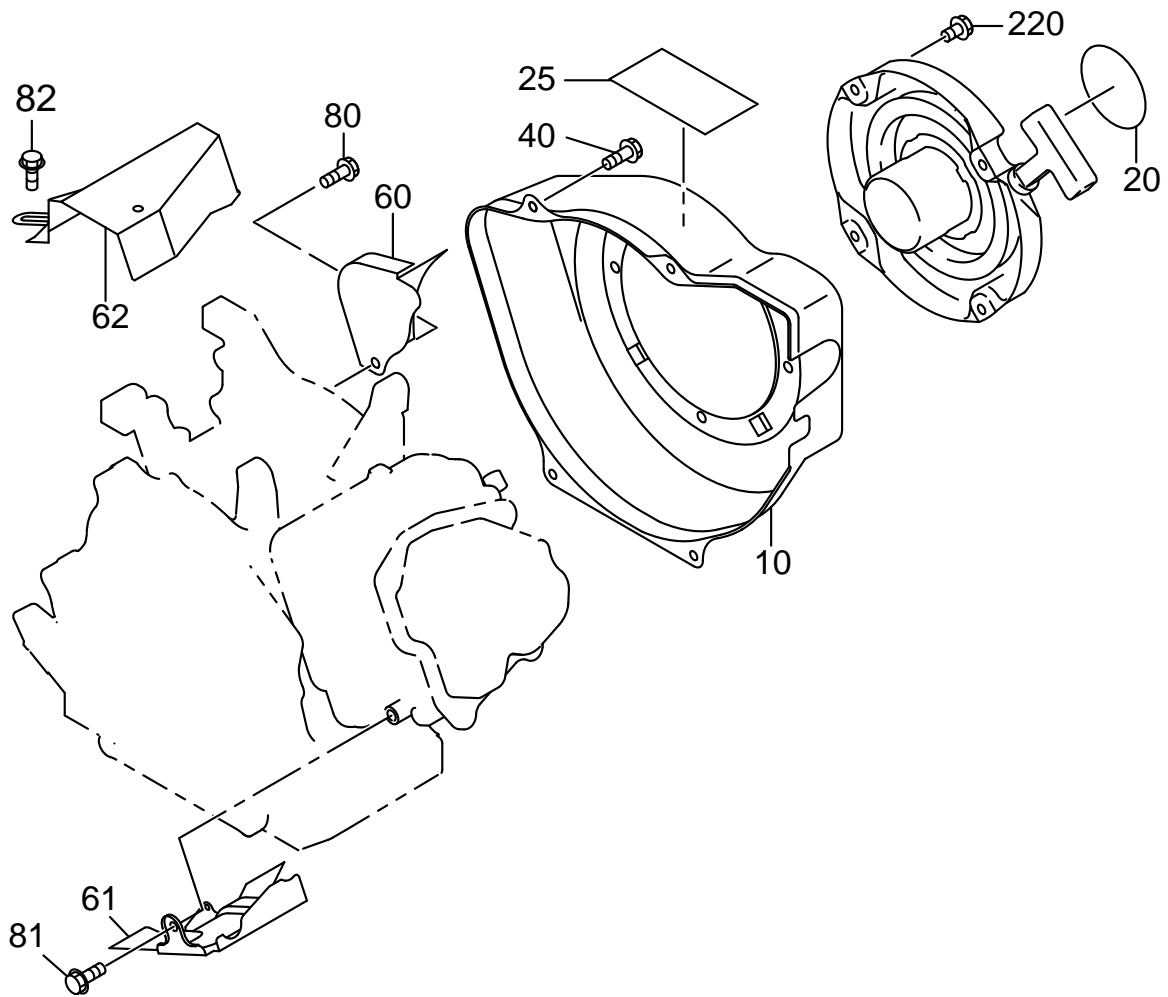
| REF. | PART NUMBER | PART NAME | QTY | R E M A R K S | CODE NO. | INTERCHANGE P/NO. |
|------|--------------|-------------------|-----|-----------------|----------|-------------------|
| 510 | 279-32622-10 | AIR CLEANER AY | 1 | GENERATOR | 7086- | |
| | 279-32622-00 | AIR CLEANER AY | 1 | GENERATOR | -7085 | 279-32622-10 |
| -200 | 279-32635-18 | CLEANER BODY COMP | 1 | | 7086- | |
| | 279-32635-08 | CLEANER BODY COMP | 1 | | -7085 | |
| -220 | 279-32650-18 | GASKET | 1 | | 7086- | |
| | 279-32650-08 | GASKET | 1 | | -7085 | 279-32650-18 |
| -250 | 279-32646-08 | COVER COMP | 1 | | - | |
| -254 | 279-32683-08 | CLIP 4 | 2 | SK5 GEOMET+PLUS | - | |
| -260 | 073-20044-30 | LABEL(CHOKE) | 1 | 14X28 ILLUST | - | |
| -520 | 279-32612-08 | ELEMENT | 1 | GENERATOR | - | |

FIG. 400



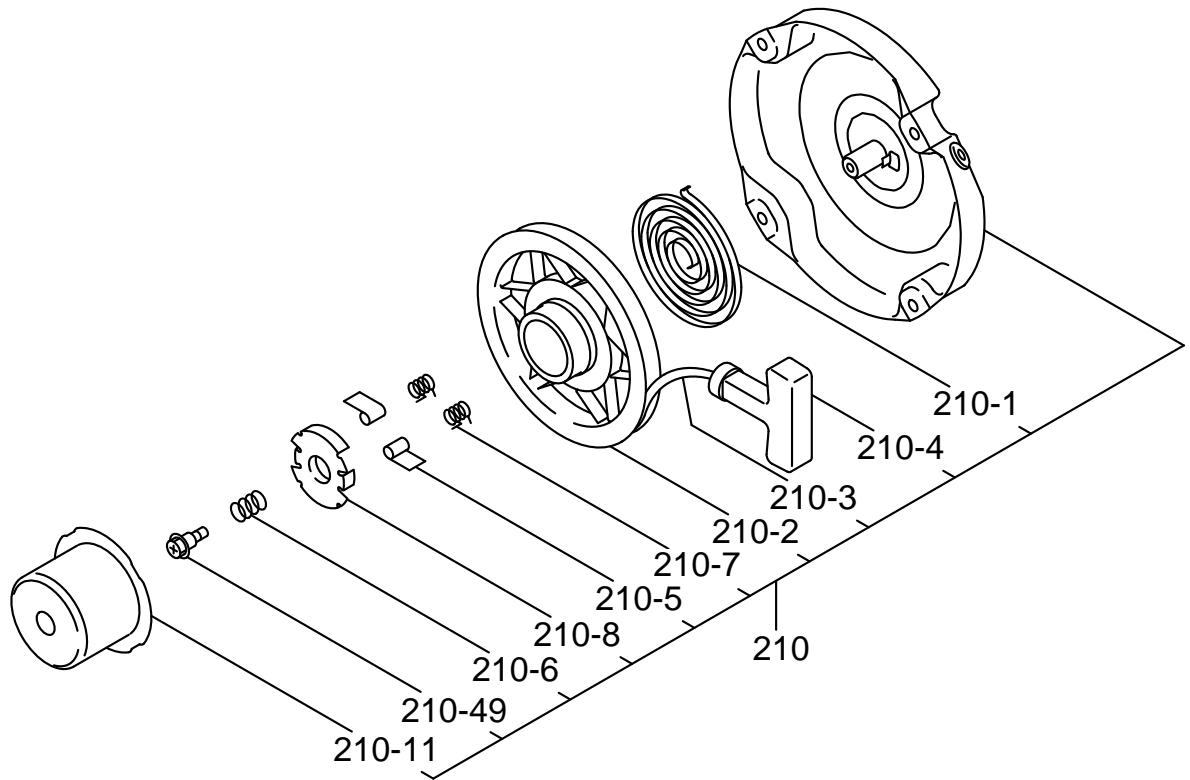
| REF. | PART NUMBER | PART NAME | QTY | R E M A R K S | CODE NO. | INTERCHANGE P/NO. |
|------|--------------|--------------------|-----|---------------------|-----------|-------------------|
| 10 | 279-42301-63 | GOVERNOR LEVER | 1 | | 7245- | |
| | 279-42301-53 | GOVERNOR LEVER | 1 | | 6998-7244 | 279-42301-63 |
| | 279-42301-43 | GOVERNOR LEVER | 1 | | -6997 | 279-42301-53 |
| 20 | 277-42201-33 | GOVERNOR SHAFT | 1 | | - | |
| 30 | 279-42701-11 | GOVERNOR ROD CP | 1 | | - | |
| 40 | 277-42801-23 | ROD SPRING | 1 | 7DX0.5DX182L N=16 | - | |
| 50 | 003-13050-00 | CLIP | 1 | 5DX11DX0.6T | - | |
| 60 | 013-00602-40 | BOLT AND WASHER AY | 1 | M6X1.0X25L W/TWO W | - | |
| 70 | 018-60600-20 | NUT | 1 | M6X1.0X4.9H SQUARE | - | |
| 80 | 279-42502-63 | GOVERNOR SPRING | 1 | 7.5DX0.7DX115L N=19 | - | |
| 81 | 279-42505-33 | GOVERNOR SPRING | 1 | 7.5DX0.7DX115L N=25 | - | |
| 310 | 277-46501-11 | SPEED CONTROL CP | 1 | | - | |
| 360 | 004-31064-00 | SCREW | 1 | M6X1.0X40L | - | |
| 370 | 002-17060-00 | NUT | 1 | M6X1.0X5H | - | |
| 485 | 011-00600-20 | FLANGE BOLT | 2 | M6X1.0X14DX12L | - | |

FIG. 500



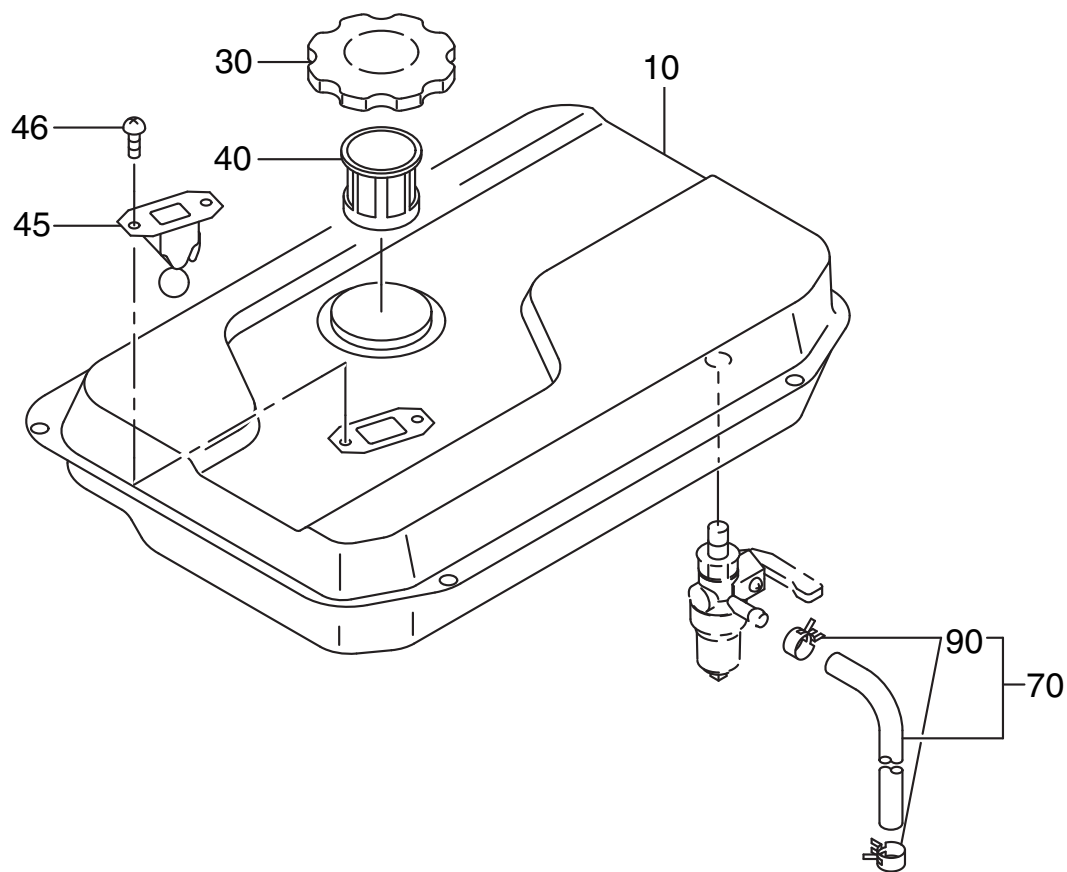
| REF. | PART NUMBER | PART NAME | QTY | R E M A R K S | CODE NO. | INTERCHANGE P/NO. |
|------|--------------|-------------------|-----|----------------|----------|-------------------|
| 10 | 279-51226-01 | BLOWER HOUSING CP | 1 | CANARY YELLOW | - | |
| 20 | 073-20054-70 | LABEL(TRADE MARK) | 1 | 60D | - | |
| 25 | 073-20051-81 | LABEL(WARNING) | 1 | 42X104 ENGLISH | - | |
| 40 | 011-00600-30 | FLANGE BOLT | 4 | M6X1.0X14DX14L | - | |
| 60 | 279-52711-11 | BAFFLE 1(CASE) CP | 1 | | - | |
| 61 | 279-52702-13 | BAFFLE 2(HEAD) | 1 | | - | |
| 62 | 277-55001-21 | DUCT (CASE) CP | 1 | | 7031- | |
| | 277-55001-11 | DUCT (CASE) CP | 1 | | -7030 | 277-55001-21 |
| 80 | 001-65081-20 | BOLT | 1 | M8X1.25X12L | - | |
| 81 | 011-00600-20 | FLANGE BOLT | 1 | M6X1.0X14DX12L | - | |
| 82 | 011-00600-20 | FLANGE BOLT | 3 | M6X1.0X14DX12L | - | |
| 220 | 011-00600-10 | FLANGE BOLT | 4 | M6X1.0X14DX8L | - | |

FIG. 520



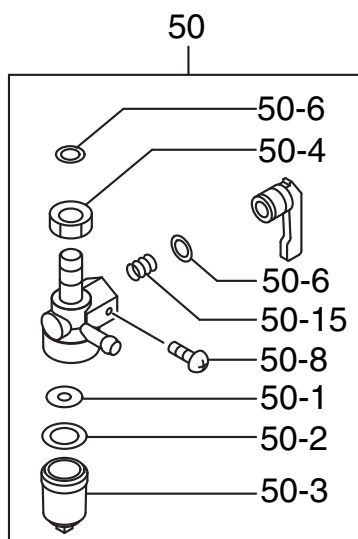
| REF. | PART NUMBER | PART NAME | QTY | R E M A R K S | CODE NO. | INTERCHANGE P/NO. |
|------|--------------|-------------------|-----|---------------|----------|-------------------|
| 210 | 279-50202-00 | RECOIL STARTER AY | 1 | 170PD | - | |
| - 1 | 226-50716-08 | SPIRAL SPRING | 1 | | - | |
| - 2 | 279-50120-08 | REEL | 1 | | - | |
| - 3 | 279-50110-08 | STARTER ROPE | 1 | | - | |
| - 4 | 226-50701-08 | STARTER KNOB | 1 | | - | |
| - 5 | 279-50125-08 | RACHET | 2 | | - | |
| - 6 | 226-50731-08 | FRICTION SPRING | 1 | | - | |
| - 7 | 226-50752-08 | RATCHET SPRING | 2 | | - | |
| - 8 | 226-50741-08 | FRICTION PLATE | 1 | | - | |
| - 11 | 279-50145-08 | STARTER PULLEY | 1 | | - | |
| - 49 | 226-50753-18 | CENTER SCREW | 1 | | - | |

FIG. 600



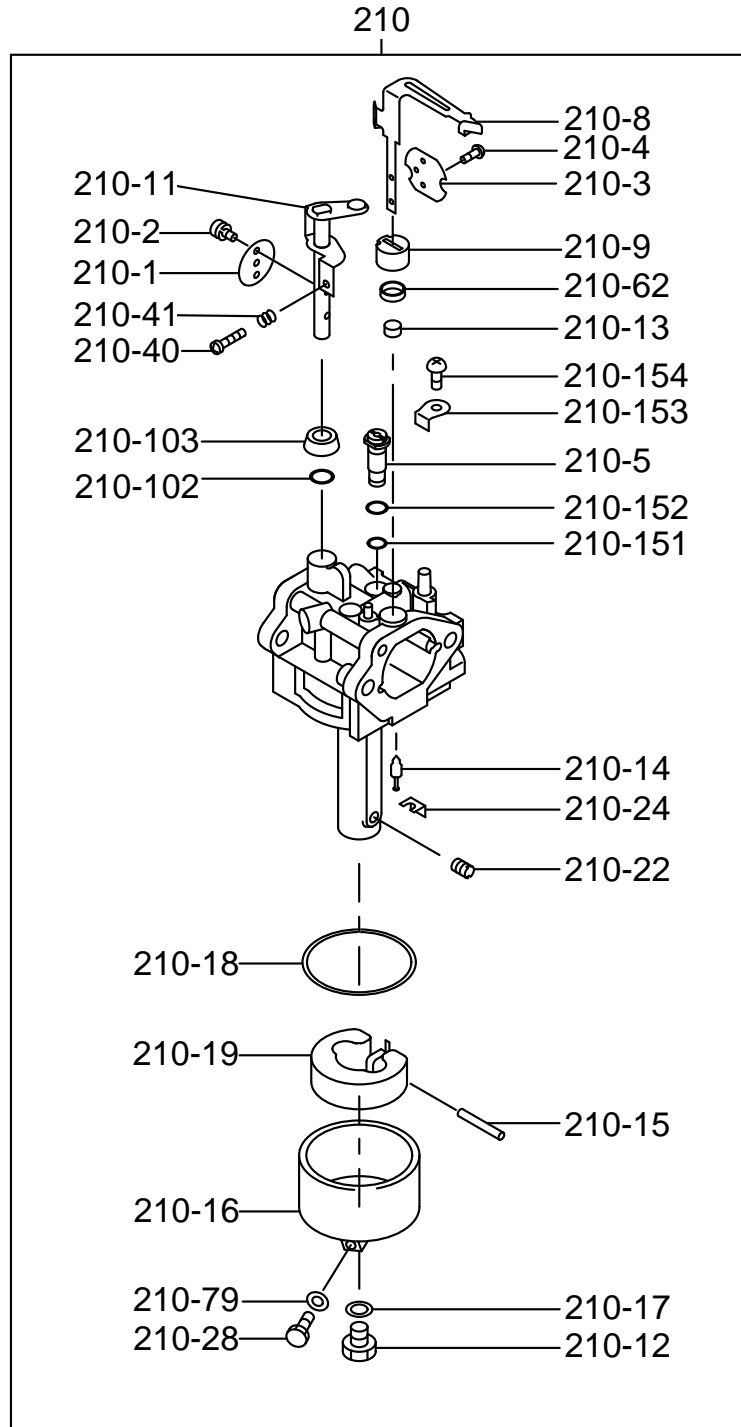
| REF. | PART NUMBER | PART NAME | QTY | R E M A R K S | CODE NO. | INTERCHANGE P/NO. |
|------|--------------|---------------------|-----|----------------------|----------|-------------------|
| 10 | 270-61718-01 | FUEL TANK CP | 1 | 16L W/GAG CANARY YEL | - | |
| 30 | 043-05900-11 | FUEL TANK CAP AY | 1 | 59DX102DX15H | - | |
| 40 | 064-15400-11 | FUEL FILTER | 1 | 54DX58DX48H | - | |
| 45 | 064-80018-00 | FUEL GAUGE CP | 1 | | - | |
| 46 | 014-50500-40 | SCREW(COUNTER HEAD) | 2 | M5X0.8X10L | - | |
| 70 | 267-62605-11 | FUEL PIPE CP | 1 | | - | |
| 90 | X56-11100-60 | HOSE CLAMP | 2 | 11.5DX8BX0.7T | - | |

FIG. 630



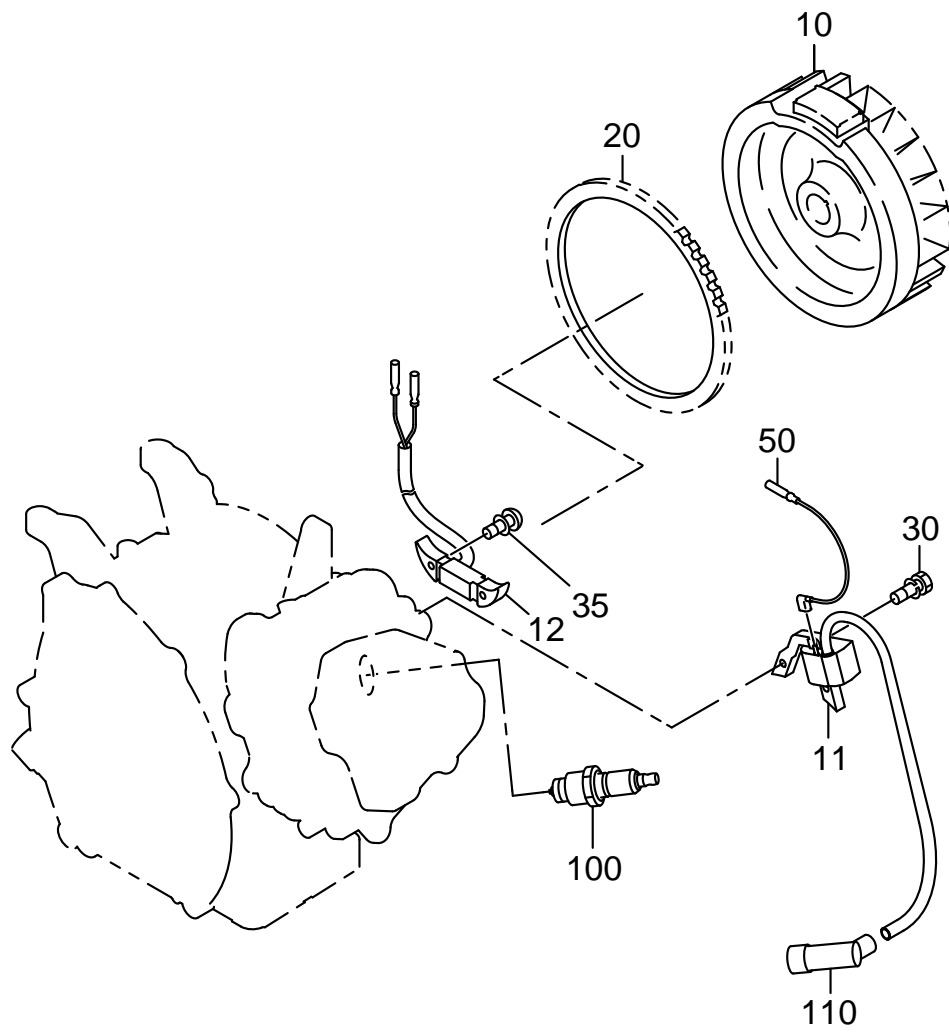
| REF. | PART NUMBER | PART NAME | QTY | R E M A R K S | CODE NO. | INTERCHANGE P/NO. |
|------|--------------|------------------|-----|---------------|----------|-------------------|
| 50 | 064-20100-01 | FUEL STRAINER AY | 1 | | - | |
| - 1 | 064-20041-10 | FILTER | 1 | | - | |
| - 2 | 064-20014-30 | RUBBER PACKING | 1 | | - | |
| - 3 | 064-20014-10 | CUP | 1 | | - | |
| - 4 | 064-20100-30 | LOCK NUT | 1 | | - | |
| - 6 | 064-20003-30 | O-RING | 2 | | - | |
| - 8 | 064-20027-90 | BOLT | 1 | | - | |
| - 15 | 064-20032-30 | SPRING | 1 | | - | |

FIG. 640



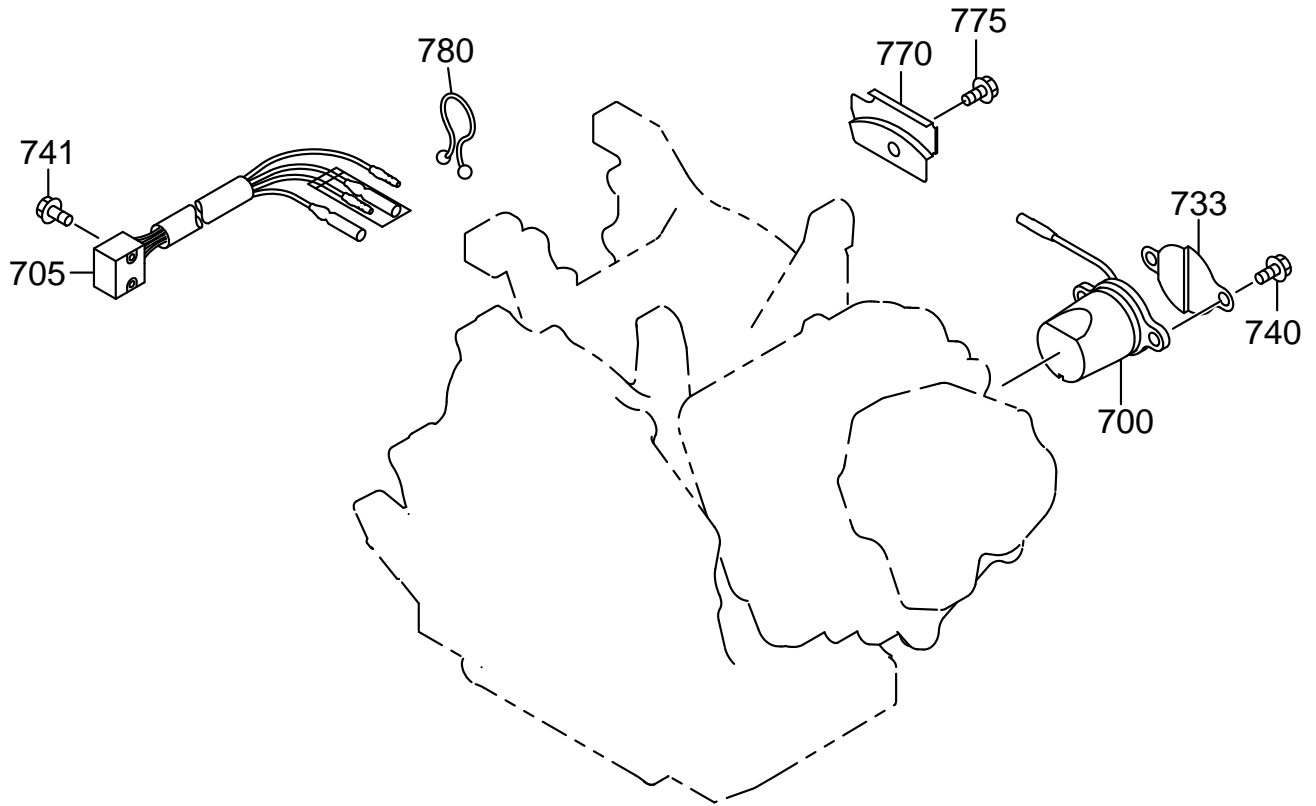
| REF. | PART NUMBER | PART NAME | QTY | R E M A R K S | CODE NO. | INTERCHANGE P/NO. |
|------|--------------|----------------------|-----|---------------|----------|-------------------|
| 210 | 279-62364-00 | CARBURETOR AY | 1 | | 7153- | |
| | 279-62304-40 | CARBURETOR AY | 1 | | -7152 | 279-62364-00 |
| - 1 | 279-62536-08 | THROTTLE VALVE | 1 | | 7153- | |
| | 279-62535-08 | VALVE,THROTTLE | 1 | | -7152 | |
| - 2 | 209-62351-08 | SCREW | 1 | | 7153- | |
| | 251-62450-08 | SCREW | 4 | | -7152 | |
| - 3 | 279-62528-08 | CHOKE VALVE | 1 | | 7153- | |
| | 279-62526-08 | VALVE,CHOKE | 1 | | -7152 | |
| - 4 | 237-62451-08 | SCREW | 2 | | 7153- | |
| - 5 | 279-62422-08 | PILOT JET | 1 | #38.8 | 7153- | |
| | 279-62420-08 | JET,SLOW | 1 | #40 | -7152 | |
| - 8 | 279-62523-08 | CHOKE LEVER | 1 | | 7153- | |
| | 279-62570-18 | LEVER CHOKE | 1 | | -7152 | |
| - 9 | 279-62554-08 | RING | 1 | | 7153- | |
| | 279-62563-18 | COLLER,SHAFT1 | 1 | | -7152 | |
| - 11 | 279-62533-08 | THROTTLE SHAFT-A | 1 | | 7153- | |
| | 279-62530-08 | SHAFT SUB ASSY(TH) | 1 | | -7152 | |
| - 12 | 150-62358-08 | BOLT | 1 | | 7153- | |
| | 251-62453-08 | SCREW | 1 | | -7152 | |
| - 13 | 277-62571-08 | RING | 1 | | 7153- | |
| | 279-62564-08 | COLLAR,SHAFT2 | 1 | | -7152 | |
| - 14 | 224-62305-08 | NEEDLE VALVE | 1 | | 7153- | |
| | 279-62500-08 | VALVE ASSY,NEEDLE | 1 | | -7152 | |
| - 15 | 214-62515-08 | PIN | 1 | | 7153- | |
| | 279-62515-08 | PIN,FLOAT LEVER | 1 | | -7152 | |
| - 16 | 279-62506-08 | FLOAT BODY-A | 1 | | 7153- | |
| | 285-62550-08 | FLOAT CHAMBER SUB AY | 1 | | -7152 | |
| - 17 | 207-62345-08 | INSERT WASHER | 1 | | 7153- | |
| | 251-62350-08 | GASKET | 1 | | -7152 | |
| - 18 | 206-62540-08 | PACKING | 1 | | 7153- | |
| | 279-62540-08 | GASKET,CHAMBER | 1 | | -7152 | |
| - 19 | 234-62506-08 | FLOT-A | 1 | | 7153- | |
| | 279-62505-08 | FLOAT SUB ASSY | 1 | | -7152 | |
| - 22 | 279-62408-08 | MAIN JET | 1 | #92.5 | 7153- | |
| | 279-62400-08 | JET,MAIN | 1 | #98 | -7152 | |
| - 24 | 226-62701-18 | CLIP | 1 | | 7153- | |
| - 28 | 279-62361-08 | BOLT | 1 | | 7153- | |
| | 285-62551-08 | DRAIN SCREW | 1 | | -7152 | |
| - 40 | 106-62556-08 | SCREW | 1 | | 7153- | |
| | 279-62353-18 | SCREW,ADJUSTING | 1 | | -7152 | |
| - 41 | 283-62357-08 | SPRING | 1 | | 7153- | |
| | 279-62445-08 | SPRING | 1 | | -7152 | |
| - 62 | 236-62680-08 | SEAL | 1 | | 7153- | |
| - 79 | 279-62541-08 | WASHER | 1 | | 7153- | |
| | 285-62552-08 | GASKET | 1 | | -7152 | |
| -102 | 246-62390-08 | SEAL | 1 | | 7153- | |
| | 279-62561-08 | BUSH | 1 | | -7152 | |
| -103 | 279-62551-08 | RING | 1 | | 7153- | |
| | 279-62562-08 | COLLAR | 1 | | -7152 | |
| -151 | 106-62384-08 | O-RING | 1 | | 7153- | |
| | 279-62451-08 | O-RING | 1 | | -7152 | |
| -152 | 279-62452-08 | O-RING | 1 | | -7152 | |
| -153 | 279-62360-08 | PLATE | 1 | | 7153- | |
| -154 | 279-62351-08 | SCREW | 1 | | 7153- | |

FIG. 700



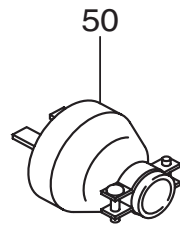
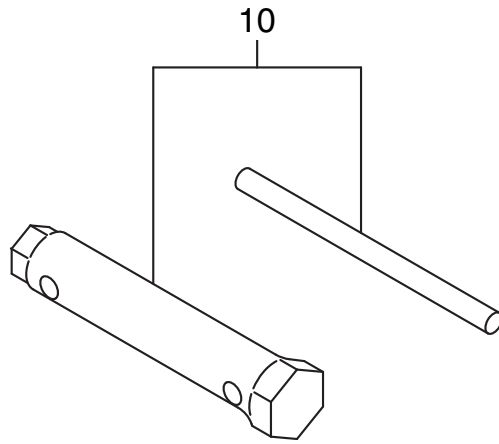
| REF. | PART NUMBER | PART NAME | QTY | R E M A R K S | CODE NO. | INTERCHANGE P/NO. |
|------|--------------|--------------------|-----|-------------------|----------|-------------------|
| 10 | 279-79230-11 | FLYWHEEL CP | 1 | MARK FA AP02 | - | |
| 11 | 279-79430-01 | IGNITION COIL CP | 1 | MARK AB | - | |
| 30 | 001-14062-50 | BOLT AND WASHER AY | 2 | M6X1.0X25L W/W,SW | - | |
| 50 | 277-73102-H1 | WIRE 2 CP | 1 | L=360 BLACK | - | |
| 100 | 065-01401-50 | SPARK PLUG | 1 | NGK BR6HS | - | |
| 110 | 065-50002-70 | SPARK PLUG CAP | 1 | | - | |

FIG. 770



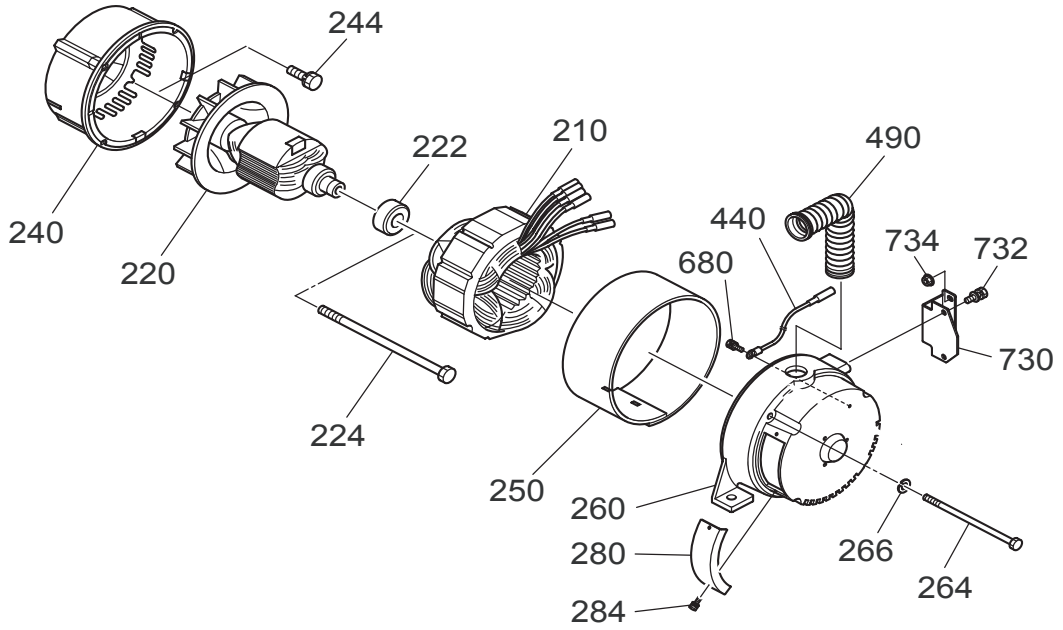
| REF. | PART NUMBER | PART NAME | QTY | R E M A R K S | CODE NO. | INTERCHANGE P/NO. |
|------|--------------|--------------------|-----|-------------------|----------|-------------------|
| 700 | 279-76301-51 | OIL SENSOR CP | 1 | | 7579- | |
| | 279-76301-41 | OIL SENSOR CP | 1 | | -7578 | 279-76301-51 |
| 705 | KU3-11070-01 | FLOAT C/U CP4 | 1 | | - | |
| 740 | 001-14061-60 | BOLT AND WASHER AY | 2 | M6X1.0X16L W/W,SW | - | |
| 741 | 015-00400-90 | TAPPING SCREW | 2 | M4X12L | - | |
| 770 | 279-75501-13 | WIRE CLAMP | 1 | | - | |
| 775 | 015-20600-50 | TAPPING BOLT | 1 | M6X13DX10L | - | |
| 780 | 056-90000-20 | PURSE LOCK | 1 | | - | |

FIG. 900



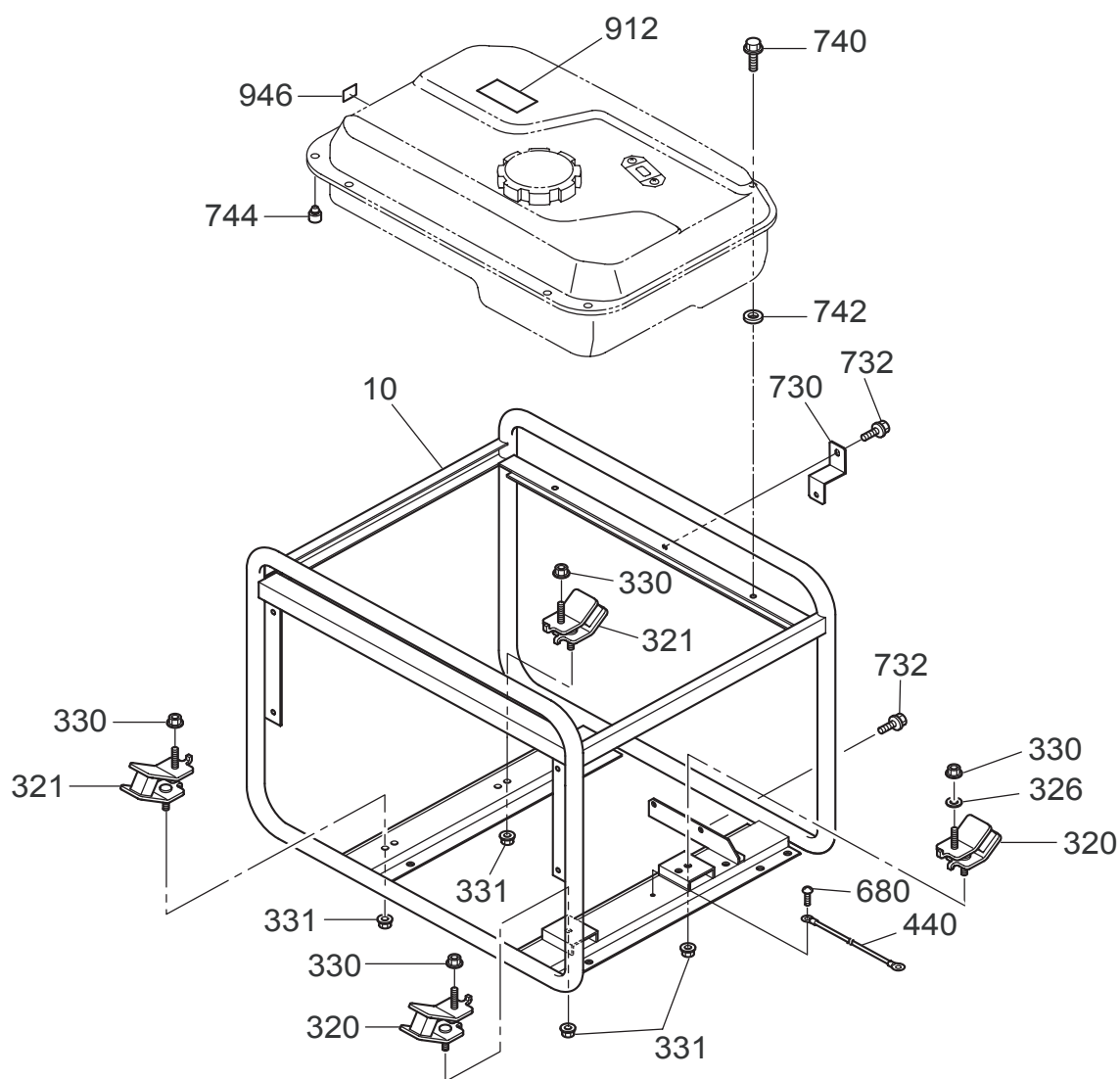
| REF. | PART NUMBER | PART NAME | QTY | R E M A R K S | CODE NO. | INTERCHANGE P/NO. |
|------|--------------|--------------------|-----|---------------|----------|-------------------|
| 10 | 277-90301-H0 | ACCESSORY TOOL KIT | 1 | | - | |
| 50 | 358-95002-03 | PLUG | 2 | | - | |
| | 391-95001-03 | PLUG | 1 | | - | |

FIG. 2200



| REF. | PART NUMBER | PART NAME | QTY | R E M A R K S | CODE NO. | INTERCHANGE P/NO. |
|------|--------------|-------------------|-----|------------------|----------|-------------------|
| 210 | 35C-51004-01 | STATOR CP | 1 | | - | |
| 220 | 35C-51001-01 | ROTOR CP | 1 | | - | |
| 222 | 35C-55001-01 | BEARING | 1 | | - | |
| 224 | 35C-54001-01 | THROUGH BOLT | 1 | | - | |
| 240 | 35C-52001-01 | FRONT COVER | 1 | | - | |
| 244 | 359-59935-08 | BOLT & WASHER AY | 4 | | - | |
| 250 | 35C-55012-01 | STATOR COVER | 1 | | - | |
| 260 | 35C-52002-01 | REAR COVER | 1 | | - | |
| 264 | 35C-54002-01 | COVER BOLT | 4 | | - | |
| 266 | 003-20080-00 | SPRING WASHER | 4 | 8.2DX15.4DX2T | - | |
| 280 | 354-54513-08 | BRUSH COVER | 1 | | - | |
| 284 | 30A-71202-03 | SCREW & WASHER AY | 2 | | - | |
| 440 | 35C-53002-01 | WIRE CP | 1 | | - | |
| 490 | 353-57506-18 | BUSHING | 1 | | - | |
| 680 | 392-49986-08 | SCREW | 1 | M4X6L | - | |
| 730 | 35C-63001-01 | MUFFLER BRACKET | 1 | | - | |
| 732 | 359-59935-08 | BOLT & WASHER AY | 2 | | - | |
| 734 | 002-38080-00 | FLANGE NUT | 2 | M8X1.25X17DX7.5H | - | |

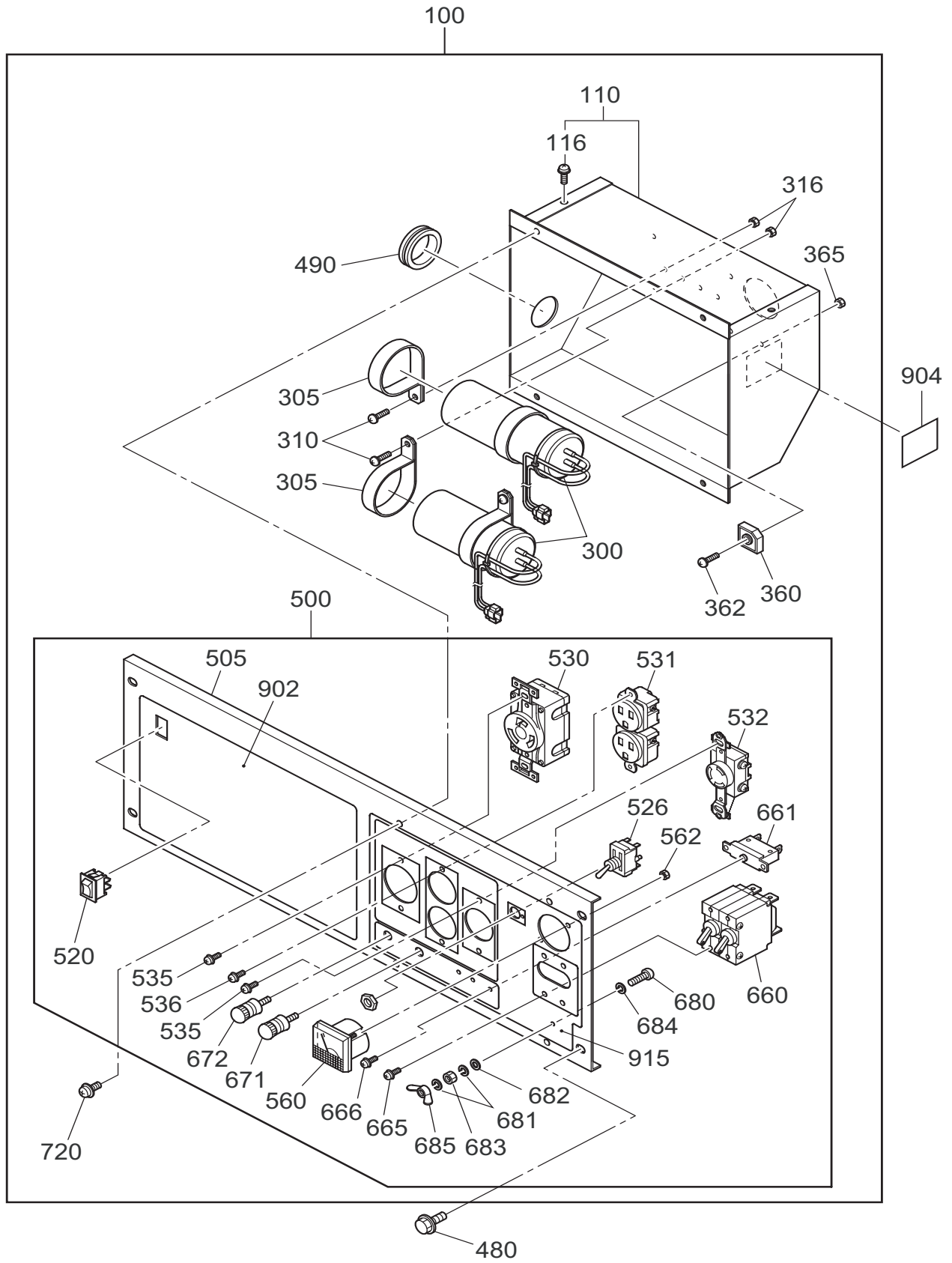
FIG. 2300



| REF. | PART NUMBER | PART NAME | QTY | R E M A R K S | CODE NO. | INTERCHANGE P/NO. |
|------|--------------|--------------------|-----|------------------|----------|-------------------|
| 10 | 35C-61001-01 | PIPE FRAME CP | 1 | | - | |
| 320 | 35C-62001-01 | RUBBER MOUNT UN | 2 | | - | |
| 321 | 35C-62002-01 | RUBBER MOUNT UN | 2 | | - | |
| 326 | 003-10100-00 | WASHER | 1 | 10.5DX18DX1.6T | - | |
| 330 | 002-38100-00 | FLANGE NUT | 4 | M10X1.25X19DX9H | - | |
| 331 | 002-38080-00 | FLANGE NUT | 4 | M8X1.25X17DX7.5H | - | |
| 440 | 35C-64001-01 | EARTH CORD | 1 | | - | |
| 680 | 392-49987-08 | SCREW & WASHER AY | 1 | | - | |
| 730 | 35C-63003-01 | BRACKET,MUFF.COVER | 1 | | - | |
| 732 | 35A-64001-01 | FLANGE BOLT | 6 | | - | |
| 740 | 011-00602-20 | FLANGE BOLT | 2 | | - | |
| 742 | 391-39000-13 | RUBBER WASHER | 2 | | - | |
| 744 | 35C-62003-01 | RUBBER MOUNT | 2 | | - | |
| 912 | 388-93003-03 | LABEL(CAUTION) | 1 | | - | |
| 946 | 073-20050-80 | LABEL(F.STRAINER) | 1 | 25X35 | - | |

FIG. 2400

60Hz-120V/240V



| REF. | PART NUMBER | PART NAME | QTY | R E M A R K S | CODE NO. | INTERCHANGE P/NO. |
|------|--------------|--------------------|-----|----------------|----------|-------------------|
| 100 | 35C-70103-00 | CONTROL BOX AY | 1 | | - | |
| 110 | 35C-71101-02 | CONTROL BOX UN | 1 | | - | |
| 116 | 359-59929-08 | SCREW & WASHER AY | 4 | | - | |
| 300 | 35C-72001-03 | CONDENSER CP | 1 | | - | |
| 305 | 30G-47605-08 | CONDENSER HOLDER | 4 | | - | |
| 310 | 390-49972-08 | SCREW | 4 | | - | |
| 360 | 353-45804-08 | DIODE STACK AY | 1 | | - | |
| 362 | 004-36042-00 | SCREW AND WASHER | 1 | | - | |
| 365 | 002-17040-00 | NUT | 1 | | - | |
| 480 | 35C-72014-03 | FLANGE BOLT | 4 | M6X1.0X14DX12L | - | |
| 490 | 389-89001-03 | GROMMET | 1 | | - | |
| 500 | 35C-70203-00 | PANEL A AY | 1 | | - | |
| 505 | 35C-71002-02 | LABEL(PANEL) | 1 | | - | |
| 520 | 35A-72002-03 | ROCKER SWITCH | 1 | | - | |
| 526 | 353-45612-08 | SWITCH AY | 1 | | - | |
| 530 | 353-45703-08 | AC RECEPTACLE | 1 | 250V/30A | - | |
| 531 | 343-11362-18 | AC RECEPTACLE | 1 | AC125V 15AX2 | - | |
| 532 | 353-45720-08 | AC RECEPTACLE | 1 | | - | |
| 535 | 31C-79001-03 | SCREW & WASHER AY | 4 | | - | |
| 536 | 31C-79001-03 | SCREW & WASHER AY | 2 | | - | |
| 560 | 391-47802-01 | AC VOLT METER | 1 | 100V CLASS | - | |
| 562 | 388-49801-08 | NUT | 2 | | - | |
| 660 | 35C-72002-03 | BREAKER | 1 | 18A | - | |
| 661 | 352-45620-08 | CIRCUIT PROTECTOR | 1 | | - | |
| 665 | 31B-79011-03 | SCREW & WASHER AY | 4 | | - | |
| 666 | 351-49921-08 | SCREW & WASHER AY | 2 | | - | |
| 671 | 363-45701-08 | TERMINAL BOLT | 1 | RED 20A | - | |
| 672 | 363-45700-08 | TERMINAL BOLT | 1 | BLACK 20A | - | |
| 680 | 356-49956-08 | SCREW | 1 | | - | |
| 681 | 332-00050-08 | SPRING WASHER | 2 | | - | |
| 682 | 353-49903-08 | WASHER | 1 | | - | |
| 683 | 353-49902-08 | NUT | 1 | | - | |
| 684 | 372-59950-08 | LOCK WASHER | 1 | | - | |
| 685 | 353-49901-08 | WING NUT | 1 | | - | |
| 720 | 31B-79012-03 | BOLT AND WASHER AY | 4 | | - | |
| 902 | 35C-71209-02 | LABEL(BRAND) | 1 | | - | |
| 904 | 35C-82108-13 | LABEL(SPEC.) | 1 | | - | |
| 915 | 35C-71202-02 | LABEL(PANEL) | 1 | | - | |