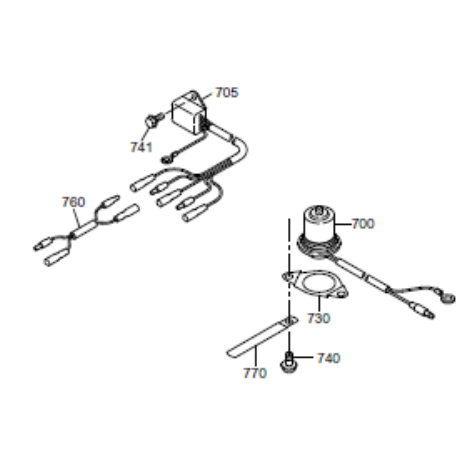
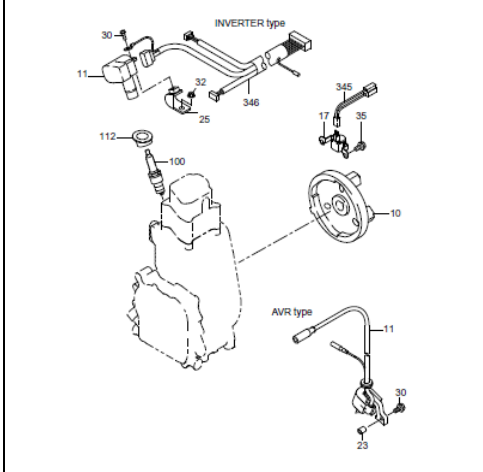
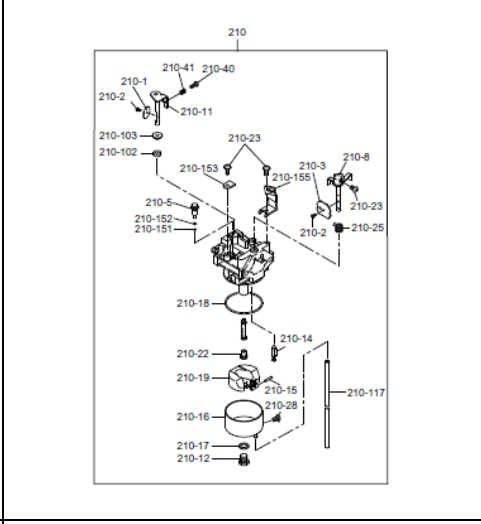
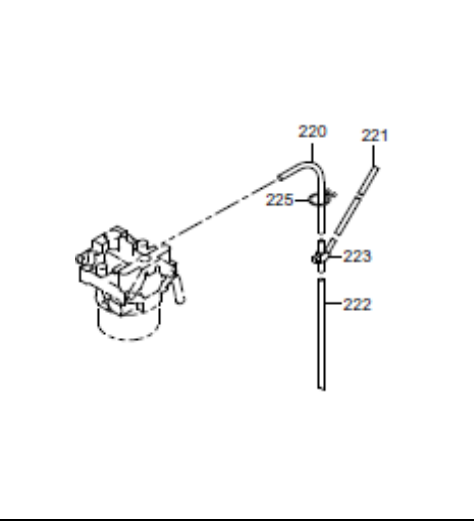
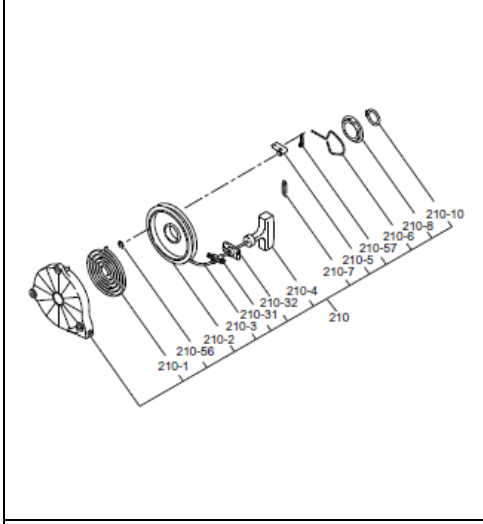
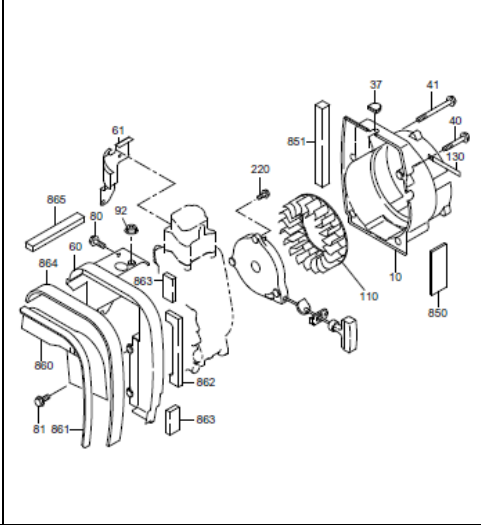
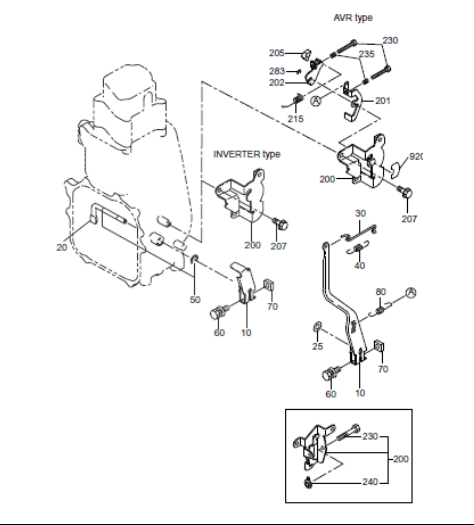
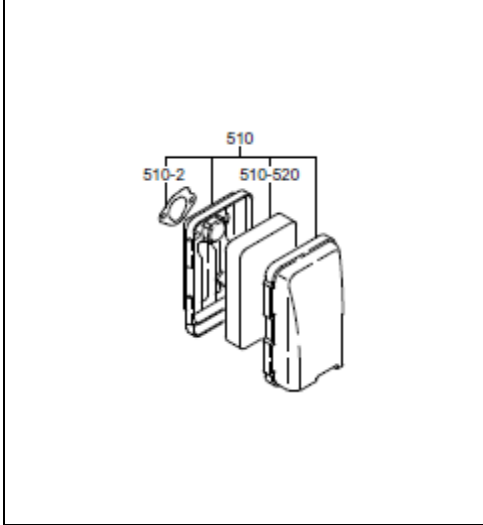
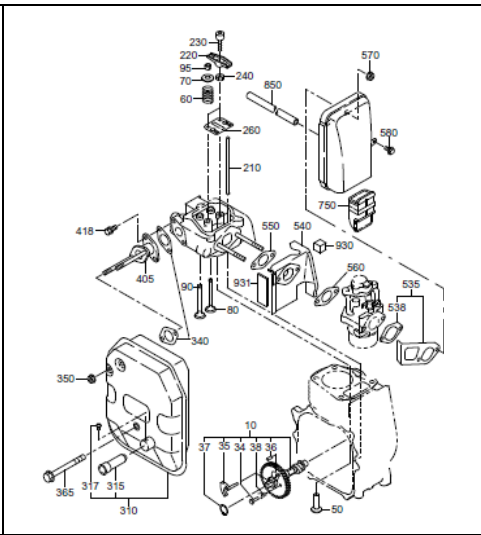
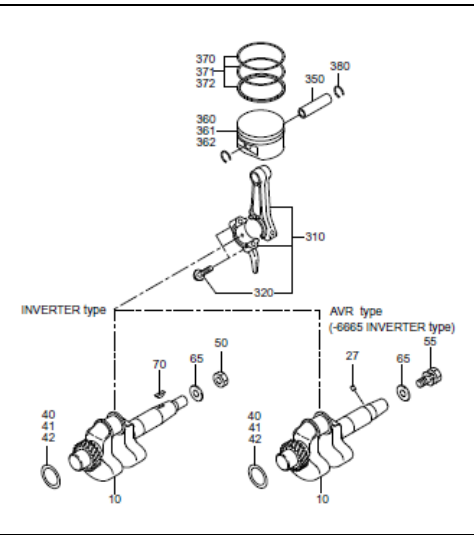
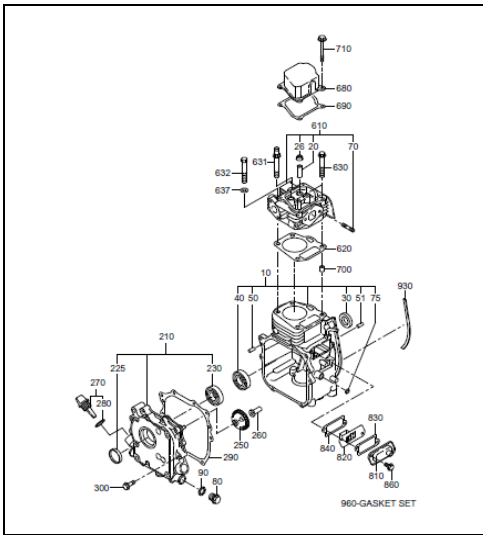

Model **SG9**

PARTS CATALOG

Spec. No. RGS17031000
(E/G Spec.No. EH092DN8110)



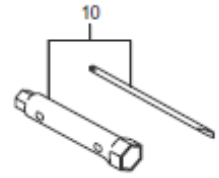
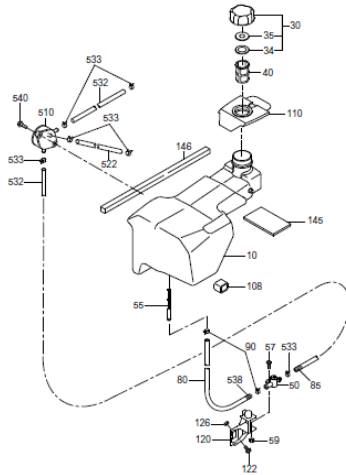
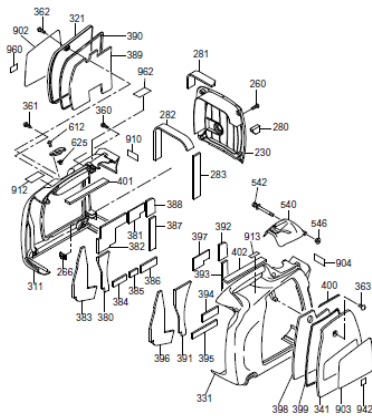
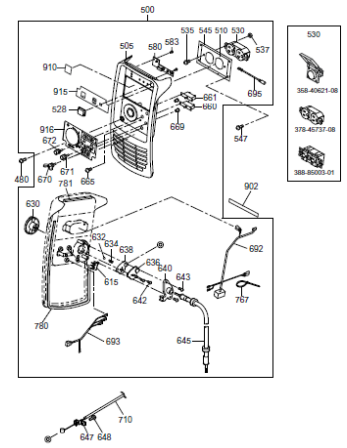
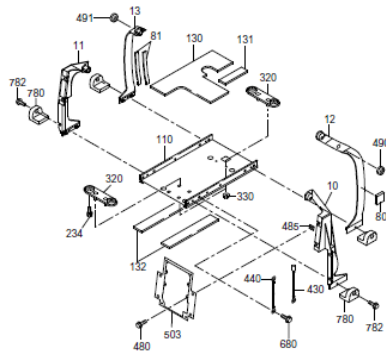
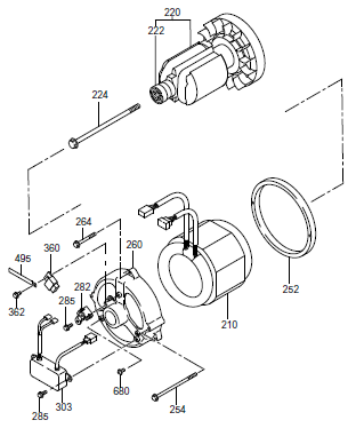
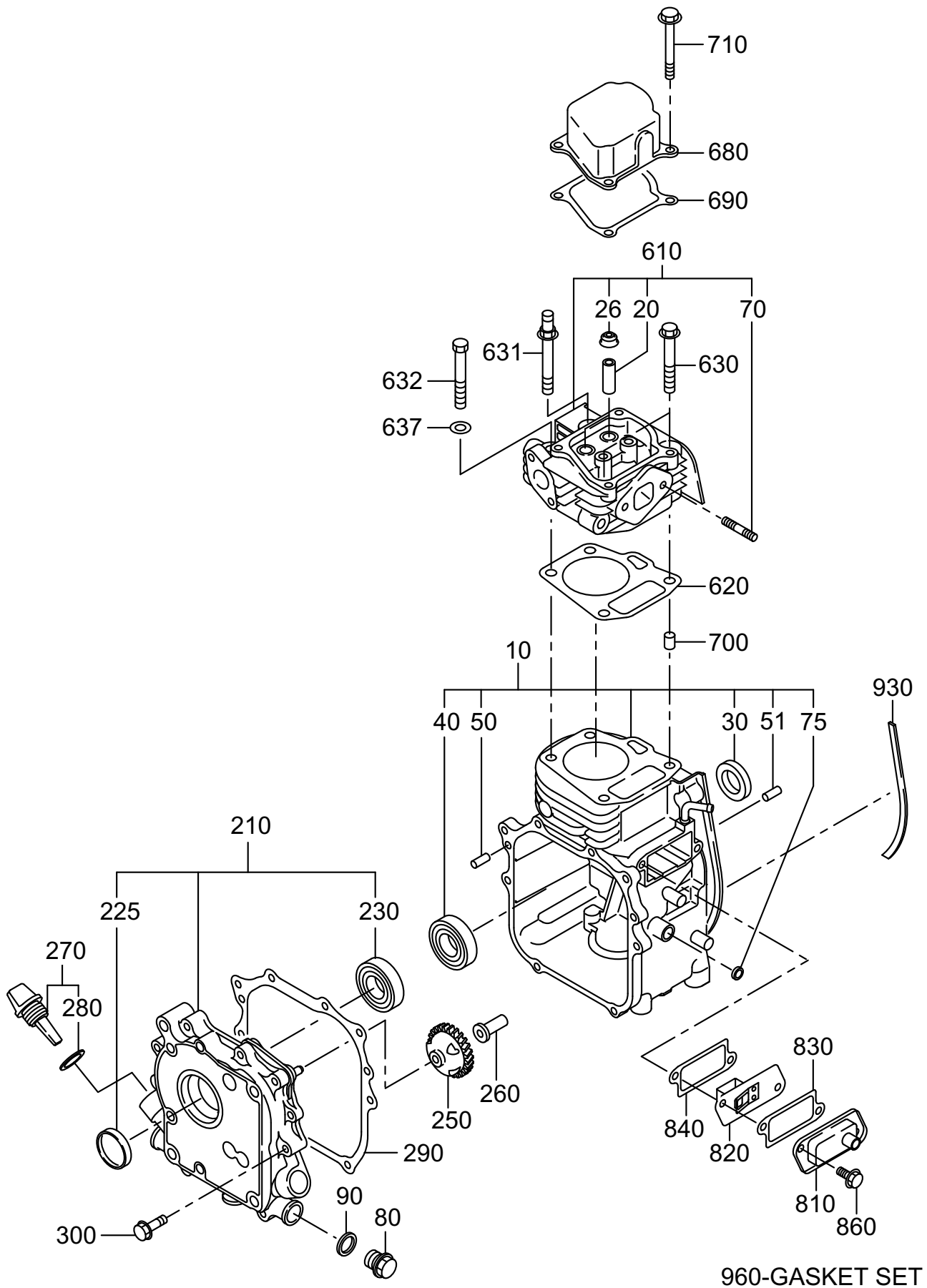


FIG. 105



1 CRANKCASE

REF.	PART NUMBER	PART NAME	QTY	R E M A R K S	CODE NO.	INTERCHANGE P/NO.	UNIT P	FIG.
10	284-10103-11	CRANKCASE CP	1		6880-			105
	284-10103-01	CRANKCASE CP	1		-6879	284-10103-11		105
20	237-14202-03	VALVE GUIDE	2	5.5DX9.5DX27L	-			105
26	277-16010-01	STEM SEAL	1	5.5DX9.5DX15DX7.8B	-			105
30	044-02000-70	OIL SEAL	1	20DX32DX6B	-			105
40	060-02001-40	BALL BEARING	1	20DX42DX12B	-			105
50	031-00600-20	DOWEL PIN	2	6DX14.5L	-			105
51	277-15011-03	PIPE KNOCK	2	10.3DX8.5DX14L	-			105
70	010-50604-20	STUD	2	M6X1.0X84L	-			105
75	044-00600-20	OIL SEAL	1	6DX10DX2.5B	-			105
80	040-11400-30	PLUG	1	M14X1.5X20DX12L	-			105
90	021-11400-20	GASKET	1	14.1DX19DX2.3T	-			105
210	284-11201-21	MAINBEARING COVER CP	1		-			105
225	230-17102-03	PLUG (RUBBER)	1	32DX5T	-			105
230	060-02001-40	BALL BEARING	1	20DX42DX12B	-			105
250	284-45003-01	GOVERNOR GEAR CP	1	44DX20T N=26	-			105
260	205-41901-03	GOVERNOR SLEEVE	1	6DX9DX16DX26L	-			105
270	230-63601-11	OIL GAUGE CP	1	M18X1.5 L=38+18	-			105
280	021-31600-20	GASKET	1	16DX23DX1.2T RUBBER	-	X21-31600-20		105
290	284-16003-03	GASKET(BEARING COVER)	1	T=0.3	-			105
300	011-00601-01	FLANGE BOLT	8	M6X1.0X13DX28L	-			105
610	284-13003-11	CYLINDER HEAD CP	1		6972-			105
	284-13003-01	CYLINDER HEAD CP	1		-6971			105
620	284-15001-13	GASKET (HEAD)	1	T=0.2	-			105
630	011-00802-10	FLANGE BOLT	2	M8X1.25X16DX55L	-			105
631	011-00803-01	FLANGE BOLT	1		-			105
632	010-00804-20	BOLT	1	M8X1.25X60L	-			105
637	020-00802-10	WASHER	1	8.5DX17DX3.2T	-			105
680	284-15501-03	ROCKER COVER	1		-			105
690	284-16007-03	GASKET(ROCKER COVER)	1	T=0.5	7396-			105
	284-16004-03	GASKET(ROCKER COVER)	1	T=0.7	-7395	284-16007-03		105
700	277-15011-03	PIPE KNOCK	2	10.3DX8.5DX14L	-			105
710	011-00604-20	FLANGE BOLT	4		-			105
810	284-14301-01	BREATHER COVER CP	1		-			105
820	284-14401-01	BREATHER PLATE CP	1		-			105
830	230-16006-13	GASKET(TAPPET COVER)	1	T=0.8	-			105
840	230-16007-03	GASKET (BREATHER)	1	T=2	-			105
860	011-00600-20	FLANGE BOLT	2	M6X1.0X14DX12L	-			105
930	33K-58317-03	SPONGE CRANK	1		-			105
960	284-99002-17	GASKET SET	1		-			105

FIG. 205

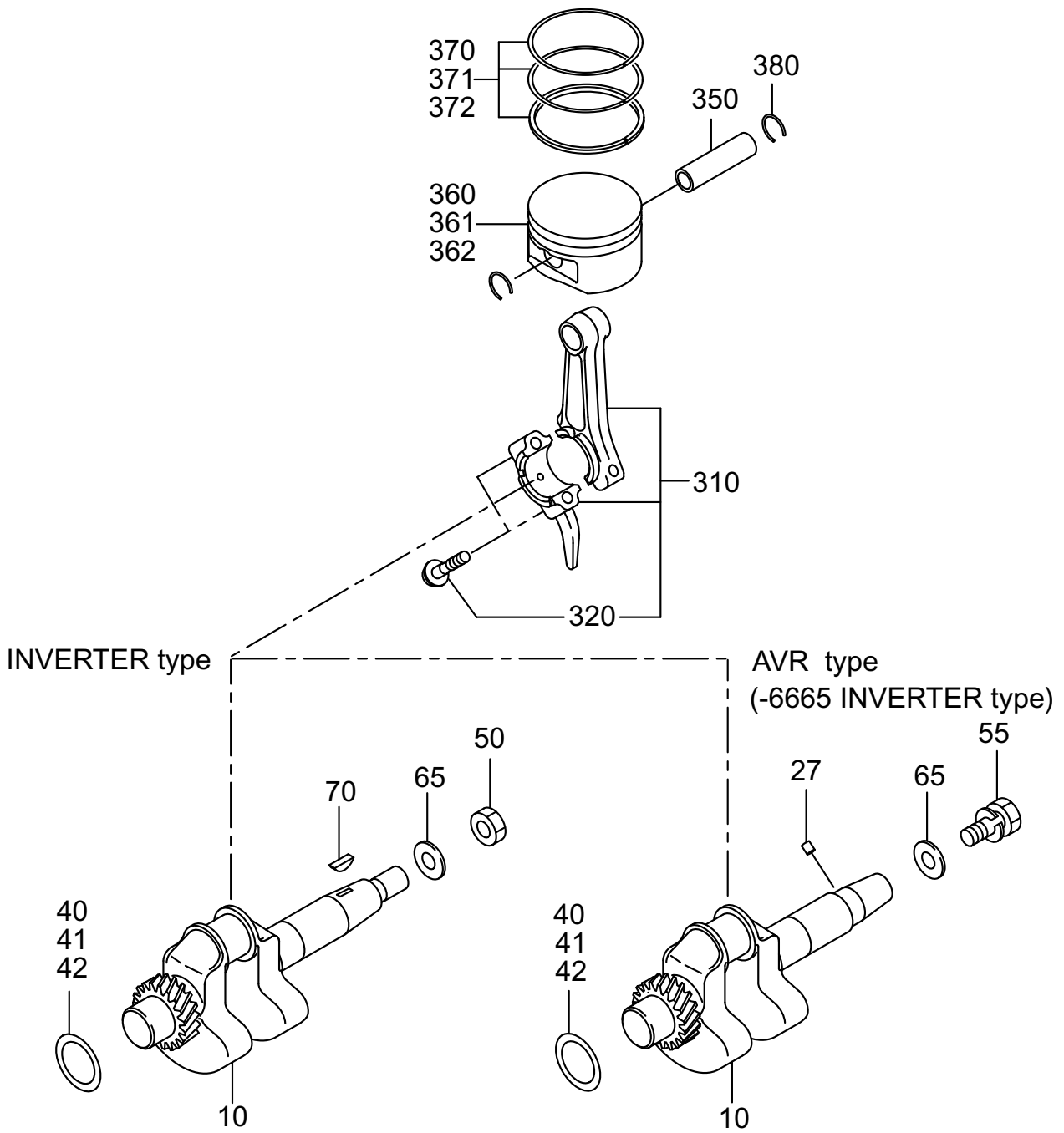


FIG. 305

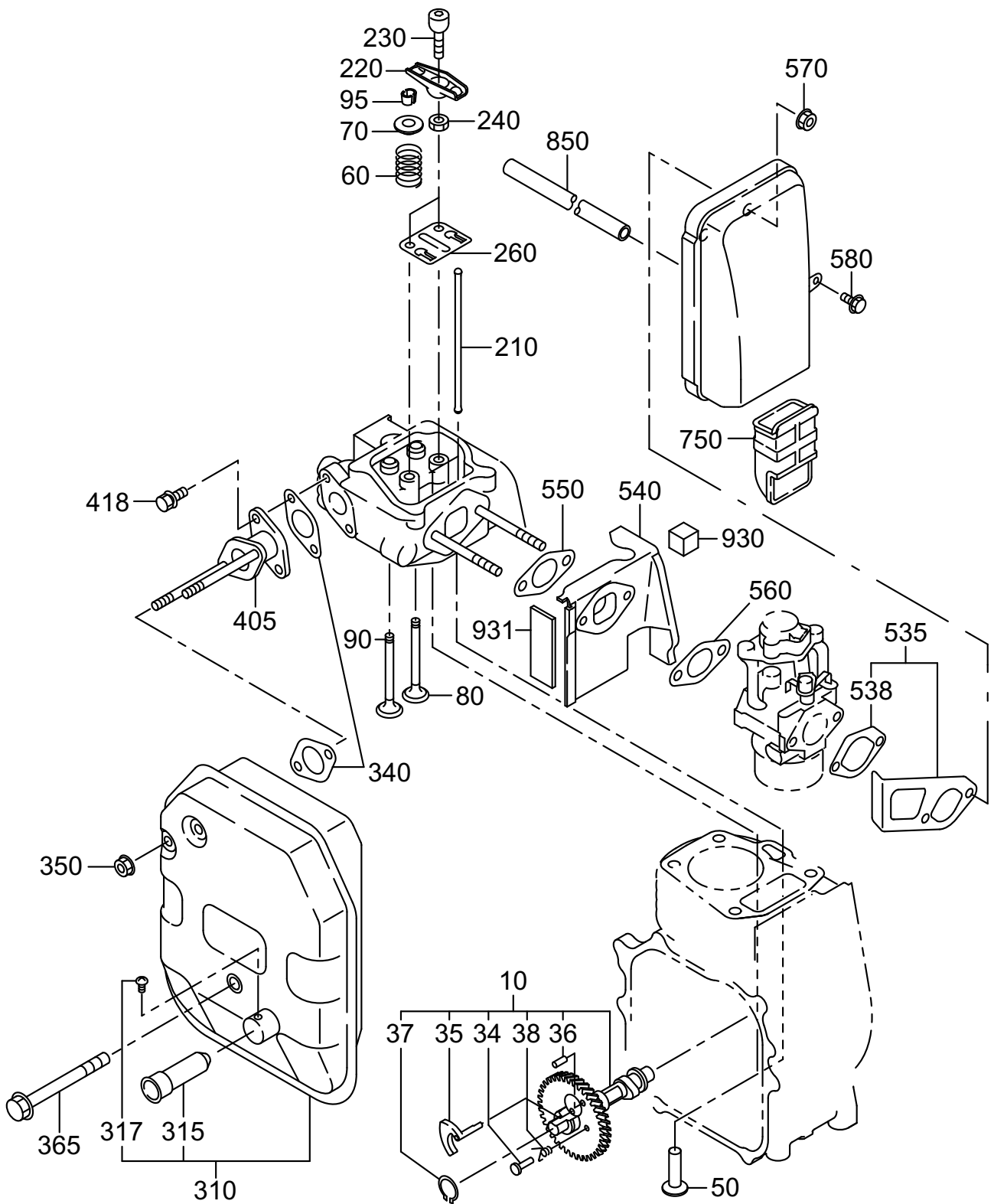


FIG. 317

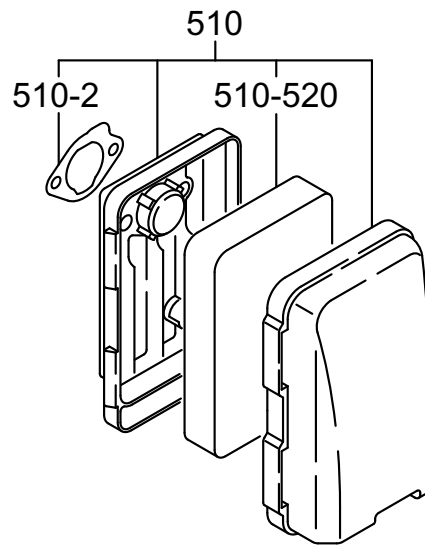


FIG. 405

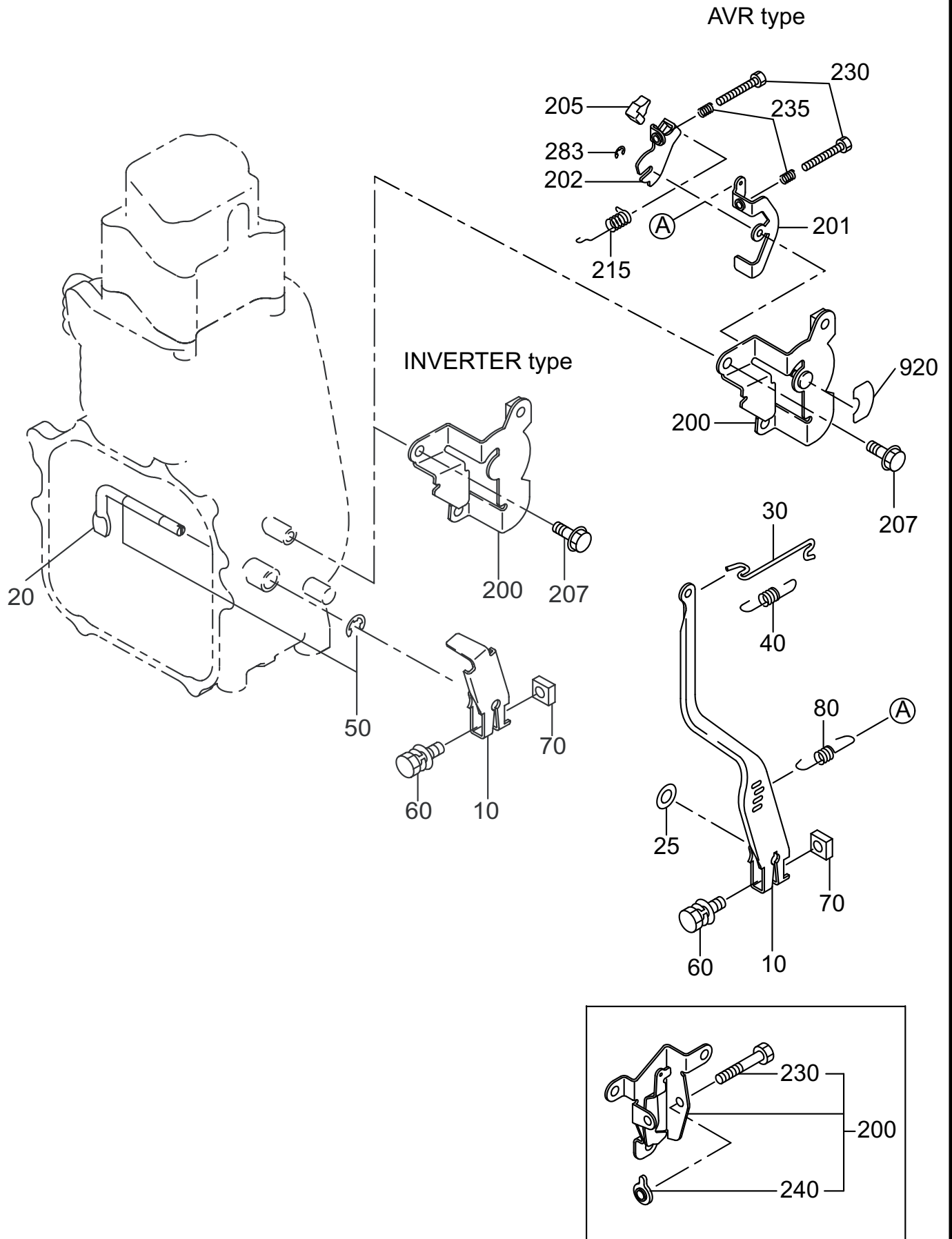


FIG. 505

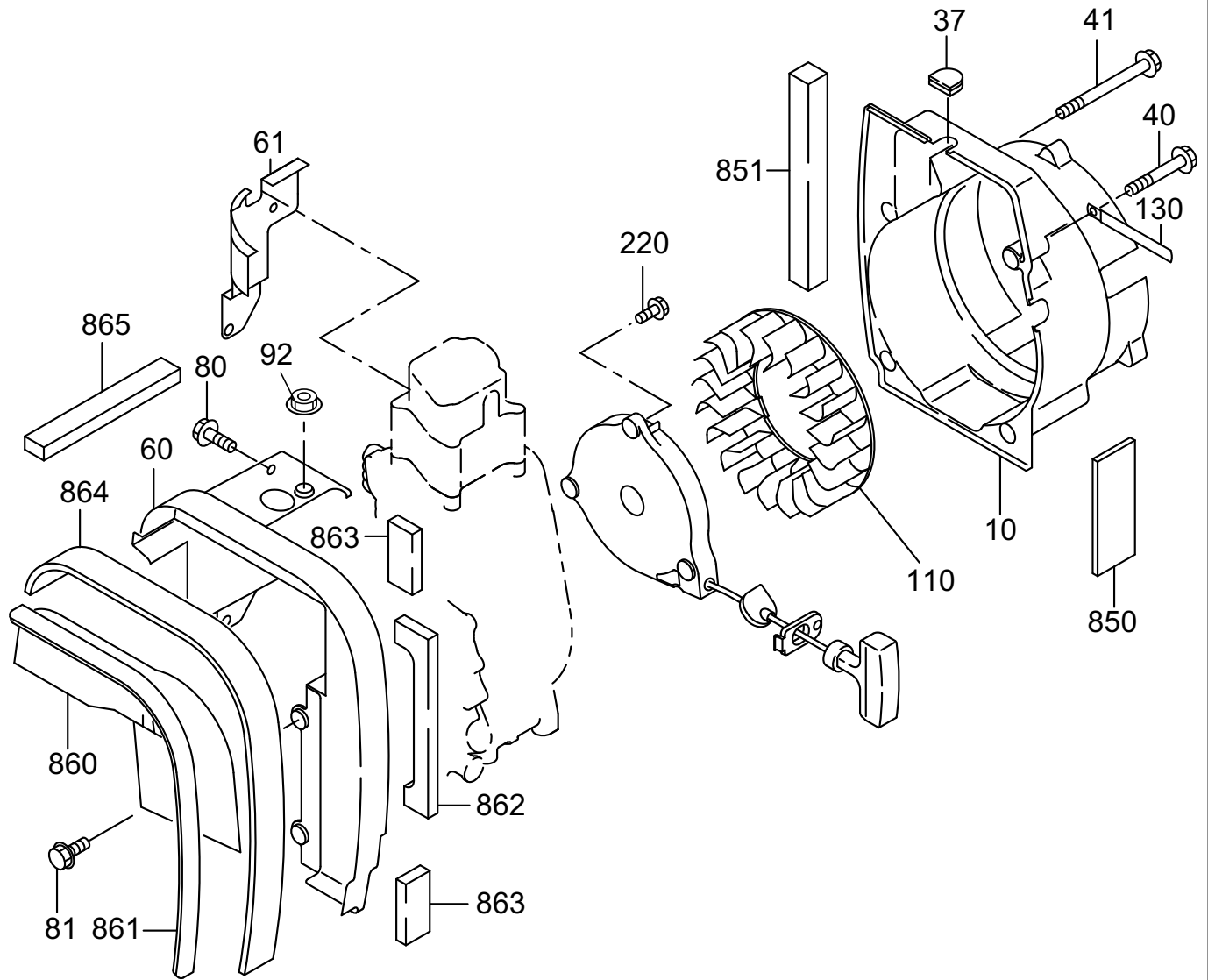


FIG. 525

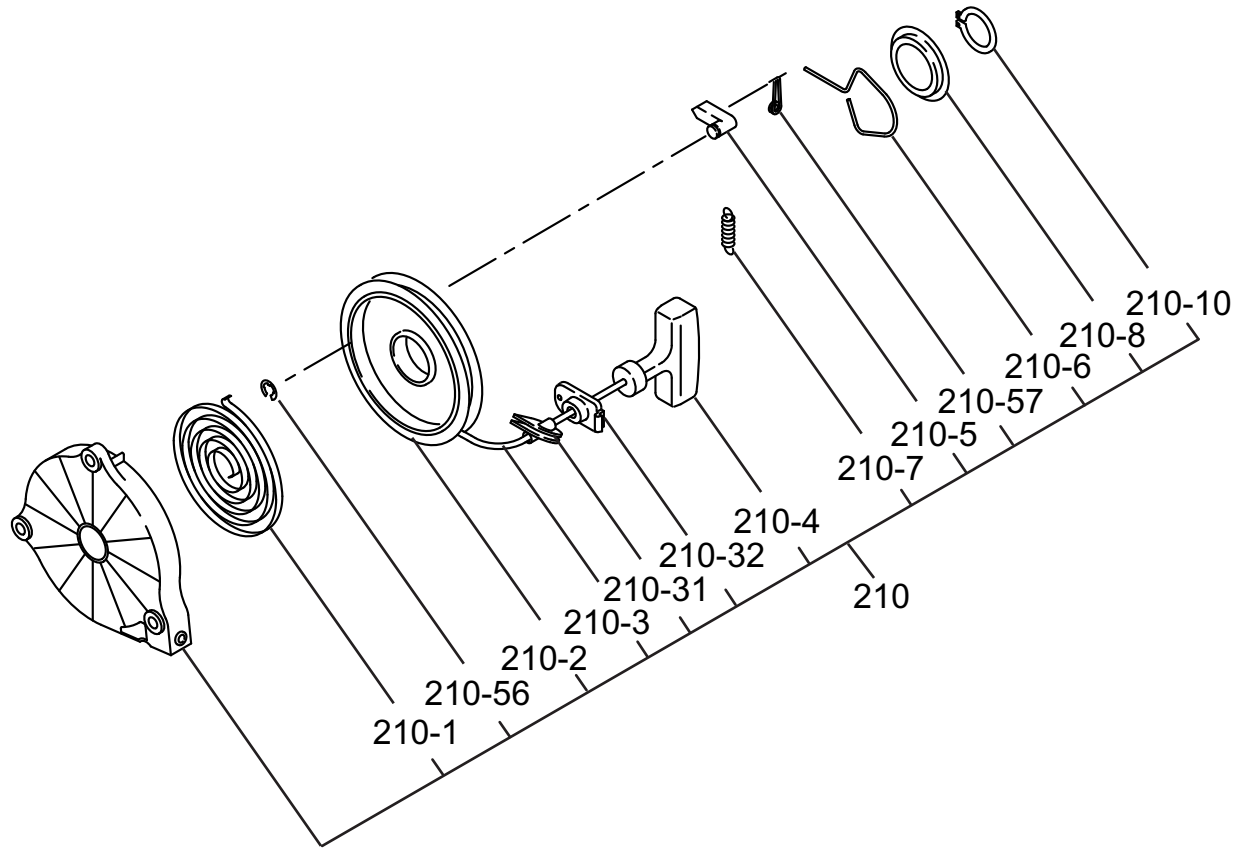


FIG. 605

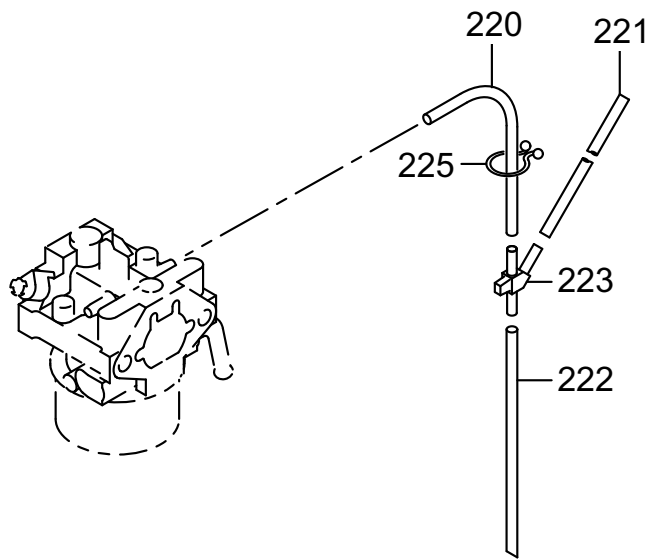


FIG. 642

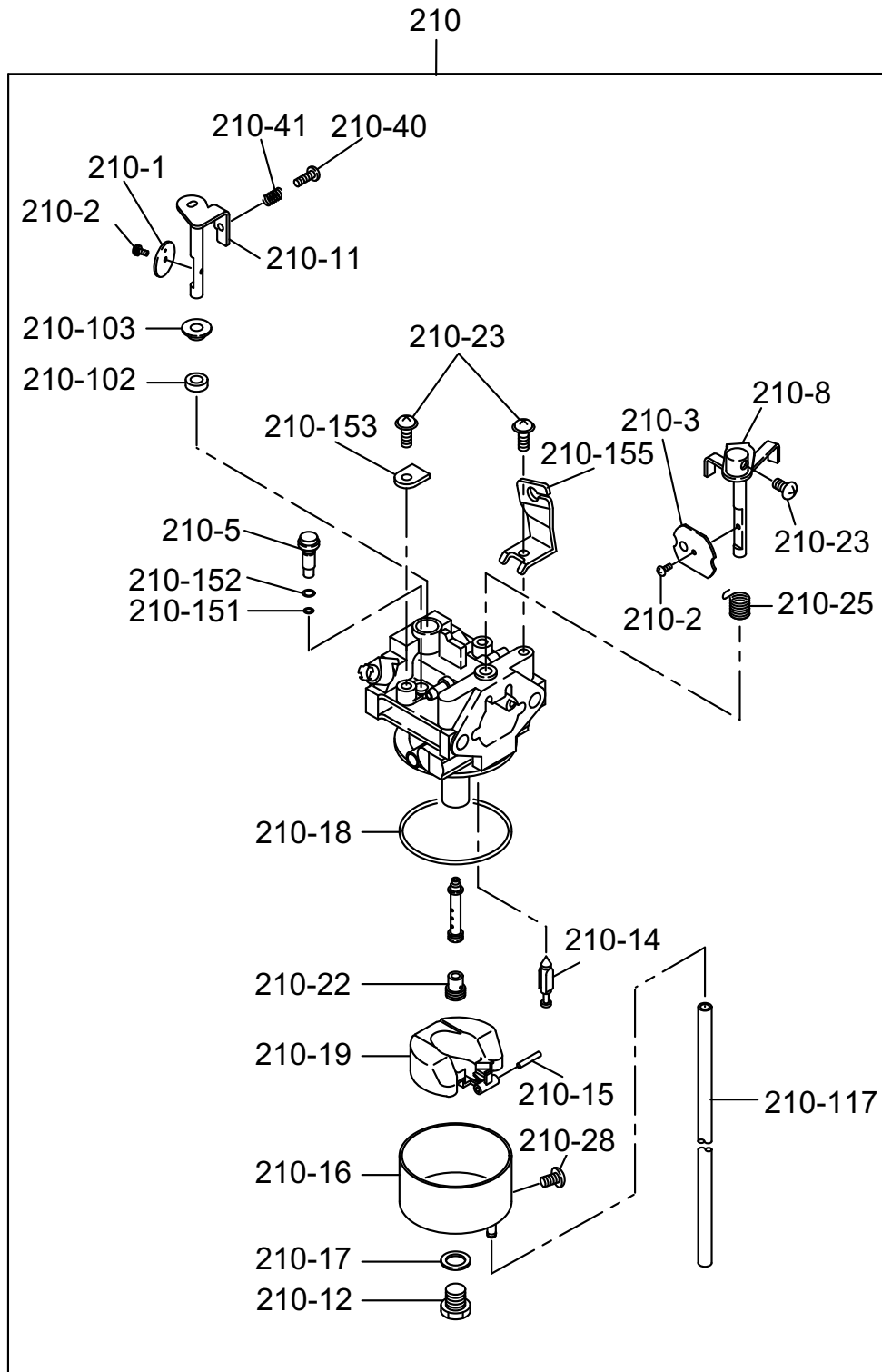


FIG. 705

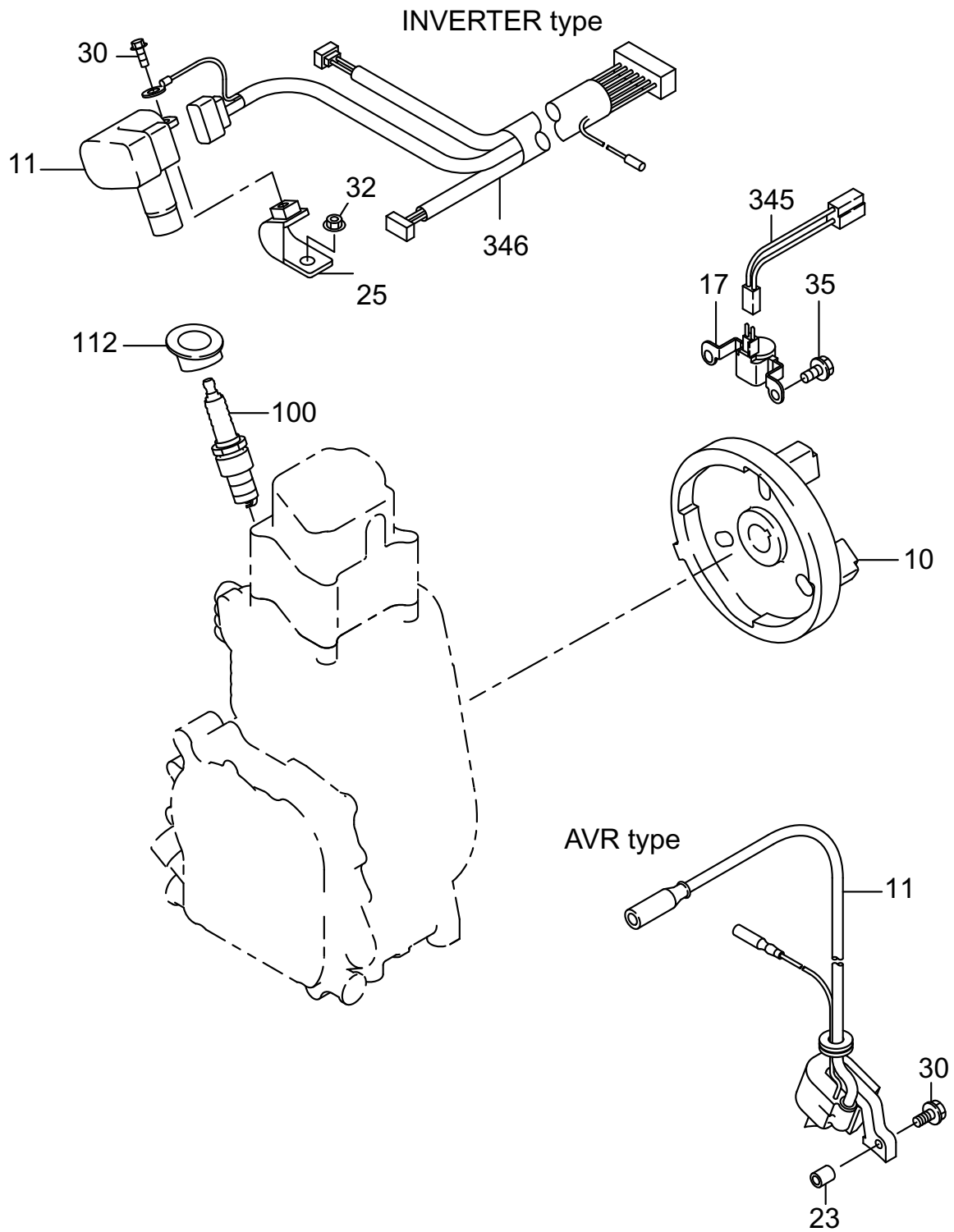


FIG. 775

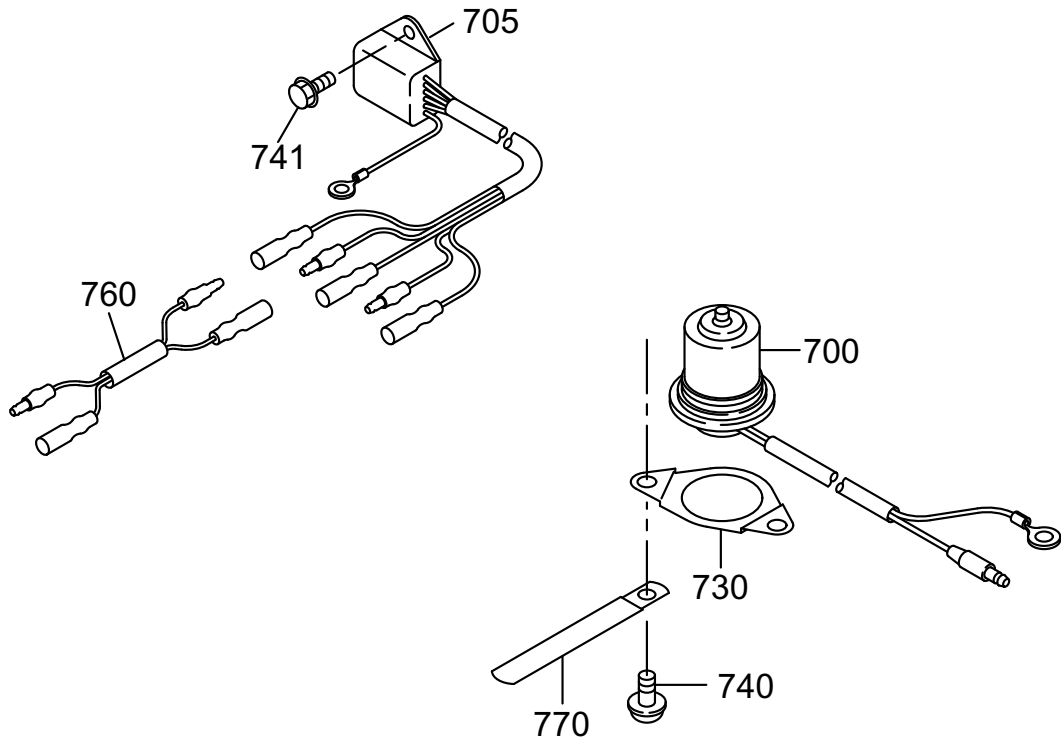


FIG. 2200

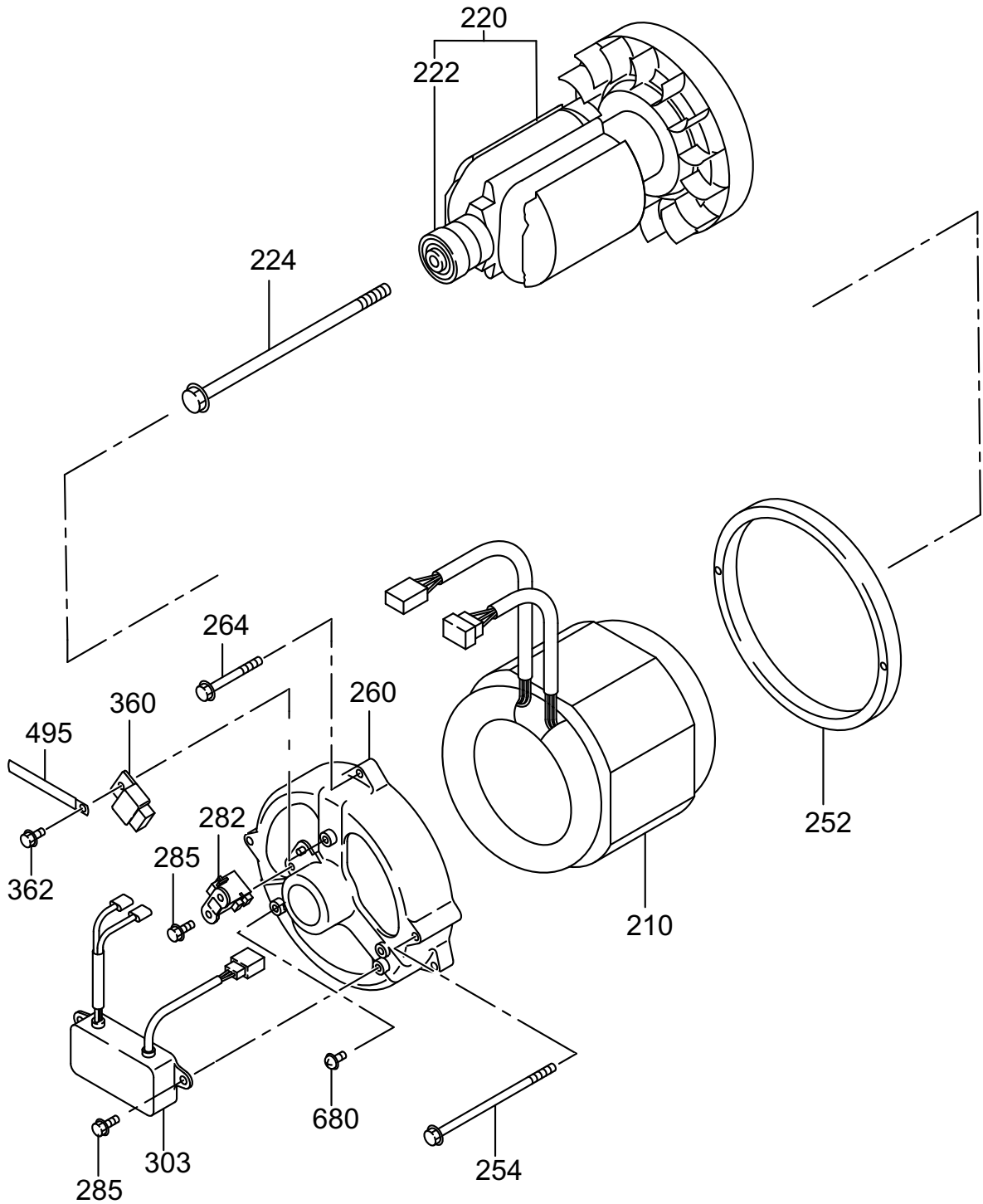


FIG. 2300

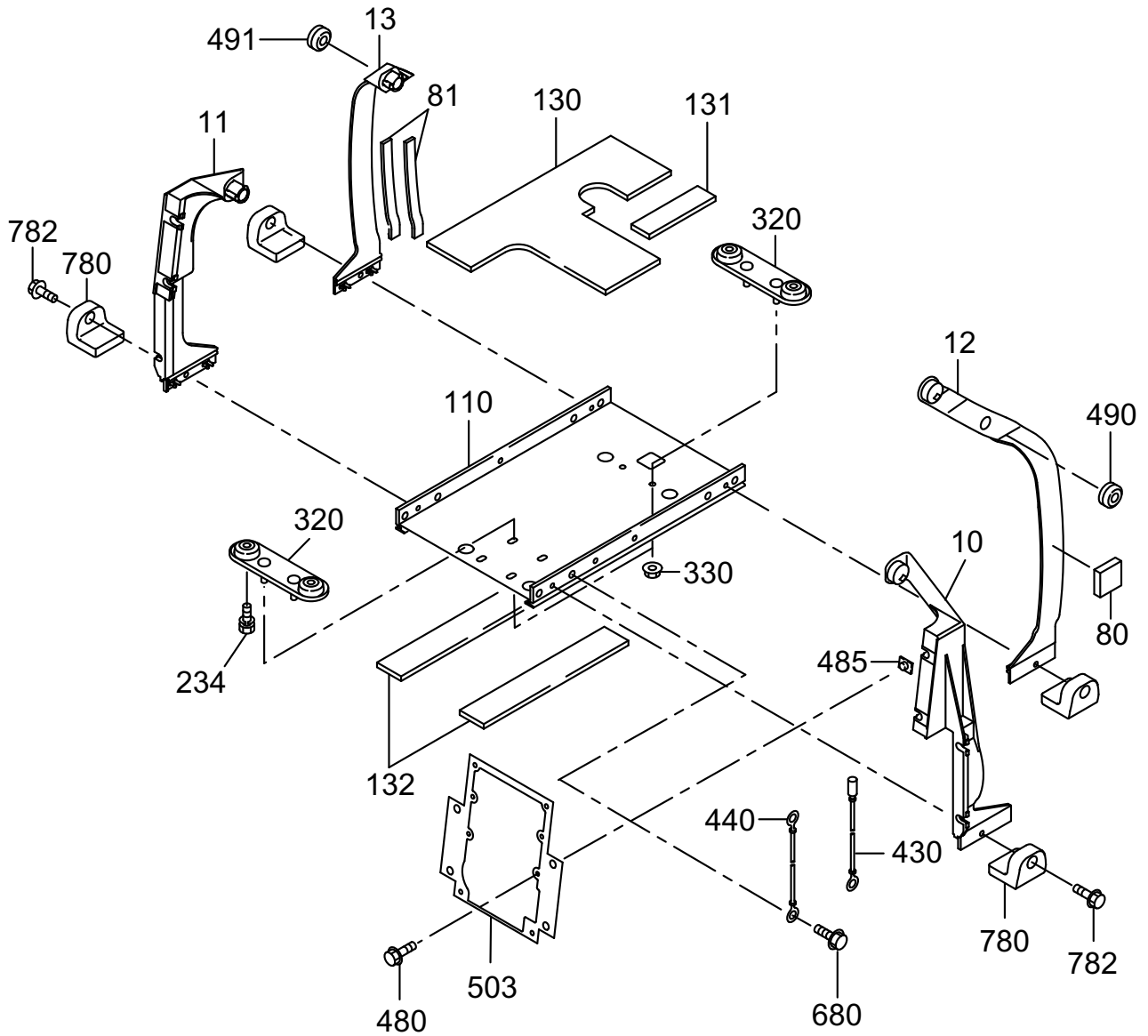


FIG. 2400

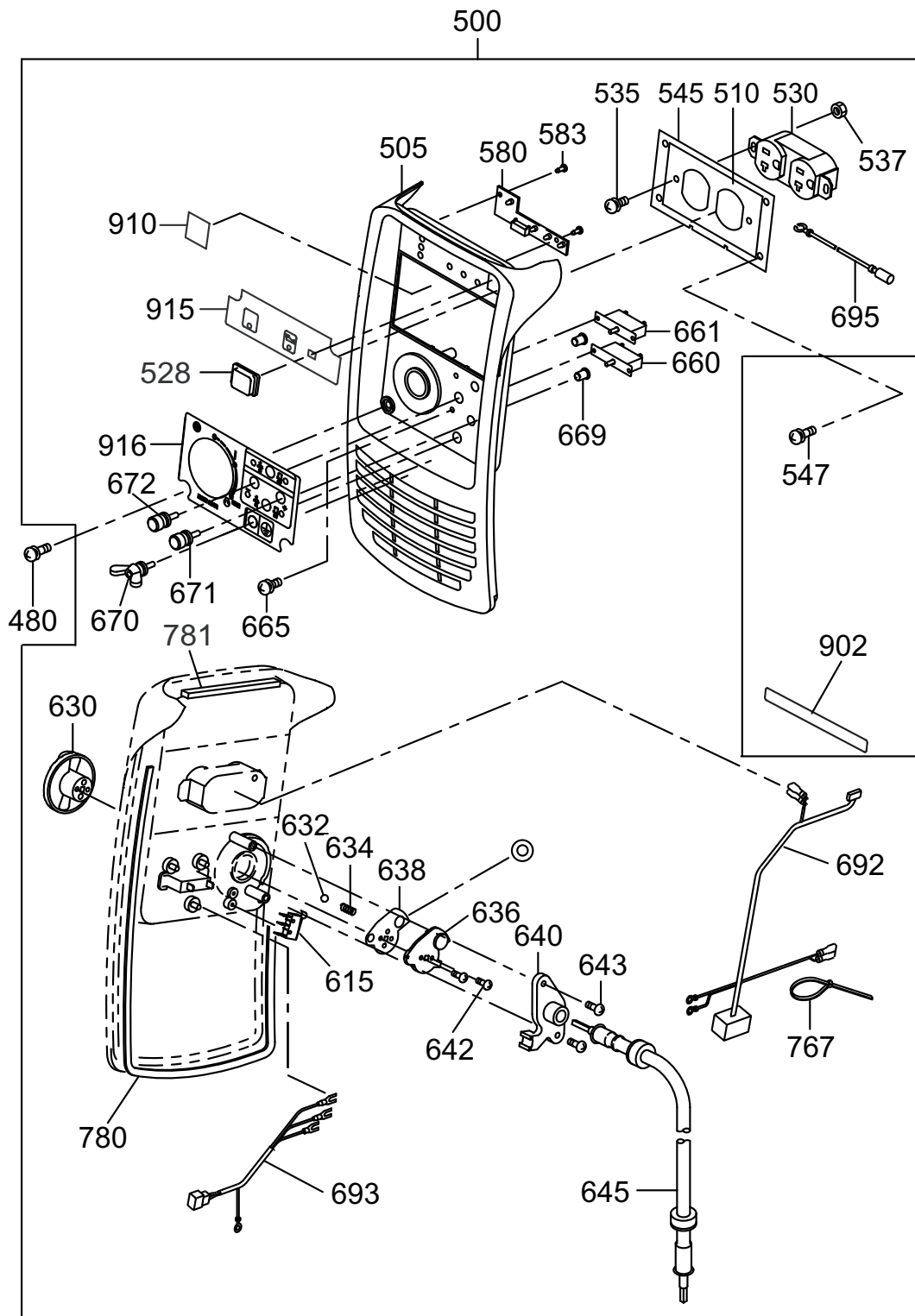
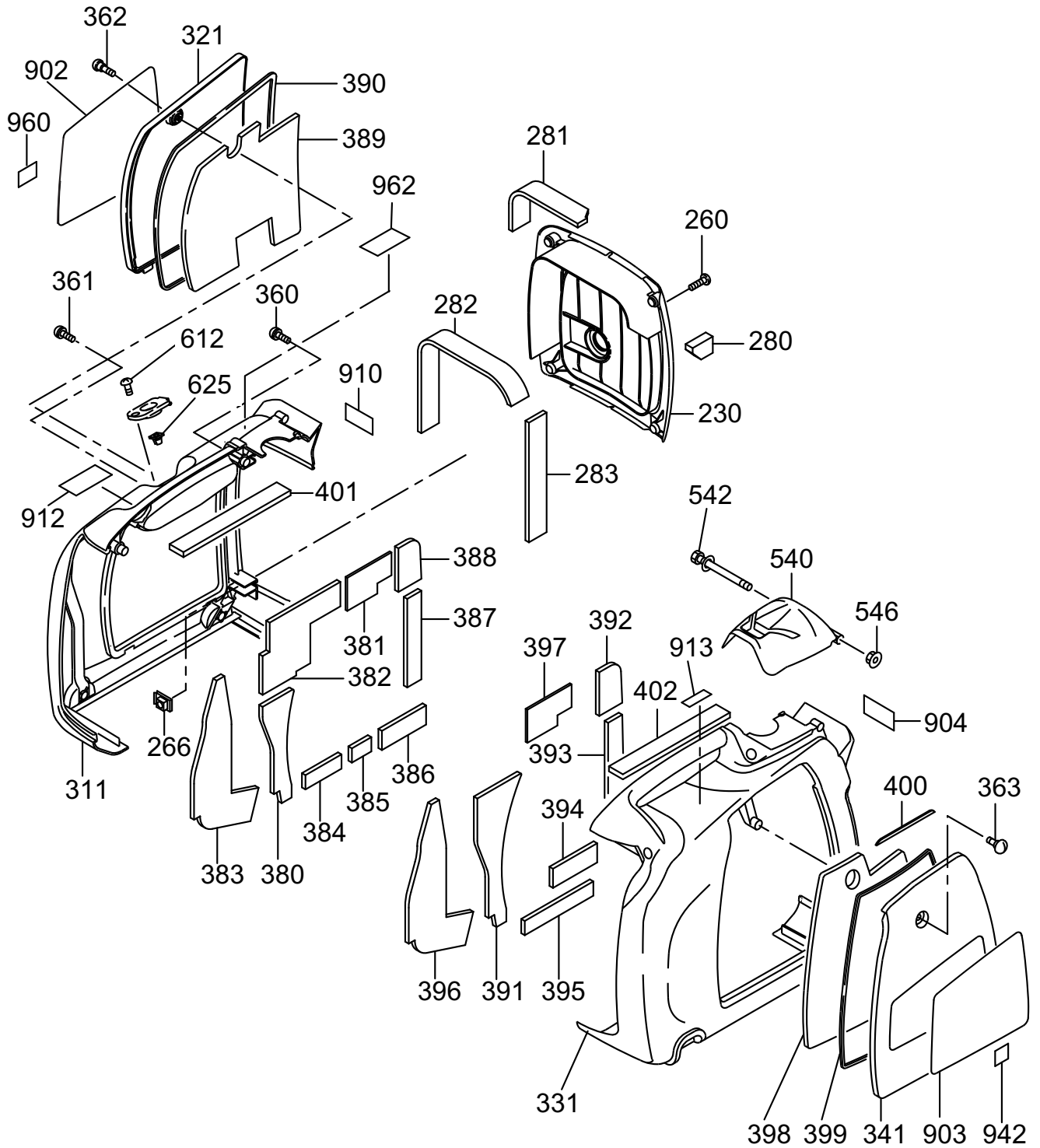


FIG. 2500



25 COVER

REF.	PART NUMBER	PART NAME	QTY	R E M A R K S	CODE NO.	INTERCHANGE P/NO.	UNIT P	FIG.
230	33K-50201-03	REAR COVER	1	BLACK	-			2500
260	013-10600-30	SCREW AND WASHER AY	4		-			2500
266	33K-50205-01	NUT CP	4		-			2500
280	33K-58318-13	R-COVER SPONGE 1	2		-			2500
281	33K-58319-13	R-COVER SPONGE 2	1		-			2500
282	33K-58322-03	R-COVER SPONGE 3	1		-			2500
283	33K-58324-03	R-COVER SPONGE 4	1		-			2500
311	33K-50301-13	CASE BODY L	1		-			2500
321	33K-50311-03	SIDE PANEL L	1		-			2500
331	33K-50401-13	CASE BODY R	1		-			2500
341	33K-50411-03	SIDE PANEL R	1		-			2500
360	004-36062-50	SCREW AND WASHER AY	2	M6X1.0X25L W/W, SW	-			2500
361	004-36062-00	SCREW AND WASHER AY	1	M6X1.0X20L W/W, SW	-			2500
362	33K-50501-03	BOLT(PANEL)	1		-			2500
363	33K-50501-03	BOLT(PANEL)	1		-			2500
380	33K-58301-03	SPONGE CASE L	1		-			2500
381	33K-58307-03	SPONGE CASE L 5	1		-			2500
382	33K-58305-03	SPONGE CASE L 3	1		-			2500
383	33K-58304-03	SPONGE CASE L 2	1		-			2500
384	33K-58308-03	SPONGE CASE L 6	1		-			2500
385	33K-58309-03	SPONGE CASE L 7	1		-			2500
386	33K-58408-03	SPONGE CASE R 6	1		-			2500
387	33K-58409-03	SPONGE CASE R 7	1		-			2500
388	33K-58306-03	SPONGE CASE L 4	1		-			2500
389	33K-58302-03	SPONGE PANEL L	1		-			2500
390	33K-58303-03	SEAL SPONGE L	1		-			2500
391	33K-58401-03	SPONGE CASE R	1		-			2500
392	33K-58406-03	SPONGE CASE R 4	1		-			2500
393	33K-58409-03	SPONGE CASE R 7	1		-			2500
394	33K-58408-03	SPONGE CASE R 6	1		-			2500
395	33K-58407-03	SPONGE CASE R 5	1		-			2500
396	33K-58404-03	SPONGE CASE R 2	1		-			2500
397	33K-58405-03	SPONGE CASE R 3	1		-			2500
398	33K-58402-03	SPONGE PANEL R	1		-			2500
399	33K-58403-03	SEAL SPONGE R	1		-			2500
400	33K-58410-03	SEAL SPONGE R 2	1		-			2500
540	33K-55001-13	TANK CAP COVER	1		-			2500
542	013-10400-91	SCREW AND WASHER AY	1		-			2500
546	018-00400-00	FLANGE NUT	1		-			2500
612	015-00400-90	TAPPING SCREW	1	M4X12L	-			2500

FIG. 2500

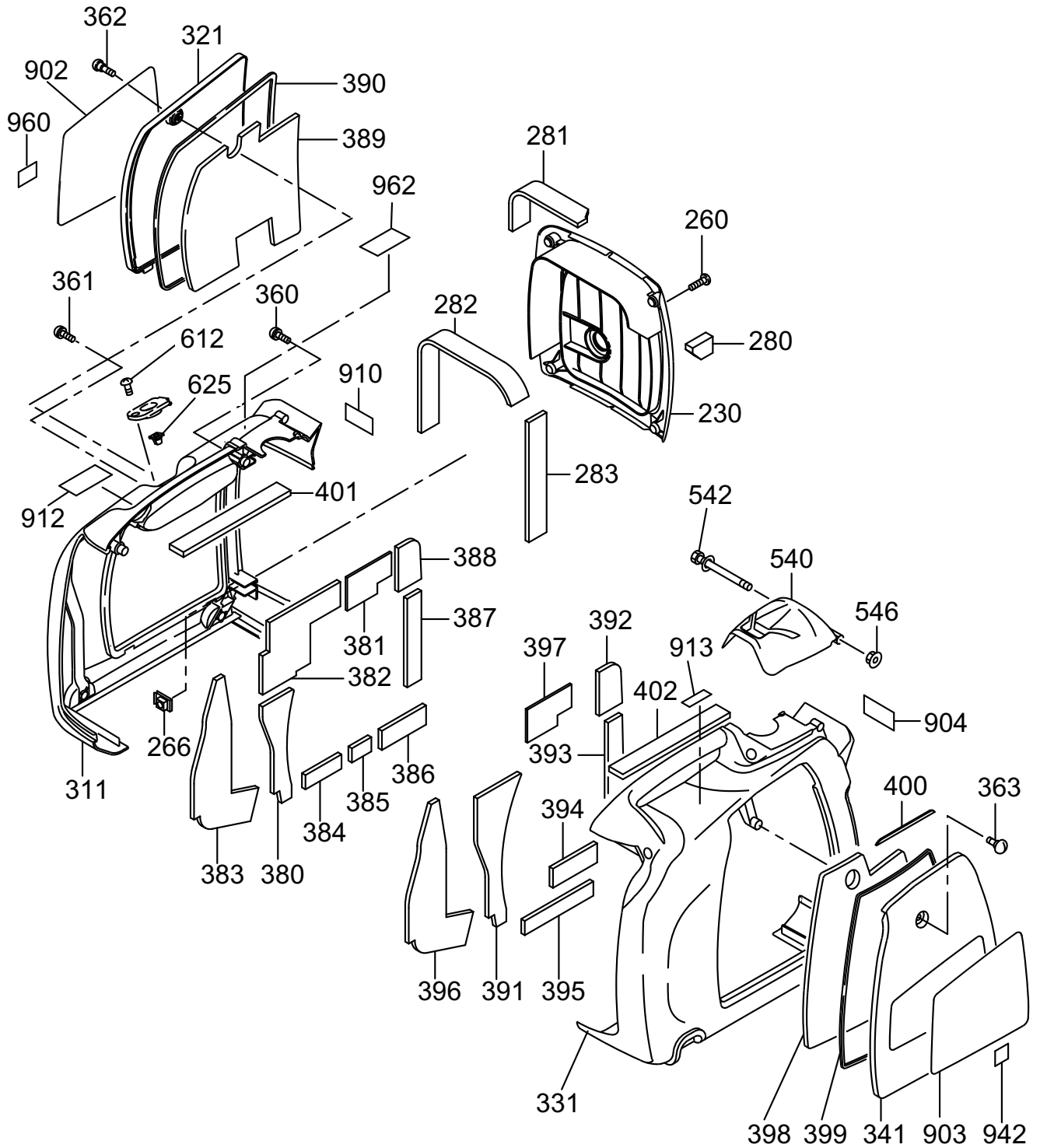


FIG. 2600

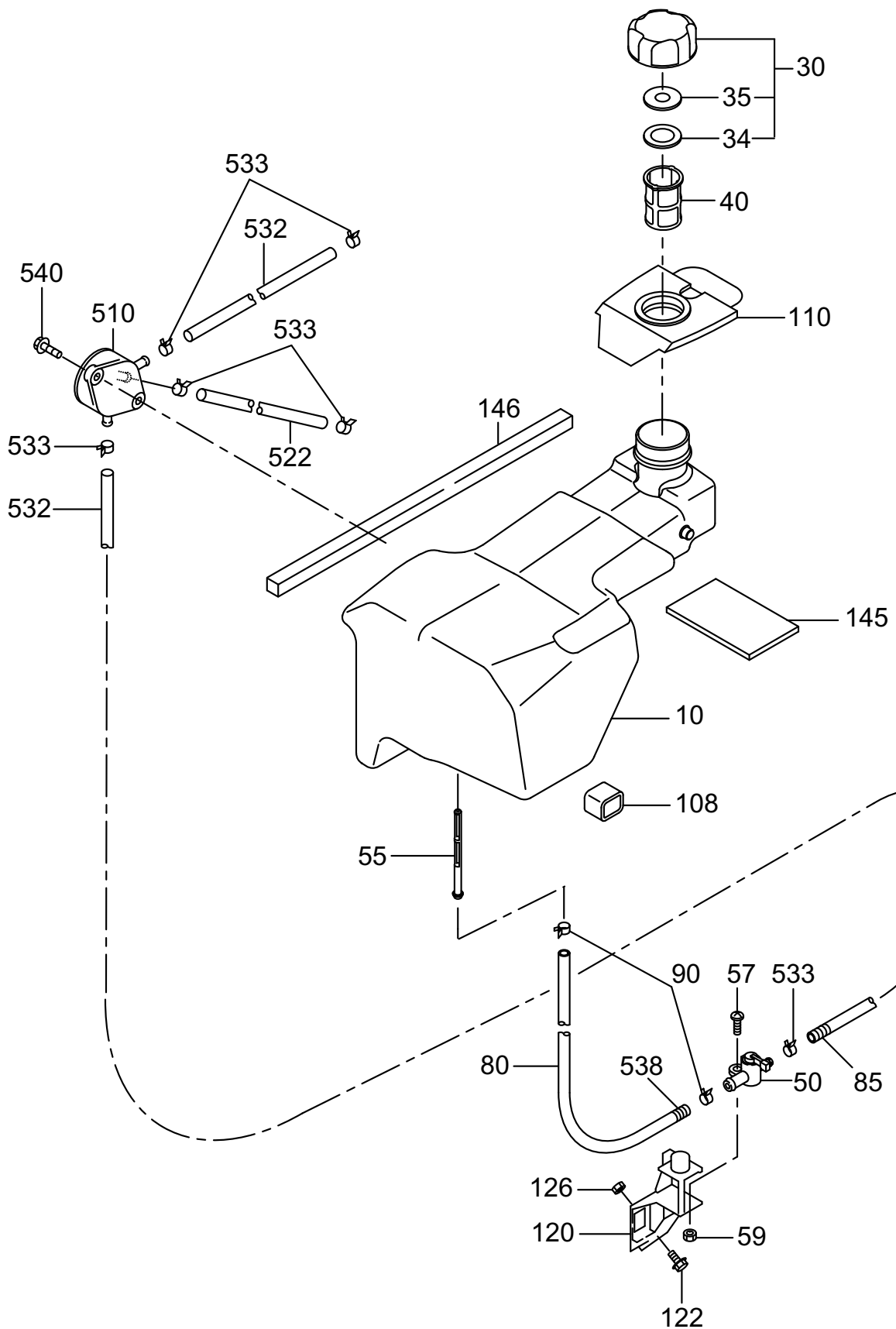


FIG. 2900

