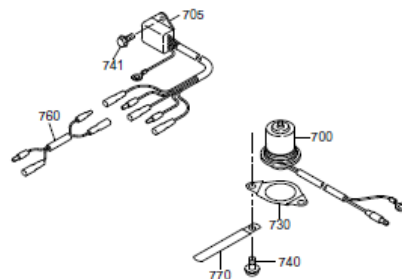
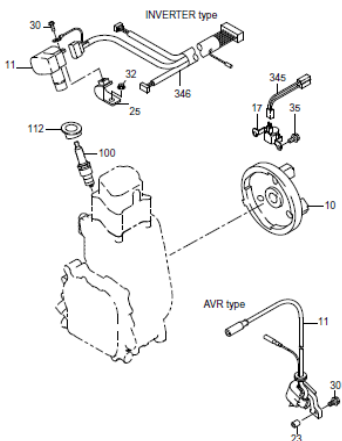
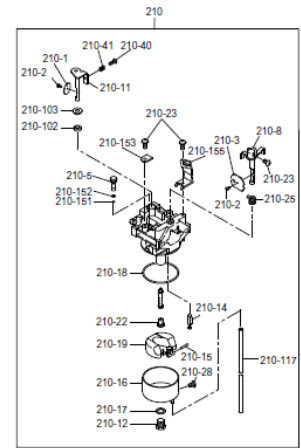
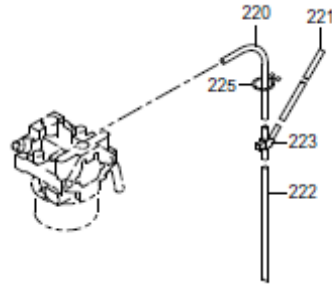
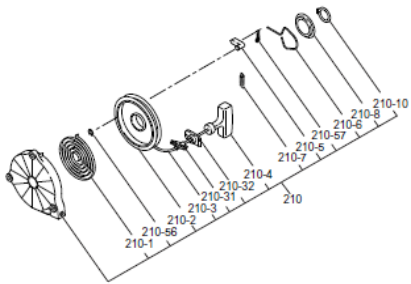
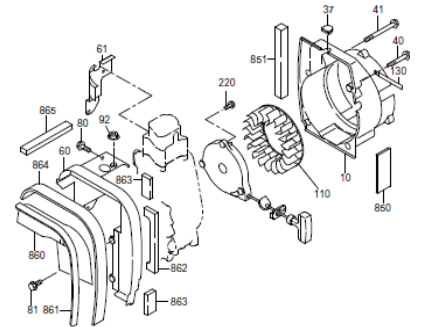
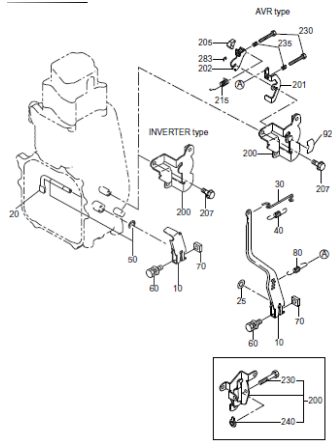
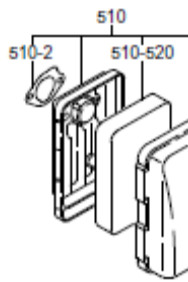
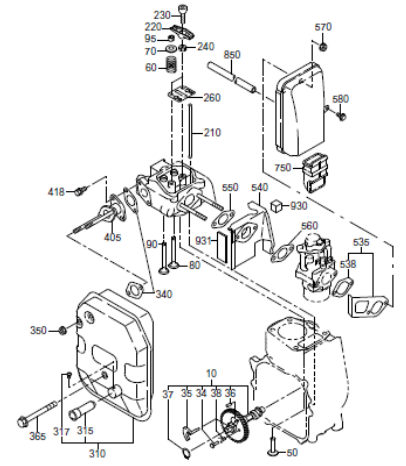
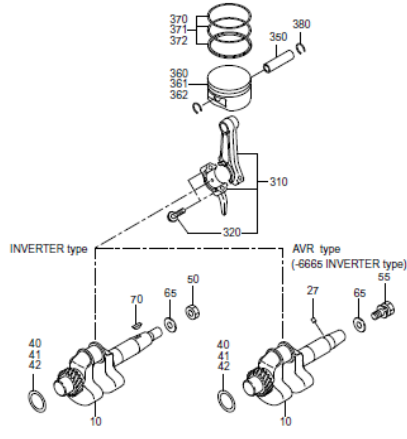
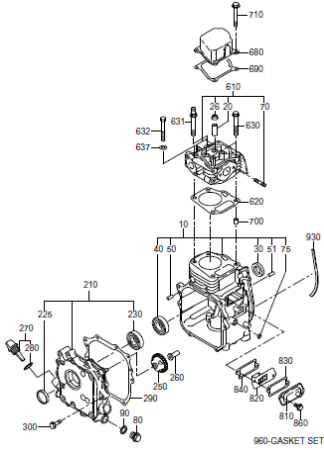

Model **R1100**

PARTS CATALOG

Spec. No. RGS17017010
(E/G Spec.No. EH092DN8140)



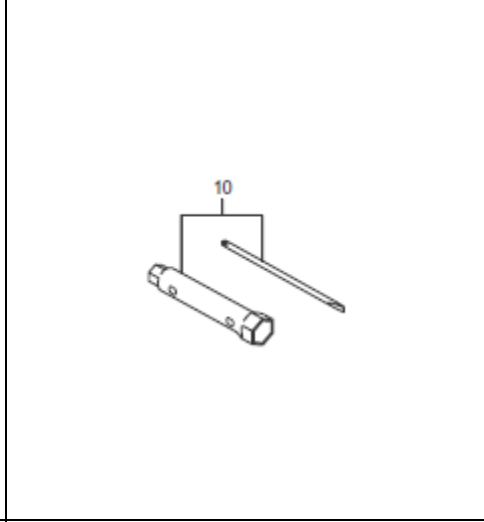
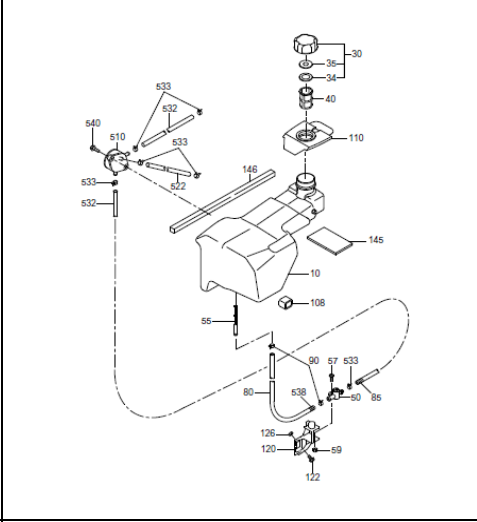
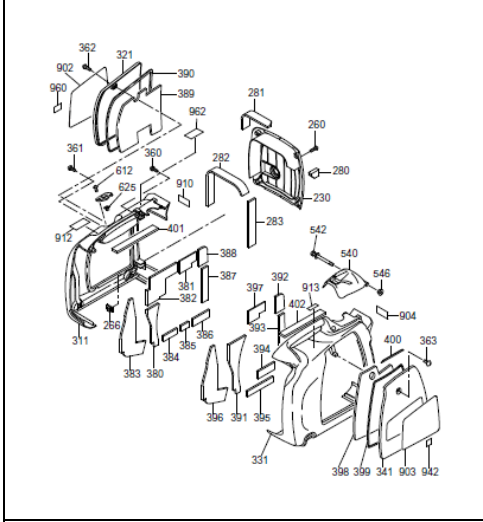
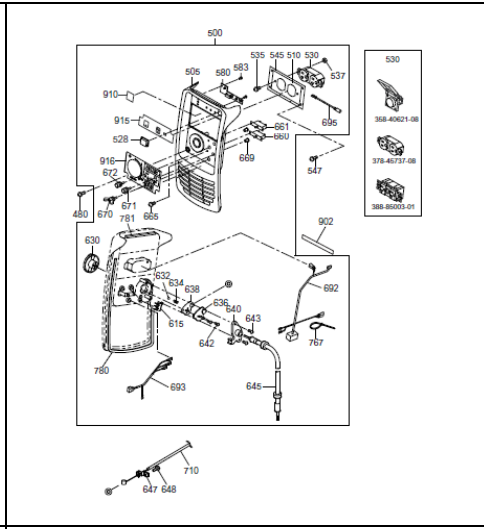
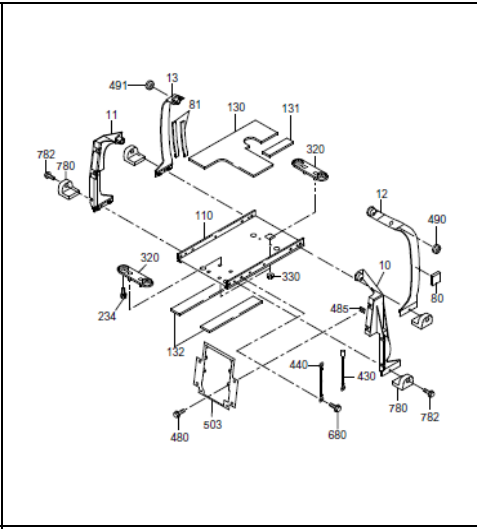
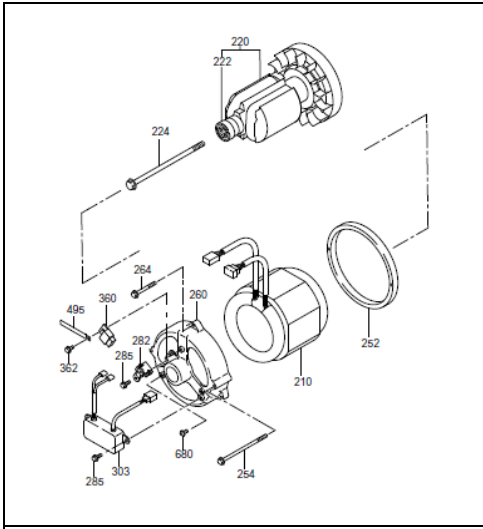


FIG. 105

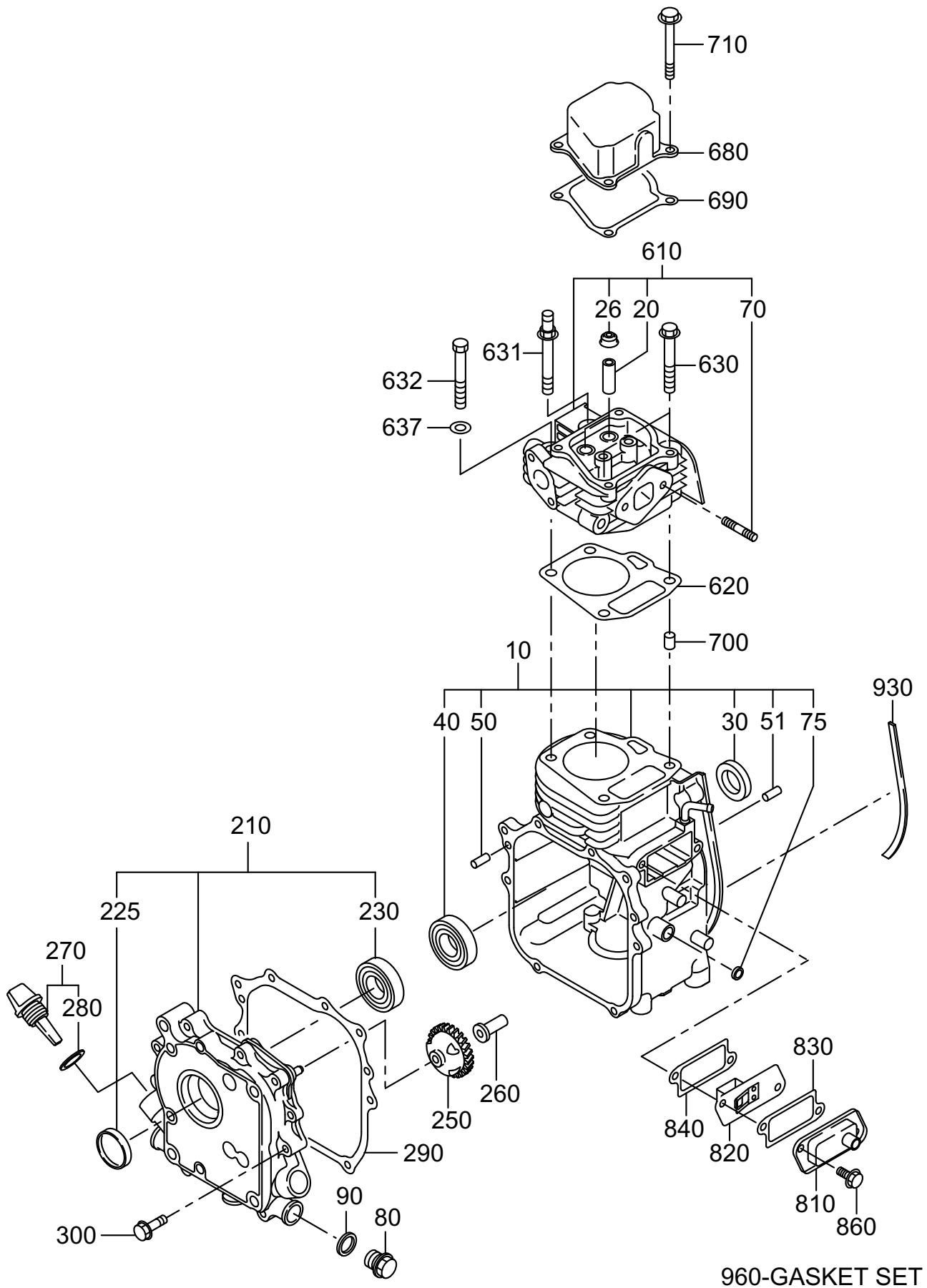


FIG. 205

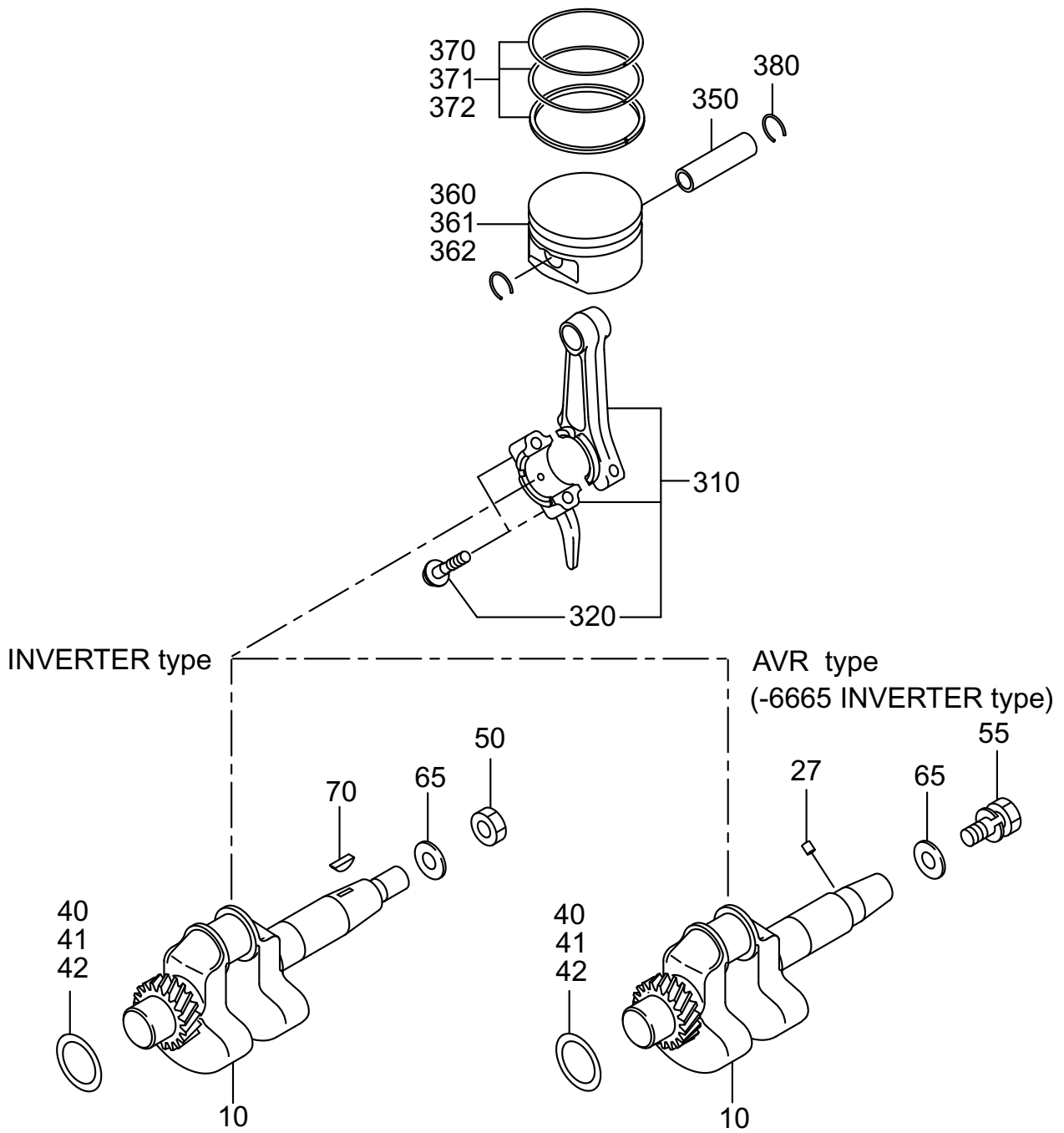


FIG. 305

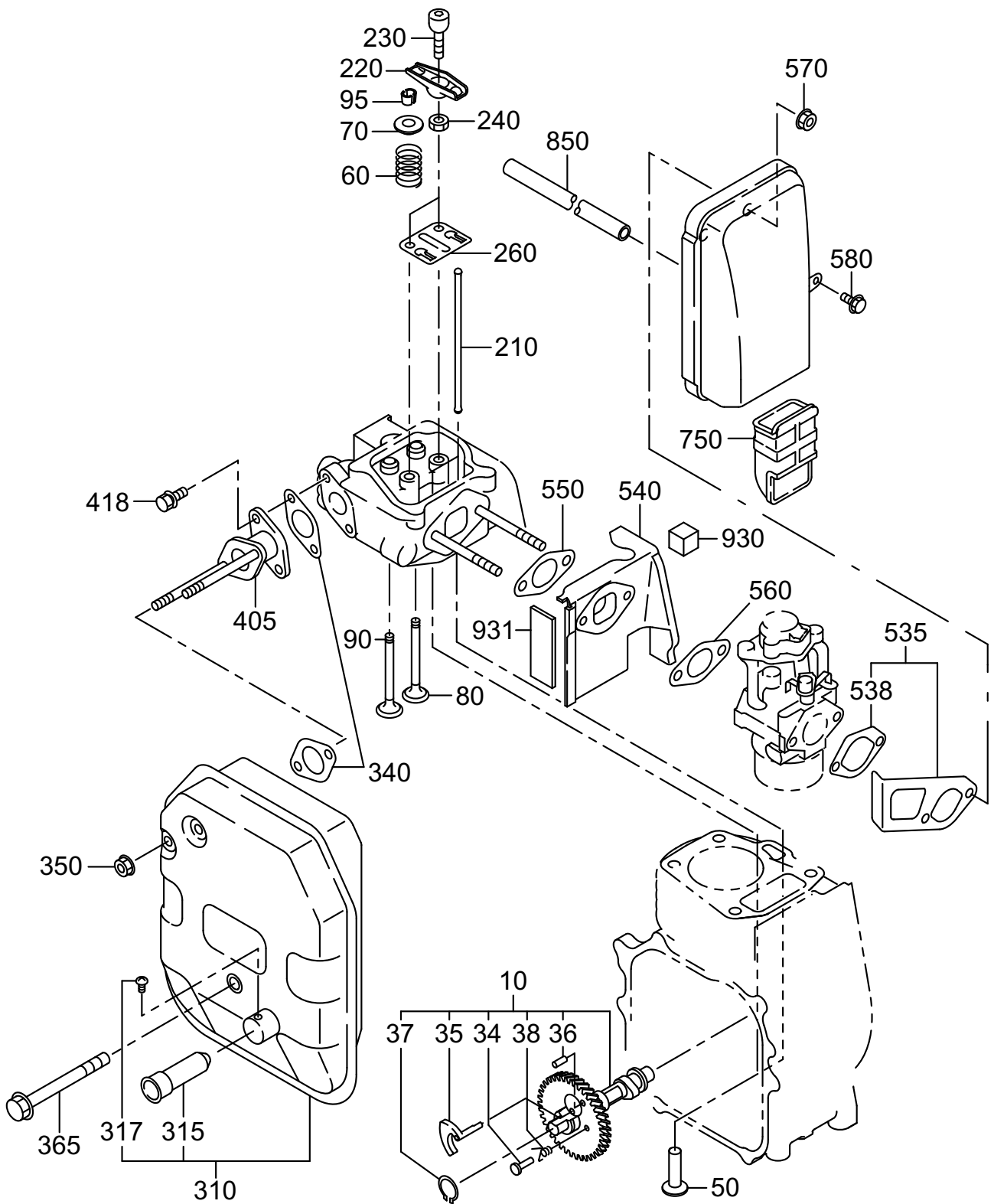


FIG. 317

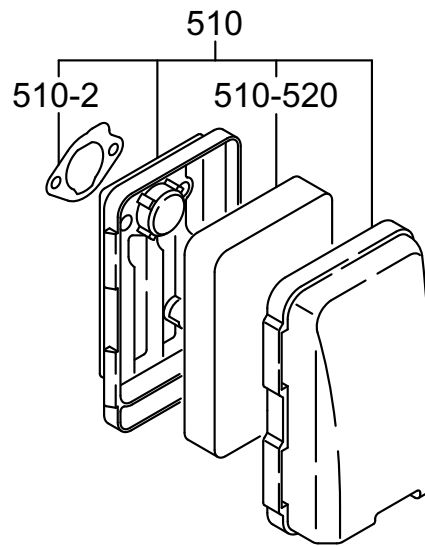


FIG. 405

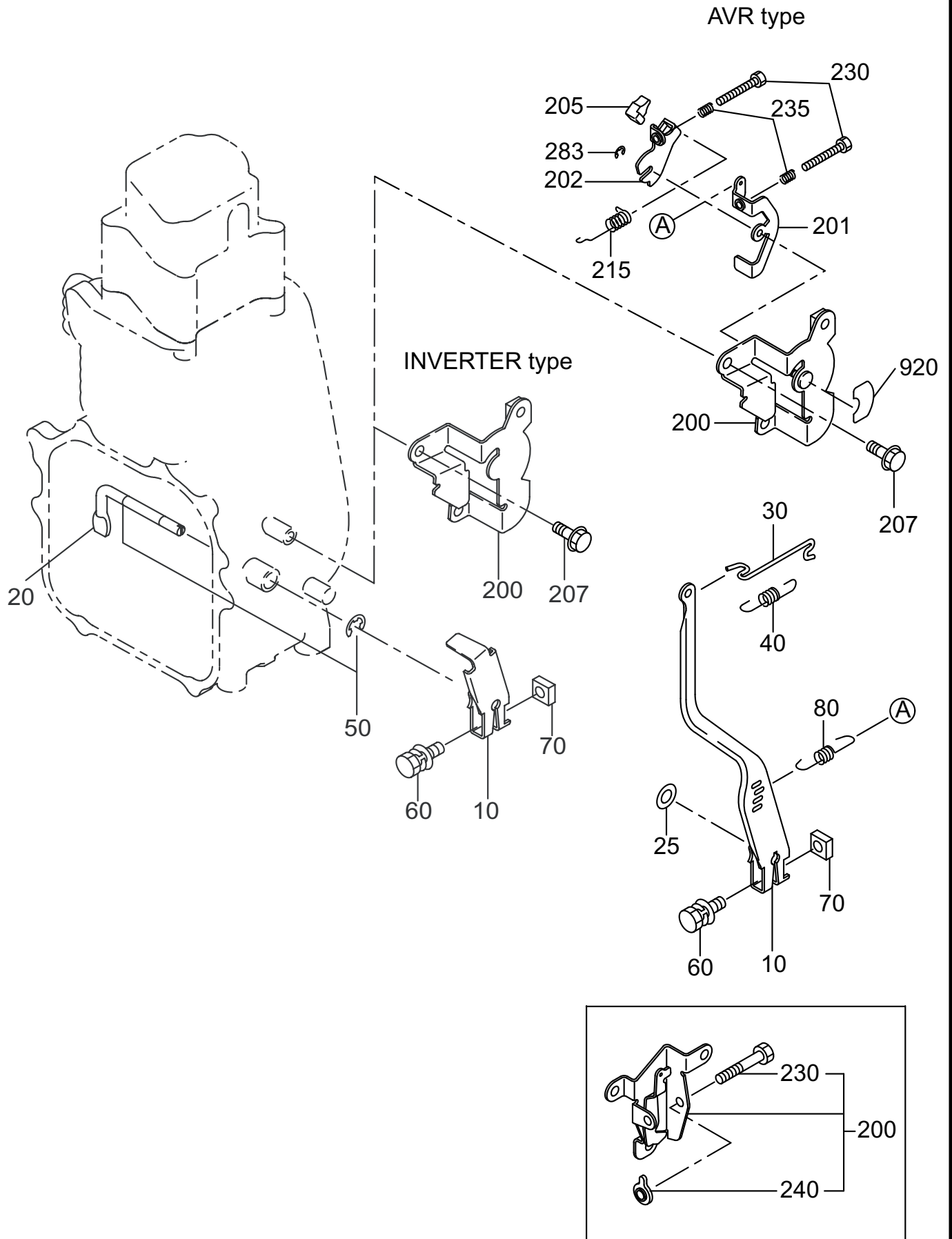


FIG. 505

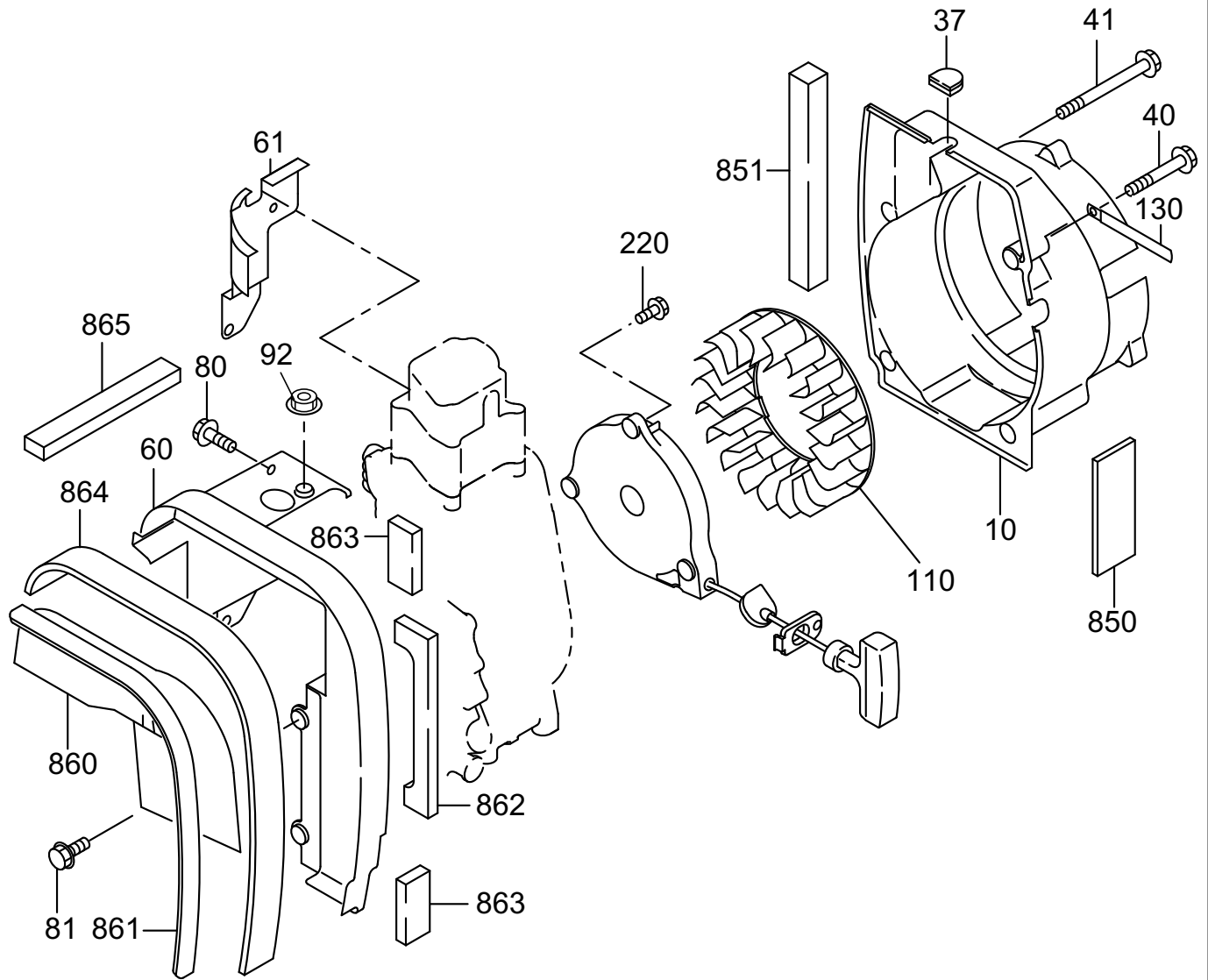


FIG. 525

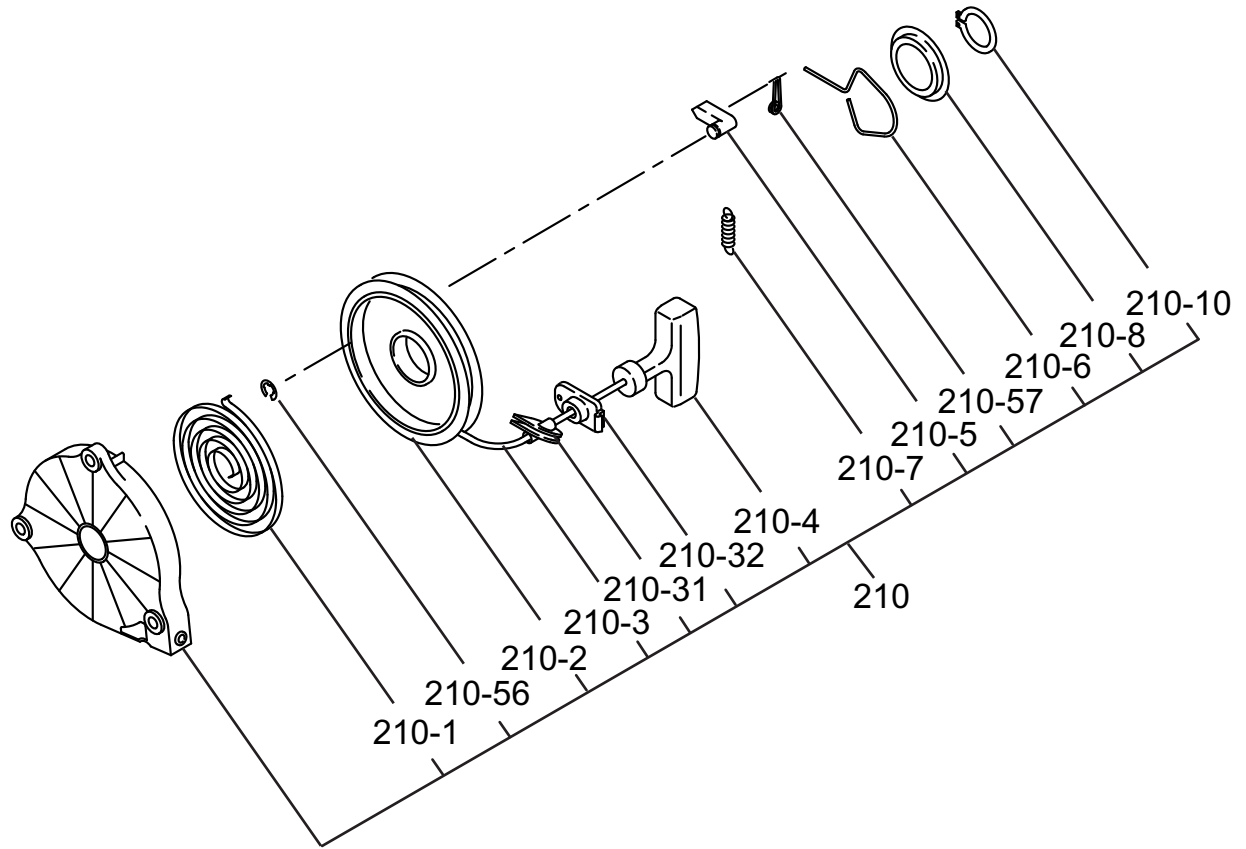


FIG. 605

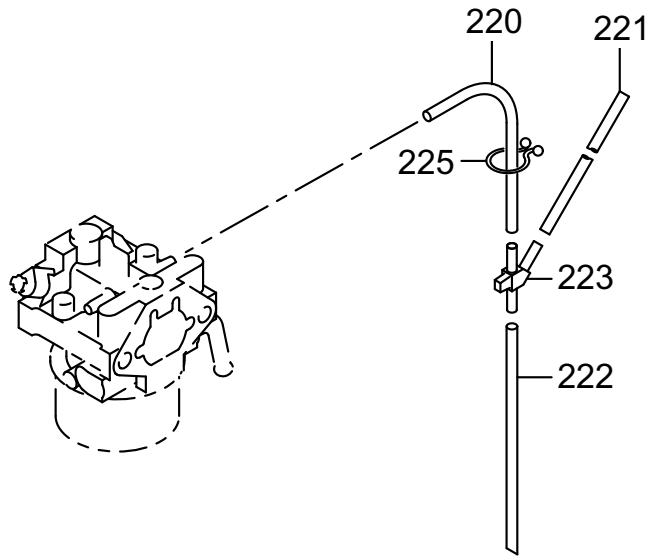


FIG. 642

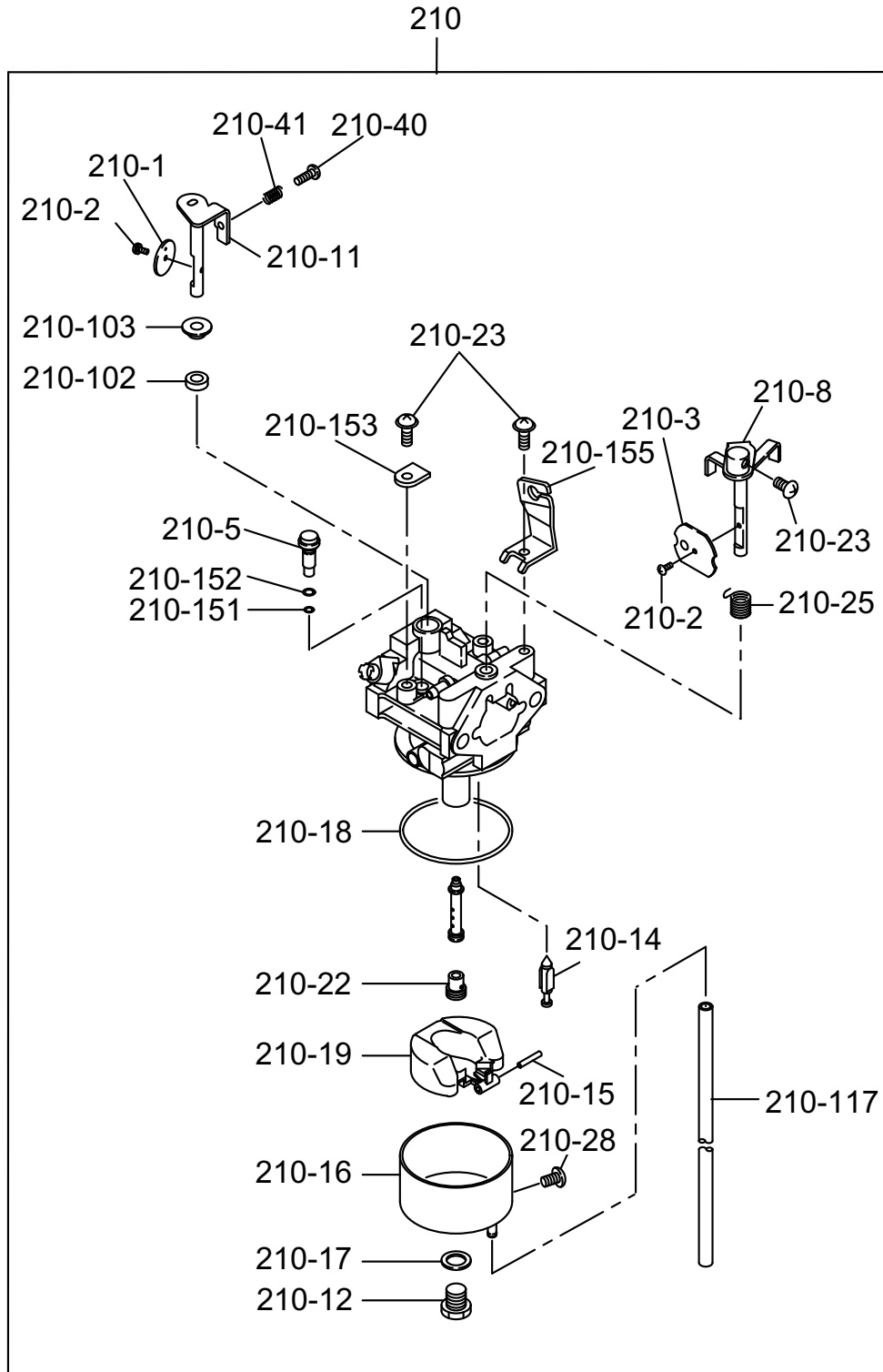


FIG. 705

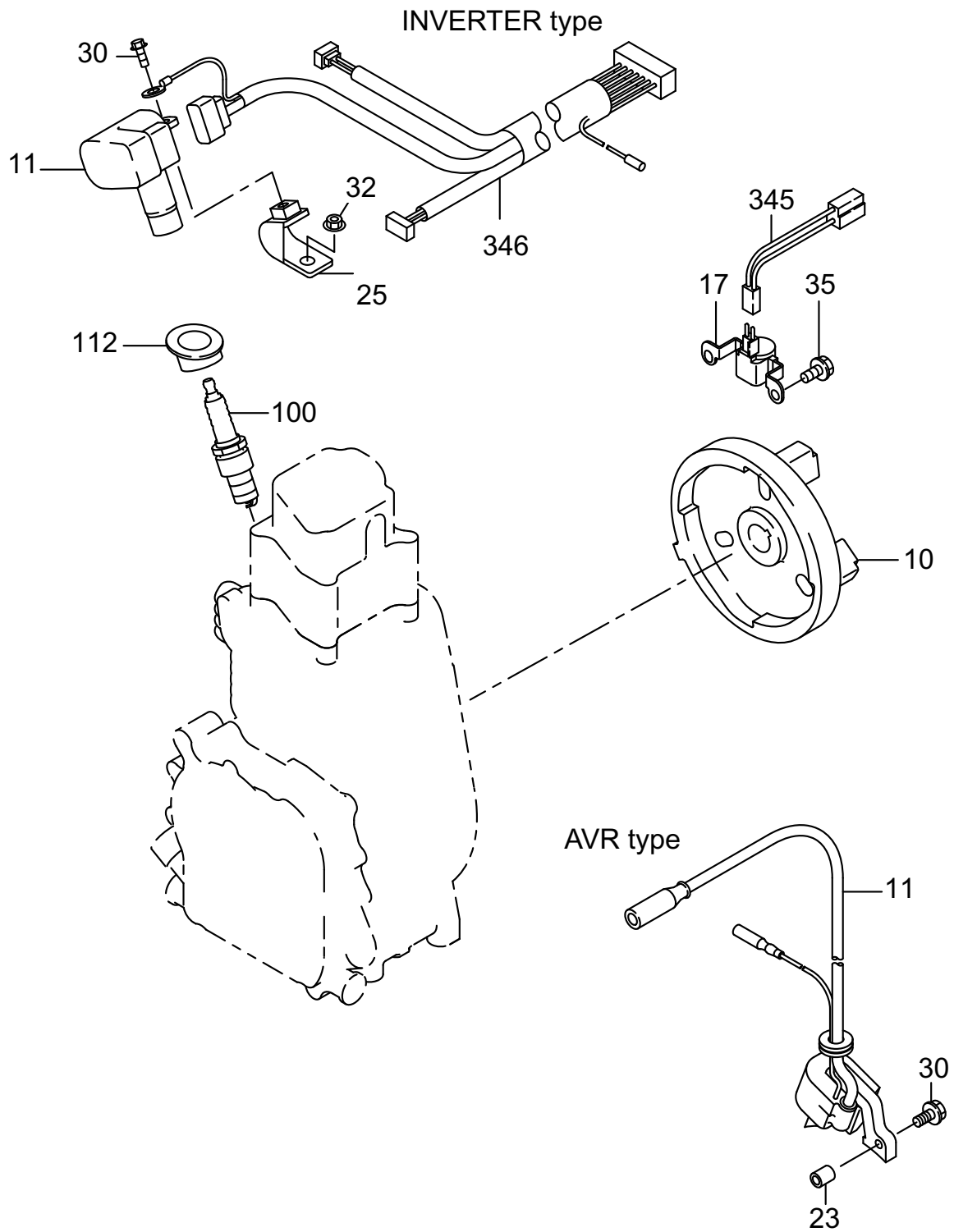


FIG. 775

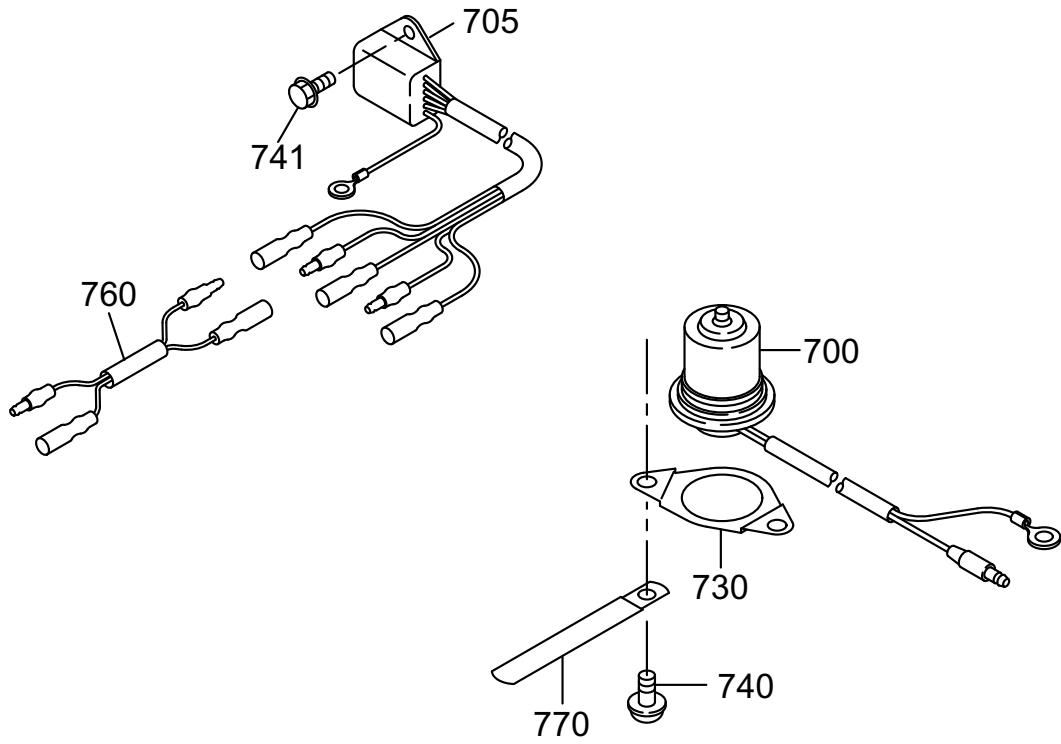


FIG. 2200

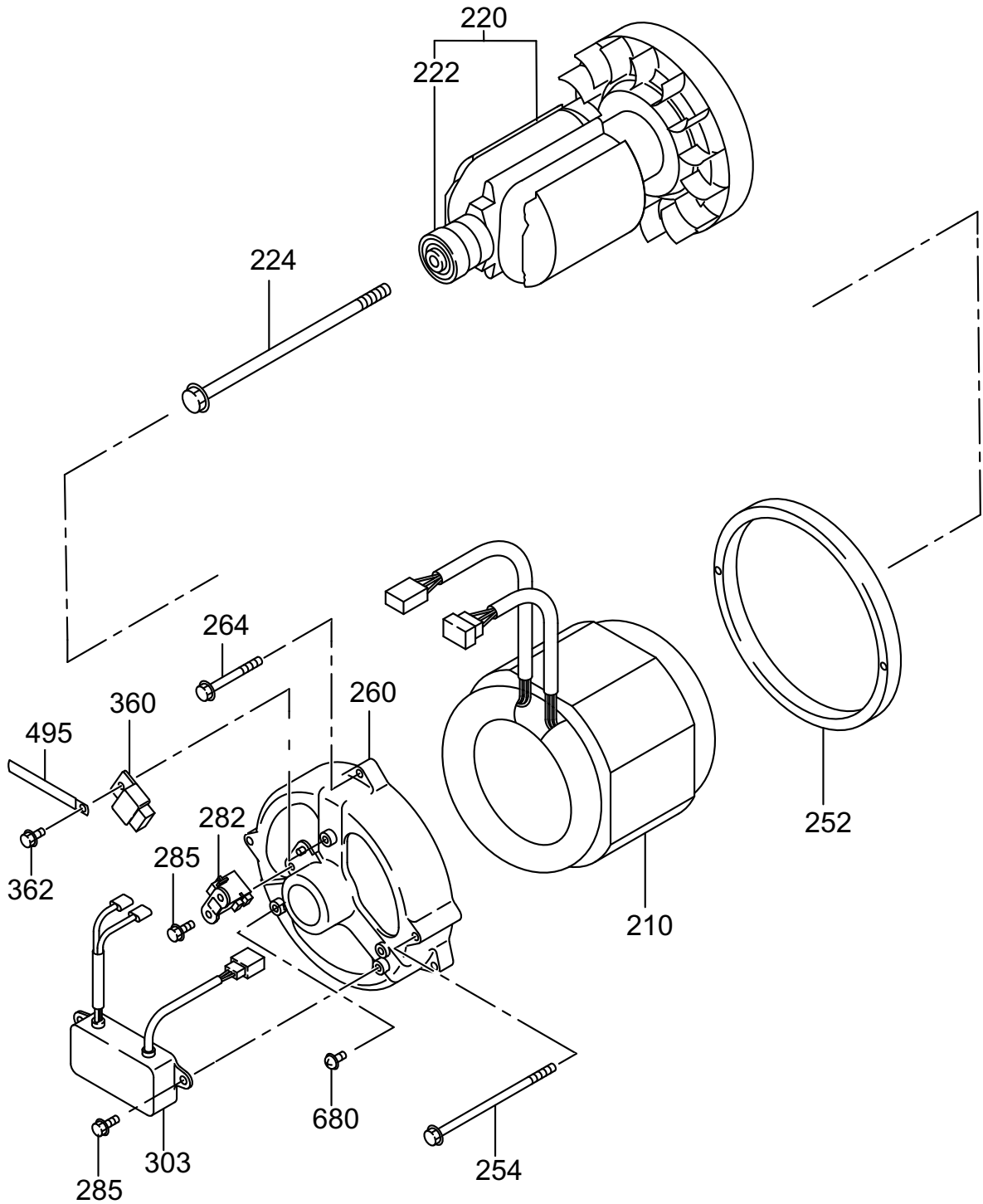


FIG. 2300

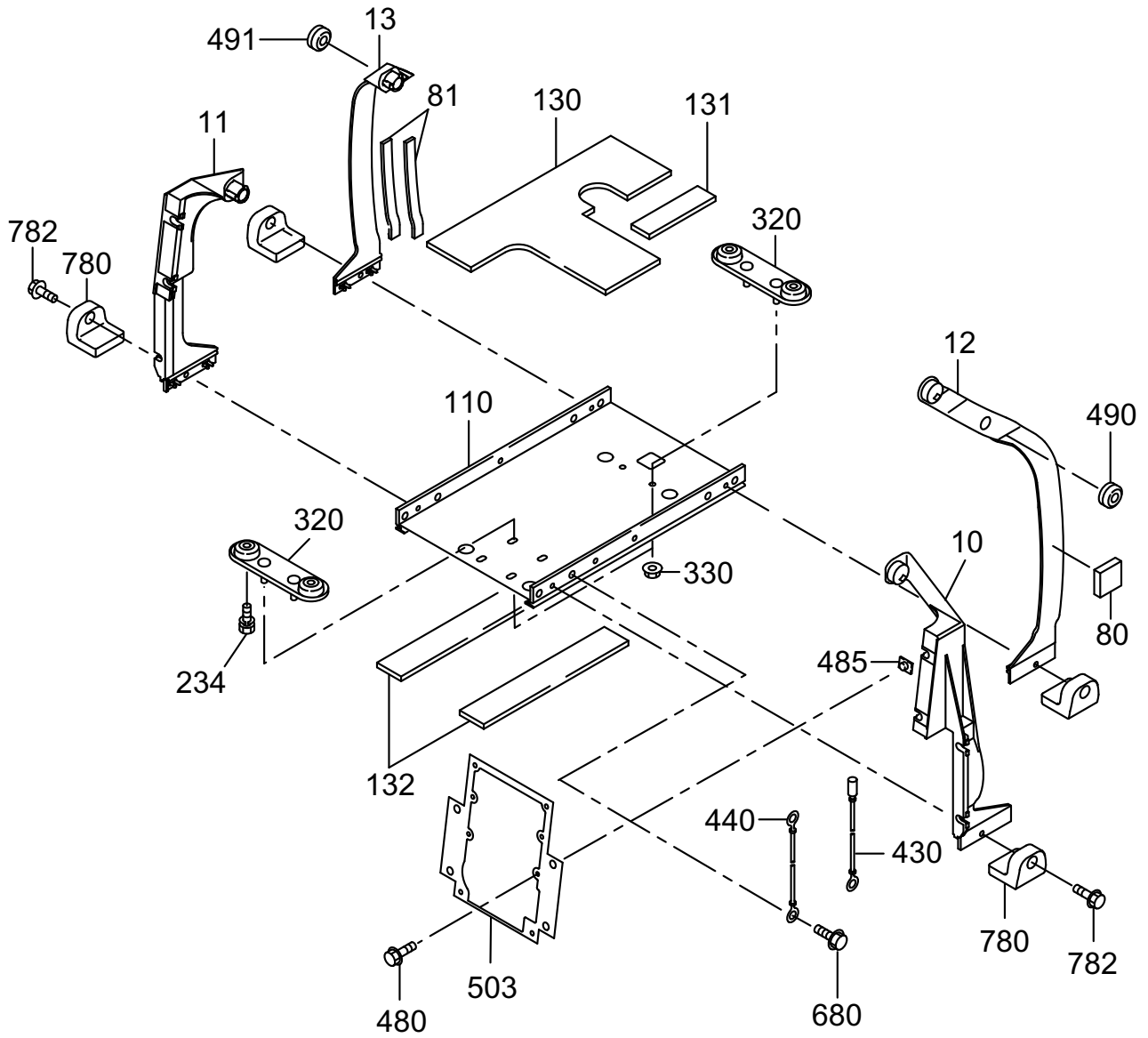
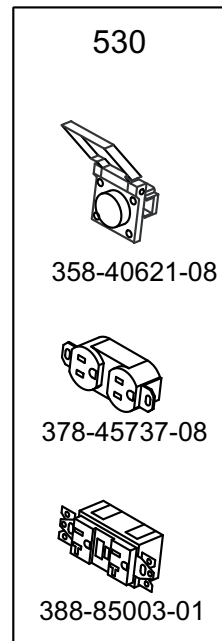
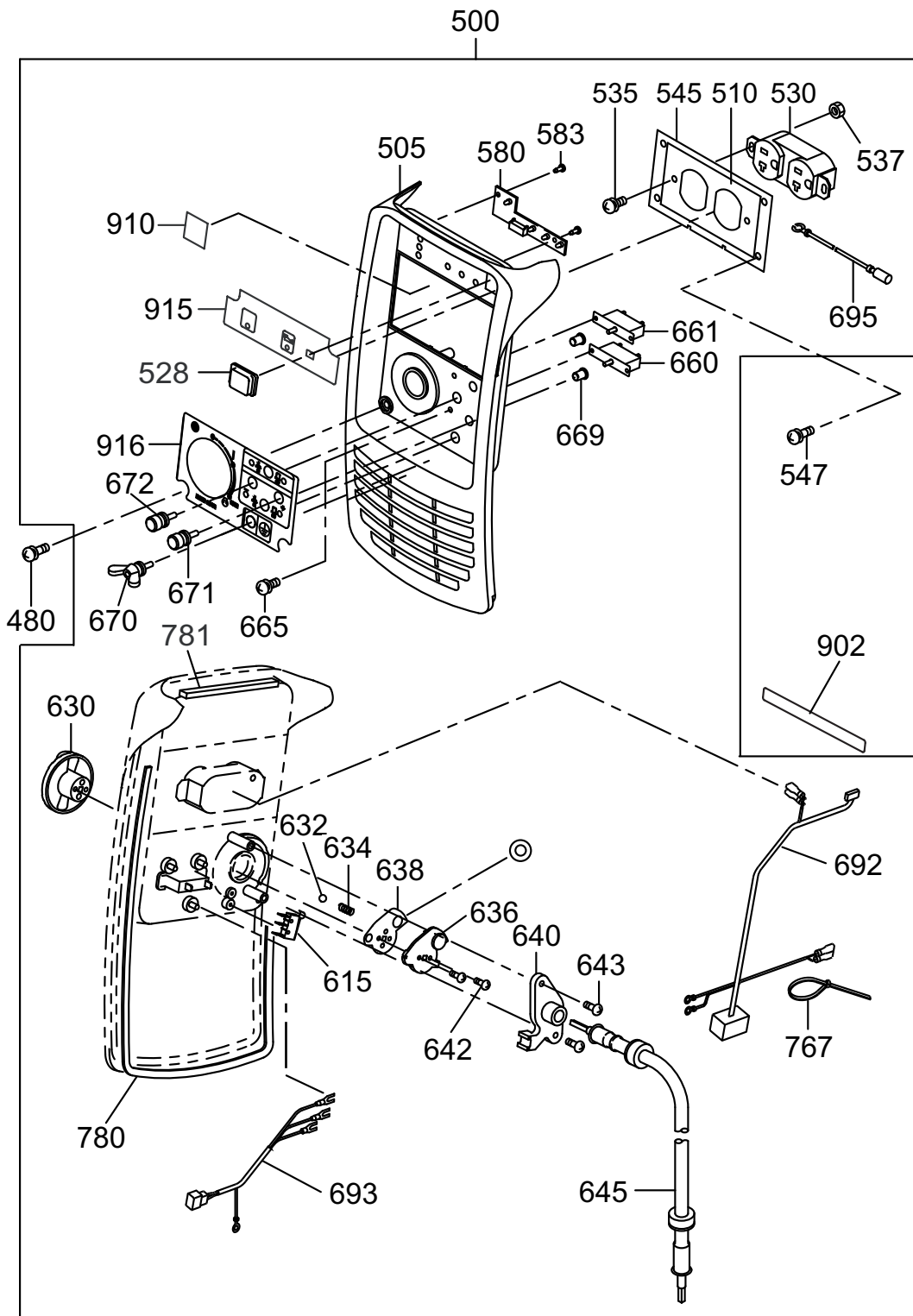


FIG. 2400



24 CONTROL

REF.	PART NUMBER	PART NAME	QTY	R E M A R K S	CODE NO.	INTERCHANGE P/NO.	UNIT P	FIG.
480	014-00501-00	SCREW	4		-			2400
500	33K-40071-80	CONTROL PANEL AY	1		7056-			2400
	33K-40071-50	CONTROL PANEL AY	1		-7055			2400
505	33K-40101-03	FRONT PANEL	1		-			2400
510	33K-41910-13	FILM CONCENT	1		6635-			2400
	33K-41902-03	FILM	1		-6634			2400
528	33K-41810-03	CLEAR PANEL	1		-6483			2400
530	358-40621-08	AC CONCENT (FINLAND)	2	AC250V 16A	-			2400
535	004-36031-20	SCREW AND WASHER AY	8		-			2400
537	002-17030-00	NUT	8		-			2400
545	33K-40703-03	CONSENT BRACKET	1		-			2400
547	013-10400-60	SCREW AND WASHER AY	4		-			2400
580	KD3-11013-31	OIL&RUN INDICATOR CP	1		6788-			2400
	KD3-11013-21	OIL&RUN INDICATOR	1		-6787	KD3-11031-31		2400
583	015-00300-20	TAPPING SCREW	2		-			2400
615	33K-41811-03	MICRO SWITCH	1		-			2400
630	33K-42010-03	CONTROL DIAL	1		-			2400
632	33K-42071-03	BALL(DIAL)	1		-			2400
634	33K-42074-03	SPRING(DIAL)	1		-			2400
636	33K-42020-03	CHOKE REEL	1		-			2400
638	33K-42030-23	PLATE	1		-			2400
640	33K-42040-03	WIRE PLATE	1		-			2400
642	33K-41814-08	TAPPING SCREW	2		-			2400
643	015-00400-70	TAPPING SCREW	2	M4X20L	-			2400
645	33K-42050-11	ROLLING WIRE CP	1		-			2400
647	33K-42080-03	CHOKE BRACKET	1		-			2400
648	011-00600-10	FLANGE BOLT	1	M6X1.0X14DX8L	-			2400
660	33K-41833-03	CIRCUIT BREAKER	1	RED 10A	6663-			2400
	352-45620-08	CIRCUIT PROTECTOR	1		-6662			2400
661	33K-41832-03	CIRCUIT BREAKER	1		-			2400
665	013-10300-10	SCREW AND WASHER AY	4		-			2400
669	33K-41817-03	BREAKER CAP	2		-			2400
670	33K-42090-01	TERMINAL BOLT	1		-			2400
671	363-45701-08	TERMINAL BOLT	1	RED 20A	-			2400
672	363-45700-08	TERMINAL BOLT	1	BLACK 20A	-			2400
692	33K-41826-01	PANEL HARNESS GER CP	1		-			2400
693	33K-41815-01	ENGINE HARNESS CP	1		-			2400
710	33K-42060-21	CHOKE WIRE CP	1		-			2400
767	056-30000-20	WIRE BAND	1	2.5BX1.2TX100L	-			2400
780	33K-58411-03	SEAL SPONGE F	1		-			2400

FIG. 2400

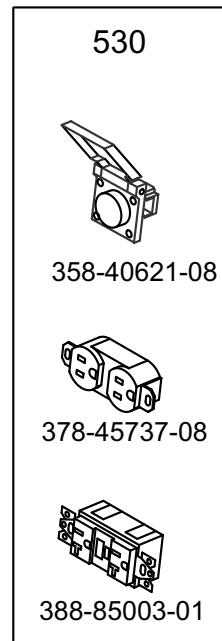
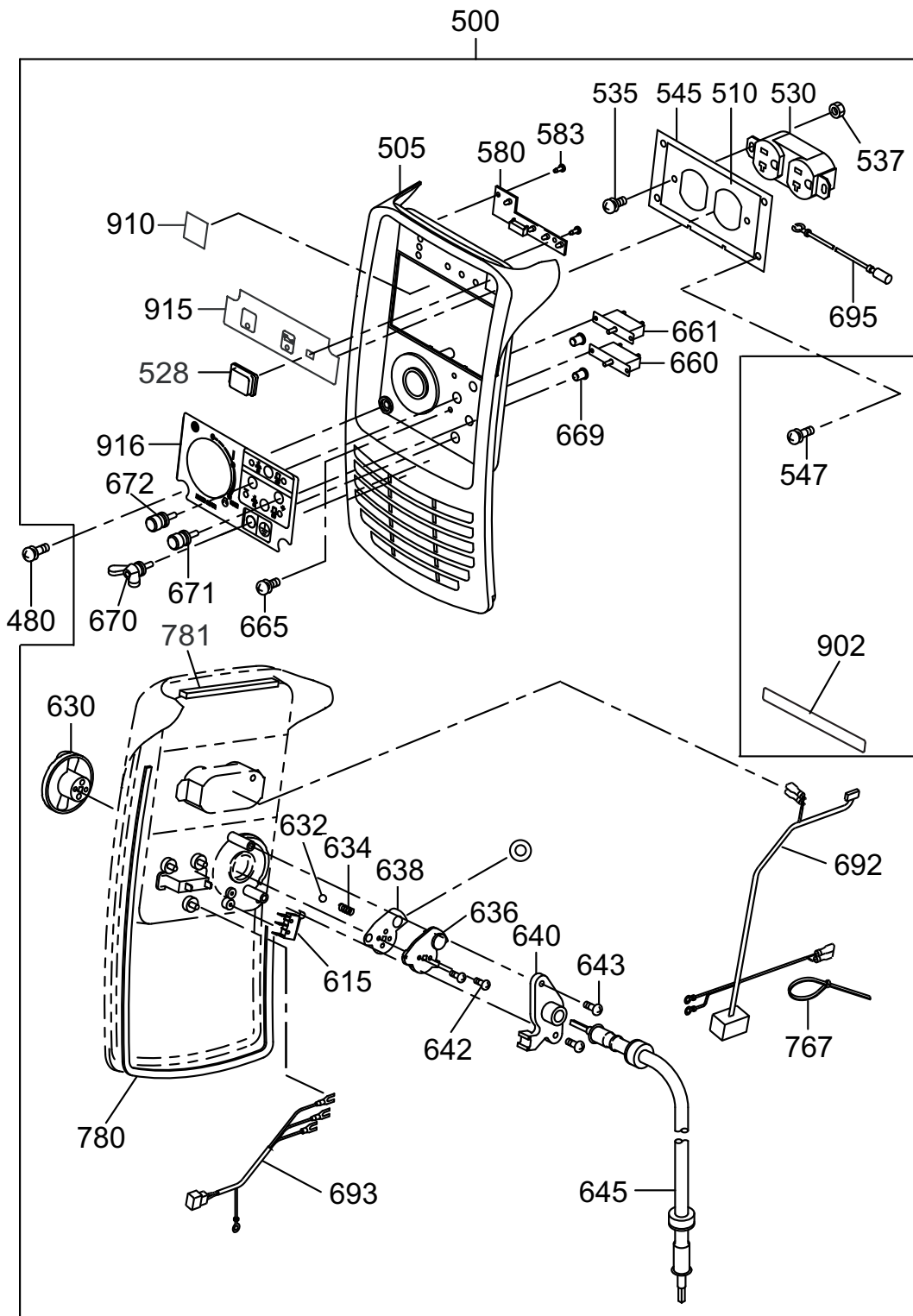
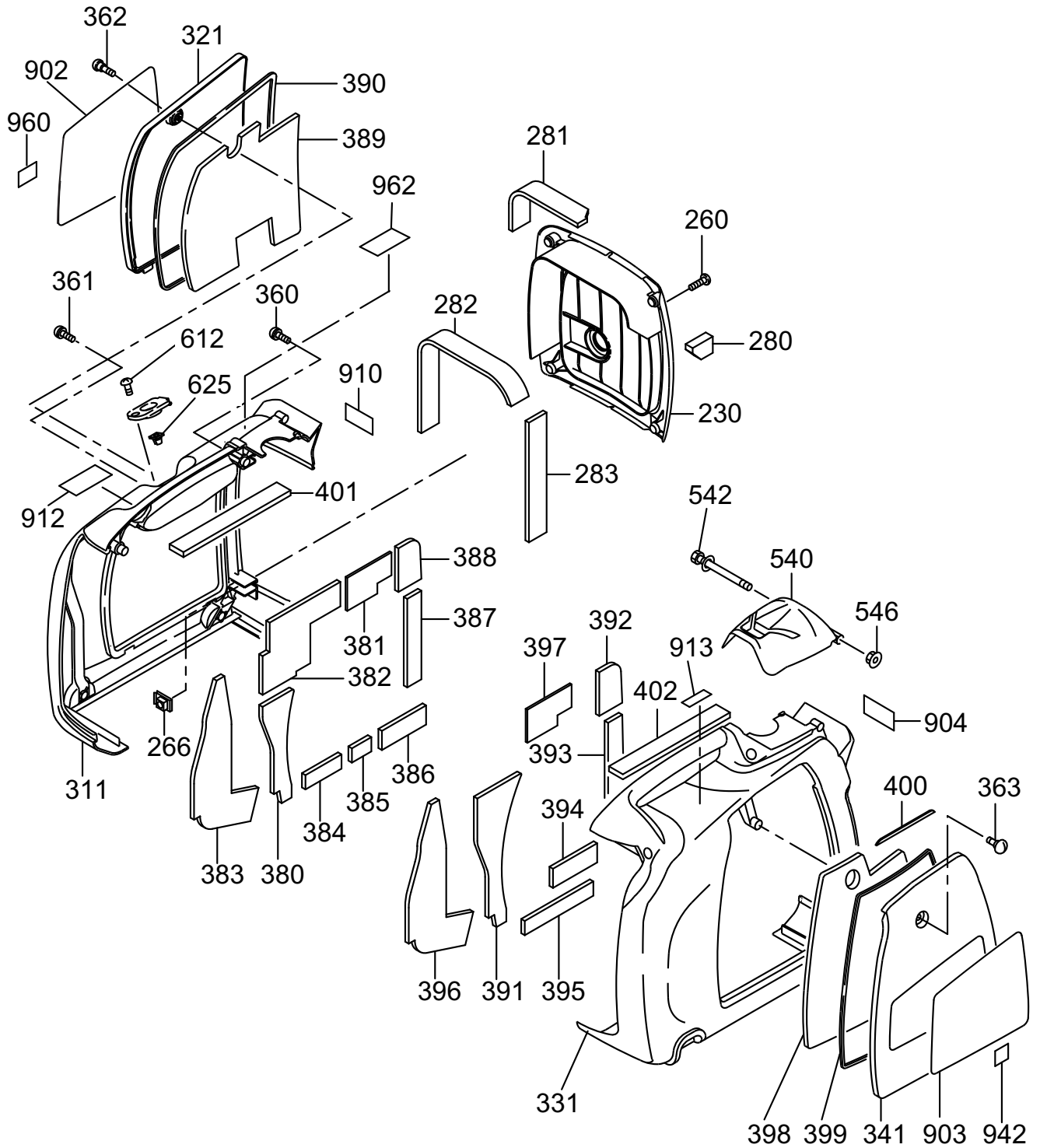


FIG. 2500



25 COVER

REF.	PART NUMBER	PART NAME	QTY	R E M A R K S	CODE NO.	INTERCHANGE P/NO.	UNIT P	FIG.
230	33K-50201-03	REAR COVER	1	BLACK	-			2500
260	013-10600-30	SCREW AND WASHER AY	4		-			2500
266	33K-50205-01	NUT CP	4		-			2500
280	33K-58318-13	R-COVER SPONGE 1	2		-			2500
281	33K-58319-13	R-COVER SPONGE 2	1		-			2500
282	33K-58322-03	R-COVER SPONGE 3	1		-			2500
283	33K-58324-03	R-COVER SPONGE 4	1		-			2500
311	33K-50301-13	CASE BODY L	1		-			2500
321	33K-50311-03	SIDE PANEL L	1		-			2500
331	33K-50401-13	CASE BODY R	1		-			2500
341	33K-50411-03	SIDE PANEL R	1		-			2500
360	004-36062-50	SCREW AND WASHER AY	2	M6X1.0X25L W/W, SW	-			2500
361	004-36062-00	SCREW AND WASHER AY	1	M6X1.0X20L W/W, SW	-			2500
362	33K-50501-03	BOLT(PANEL)	1		-			2500
363	33K-50501-03	BOLT(PANEL)	1		-			2500
380	33K-58301-03	SPONGE CASE L	1		-			2500
381	33K-58307-03	SPONGE CASE L 5	1		-			2500
382	33K-58305-03	SPONGE CASE L 3	1		-			2500
383	33K-58304-03	SPONGE CASE L 2	1		-			2500
384	33K-58308-03	SPONGE CASE L 6	1		-			2500
385	33K-58309-03	SPONGE CASE L 7	1		-			2500
386	33K-58408-03	SPONGE CASE R 6	1		-			2500
387	33K-58409-03	SPONGE CASE R 7	1		-			2500
388	33K-58306-03	SPONGE CASE L 4	1		-			2500
389	33K-58302-03	SPONGE PANEL L	1		-			2500
390	33K-58303-03	SEAL SPONGE L	1		-			2500
391	33K-58401-03	SPONGE CASE R	1		-			2500
392	33K-58406-03	SPONGE CASE R 4	1		-			2500
393	33K-58409-03	SPONGE CASE R 7	1		-			2500
394	33K-58408-03	SPONGE CASE R 6	1		-			2500
395	33K-58407-03	SPONGE CASE R 5	1		-			2500
396	33K-58404-03	SPONGE CASE R 2	1		-			2500
397	33K-58405-03	SPONGE CASE R 3	1		-			2500
398	33K-58402-03	SPONGE PANEL R	1		-			2500
399	33K-58403-03	SEAL SPONGE R	1		-			2500
400	33K-58410-03	SEAL SPONGE R 2	1		-			2500
401	33K-58417-03	SEAL SPONGE(C. BODY)	1		7056-			2500
402	33K-58417-03	SEAL SPONGE(C. BODY)	1		7056-			2500
540	33K-55001-13	TANK CAP COVER	1		-			2500
542	013-10400-91	SCREW AND WASHER AY	1		-			2500

FIG. 2500

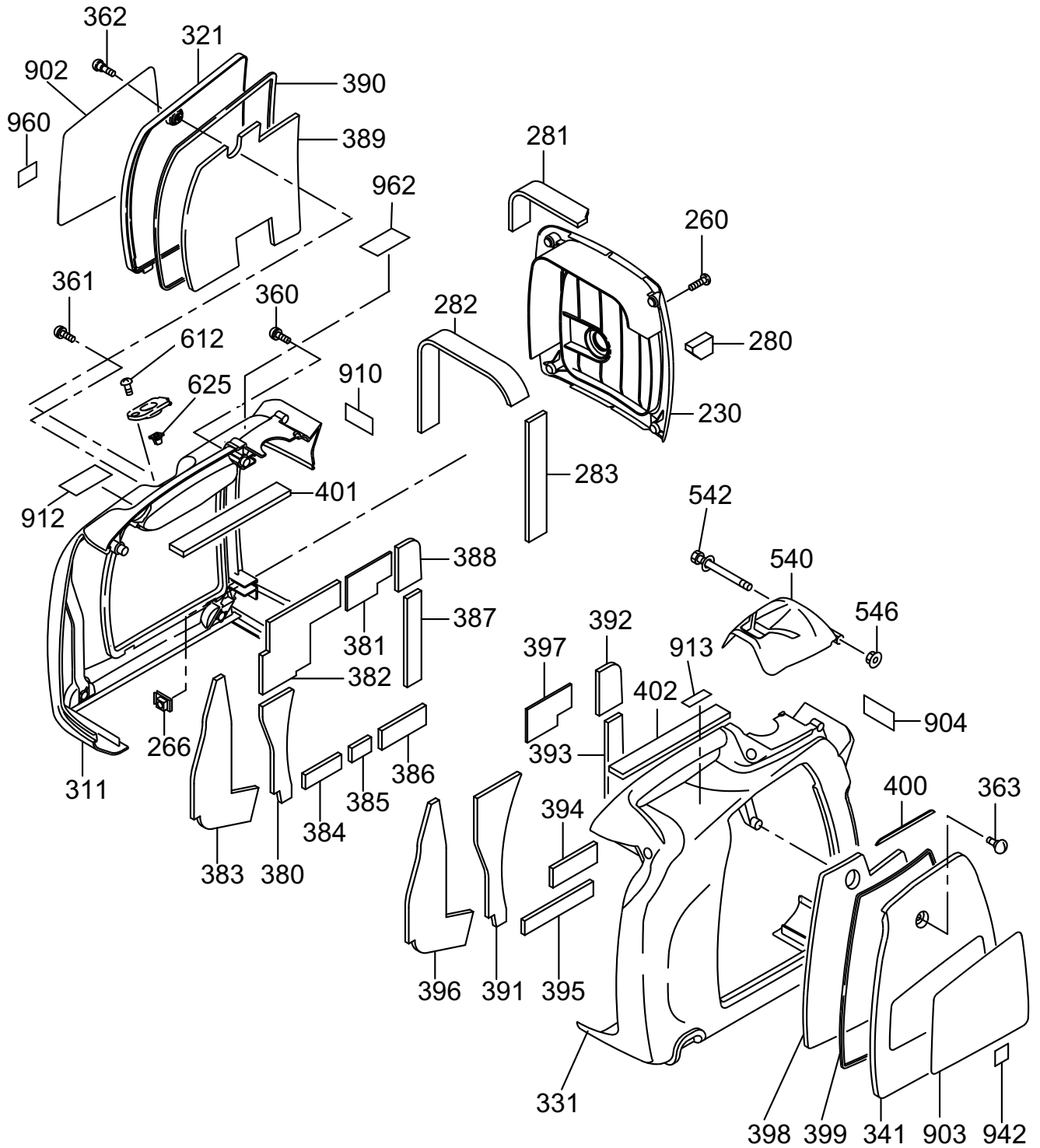


FIG. 2600

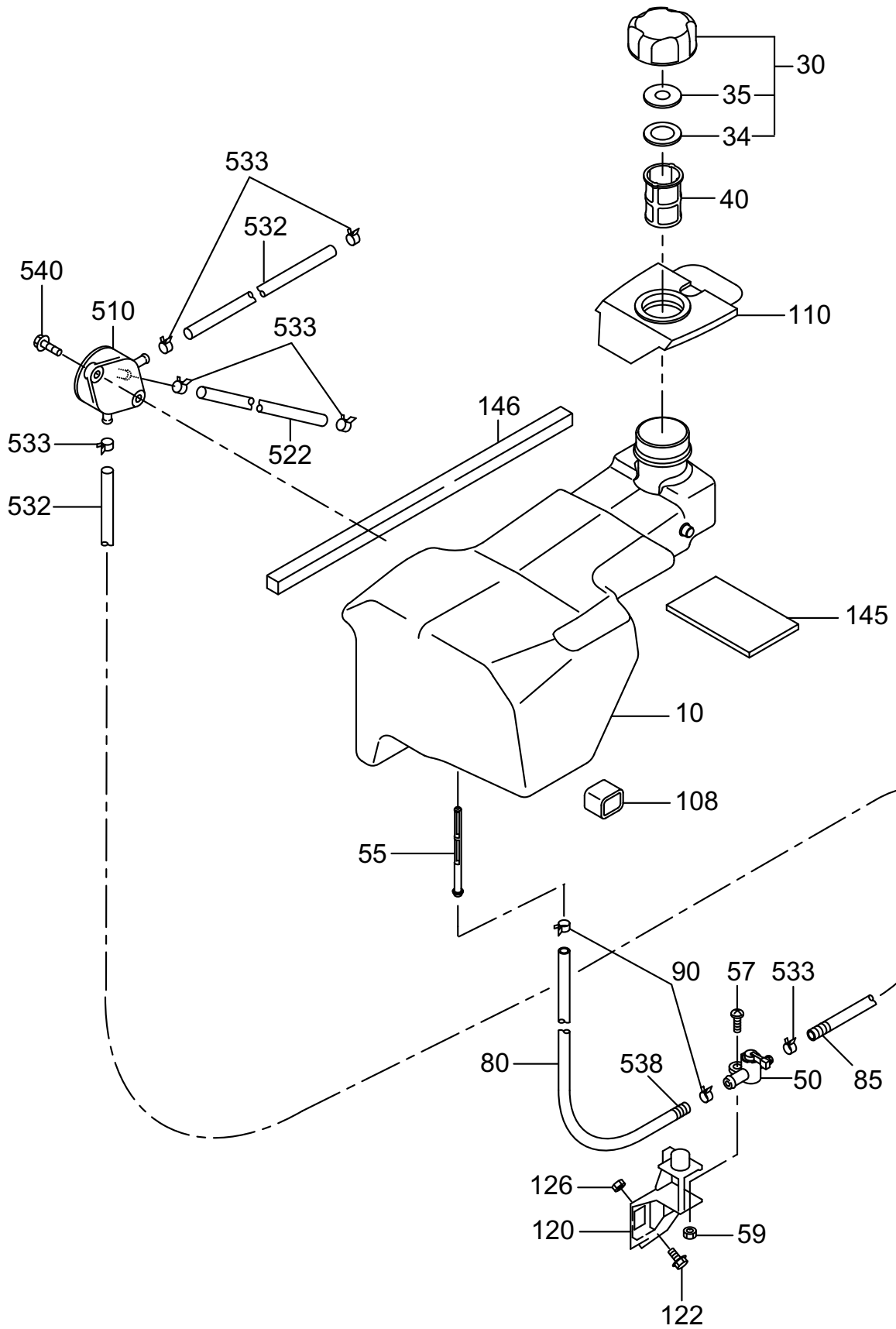


FIG. 2900

