
Model **R1100**

PARTS CATALOG

Spec. No. **RGS17023060**
(E/G Spec.No. **EH092DN8130**)

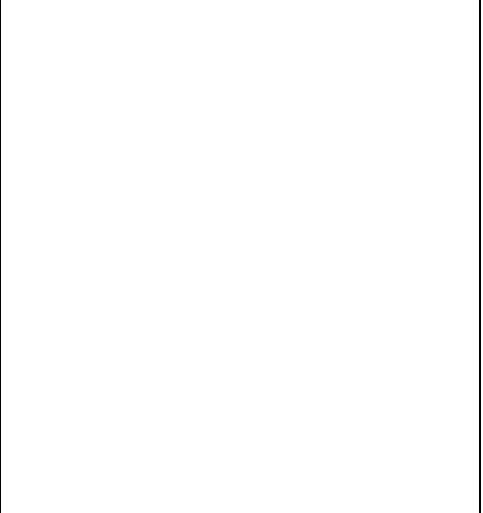
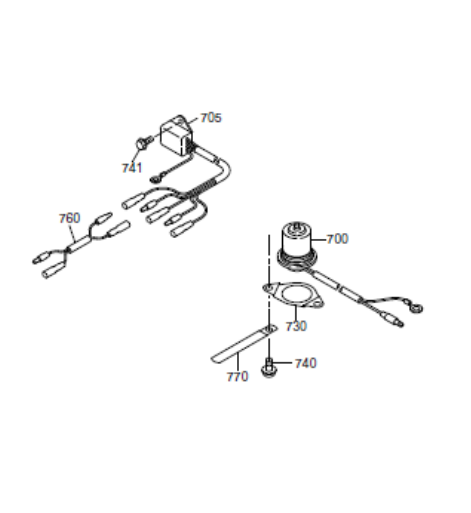
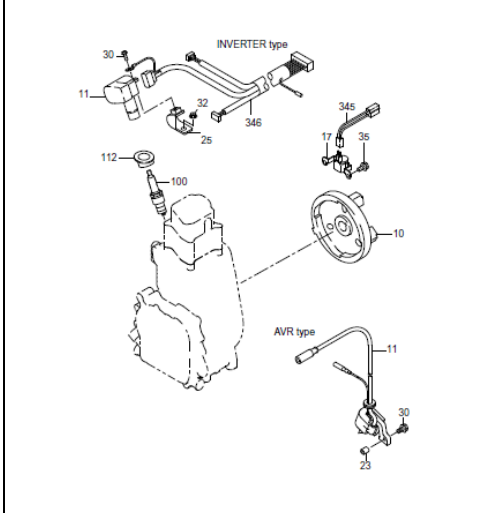
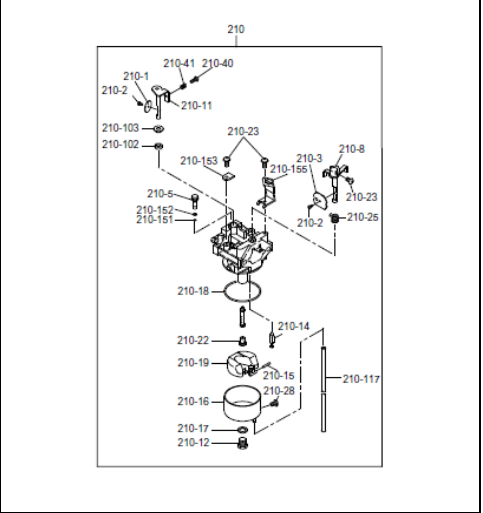
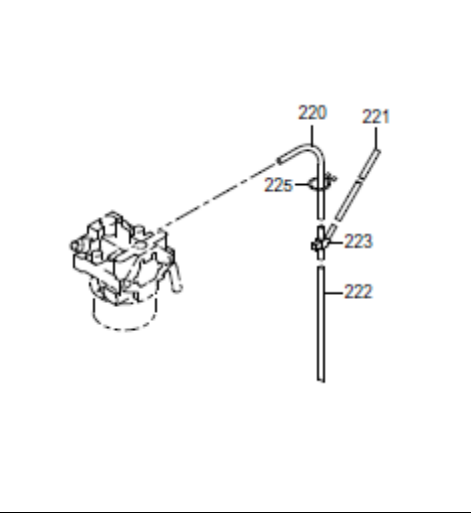
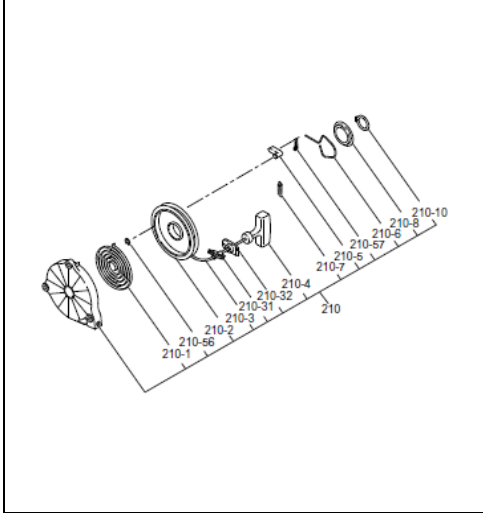
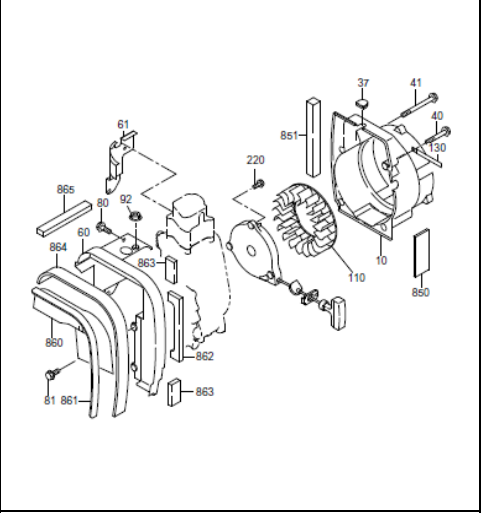
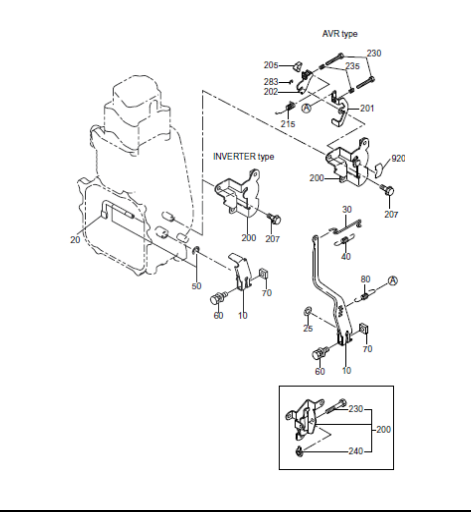
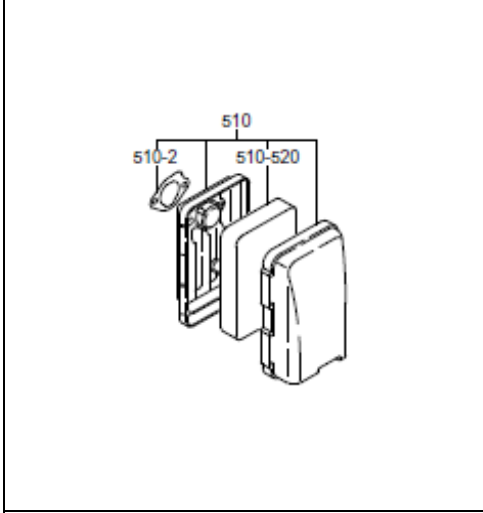
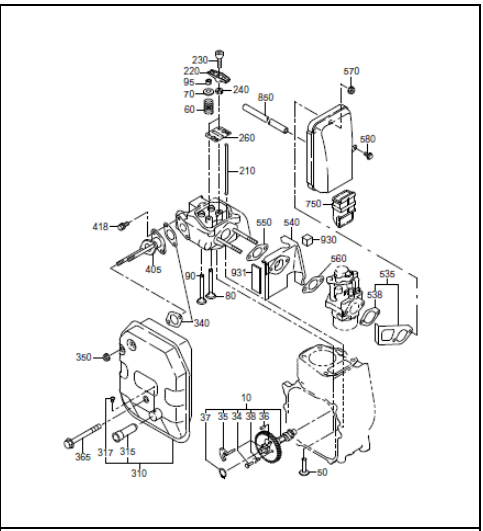
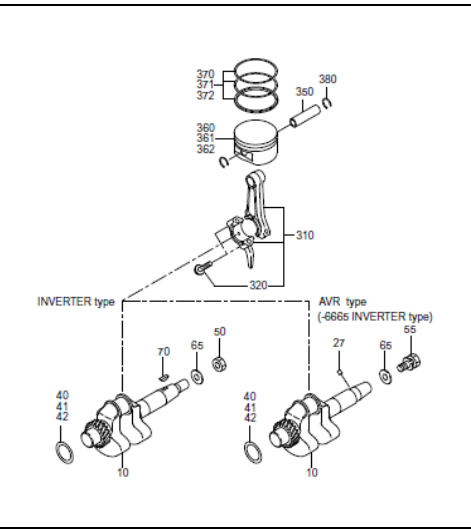
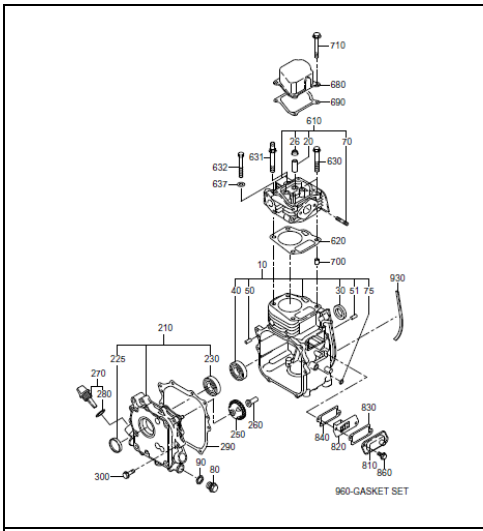
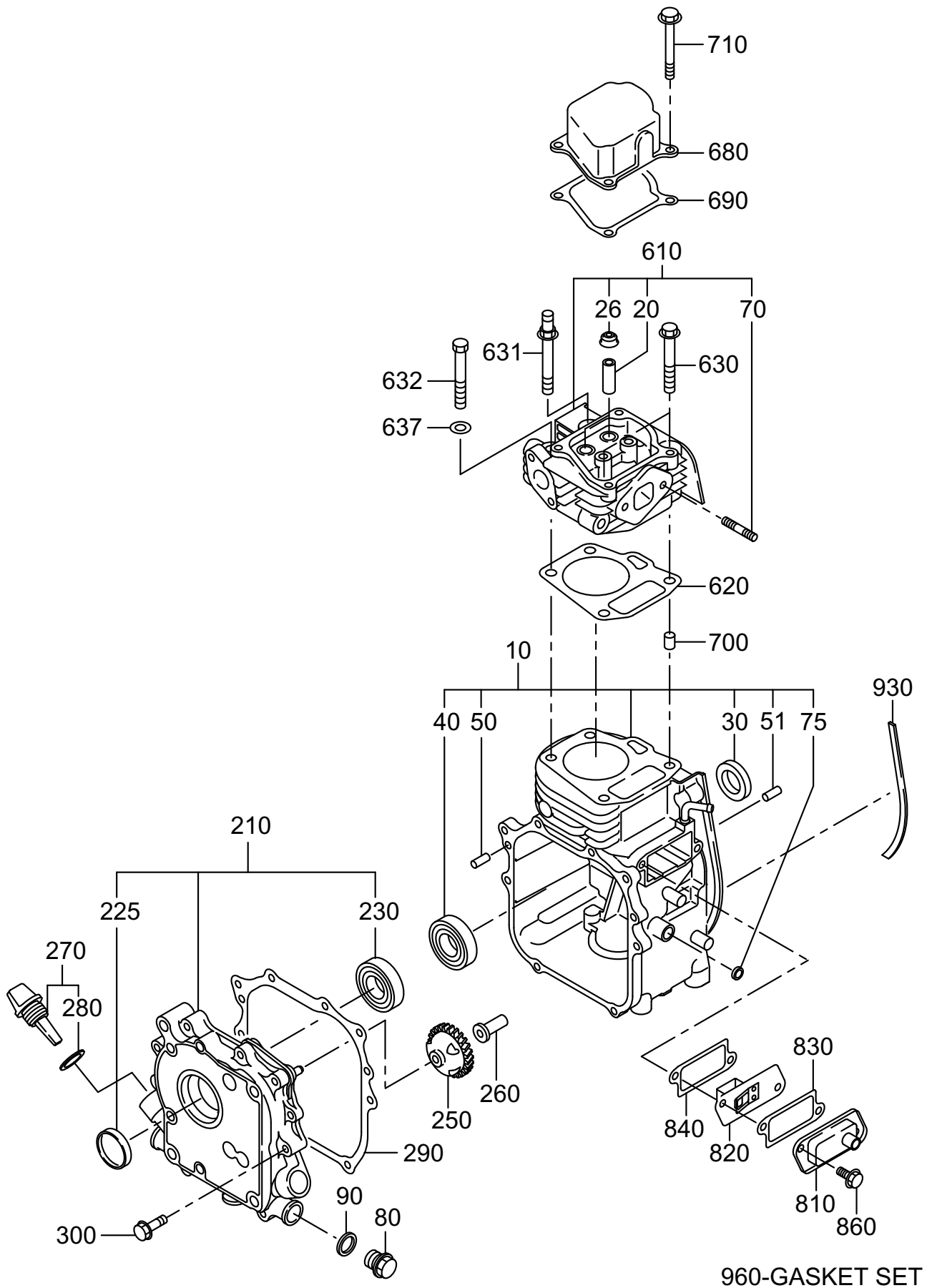


FIG. 105



1 CRANKCASE

REF.	PART NUMBER	PART NAME	QTY	R E M A R K S	CODE NO.	INTERCHANGE P/NO.	UNIT P	FIG.
10	284-10103-11	CRANKCASE CP	1		6880-			105
	284-10103-01	CRANKCASE CP	1		-6879	284-10103-11		105
20	237-14202-03	VALVE GUIDE	2	5.5DX9.5DX27L	-			105
26	277-16010-01	STEM SEAL	1	5.5DX9.5DX15DX7.8B	-			105
30	044-02000-70	OIL SEAL	1	20DX32DX6B	-			105
40	060-02001-40	BALL BEARING	1	20DX42DX12B	-			105
50	031-00600-20	DOWEL PIN	2	6DX14.5L	-			105
51	277-15011-03	PIPE KNOCK	2	10.3DX8.5DX14L	-			105
70	010-50604-20	STUD	2	M6X1.0X84L	-			105
75	044-00600-20	OIL SEAL	1	6DX10DX2.5B	-			105
80	040-11400-30	PLUG	1	M14X1.5X20DX12L	-			105
90	021-11400-20	GASKET	1	14.1DX19DX2.3T	-			105
210	284-11201-21	MAINBEARING COVER CP	1		-			105
225	230-17102-03	PLUG (RUBBER)	1	32DX5T	-			105
230	060-02001-40	BALL BEARING	1	20DX42DX12B	-			105
250	284-45003-01	GOVERNOR GEAR CP	1	44DX20T N=26	-			105
260	205-41901-03	GOVERNOR SLEEVE	1	6DX9DX16DX26L	-			105
270	230-63601-11	OIL GAUGE CP	1	M18X1.5 L=38+18	-			105
280	021-31600-20	GASKET	1	16DX23DX1.2T RUBBER	-	X21-31600-20		105
290	284-16003-03	GASKET(BEARING COVER)	1	T=0.3	-			105
300	011-00601-01	FLANGE BOLT	8	M6X1.0X13DX28L	-			105
610	284-13003-11	CYLINDER HEAD CP	1		6972-			105
	284-13003-01	CYLINDER HEAD CP	1		-6971			105
620	284-15001-13	GASKET (HEAD)	1	T=0.2	-			105
630	011-00802-10	FLANGE BOLT	2	M8X1.25X16DX55L	-			105
631	011-00803-01	FLANGE BOLT	1		-			105
632	010-00804-20	BOLT	1	M8X1.25X60L	-			105
637	020-00802-10	WASHER	1	8.5DX17DX3.2T	-			105
680	284-15501-03	ROCKER COVER	1		-			105
690	284-16007-03	GASKET(ROCKER COVER)	1	T=0.5	7396-			105
	284-16004-03	GASKET(ROCKER COVER)	1	T=0.7	-7395	284-16007-03		105
700	277-15011-03	PIPE KNOCK	2	10.3DX8.5DX14L	-			105
710	011-00604-20	FLANGE BOLT	4		-			105
810	284-14301-01	BREATHER COVER CP	1		-			105
820	284-14401-01	BREATHER PLATE CP	1		-			105
830	230-16006-13	GASKET(TAPPET COVER)	1	T=0.8	-			105
840	230-16007-03	GASKET (BREATHER)	1	T=2	-			105
860	011-00600-20	FLANGE BOLT	2	M6X1.0X14DX12L	-			105
930	33K-58317-03	SPONGE CRANK	1		-			105
960	284-99002-17	GASKET SET	1		-			105

FIG. 205

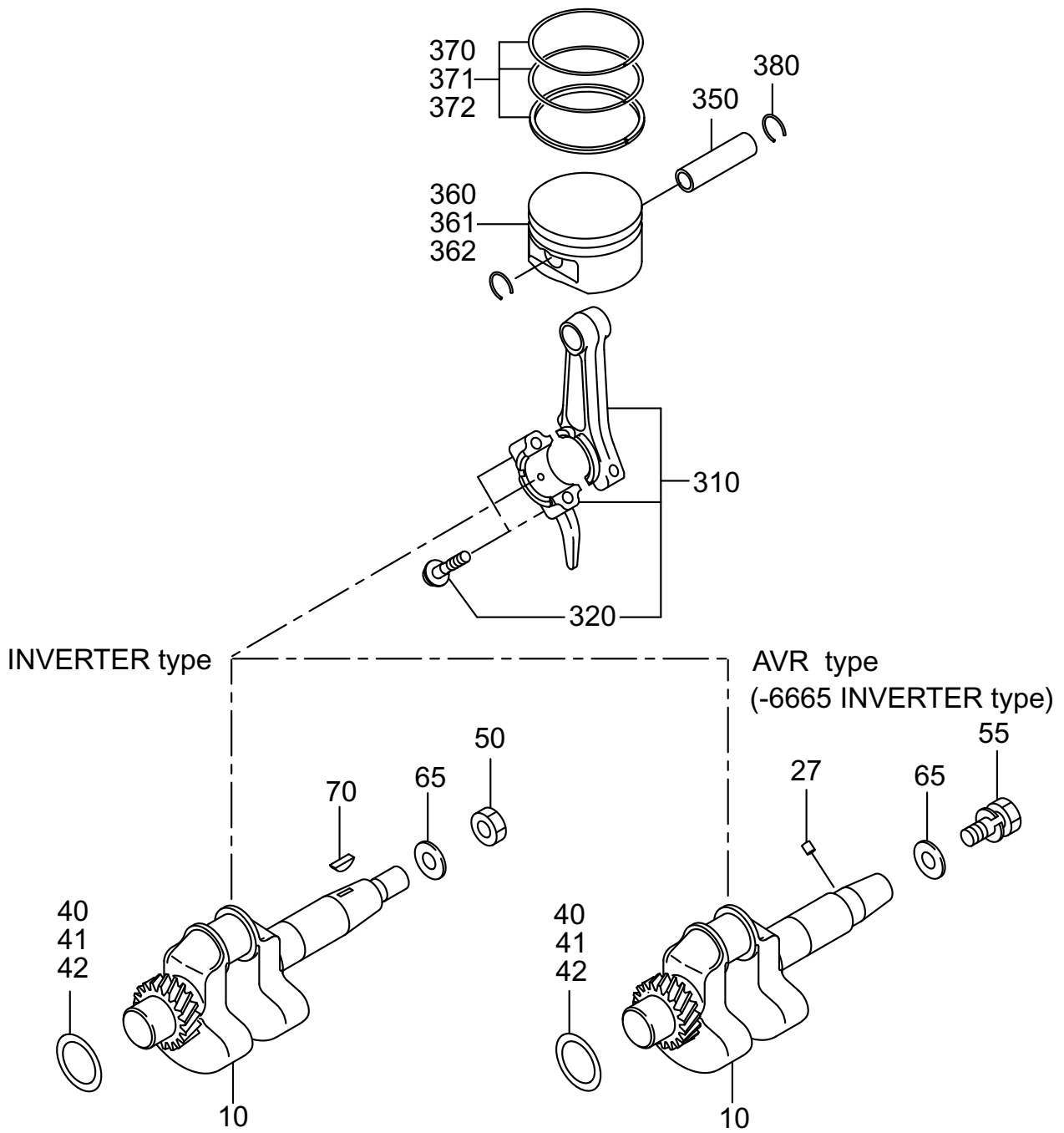


FIG. 305

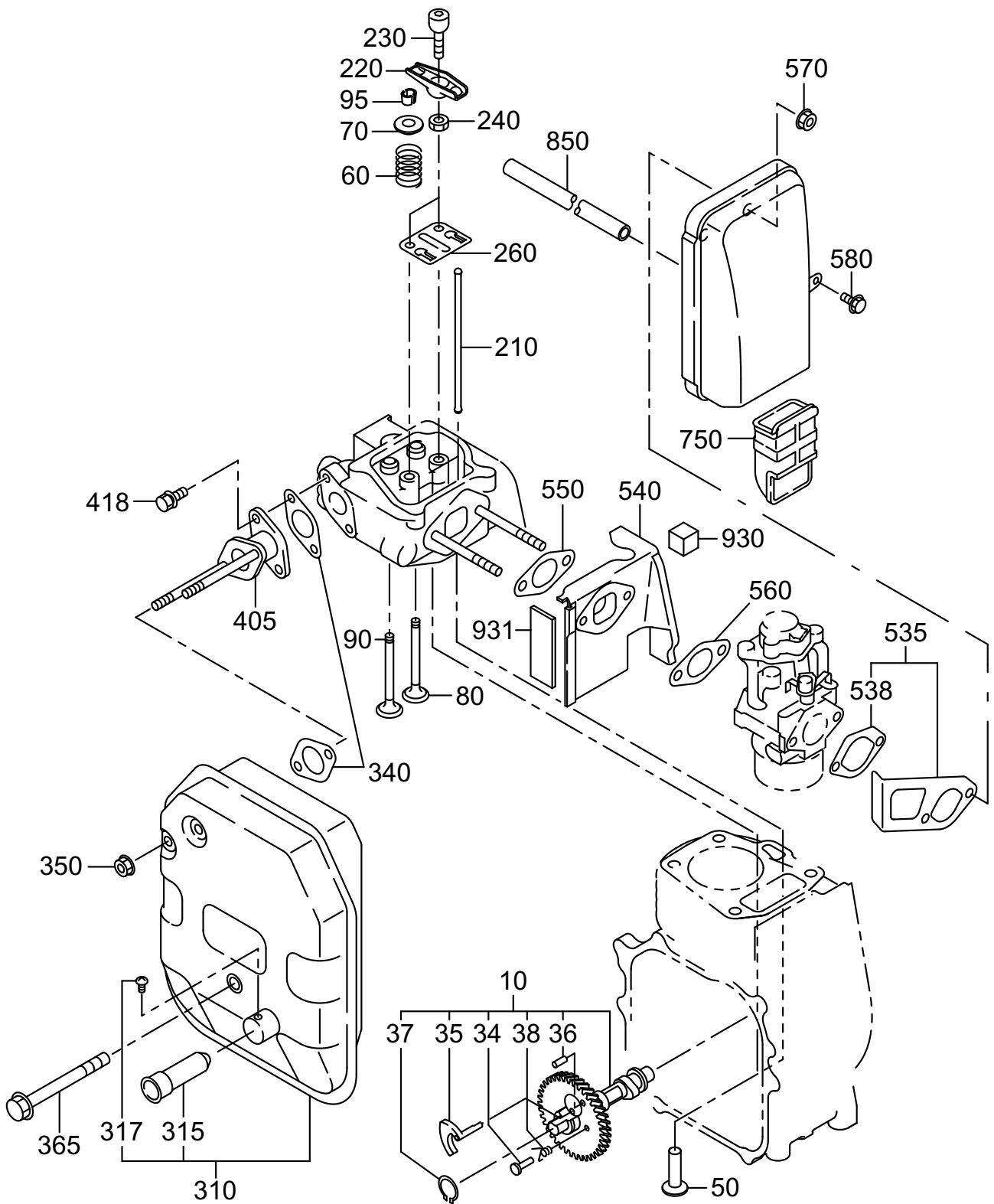


FIG. 317

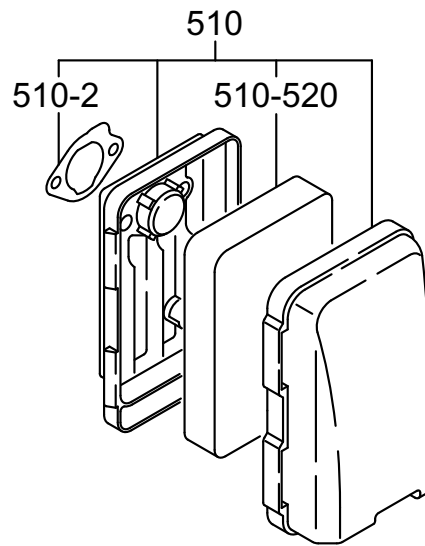


FIG. 405

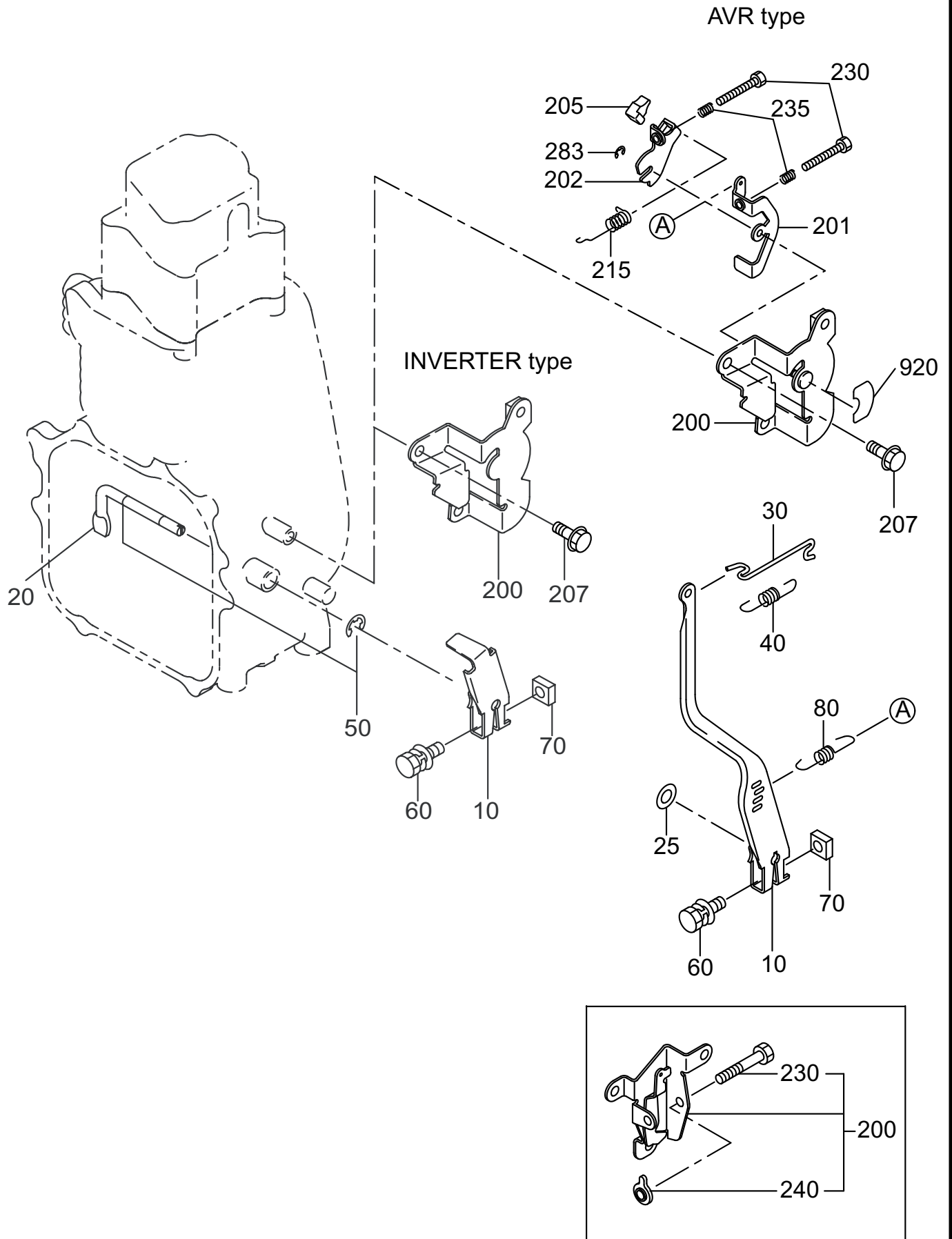


FIG. 505

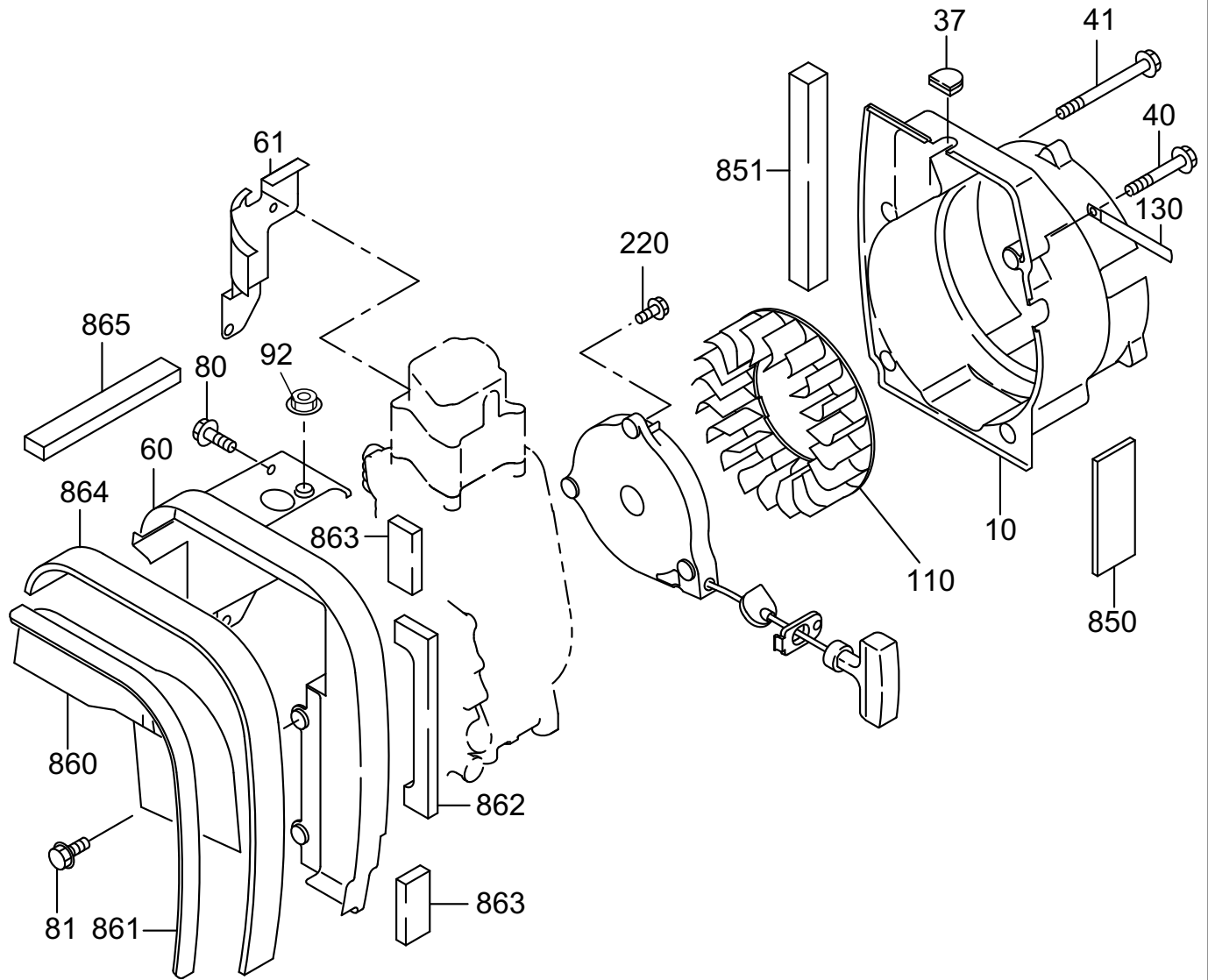


FIG. 525

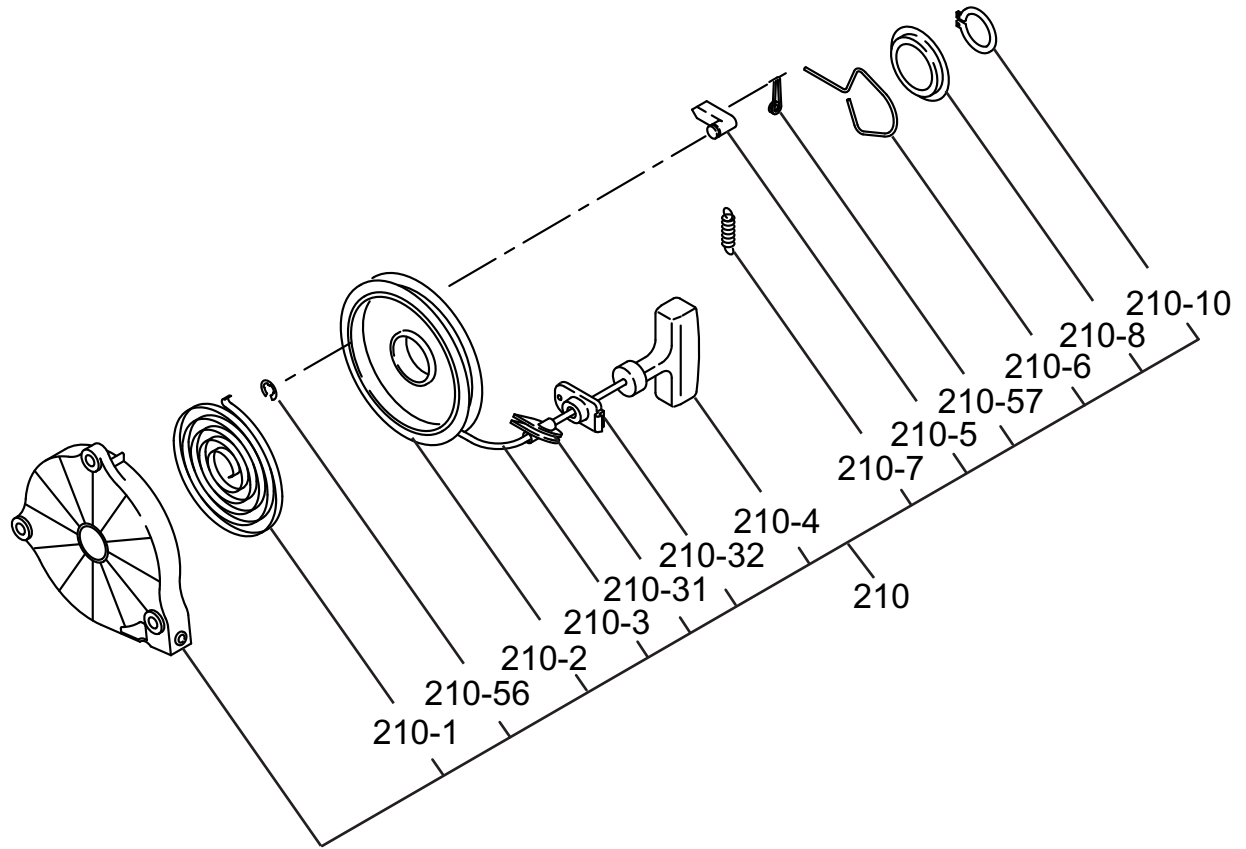


FIG. 605

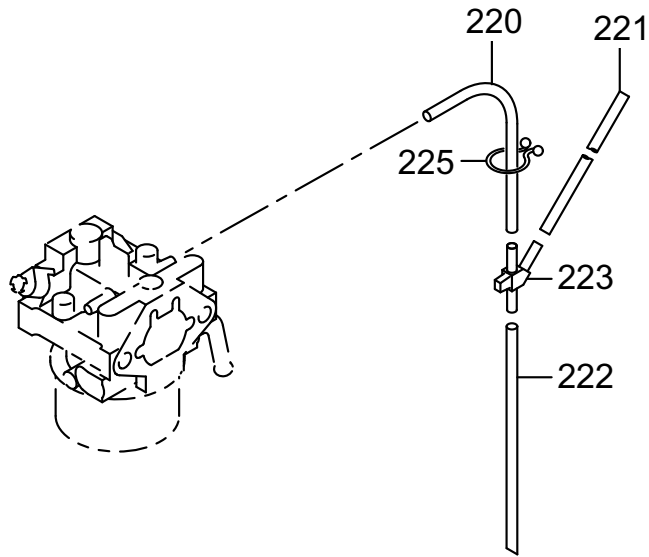


FIG. 642

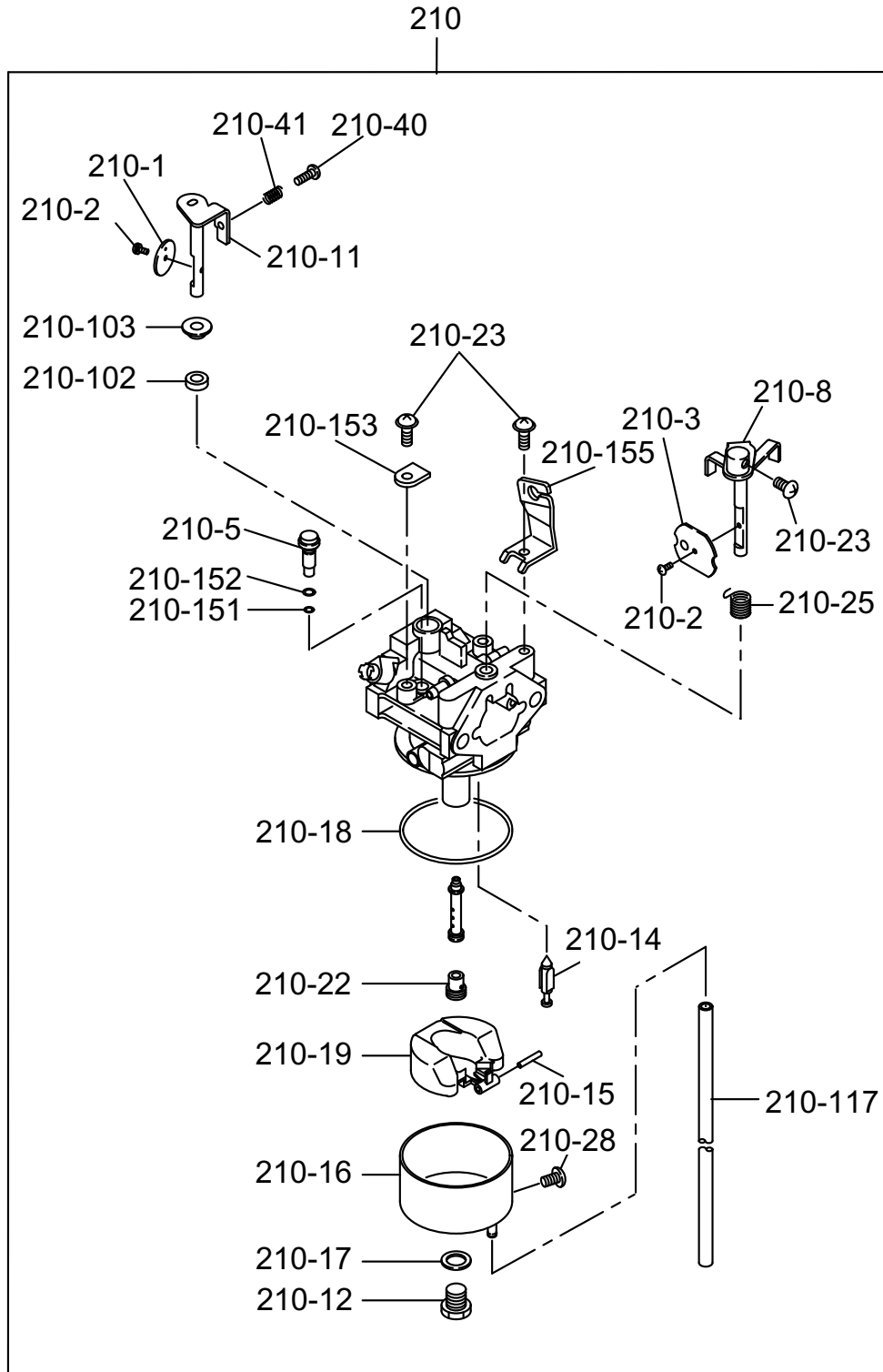


FIG. 705

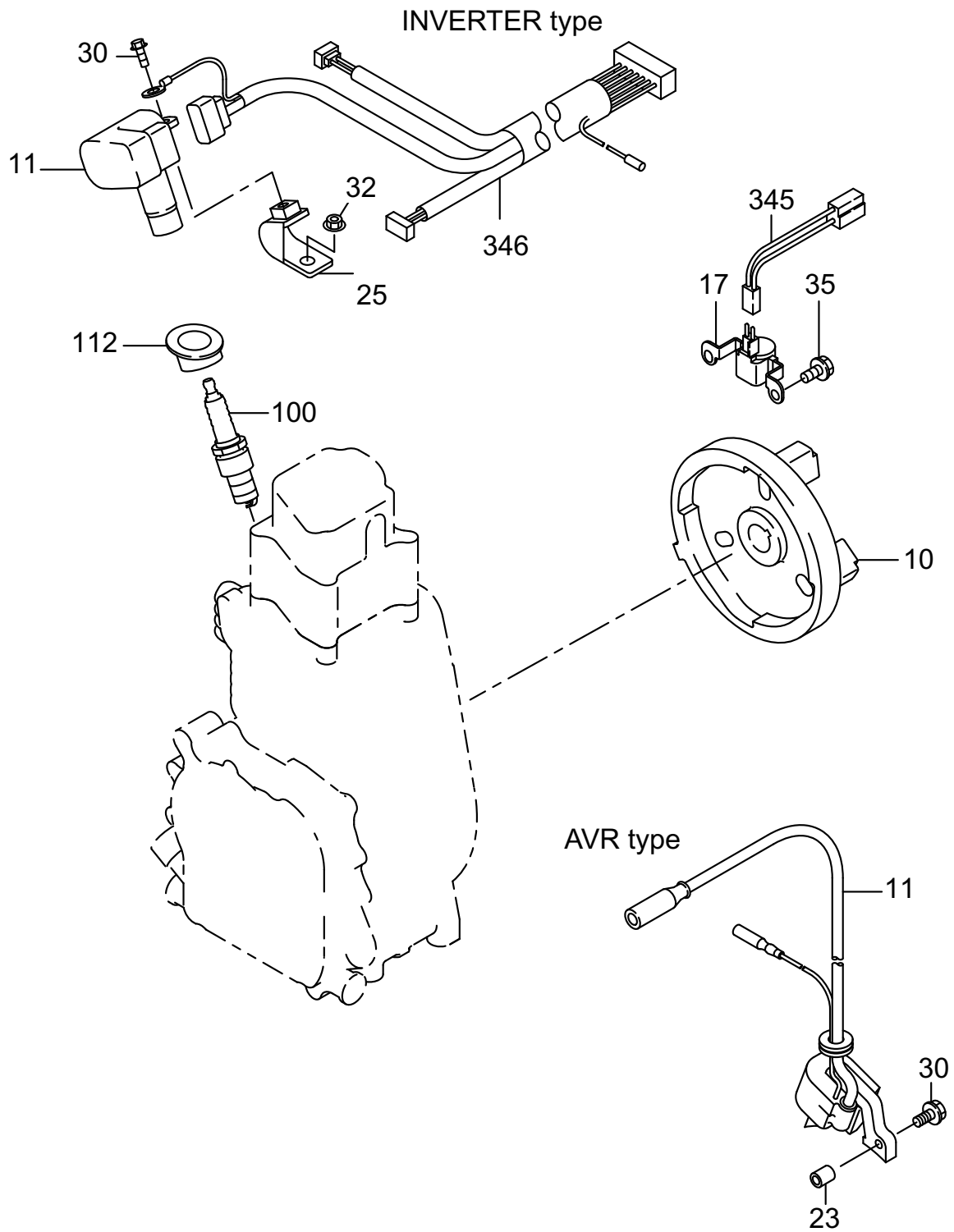


FIG. 775

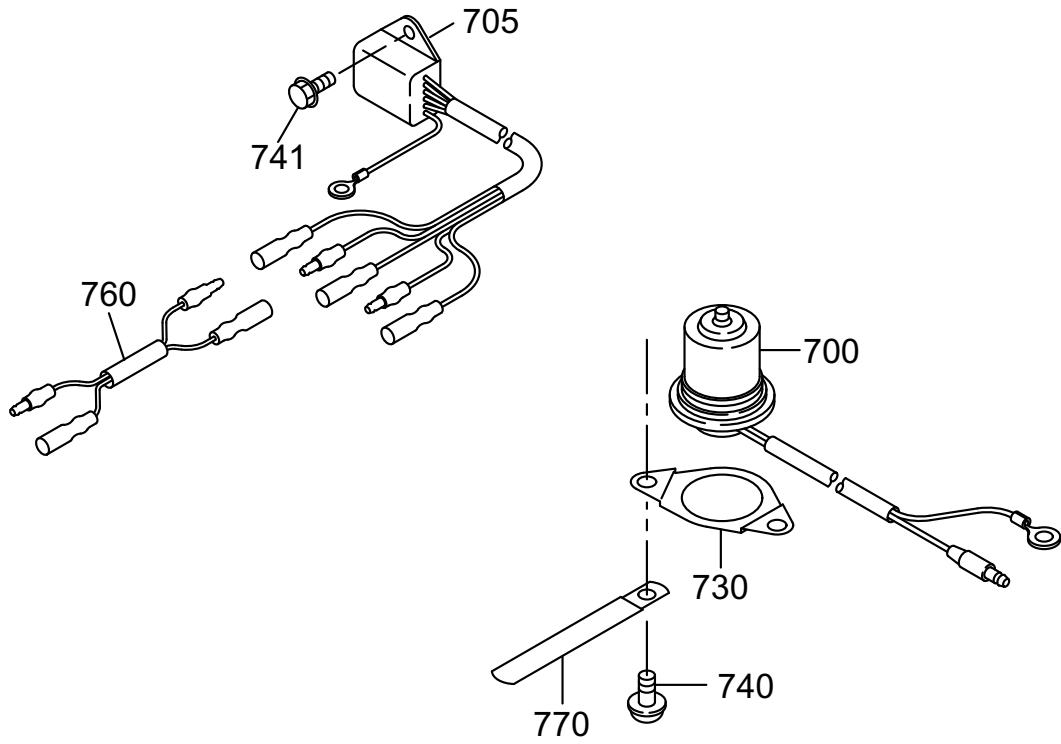


FIG. 2200

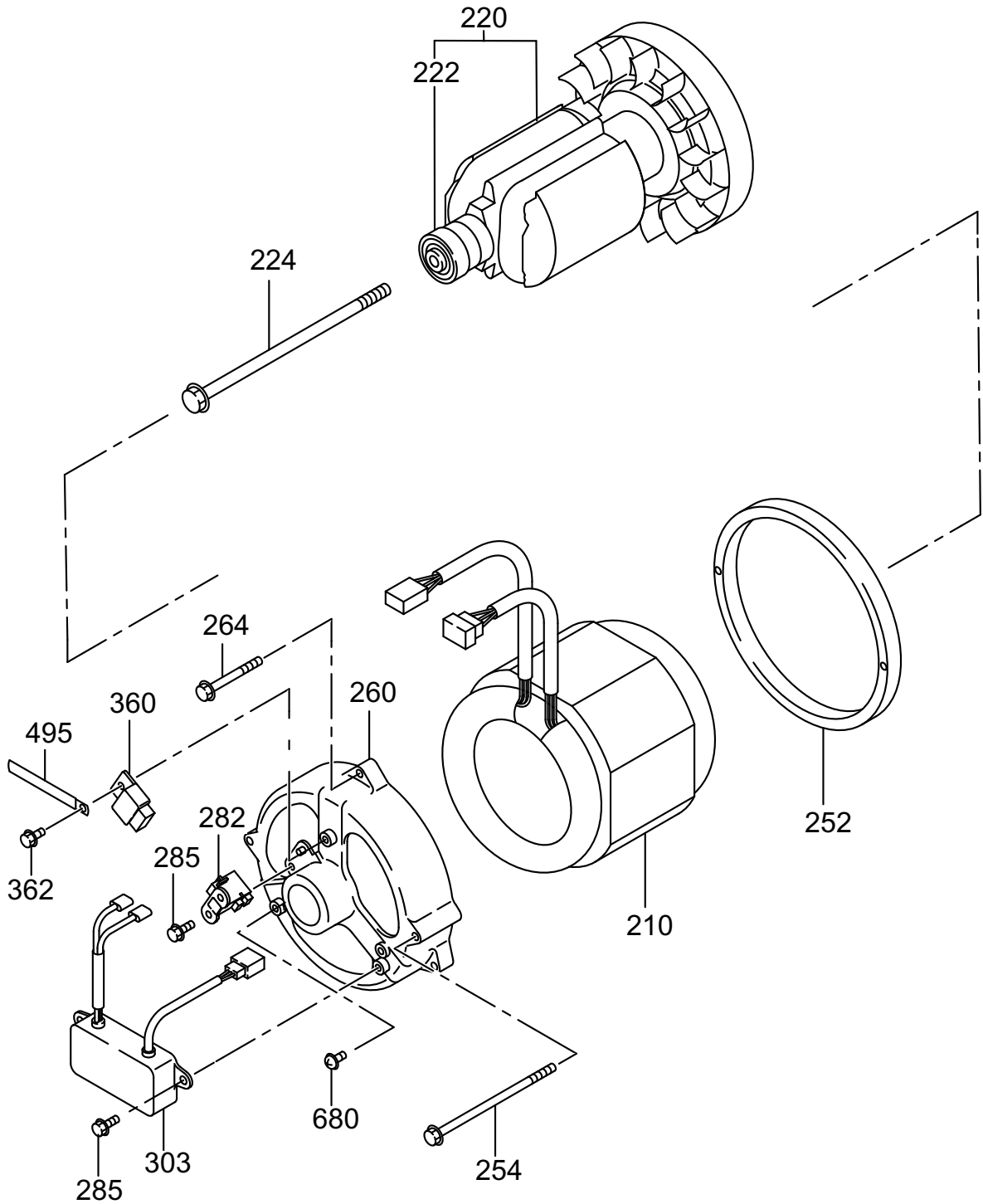


FIG. 2300

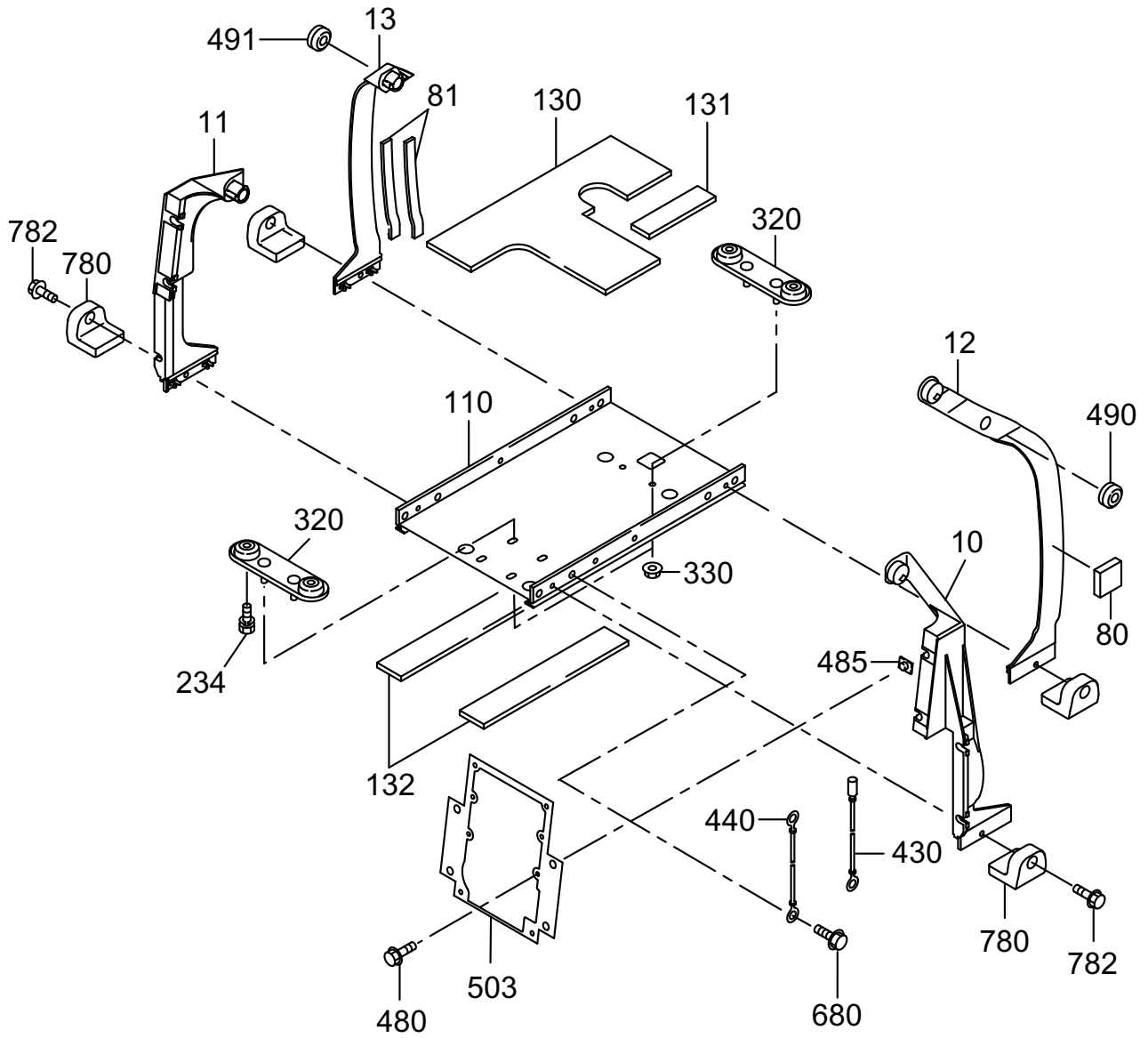
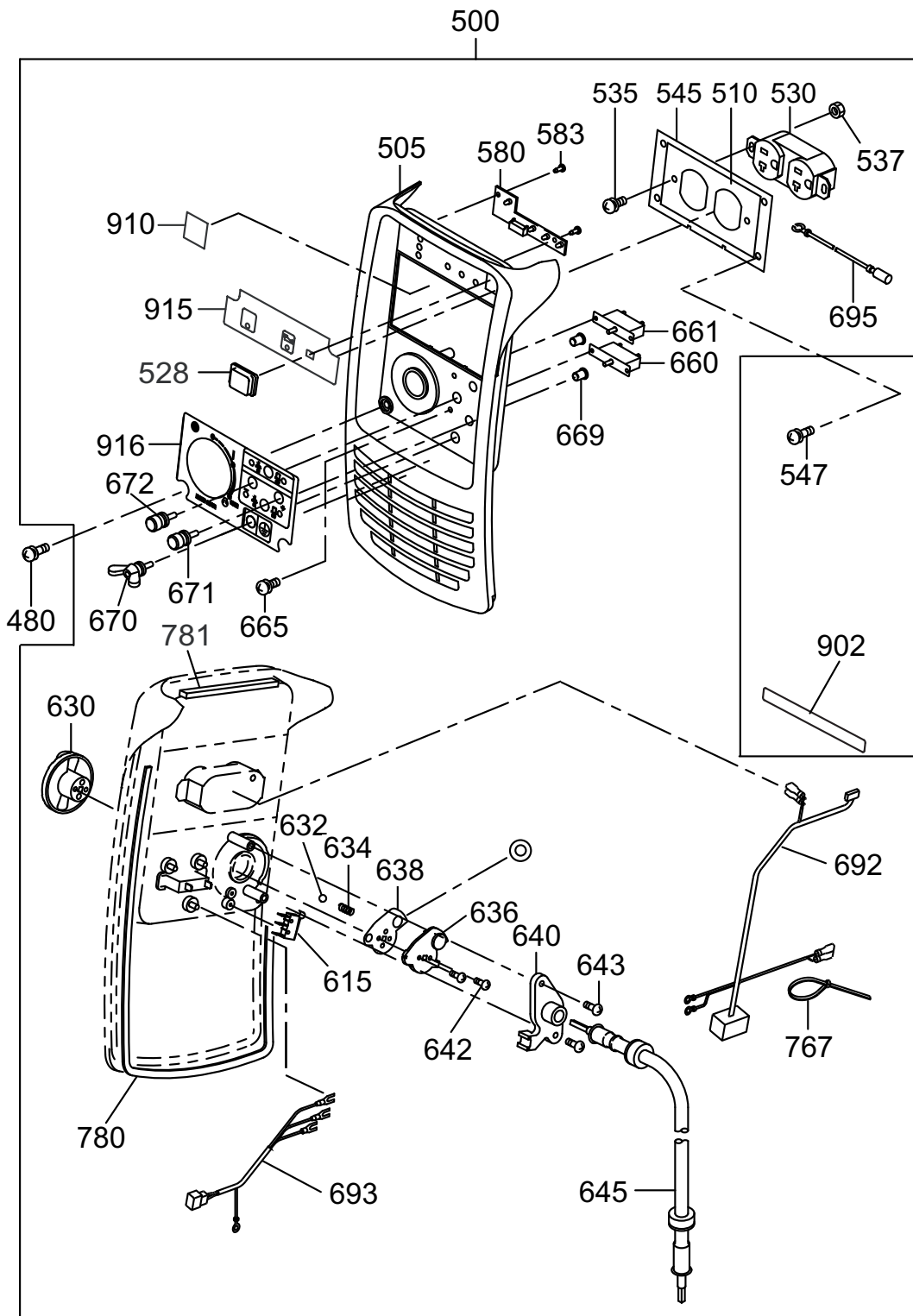


FIG. 2400



530

358-40621-08

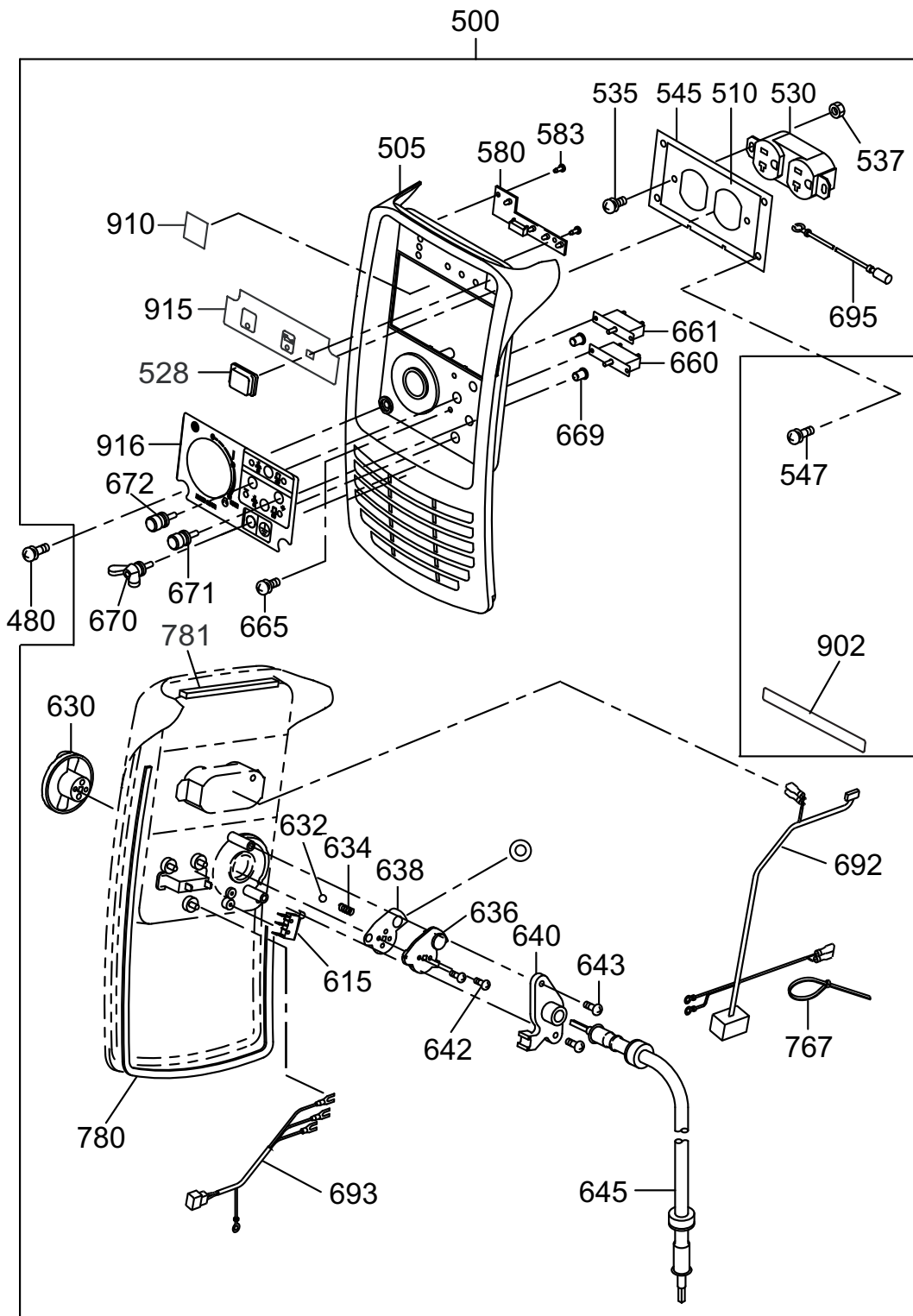
378-45737-08

388-85003-01

24 CONTROL

REF.	PART NUMBER	PART NAME	QTY	R E M A R K S	CODE NO.	INTERCHANGE P/NO.	UNIT P	FIG.
480	014-00501-00	SCREW	4		-			2400
500	33K-40112-10	CONTROL PANEL AY	1		6635-			2400
	33K-40112-00	CONTROL PANEL AY	1		6515-6634			2400
	33K-40091-10	CONTROL PANEL AY	1		-6514			2400
505	33K-40101-03	FRONT PANEL	1		-			2400
510	33K-41909-13	FILM CONCENT	1		6635-			2400
	33K-41909-03	FILM CONCENT	1		6515-6634			2400
	33K-41907-03	FILM CONCENT	1		-6514			2400
530	388-85003-01	AC RECEPTACLE	1	125V-20A	-			2400
535	351-49920-08	SCREW & WASHER AY	2		-			2400
537	002-17040-00	NUT	2		-			2400
545	33K-40706-13	CONSENT BRACKET	1		-			2400
547	013-10400-60	SCREW AND WASHER AY	4		-			2400
580	KD3-11011-21	OIL&RUN INDICATOR CP	1		6788-			2400
	KD3-11011-11	OIL&RUN INDICATOR	1		-6787			2400
583	015-00300-20	TAPPING SCREW	2		-			2400
615	33K-41811-03	MICRO SWITCH	1		-			2400
630	33K-42010-03	CONTROL DIAL	1		-			2400
632	33K-42071-03	BALL(DIAL)	1		-			2400
634	33K-42074-03	SPRING(DIAL)	1		-			2400
636	33K-42020-03	CHOKE REEL	1		-			2400
638	33K-42030-23	PLATE	1		-			2400
640	33K-42040-03	WIRE PLATE	1		-			2400
642	33K-41814-08	TAPPING SCREW	2		-			2400
643	015-00400-70	TAPPING SCREW	2	M4X20L	-			2400
645	33K-42050-11	ROLLING WIRE CP	1		-			2400
647	33K-42080-03	CHOKE BRACKET	1		-			2400
648	011-00600-10	FLANGE BOLT	1	M6X1.0X14DX8L	-			2400
660	33K-41833-03	CIRCUIT BREAKER	1	RED 10A	-			2400
661	33K-41831-03	CIRCUIT BREAKER	1		-			2400
665	013-10300-10	SCREW AND WASHER AY	4		-			2400
669	33K-41817-03	BREAKER CAP	2		-			2400
670	33K-42090-01	TERMINAL BOLT	1		-			2400
671	363-45701-08	TERMINAL BOLT	1	RED 20A	-			2400
672	363-45700-08	TERMINAL BOLT	1	BLACK 20A	-			2400
692	33K-41825-01	PANEL HARNESS JIS CP	1		-			2400
693	33K-41815-01	ENGINE HARNESS CP	1		-			2400
695	33K-41834-01	NEUTRAL HARNESS 1 CP	1		6515-			2400
710	33K-42060-21	CHOKE WIRE CP	1		-			2400
767	056-30000-20	WIRE BAND	1	2.5BX1.2TX100L	-			2400

FIG. 2400



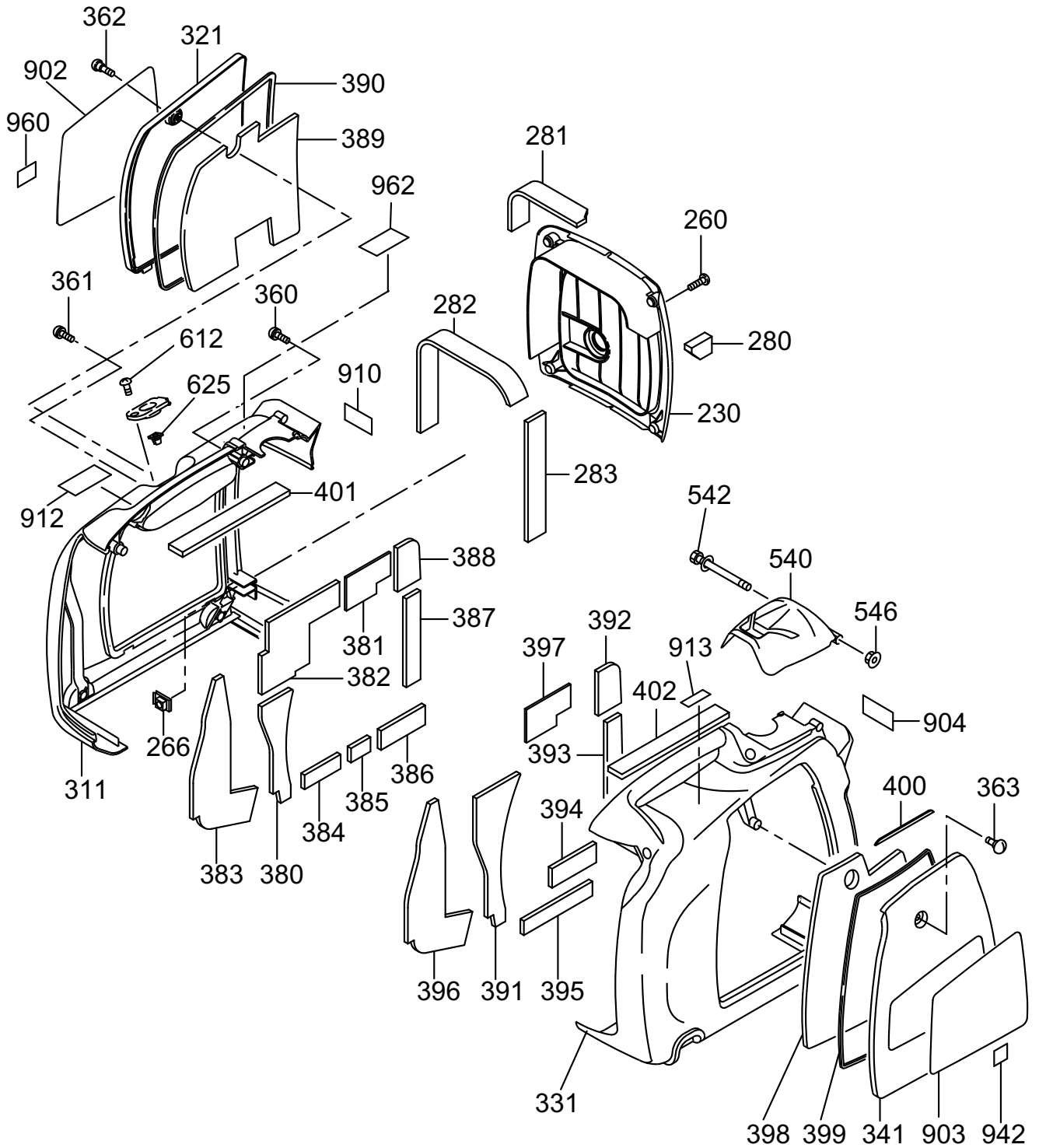
530

358-40621-08

378-45737-08

388-85003-01

FIG. 2500



25 COVER

REF.	PART NUMBER	PART NAME	QTY	R E M A R K S	CODE NO.	INTERCHANGE P/NO.	UNIT P	FIG.
230	33K-50201-03	REAR COVER	1	BLACK	-			2500
260	013-10600-30	SCREW AND WASHER AY	4		-			2500
266	33K-50205-01	NUT CP	4		-			2500
280	33K-58318-13	R-COVER SPONGE 1	2		-			2500
281	33K-58319-13	R-COVER SPONGE 2	1		-			2500
282	33K-58322-03	R-COVER SPONGE 3	1		-			2500
283	33K-58324-03	R-COVER SPONGE 4	1		-			2500
311	33K-53301-13	CASE BODY L	1	RED	-			2500
321	33K-53311-03	SIDE PANEL L	1	RED	-			2500
331	33K-53401-13	CASE BODY R	1	RED	-			2500
341	33K-53411-03	SIDE PANEL R	1	RED	-			2500
360	004-36062-50	SCREW AND WASHER AY	2	M6X1.0X25L W/W, SW	-			2500
361	004-36062-00	SCREW AND WASHER AY	1	M6X1.0X20L W/W, SW	-			2500
362	33K-50501-03	BOLT(PANEL)	1		-			2500
363	33K-50501-03	BOLT(PANEL)	1		-			2500
380	33K-58301-03	SPONGE CASE L	1		-			2500
381	33K-58307-03	SPONGE CASE L 5	1		-			2500
382	33K-58305-03	SPONGE CASE L 3	1		-			2500
383	33K-58304-03	SPONGE CASE L 2	1		-			2500
384	33K-58308-03	SPONGE CASE L 6	1		-			2500
385	33K-58309-03	SPONGE CASE L 7	1		-			2500
386	33K-58408-03	SPONGE CASE R 6	1		-			2500
387	33K-58409-03	SPONGE CASE R 7	1		-			2500
388	33K-58306-03	SPONGE CASE L 4	1		-			2500
389	33K-58302-03	SPONGE PANEL L	1		-			2500
390	33K-58303-03	SEAL SPONGE L	1		-			2500
391	33K-58401-03	SPONGE CASE R	1		-			2500
392	33K-58406-03	SPONGE CASE R 4	1		-			2500
393	33K-58409-03	SPONGE CASE R 7	1		-			2500
394	33K-58408-03	SPONGE CASE R 6	1		-			2500
395	33K-58407-03	SPONGE CASE R 5	1		-			2500
396	33K-58404-03	SPONGE CASE R 2	1		-			2500
397	33K-58405-03	SPONGE CASE R 3	1		-			2500
398	33K-58402-03	SPONGE PANEL R	1		-			2500
399	33K-58403-03	SEAL SPONGE R	1		-			2500
400	33K-58410-03	SEAL SPONGE R 2	1		-			2500
540	33K-55001-13	TANK CAP COVER	1		-			2500
542	013-10400-91	SCREW AND WASHER AY	1		-			2500
546	018-00400-00	FLANGE NUT	1		-			2500
612	015-00400-90	TAPPING SCREW	1	M4X12L	-			2500

FIG. 2500

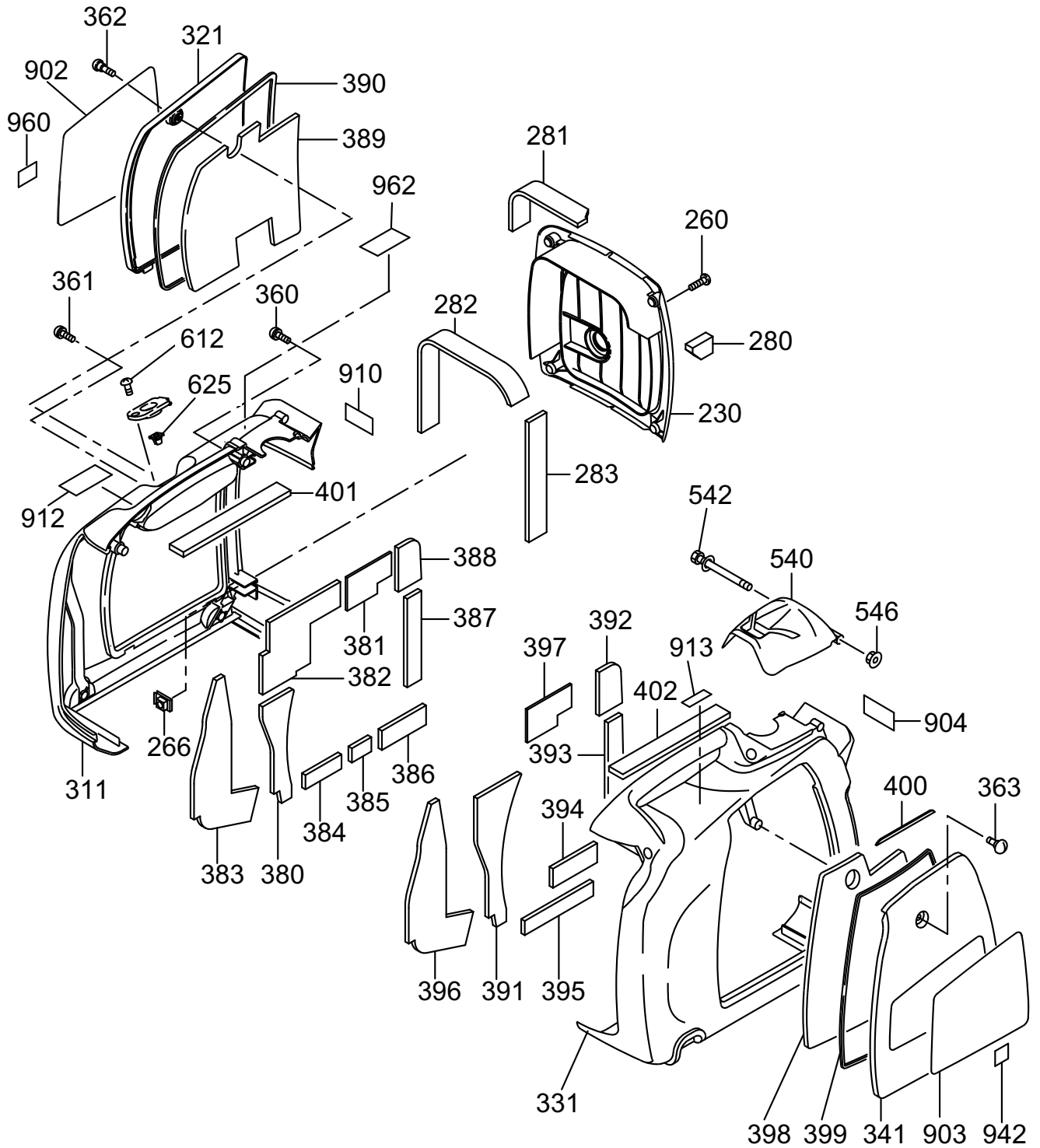


FIG. 2600

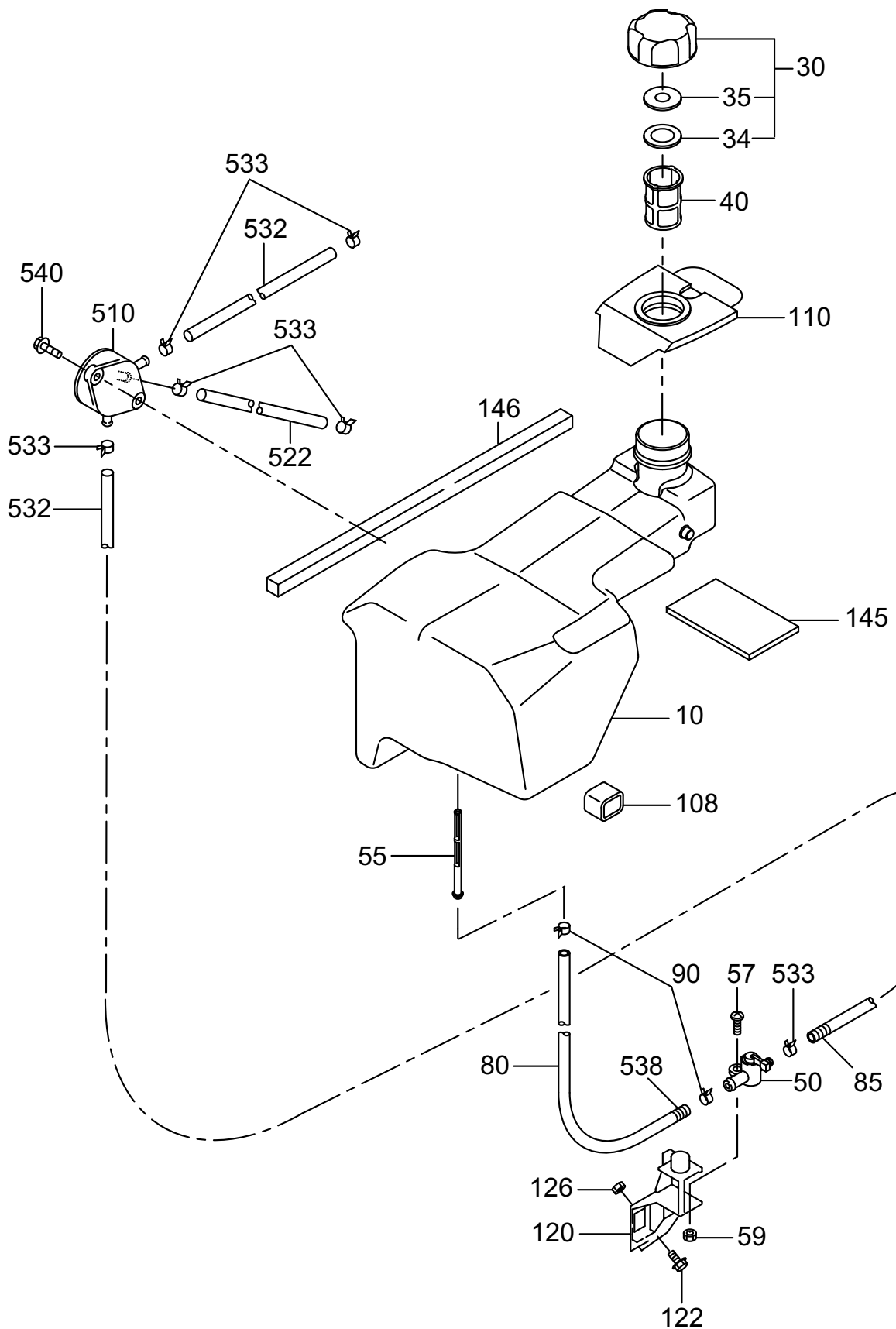


FIG. 2900

