



# **PARTS CATALOG**

# **Robin**

## **Pump**

**Model**

# ***PKV101***

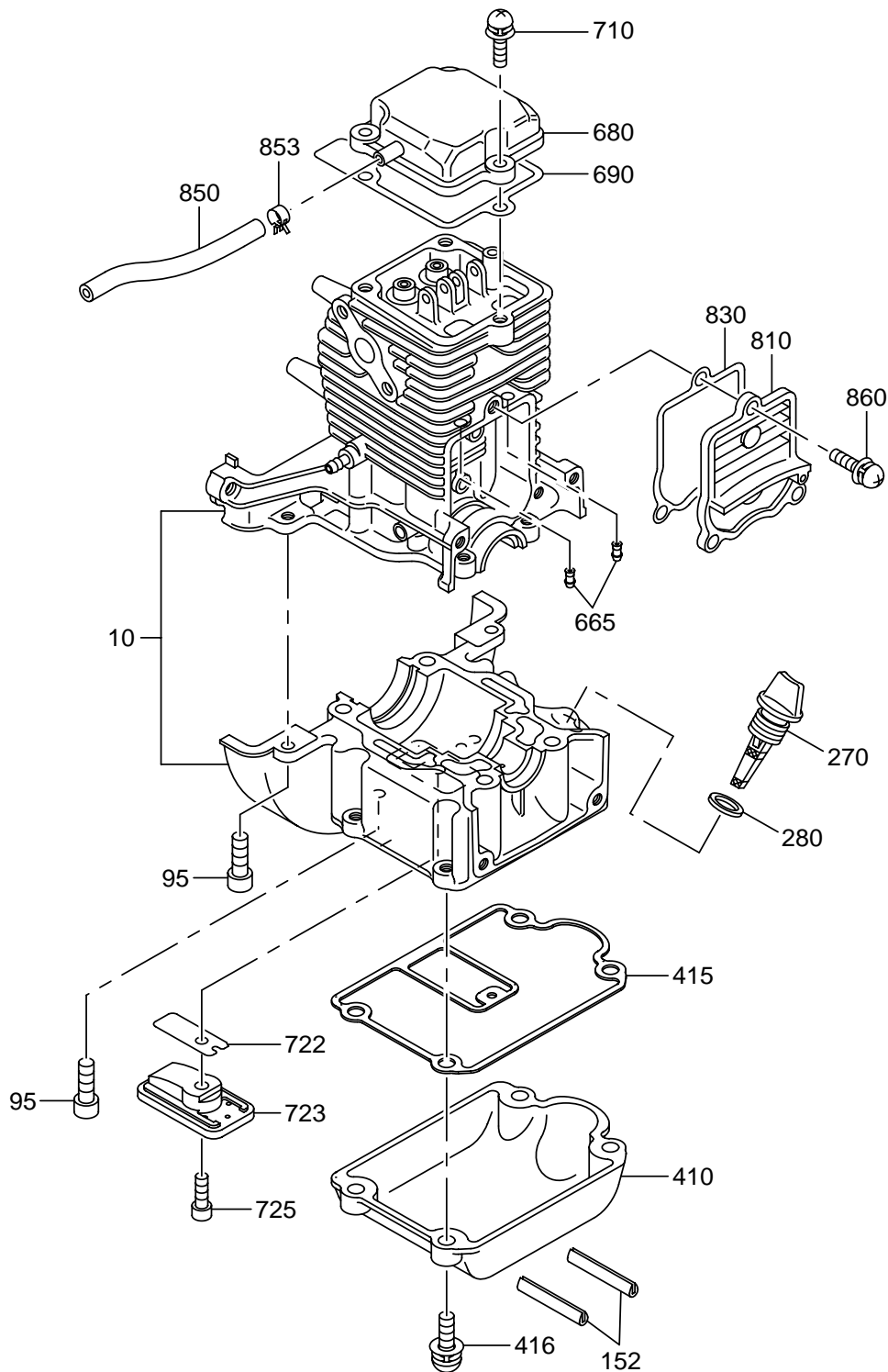
**FOR RAI**

**Spec. No. PKV10100350  
EH025P\*0105**

 **FUJI HEAVY INDUSTRIES LTD.**

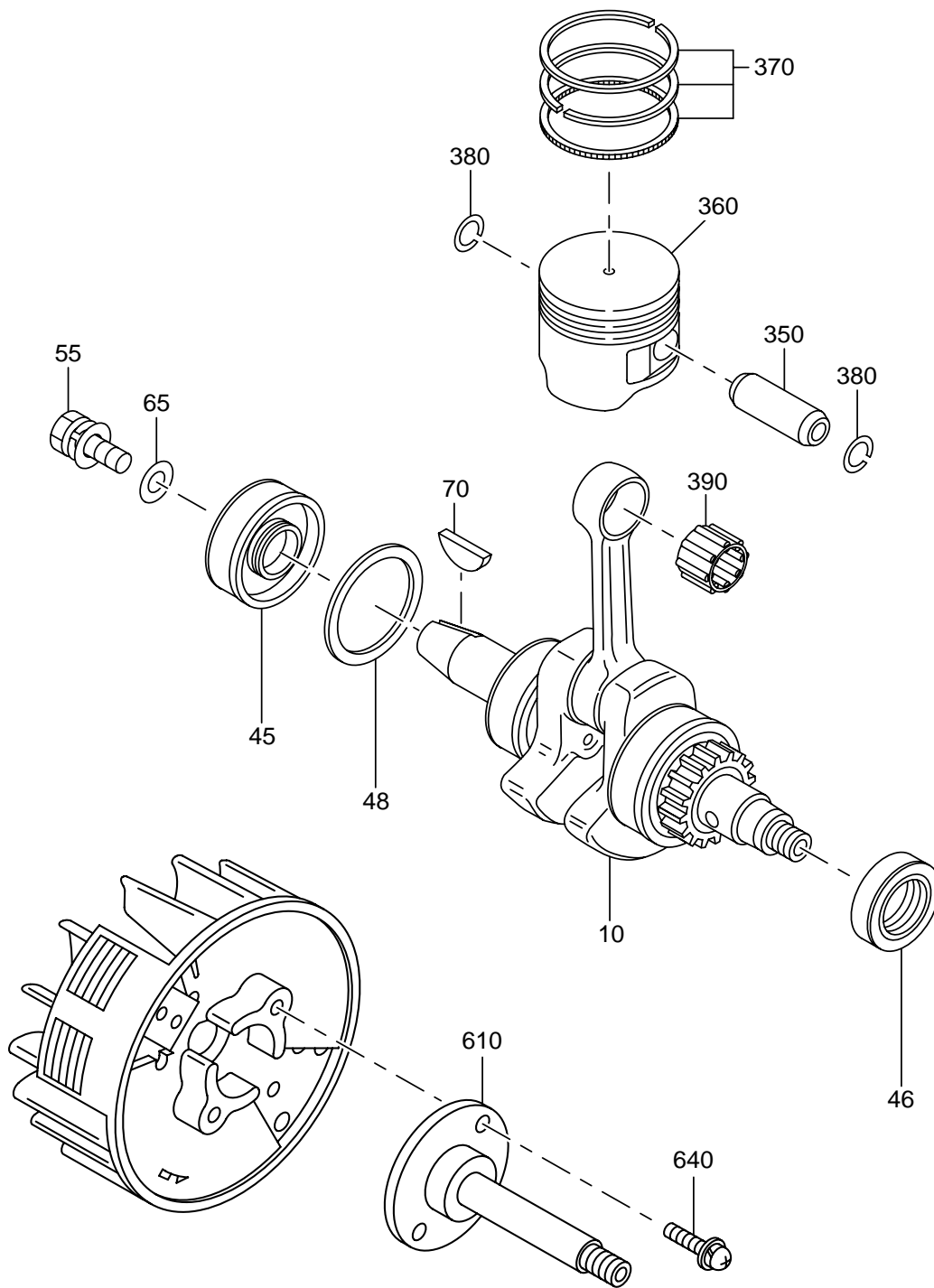
**ISSUE EMD-PP1644**

**FIG.100 CRANKCASE GROUP**



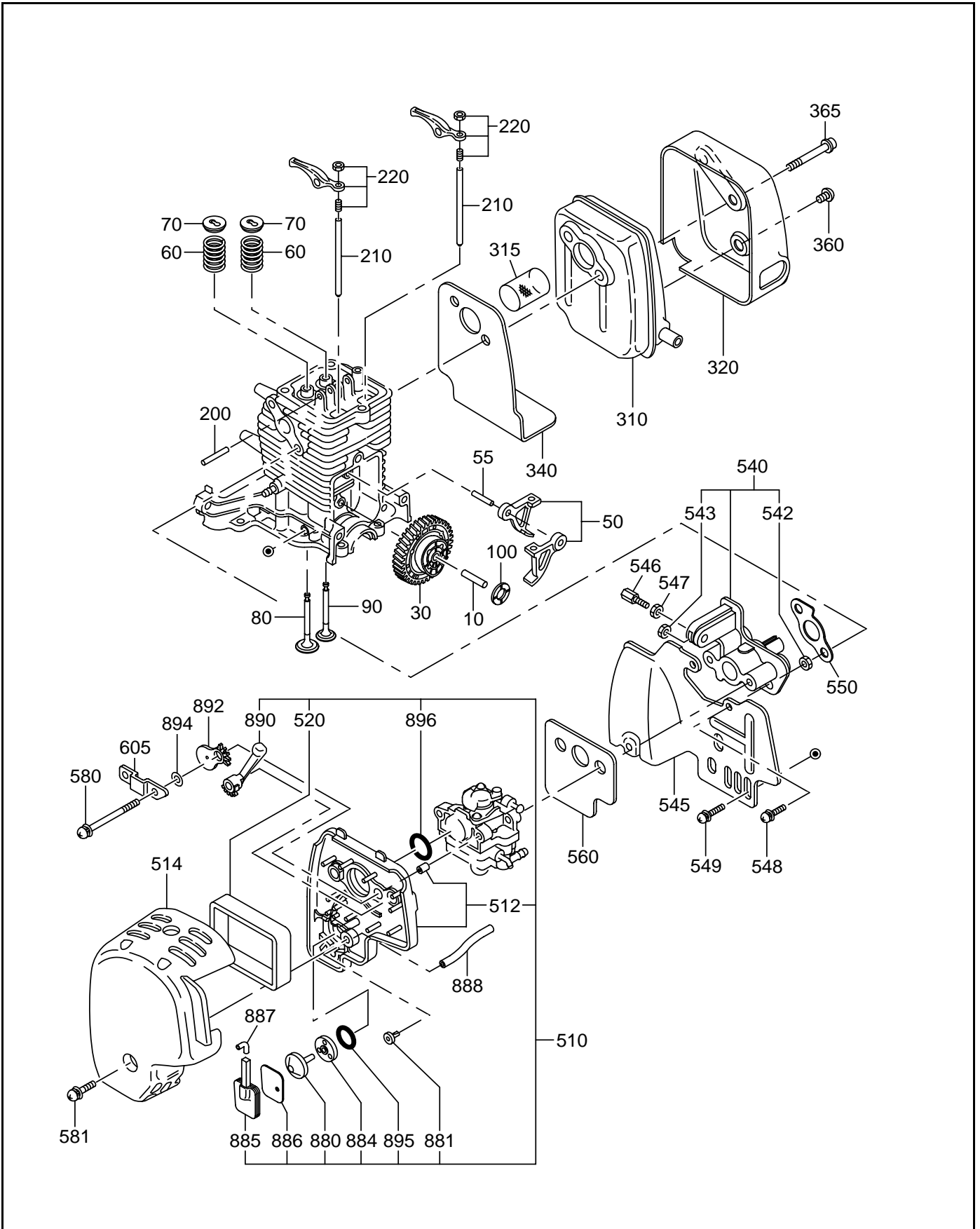


**FIG.200 CRANKSHAFT and PISTON GROUP**





# FIG.300 INTAKE and EXHAUST GROUP



## FIG.300 INTAKE and EXHAUST GROUP

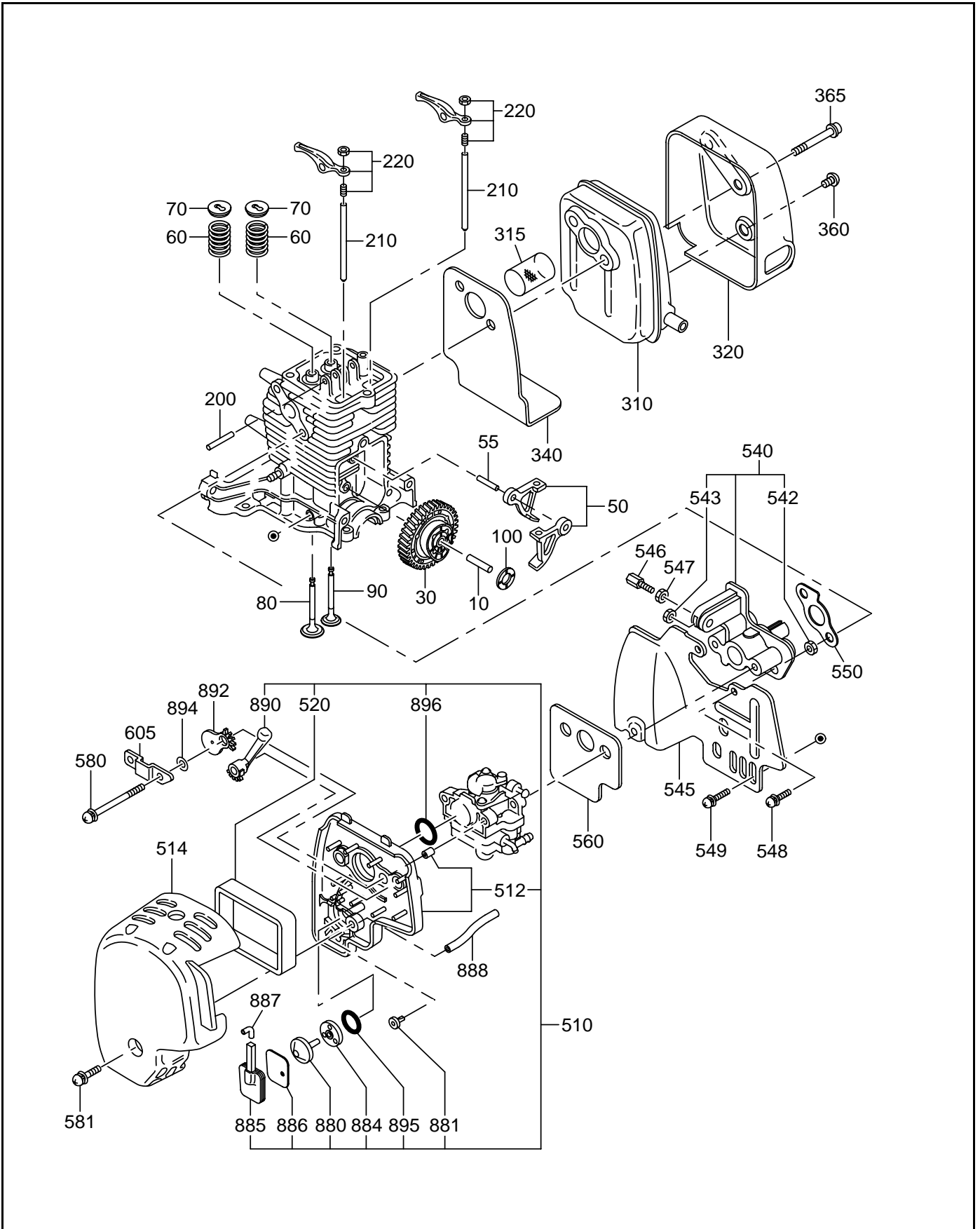
Interchangeability

Ref. No.	Part Number	Description	Q'ty	Execution
10	592-35005-01	SHAFT, CAMGEAR	1	
30	592-30070-00	CAMGEAR AY	1	
50	592-35000-01	CAMLIFTER	2	
55	592-35006-00	SHAFT, CAMLIFTER	1	
60	592-35012-00	VALVE SPRING	2	
70	592-35013-00	RETAINER, SPRING	2	
80	592-35015-00	INTAKE VALVE	1	
90	592-35014-00	EXHAUST VALVE	1	
100	592-35038-00	WASHER	1	
200	592-35011-01	ROCKER SHAFT	1	
210	592-35007-00	PUSH ROD	2	
220	592-30020-00	ROCKER ARM AY	2	
310	592-30010-00	MUFFLER	1	
315	592-30080-10	SPARK ARRESTER	1	
320	592-35034-00	COVER, MUFFLER	1	
340	592-35016-01	GASKET, MUFFLER	1	
360	014-00599-62	SCREW (M5×5L)	1	
365	011-90595-20	SOCKET HEAD BOLT (M5×20L)	2	
510	592-30040-03	PLATE, CLEANER AY	1	
512	592-30060-02	PLATE, AIR CLEANER CP	1	
514	592-35027-00	COVER, AIR CLEANER	1	
520	592-35032-00	ELEMENT	1	
540	592-30050-01	INSULATOR CP	1	
542	017-00599-80	NUT	2	
543	002-27060-00	NUT	1	
545	592-35020-00	INSULATOR, CARBURETOR	1	
546	014-90699-72	ADJUST SCREW	1	
547	002-27060-00	NUT	1	
548	004-36051-80	SCREW AY (M5×18L)	2	
549	004-36051-00	SCREW AY (M5×10L)	1	
550	592-35018-01	GASKET, INSULATOR	1	
560	592-35019-00	GASKET, CARBURETOR	1	
580	592-35031-00	SCREW (M5×68L)	2	
581	014-00594-80	SCREW AY(M5×14L)	1	
605	592-35026-00	PLATE	1	
880	531-65007-01	CHECK VALVE	1	
881	592-35024-00	CHECK VALVE (1)	1	
884	592-35025-00	PLATE, CHECK VALVE	1	
885	593-35016-00	PLATE, SEPARATOR CP	1	
886	592-35035-00	GASKET, SEPARATOR	1	
887	592-35039-00	PIPE, PLATE SEPARATOR	1	
888	592-35030-01	PIPE	1	
890	592-35022-00	LEVER, CHOKE	1	
892	592-35023-01	PLATE, CHOKE	1	

'01-10

EH025P\*0105

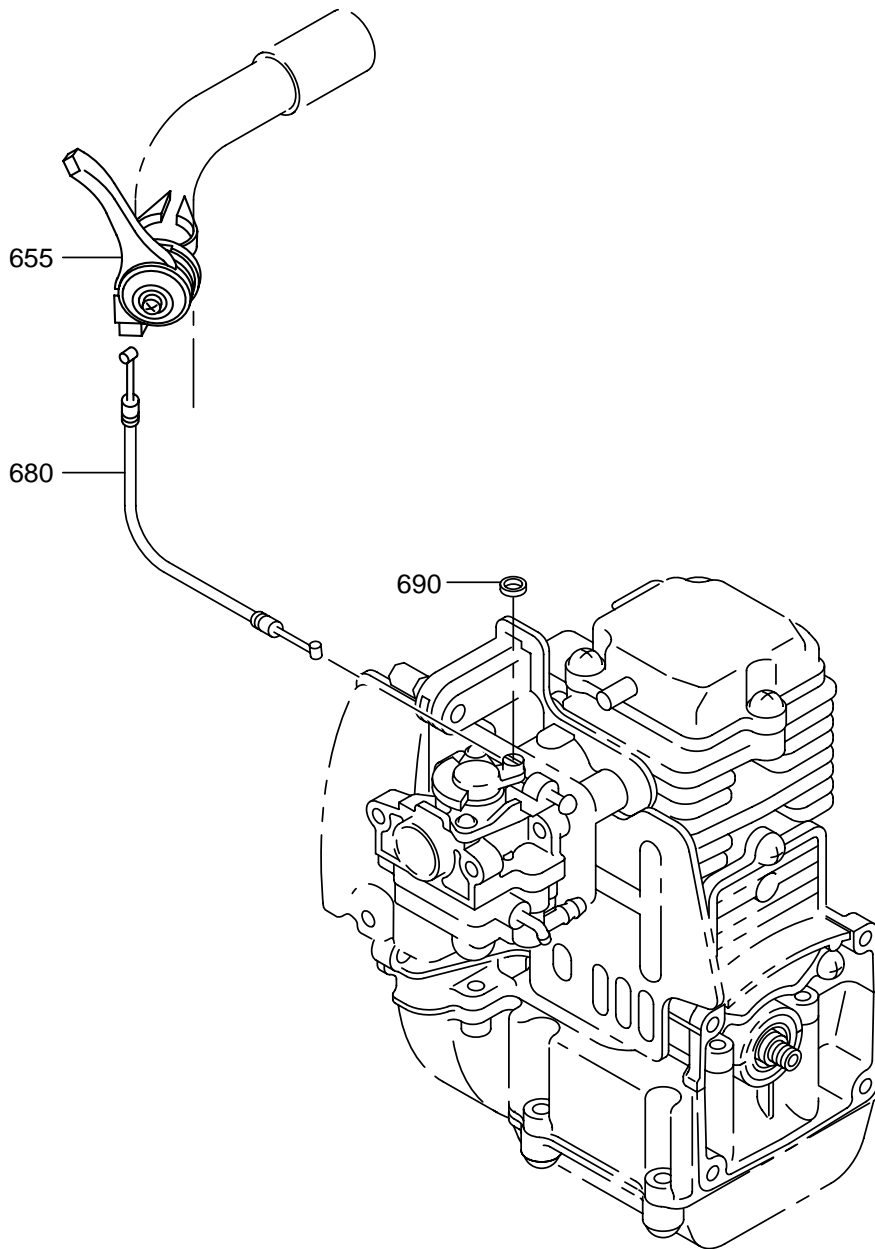
# FIG.300 INTAKE and EXHAUST GROUP





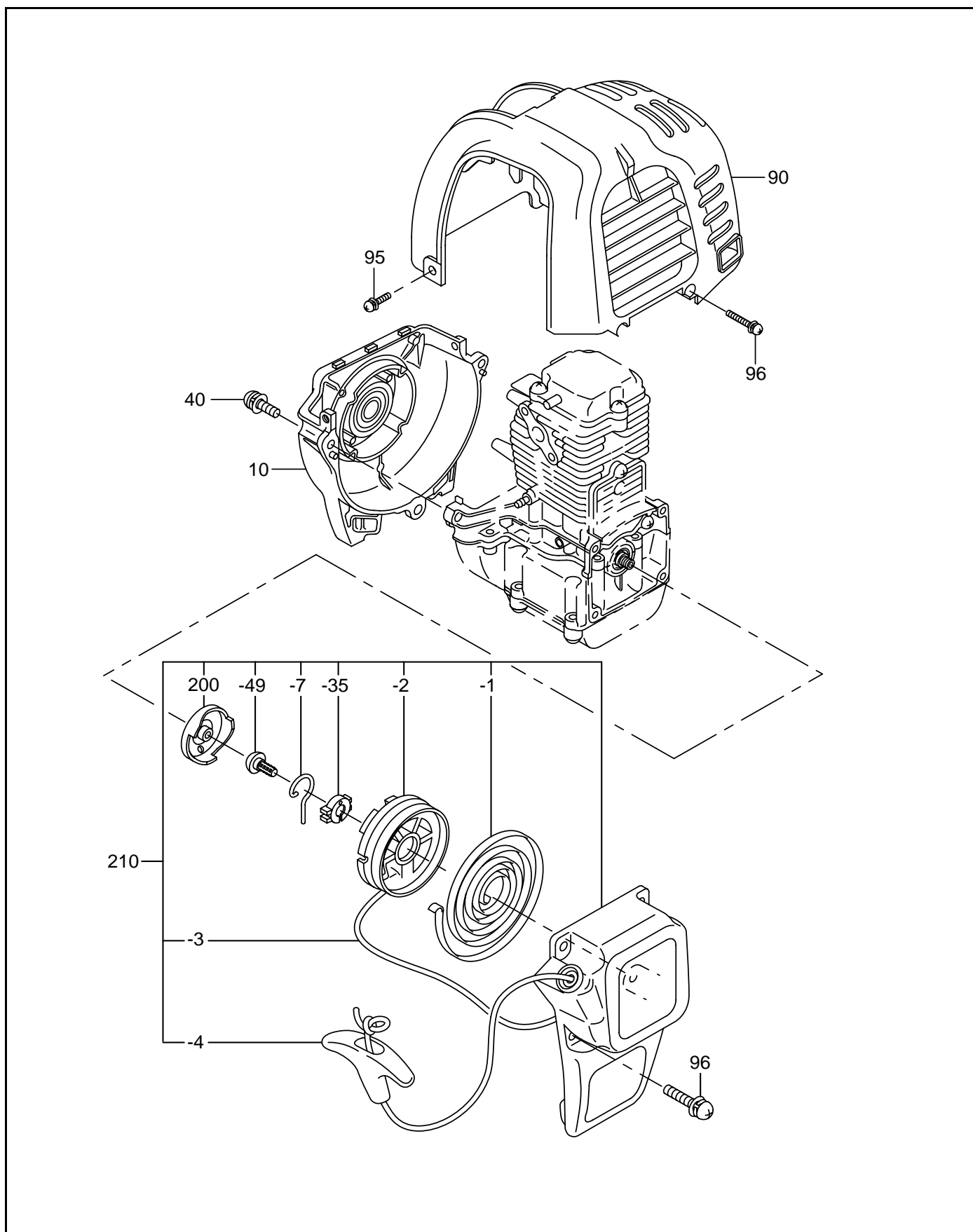


**FIG.400 GOVERNOR, OPERATION GROUP**



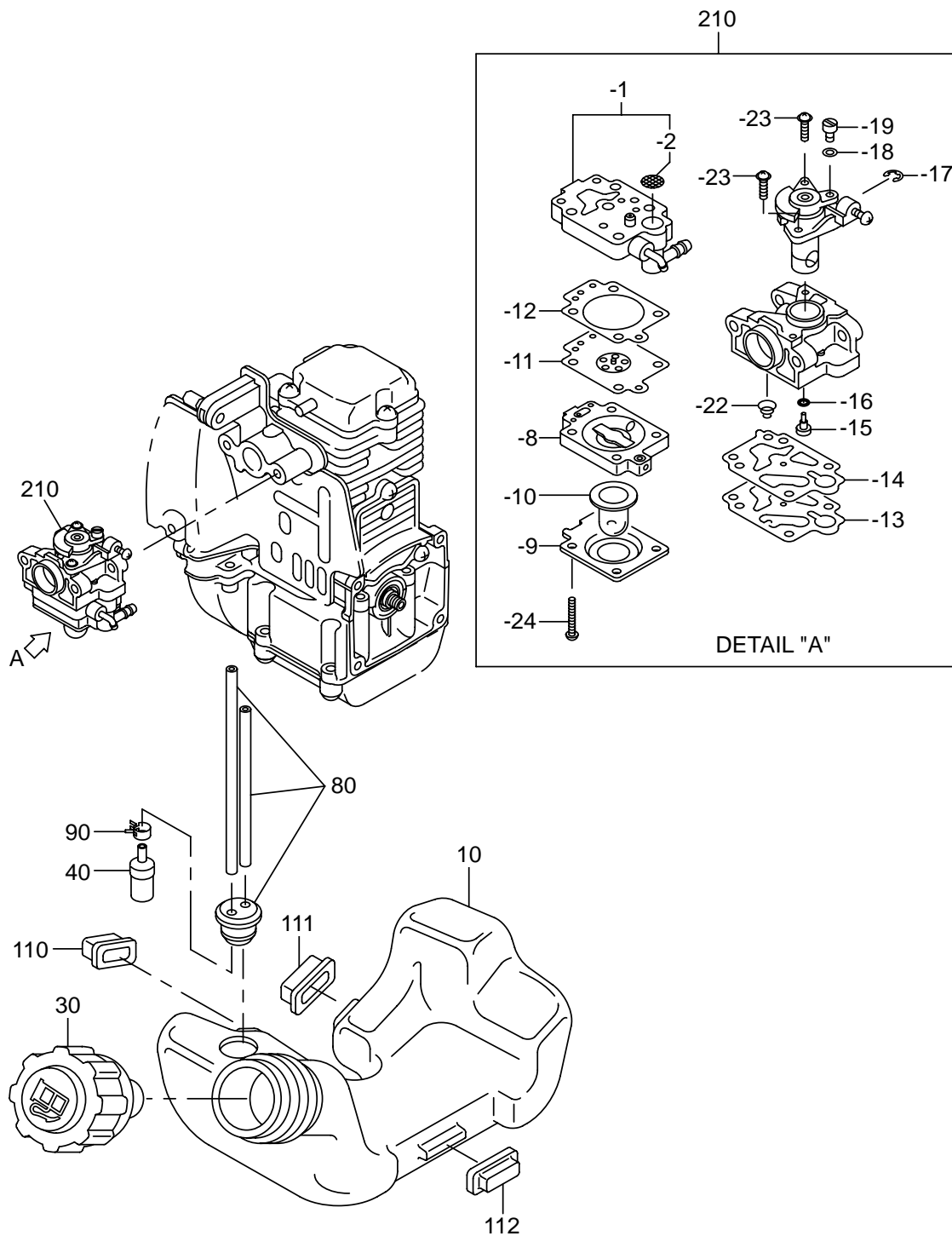


**FIG.500 COOLING and STARTING GROUP**





**FIG.600 FUEL, LUBRICANT GROUP**

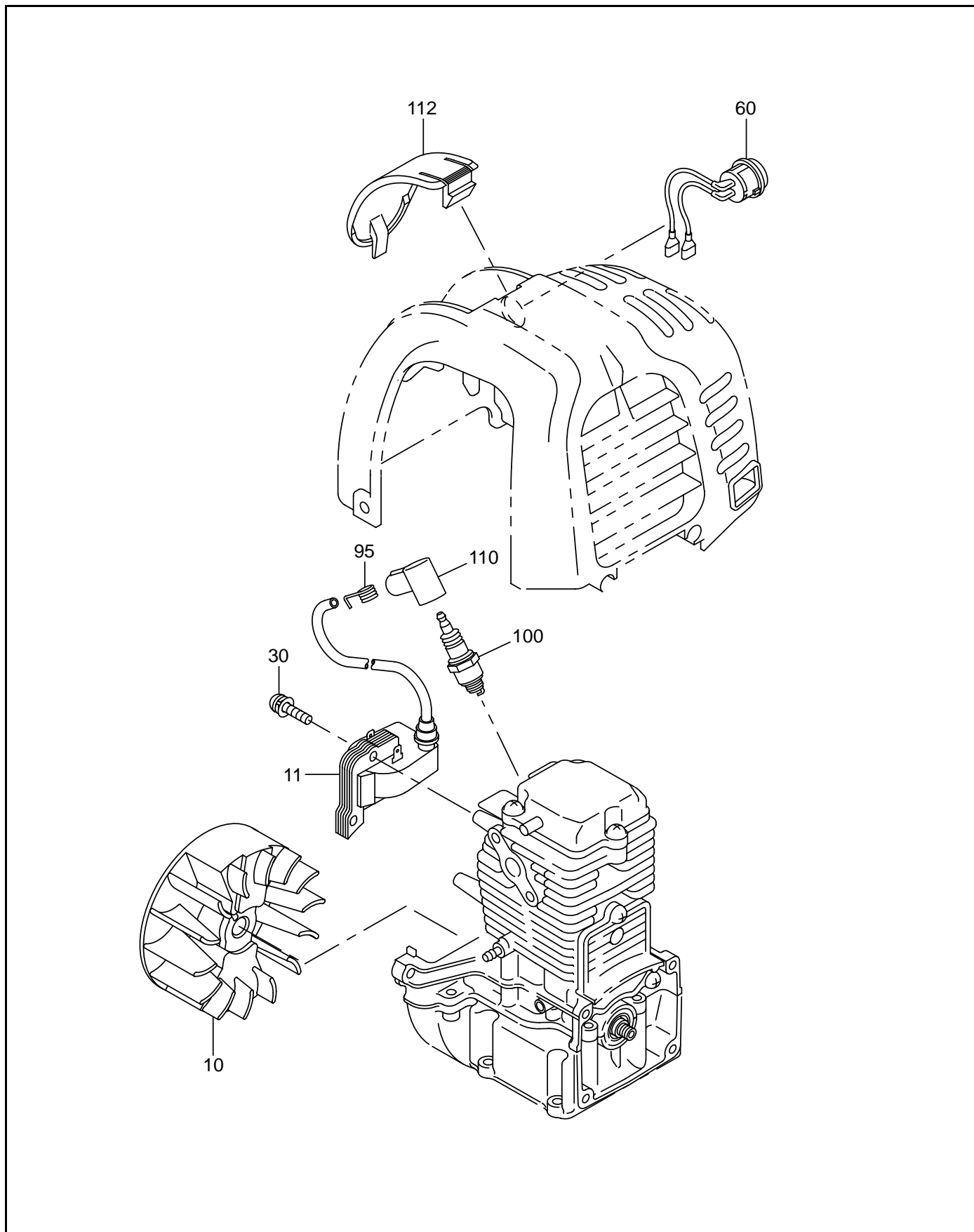


# FIG.600 FUEL, LUBRICANT GROUP

Interchangeability

Ref. No.	Part Number	Description	Q'ty	Execution
10	592-65004-00	TANK, FUEL	1	
30	592-60040-01	CAP, FUEL TANK AY	1	
40	523-65039-00	FILTER	1	
80	592-60030-00	TUBE	1	
90	056-10599-90	HOSE CLAMP	1	
110	503-65002-00	PLATE	1	
111	503-65003-00	PLATE	1	
112	519-65003-01	DAMPER	1	
210	592-60110-00	CARBURETOR AY	1	
-1	592-60070-41	BODY AY-PUMP	1	
-2	501-60040-10	SCREEN-INLET	1	
-8	523-60461-40	BODY AY-AIR PURGE	1	
-9	523-60460-50	COVER-PRIMER PUMP	1	
-10	524-60011-50	PUMP-PRIMER	1	
-11	592-60080-10	DIAPHRAGM AY-METERING	1	
-12	523-60460-40	GASKET-METERING DIAPHRAGM	1	
-13	524-60010-40	DIAPHRAGM-PUMP	1	
-14	592-60020-40	GASKET-PUMP	1	
-15	592-60021-20	JET (#36)	1	
-16	524-60010-10	O RING	1	
-17	531-60051-20	RING-SPRING RETAINING	1	
-18	252-62601-08	WASHER	1	
-19	523-60180-40	SWIVEL	1	
-22	252-62611-08	SPRING-PUMP	1	
-23	520-60080-30	SCREW-T COLLAR	2	
-24	523-60460-10	SCREW-PUMP COVER	4	

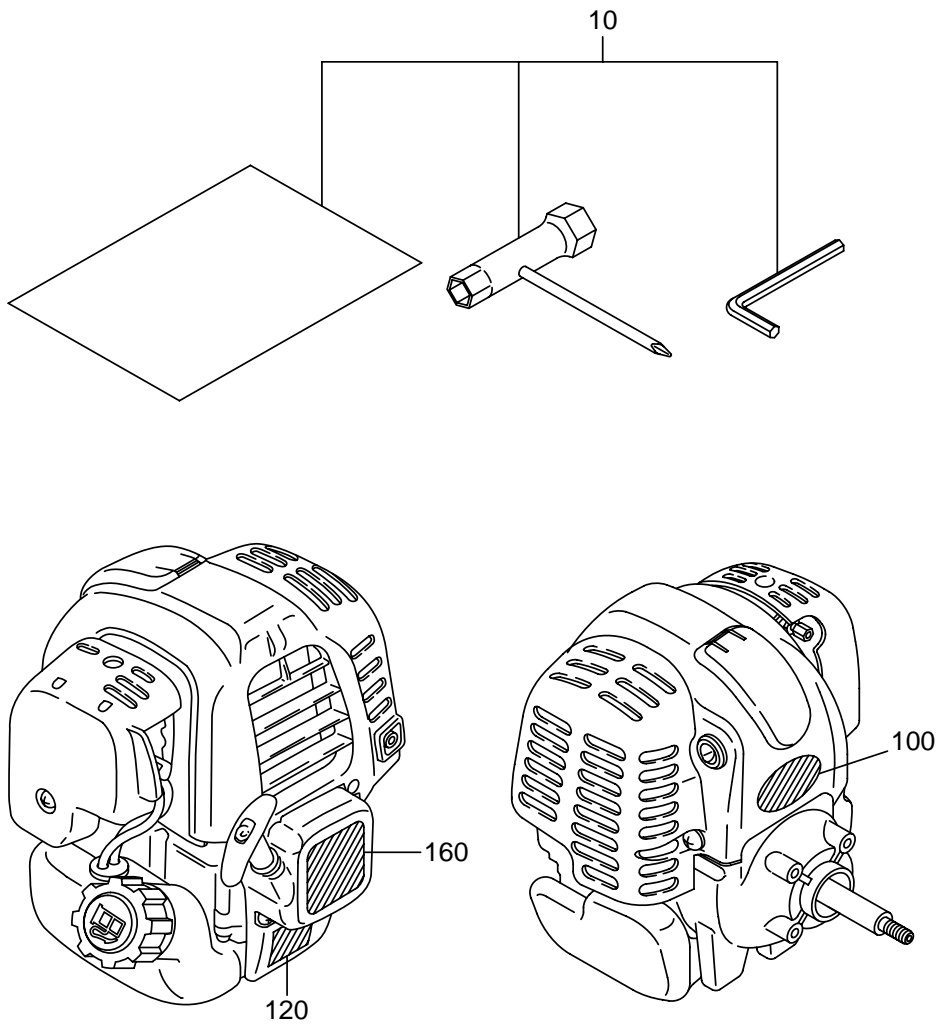
**FIG.700 ELECTRIC DEVICE GROUP**





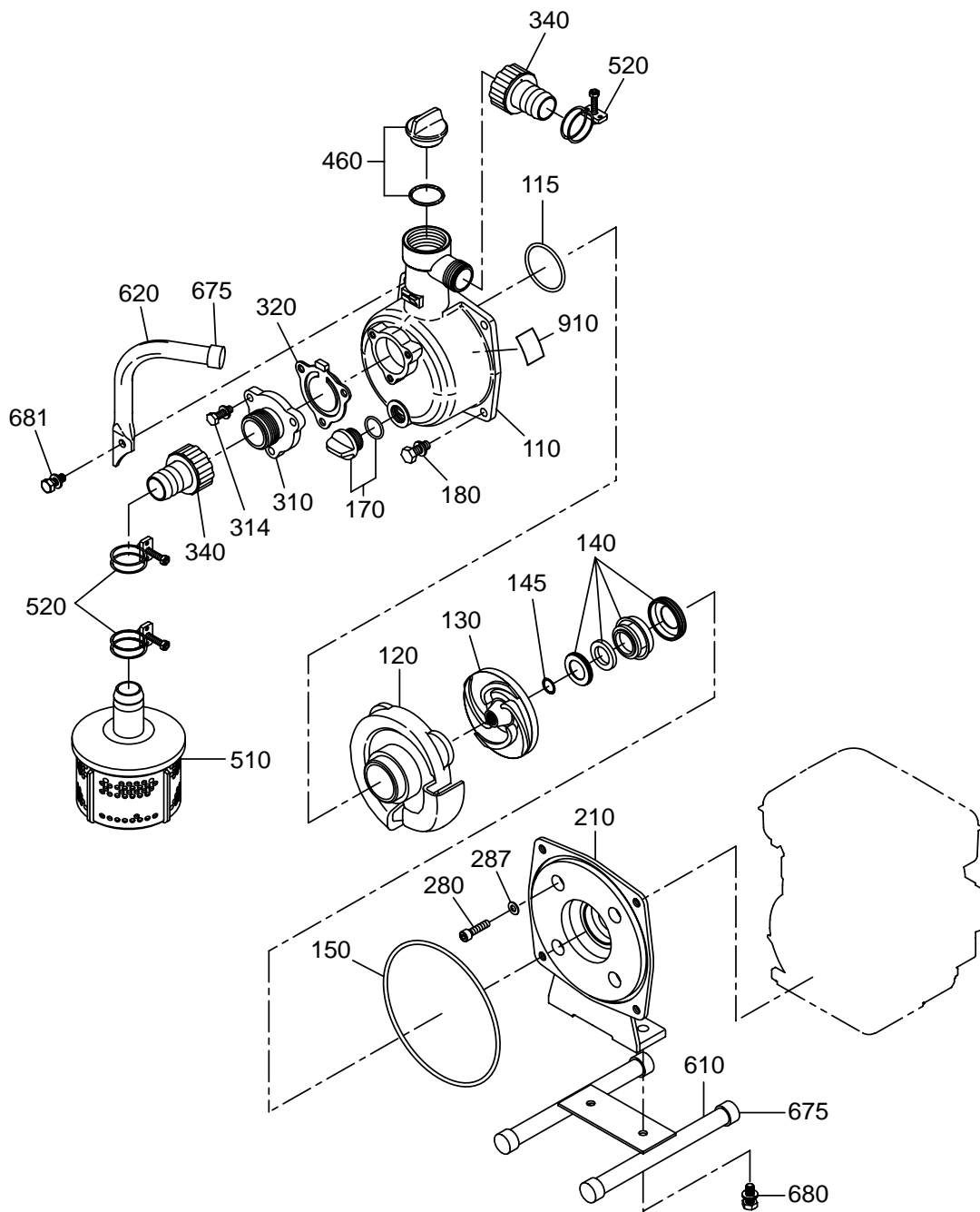


# FIG.900 ACCESSORIES, LABEL GROUP





**FIG.4200 PUMP GROUP**



# FIG.4200 PUMP GROUP

└ Interchangeability

Ref. No.	Part Number	Description	Q'ty	Execution
110	470-01151-08	CASING	1	
115	471-00000-14	O RING	1	
120	470-01125-28	INNER CASING	1	
130	470-01149-93	IMPELLER	1	
140	470-01160-54	MECHANICAL SEAL	1	
145	470-01402-51	ADJUSTING WASHER	3	
150	471-00000-15	O RING	1	
170	470-01480-10	PLUG AY	1	
180	471-00000-60	BOLT AND WASHER AY (M6x20L)	3	
210	470-01149-92	CASING COVER	1	
280	471-00000-21	SOCKET HEAD BOLT (M5x40L)	4	
287	471-00000-22	SEAL WASHER	4	
310	470-01133-25	VALVE CASE	1	
314	471-00000-54	BOLT AND WASHER AY (M8x20L)	3	
320	470-01133-26	CHECK VALVE	1	
340	470-03481-24	HOSE COUPLING(ABS)	2	
460	470-01184-50	PLUG AY	1	
510	470-01181-93	STRAINER	1	
520	471-00000-10	HOSE BAND	3	
610	470-01176-76	SET BASE	1	
620	470-01162-86	HANDLE	1	
675	470-01125-76	RUBBER	5	
680	471-00000-61	BOLT AND WASHER AY (M8x16L)	2	
681	471-00000-62	BOLT AND WASHER AY (M8x22L)	1	
910	470-01162-18	LABEL (PUMP NAME)	1	