



# PARTS CATALOG

# Robin

# Pump

Model

# *PKX201ST*

Spec. No. PKX201ST360  
(EX130D10050)



**FUJI HEAVY INDUSTRIES LTD.**  
INDUSTRIAL PRODUCTS COMPANY

ISSUE EMD - PP5899
ISSUE DATE 2003.6

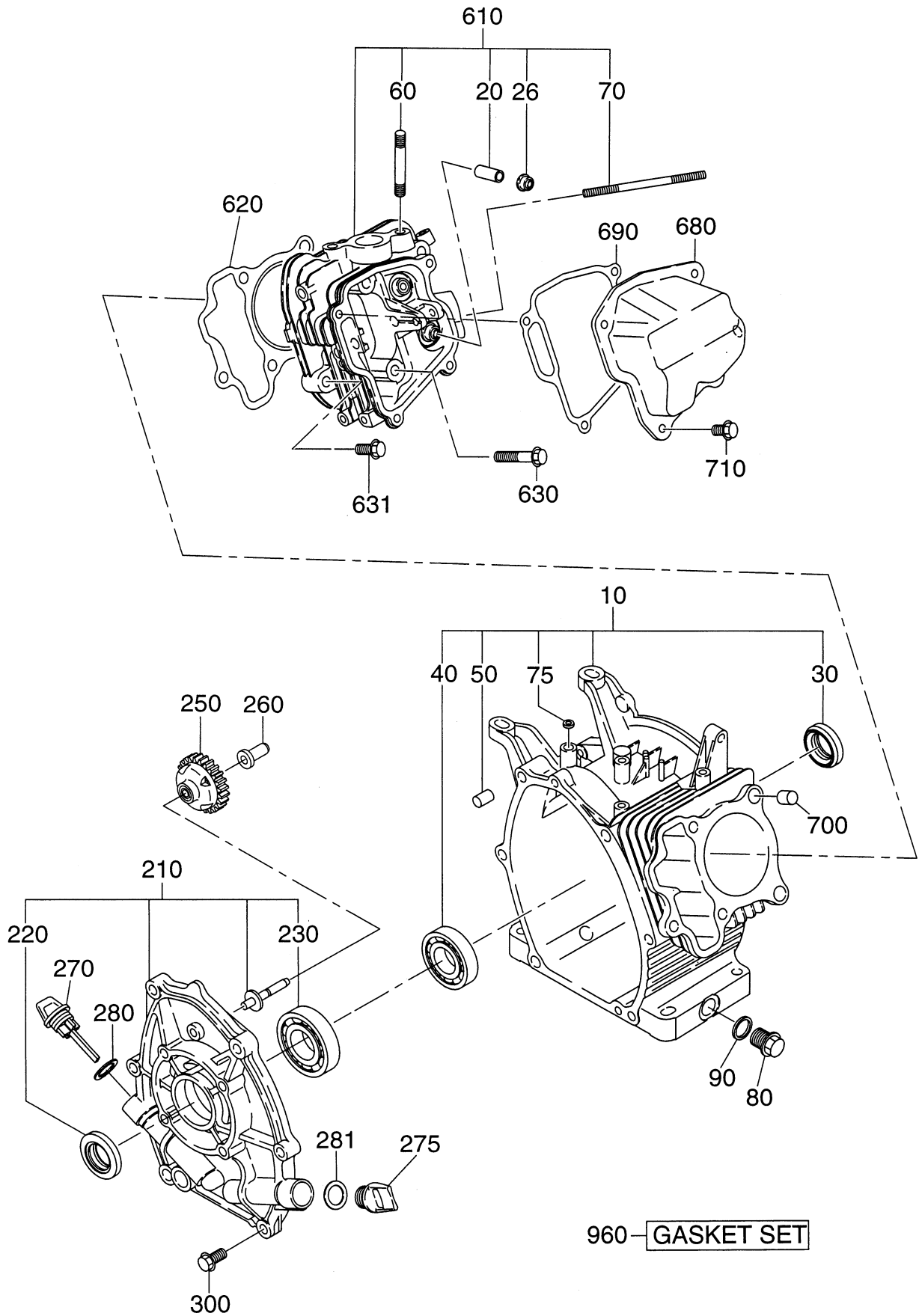
# HOW TO USE THIS PARTS CATALOG

REF.	PART NUMBER	PART NAME	QTY	REMARKS	CODE NO. FROM-TO	INTERCHANGEABLE PART NUMBER	UNIT PRICE	FIG.
10	281-60101-01	FUEL TANK CP	1	2.8L NEW R YELLOW	-			600
20	073-20044-50	LABEL (CAUTION)	1	38X70	-			600
30	043-04300-15	FUEL TANK CAP CP	1	43DX68DX14H	5296-			600
	043-04301-00	FUEL TANK CAP CP	1		-5295			600
40	064-13600-10	FUEL FILTER	1	36DX46DX43H	-			600
50	064-20064-00	FUEL STRAINER AY	1		-			630
- 1	064-20064-20	FILTER	1		-			630
- 2	064-20064-10	PACKING	1		-			630
- 3	064-20042-10	CUP, STRAINER	1		-			630

- ① **SECTION NAME** ..... Parts are broadly classified according to their functions. Refer to section indexes(contents)for respective section name.
- ② **FIG.No**..... It indicates illustration number. FIG.No. with the same figure in the third of hundreds shows that it is in a group of the same section. FIG.No. illustrating the target part can be read in the right-end section of the list.
- ③④ **REF.No.** ..... It is a number to compare the part illustrated with the part number in the list.Serch for REF.No. in the list in the corresponding REF.No. in the illustration to determine the part number.  
Section ④ shows a 'SUB-ASSEMBLY PART' of section ③ which is indicated by the number led by '-' such as '-1','-2'.
- ⑤ **PART NUMBER** ..... It is the number assigned for sales unit.  
Use the PART No. when marking an order.
- ⑥ **PART NAME**..... It is designation of the part.
- ⑦ **Q'ty** ..... Quantity of part being employed for each product.
- ⑧ **REMARKS** ..... This gives a distinctive feature and/or a supplementary comment for the type,the specification, and the part concerned.
- ⑨ **INTERCHANGEABLE... PART NUMBER** ⑤. It shows part number(s) interchangeable for the part given in the section
- ⑩ **CODE No.** ..... It indicates history of progress in which improved parts have been introduced in the product.The CODE No. helps to identify PART No. being employed in the product concerned.

—	The part has been employed in the product irrespective of CODE No.
5296—	The part is employed in the products with CODE No. of 5296 and after this number.
—5295	The part is employed in the products with CODE No. of 5295 and before this number.

FIG. 100



1 CRANK CASE

REF.	PART NUMBER	PART NAME	QTY	REMARKS	CODE NO. FROM-TO	INTERCHANGEABLE PART NUMBER	UNIT PRICE	FIG.
10	276-10102-31	CRANK CASE CP	1	W/OIL SENSOR	5692-	276-10102-41		100
	276-10102-21	CRANK CASE CP	1	W/OIL SENSOR	-5691	276-10101-31		100
20	237-14202-03	VALVE GUIDE	2	5.5DX9.5DX27L	-			100
26	277-16010-01	STEM SEAL	1	5.5DX9.5DX15DX7.8B	-			100
30	044-02502-00	OIL SEAL	1	25DX38DX7B	-			100
40	060-02800-21	BALL BEARING	1	62/28 28DX58DX16B	5723-			100
	060-02800-20	BALL BEARING	1	62/28 28DX58DX16B	-5722	060-02800-21		100
50	277-15011-03	PIPE KNOCK	2	10.3DX8.5DX14L	-			100
60	010-50802-50	STUD	2	M8X1.25X25L	-			100
70	010-50603-51	STUD	2	M6X1.0X98L	-			100
75	044-00600-20	OIL SEAL	1	6DX10DX2.5B	-			100
80	040-11400-30	PLUG	2	M14X1.5X20DX12L	-			100
90	021-11400-20	GASKET	2	14.1DX19DX2.3T	-			100
210	277-11001-31	MAIN BEARING COVER C	1	FLANGE 4-M8X1.25	5784-			100
	277-11001-21	MAIN BEARING COVER C	1	FLANGE 4-M8X1.25	5753-5783	277-11001-31		100
	277-11001-11	MAIN BEARING COVER C	1	FLANGE 4-M8X1.25	-5752	277-11001-21		100
220	044-02502-10	OIL SEAL	1	25DX41.25DX6B	-			100
230	060-02501-40	BALL BEARING	1	6205 25DX52DX15B	5784-			100
	060-02500-10	BALL BEARING	1	6205 25DX52DX15B	-5783			100
250	277-45004-21	GOVERNOR GEAR CP	1	53DX28.8T N=33	-			100
260	263-41901-03	GOVERNOR SLEEVE	1	6DX7.6DX16DX26L	-			100
270	277-63601-13	OIL GAUGE	1	M18X1.5 L=70+18	5814-			100
	277-63601-03	OIL GAUGE	1	M18X1.5 L=70+18	-5813	277-63601-13		100
275	277-65001-03	FILLER PLUG	1		-			100
280	021-31600-20	GASKET	1	16DX23DX1.2T RUBBER	-			100
281	021-31600-20	GASKET	1	16DX23DX1.2T RUBBER	-			100
300	001-04083-50	FLANGE BOLT	6		-			100
610	276-13001-01	CYLINDER HEAD CP	1		-			100
620	276-15001-13	GASKET (HEAD)	1	T=0.2	-			100
630	011-00802-40	FLANGE BOLT	4	M8X1.25X16DX68L	-			100
631	001-04083-50	FLANGE BOLT	1		-			100
680	277-15501-01	ROCKER COVER CP	1		-			100
690	277-16001-03	GASKET (ROCKER COVER)	1	T=0.7	-			100
700	277-15011-03	PIPE KNOCK	2	10.3DX8.5DX14L	-			100
710	011-00600-20	FLANGE BOLT	4	M6X1.0X14DX12L	-			100
960	276-99001-07	GASKET SET	1		-			100

FIG. 200

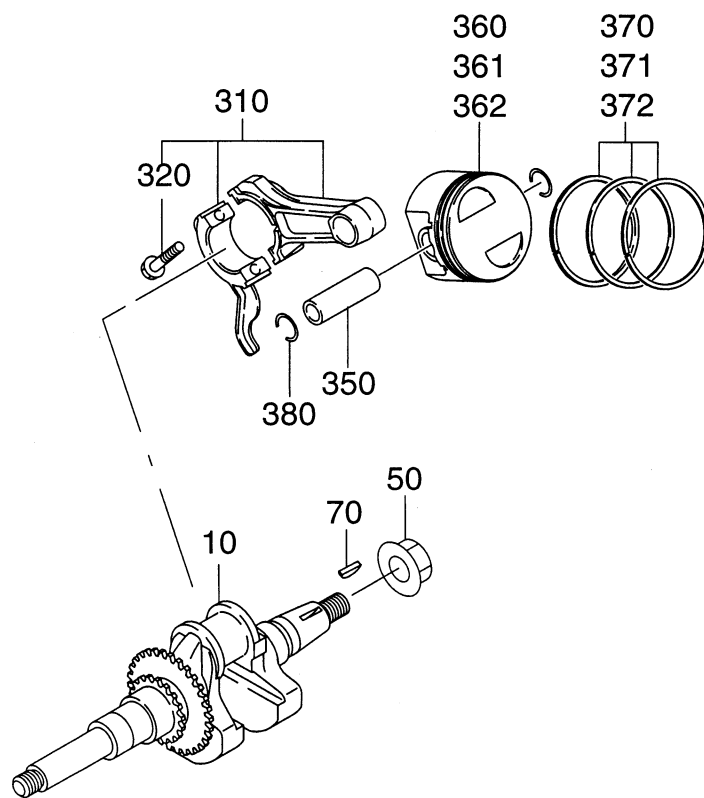




FIG. 300

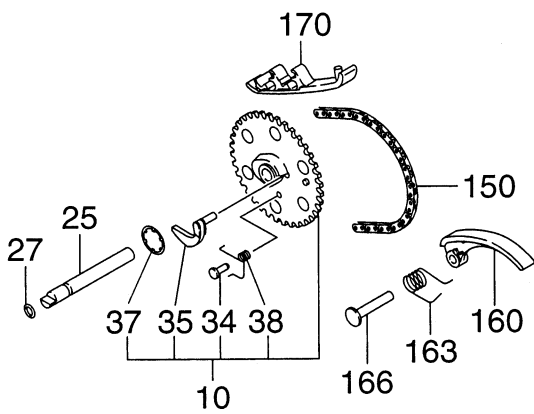
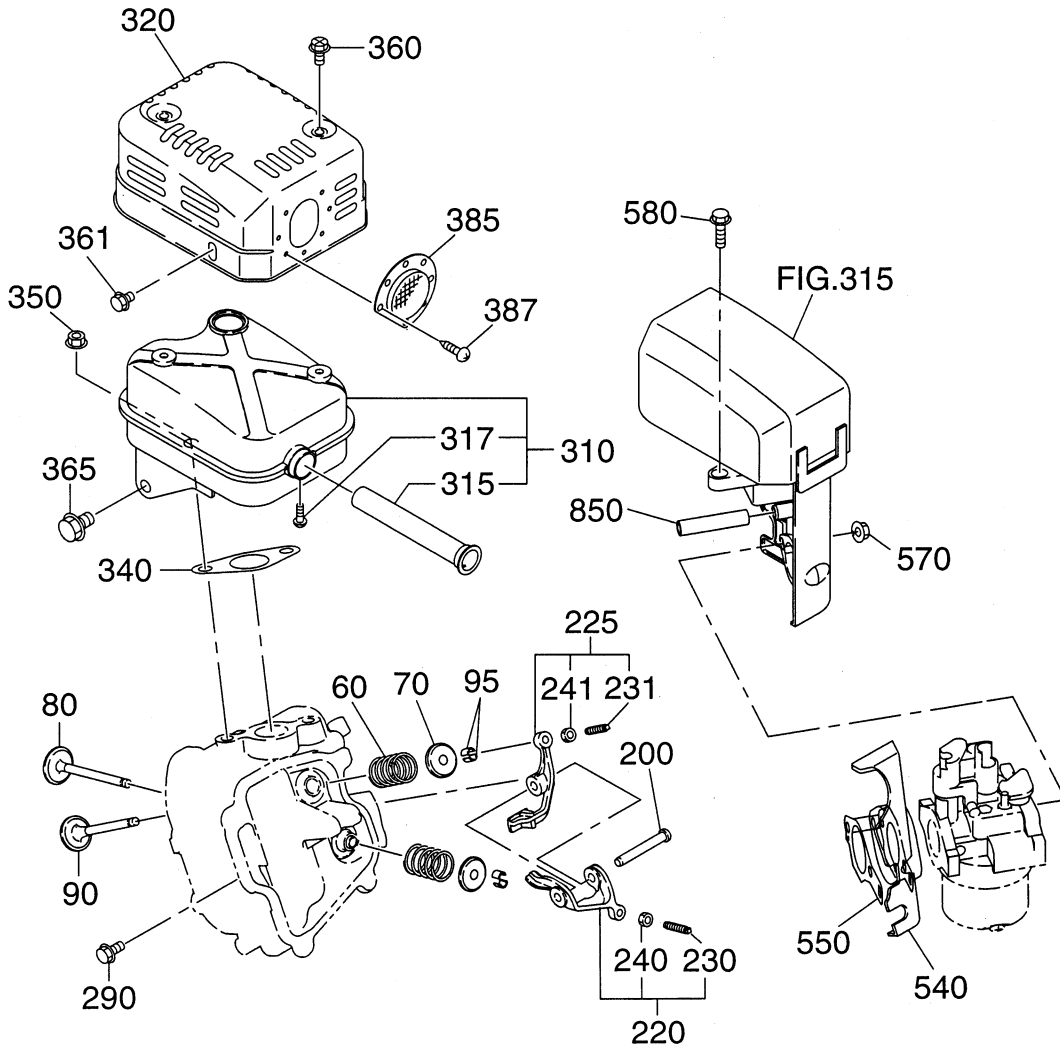
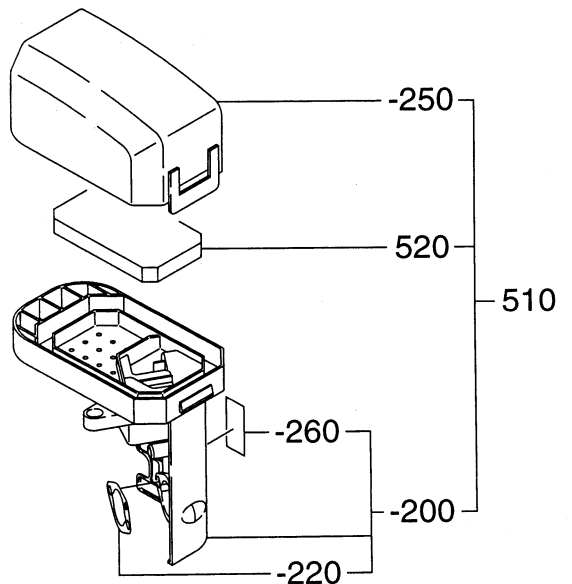


FIG. 315



3 INTAKE EXHAUST

REF.	PART NUMBER	PART NAME	QTY	REMARKS	CODE NO. FROM-TO	INTERCHANGEABLE PART NUMBER	UNIT PRICE	FIG.
10	277-31601-01	CAM SHAFT CP	1	85DX2. 9B N=40	-			300
25	277-35101-03	PIN(CAM SHAFT)	1	9DX78. 5L	-			300
27	024-00600-10	O RING	1	5. 8DX9. 6D	-			300
34	277-38601-03	PIN(SPRING)	1	4DX8DX9L	-			300
35	277-36401-03	RELEASE LEVER	1		-			300
37	277-36501-03	CLIP	1	13. 8DX20. 3DX0. 4T	-			300
38	277-38701-03	RETURN SPRING	1		-			300
60	279-33601-03	VALVE SPRING	2		-			300
70	269-33701-03	SPRING RETAINER	2		-			300
80	276-33401-33	INTAKE VALVE	1	22DX5. 5DX68L	-			300
90	276-33501-33	EXHAUST VALVE	1	18. 5DX5. 5DX68L	-			300
95	132-10KA0-31	COLLET-VALVE	4		-			300
150	276-35601-01	TIMING CHAIN CP	1	86 LINK	-			300
160	277-36911-03	TENTIONER	1		-			300
163	277-37101-03	SPRING(TENTIONER)	1		-			300
166	277-36902-03	PIN(TENTIONER)	1	6DX13DX34L	-			300
170	277-36913-13	CHAIN GUIDE	1		-			300
200	277-35001-23	PIN(ROCKER)	1	6DX9DX41L	5692-			300
	277-35001-13	PIN(ROCKER)	1	6DX9DX41L	-5691	277-35001-23		300
220	277-36101-00	ROCKER ARM(IN) AY	1		-			300
225	277-36102-00	ROCKER ARM(EX) AY	1		-			300
230	014-90500-10	ADJUST SCREW	1	M5X0. 5X23L	-			300
231	014-90500-10	ADJUST SCREW	1	M5X0. 5X23L	-			300
240	017-00500-20	NUT	1	M5X0. 5X4. 1H	-			300
241	017-00500-20	NUT	1	M5X0. 5X4. 1H	-			300
290	011-00600-20	FLANGE BOLT	1	M6X1. 0X14DX12L	-			300
310	276-30111-00	MUFFLER AY	1	W/SPARK ARRESTER	5845-			300
	276-30101-11	MUFFLER CP	1		-5844			300
315	277-37601-01	SPARK ARRESTER CP	1		-			300
317	015-00400-60	TAPPING SCREW	1	M4X6L	-			300
320	276-34201-01	MUFFLER COVER CP	1		5814-5964			300
	277-34201-11	MUFFLER COVER CP	1		5784-5813			300
	277-34201-01	MUFFLER COVER CP	1		-5783	277-34201-11		300
340	277-35201-03	GASKET(MUFFLER)	1	T=0. 2 26D 9DX58P	-			300
350	980-20082-80	FLANGE NUT	2		-			300
360	015-20600-90	TAPPING BOLT	2	M6X13DX10L	-			300





FIG. 400

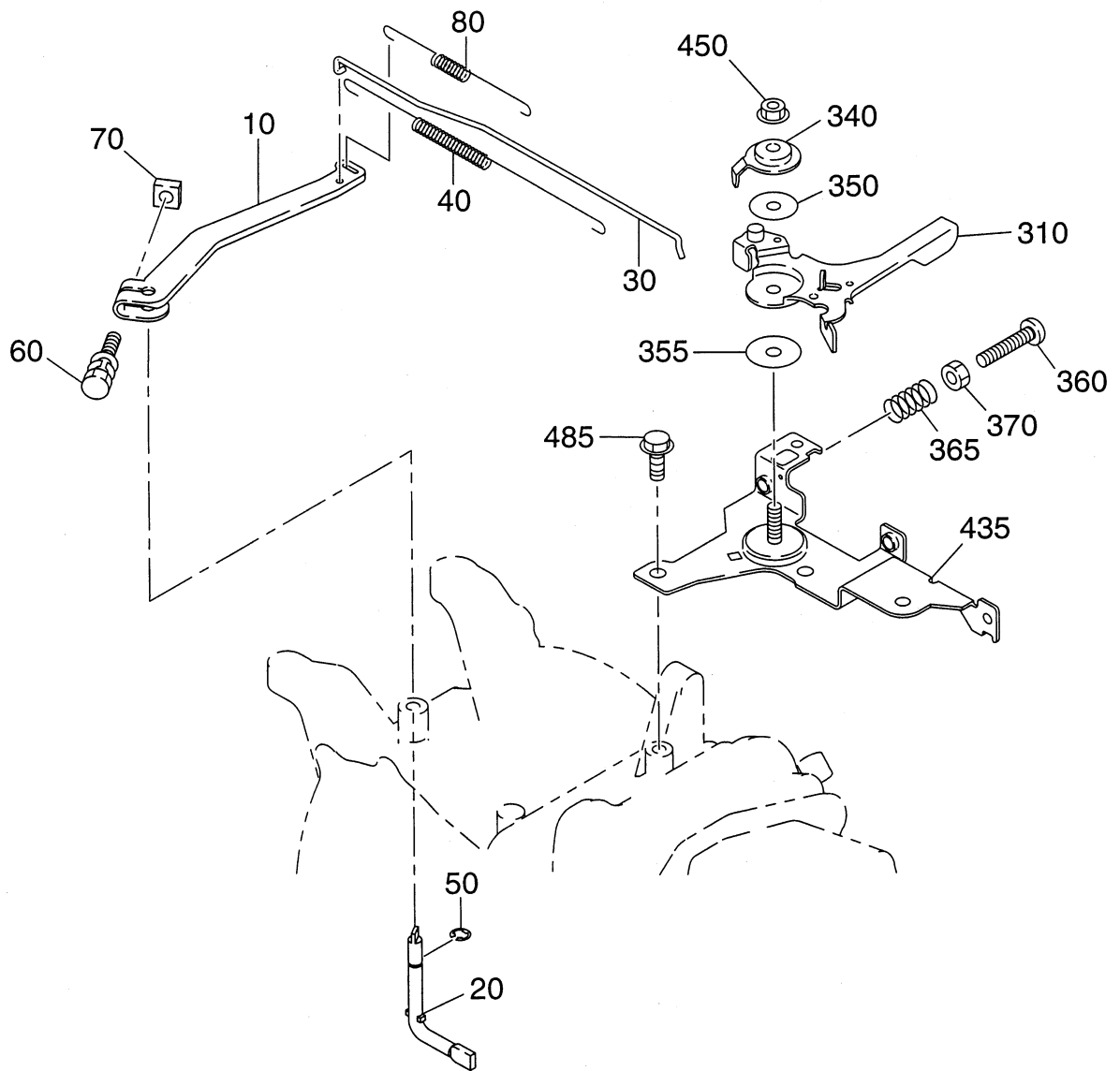




FIG. 500

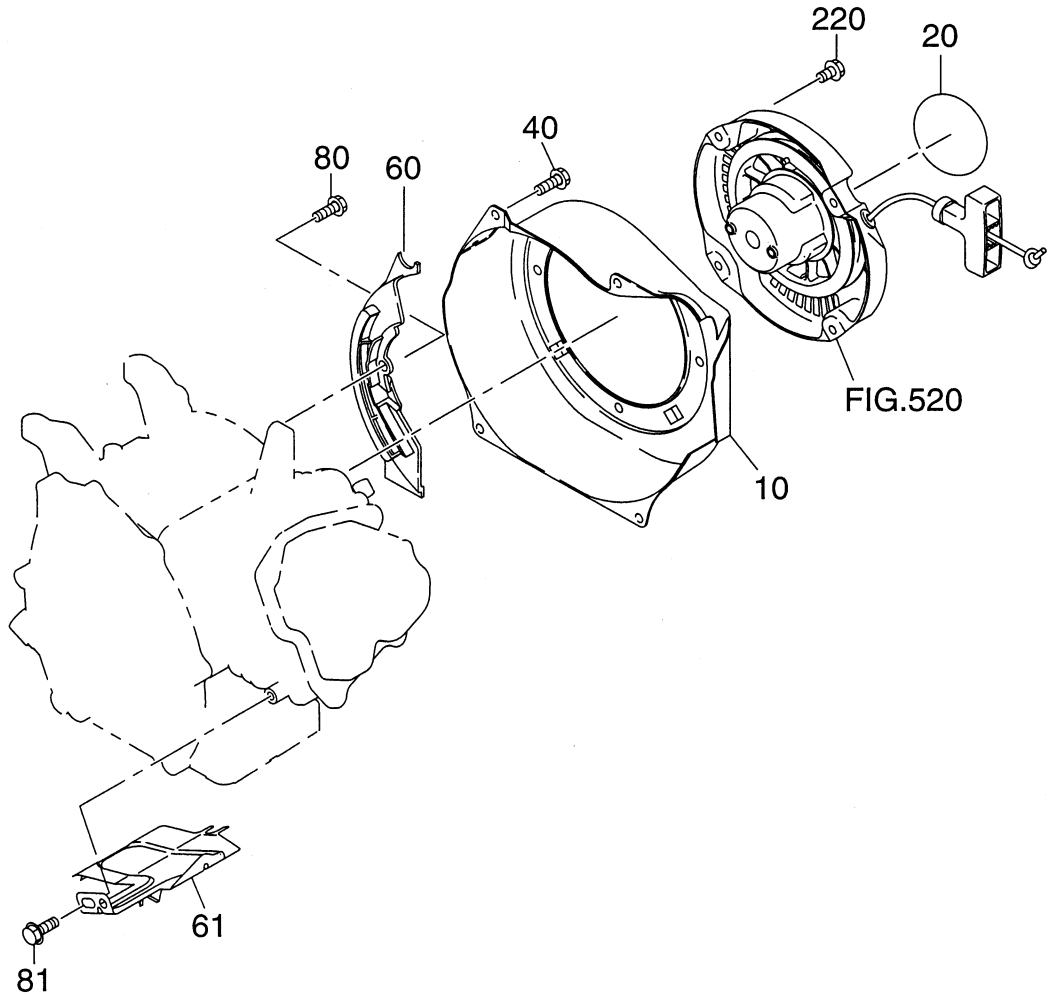


FIG. 520

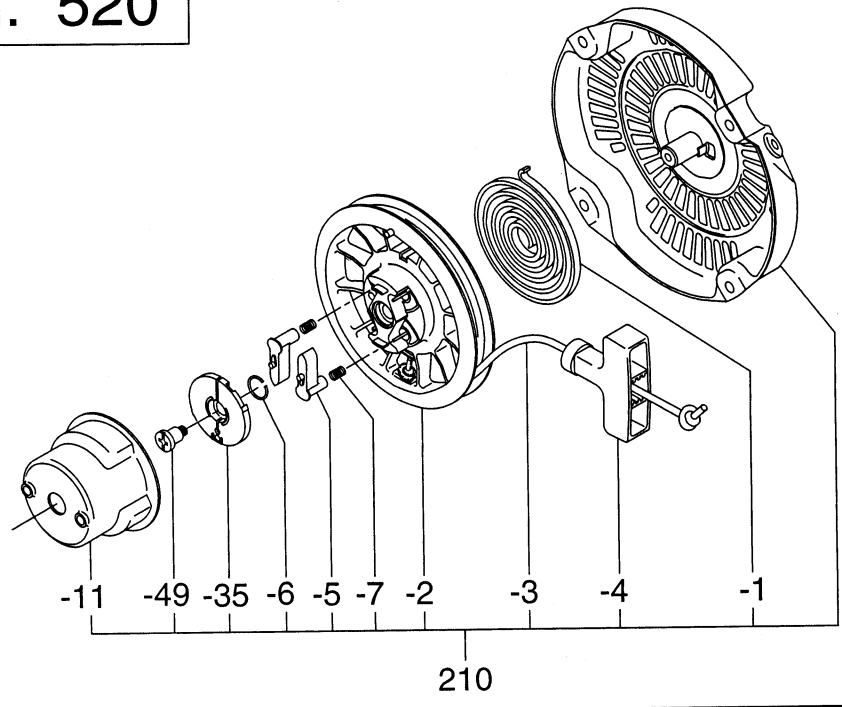




FIG. 600

FIG. 640

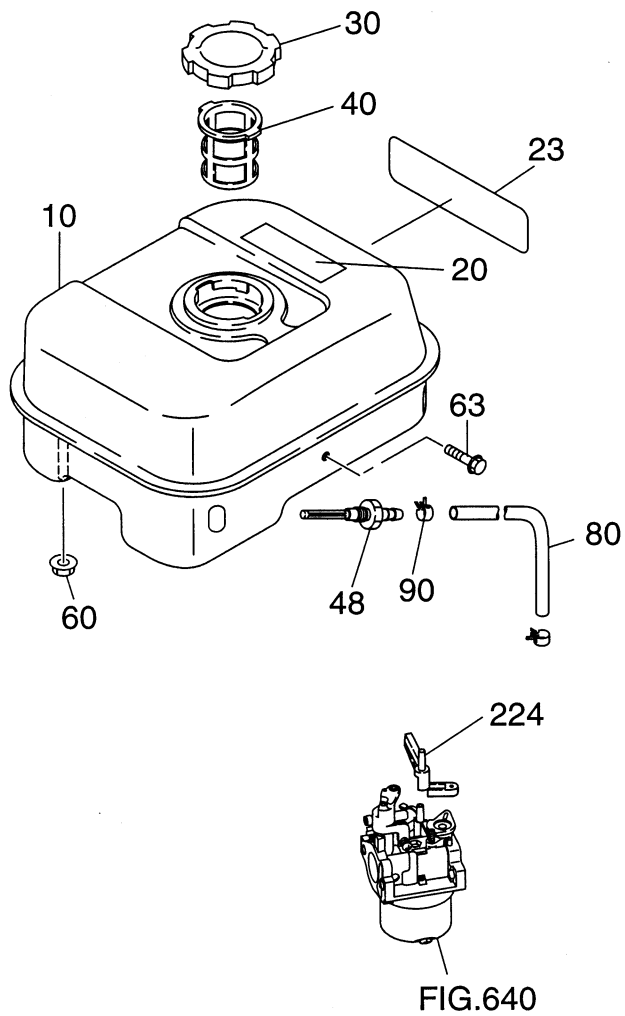
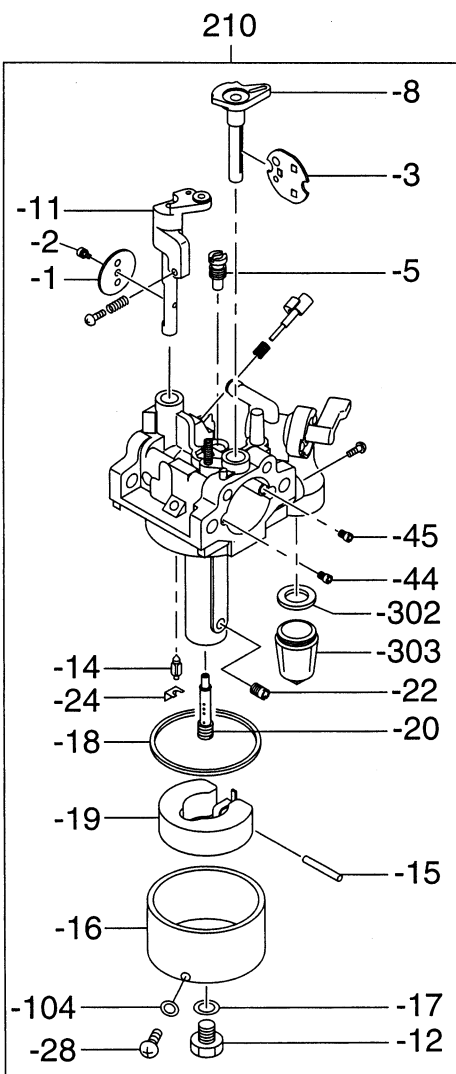




FIG. 700

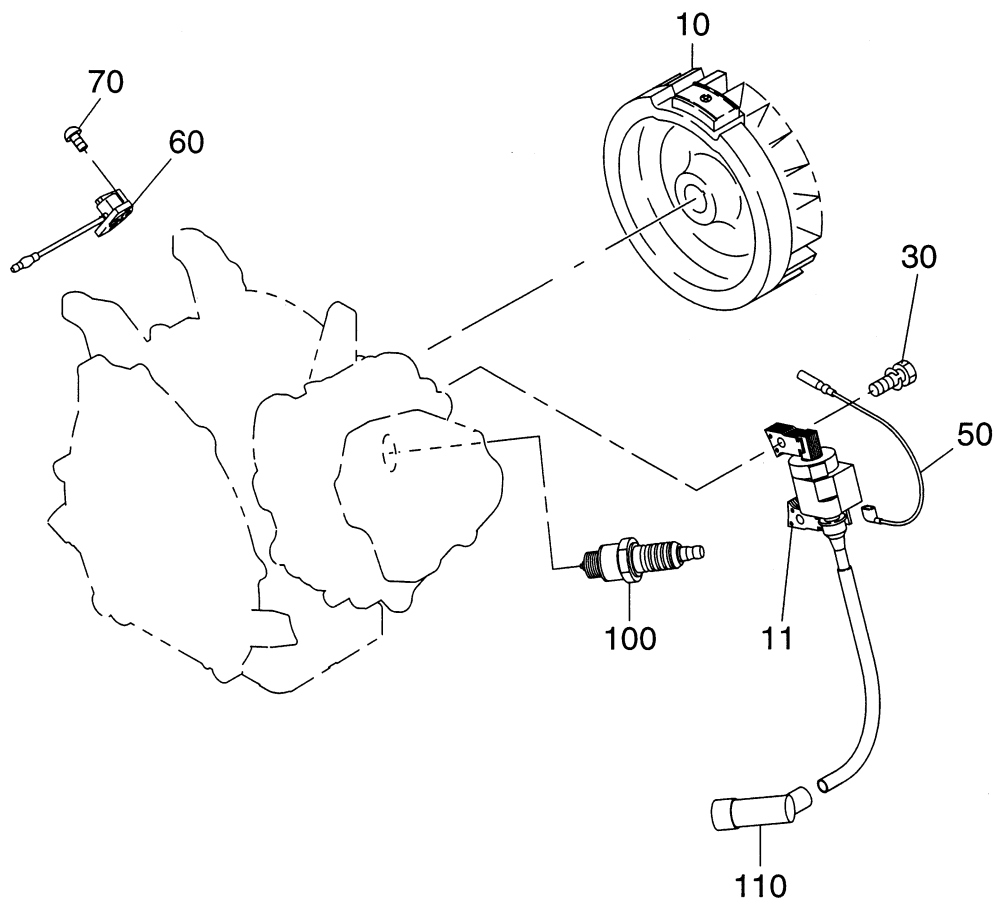




FIG. 770

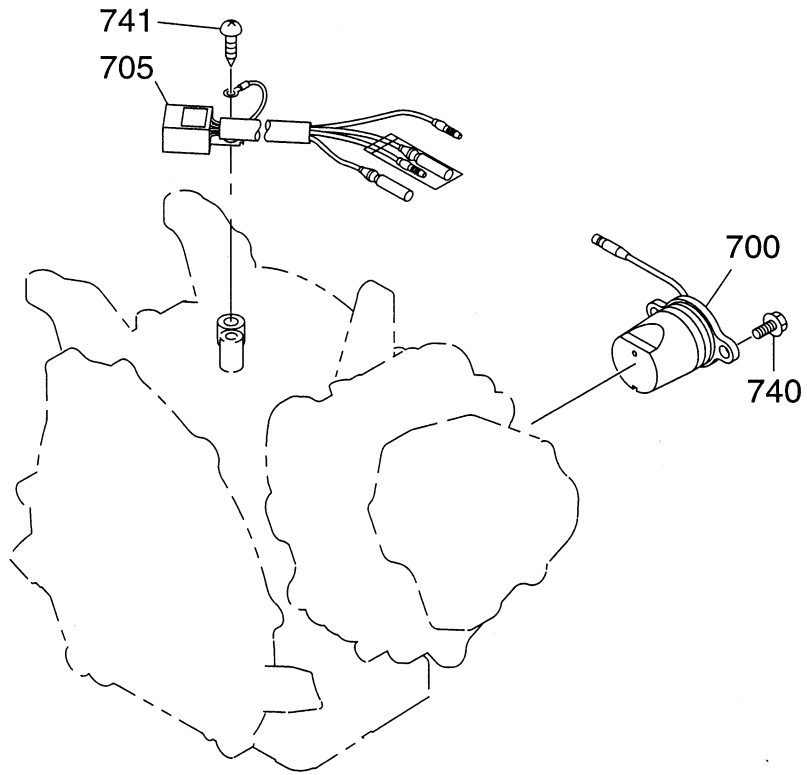




FIG. 900

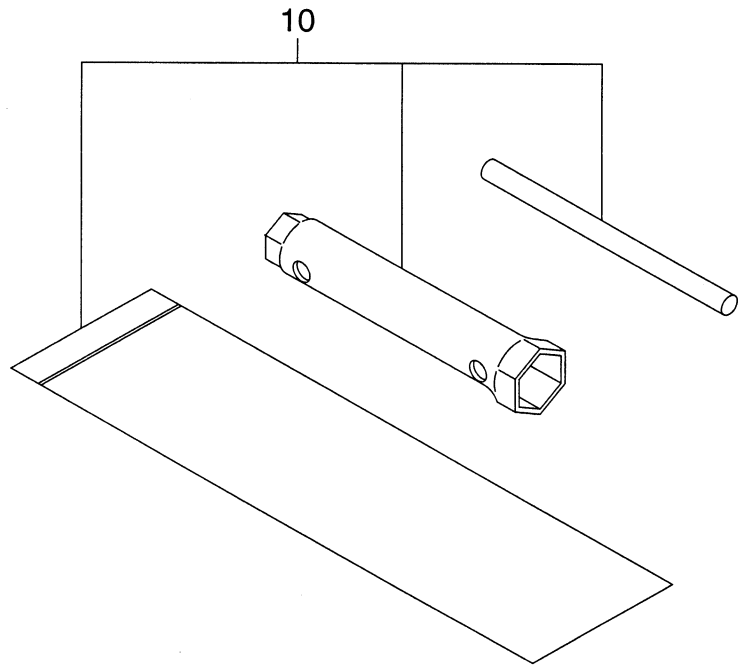




FIG. 4200

