

**Model PTG110**

**PARTS CATALOG**

<b>Model</b>	<b>Spec. No. (Engine.)</b>
<b>PTG110</b>	<b>PTG11000010 (EC025GR5007)</b>
	<b>PTG11000020 (EC025GR5007)</b>

## Table of abbreviations

ABBREVIATIONS	DESCRIPTION
A	AMPERE
AC	AIR CLEANER
AY	ASSEMBLY
B	BREADTH
BB	BALL BEARING
CD	CENTER DISTANCE
CP	COMPLETE
D	DIAMETER
EX	EXPORT
EX	EXHAUST
FIG	FIGURE
FR	FRONT
H	HEIGHT
HZ	HERTZ
IN	INCH
IN	INTAKE
L	LITER
L	LENGTH
LH	LEFT HAND
MG	MAGNETIC
N	NUMBER
N R Y	NEW ROBIN YELLOW
OS	OIL SENSOR
O.S.	OVER SIZE
P	PITCH
PD	PITCH DIAMETER
PTO	POWER TAKE OFF
REF	REFERENCE
RH	RIGHT HAND
RR	REAR
ST	STARTER
STD	STANDARD
SW	SPRING WASHER
SW	SWITCH
T	THICKNESS
TH	THROTTLE
UN	UNIT
U.S.	UNDER SIZE
V	VOLTAGE
W	WASHER
W	WATT
W	WIDTH
W/	WITH
W/O	WITHOUT

# CONTENTS

## ENGINE PARTS

		FIG.
1	CRANKCASE	100
2	CRANKSHAFT, PISTON	200
3	INTAKE, EXHAUST	300,315
5	COOLING, STARTING	500,520
6	FUEL, LUBRICANT	600,645
7	ELECTRIC DEVICE	700
9	ACCESSORIES	900

## PUMP PARTS

42	PUMP	4200
----	------	------

FIG. 100

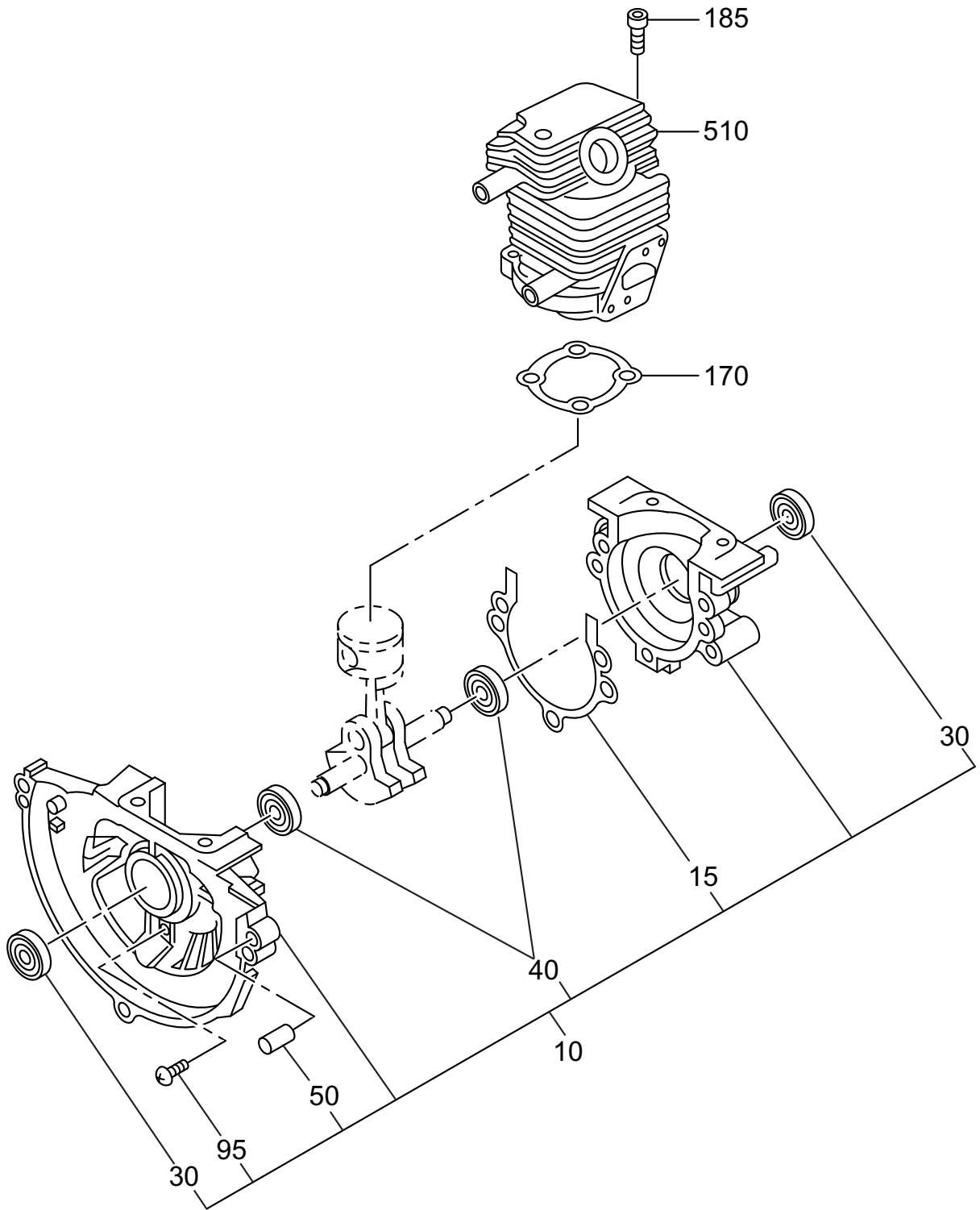




FIG. 200

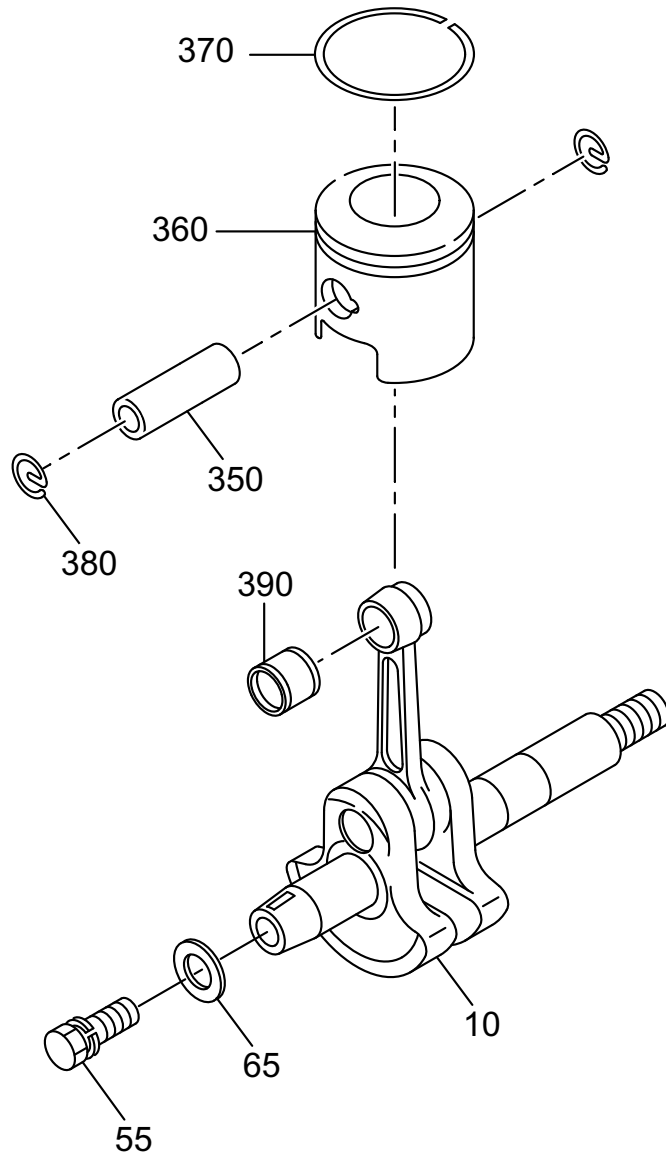




FIG. 300

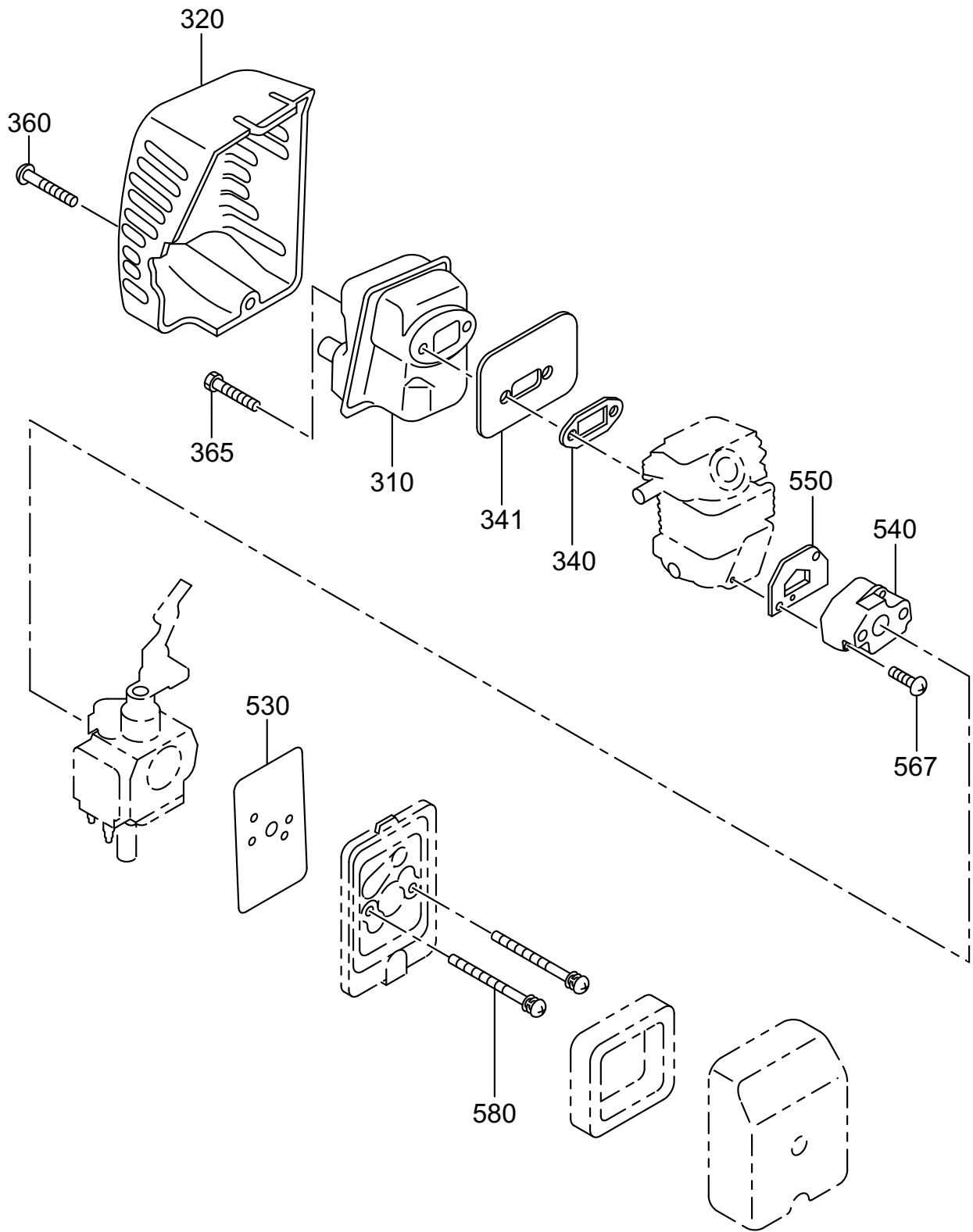






FIG. 315

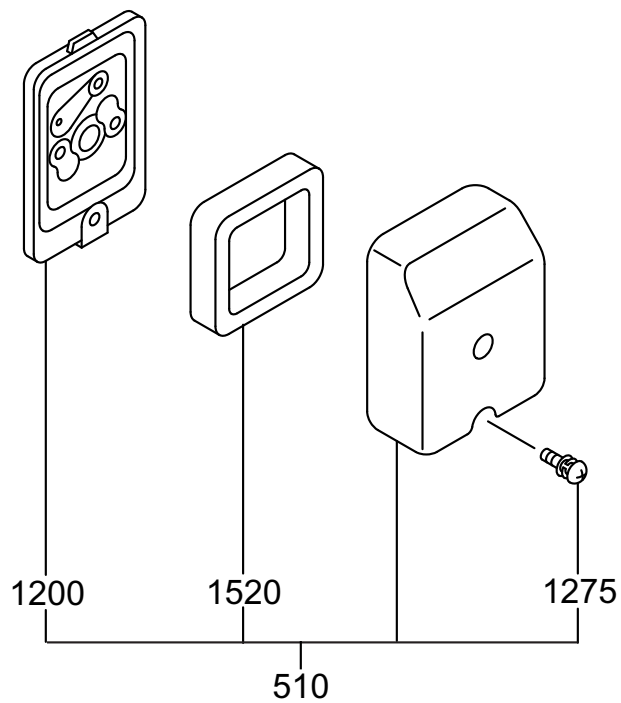




FIG. 500

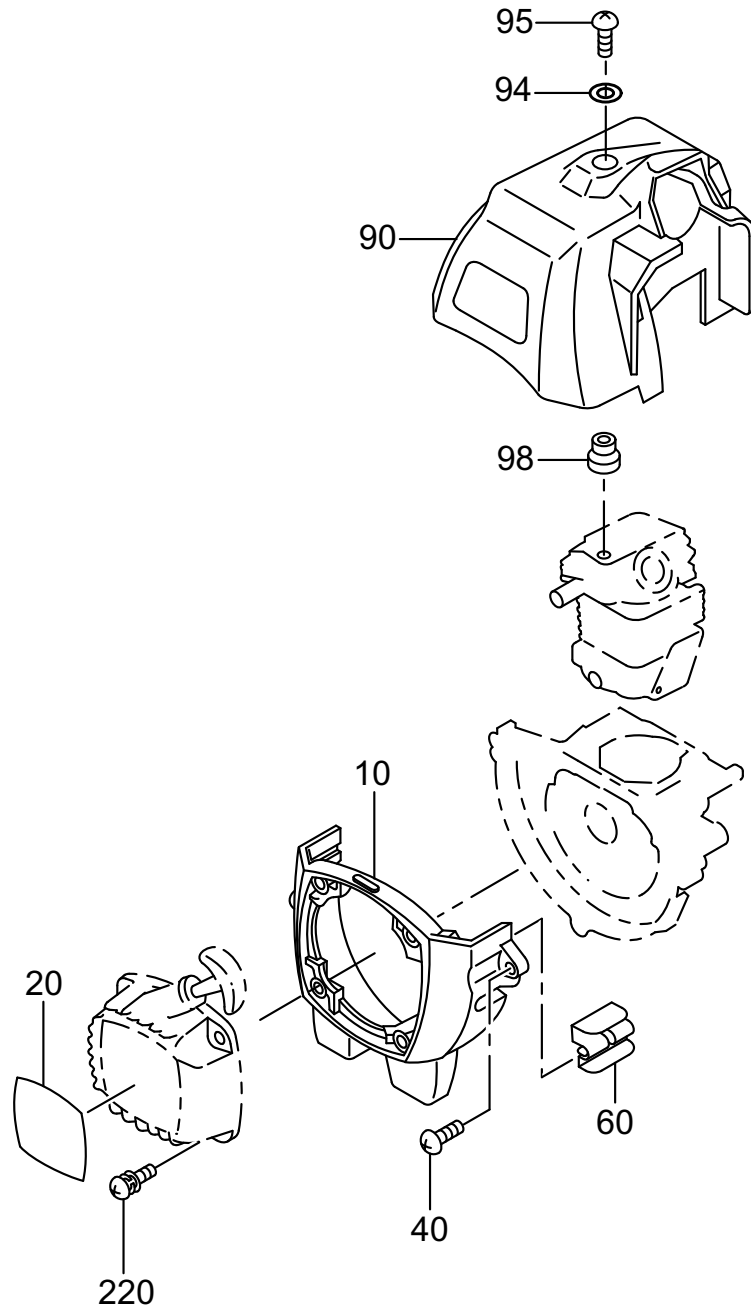




FIG. 520

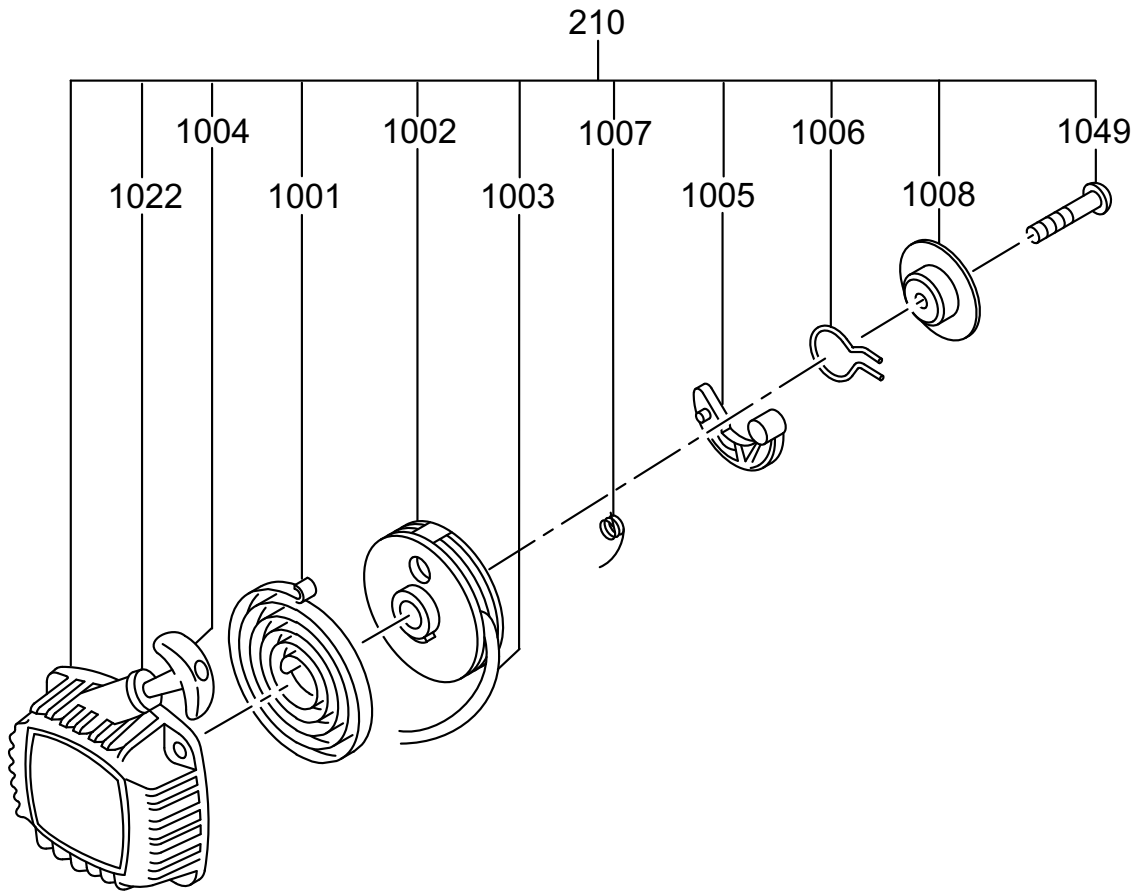




FIG. 600

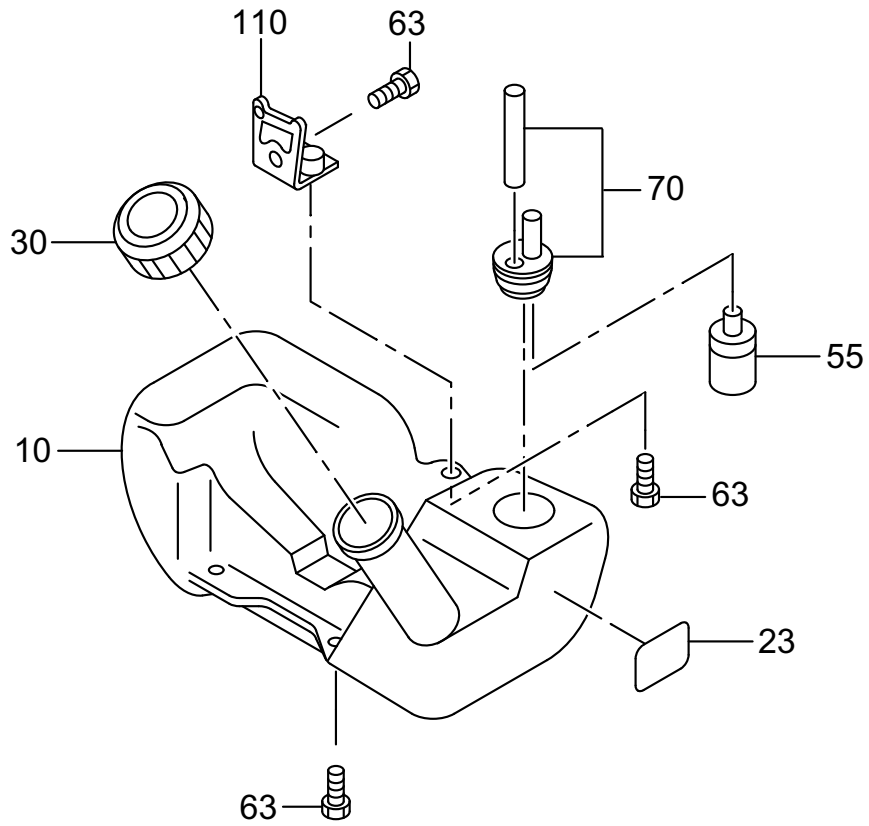










FIG. 700

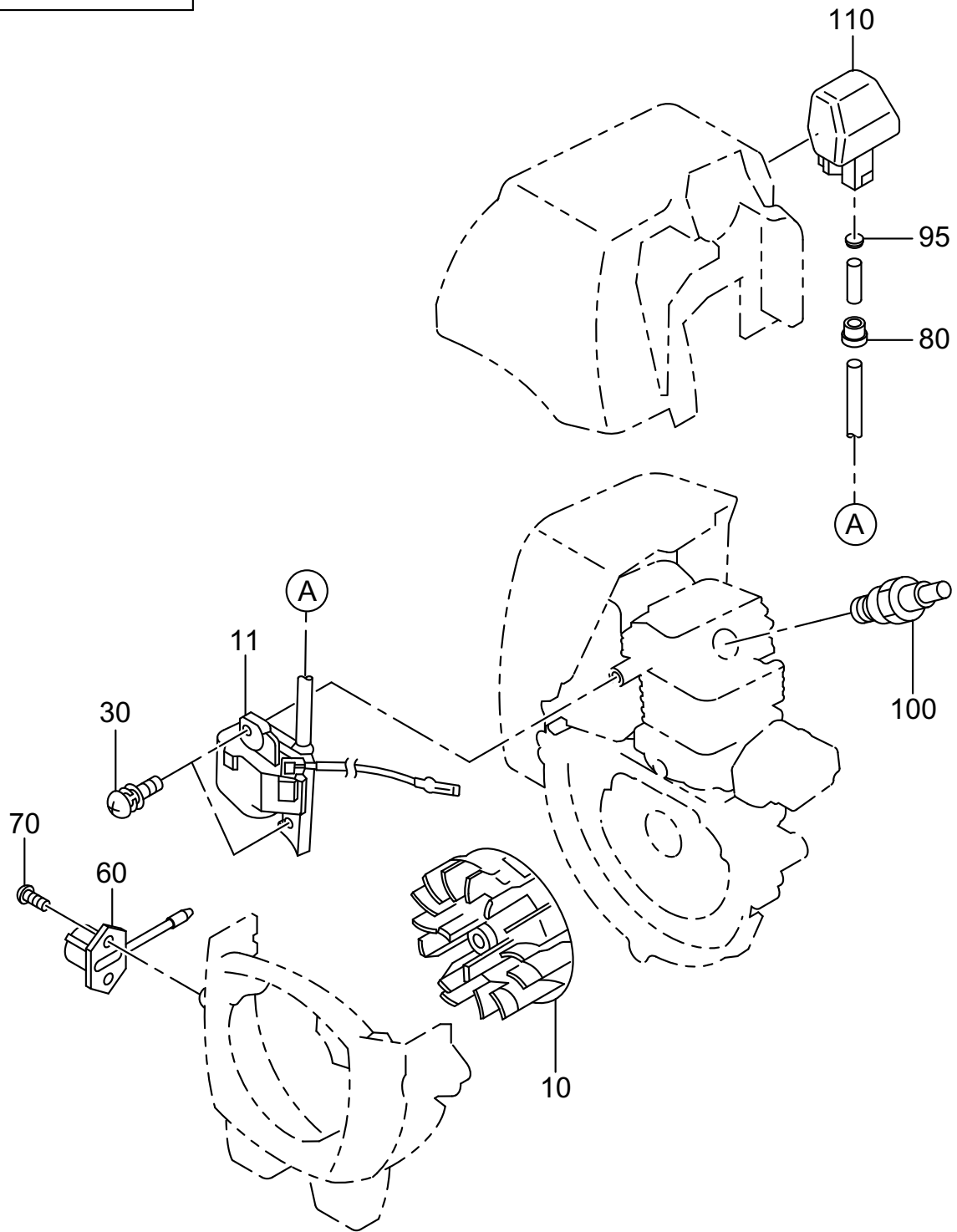




FIG. 900

