



PARTS CATALOG

Robin

Pump

Model

PTX301T

Spec. No. PTX301T0000
(EX270D10110)
PTX301T0010
(EX270D10120)

FUJI HEAVY INDUSTRIES LTD.
INDUSTRIAL PRODUCTS COMPANY

ISSUE EMD-PP6202
ISSUE DATE 2005.6

HOW TO USE THIS PARTS CATALOG

REF.	PART NUMBER	PART NAME	QTY	REMARKS	CODE NO. FROM-TO	INTERCHANGEABLE PART NUMBER	UNIT PRICE	FIG.
	① 6 FUEL LUBRICANT							
10	281-60101-01	FUEL TANK CP	1	2.8L NEW R YELLOW	-			600
20	073-20044-50	LABEL (CAUTION)	1	38X70	-			600
30	043-04300-15	FUEL TANK CAP CP	1	43DX68DX14H	5296-			600
	043-04301-00	FUEL TANK CAP CP	1		-5295			600
40	064-13600-10	FUEL FILTER	1	36DX46DX43H	-			600
50	064-20064-00	FUEL STRAINER AY	1		-			630
- 1	064-20064-20	FILTER	1		-			630
- 2	064-20064-10	PACKING	1		-			630
- 3	064-20042-10	CUP, STRAINER	1		-			630

- ① **SECTION NAME** Parts are broadly classified according to their functions.
Refer to section indexes(contents)for respective section name.
- ② **FIG.No**..... It indicates illustration number. FIG.No. with the same figure in the third of hundreds shows that it is in a group of the same section. FIG.No. illustrating the target part can be read in the right-end section of the list.
- ③④ **REF.No.** It is a number to compare the part illustrated with the part number in the list. Serch for REF.No. in the list in the corresponding REF.No. in the illustration to determine the part number.
Section ④ shows a 'SUB-ASSEMBLY PART' of section ③ which is indicated by the number led by '-' such as '-1','-2'.
- ⑤ **PART NUMBER** It is the number assigned for sales unit.
Use the PART No. when marking an order.
- ⑥ **PART NAME**..... It is designation of the part.
- ⑦ **Q'ty** Quantity of part being employed for each product.
- ⑧ **REMARKS** This gives a distinctive feature and/or a supplementary comment for the type,the specification, and the part concerned.
- ⑨ **INTERCHANGEABLE**... It shows part number(s) interchangeable for the part given in the section
PART NUMBER ⑤.
- ⑩ **CODE No.** It indicates history of progress in which improved parts have been introduced in the product.The CODE No. helps to identify PART No. being employed in the product concerned.

-	The part has been employed in the product irrespective of CODE No.
5296-	The part is employed in the products with CODE No. of 5296 and after this number.
-5295	The part is employed in the products with CODE No. of 5295 and before this number.

Table of abbreviations/略語一覧

ABBREVIATIONS/略語	DESCRIPTION	説明
A	AMPERE	アンペア
AC	AIR CLEANER	エアクリーナ
AY	ASSEMBLY	アッセンブリ
B	BREADTH	幅
BB	BALL BEARING	ボールベアリング
CD	CENTER DISTANCE	中心間距離
CP	COMPLETE	コンプリート
CY	CYLINDER	シリンダ
D	DIAMETER	内径、外径、中心径
EX	EXPORT	輸出
EX	EXHAUST	排気
FIG	FIGURE	フィギュア (図解)
FR	FRONT	前側
H	HEIGHT	高さ
HZ	HERTZ	ヘルツ
IN	INCH	インチ
IN	INTAKE	吸入
L	LITER	リットル
L	LENGTH	長さ
LH	LEFT HAND	左側
MG	MAGNETIC	マグネチック
N	NUMBER	数、巻数
N R Y	NEW ROBIN YELLOW	新ロビン色
OS	OIL SENSOR	オイルセンサ
O. S.	OVER SIZE	オーバーサイズ
P	PITCH	ピッチ
PD	PITCH DIAMETER	中心径
PTO	POWER TAKE OFF	動力取出し
REF	REFERENCE	レファレンス (照合)
RH	RIGHT HAND	右側
RR	REAR	後側
ST	STARTER MOTOR	スターターモータ
STD	STANDARD	標準
SW	SPRING WASHER	スプリングワッシャ
SW	SWITCH	スイッチ
T	THICKNESS	厚さ
TH	THROTTLE	スロットル
UN	UNIT	ユニット
U. S.	UNDER SIZE	アンダーサイズ
V	VOLTAGE	ボルト
W	WASHER	ワッシャ
W	WATT	ワット
W	WIDTH	幅
W/	WITH	付き
W/O	WITHOUT	無し

CONTENTS

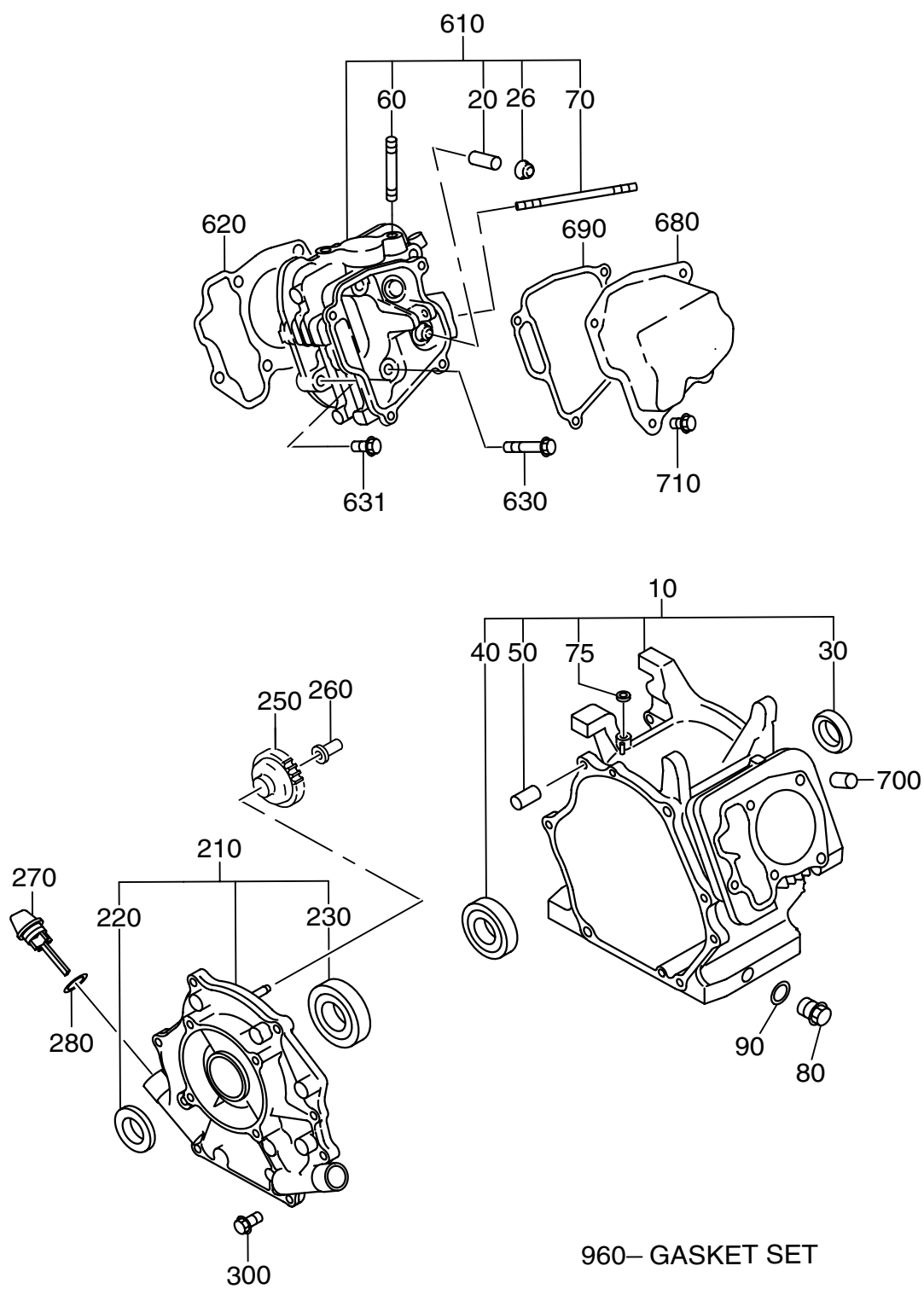
ENGINE PARTS

		FIG.
1	CRANKCASE	100
2	CRANKSHAFT, PISTON	200
3	INTAKE, EXHAUST	300,315
4	GOVERNOR, OPERATION	400
5	COOLING, STARTING	500,520
6	FUEL LUBRICANT	600,640
7	ELECTRIC DEVICE	700,770
8	ACCESSORIES	900

PUMP PARTS

42	PUMP	4200
----	------	------

FIG. 100



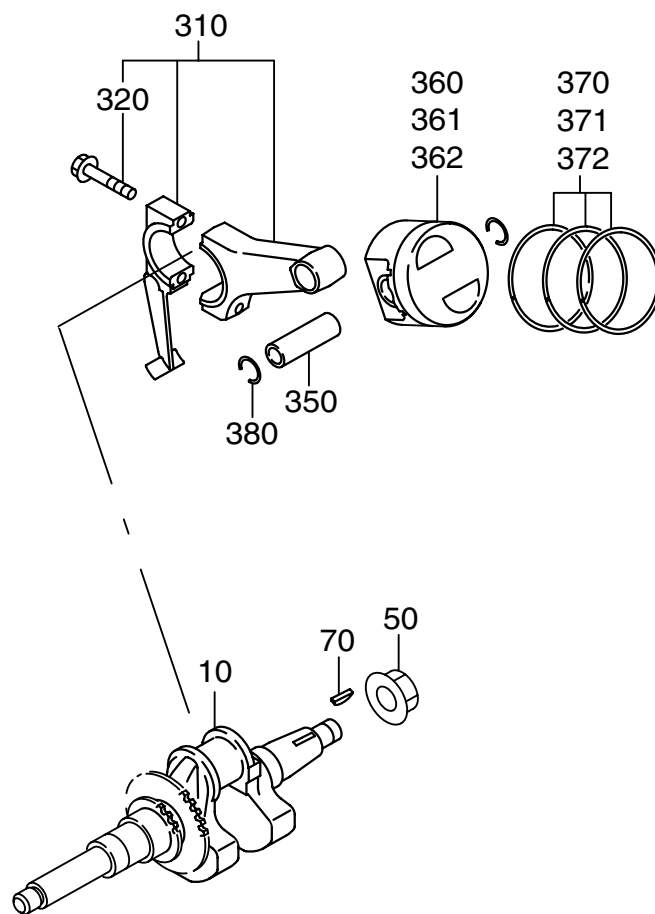
EX27

2790100113

1 CRANK CASE

REF. NO.	PART NUMBER		PART NAME		CODE NO. FROM - TO	QTY	REMARKS	INTERCHANGEABLE PART NUMBER	FIG. NO.
		PART NUMBER		SPEC. NO.					
10	279-10101-51		CRANK CASE CP		-	1			100
	279-10102-51		EX270D10120		-	1	W/OIL SENSOR		100
20	237-14202-03		VALVE GUIDE		-	1	5. 5DX9. 5DX27L		100
26	277-16010-01		STEM SEAL		-	1	5. 5DX9. 5DX15DX7. 8B		100
30	044-03001-60		OIL SEAL		-	1	30DX45DX7B		100
40	060-03003-41		BALL BEARING		-	1	30DX62DX16B		100
50	277-15011-03		PIPE KNOCK		-	2	10. 3DX8. 5DX14L		100
60	010-50802-50		STUD		-	2	M8X1. 25X25L		100
70	010-50604-10		STUD		-	2	M6X1. 0X107L		100
75	044-00600-20		OIL SEAL		-	1	6DX10DX2. 5B		100
80	040-11400-30		PLUG		-	2	M14X1. 5X20DX12L		100
90	021-11400-20		GASKET		-	2	14. 1DX19DX2. 3T		100
210	279-11101-21		MAIN BEARING COVER C		-	1	FLANGE 4-M8X1. 25		100
220	044-03001-60		OIL SEAL		-	1	30DX45DX7B		100
230	060-03003-70		BALL BEARING		-	1	30DX62DX16B		100
250	277-45004-H1		GOVERNOR GEAR CP		-	1	53DX29. 1T N=33		100
260	277-41901-03		GOVERNOR SLEEVE		-	1	6DX7. 6DX16DX26L		100
270	279-63601-13		OIL GAUGE		-	2	M22X1. 5 L=67. 5+18		100
280	021-32000-50		GASKET		-	2	20DX27DX1. 5T RUBBER		100
300	001-04083-50		FLANGE BOLT		-	7			100
610	279-13001-21		CYLINDER HEAD CP		6635-	1			100
	279-13001-11		CYLINDER HEAD CP		-6634	1		279-13001-21	100
620	279-15001-33		GASKET (HEAD)		-	1	T=0. 2		100
630	011-00802-40		FLANGE BOLT		-	4	M8X1. 25X16DX68L		100
631	011-00803-10		FLANGE BOLT		-	1	M8X1. 25X16DX33L		100
680	277-15503-01		ROCKER COVER CP		-	1			100
690	277-16001-13		GASKET (ROCKER COVER)		-	1	T=0. 5		100
700	277-15011-03		PIPE KNOCK		-	2	10. 3DX8. 5DX14L		100
710	011-00600-20		FLANGE BOLT		-	4	M6X1. 0X14DX12L		100
960	279-99001-27		GASKET SET		-	1			100

FIG. 200



2 CRANKSHAFT, PISTON

REF. NO.	PART NUMBER		PART NAME		CODE NO. FROM - TO	QTY	REMARKS	INTERCHANGEABLE PART NUMBER	FIG. NO.
				SPEC. NO.					
10	279-20301-41		CRANK SHAFT CP		-	1	L=310 25DX55. 5L+M20		200
50	018-01800-10		FLANGE NUT		-	1	M18X15X31DX14H		200
70	032-30300-10		WOODRUFF KEY		-	1	3BX6HX16D		200
310	279-22501-30		CONNECTING ROD AY		6607-	1	104. 5CDX26B 34. 5D-18		200
	279-22501-20		CONNECTING ROD AY		-6606	1	104. 5CDX26B 34. 5D-18	279-22501-30	200
320	279-23001-03		CONNECTING ROD BOLT		-	2	M7X1. 0X13. 8DX40L		200
350	279-23301-13		PISTON PIN		-	1	18DX13DX53L		200
360	279-23401-H3		PISTON		-	1	STD (75DX43H)		200
361	279-23403-H3		PISTON		-	1	0. 25 O. S. (75DX43H)		200
362	279-23404-H3		PISTON		-	1	0. 50 O. S. (75DX43H)		200
370	279-23511-17		PISTON RING SET		-	1	STD(75D) OIL EXPAND		200
371	279-23512-17		PISTON RING SET		-	1	0. 25 O. S. OIL EXPAND		200
372	279-23513-17		PISTON RING SET		-	1	0. 50 O. S. OIL EXPAND		200
380	056-51800-10		CLIP		-	2	18. 9DX1. 6D		200

FIG. 300

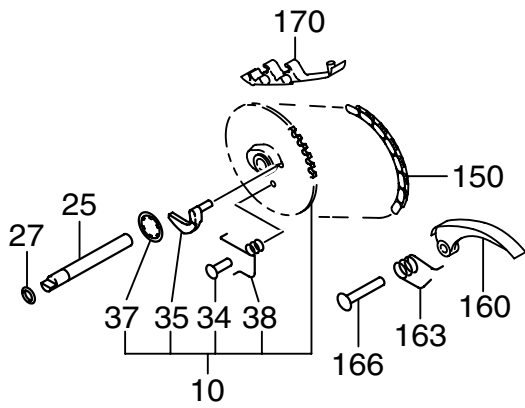
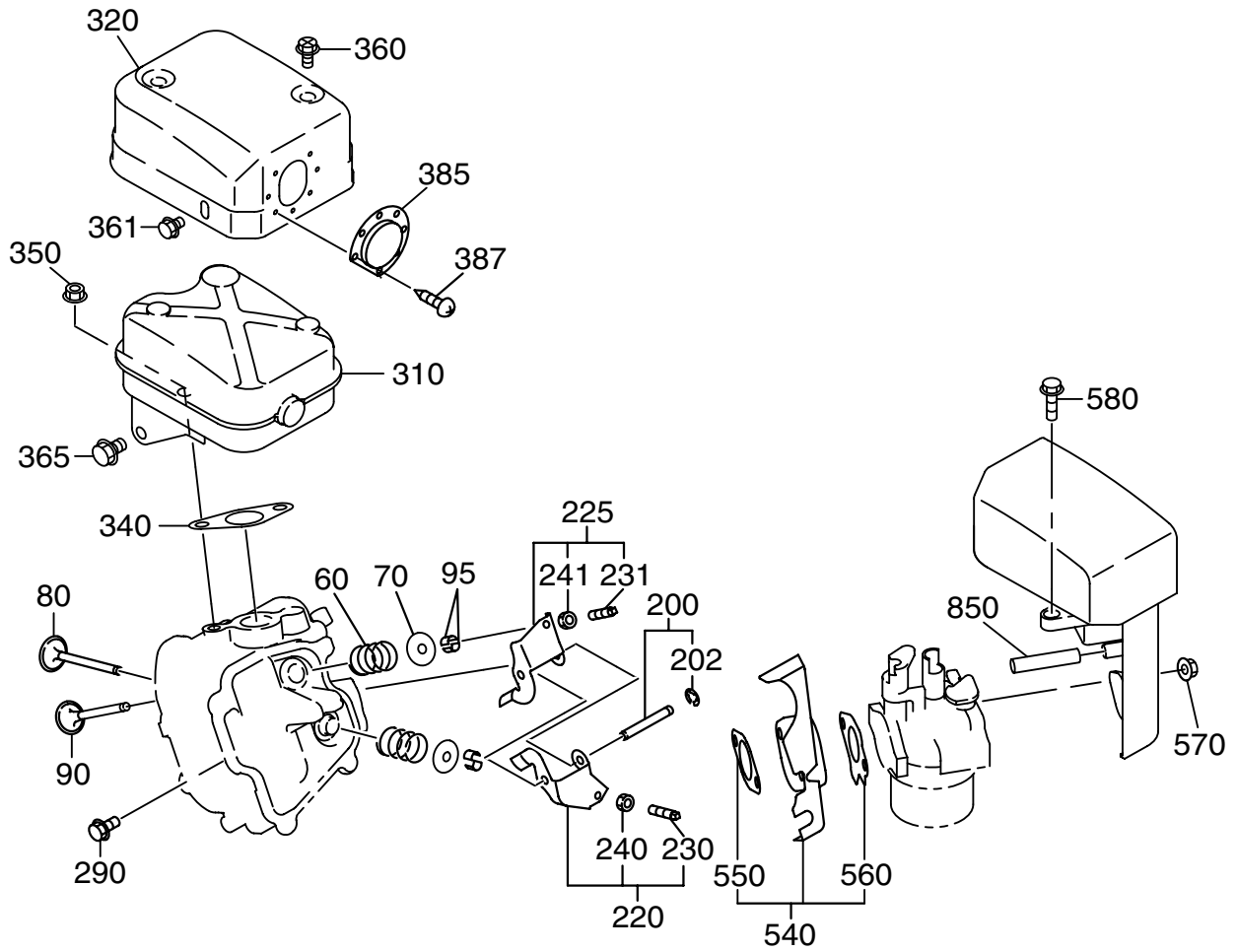
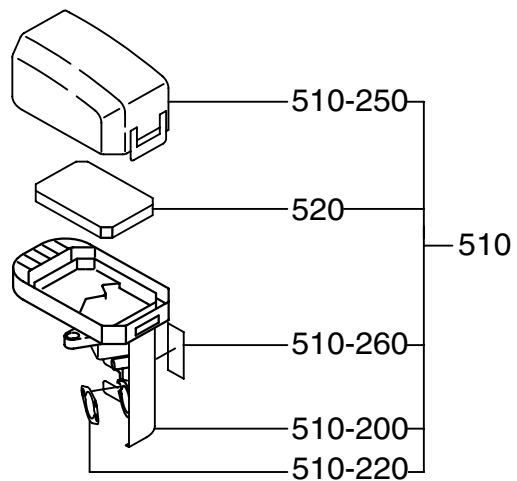


FIG. 315



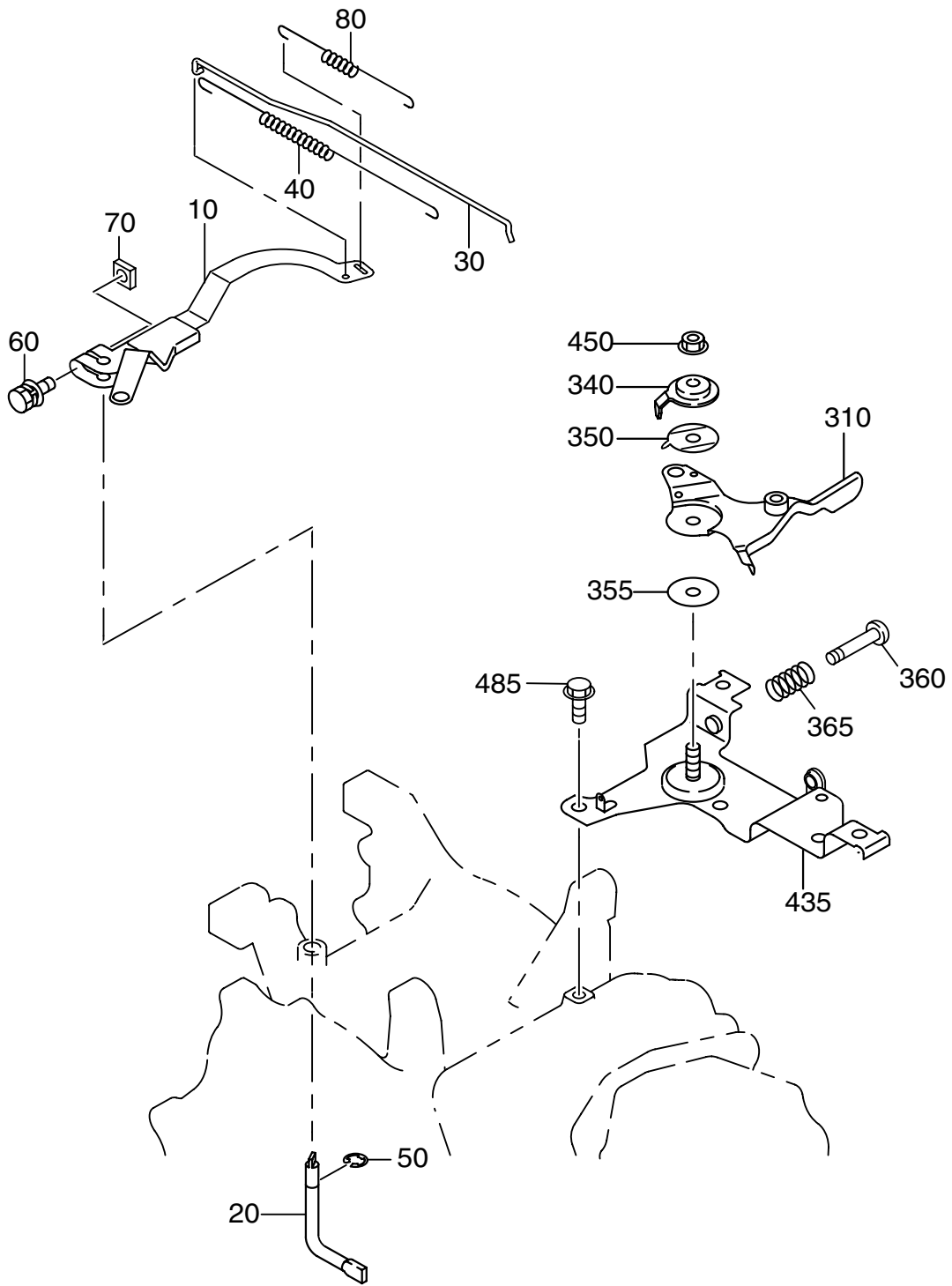
3 INTAKE EXHAUST

REF. NO.	PART NUMBER		PART NAME		CODE NO. FROM - TO	QTY	REMARKS	INTERCHANGEABLE PART NUMBER	FIG. NO.
		PART NUMBER		SPEC. NO.					
10	279-31601-01		CAM SHAFT CP		-	1	93DX2. 9B N=44		300
25	277-35101-03		PIN(CAM SHAFT)		-	1	9DX78. 5L		300
27	024-00600-10		O RING		-	1	5. 8DX9. 6D		300
34	277-38601-03		PIN(SPRING)		-	1	4DX8DX9L		300
35	279-36401-03		RELEASE LEVER		-	1			300
37	277-36501-03		CLIP		-	1	13. 8DX20. 3DX0. 4T		300
38	277-38701-03		RETURN SPRING		-	1	5. 3DX0. 6DX5. 5L N=5. 8		300
60	279-33601-03		VALVE SPRING		-	2	19. 2DX2. 3DX27. 4L		300
70	269-33701-03		SPRING RETAINER		-	2			300
80	279-33401-H3		INTAKE VALVE		-	1	28. 5DX5. 5DX67. 8L		300
90	279-33501-H3		EXHAUST VALVE		-	1	26. 5DX5. 5DX67. 8L		300
95	132-10KA0-31		COLLET-VALVE		-	4			300
150	279-35601-11		TIMING CHAIN CP		-	1	100 LINK		300
160	277-36911-03		TENTIONER		-	1			300
163	277-37101-03		SPRING(TENTIONER)		-	1	10DX1. 8DX14L N=4. 5		300
166	277-36902-03		PIN(TENTIONER)		-	1	6DX13DX34L		300
170	277-36913-13		CHAIN GUIDE		-	1			300
200	277-35002-01		PIN(ROCKER) CP		-	1	6DX46L		300
202	003-13050-00		CLIP		-	1			300
220	277-36201-00		ROCKER ARM(IN) AY		-	1			300
225	277-36202-00		ROCKER ARM(EX) AY		-	1			300
230	014-90500-20		ADJUST SCREW		-	1	M5X0. 5X23L		300
231	014-90500-20		ADJUST SCREW		-	1	M5X0. 5X23L		300
240	017-00500-30		NUT		-	1	M5X0. 5X4. 1H		300
241	017-00500-30		NUT		-	1	M5X0. 5X4. 1H		300
290	011-00600-20		FLANGE BOLT		-	1	M6X1. 0X14DX12L		300
310	279-30101-K1		MUFFLER CP		6635-	1			300
	279-30101-H1		MUFFLER CP		-6634	1			300
320	279-34201-11		MUFFLER COVER CP		-	1			300
340	277-35201-13		GASKET(MUFFLER)		-	1	T=0. 2 26D 9DX58P		300
350	980-20082-80		FLANGE NUT		-	2			300
360	015-20600-90		TAPPING BOLT		-	2	M6X13DX10L		300
361	011-00600-10		FLANGE BOLT		-	1	M6X1. 0X14DX8L		300
365	011-00803-20		FLANGE BOLT		6210-	1	M8X1. 25X16DX12L		300
	011-00801-50		FLANGE BOLT		-6209	1	M8X1. 25X16DX12L		300
385	277-37203-H1		SCREEN CP		-	1			300

3 INTAKE EXHAUST

REF. NO.	PART NUMBER		PART NAME		CODE NO. FROM - TO	QTY	REMARKS	INTERCHANGEABLE PART NUMBER	FIG. NO.
		PART NUMBER		SPEC. NO.					
387		015-00400-60		TAPPING SCREW	-	2	M4X6L		300
510		279-32611-10		AIR CLEANER AY	-	1	URETHANE FOAM		315
-200		279-32630-18		CASE	-	1			315
-220		279-32650-08		GASKET	-	1			315
-250		279-32640-08		COVER	-	1			315
-260		279-32730-08		LABEL	-	1			315
520		279-32603-08		ELEMENT	-	1	URETHANE FOAM		315
540		279-32902-J1		INSULATOR CP	-	1	W/GASKET		300
550		279-35903-J3		GASKET2 (INSULATOR)	-	1	T=0.5		300
560		279-35902-J3		GASKET1 (INSULATOR)	-	1	T=0.5		300
570		002-38060-00		FLANGE NUT	-	2			300
580		001-04062-00		FLANGE BOLT	-	1			300
850		279-32760-08		RUBBER PIPE	-	1	8DX11DX115L	085-10800-00	300

FIG. 400



EX27

2790400111

4 GOVERNOR OPERATION

REF. NO.	PART NUMBER		PART NAME		CODE NO. FROM - TO	QTY	REMARKS	INTERCHANGEABLE PART NUMBER	FIG. NO.
		PART NUMBER		SPEC. NO.					
10	279-42301-33		GOVERNOR LEVER		6666-	1			400
	279-42301-23		GOVERNOR LEVER		6088-6665	1		279-42301-33	400
	279-42301-13		GOVERNOR LEVER		-6087	1		279-42301-23	400
20	277-42201-33		GOVERNOR SHAFT		-	1			400
30	279-42701-11		GOVERNOR ROD CP		-	1			400
40	277-42801-23		ROD SPRING		-	1	7DX0.5DX182L N=16		400
50	003-13050-00		CLIP		-	1			400
60	013-00602-40		BOLT AND WASHER AY		-	1	M6X1.0X25L W/TWO W		400
70	018-60600-20		NUT		-	1	M6X1.0X4.9H SQUARE		400
80	279-42502-23		GOVERNOR SPRING		-	1	7.5DX0.7DX113L N=20	279-42502-43	400
310	277-43303-03		SPEED CONTROL LEVER		5996-	1			400
	279-43301-13		SPEED CONTROL LEVER		-5995	1			400
340	277-43502-03		STOP PLATE		6241-	1			400
	277-43501-03		STOP PLATE		-6240	1		277-43502-03	400
350	277-44501-03		WASHER		6392-	1			400
	020-00601-70		WASHER		-6391	1	6DX24DX0.4T		400
355	021-70600-70		FRICITION WASHER		-	1	6.5DX24DX0.8T NYLON		400
360	004-31062-50		SCREW		-	1			400
365	237-45004-23		SPRING (ADJUST)		-	1	6.9DX0.9DX20L N=7		400
435	277-46002-02		SPEED CONT. BRKT UN		-	1			400
450	002-35060-00		SELF LOCK NUT		-	1			400
485	011-00600-20		FLANGE BOLT		-	2	M6X1.0X14DX12L		400

FIG. 500

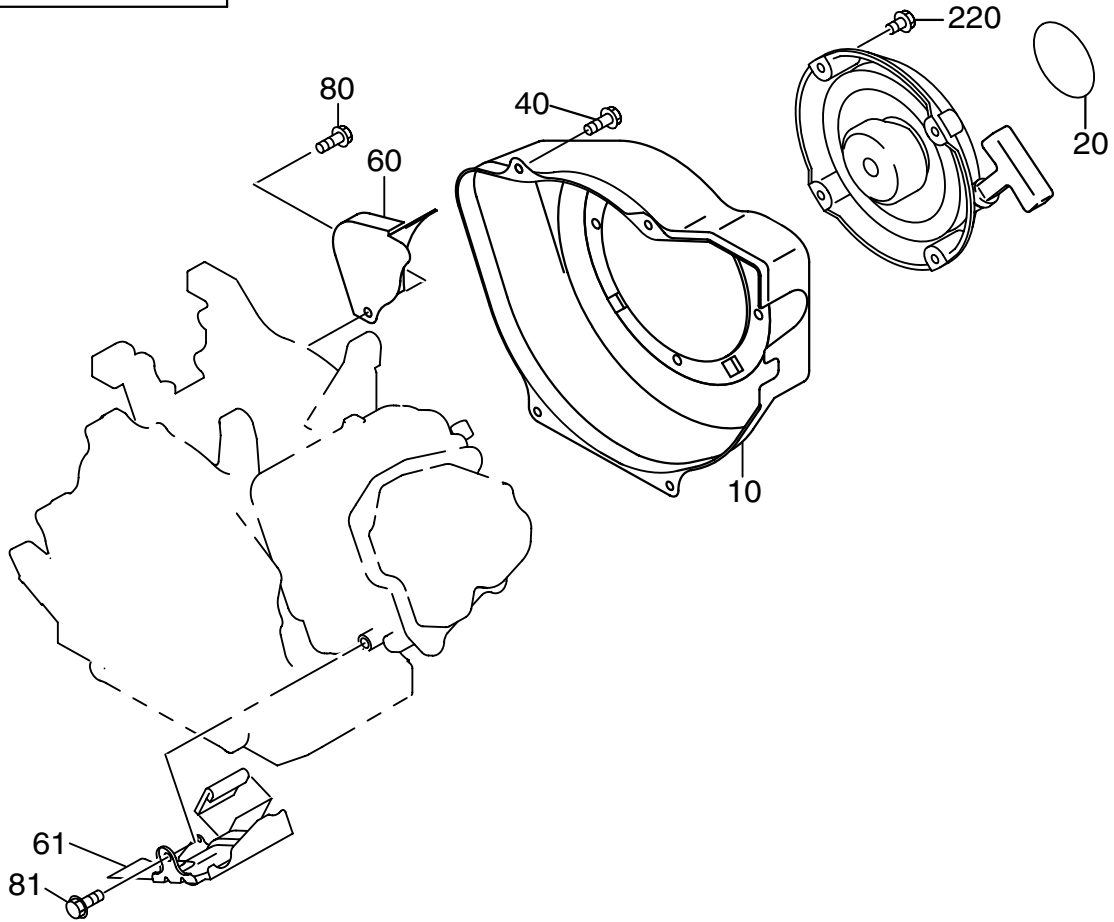
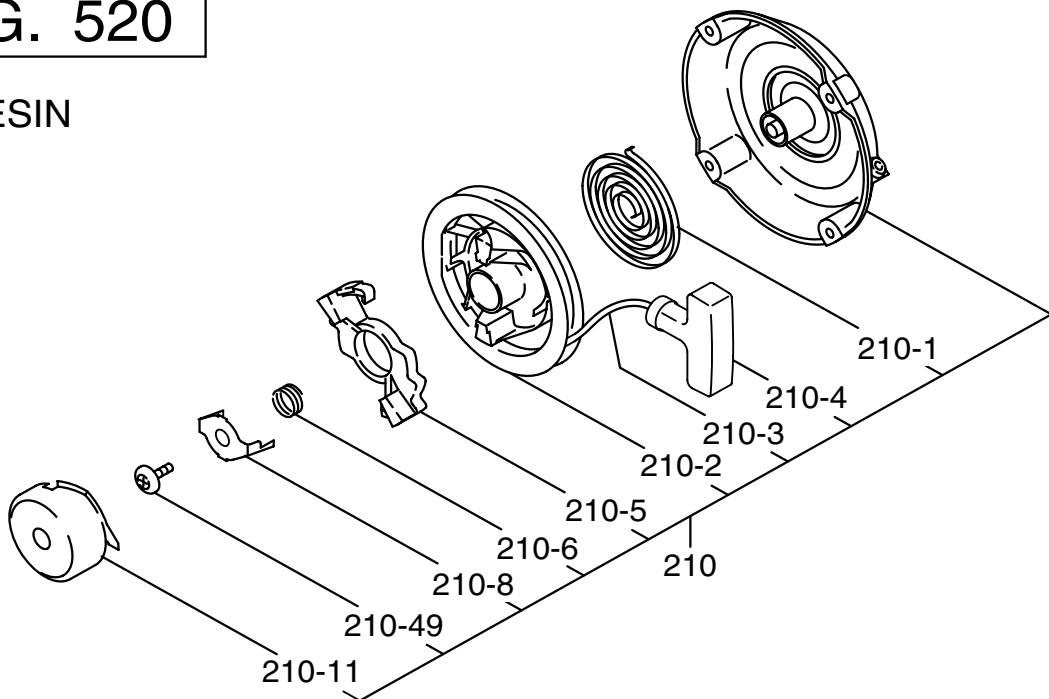


FIG. 520

RESIN



5 COOLING STARTING

REF. NO.	PART NUMBER		PART NAME		CODE NO. FROM - TO	QTY	REMARKS	INTERCHANGEABLE PART NUMBER	FIG. NO.
		PART NUMBER		SPEC. NO.					
10	279-51201-11		BLOWER HOUSING CP		-	1	ROBIN YELLOW		500
20	073-20054-70		LABEL (TRADE MARK)		-	1	60D		500
40	011-00600-30		FLANGE BOLT		-	4	M6X1.0X14DX14L		500
60	279-52711-11		BAFFLE 1 (CASE) CP		-	1			500
61	279-52702-13		BAFFLE 2 (HEAD)		-	1			500
80	001-65081-20		BOLT		-	1			500
81	011-00600-20		FLANGE BOLT		-	1	M6X1.0X14DX12L		500
210	279-50301-00		RECOIL STARTER AY		-	1	170PD RESIN		520
- 1	226-50716-08		SPIRAL SPRING		-	1			520
- 2	277-50121-08		REEL		-	1			520
- 3	279-50110-08		STARTER ROPE		-	1			520
- 4	226-50701-08		STARTER KNOB		-	1			520
- 5	281-50325-08		RATCHET		-	1			520
- 6	281-50330-08		FRICTION SPRING		-	1			520
- 8	281-50340-08		FRICTION PLATE		-	1			520
- 11	279-50148-08		STARTER PULLEY		-	1			520
- 49	281-50351-08		CENTER SCREW		-	1			520
220	013-00602-80		BOLT AND WASHER AY		-	4	M6X1.0X14L W/SW		500

FIG. 600

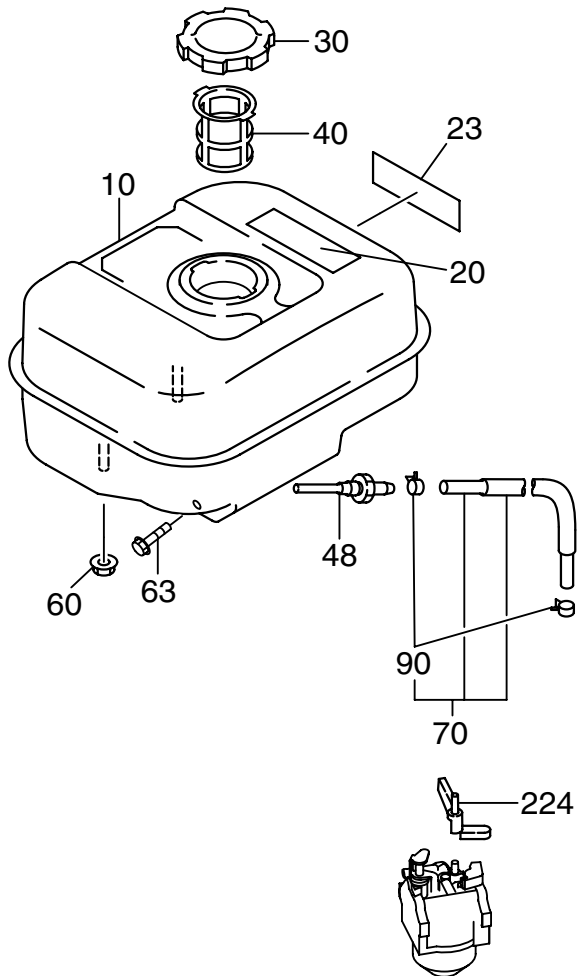
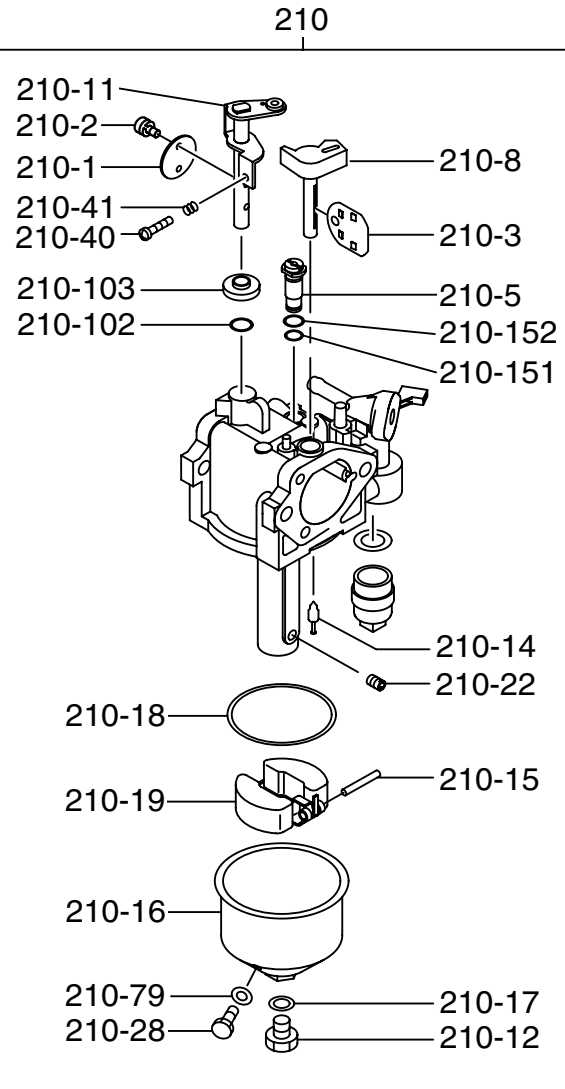


FIG. 640



6 FUEL LUBRICANT

REF. NO.	PART NUMBER		PART NAME		CODE NO. FROM - TO	QTY	REMARKS	INTERCHANGEABLE PART NUMBER	FIG. NO.
		PART NUMBER		SPEC. NO.					
10		279-60101-21		FUEL TANK CP	-	1	6. 1L ROBIN YELLOW		600
20		073-20051-81		LABEL (WARNING)	-	1	42X104 ENGLISH		600
23		279-95111-03		LABEL (MODEL)	6599-	1			600
		279-95101-03		LABEL (MODEL)	-6598	1	32X125		600
30		043-04400-50		FUEL TANK CAP CP	-	1	43DX68DX14H BLACK		600
40		X64-13600-10		FUEL FILTER	6331-	1			600
		064-13600-10		FUEL FILTER	-6330	1	36DX46DX43H		600
48		050-51200-20		UNION	-	1	M12X4DX78L W/FILTER		600
60		002-38080-00		FLANGE NUT	-	2			600
63		011-00802-50		FLANGE BOLT	-	2	M8X1. 25X16DX25L		600
70		279-62605-J1		FUEL PIPE CP	-	1	6DX11DX195L		600
90		X56-11100-20		HOSE CLAMP	-	2	10. 5DX8BX0. 7T		600
210		279-62301-30		CARBURETOR AY	-	1			640
- 1		279-62535-08		VALVE THROTTLE	-	1			640
- 2		251-62450-08		SCREW	-	2			640
- 3		279-62525-08		VALVE CHOKE	-	1			640
- 5		279-62420-08		JET SLOW	-	1			640
- 8		279-62520-08		SHAFT CHOKE	-	1			640
- 11		279-62530-08		SHAFT SUB ASSY (TH)	-	1			640
- 12		251-62453-08		SCREW	-	1			640
- 14		279-62500-08		VALVE ASSY NEEDLE	-	1			640
- 15		279-62515-08		PIN FLOAT LEVER	-	1			640
- 16		285-62550-08		FLOAT CHAMBER SUB AY	-	1			640
- 17		251-62350-08		GASKET	-	1			640
- 18		279-62540-08		GASKET CHAMBER	-	1			640
- 19		279-62505-08		FLOAT SUB ASSY	-	1			640
- 22		279-62400-08		JET MAIN	-	1			640
- 28		285-62551-08		DRAIN SCREW	-	1			640
- 40		279-62353-18		SCREW ADJUSTING	-	1			640
- 41		279-62445-08		SPRING	-	1			640
- 79		285-62552-08		PACKING	-	1			640
-102		279-62561-08		BUSH	-	1			640
-103		279-62562-08		COLLAR	-	1			640
-151		279-62451-08		O-RING	-	1			640
-152		279-62452-08		O-RING	-	1			640
224		277-43801-01		CHOKE LEVER CP	-	1			600

FIG. 700

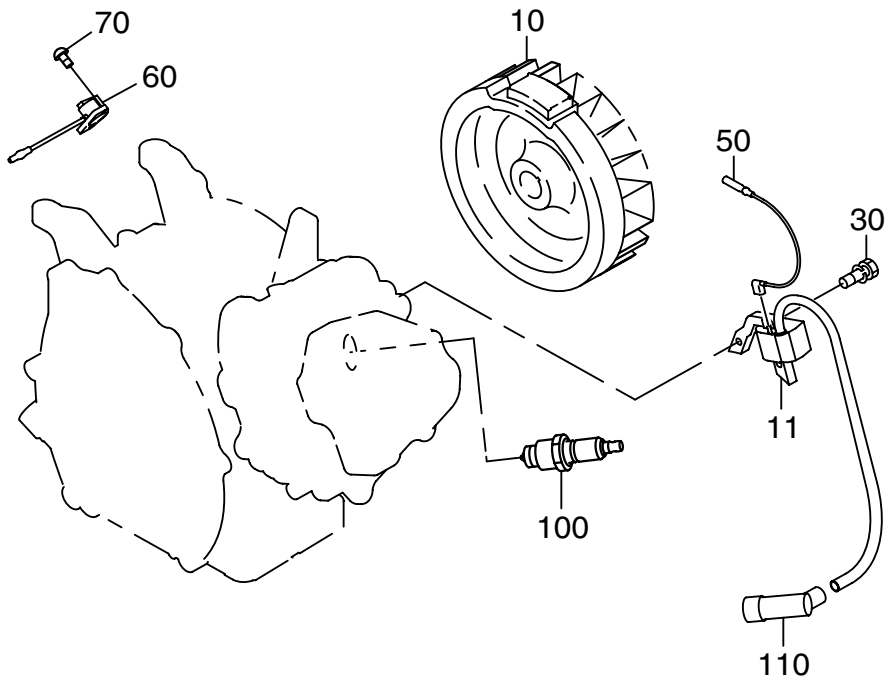
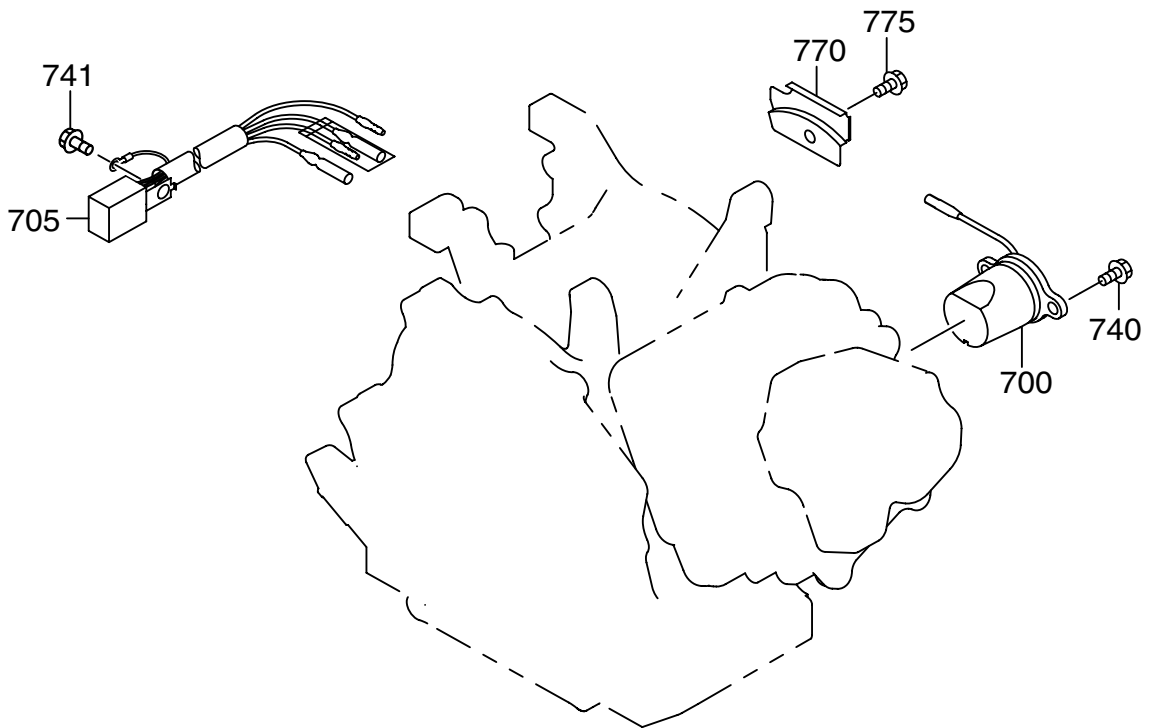


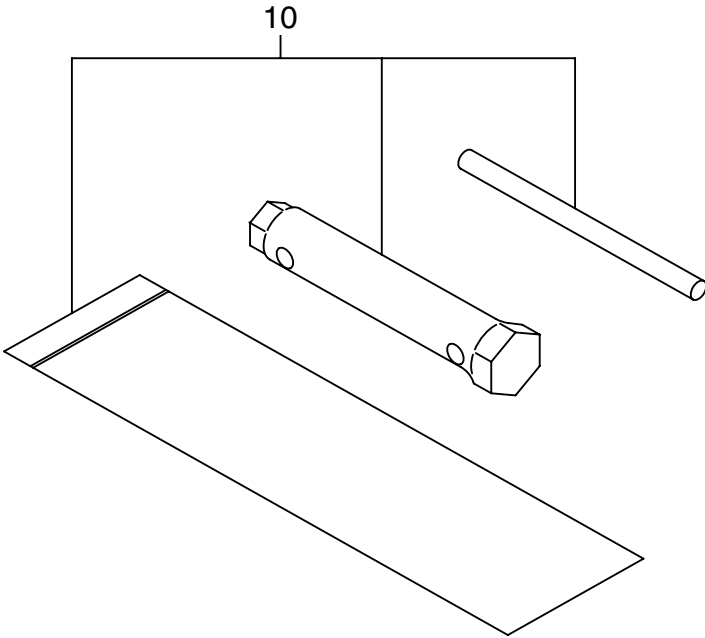
FIG. 770



7 ELECTRIC DEVICE

REF. NO.	PART NUMBER		PART NAME		CODE NO. FROM - TO	QTY	REMARKS	INTERCHANGEABLE PART NUMBER	FIG. NO.
				SPEC. NO.					
10	279-79230-01		FLYWHEEL CP		-	1	MARK FA AP02		700
11	279-79430-01		IGNITION COIL CP		-	1	MARK AB		700
30	001-14062-50		BOLT AND WASHER AY		-	2			700
50	277-73101-H1		WIRE 1 CP		-	1	L=360 BLACK		700
	277-73102-H1		EX270D10120		-	1	L=360 BLACK		700
60	X66-00004-20		SWITCH AY		-	1			700
70	015-00400-90		TAPPING SCREW		-	2	M4X12L		700
100	065-01401-50		SPARK PLUG		-	1	NGK BR6HS		700
110	065-50002-70		SPARK PLUG CAP		-	1			700
700	* * * * *		OIL SENSOR CP						
	279-76301-31		EX270D10120		-	1			770
705	* * * * *		FLOAT C/U CP3						
	KU3-11043-11		EX270D10120		-	1			770
740	* * * * *		BOLT AND WASHER AY						
	001-14061-60		EX270D10120		-	2			770
741	* * * * *		FLANGE BOLT						
	011-00600-10		EX270D10120		-	1	M6X1.0X14DX8L		770
770	* * * * *		WIRE CLAMP						
	279-75501-03		EX270D10120		-6634	1			770
	279-75501-13		EX270D10120		6635-	1			770
775	* * * * *		TAPPING BOLT						
	015-20600-50		EX270D10120		-	1	M6X13DX10L		770

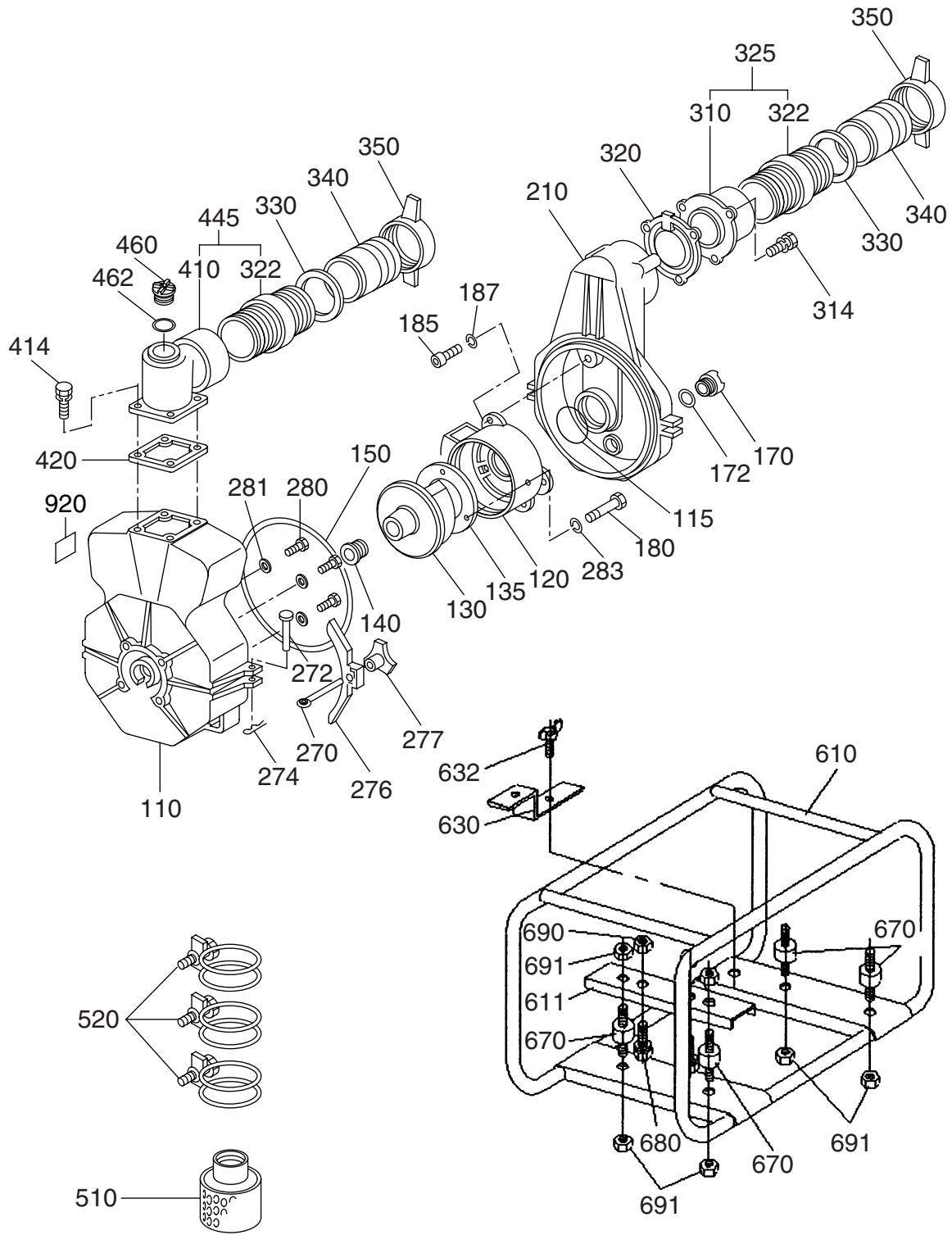
FIG. 900



9 ACCESSORIES LABEL

REF. NO.	PART NUMBER		PART NAME		CODE NO. FROM - TO	QTY	REMARKS	INTERCHANGEABLE PART NUMBER	FIG. NO.
		PART NUMBER		SPEC. NO.					
10	277-90301-H0		ACCESSORY TOOL KIT		-	1			900

FIG. 4200



EX27

484420202

4 2 PUMP

REF. NO.	PART NUMBER		PART NAME		CODE NO. FROM - TO	QTY	REMARKS	INTERCHANGEABLE PART NUMBER	FIG. NO.
		PART NUMBER		SPEC. NO.					
110	481-00001-55		CASING		-	1			4200
115	480-08210-20		PACKING, INNER CASING		-	1			4200
120	481-00000-69		INNER CASING		-	1			4200
130	480-08210-04		IMPELLER		-	1			4200
135	481-00000-70		LINER		-	1			4200
140	480-08210-08		MECHANICAL SEAL		-	1			4200
150	480-08210-17		PACKING		-	1			4200
170	480-08210-12		PLUG		-	1			4200
172	480-08210-18		O RING		-	1			4200
180	481-00001-61		SOCKET HEAD BOLT		-	3			4200
185	481-00001-63		SOCKET HEAD BOLT		-	3			4200
187	481-00001-64		SPRING WASHER		-	3			4200
210	481-00000-68		CASING		-	1			4200
270	480-08210-13		COVER BOLT		-	2			4200
272	480-08210-14		RIVET		-	2			4200
274	480-08210-34		SPRING PIN		-	2			4200
276	480-08210-16		CASING COVER HOLDER		-	2			4200
277	480-08210-15		KNOB		-	2			4200
280	481-00001-44		FLANGE BOLT		-	4			4200
281	481-00001-43		WASHER		-	4			4200
283	481-00001-62		SPRING WASHER		-	3			4200
310	481-00000-71		SUCTION FLANGE		-	1			4200
314	480-05010-03		BOLT & WASHER AY		-	3			4200
320	481-00000-73		CHECK VALVE		-	1			4200
322	480-08310-30		NIPPLE		-	2			4200
325	481-00000-71		SUCTION FLANGE		-	1			4200
330	480-08010-17		PACKING, COUPLING		-	2			4200
340	480-08010-18		HOSE COUPLING(AL)		-	2			4200
350	480-08010-16		COUPLING, HANDLE		-	2			4200
410	481-00000-72		DELIVERY FLANGE		-	1			4200
414	480-05010-03		BOLT & WASHER AY		-	4			4200
420	480-08010-20		PACKING BEND		-	1			4200
445	481-00000-72		DELIVERY FLANGE		-	1			4200
460	480-08210-12		PLUG		-	1			4200
462	480-08210-18		O RING		-	1			4200
510	480-08310-33		STRAINER		-	1			4200

4 2 PUMP

REF. NO.	PART NUMBER		PART NAME		CODE NO. FROM - TO	QTY	REMARKS	INTERCHANGEABLE PART NUMBER	FIG. NO.
		PART NUMBER		SPEC. NO.					
520	480-08010-28		HOSE BAND		-	3			4200
	481-08010-28		PTX301T0010		-	3			4200
610	481-00001-65		FRAME		-	1			4200
611	481-00001-66		BASE, ENGINE		-	1			4200
630	480-05210-35		TOOL		-	1			4200
632	480-05210-36		WING BOLT		-	1			4200
670	480-08210-19		CUSHION RUBBER		-	4			4200
680	480-10010-30		BOLT		-	2			4200
690	480-10010-25		FLANGE NUT		-	2			4200
691	480-10010-24		NUT & WASHER AY		-	6			4200
920	484-00012-03		LABEL (PUMP NAME)		-	1			4200
	484-00013-03		PTX301T0010		-	1			4200

PART NUMBER INDEX LIST

PART NUMBER	PART NAME	FIG. REF.	PART NUMBER	PART NAME	FIG. REF.
KU3-11043-11	FLOAT C/U CP3	770 705	064-13600-10	FUEL FILTER	600 40
X56-11100-20	HOSE CLAMP	600 90	065-01401-50	SPARK PLUG	700 100
X64-13600-10	FUEL FILTER	600 40	065-50002-70	SPARK PLUG CAP	700 110
X66-00004-20	SWITCH AY	700 60	073-20051-81	LABEL(WARNING)	600 20
001-04062-00	FLANGE BOLT	300 580	073-20054-70	LABEL(TRADE MARK)	500 20
001-04083-50	FLANGE BOLT	100 300	132-10KA0-31	COLLET-VALVE	300 95
001-14061-60	BOLT AND WASHER AY	770 740	226-50701-08	STARTER KNOB	520 210 - 4
001-14062-50	BOLT AND WASHER AY	700 30	226-50716-08	SPIRAL SPRING	520 210 - 1
001-65081-20	BOLT	500 80	237-14202-03	VALVE GUIDE	100 20
002-35060-00	SELF LOCK NUT	400 450	237-45004-23	SPRING (ADJUST)	400 365
002-38060-00	FLANGE NUT	300 570	251-62350-08	GASKET	640 210 - 17
002-38080-00	FLANGE NUT	600 60	251-62450-08	SCREW	640 210 - 2
003-13050-00	CLIP	300 202	251-62453-08	SCREW	640 210 - 12
003-13050-00	CLIP	400 50	269-33701-03	SPRING RETAINER	300 70
004-31062-50	SCREW	400 360	277-15011-03	PIPE KNOCK	100 50
010-50604-10	STUD	100 70	277-15011-03	PIPE KNOCK	100 700
010-50802-50	STUD	100 60	277-15503-01	ROCKER COVER CP	100 680
011-00600-10	FLANGE BOLT	300 361	277-16001-13	GASKET(ROCKER COVER)	100 690
011-00600-10	FLANGE BOLT	770 741	277-16010-01	STEM SEAL	100 26
011-00600-20	FLANGE BOLT	100 710	277-35002-01	PIN(ROCKER) CP	300 200
011-00600-20	FLANGE BOLT	300 290	277-35101-03	PIN(CAM SHAFT)	300 25
011-00600-20	FLANGE BOLT	400 485	277-35201-13	GASKET(MUFFLER)	300 340
011-00600-20	FLANGE BOLT	500 81	277-36201-00	ROCKER ARM(IN) AY	300 220
011-00600-30	FLANGE BOLT	500 40	277-36202-00	ROCKER ARM(EX) AY	300 225
011-00801-50	FLANGE BOLT	300 365	277-36501-03	CLIP	300 37
011-00802-40	FLANGE BOLT	100 630	277-36902-03	PIN(TENTIONER)	300 166
011-00802-50	FLANGE BOLT	600 63	277-36911-03	TENTIONER	300 160
011-00803-10	FLANGE BOLT	100 631	277-36913-13	CHAIN GUIDE	300 170
011-00803-20	FLANGE BOLT	300 365	277-37101-03	SPRING(TENTIONER)	300 163
013-00602-40	BOLT AND WASHER AY	400 60	277-37203-H1	SCREEN CP	300 385
013-00602-80	BOLT AND WASHER AY	500 220	277-38601-03	PIN(SPRING)	300 34
014-90500-20	ADJUST SCREW	300 230	277-38701-03	RETURN SPRING	300 38
014-90500-20	ADJUST SCREW	300 231	277-41901-03	GOVERNOR SLEEVE	100 260
015-00400-60	TAPPING SCREW	300 387	277-42201-33	GOVERNOR SHAFT	400 20
015-00400-90	TAPPING SCREW	700 70	277-42801-23	ROD SPRING	400 40
015-20600-50	TAPPING BOLT	770 775	277-43303-03	SPEED CONTROL LEVER	400 310
015-20600-90	TAPPING BOLT	300 360	277-43501-03	STOP PLATE	400 340
017-00500-30	NUT	300 240	277-43502-03	STOP PLATE	400 340
017-00500-30	NUT	300 241	277-43801-01	CHOKE LEVER CP	600 224
018-01800-10	FLANGE NUT	200 50	277-44501-03	WASHER	400 350
018-60600-20	NUT	400 70	277-45004-H1	GOVERNOR GEAR CP	100 250
020-00601-70	WASHER	400 350	277-46002-02	SPEED CONT. BRKT UN	400 435
021-11400-20	GASKET	100 90	277-50121-08	REEL	520 210 - 2
021-32000-50	GASKET	100 280	277-73101-H1	WIRE 1 CP	700 50
021-70600-70	FRICITION WASHER	400 355	277-73102-H1	WIRE 2 CP	700 50
024-00600-10	O RING	300 27	277-90301-H0	ACCESSORY TOOL KIT	900 10
032-30300-10	WOODRUFF KEY	200 70	279-10101-51	CRANK CASE CP	100 10
040-11400-30	PLUG	100 80	279-10102-51	CRANK CASE CP	100 10
043-04400-50	FUEL TANK CAP CP	600 30	279-11101-21	MAIN BEARING COVER C	100 210
044-00600-20	OIL SEAL	100 75	279-13001-11	CYLINDER HEAD CP	100 610
044-03001-60	OIL SEAL	100 30	279-13001-21	CYLINDER HEAD CP	100 610
044-03001-60	OIL SEAL	100 220	279-15001-33	GASKET (HEAD)	100 620
050-51200-20	UNION	600 48	279-20301-41	CRANK SHAFT CP	200 10
056-51800-10	CLIP	200 380	279-22501-20	CONNECTING ROD AY	200 310
060-03003-41	BALL BEARING	100 40	279-22501-30	CONNECTING ROD AY	200 310
060-03003-70	BALL BEARING	100 230	279-23001-03	CONNECTING ROD BOLT	200 320

PART NUMBER INDEX LIST

PART NUMBER	PART NAME	FIG. REF.	PART NUMBER	PART NAME	FIG. REF.
279-23301-13	PISTON PIN	200 350	279-62605-J1	FUEL PIPE CP	600 70
279-23401-H3	PISTON	200 360	279-63601-13	OIL GAUGE	100 270
279-23403-H3	PISTON	200 361	279-75501-03	WIRE CLAMP	770 770
279-23404-H3	PISTON	200 362	279-75501-13	WIRE CLAMP	770 770
279-23511-17	PISTON RING SET	200 370	279-76301-31	OIL SENSOR CP	770 700
279-23512-17	PISTON RING SET	200 371	279-79230-01	FLYWHEEL CP	700 10
279-23513-17	PISTON RING SET	200 372	279-79430-01	IGNITION COIL CP	700 11
279-30101-H1	MUFFLER CP	300 310	279-95101-03	LABEL(MODEL)	600 23
279-30101-K1	MUFFLER CP	300 310	279-95111-03	LABEL(MODEL)	600 23
279-31601-01	CAM SHAFT CP	300 10	279-99001-27	GASKET SET	100 960
279-32603-08	ELEMENT	315 520	281-50325-08	RATCHET	520 210 - 5
279-32611-10	AIR CLEANER AY	315 510	281-50330-08	FRICTION SPRING	520 210 - 6
279-32630-18	CASE	315 510 -200	281-50340-08	FRICTION PLATE	520 210 - 8
279-32640-08	COVER	315 510 -250	281-50351-08	CENTER SCREW	520 210 - 49
279-32650-08	GASKET	315 510 -220	285-62550-08	FLOAT CHAMBER SUB AY	640 210 - 16
279-32730-08	LABEL	315 510 -260	285-62551-08	DRAIN SCREW	640 210 - 28
279-32760-08	RUBBER PIPE	300 850	285-62552-08	PACKING	640 210 - 79
279-32902-J1	INSULATOR CP	300 540	980-20082-80	FLANGE NUT	300 350
279-33401-H3	INTAKE VALVE	300 80			
279-33501-H3	EXHAUST VALVE	300 90			
279-33601-03	VALVE SPRING	300 60			
279-34201-11	MUFFLER COVER CP	300 320			
279-35601-11	TIMING CHAIN CP	300 150			
279-35902-J3	GASKET1(INSULATOR)	300 560			
279-35903-J3	GASKET2(INSULATOR)	300 550			
279-36401-03	RELEASE LEVER	300 35			
279-42301-13	GOVERNOR LEVER	400 10			
279-42301-23	GOVERNOR LEVER	400 10			
279-42301-33	GOVERNOR LEVER	400 10			
279-42502-23	GOVERNOR SPRING	400 80			
279-42701-11	GOVERNOR ROD CP	400 30			
279-43301-13	SPEED CONTROL LEVER	400 310			
279-50110-08	STARTER ROPE	520 210 - 3			
279-50148-08	STARTER PULLEY	520 210 - 11			
279-50301-00	RECOIL STARTER AY	520 210			
279-51201-11	BLOWER HOUSING CP	500 10			
279-52702-13	BAFFLE 2(HEAD)	500 61			
279-52711-11	BAFFLE 1(CASE) CP	500 60			
279-60101-21	FUEL TANK CP	600 10			
279-62301-30	CARBURETOR AY	640 210			
279-62353-18	SCREW ADJUSTING	640 210 - 40			
279-62400-08	JET MAIN	640 210 - 22			
279-62420-08	JET SLOW	640 210 - 5			
279-62445-08	SPRING	640 210 - 41			
279-62451-08	O-RING	640 210 -151			
279-62452-08	O-RING	640 210 -152			
279-62500-08	VALVE ASSY NEEDLE	640 210 - 14			
279-62505-08	FLOAT SUB ASSY	640 210 - 19			
279-62515-08	PIN FLOAT LEVER	640 210 - 15			
279-62520-08	SHAFT CHOKE	640 210 - 8			
279-62525-08	VALVE CHOKE	640 210 - 3			
279-62530-08	SHAFT SUB ASSY(TH)	640 210 - 11			
279-62535-08	VALVE THROTTLE	640 210 - 1			
279-62540-08	GASKET CHAMBER	640 210 - 18			
279-62561-08	BUSH	640 210 -102			
279-62562-08	COLLAR	640 210 -103			

PART NUMBER INDEX LIST

PART NUMBER	PART NAME	FIG. REF.	PART NUMBER	PART NAME	FIG. REF.
480-05010-03	BOLT & WASHER AY	4200 314			
480-05010-03	BOLT & WASHER AY	4200 414			
480-05210-35	TOOL	4200 630			
480-05210-36	WING BOLT	4200 632			
480-08010-16	COUPLING, HANDLE	4200 350			
480-08010-17	PACKING, COUPLING	4200 330			
480-08010-18	HOSE COUPRING(AL)	4200 340			
480-08010-20	PACKING BEND	4200 420			
480-08010-28	HOSE BAND	4200 520			
480-08210-04	IMPELLER	4200 130			
480-08210-08	MECHANICAL SEAL	4200 140			
480-08210-12	PLUG	4200 170			
480-08210-12	PLUG	4200 460			
480-08210-13	COVER BOLT	4200 270			
480-08210-14	RIVET	4200 272			
480-08210-15	KNOB	4200 277			
480-08210-16	CASING COVER HOLDER	4200 276			
480-08210-17	PACKING	4200 150			
480-08210-18	O RING	4200 172			
480-08210-18	O RING	4200 462			
480-08210-19	CUSHION RUBBER	4200 670			
480-08210-20	PACKING, INNER CASING	4200 115			
480-08210-34	SPRING PIN	4200 274			
480-08310-30	NIPPLE	4200 322			
480-08310-33	STRAINER	4200 510			
480-10010-24	NUT & WASHER AY	4200 691			
480-10010-25	FLANGE NUT	4200 690			
480-10010-30	BOLT	4200 680			
481-00000-68	CASING	4200 210			
481-00000-69	INNER CASING	4200 120			
481-00000-70	LINER	4200 135			
481-00000-71	SUCTION FLANGE	4200 310			
481-00000-71	SUCTION FLANGE	4200 325			
481-00000-72	DELIVERY FLANGE	4200 410			
481-00000-72	DELIVERY FLANGE	4200 445			
481-00000-73	CHECK VALVE	4200 320			
481-00001-43	WASHER	4200 281			
481-00001-44	FLANGE BOLT	4200 280			
481-00001-55	CASING	4200 110			
481-00001-61	SOCKET HEAD BOLT	4200 180			
481-00001-62	SPRING WASHER	4200 283			
481-00001-63	SOCKET HEAD BOLT	4200 185			
481-00001-64	SPRING WASHER	4200 187			
481-00001-65	FRAME	4200 610			
481-00001-66	BASE, ENGINE	4200 611			
481-08010-28	HOSE BAND	4200 520			
484-00012-03	LABEL (PUMP NAME)	4200 920			
484-00013-03	LABEL (PUMP NAME)	4200 920			

FUJI HEAVY INDUSTRIES LTD.

INDUSTRIAL PRODUCTS COMPANY

4-410 Asahi, Kitamoto-shi,
Saitama, 364-8511, Japan

Phone +81(48)593-7896

Fax +81(48)593-7965

Web site <http://www.fhi.co.jp/robin/>