



PARTS CATALOG

Robin

Pump

Model

PTX401

Spec. No. PTX40100000
(EX270D10110)
PTX40100010
(EX270D10120)

FUJI HEAVY INDUSTRIES LTD.
INDUSTRIAL PRODUCTS COMPANY

ISSUE EMD - PP6183
ISSUE DATE 2005.5

HOW TO USE THIS PARTS CATALOG

REF. NO.	PART NUMBER		PART NAME		CODE NO.	QTY	REMARKS	INTERCHANGEABLE	FIG. NO.
				SPEC. NO.	FROM - TO			PART NUMBER	
10	276-60101-01		FUEL TANK CP		-	1	2.7L ROBIN YELLOW	276-60101-11	600
20	073-20044-50		LABEL (CAUTION)		-	1	38X70 ILLUST		600
		073-20051-81		EX130D10120	-	1	42X104 ENGLISH		600
30	043-04300-15		FUEL TANK CAP		-	1			600
40	X64-13600-10		FUEL FILTER		4415 -	1	36DX46DX43H		600
		064-13600-10		FUEL FILTER	- 4414	1	36DX46DX43H		600
50	064-20064-00		FUEL STRAINER		-	1			630
- 1	064-20064-20		FILTER		-	1			630
- 2	064-20064-10		PACKING		-	1			630
- 3	064-20042-10		CUP		-	1			630

- ① **SECTION NAME**..... Parts are broadly classified according to their functions. Refer to section indexes(contents)for respective section name.
- ② **FIG.No.**..... It indicates illustration number. FIG.No. with the same figure in the third of hundreds shows that it is in a group of the same section. FIG.No. illustrating the target part can be read in the right-end section of the list.
- ③④ **REF.No.**..... It is a number to compare the part illustrated with the part number in the list. Serch for REF.No. in the list in the corresponding REF.No. in the illustration to determine the part number.
Section ④ shows a 'SUB-ASSEMBLY PART' of section ③ which is indicated by the number led by '-' such as '-1', '-2'.
- ⑤ **PART NUMBER**..... It is the number assigned for sales unit.
Use the PART No. when marking an order.
PART No. employed in the representative SPEC. No. has been entered at the head of each REF. No. being shifted to the left.
However, the parts with marking of "*****" show that they are not used in the representative SPEC. No..
PART No. entered to the right side as in(5A)are the parts employed in a SPEC. No. other than the representative SPEC. No., and each SPEC. No. using these parts are listed in the section on the right as in ⑦ in ascending order. If no entry of SPEC. No. contains, it is the same PART No. as the representative SPEC. No. (STD) or the part which has not been employed in the SPEC. No. concerned.

⑥ **PART NAME** It is designation of the part. The SPEC. No. corresponding to the PART No. are listed below the part name. PART NAME of PART No. is indicated on the same line as each REF. No..

⑦ **SPEC.No.**..... This helps identify specifications of the product. This manual has been edited based on RAS17031000 · E-H092DN8510 as representative SPEC. No.. For the SPEC. No other than the representative SPEC. No., it has been edited so that parts different from the representative SPEC. No. are to be listed.

⑧ **CODE No.**..... It indicates history of progress in which improved parts have been introduced into the product concerned. The CODE No. helps identify PART No. being employed in the product concerned.

—
4415—
—4414

The part has been employed in the product irrespective of CODE No.

The part is employed in the products with CODE No. of 4415 and after this number.

The part is employed in the products with CODE No. of 4414 and before this number.

⑨ **Q'ty** Quantity of part being employed for each product. (If quantity of the same PART No. employed varies according to SPEC. No., the maximum quantity is indicated.)

⑩ **REMARKS** This gives a distinctive feature and/or a supplementary comment for the type, the specification, and the part concerned.

⑪ **INTERCHANGEABLE** .. It shows part number(s) interchangeable for the part given in the section **PART NUMBER** ⑤ ⑤A . Please note that parts with interchangeable PART No. may be delivered for your order.

Table of abbreviations/略語一覧

ABBREVIATIONS/略語	DESCRIPTION	説明
A	AMPERE	アンペア
AC	AIR CLEANER	エアクリーナ
AY	ASSEMBLY	アッセンブリ
B	BREADTH	幅
BB	BALL BEARING	ボールベアリング
CD	CENTER DISTANCE	中心間距離
CP	COMPLETE	コンプリート
D	DIAMETER	内径、外径、中心径
EX	EXPORT	輸出
EX	EXHAUST	排気
FIG	FIGURE	フィギュア(図解)
FR	FRONT	前側
H	HEIGHT	高さ
HZ	HERTZ	ヘルツ
IN	INCH	インチ
IN	INTAKE	吸入
L	LITER	リットル
L	LENGTH	長さ
LH	LEFT HAND	左側
MG	MAGNETIC	マグネチック
N	NUMBER	数、巻数
N R Y	NEW ROBIN YELLOW	新ロビン色
OS	OIL SENSOR	オイルセンサ
O.S.	OVER SIZE	オーバーサイズ
P	PITCH	ピッチ
PD	PITCH DIAMETER	中心径
PTO	POWER TAKE OFF	動力取出し
REF	REFERENCE	レファレンス(照合)
RH	RIGHT HAND	右側
RR	REAR	後側
ST	STARTER	スタータ
STD	STANDARD	標準
SW	SPRING WASHER	スプリングワッシャ
SW	SWITCH	スイッチ
T	THICKNESS	厚さ
TH	THROTTLE	スロットル
UN	UNIT	ユニット
U.S.	UNDER SIZE	アンダーサイズ
V	VOLTAGE	ボルト
W	WASHER	ワッシャ
W	WATT	ワット
W	WIDTH	幅
W/	WITH	付き
W/O	WITHOUT	無し

CONTENTS

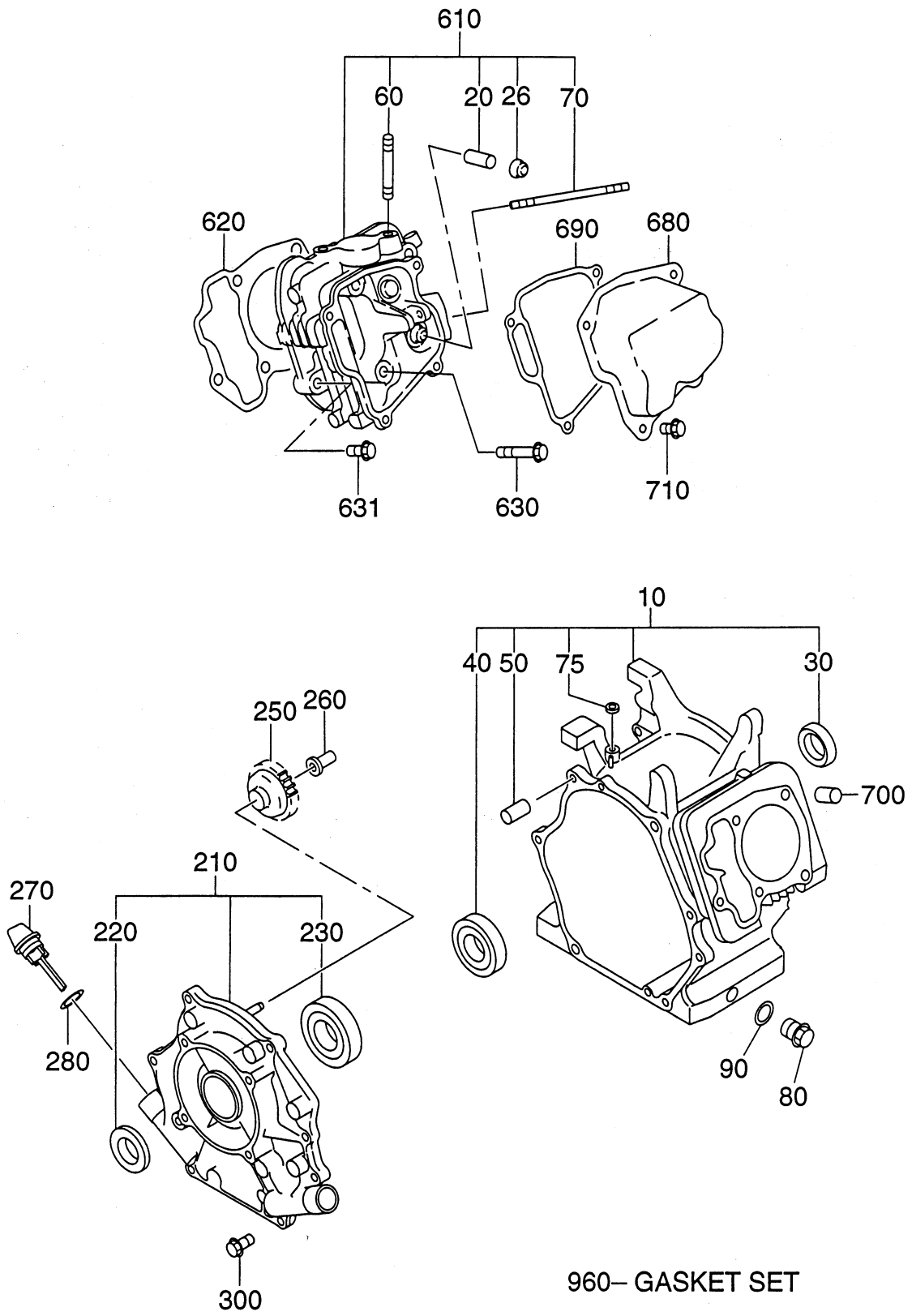
ENGINE PARTS

		FIG.
1	CRANKCASE	100
2	CRANKSHAFT, PISTON	200
3	INTAKE, EXHAUST	300,315
4	GOVERNOR, OPERATION	400
5	COOLING, STARTING	500,520
6	FUEL LUBRICANT	600,640
7	ELECTRIC DEVICE	700,770
9	ACCESSORIES	900

PUMP PARTS

42	PUMP	4200
----	------	------

FIG. 100



1 CRANK CASE

REF. NO.	PART NUMBER		PART NAME		CODE NO. FROM - TO	QTY	REMARKS	INTERCHANGEABLE PART NUMBER	FIG. NO.	
		PART NUMBER		SPEC. NO.						
10	279-10101-51		CRANK CASE CP		-	1			100	
	279-10102-51		EX270D10120		-	1	W/OIL SENSOR		100	
20	237-14202-03		VALVE GUIDE		-	1	5.5DX9.5DX27L		100	
26	277-16010-01		STEM SEAL		-	1	5.5DX9.5DX15DX7.8B		100	
30	044-03001-60		OIL SEAL		-	1	30DX45DX7B		100	
40	060-03003-41		BALL BEARING		-	1	30DX62DX16B		100	
50	277-15011-03		PIPE KNOCK		-	2	10.3DX8.5DX14L		100	
60	010-50802-50		STUD		-	2	M8X1.25X25L		100	
70	010-50604-10		STUD		-	2	M6X1.0X107L		100	
75	044-00600-20		OIL SEAL		-	1	6DX10DX2.5B		100	
80	040-11400-30		PLUG		-	2	M14X1.5X20DX12L		100	
90	021-11400-20		GASKET		-	2	14.1DX19DX2.3T		100	
210	279-11101-21		MAIN BEARING COVER C		-	1	FLANGE 4-M8X1.25		100	
220	044-03001-60		OIL SEAL		-	1	30DX45DX7B		100	
230	060-03003-70		BALL BEARING		-	1	30DX62DX16B		100	
250	277-45004-H1		GOVERNOR GEAR CP		-	1	53DX29.1T N=33		100	
260	277-41901-03		GOVERNOR SLEEVE		-	1	6DX7.6DX16DX26L		100	
270	279-63601-13		OIL GAUGE		-	2	M22X1.5 L=67.5+18		100	
280	021-32000-50		GASKET		-	2	20DX27DX1.5T RUBBER		100	
300	001-04083-50		FLANGE BOLT		-	7			100	
610	279-13001-21		CYLINDER HEAD CP		6635-	1			100	
	279-13001-11		CYLINDER HEAD CP		-6634	1		279-13001-21	100	
620	279-15001-33		GASKET (HEAD)		-	1	T=0.2		100	
630	011-00802-40		FLANGE BOLT		-	4	M8X1.25X16DX68L		100	
631	011-00803-10		FLANGE BOLT		-	1	M8X1.25X16DX33L		100	
680	277-15503-01		ROCKER COVER CP		-	1			100	
690	277-16001-13		GASKET (ROCKER COVER)		-	1	T=0.5		100	
700	277-15011-03		PIPE KNOCK		-	2	10.3DX8.5DX14L		100	
710	011-00600-20		FLANGE BOLT		-	4	M6X1.0X14DX12L		100	
960	279-99001-27		GASKET SET		-	1			100	
			DETAILS ARE ON NEXT PAGE							

FIG. 200

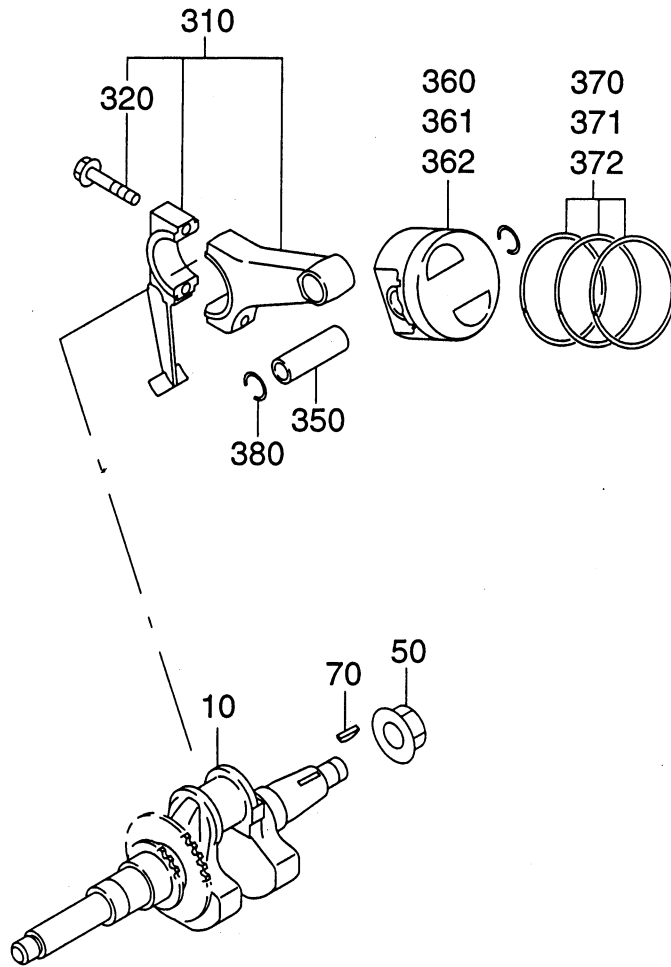


FIG. 300

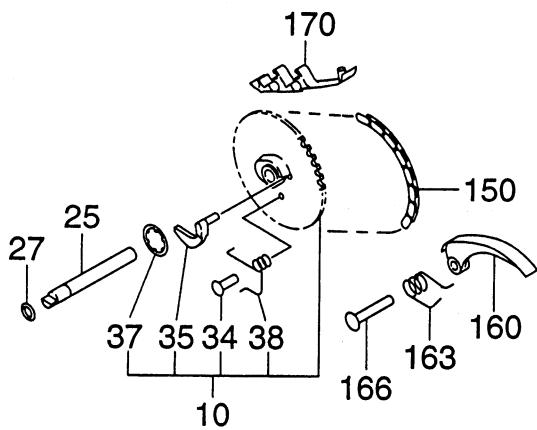
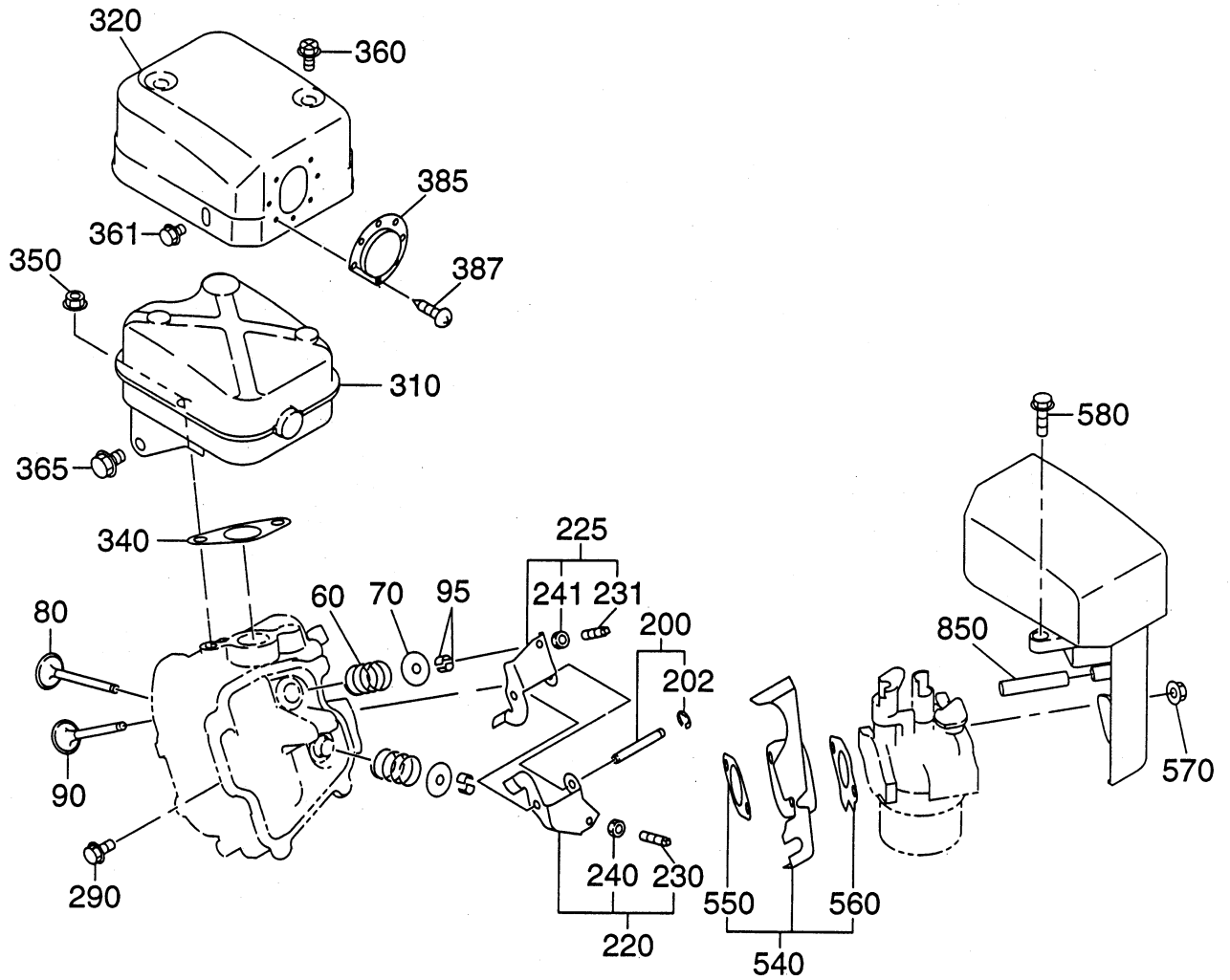
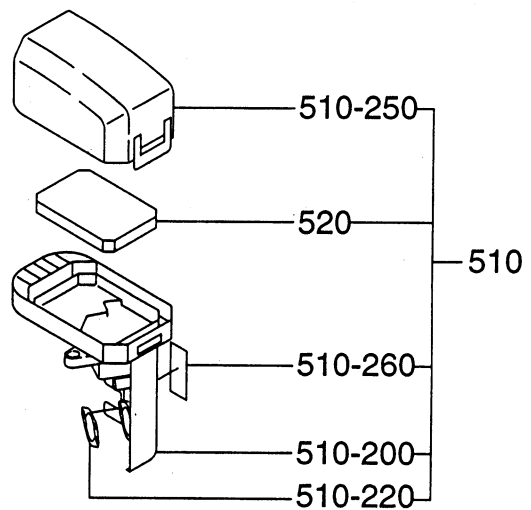


FIG. 315



3 INTAKE EXHAUST

REF. NO.	PART NUMBER		PART NAME		CODE NO. FROM - TO	QTY	REMARKS	INTERCHANGEABLE PART NUMBER	FIG. NO.
		PART NUMBER		SPEC. NO.					
10	279-31601-01		CAM SHAFT CP		-	1	93DX2. 9B N=44		300
25	277-35101-03		PIN(CAM SHAFT)		-	1	9DX78. 5L		300
27	024-00600-10		O RING		-	1	5. 8DX9. 6D		300
34	277-38601-03		PIN(SPRING)		-	1	4DX8DX9L		300
35	279-36401-03		RELEASE LEVER		-	1			300
37	277-36501-03		CLIP		-	1	13. 8DX20. 3DX0. 4T		300
38	277-38701-03		RETURN SPRING		-	1	5. 3DX0. 6DX5. 5L N=5. 8		300
60	279-33601-03		VALVE SPRING		-	2	19. 2DX2. 3DX27. 4L		300
70	269-33701-03		SPRING RETAINER		-	2			300
80	279-33401-H3		INTAKE VALVE		-	1	28. 5DX5. 5DX67. 8L		300
90	279-33501-H3		EXHAUST VALVE		-	1	26. 5DX5. 5DX67. 8L		300
95	132-10KA0-31		COLLET-VALVE		-	4			300
150	279-35601-11		TIMING CHAIN CP		-	1	100 LINK		300
160	277-36911-03		TENTIONER		-	1			300
163	277-37101-03		SPRING(TENTIONER)		-	1	10DX1. 8DX14L N=4. 5		300
166	277-36902-03		PIN(TENTIONER)		-	1	6DX13DX34L		300
170	277-36913-13		CHAIN GUIDE		-	1			300
200	277-35002-01		PIN(ROCKER) CP		-	1	6DX46L		300
202	003-13050-00		CLIP		-	1			300
220	277-36201-00		ROCKER ARM(IN) AY		-	1			300
225	277-36202-00		ROCKER ARM(EX) AY		-	1			300
230	014-90500-20		ADJUST SCREW		-	1	M5X0. 5X23L		300
231	014-90500-20		ADJUST SCREW		-	1	M5X0. 5X23L		300
240	017-00500-30		NUT		-	1	M5X0. 5X4. 1H		300
241	017-00500-30		NUT		-	1	M5X0. 5X4. 1H		300
290	011-00600-20		FLANGE BOLT		-	1	M6X1. 0X14DX12L		300
310	279-30101-K1		MUFFLER CP		6635-	1			300
	279-30101-H1		MUFFLER CP		-6634	1			300
320	279-34201-11		MUFFLER COVER CP		-	1			300
340	277-35201-13		GASKET(MUFFLER)		-	1	T=0. 2 26D 9DX58P		300
350	980-20082-80		FLANGE NUT		-	2			300
360	015-20600-90		TAPPING BOLT		-	2	M6X13DX10L		300
361	011-00600-10		FLANGE BOLT		-	1	M6X1. 0X14DX8L		300
365	011-00803-20		FLANGE BOLT		6210-	1	M8X1. 25X16DX12L		300
	011-00801-50		FLANGE BOLT		-6209	1	M8X1. 25X16DX12L		300
385	277-37203-H1		SCREEN CP		-	1			300

FIG. 400

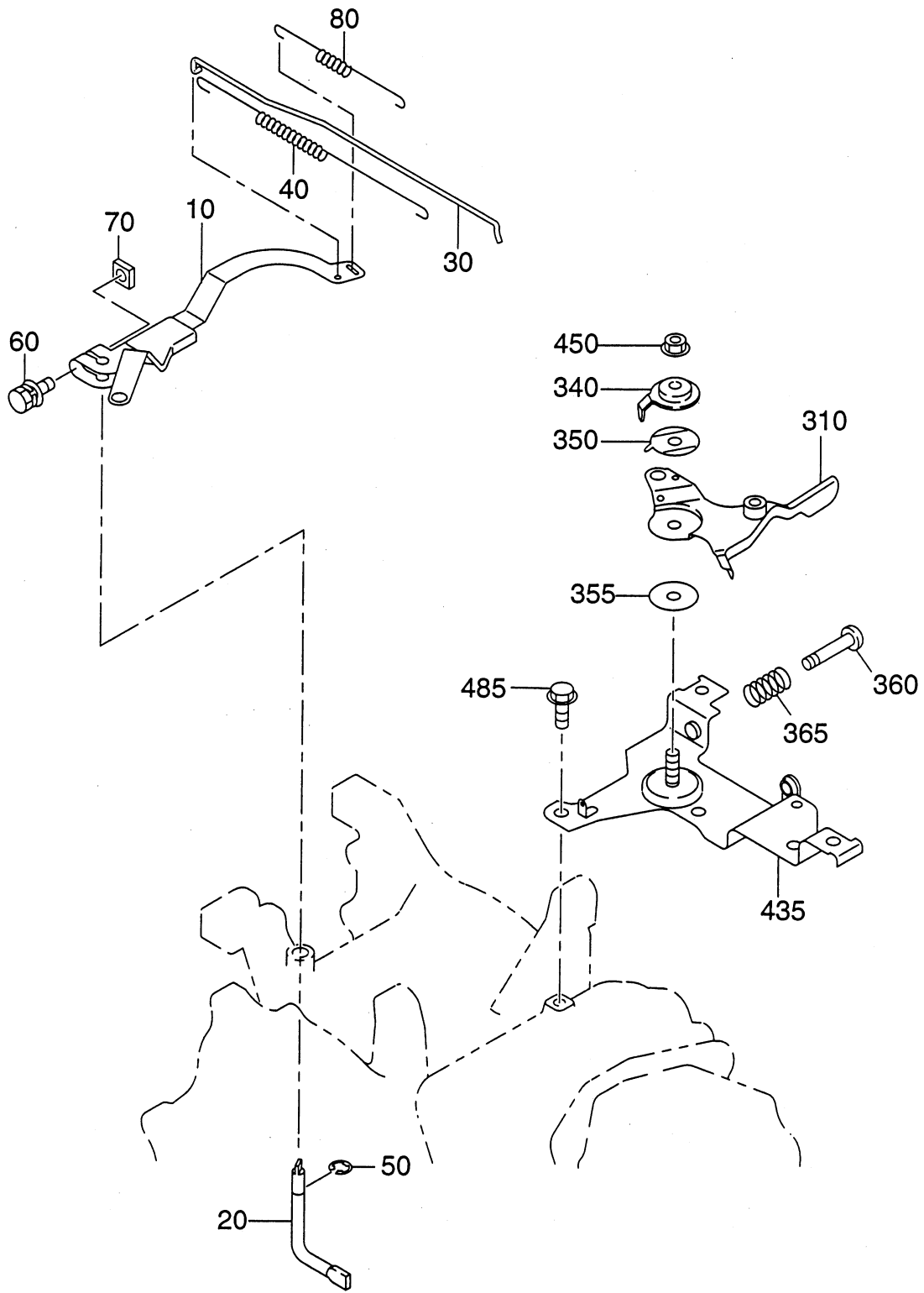


FIG. 500

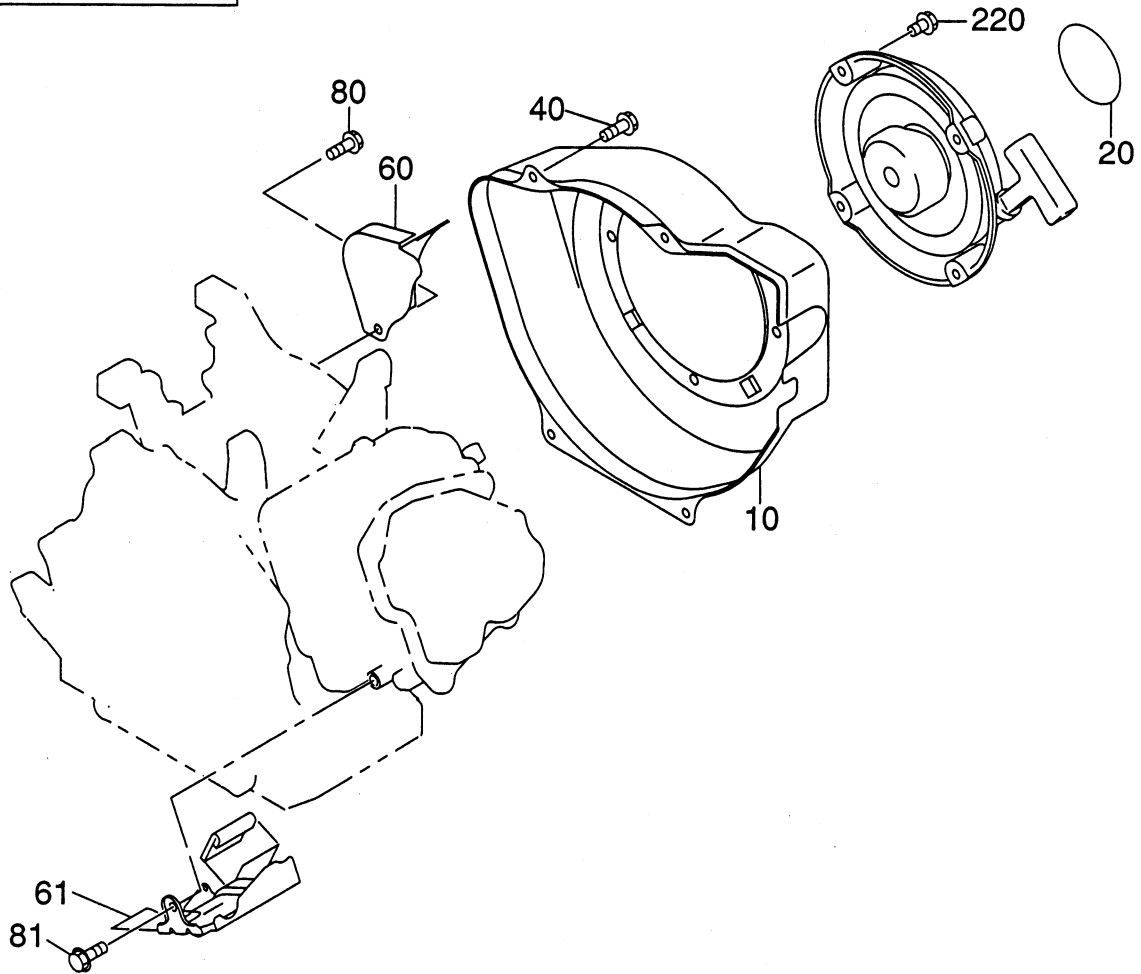


FIG. 520

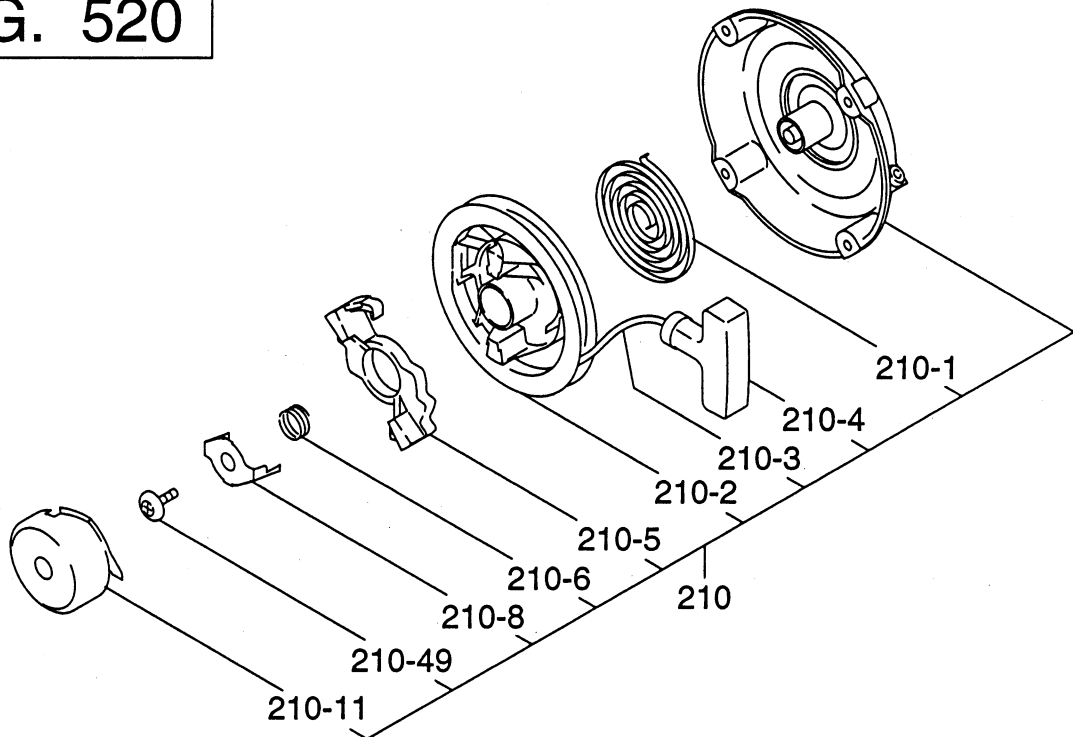


FIG. 600

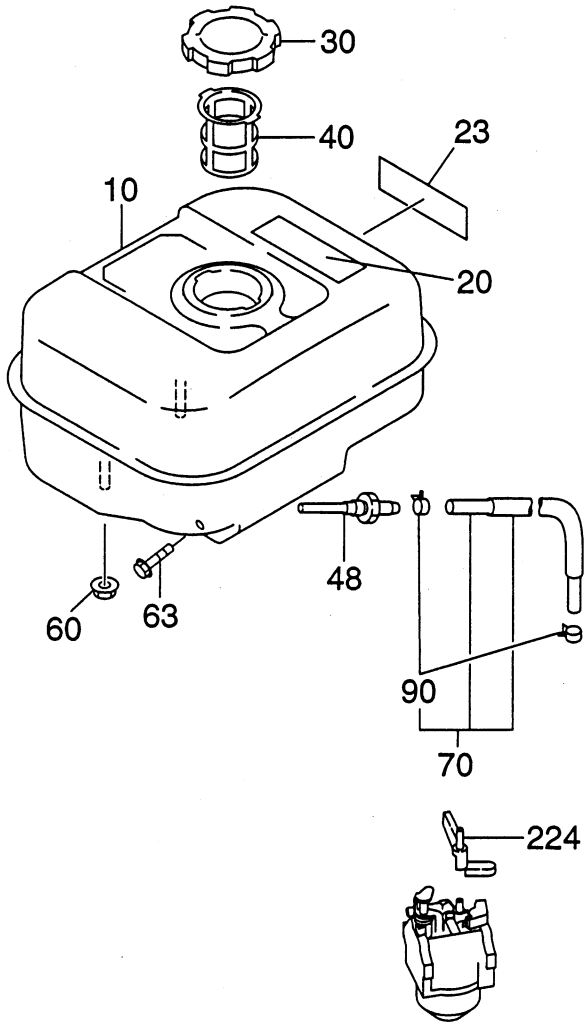
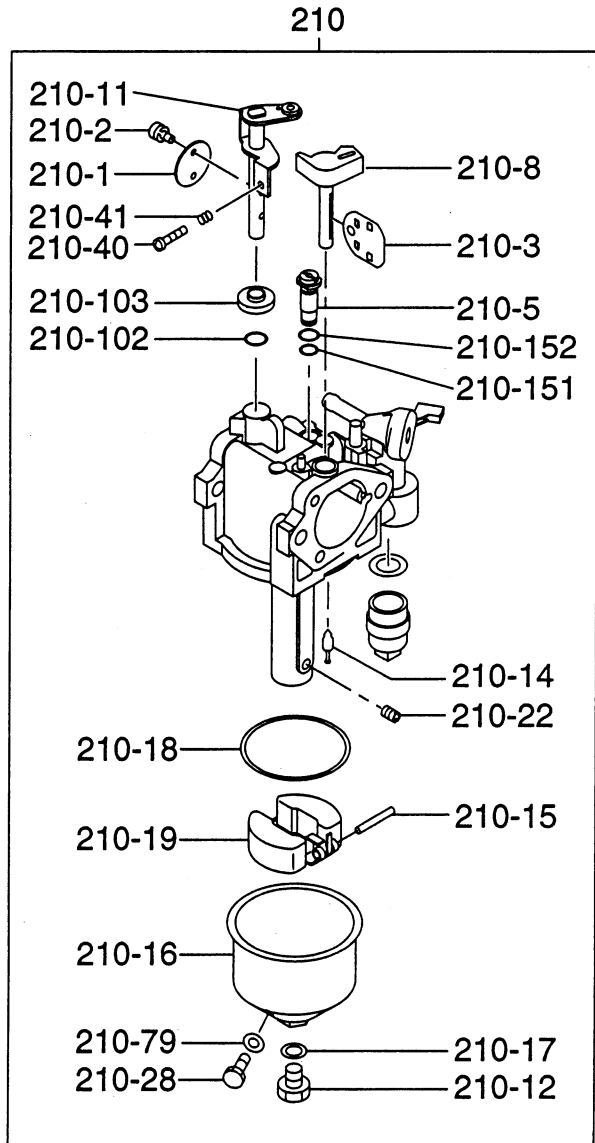


FIG. 640



6 FUEL LUBRICANT

REF. NO.	PART NUMBER		PART NAME		CODE NO. FROM - TO	QTY	REMARKS	INTERCHANGEABLE PART NUMBER	FIG. NO.
		PART NUMBER		SPEC. NO.					
10		279-60101-21		FUEL TANK CP	-	1	6. 1L ROBIN YELLOW		600
20		073-20051-81		LABEL (WARNING)	-	1	42X104 ENGLISH		600
23		279-95111-03		LABEL (MODEL)	6599-	1			600
		279-95101-03		LABEL (MODEL)	-6598	1	32X125		600
30		043-04400-50		FUEL TANK CAP CP	-	1	43DX68DX14H BLACK		600
40		X64-13600-10		FUEL FILTER	6331-	1			600
		064-13600-10		FUEL FILTER	-6330	1	36DX46DX43H		600
48		050-51200-20		UNION	-	1	M12X4DX78L W/FILTER		600
60		002-38080-00		FLANGE NUT	-	2			600
63		011-00802-50		FLANGE BOLT	-	2	M8X1. 25X16DX25L		600
70		279-62605-J1		FUEL PIPE CP	-	1	6DX11DX195L		600
90		X56-11100-20		HOSE CLAMP	-	2	10. 5DX8BX0. 7T		600
210		279-62301-30		CARBURETOR AY	-	1			640
- 1		279-62535-08		VALVE THROTTLE	-	1			640
- 2		251-62450-08		SCREW	-	2			640
- 3		279-62525-08		VALVE CHOKE	-	1			640
- 5		279-62420-08		JET SLOW	-	1			640
- 8		279-62520-08		SHAFT CHOKE	-	1			640
- 11		279-62530-08		SHAFT SUB ASSY (TH)	-	1			640
- 12		251-62453-08		SCREW	-	1			640
- 14		279-62500-08		VALVE ASSY NEEDLE	-	1			640
- 15		279-62515-08		PIN FLOAT LEVER	-	1			640
- 16		285-62550-08		FLOAT CHAMBER SUB AY	-	1			640
- 17		251-62350-08		GASKET	-	1			640
- 18		279-62540-08		GASKET CHAMBER	-	1			640
- 19		279-62505-08		FLOAT SUB ASSY	-	1			640
- 22		279-62400-08		JET MAIN	-	1			640
- 28		285-62551-08		DRAIN SCREW	-	1			640
- 40		279-62353-18		SCREW ADJUSTING	-	1			640
- 41		279-62445-08		SPRING	-	1			640
- 79		285-62552-08		PACKING	-	1			640
-102		279-62561-08		BUSH	-	1			640
-103		279-62562-08		COLLAR	-	1			640
-151		279-62451-08		O-RING	-	1			640
-152		279-62452-08		O-RING	-	1			640
224		277-43801-01		CHOKE LEVER CP	-	1			600

FIG. 700

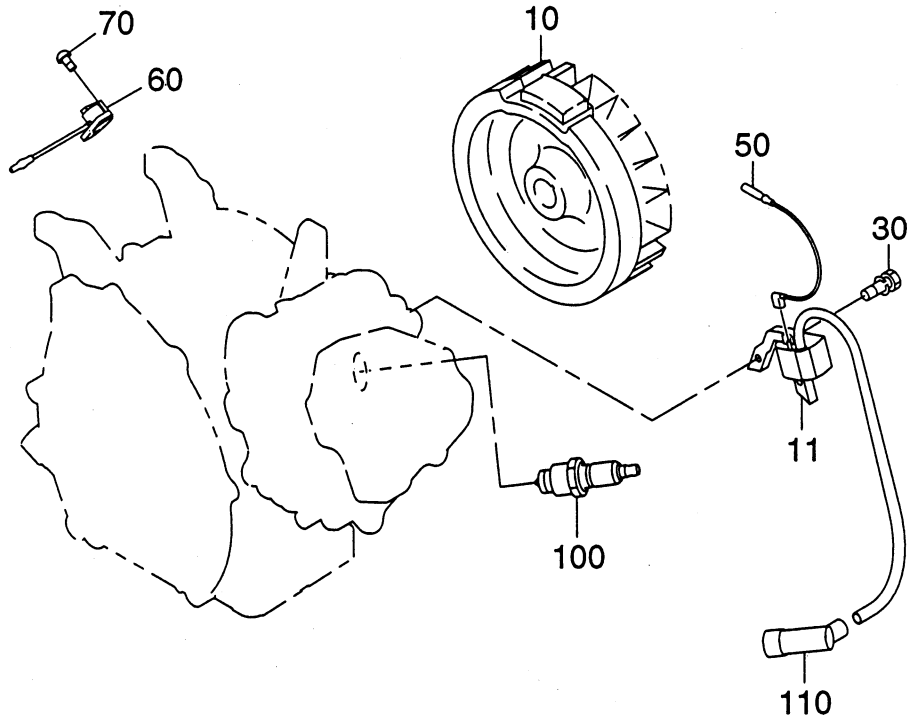


FIG. 770

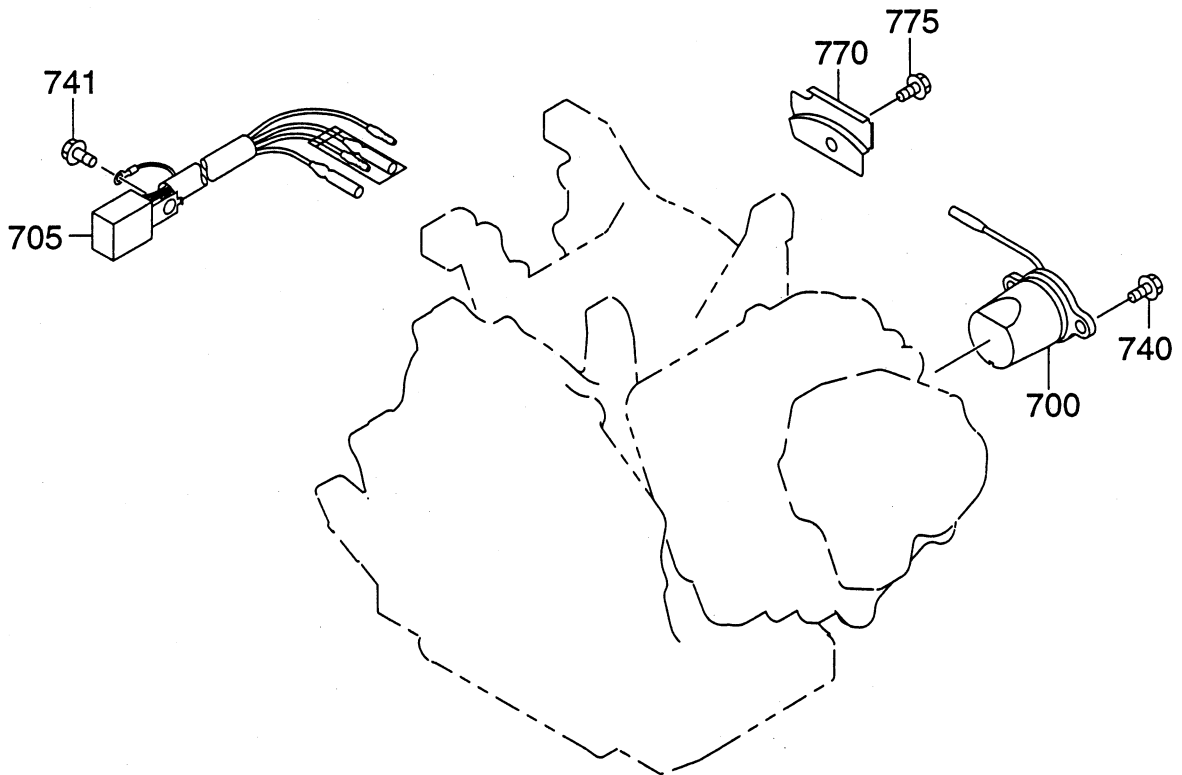


FIG. 900

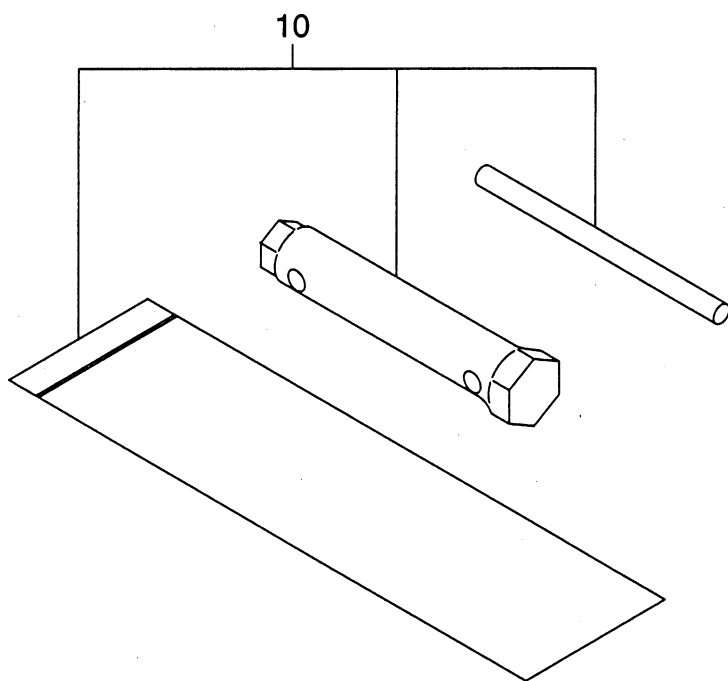
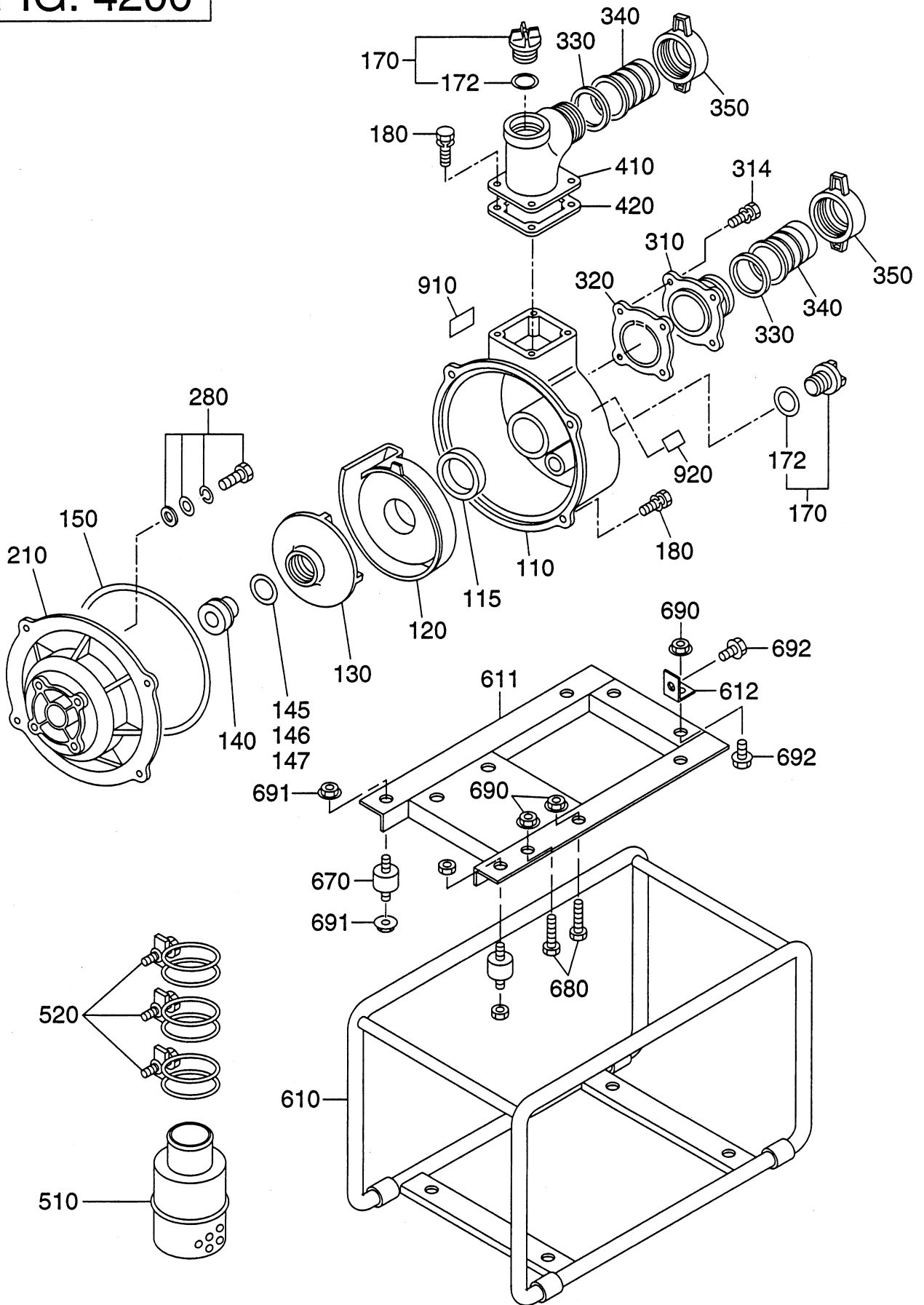


FIG. 4200



4 2 PUMP

REF. NO.	PART NUMBER		PART NAME		CODE NO. FROM - TO	QTY	REMARKS	INTERCHANGEABLE PART NUMBER	FIG. NO.
		PART NUMBER		SPEC. NO.					
110	480-10010-01		CASING		-	1			4200
115	480-10010-12		PACKING, INNER CASING		-	1			4200
120	480-10010-11		INNER CASING		-	1			4200
130	480-10010-09		IMPELLER		-	1			4200
140	480-10010-10		MECHANICAL SEAL		-	1			4200
145	480-10010-43		SHIM		-	1	T=0.3		4200
146	480-10010-44		SHIM		-	1	T=0.6		4200
147	480-10010-45		SHIM		-	1	T=1.0		4200
150	480-10010-02		PACKING, CASING		-	1			4200
170	480-05010-21		PLUG, DRAIN		-	2			4200
172	480-05010-22		O-RING		-	2			4200
180	480-05010-03		BOLT & WASHER AY		-	12			4200
210	480-10010-04		CASING COVER		-	1			4200
280	480-05010-05		CASING BOLT AY		-	4			4200
310	480-10010-13		SUCTION FLANGE		-	1			4200
320	480-10010-15		CHECK VALVE		-	1			4200
330	480-10010-17		PACKING, HOSE JOINT		-	2			4200
340	480-10010-18		NIPPLE, AL		-	2			4200
350	480-10010-16		NIPPLE		-	2			4200
410	480-10010-19		DELIVERY FLANGE		-	1			4200
420	480-10010-20		PACKING		-	1			4200
510	480-10010-29		STRAINER		-	1			4200
520	480-10010-28		HOSE BAND		-	3			4200
610	481-00001-81		FRAME		-	1			4200
611	481-00001-82		BASE		-	1			4200
612	481-00001-00		METAL		-	1			4200
670	480-10010-32		CUSHION RUBBER		-	4			4200
680	480-10010-30		BOLT		-	4			4200
690	480-10010-25		FLANGE NUT		-	6			4200
691	480-10010-24		NUT & WASHER AY		-	8			4200
692	480-10010-14		BOLT & WASHER AY		-	4			4200
910	484-00014-03		LABEL, PUMP NAME		-	1			4200
	484-00015-03		PTX40100010		-	1			4200
920	480-85210-37		CAUTION PLATE		-	1			4200

PART NUMBER INDEX LIST (FIG. No. 100~900)

PART NUMBER	PART NAME	FIG. REF.	PART NUMBER	PART NAME	FIG. REF.
KU3-11043-11	FLOAT C/U CP3	770 705	064-13600-10	FUEL FILTER	600 40
X56-11100-20	HOSE CLAMP	600 90	065-01401-50	SPARK PLUG	700 100
X64-13600-10	FUEL FILTER	600 40	065-50002-70	SPARK PLUG CAP	700 110
X66-00004-20	SWITCH AY	700 60	073-20051-81	LABEL(WARNING)	600 20
001-04062-00	FLANGE BOLT	300 580	073-20054-70	LABEL(TRADE MARK)	500 20
001-04083-50	FLANGE BOLT	100 300	132-10KA0-31	COLLET-VALVE	300 95
001-14061-60	BOLT AND WASHER AY	770 740	226-50701-08	STARTER KNOB	520 210 - 4
001-14062-50	BOLT AND WASHER AY	700 30	226-50716-08	SPIRAL SPRING	520 210 - 1
001-65081-20	BOLT	500 80	237-14202-03	VALVE GUIDE	100 20
002-35060-00	SELF LOCK NUT	400 450	237-45004-23	SPRING (ADJUST)	400 365
002-38060-00	FLANGE NUT	300 570	251-62350-08	GASKET	640 210 - 17
002-38080-00	FLANGE NUT	600 60	251-62450-08	SCREW	640 210 - 2
003-13050-00	CLIP	300 202	251-62453-08	SCREW	640 210 - 12
003-13050-00	CLIP	400 50	269-33701-03	SPRING RETAINER	300 70
004-31062-50	SCREW	400 360	277-15011-03	PIPE KNOCK	100 50
010-50604-10	STUD	100 70	277-15011-03	PIPE KNOCK	100 700
010-50802-50	STUD	100 60	277-15503-01	ROCKER COVER CP	100 680
011-00600-10	FLANGE BOLT	300 361	277-16001-13	GASKET(ROCKER COVER)	100 690
011-00600-10	FLANGE BOLT	770 741	277-16010-01	STEM SEAL	100 26
011-00600-20	FLANGE BOLT	100 710	277-35002-01	PIN(ROCKER) CP	300 200
011-00600-20	FLANGE BOLT	300 290	277-35101-03	PIN(CAM SHAFT)	300 25
011-00600-20	FLANGE BOLT	400 485	277-35201-13	GASKET(MUFFLER)	300 340
011-00600-20	FLANGE BOLT	500 81	277-36201-00	ROCKER ARM(IN) AY	300 220
011-00600-30	FLANGE BOLT	500 40	277-36202-00	ROCKER ARM(EX) AY	300 225
011-00801-50	FLANGE BOLT	300 365	277-36501-03	CLIP	300 37
011-00802-40	FLANGE BOLT	100 630	277-36902-03	PIN(TENTIONER)	300 166
011-00802-50	FLANGE BOLT	600 63	277-36911-03	TENTIONER	300 160
011-00803-10	FLANGE BOLT	100 631	277-36913-13	CHAIN GUIDE	300 170
011-00803-20	FLANGE BOLT	300 365	277-37101-03	SPRING(TENTIONER)	300 163
013-00602-40	BOLT AND WASHER AY	400 60	277-37203-H1	SCREEN CP	300 385
013-00602-80	BOLT AND WASHER AY	500 220	277-38601-03	PIN(SPRING)	300 34
014-90500-20	ADJUST SCREW	300 230	277-38701-03	RETURN SPRING	300 38
014-90500-20	ADJUST SCREW	300 231	277-41901-03	GOVERNOR SLEEVE	100 260
015-00400-60	TAPPING SCREW	300 387	277-42201-33	GOVERNOR SHAFT	400 20
015-00400-90	TAPPING SCREW	700 70	277-42801-23	ROD SPRING	400 40
015-20600-50	TAPPING BOLT	770 775	277-43303-03	SPEED CONTROL LEVER	400 310
015-20600-90	TAPPING BOLT	300 360	277-43501-03	STOP PLATE	400 340
017-00500-30	NUT	300 240	277-43502-03	STOP PLATE	400 340
017-00500-30	NUT	300 241	277-43801-01	CHOKE LEVER CP	600 224
018-01800-10	FLANGE NUT	200 50	277-44501-03	WASHER	400 350
018-60600-20	NUT	400 70	277-45004-H1	GOVERNOR GEAR CP	100 250
020-00601-70	WASHER	400 350	277-46002-02	SPEED CONT. BRKT UN	400 435
021-11400-20	GASKET	100 90	277-50121-08	REEL	520 210 - 2
021-32000-50	GASKET	100 280	277-73101-H1	WIRE 1 CP	700 50
021-70600-70	FRICTION WASHER	400 355	277-73102-H1	WIRE 2 CP	700 50
024-00600-10	O RING	300 27	277-90301-H0	ACCESSORY TOOL KIT	900 10
032-30300-10	WOODRUFF KEY	200 70	279-10101-51	CRANK CASE CP	100 10
040-11400-30	PLUG	100 80	279-10102-51	CRANK CASE CP	100 10
043-04400-50	FUEL TANK CAP CP	600 30	279-11101-21	MAIN BEARING COVER C	100 210
044-00600-20	OIL SEAL	100 75	279-13001-11	CYLINDER HEAD CP	100 610
044-03001-60	OIL SEAL	100 30	279-13001-21	CYLINDER HEAD CP	100 610
044-03001-60	OIL SEAL	100 220	279-15001-33	GASKET (HEAD)	100 620
050-51200-20	UNION	600 48	279-20301-41	CRANK SHAFT CP	200 10
056-51800-10	CLIP	200 380	279-22501-20	CONNECTING ROD AY	200 310
060-03003-41	BALL BEARING	100 40	279-22501-30	CONNECTING ROD AY	200 310
060-03003-70	BALL BEARING	100 230	279-23001-03	CONNECTING ROD BOLT	200 320

PART NUMBER INDEX LIST (FIG. No. 100~900)

PART NUMBER	PART NAME	FIG. REF.	PART NUMBER	PART NAME	FIG. REF.
279-23301-13	PISTON PIN	200 350	279-62605-J1	FUEL PIPE CP	600 70
279-23401-H3	PISTON	200 360	279-63601-13	OIL GAUGE	100 270
279-23403-H3	PISTON	200 361	279-75501-03	WIRE CLAMP	770 770
279-23404-H3	PISTON	200 362	279-75501-13	WIRE CLAMP	770 770
279-23511-17	PISTON RING SET	200 370	279-76301-31	OIL SENSOR CP	770 700
279-23512-17	PISTON RING SET	200 371	279-79230-01	FLYWHEEL CP	700 10
279-23513-17	PISTON RING SET	200 372	279-79430-01	IGNITION COIL CP	700 11
279-30101-H1	MUFFLER CP	300 310	279-95101-03	LABEL(MODEL)	600 23
279-30101-K1	MUFFLER CP	300 310	279-95111-03	LABEL(MODEL)	600 23
279-31601-01	CAM SHAFT CP	300 10	279-99001-27	GASKET SET	100 960
279-32603-08	ELEMENT	315 520	281-50325-08	RATCHET	520 210 - 5
279-32611-10	AIR CLEANER AY	315 510	281-50330-08	FRICTION SPRING	520 210 - 6
279-32630-18	CASE	315 510 -200	281-50340-08	FRICTION PLATE	520 210 - 8
279-32640-08	COVER	315 510 -250	281-50351-08	CENTER SCREW	520 210 - 49
279-32650-08	GASKET	315 510 -220	285-62550-08	FLOAT CHAMBER SUB AY	640 210 - 16
279-32730-08	LABEL	315 510 -260	285-62551-08	DRAIN SCREW	640 210 - 28
279-32760-08	RUBBER PIPE	300 850	285-62552-08	PACKING	640 210 - 79
279-32902-J1	INSULATOR CP	300 540	980-20082-80	FLANGE NUT	300 350
279-33401-H3	INTAKE VALVE	300 80			
279-33501-H3	EXHAUST VALVE	300 90			
279-33601-03	VALVE SPRING	300 60			
279-34201-11	MUFFLER COVER CP	300 320			
279-35601-11	TIMING CHAIN CP	300 150			
279-35902-J3	GASKET1(INSULATOR)	300 560			
279-35903-J3	GASKET2(INSULATOR)	300 550			
279-36401-03	RELEASE LEVER	300 35			
279-42301-13	GOVERNOR LEVER	400 10			
279-42301-23	GOVERNOR LEVER	400 10			
279-42301-33	GOVERNOR LEVER	400 10			
279-42502-23	GOVERNOR SPRING	400 80			
279-42701-11	GOVERNOR ROD CP	400 30			
279-43301-13	SPEED CONTROL LEVER	400 310			
279-50110-08	STARTER ROPE	520 210 - 3			
279-50148-08	STARTER PULLEY	520 210 - 11			
279-50301-00	RECOIL STARTER AY	520 210			
279-51201-11	BLOWER HOUSING CP	500 10			
279-52702-13	BAFFLE 2(HEAD)	500 61			
279-52711-11	BAFFLE 1(CASE) CP	500 60			
279-60101-21	FUEL TANK CP	600 10			
279-62301-30	CARBURETOR AY	640 210			
279-62353-18	SCREW ADJUSTING	640 210 - 40			
279-62400-08	JET MAIN	640 210 - 22			
279-62420-08	JET SLOW	640 210 - 5			
279-62445-08	SPRING	640 210 - 41			
279-62451-08	O-RING	640 210 -151			
279-62452-08	O-RING	640 210 -152			
279-62500-08	VALVE ASSY NEEDLE	640 210 - 14			
279-62505-08	FLOAT SUB ASSY	640 210 - 19			
279-62515-08	PIN FLOAT LEVER	640 210 - 15			
279-62520-08	SHAFT CHOKE	640 210 - 8			
279-62525-08	VALVE CHOKE	640 210 - 3			
279-62530-08	SHAFT SUB ASSY(TH)	640 210 - 11			
279-62535-08	VALVE THROTTLE	640 210 - 1			
279-62540-08	GASKET CHAMBER	640 210 - 18			
279-62561-08	BUSH	640 210 -102			
279-62562-08	COLLAR	640 210 -103			

PART NUMBER INDEX LIST (FIG. No. 4200)

PART NUMBER	PART NAME	FIG. REF.	PART NUMBER	PART NAME	FIG. REF.
480-05010-03	BOLT & WASHER AY	4200 180			
480-05010-05	CASING BOLT AY	4200 280			
480-05010-21	PLUG, DRAIN	4200 170			
480-05010-22	O-RING	4200 172			
480-10010-01	CASING	4200 110			
480-10010-02	PACKING, CASING	4200 150			
480-10010-04	CASING COVER	4200 210			
480-10010-09	IMPELLER	4200 130			
480-10010-10	MECHANICAL SEAL	4200 140			
480-10010-11	INNER CASING	4200 120			
480-10010-12	PACKING, INNER CASING	4200 115			
480-10010-13	SUCTION FLANGE	4200 310			
480-10010-14	BOLT & WASHER AY	4200 692			
480-10010-15	CHECK VALVE	4200 320			
480-10010-16	NIPPLE	4200 350			
480-10010-17	PACKING, HOSE JOINT	4200 330			
480-10010-18	NIPPLE, AL	4200 340			
480-10010-19	DELIVERY FLANGE	4200 410			
480-10010-20	PACKING	4200 420			
480-10010-24	NUT & WASHER AY	4200 691			
480-10010-25	FLANGE NUT	4200 690			
480-10010-28	HOSE BAND	4200 520			
480-10010-29	STRAINER	4200 510			
480-10010-30	BOLT	4200 680			
480-10010-32	CUSHION RUBBER	4200 670			
480-10010-43	SHIM	4200 145			
480-10010-44	SHIM	4200 146			
480-10010-45	SHIM	4200 147			
480-85210-37	CAUTION PLATE	4200 920			
481-00001-00	METAL	4200 612			
481-00001-81	FRAME	4200 610			
481-00001-82	BASE	4200 611			
484-00014-03	LABEL, PUMP NAME	4200 910			
484-00015-03	LABEL, PUMP NAME	4200 910			

FUJI HEAVY INDUSTRIES LTD.
INDUSTRIAL PRODUCTS COMPANY

4-410 Asahi, Kitamoto-shi,
Saitama, 364-8511, Japan

Phone +81(48) 593-7896

Fax +81(48) 593-7965

Web site <http://www.fhi.co.jp/robin/>