



PARTS CATALOG

Robin

Generator

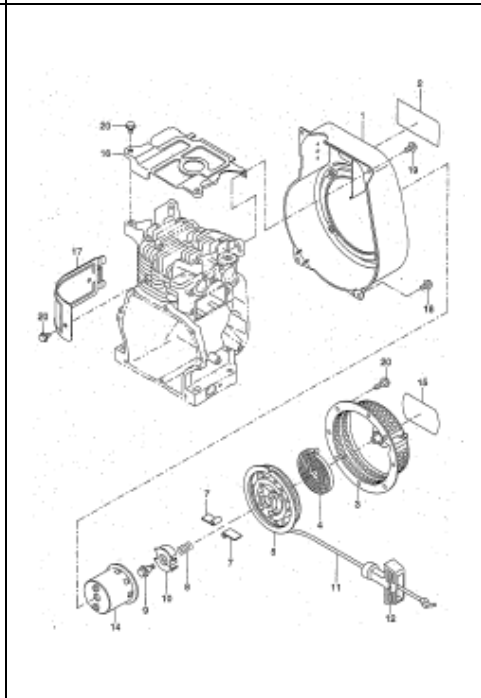
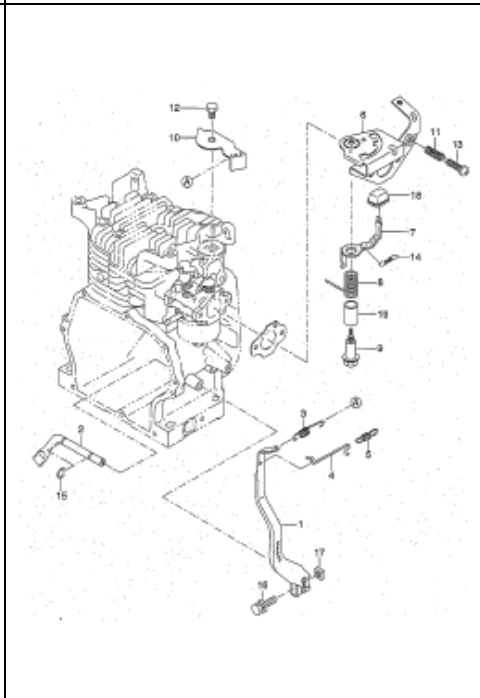
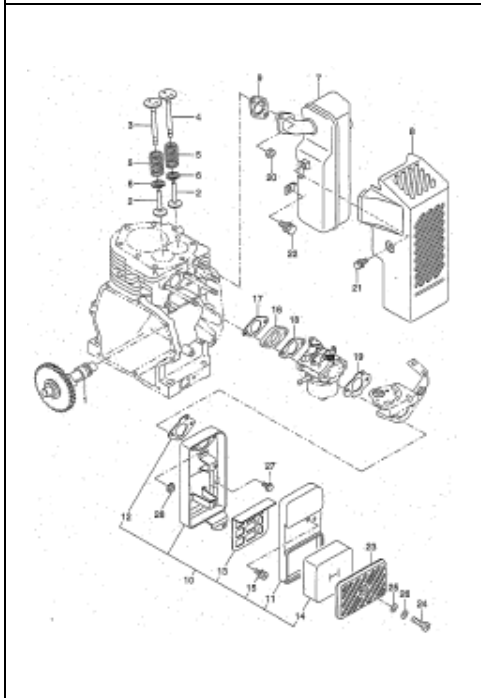
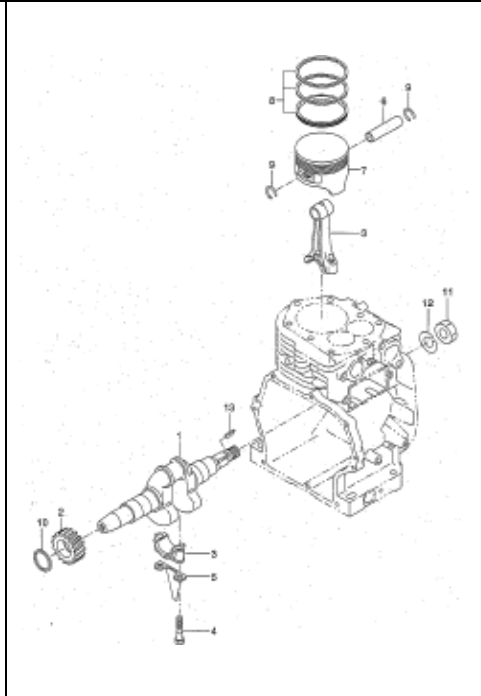
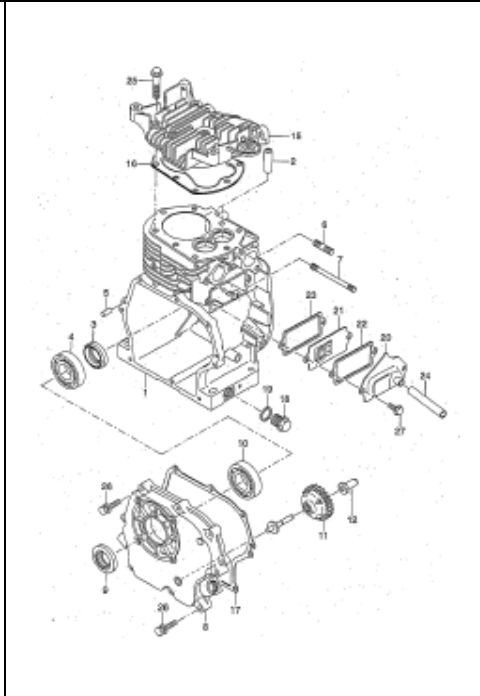
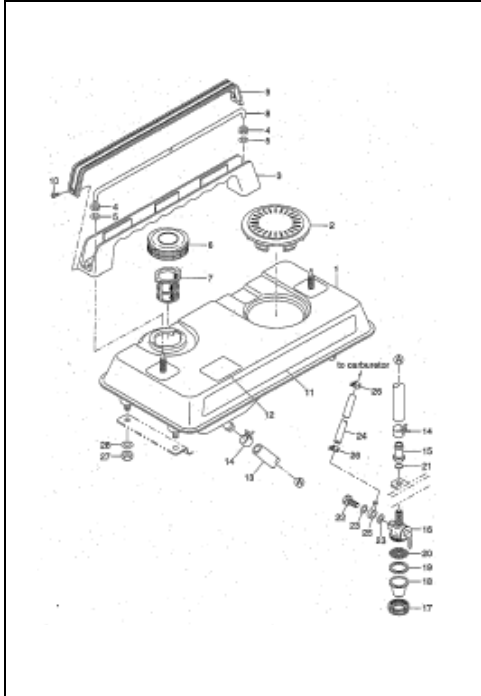
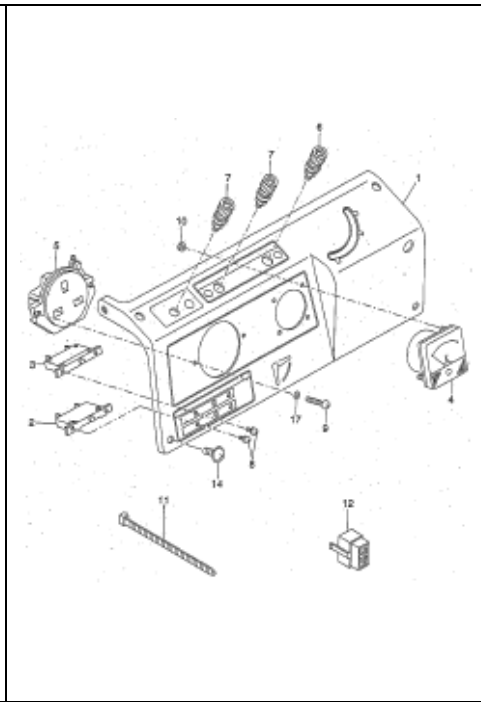
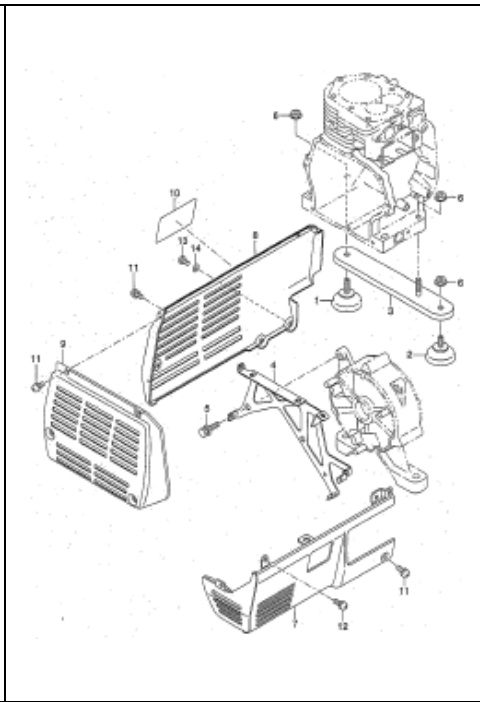
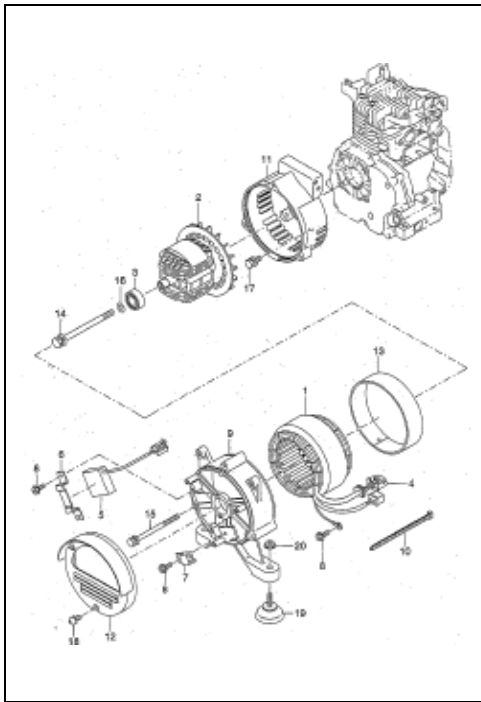
Model

R1300

Spec.No. RG013018040 (BF RECEPTACLE)

 **FUJI HEAVY INDUSTRIES LTD.**

ISSUE EMD-GP1467



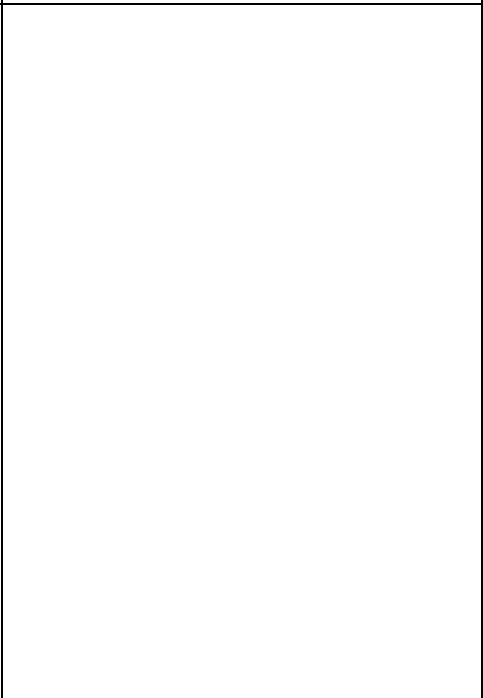
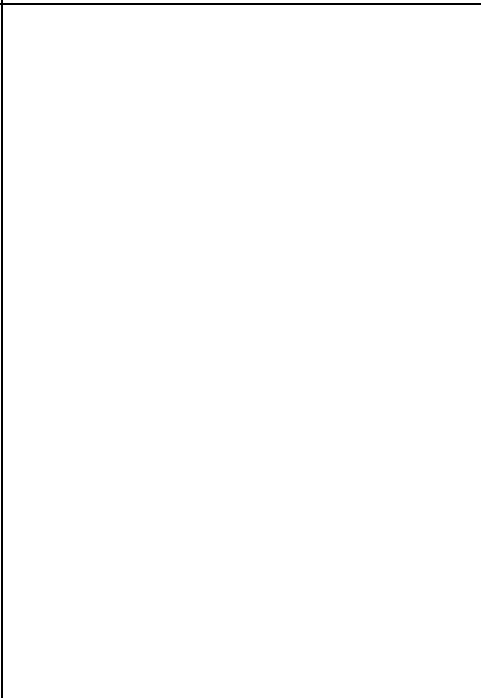
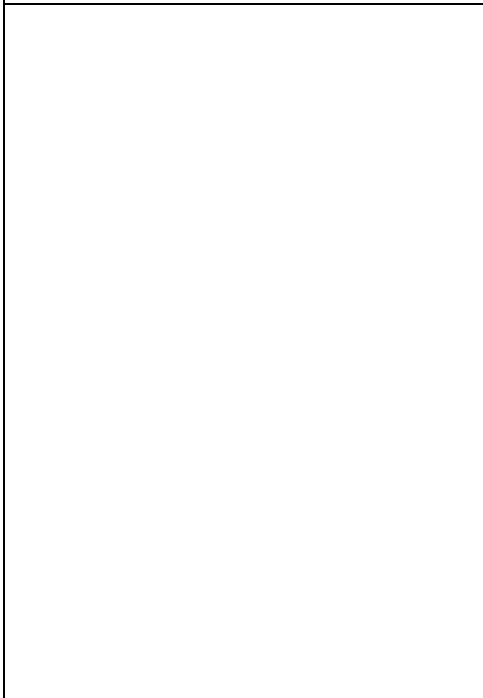
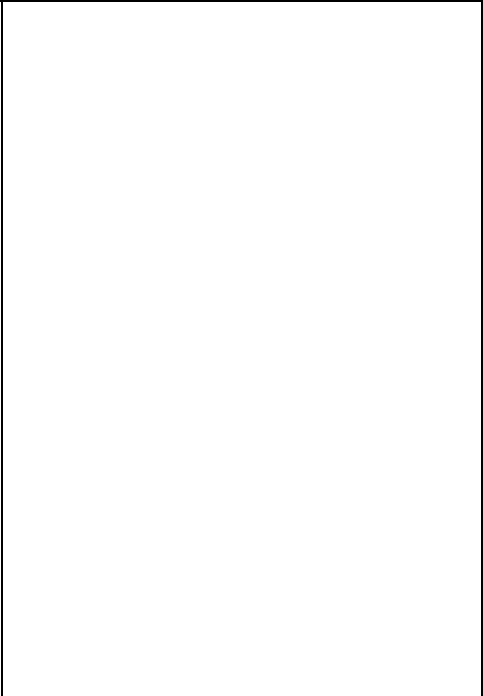
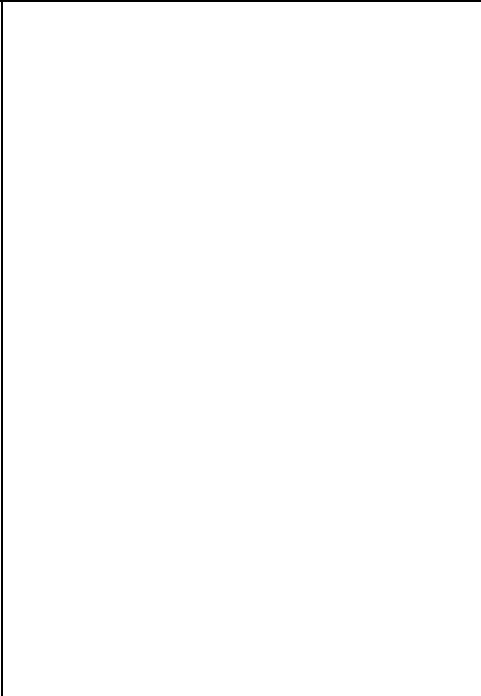
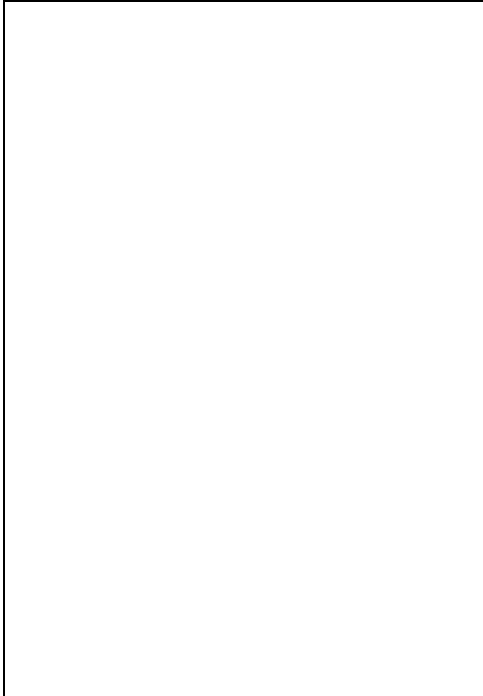
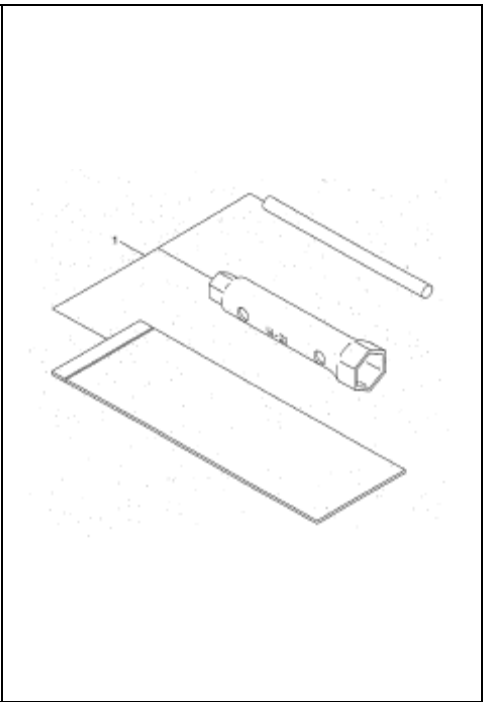
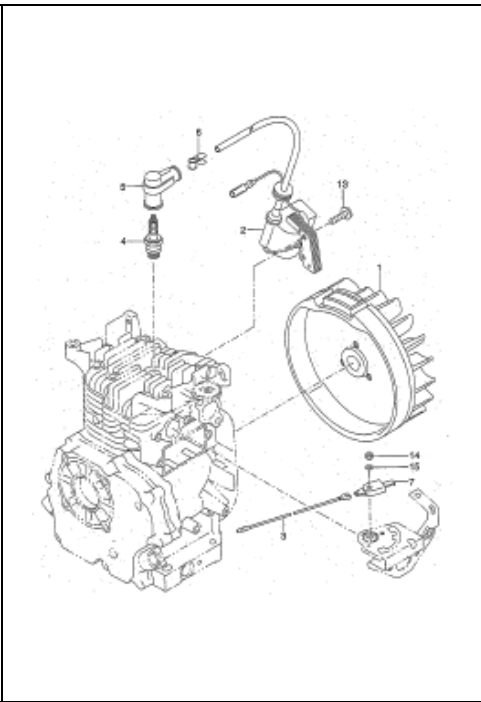
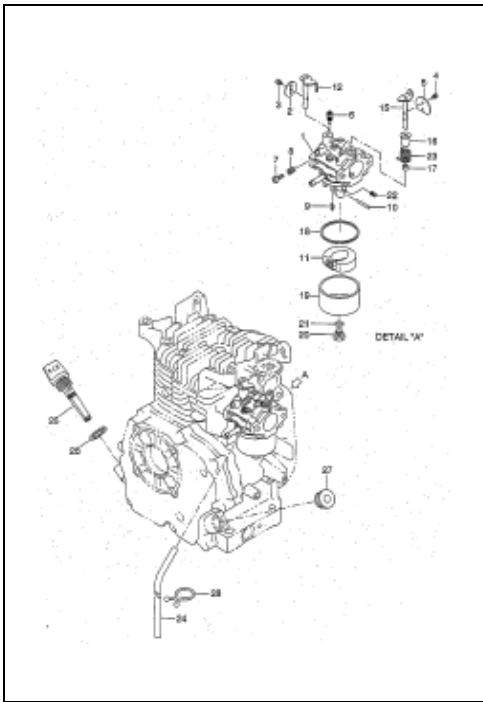


FIG.1 GENERATOR

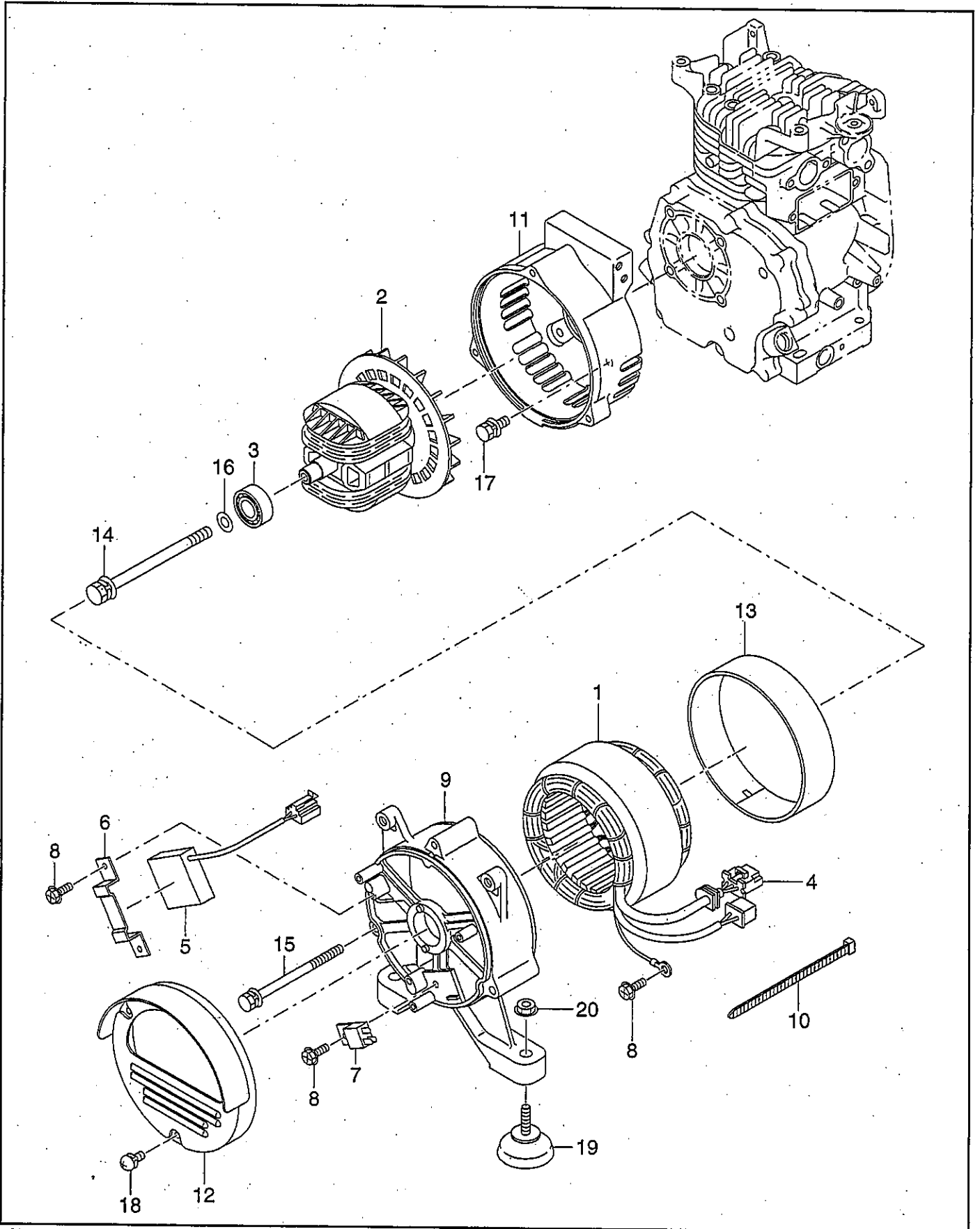


FIG.2 COVER

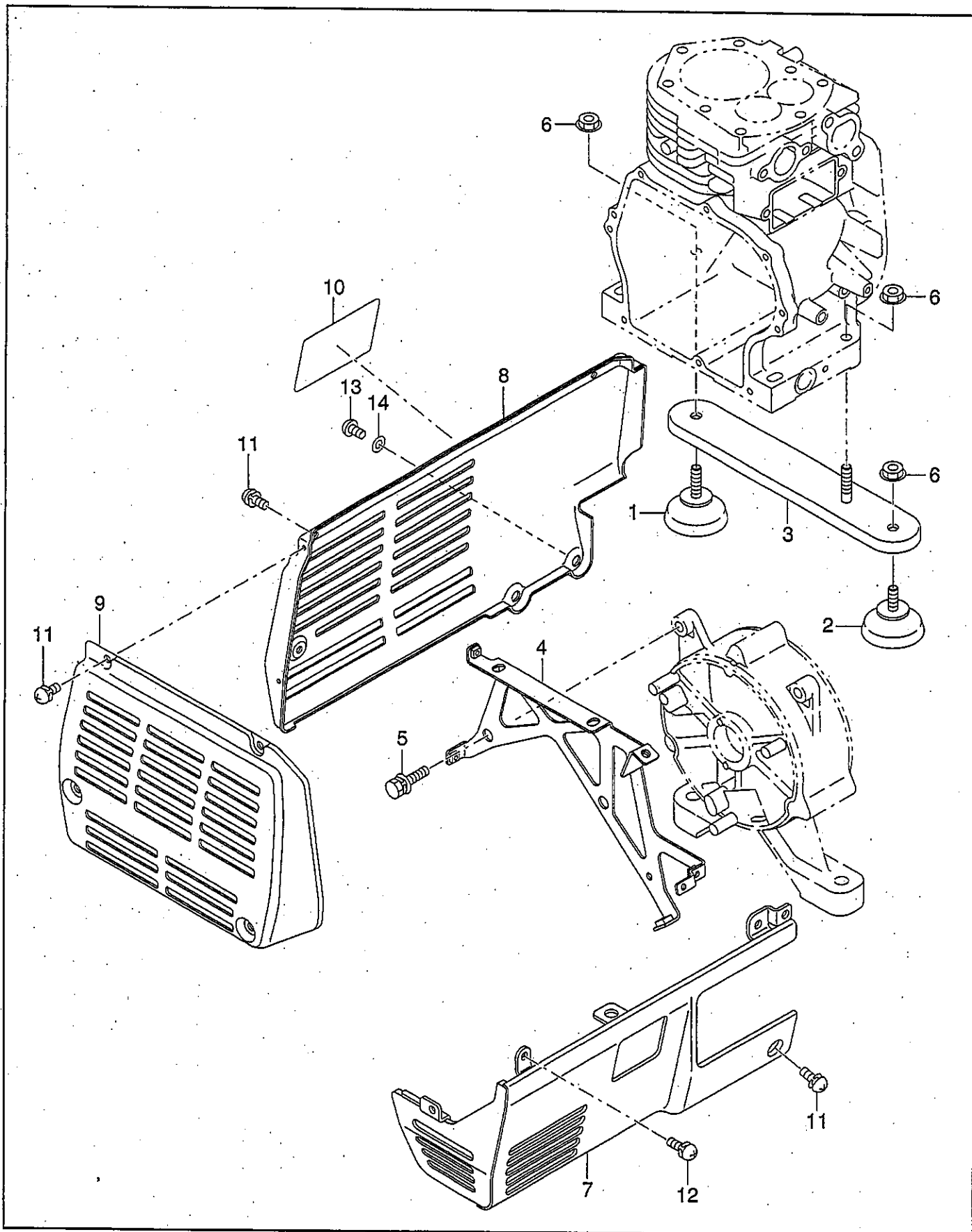


FIG.2 COVER

↙ Interchangeability

Ref. No.	Part Number	Description	Q'ty	Execution
1	350-30101-01	MOUNT, compl.	1	
2	350-30102-01	MOUNT, compl.	1	
3	350-30701-21	MOUNT BRACKET, compl.	1	
4	350-35101-11	BRACKET, cover., compl.	1	
5	001-13082-00	BOLT and WASHER ASS'Y	2	
6	002-38080-00	FLANGE NUT	3	
7	350-50301-01	FRONT COVER, compl	1	
8	350-50701-01	REAR COVER, compl.	1	
9	350-51701-01	SIDE COVER	1	
10	350-94303-03	LABEL, spec For 50Hz-240V	1	
11	013-10500-20	SCREW and WASHER ASS'Y	8	
12	004-34051-00	SCREW and WASHER ASS'Y	2	
13	004-31081-00	SCREW, pan head	2	
14	003-11080-00	WASHER	2	

FIG.3 CONTROL PANEL (BF RECEPTACLE)

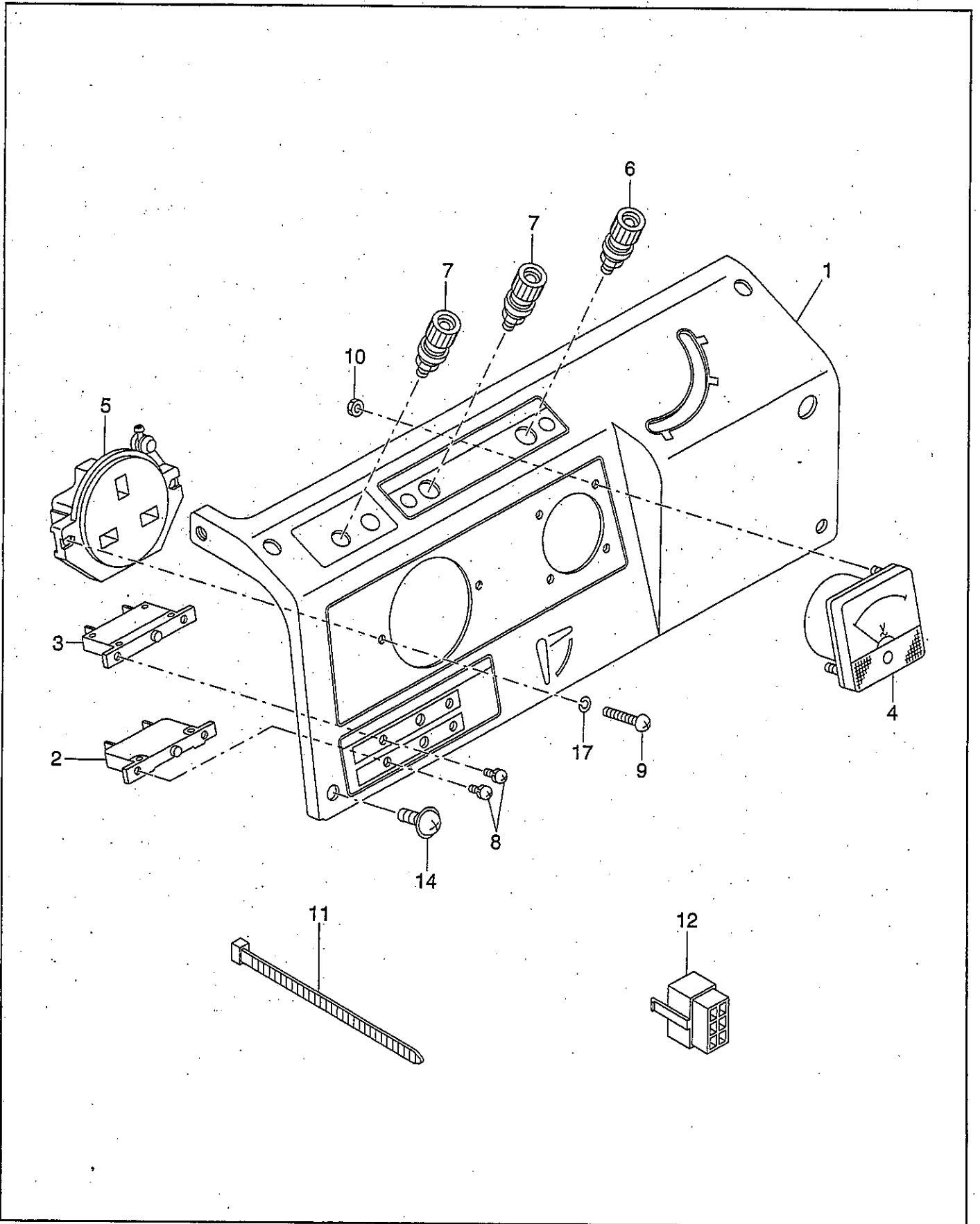


FIG.3 CONTROL PANEL (BF RECEPTACLE)

↯ Interchangeability

Ref. No.	Part Number	Description	Q'ty	Execution
1	350-43111-01	CONTROL PANEL, compl.	1	
2	352-45620-08	CIRCUIT BREAKER (10A) For DC	1	
3	376 42001 08	CIRCUIT BREAKER (3.15A)	1	
4	391-47902-01	AC VOLTMETER, compl. 200V CLASS	1	
5	358-40616-08	AC RECEPTACLE (250V-13A)	1	
6	363-45701-08	TERMINAL BOLT (Color : RED)	1	
7	363-45700-08	TERMINAL BOLT (Color : BLACK)	2	
8	004-35030-60	SCREW and WASHER ASS'Y	4	
9	350-49909-18	SCREW	2	
10	002-17030-00	NUT	2	
11	056-30000-20	WIRE BAND	3	
12	353-54300-08	CONNECTOR (6P)	1	
14	013-10500-20	SCREW and WASHER ASS'Y	4	
17	350-49911-08	SPRING WASHER	2	

FIG.4 FUEL TANK

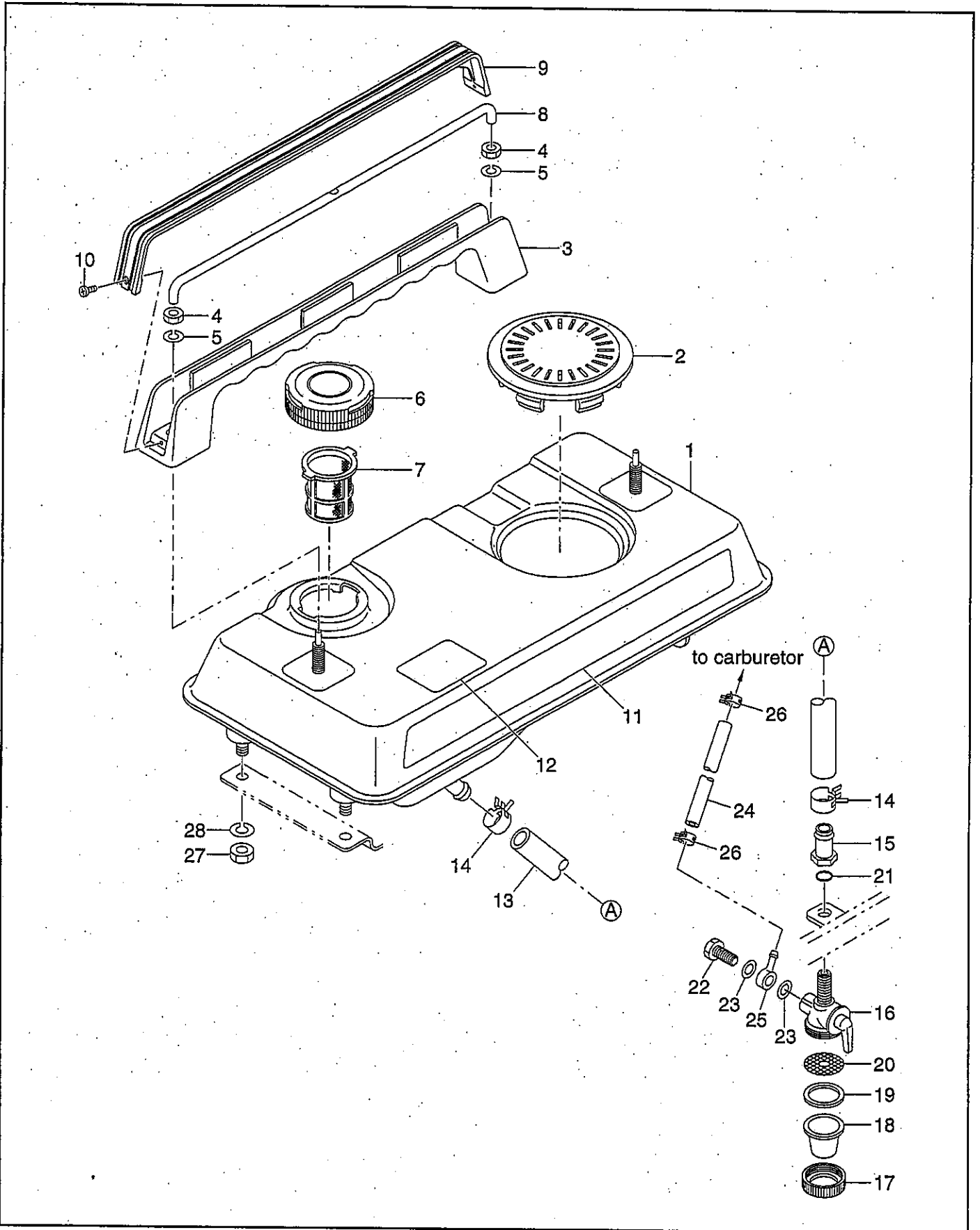


FIG.4 FUEL TANK

↵ Interchangeability

Ref. No.	Part Number	Description	Q'ty	Execution
1	350-60103-81	FUEL TANK, compl.	1	
2	227-66001-03	PLUG COVER	1	
3	350-65201-01	HANDLE	1	
4	002-18080-00	NUT	2	
5	003-20080-00	SPRING WASHER	2	
6	043-04300-41	FUEL TANK CAP, compl.	1	
7	064-13600-20	FUEL FILTER, compl.	1	
8	350-65501-03	BREATHER PIPE ($\phi 5 \times \phi 8 \times 360\text{mm}$)	1	
9	350-65401-13	HANDLE COVER	1	
10	004-31031-00	SCREW, pan head	2	
11	350-94102-03	LABEL, trade mark	1	
12	073-20026-31	LABEL (CAUTION)	1	
13	085-11100-00	RUBBER PIPE ($\phi 11.5 \times \phi 17 \times 135\text{mm}$)	1	
14	056-11700-10	HOSE CLAMP	2	
15	053-30900-20	NUT, joint	1	
*16	064-20049-02	FUEL STRAINER ASS'Y Includes items 17 thru 26	1	
17	064-20024-10	LOCK NUT, cup	1	
18	064-20019-10	CUP	1	
19	064-20002-30	PACKING	1	
20	064-20002-20	FILTER	1	
21	064-20003-30	O RING	1	
22	064-20002-40	BANJO BOLT	1	
23	064-20002-50	FIBER PACKING	2	
24	085-10600-00	RUBBER PIPE ($\phi 6 \times \phi 12 \times 140\text{mm}$)	1	
25	052-10700-42	BANJO	1	
26	056-11100-20	HOSE CLAMP	2	
27	002-18080-00	NUT	2	
28	003-20080-00	SPRING WASHER	2	

FIG.5 CRANKCASE GROUP

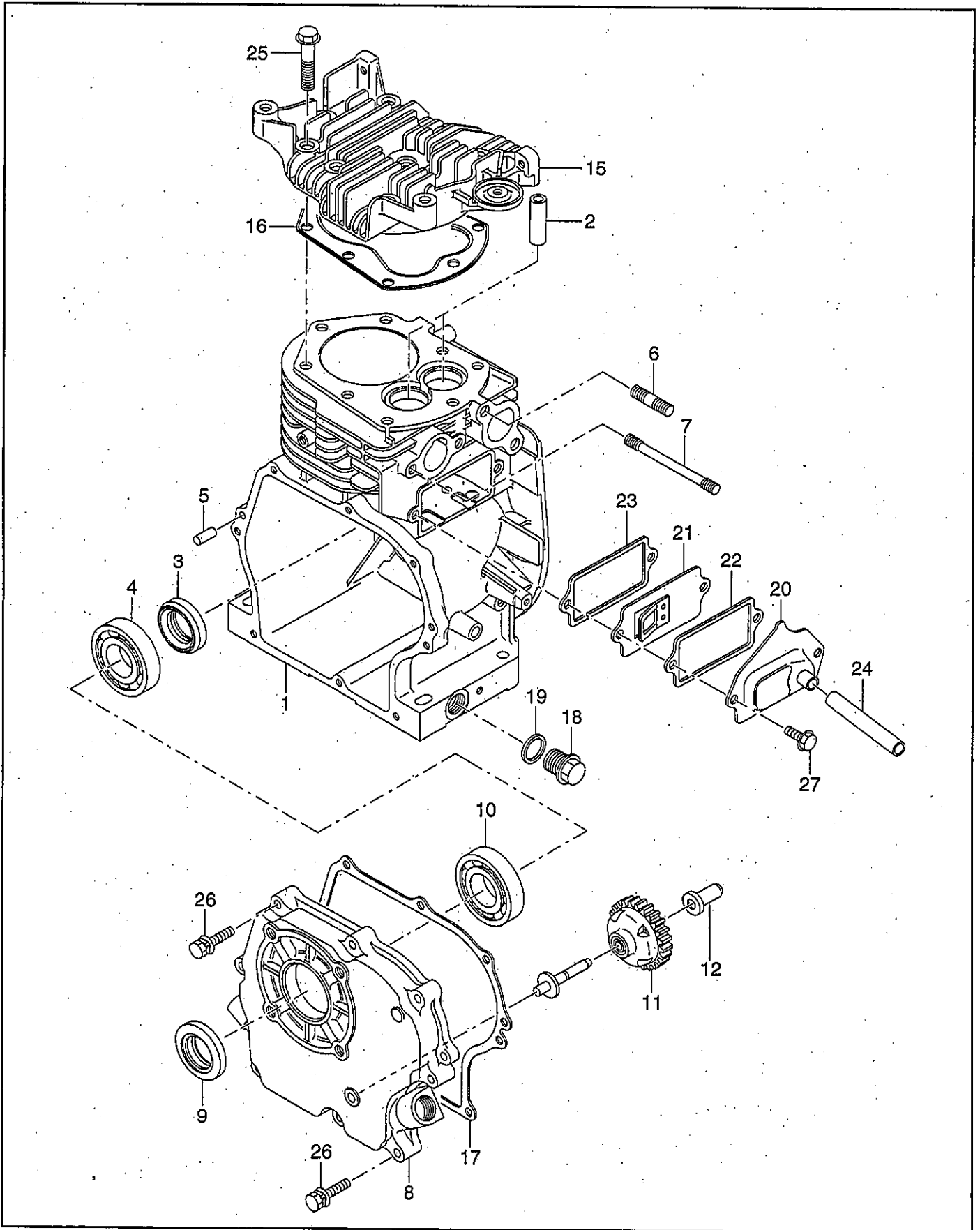


FIG.5 CRANKCASE GROUP

↙Interchangeability

Ref. No.	Part Number	Description	Q'ty	Execution
*1	226-10101-21	CRANKCASE, compl. Includes items 2 thru 7	1	
2	227-14202-03	VALVE GUIDE (over size)	2	
3	044-02501-50	OIL SEAL (TB- ϕ 25 \times ϕ 38 \times 7mm)	1	
4	060-02500-10	BALL BEARING (BB-6205C3)	1	
5	031-00600-20	DOWEL PIN	2	
6	010-50802-50	STUD, muffler	2	
7	010-50601-20	STUD, carburetor	2	
*8	227-11001-31	MAIN BEARING COVER, compl. Includes items 9 and 10	1 1	
9	044-02501-60	OIL SEAL (TB- ϕ 25 \times ϕ 41.24 \times 7mm)	1	
10	060-02500-10	BALL BEARING (BB-6205C3)	1	
11	227-45003-01	GOVERNOR GEAR, compl.	1	
12	205-41901-03	GOVERNOR SLEEVE	1	
15	226-13101-13	CYLINDER HEAD	1	
16	226-15001-11	GASKET, compl., head	1	
17	227-16001-03	GASKET, bearing cover	1	
18	040-11400-30	PLUG	2	
19	021-11400-20	GASKET	2	
20	227-14301-01	TAPPET COVER, compl.	1	
21	227-14401-01	BREATHER PLATE, compl.	1	
22	227-16006-03	GASKET, tappet cover	1	
23	227-16007-03	GASKET, breather plate	1	
24	085-10800-00	RUBBER PIPE (ϕ 8 \times ϕ 11 \times 75mm)	1	
25	011-00800-10	FLANGE BOLT	8	
26	013-00600-40	BOLT and WASHER ASS'Y	8	
27	011-00600-20	FLANGE BOLT	2	
*	226-99001-07	GASKET SET Includes items 16, 17, 22, 23 and Fig. 7-9, 17 and 18, Fig. 10-26	1	

FIG.6 CRANKSHAFT and PISTON GROUP

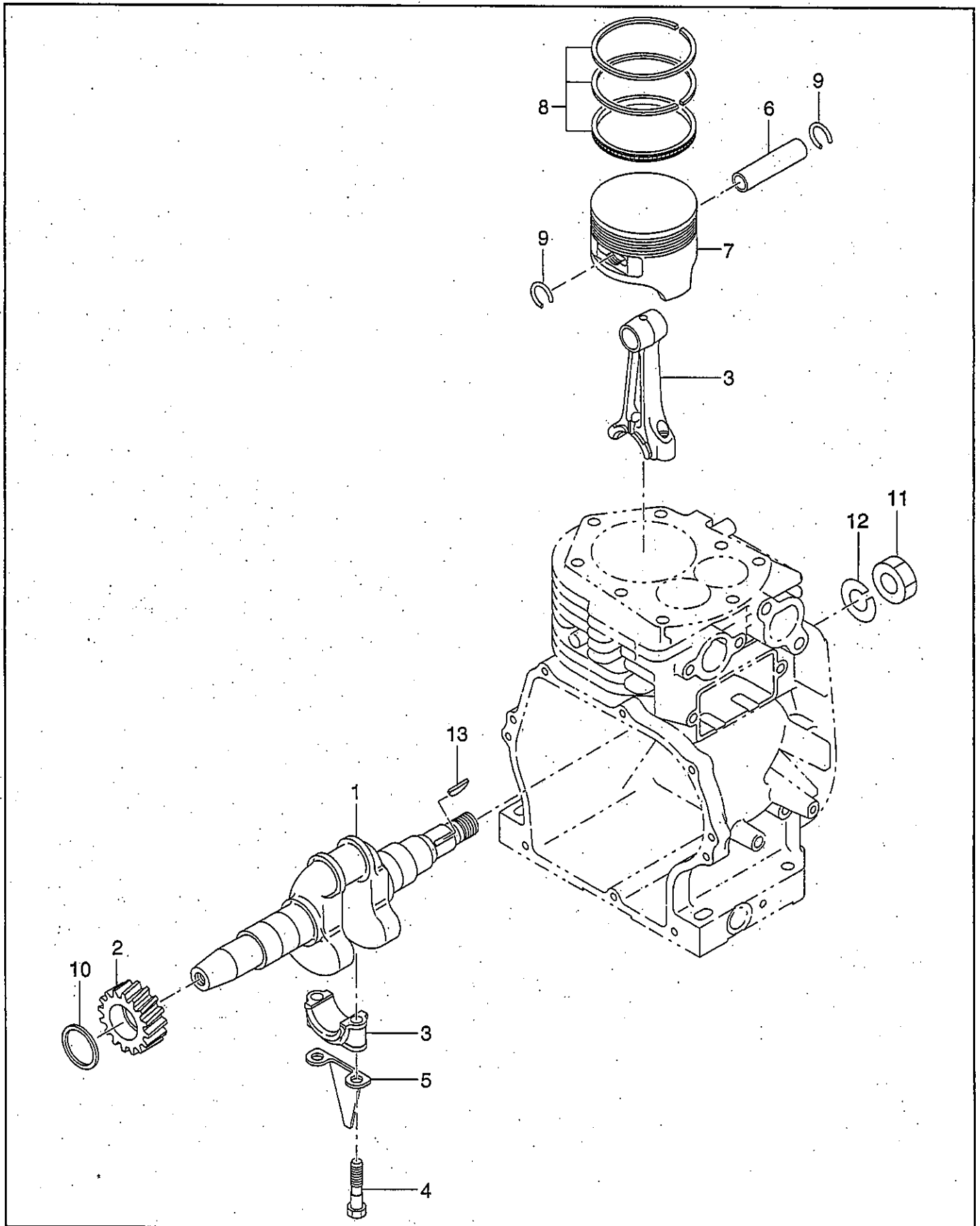


FIG.7 INTAKE and EXHAUST GROUP

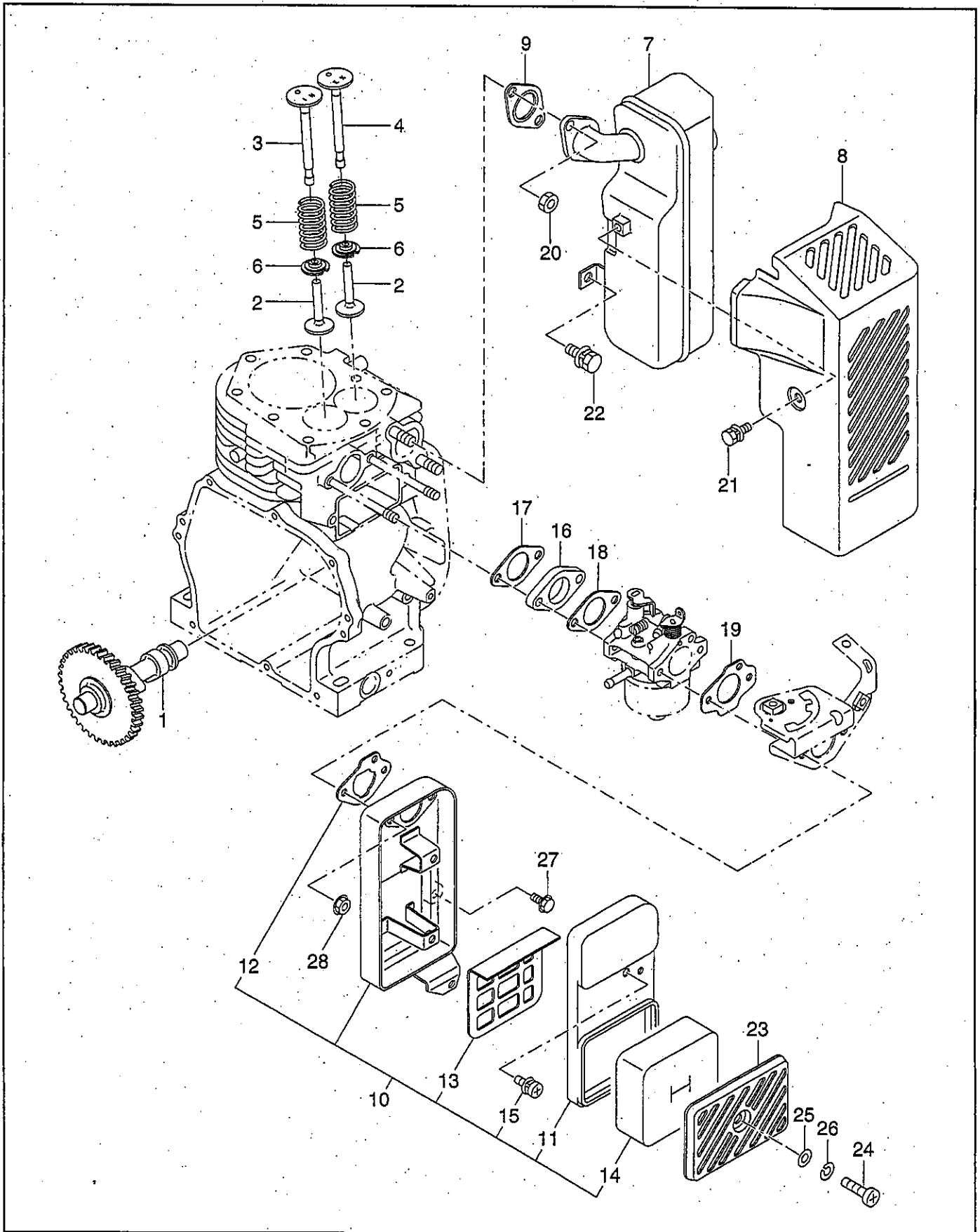


FIG.7 INTAKE and EXHAUST GROUP

↙Interchangeability

Ref. No.	Part Number	Description	Q'ty	Execution
1	226-31710-03	CAMSHAFT	1	
2	226-33301-03	TAPPET	2	
3	226-33401-03	INTAKE VALVE	1	
4	226-33501-13	EXHAUST VALVE	1	
5	227-33601-03	VALVE SPRING	2	
6	227-33701-03	SPRING RETAINER	2	
7	226-30301-21	MUFFLER, compl.	1	
8	226-34206-11	MUFFLER COVER, compl.	1	
9	226-35201-01	GASKET compl., exhaust	1	
*10	226-32636-00	AIR CLEANER ASS'Y Includes items 11 thru 15	1	
11	226-35010-11	CLEANER CASE, compl.	1	
12	227-36004-13	GASKET, air cleaner	1	
13	226-36003-03	ELEMENT RETAINER	1	
14	226-36004-03	ELEMENT	1	
15	004-35061-00	SCREW and WASHER ASS'Y	1	
16	227-32901-13	INSULATOR	1	
17	227-35901-03	GASKET, insulator	1	
18	227-35904-03	GASKET 2, insulator	1	
19	227-36003-13	GASKET, air cleaner	1	
20	002-19080-00	NUT	2	
21	011-00600-10	FLANGE BOLT	4	
22	013-50600-10	BOLT and WASHER ASS'Y	1	
23	226-35402-01	ELEMENT COVER	1	
24	014-10600-30	SCREW	1	
25	003-10060-00	WASHER	1	
26	003-20060-00	SPRING WASHER	1	
27	011-00600-30	FLANGE BOLT	1	
28	002-38060-00	FLANGE NUT	2	

FIG.8 GOVERNOR, OPERATION GROUP

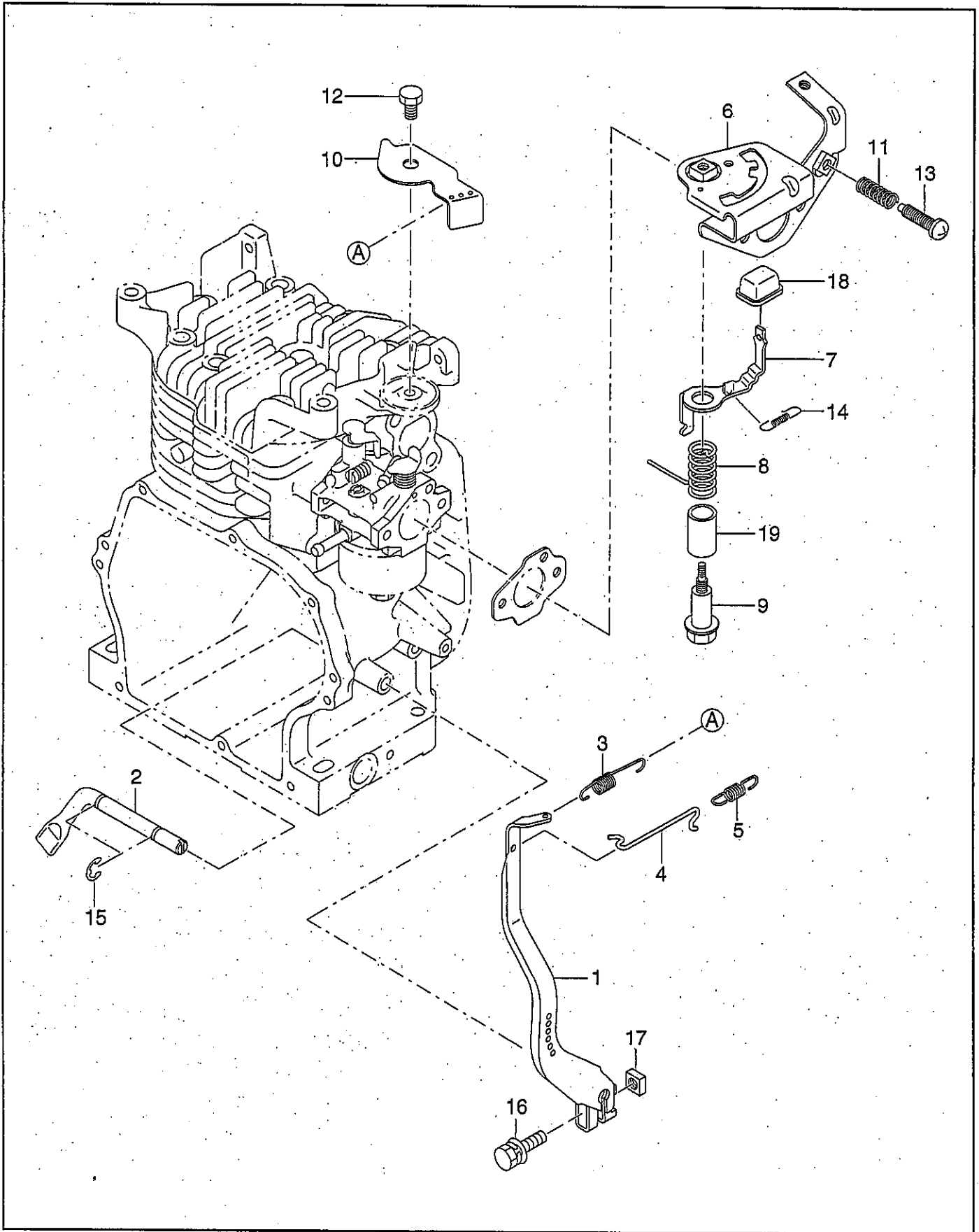


FIG.9 COOLING and STARTING GROUP

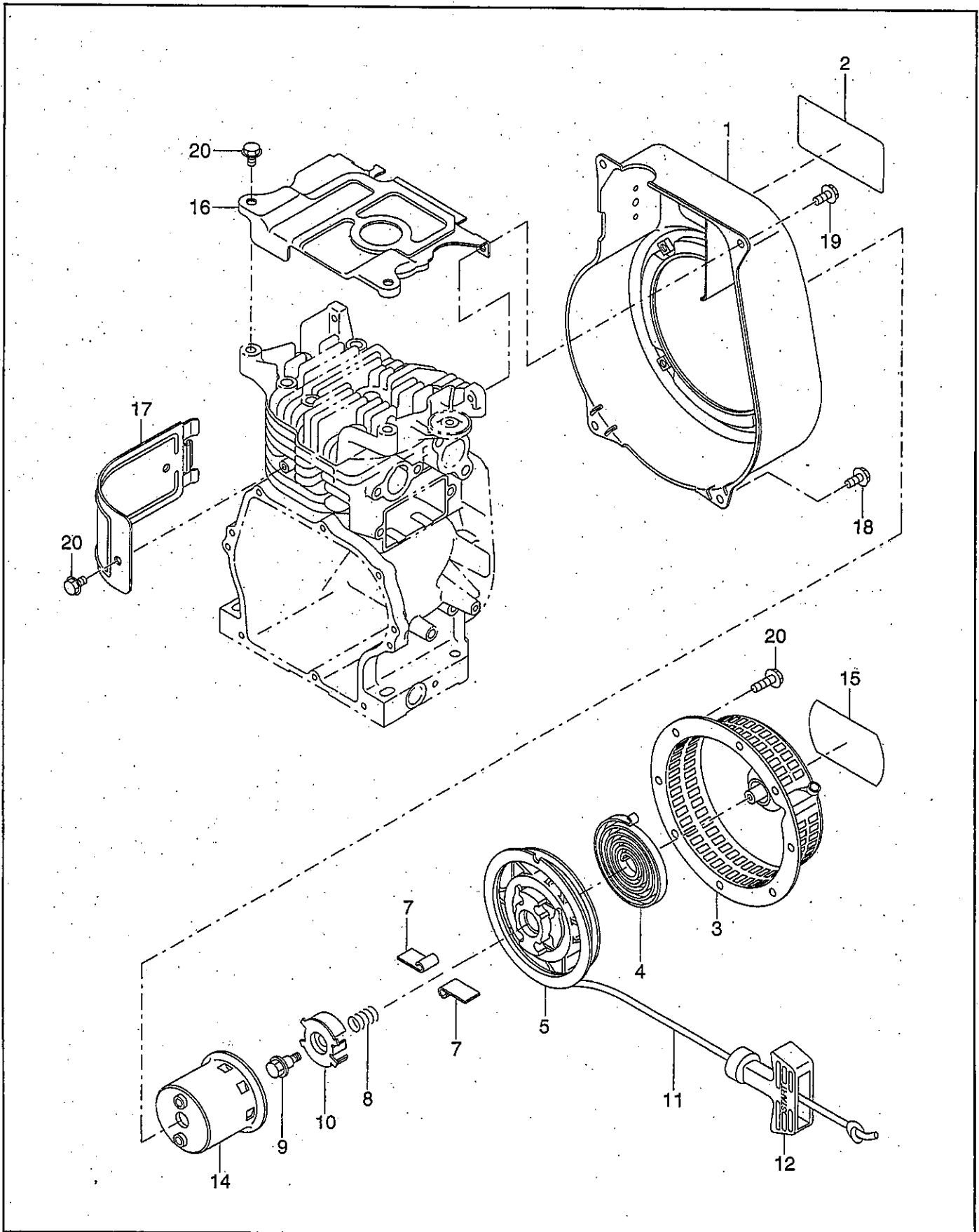


FIG.10 FUEL, LUBRICANT GROUP

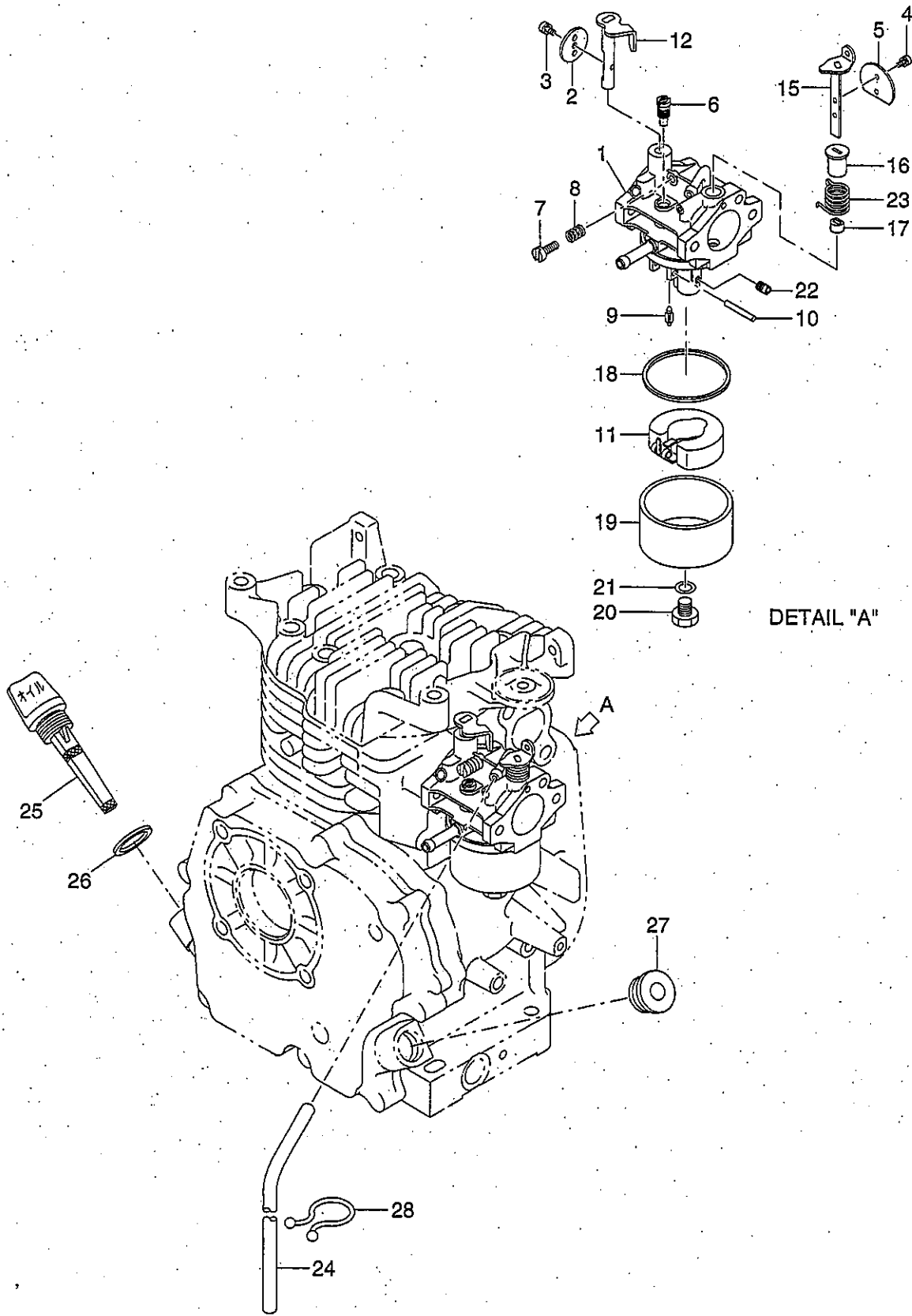


FIG.10 FUEL, LUBRICANT GROUP

↳ Interchangeability

Ref. No.	Part Number	Description	Q'ty	Execution
*1	226-62307-20	CARBURETOR ASS'Y Includes items 2 thru 12 and 15 thru 23	1	
2	214-62535-08	THROTTLE VALVE (#165)	1	
3	209-62351-08	SCREW	1	
4	237-62451-08	SCREW	2	
5	226-62525-08	CHOKE VALVE	1	
6	207-62420-08	PILOT JET (#40)	1	
7	209-62352-08	SCREW	1	
8	209-62445-08	SPRING	1	
9	226-62502-08	NEEDLE VALVE ASS'Y	1	
10	214-62515-08	FLOAT PIN	1	
11	226-62506-08	FLOAT ASS'Y	1	
12	226-62530-08	SHAFT ASS'Y, throttle	1	
15	226-62522-08	CHOKE LEVER	1	
16	226-62553-08	RING	1	
17	226-52550-08	RING	1	
18	214-62540-08	FLOAT CHAMBER PACKING	1	
19	227-62558-08	FLOAT CHAMBER BODY	1	
20	227-62451-08	BOLT	1	
21	214-62450-08	PACKING	1	
22	226-62403-08	MAIN JET (#70)	1	
23	226-62540-08	SPRING	1	
24	085-10400-00	RUBBER PIPE (φ4 × φ7 × 230mm)	1	
25	269-63601-03	OIL GAUGE	1	
26	021-31600-20	GASKET	1	
27	042-01800-10	PLUG, rubber	1	
28	217-75002-03	PURSE LOCK B	1	

FIG.11 ELECTRIC DEVICE GROUP

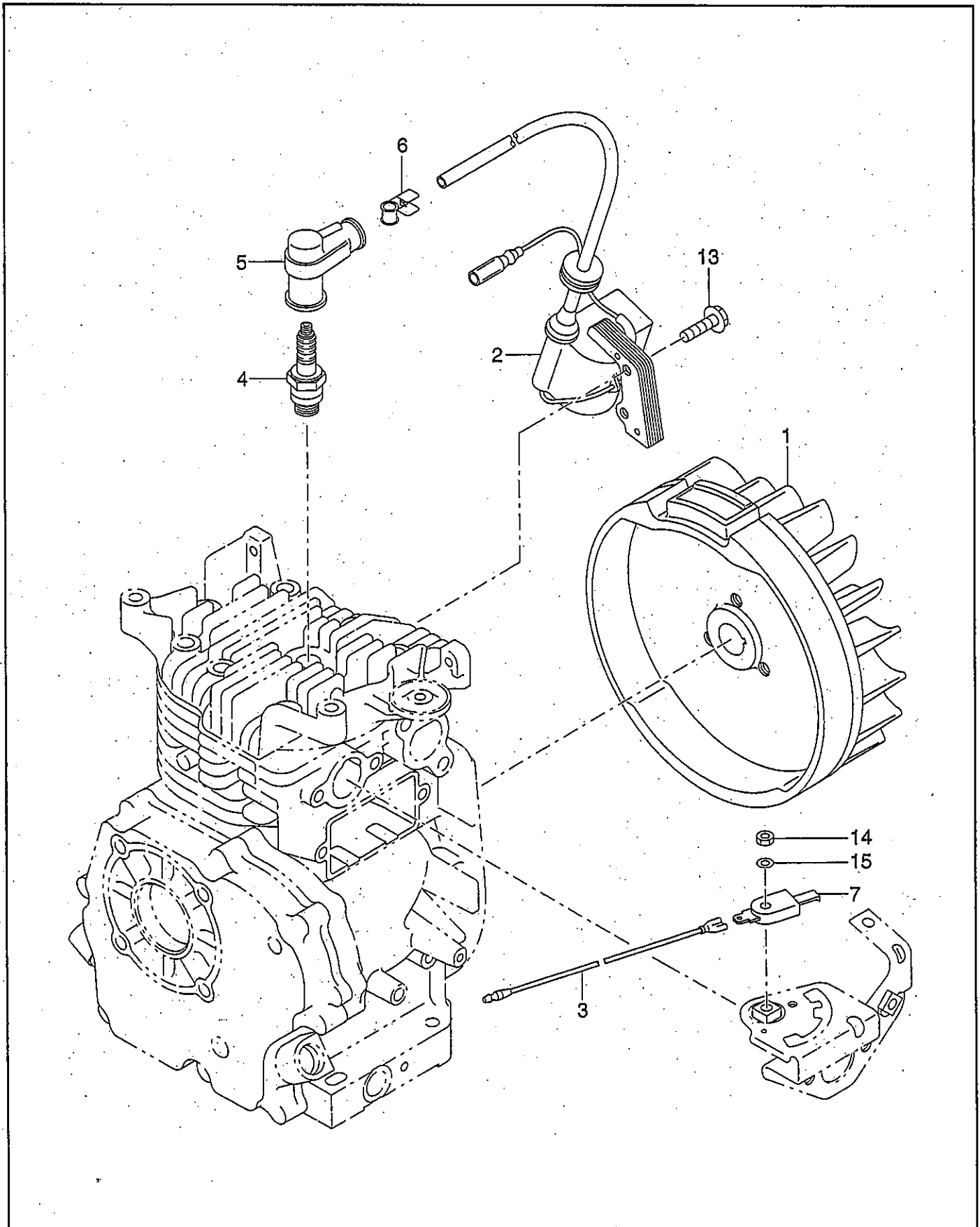


FIG.12 ACCESSORIES GROUP

