



Robin Generator

Model RG2800DX
For USA
PARTS CATALOG

Spec. No. RGC28023010
(E/G Spec. No. EX170D20320)

富士重工業株式会社
FUJI HEAVY INDUSTRIES LTD.

ISSUE EMD-GP6027	
ISSUE DATE	2004.05

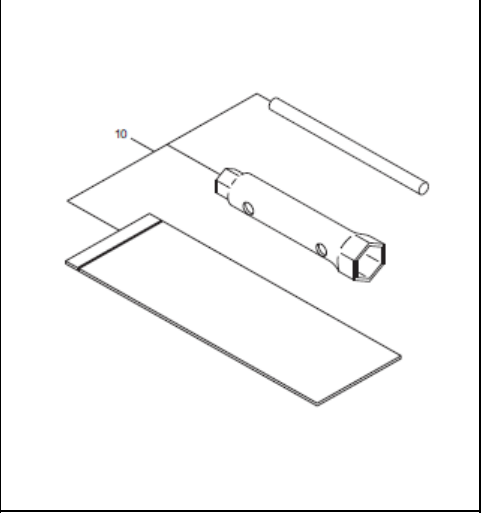
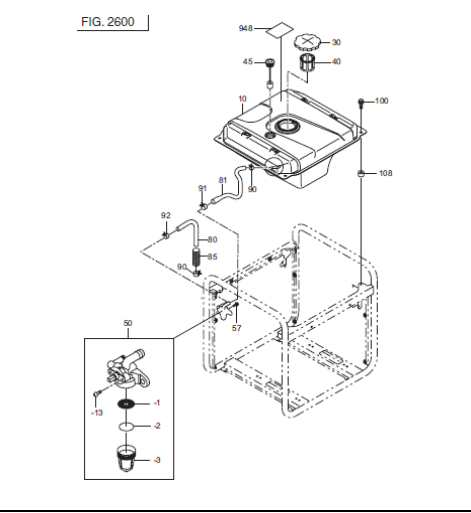
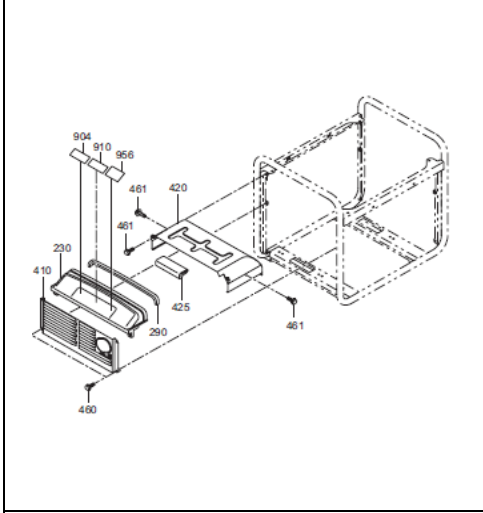
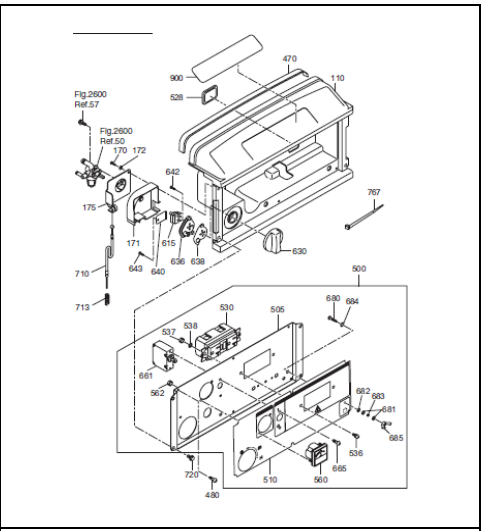
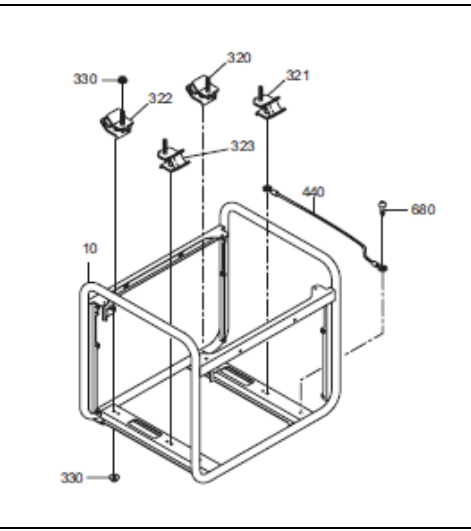
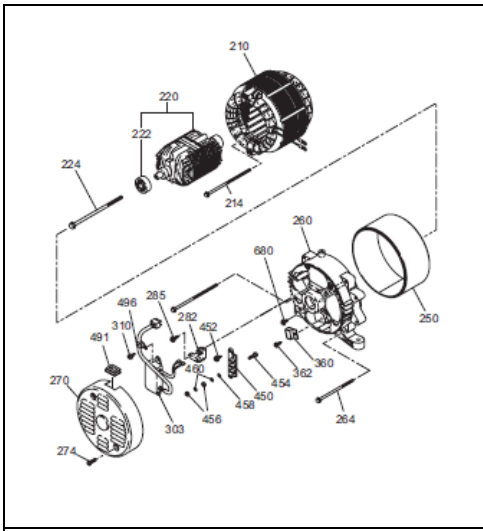
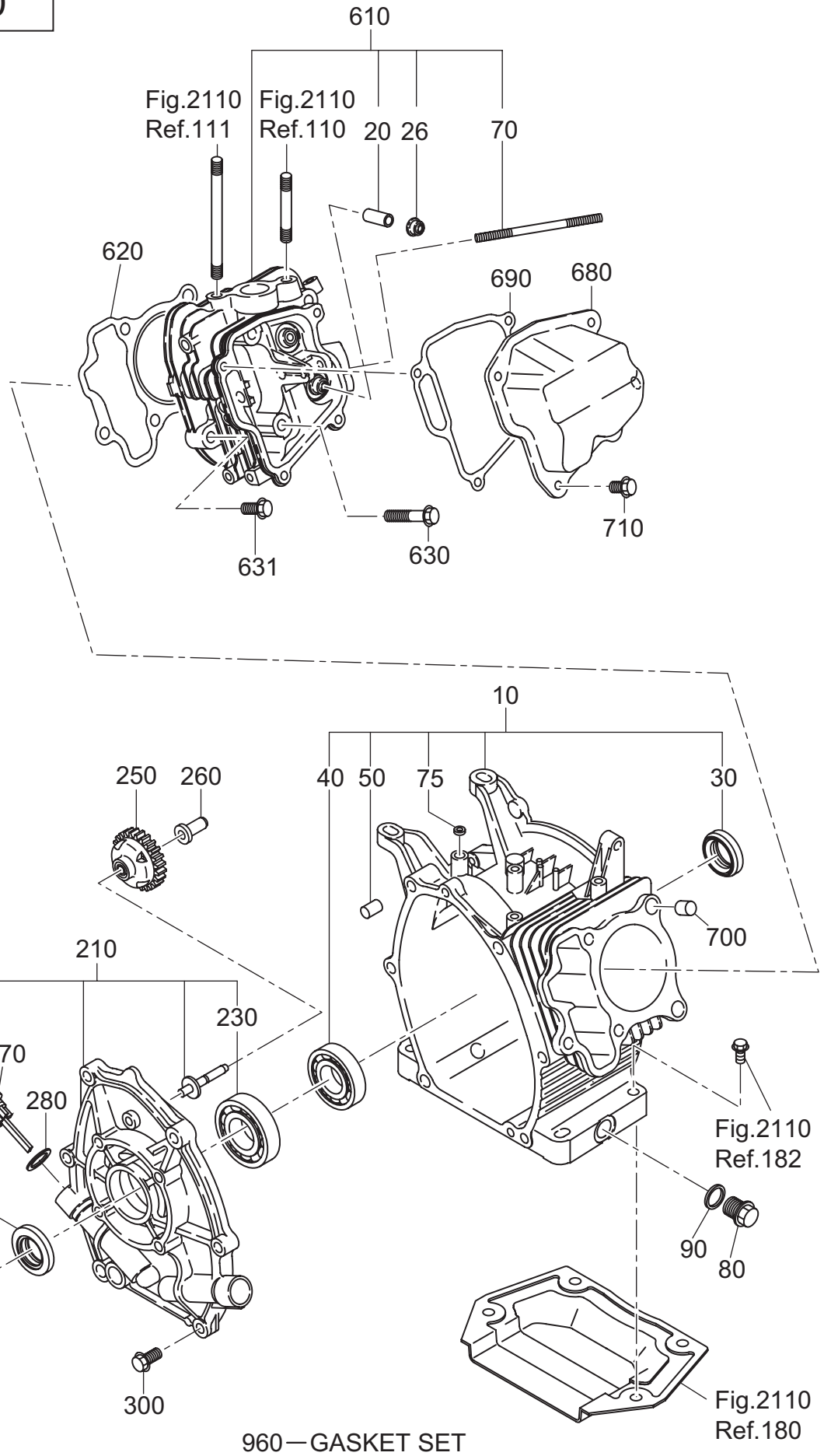


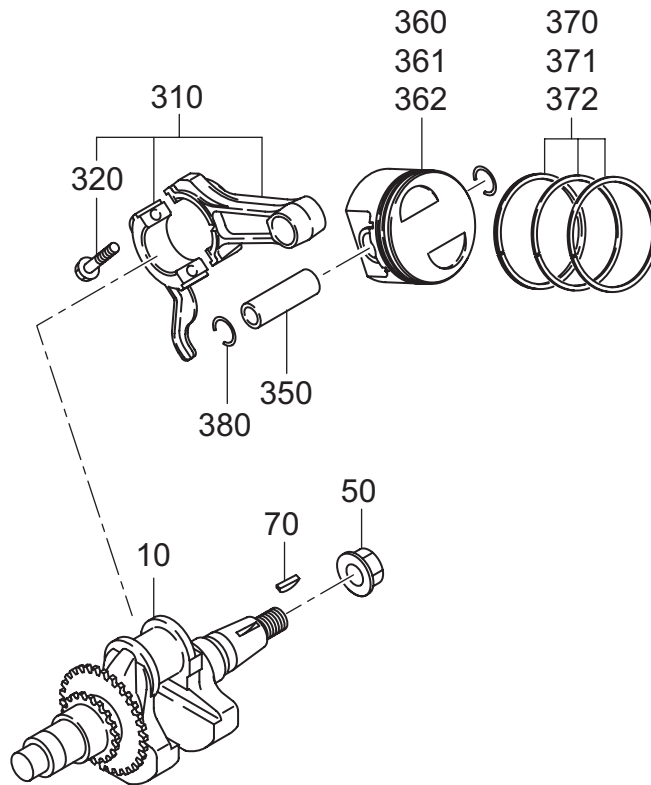
FIG. 100



1 CRANK CASE

REF.	PARTS NUMBER	PARTS NAME	QTY	REMARKS	CODE NO. FROM-TO	INTERCHANGEABLE PART NUMBER	UNIT PRICE	FIG.
10	277-10102-41	CRANK CASE CP	1		-			100
20	237-14202-03	VALVE GUIDE	2	O.S.	-			100
26	277-16010-01	STEM SEAL	1		-			100
30	044-02502-00	OIL SEAL	1		-			100
40	060-02800-21	BALL BEARING	1		-			100
50	277-15011-03	PIPE KNOCK	2		-			100
70	010-50603-51	STUD	2	6DX98L	-			100
75	044-00600-20	OIL SEAL	1		-			100
80	040-11400-30	PLUG	2		-			100
90	021-11400-20	GASKET	2		-			100
210	277-11001-31	MAIN BEARING COVER C	1		-			100
220	044-02502-10	OIL SEAL	1		-			100
230	060-02501-40	BALL BEARING	1		-			100
250	277-45004-H1	GOVERNOR GEAR CP	1		-			100
260	277-41901-03	GOVERNOR SLEEVE	1		-			100
270	277-63601-13	OIL GAUGE	2		-			100
280	021-31600-20	GASKET	2		-			100
300	001-04083-50	FLANGE BOLT	6		-			100
610	277-13005-01	CYLINDER HEAD CP	1		-			100
620	277-15001-23	GASKET (HEAD)	1		-			100
630	011-00802-40	FLANGE BOLT	4	M8X68L	-			100
631	011-00803-10	FLANGE BOLT	1	M8X33L	-			100
680	277-15501-01	ROCKER COVER CP	1		-			100
690	277-16001-13	GASKET (ROCKER COVER)	1		-			100
700	277-15011-03	PIPE KNOCK	2		-			100
710	011-00600-20	FLANGE BOLT	4	M6X12L	-			100
960	277-99001-27	GASKET SET	1		-			100

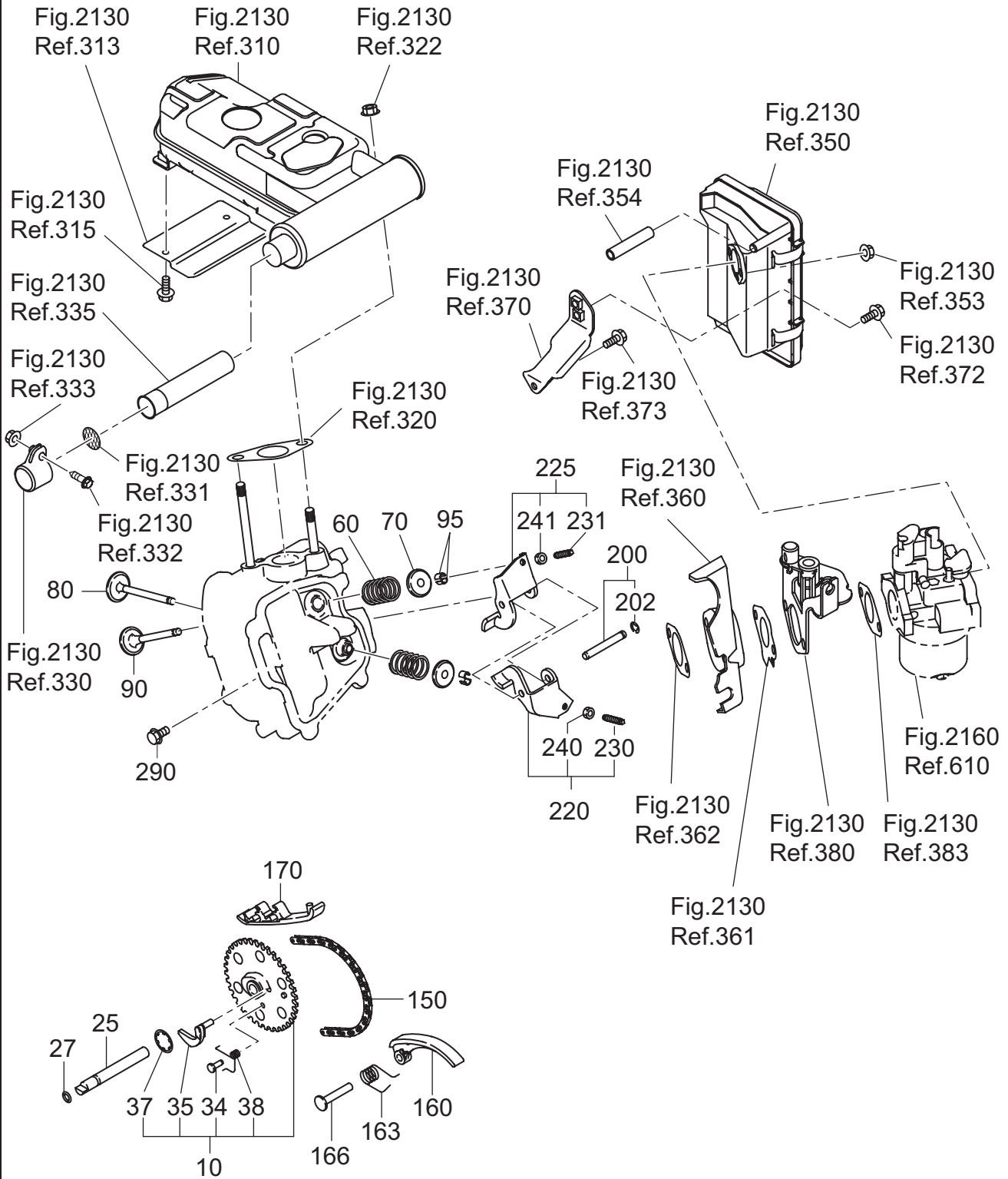
FIG. 200



2 CRANKSHAFT, PISTON

REF.	PARTS NUMBER	PARTS NAME	QTY	REMARKS	CODE NO. FROM-TO	INTERCHANGEABLE PART NUMBER	UNIT PRICE	FIG.
10	277-20501-01	CRANKSHAFT CP	1		-			200
50	018-01400-20	FLANGE NUT	1		-			200
70	032-30300-10	WOODRUFF KEY	1	3X6 (D16)	-			200
310	277-22501-10	CONNECTING ROD AY	1		-			200
320	277-23001-03	CONNECTING ROD BOLT	2	M6	-			200
350	277-23301-03	PISTON PIN	1		-			200
360	277-23401-03	PISTON	1	STD. (67DX40H)	-			200
361	277-23403-03	PISTON	1	0.25 O. S. (67DX40H)	-			200
362	277-23404-03	PISTON	1	0.50 O. S. (67DX40H)	-			200
370	277-23501-17	PISTON RING SET	1	STD OIL 3 PIECES	-			200
371	277-23502-17	PISTON RING SET	1	0.25 O. S. OIL 3PIECE	-			200
372	277-23503-17	PISTON RING SET	1	0.50 O. S. OIL 3PIECE	-			200
380	056-51600-10	CLIP	2	D=1.4	-			200

FIG. 300



3 INTAKE, EXHAUST

REF.	PARTS NUMBER	PARTS NAME	QTY	REMARKS	CODE NO. FROM-TO	INTERCHANGEABLE PART NUMBER	UNIT PRICE	FIG.
10	278-31601-11	CAM SHAFT CP	1		-			300
25	277-35101-03	PIN (CAM SHAFT)	1		-			300
27	024-00600-10	O RING	1		-			300
34	277-38601-03	PIN (SPRING)	1		-			300
35	277-36401-03	RELEASE LEVER	1		-			300
37	277-36501-03	CLIP	1		-			300
38	279-38701-13	RETURN SPRING	1		-			300
60	279-33601-03	VALVE SPRING	2		-			300
70	269-33701-03	SPRING RETAINER	2		-			300
80	277-33401-H3	INTAKE VALVE	1		-			300
90	277-33501-H3	EXHAUST VALVE	1		-			300
95	132-10KA0-31	COLLET-VALVE	4		-			300
150	277-35601-11	TIMING CHAIN CP	1		-			300
160	277-36911-03	TENTIONER	1		-			300
163	277-37101-03	SPRING (TENTIONER)	1		-			300
166	277-36902-03	PIN (TENTIONER)	1		-			300
170	277-36913-13	CHAIN GUIDE	1		-			300
200	277-35002-01	PIN (ROCKER) CP	1		-			300
202	003-13050-00	CLIP	1		-			300
220	277-36201-00	ROCKER ARM (IN) AY	1		-			300
225	277-36202-00	ROCKER ARM (EX) AY	1		-			300
230	014-90500-20	ADJUST SCREW	1	M5	-			300
231	014-90500-20	ADJUST SCREW	1	M5	-			300
240	017-00500-30	NUT	1	M5	-			300
241	017-00500-30	NUT	1	M5	-			300
290	011-00600-20	FLANGE BOLT	1	M6X12L	-			300

FIG. 400

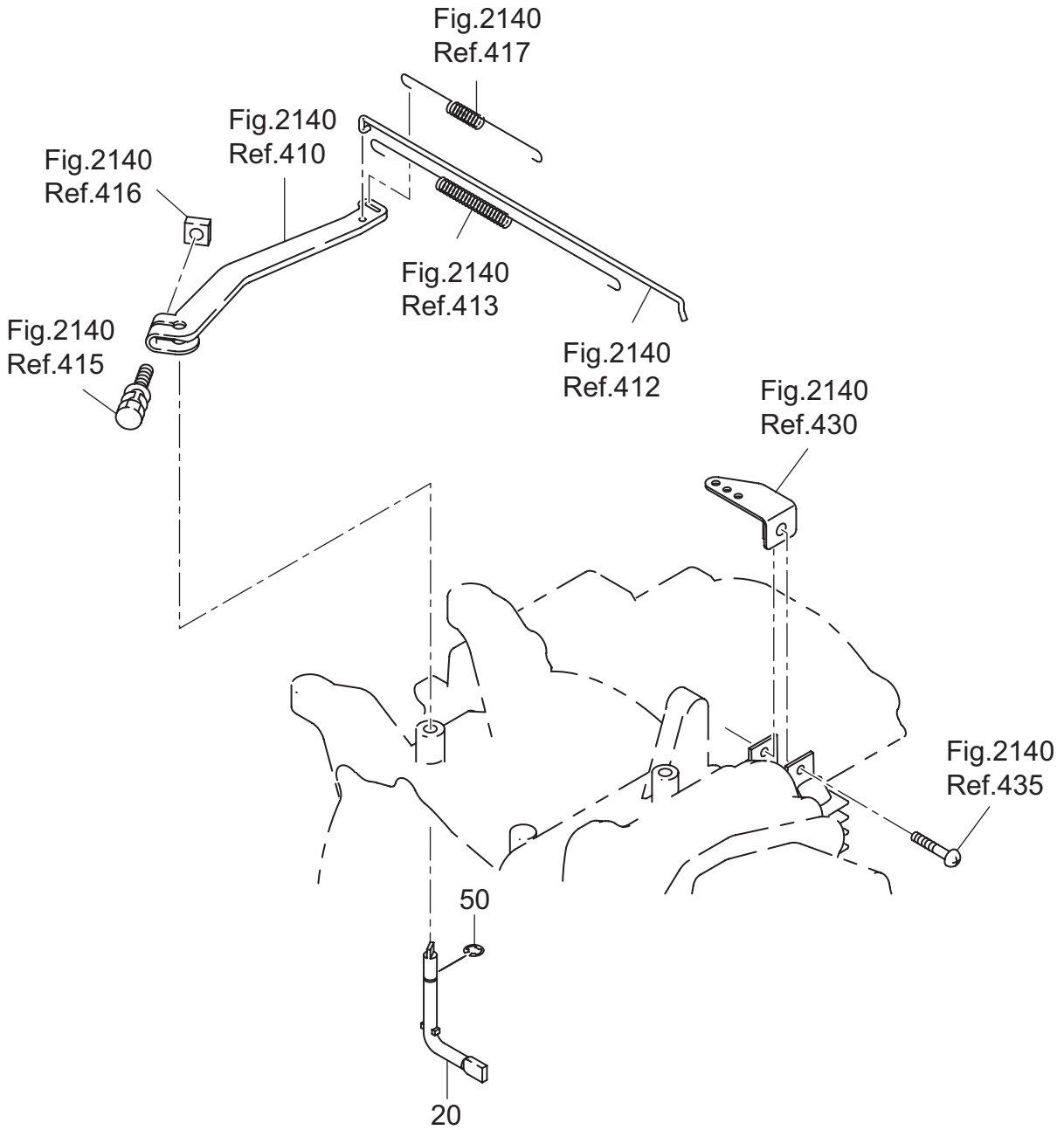


FIG. 500

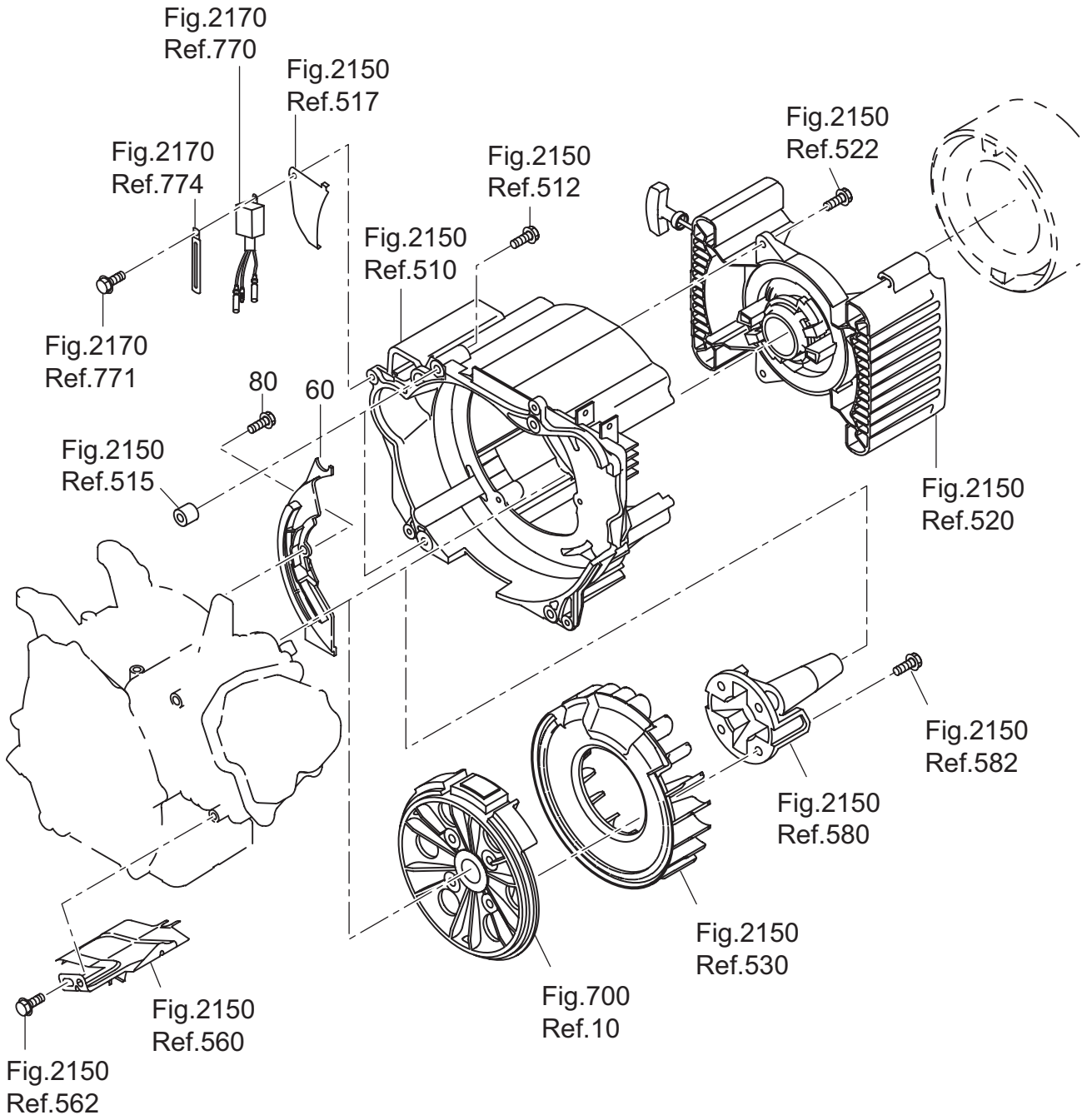


FIG. 700

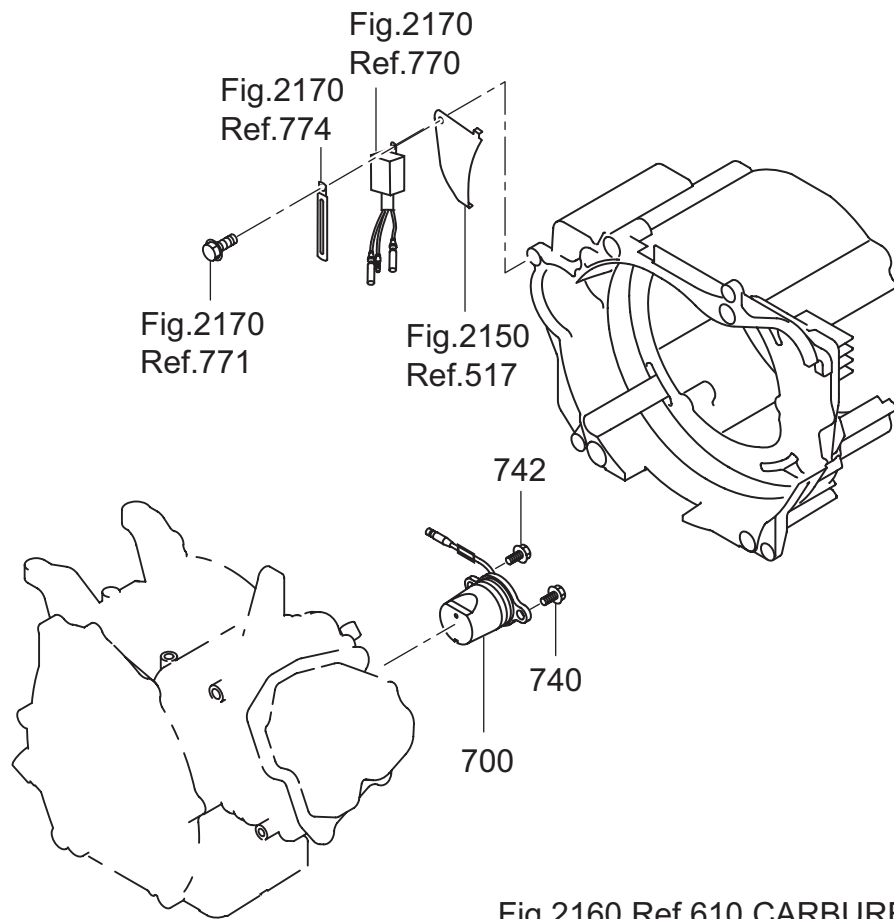
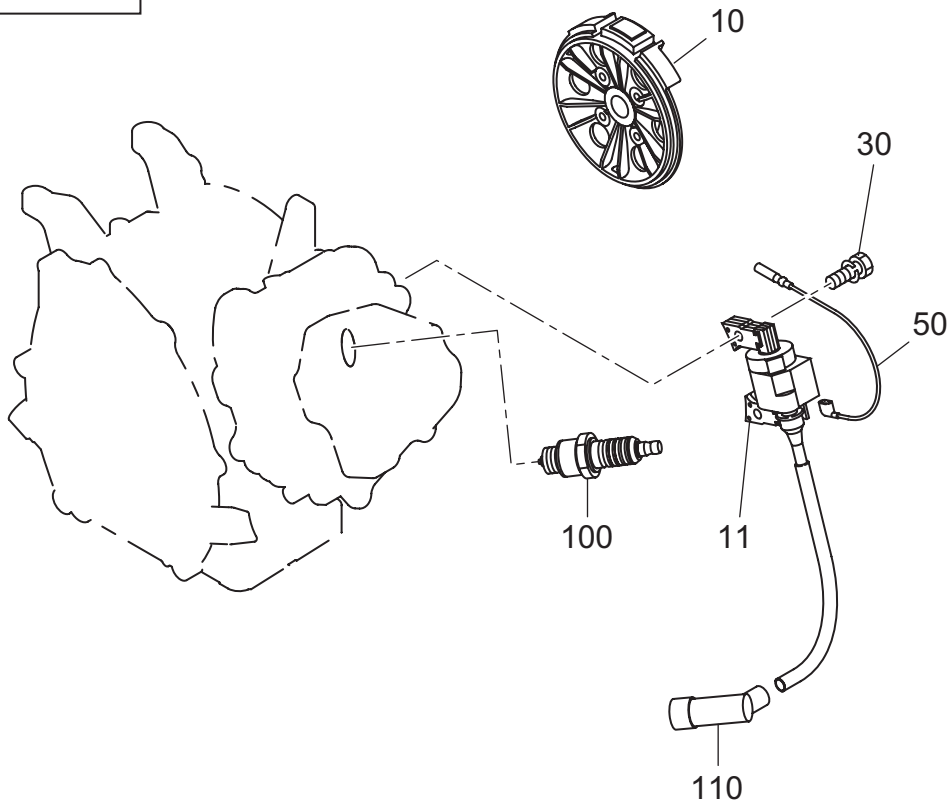


Fig.2160 Ref.610 CARBURETOR AY

7 ELECTRIC DEVICE

REF.	PARTS NUMBER	PARTS NAME	QTY	REMARKS	CODE NO. FROM-TO	INTERCHANGEABLE PART NUMBER	UNIT PRICE	FIG.
10	277-79232-01	FLYWHEEL CP	1		-			700
11	277-79431-01	IGNITION COIL CP	1		-			700
30	001-14062-50	BOLT AND WASHER AY	2		-			700
50	277-73102-H1	WIRE 2 CP	1		-			700
100	065-01401-50	SPARK PLUG	1		-			700
110	065-50002-70	SPARK PLUG CAP	1		-			700
700	277-76301-11	OIL SENSOR CP	1		-			700
740	001-14061-60	BOLT AND WASHER AY	1		-			700
742	013-00602-60	BOLT AND WASHER AY	1		-			700

FIG. 2110

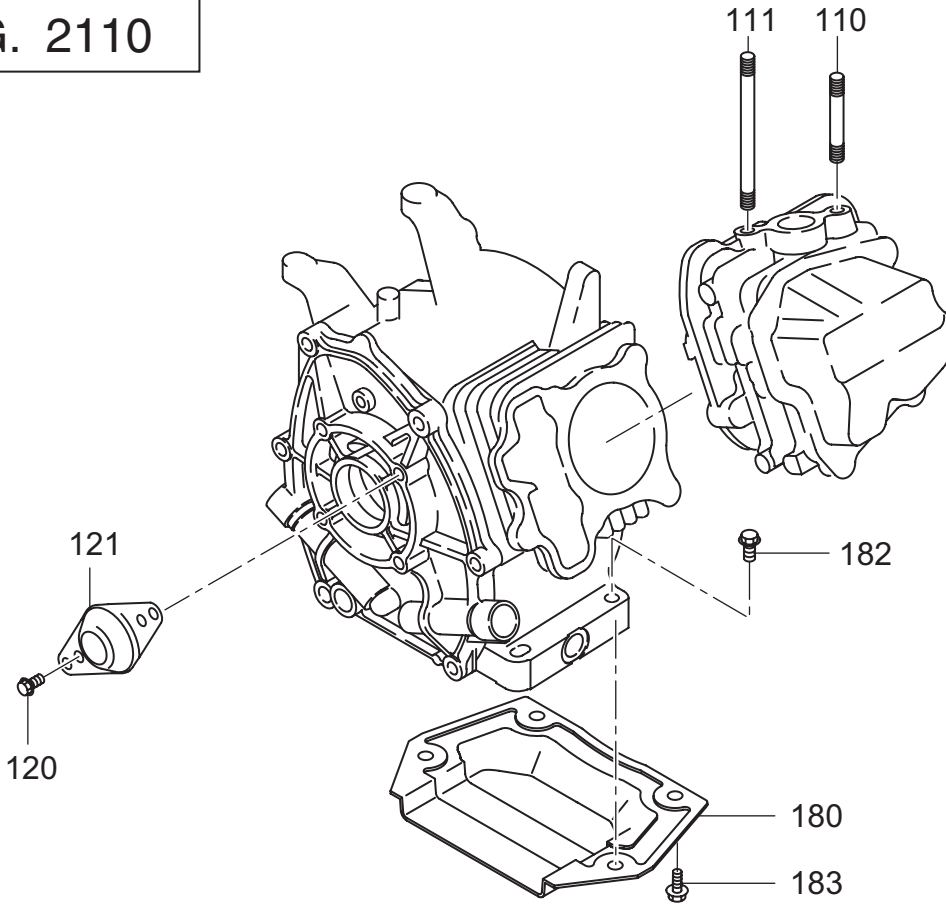


FIG. 2130

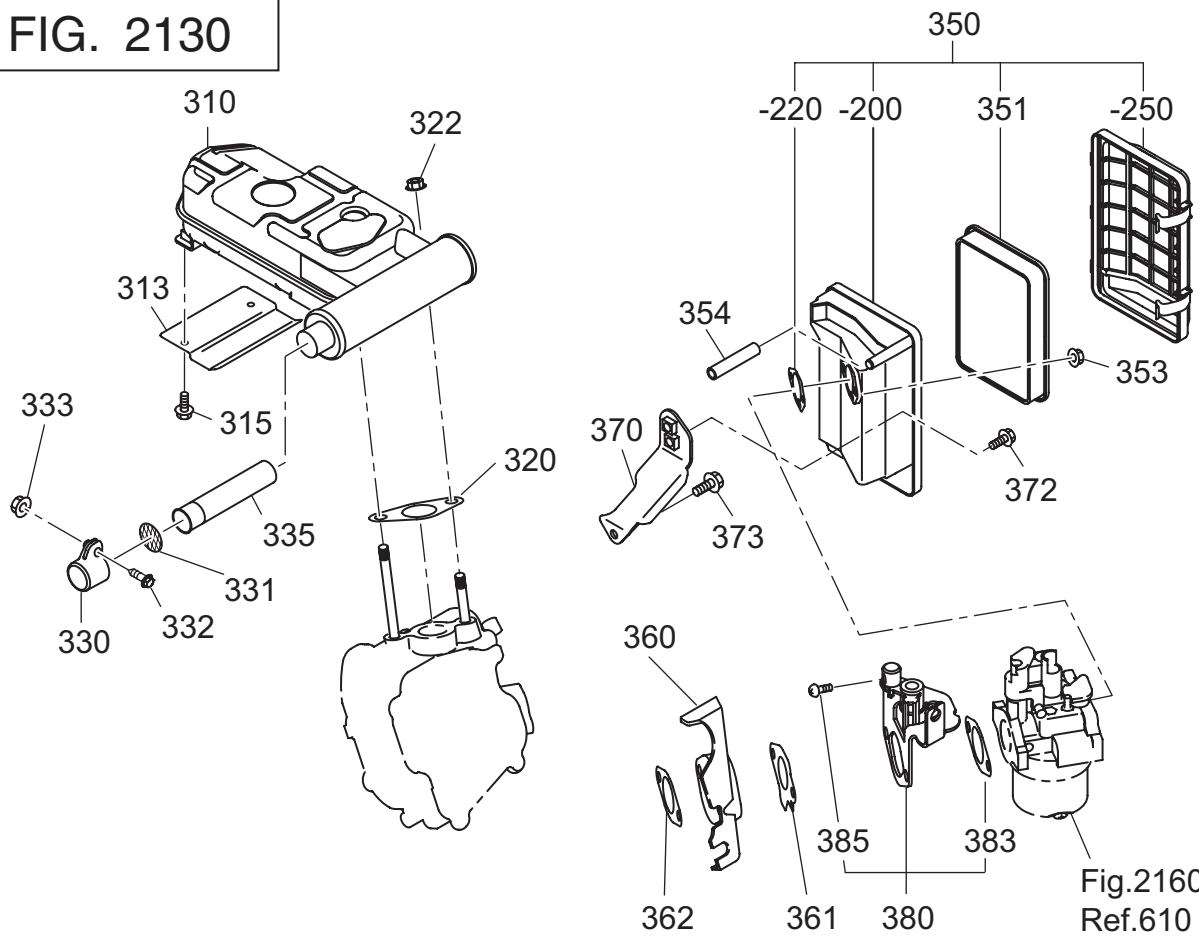


Fig.2160
Ref.610

FIG. 2140

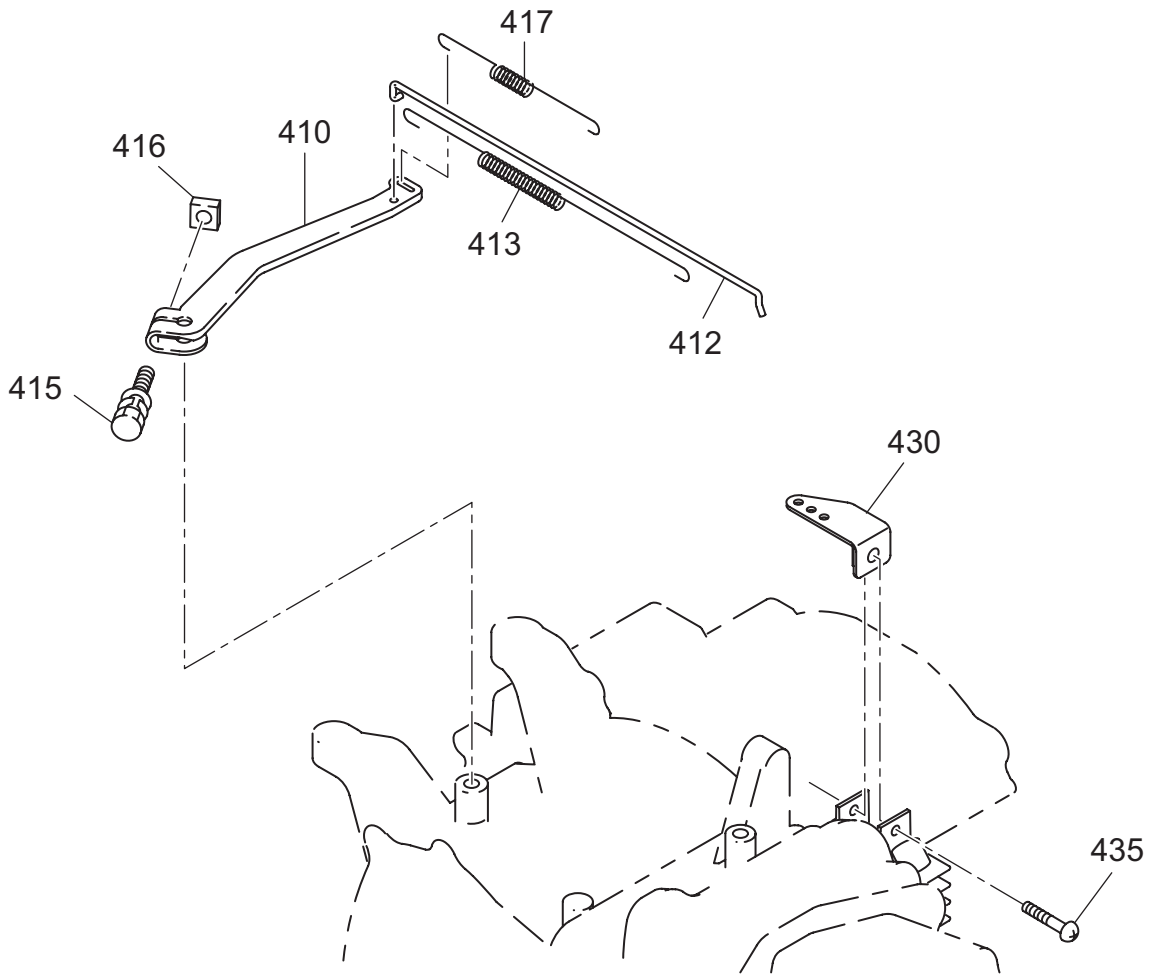


FIG. 2150

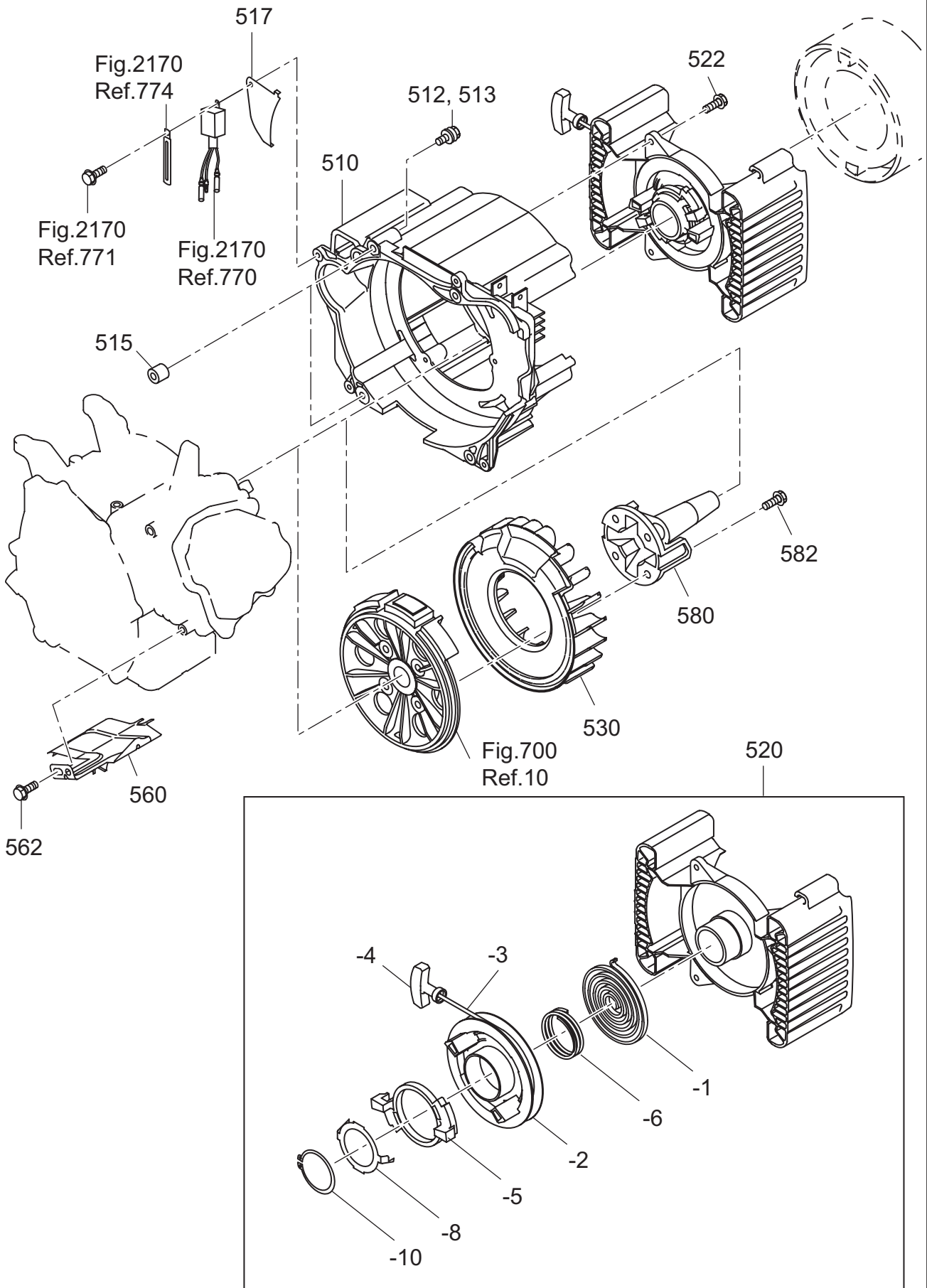


FIG. 2160

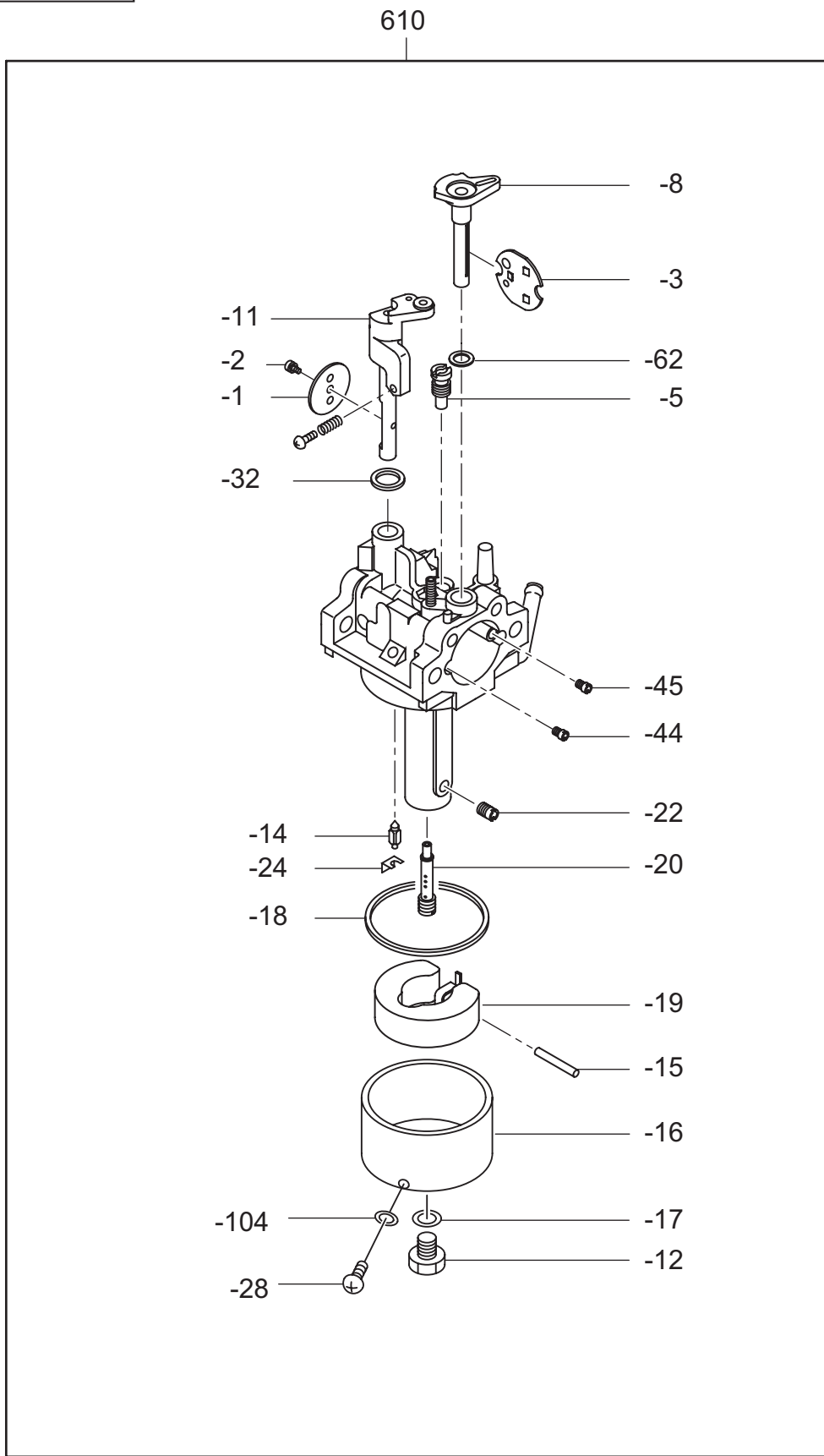
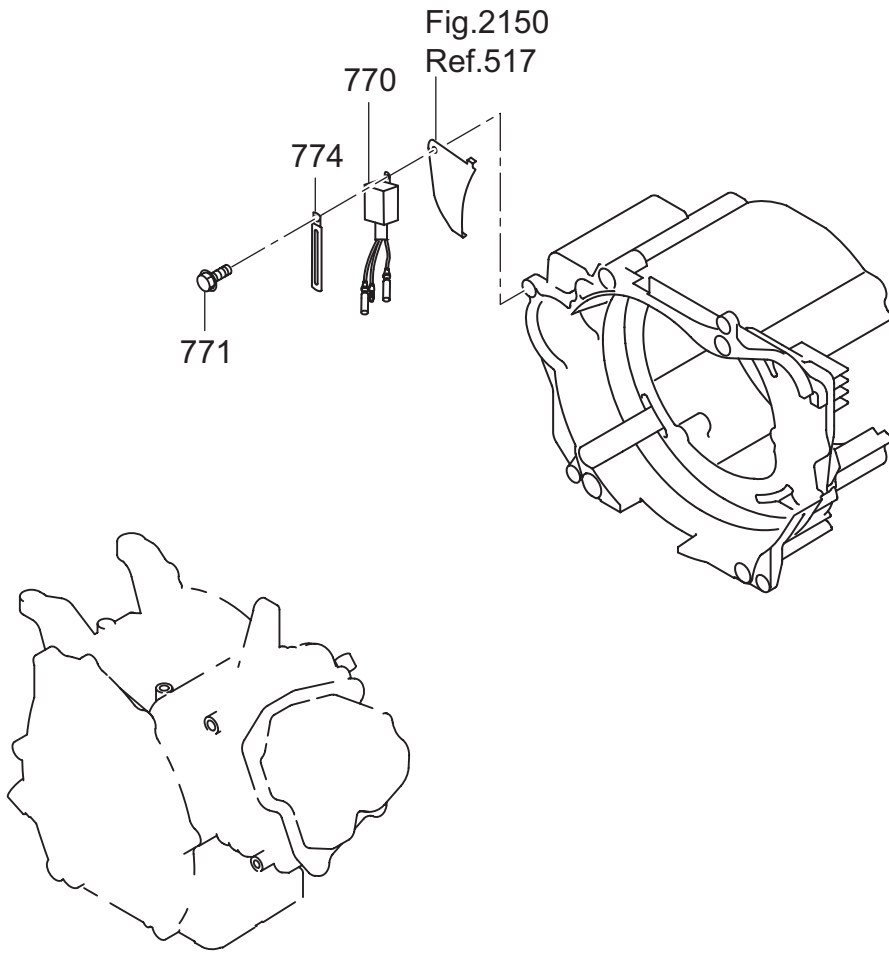


FIG. 2170



2 1 ENGINE

REF.	PARTS NUMBER	PARTS NAME	QTY	REMARKS	CODE NO. FROM-TO	INTERCHANGEABLE PART NUMBER	UNIT PRICE	FIG.
110	010-50802-90	STUD	1		-			2110
111	010-50805-10	STUD	1	M8X112L	-			2110
120	011-00801-50	FLANGE BOLT	2	M8X12L	-			2110
121	277-87001-03	COVER (CRANK SHAFT)	1		-			2110
180	33B-35001-01	BOTTOM EXT. PLATE CP	1		-			2110
182	011-00802-70	FLANGE BOLT	2	M8X33L	-			2110
183	011-00801-50	FLANGE BOLT	2	M8X12L	-			2110
310	277-30402-01	MUFFLER CP	1		-			2130
313	33B-52601-03	BAFFLE	1		-			2130
315	011-00601-60	FLANGE BOLT	2	M6X23L	-			2130
320	277-35201-13	GASKET (MUFFLER)	1		-			2130
322	980-20082-80	FLANGE NUT	2	M8	-			2130
330	277-37210-03	TAIL SCREEN COVER	1		-			2130
331	277-37220-03	SCREEN	1		-			2130
332	004-35051-60	SCREW AND WASHER AY	1		-			2130
333	002-18050-00	NUT	1		-			2130
335	279-37603-01	SPARK ARESTER CP	1		-			2130
350	277-32622-20	AIR CLEANER AY	1		-			2130
-200	277-32632-08	BASE CP	1		-			2130
-220	277-32604-08	PACKING	1		-			2130
-250	277-32643-18	COVER CP	1		-			2130
351	277-32661-17	ELEMENT SET	1		-			2130
353	002-38060-00	FLANGE NUT	2		-			2130
354	085-10800-00	RUBBER PIPE	1	8DX11D	-			2130
360	277-32902-H3	INSULATOR	1		-			2130
361	277-35902-H3	GASKET 1 (INSULATOR)	1		-			2130
362	277-35903-H3	GASKET 2 (INSULATOR)	1		-			2130
370	277-39004-01	BRACKET (A/C) 1 CP	1		-			2130
372	011-00600-50	FLANGE BOLT	1	M6X20L	-			2130
373	011-00601-50	FLANGE BOLT	1	M6X10L	-			2130
380	277-47101-10	CHOKE BRACKET AY	1		-			2130
383	277-46701-03	GASKET (CHOKE)	1		-			2130
385	004-31040-80	SCREW	1	M4X8L	-			2130
410	277-42301-23	GOVERNOR LEVER	1		-			2140
412	277-42701-01	GOVERNOR ROD CP	1		-			2140
413	277-42801-13	ROD SPRING	1		-			2140

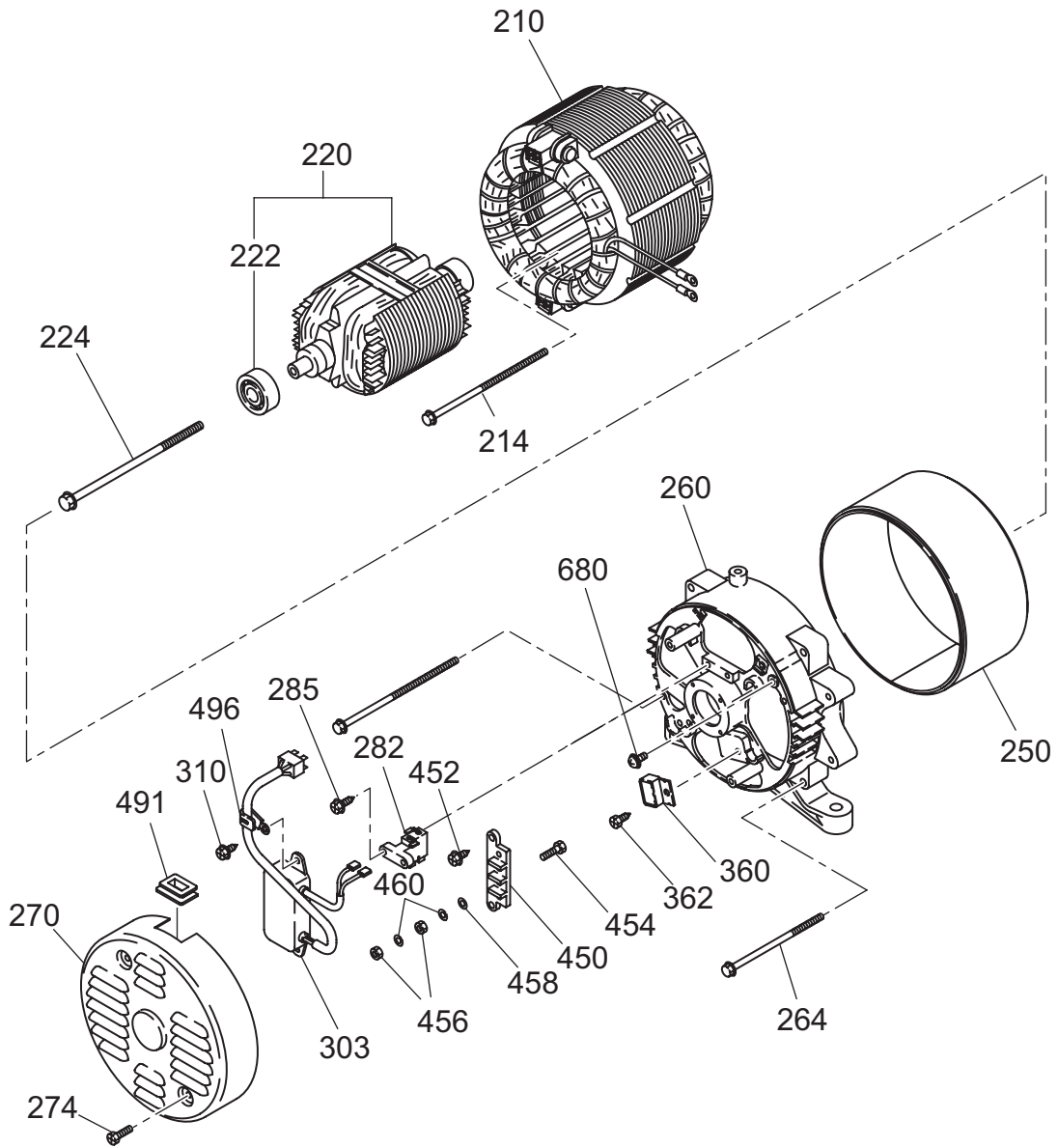
2 1 ENGINE

REF.	PARTS NUMBER	PARTS NAME	QTY	REMARKS	CODE NO. FROM-TO	INTERCHANGEABLE PART NUMBER	UNIT PRICE	FIG.
415	013-00602-40	BOLT AND WASHER AY	1	M6X25L	-			2140
416	018-60600-20	NUT	1	M6	-			2140
417	277-42521-03	GOVERNOR SPRING	1	60Hz	-			2140
430	277-48001-01	PLATE CP (S. ADJUST)	1		-			2140
435	004-31055-50	SCREW	1		-			2140
510	277-52001-13	BLOWER HOUSING	1		-			2150
512	001-14063-50	BOLT AND WASHER AY	1		-			2150
513	001-14064-50	BOLT AND WASHER AY	3		-			2150
515	980-40081-10	STR PIN -8X10	2	M6	-			2150
517	277-56001-03	PLATE 3	1		-			2150
520	277-50401-00	RECOIL STARTER AY	1		-			2150
-1	277-50402-08	SPIRAL SPRING	1		-			2150
-2	277-50403-08	REEL	1		-			2150
-3	277-50408-08	STARTER PORE	1		-			2150
-4	277-50409-08	STARTER KNOB	1		-			2150
-5	277-50404-08	RACHET	1		-			2150
-6	277-50405-08	FRICITION SPRING	1		-			2150
-8	277-50407-08	FRICITION PLATE	1		-			2150
-10	277-50406-08	RETAINING RING	1		-			2150
522	011-00601-40	FLANGE BOLT	3	M6X18L	-			2150
530	277-54101-13	COOLING BLOWER	1		-			2150
560	277-52702-03	BAFFLE 2 (HEAD)	1		-			2150
562	011-00600-20	FLANGE BOLT	1	M6X12L	-			2150
580	277-24401-03	DRIVING SHAFT	1		-			2150
582	011-01001-10	FLANGE BOLT	4	M8X27L	-			2150
610	277-62309-00	CARBURETOR AY	1		-			2160
-1	277-62535-08	THROTTLE VALVE	1		-			2160
-2	209-62351-08	SCREW	1		-			2160
-3	277-62525-08	CHOKE VALVE	1		-			2160
-5	246-62420-08	PILOT JET	1		-			2160
-8	277-62520-08	CHOKE LEVER	1		-			2160
-11	277-62531-18	THROTTLE SHAFT-A	1		-			2160
-12	227-62451-08	BOLT	1		-			2160
-14	277-62500-08	NEEDLE	1		-			2160
-15	277-62515-08	PIN	1		-			2160
-16	277-62506-08	FLOAT BODY	1		-			2160

2 1 ENGINE

REF.	PARTS NUMBER	PARTS NAME	QTY	REMARKS	CODE NO. FROM-TO	INTERCHANGEABLE PART NUMBER	UNIT PRICE	FIG.
-17	214-62450-08	PACKING	1		-			2160
-18	214-62540-08	CHAMBER PACKING	1		-			2160
-19	226-62506-08	FLOAT AY	1		-			2160
-20	277-62440-08	MINE NOZZLE	1		-			2160
-22	277-62402-08	MAIN JET	1		-			2160
-24	226-62701-18	CLIP	1		-			2160
-28	277-62360-08	BOLT	1		-			2160
-32	246-62390-08	SEAL	1		-			2160
-44	248-62410-08	AIR JET	1		-			2160
-45	106-62410-08	AIR JET (PILOT)	1		-			2160
-62	236-62680-08	SEAL	1		-			2160
-104	236-62541-08	PACKING	1		-			2160
770	KU3-11043-11	FLOAT C/U CP3	1		-			2170
771	011-00600-20	FLANGE BOLT	1	M6X12L	-			2170
774	056-60002-50	CLAMP	1		-			2170

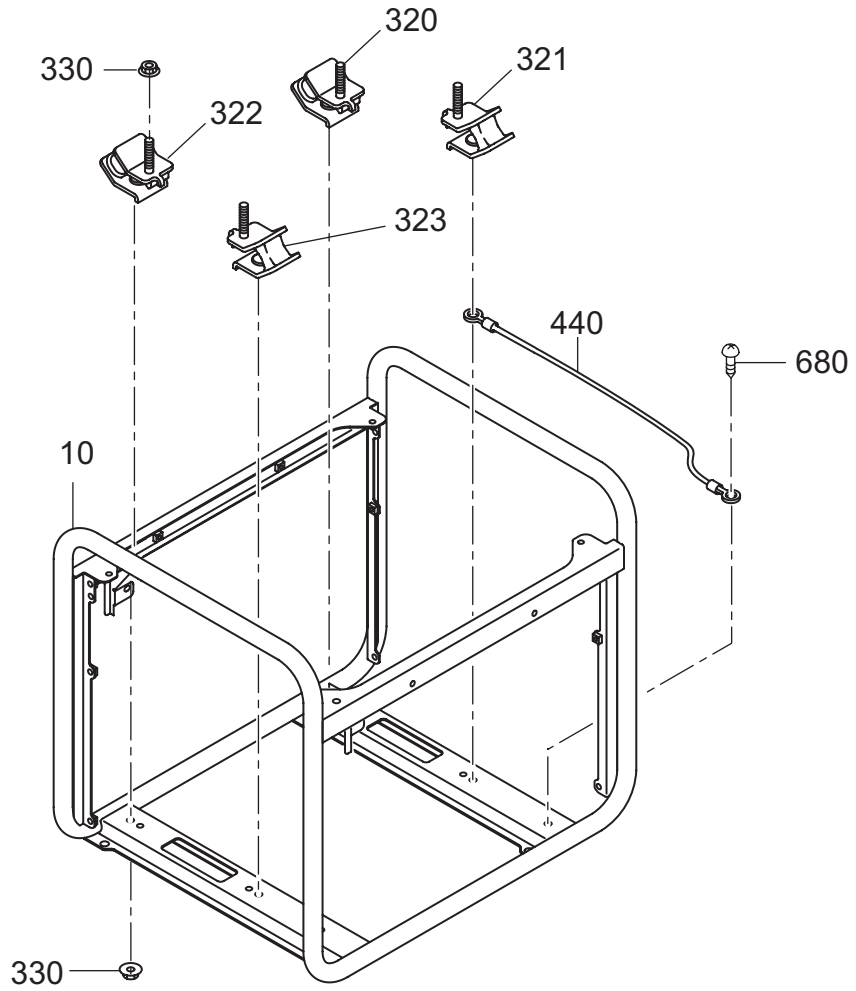
FIG. 2200



2 2 G E N E R A T O R

REF.	PARTS NUMBER	PARTS NAME	QTY	REMARKS	CODE NO. FROM-TO	INTERCHANGEABLE PART NUMBER	UNIT PRICE	FIG.
210	33B-22352-01	STATOR AY	1		-			2200
214	33B-21053-08	BOLT	2	M5X125L	-			2200
220	33B-21161-01	ROTOR	1		-			2200
222	32D-21001-08	BALL BEARING	1		-			2200
224	33B-21055-08	ROTOR BOLT	1	M10X160L	-			2200
250	33B-23061-01	STATOR COVER	1		-			2200
260	32D-23071-01	REAR COVER	1		-			2200
264	33B-21051-08	STATOR BOLT	4	M6X90L	-			2200
270	33B-23051-01	END COVER	1		-			2200
274	33B-21052-08	BOLT	2	M5X10L	-			2200
282	32D-23101-01	BRUSH CP	1		-			2200
285	32D-21062-08	SCREW	1	M5X18L	-			2200
303	33B-23001-00	AVR AY	1		-			2200
310	32D-21055-08	SCREW	2	M5X14L	-			2200
360	32B-23121-01	DIODE STACK	1		-			2200
362	32D-21056-08	SCREW	1		-			2200
450	32D-21052-08	BASE	1		-			2200
452	32D-21055-08	SCREW	2	M5X14L	-			2200
454	32D-21061-08	BOLT	2		-			2200
456	32D-21051-08	NUT	2	M5	-			2200
458	32D-21053-08	WASHER	2		-			2200
460	32D-21054-08	SPRING WASHER	2		-			2200
491	32B-45002-03	GROMMET	1		-			2200
496	32D-21060-08	CLAMP	1		-			2200
680	32D-21063-08	SCREW	1	M5X12L	-			2200

FIG. 2300

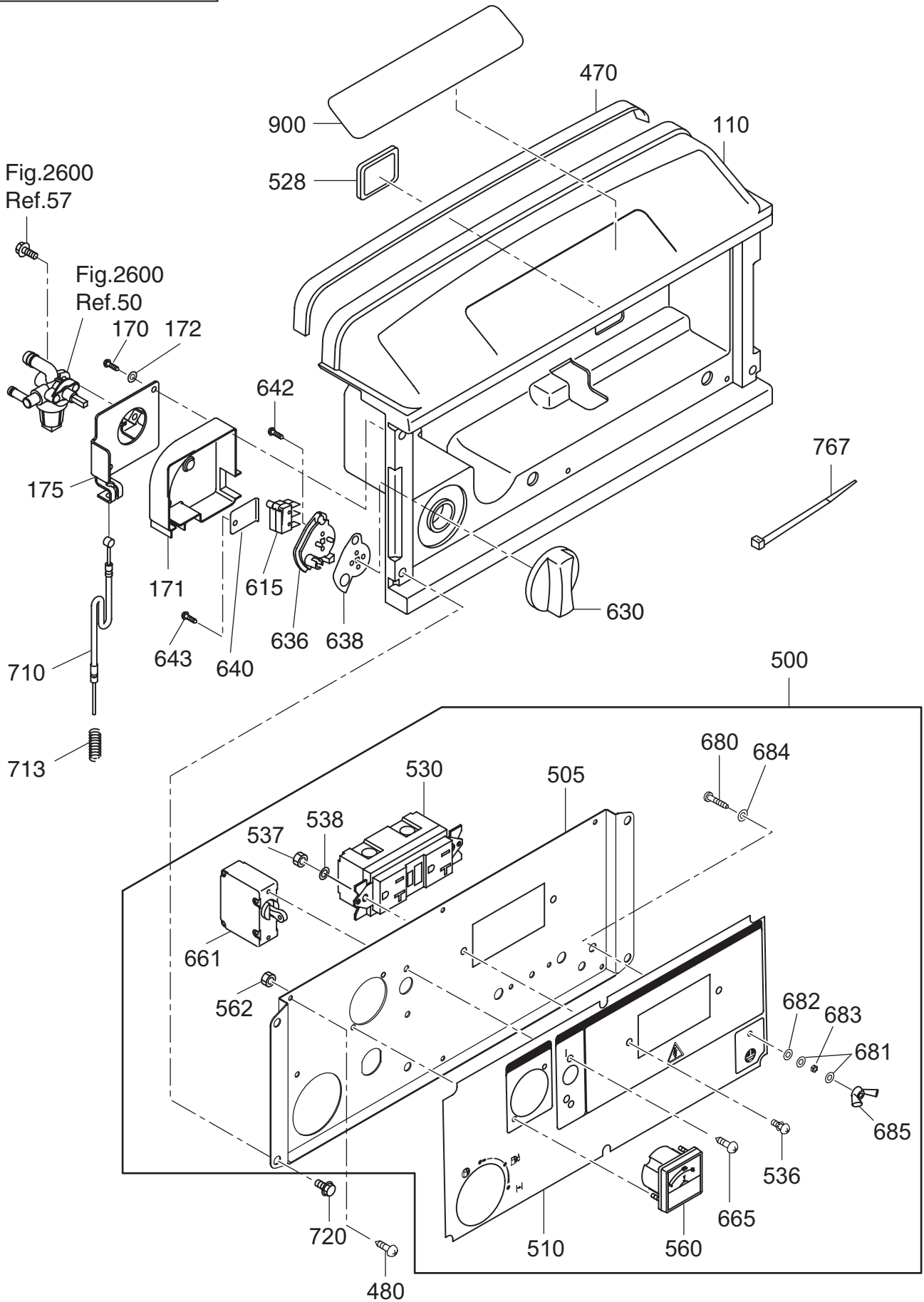


2 3 B A S E , F R A M E

REF.	PARTS NUMBER	PARTS NAME	QTY	REMARKS	CODE NO. FROM-TO	INTERCHANGEABLE PART NUMBER	UNIT PRICE	FIG.
10	33B-30001-11	FRAME CP	1		-			2300
320	32B-30212-11	MOUNT CP(L)	1		-			2300
321	32B-30211-11	MOUNT CP(R)	1		-			2300
322	32B-30202-11	MOUNT CP(L)	1		-			2300
323	32B-30201-11	MOUNT CP(R)	1		-			2300
330	002-38080-00	FLANGE NUT	8		-			2300
440	33B-48091-01	EARTH WIRE CP	1		-			2300
680	014-00601-21	SCREW	1		-			2300

FIG. 2400

60Hz 120V USA



2 4 CONTROL

REF.	PARTS NUMBER	PARTS NAME	QTY	REMARKS	CODE NO. FROM-TO	INTERCHANGEABLE PART NUMBER	UNIT PRICE	FIG.
110	33B-50001-01	FRONT COVER (UPPER) CP	1		-			2400
170	015-00400-70	TAPPING SCREW	2		-			2400
171	33B-46001-03	COVER (COCK)	1		-			2400
172	003-10040-00	WASHER	2		-			2400
175	33B-46012-01	BRACKET (COCK)	1		-			2400
470	34B-57311-03	SEAL SPONGE FC2	1		-			2400
480	353-49904-08	TAPPING SCREW	6		-			2400
500	33B-49921-00	CONTROL PANEL AY	1		-			2400
505	33B-45212-01	PANEL PLATE CP	1		-			2400
510	33B-49968-03	SHEET (PANEL AR) 18	1		-			2400
528	227-75001-03	GROMMET	1		-			2400
530	388-85003-01	AC CONCENT (GFCI)	1	125V-20A	-			2400
536	004-35041-00	SCREW AND WASHER AY	2		-			2400
537	002-27040-00	NUT	2		-			2400
538	003-10040-00	WASHER	2		-			2400
560	391-47802-01	AC VOLT METER	1		-			2400
562	002-17030-00	NUT	2		-			2400
615	33K-41811-03	MICRO SWITCH	2		-			2400
630	33K-42010-03	CONTROL DIAL	1		-			2400
636	33K-42020-03	CHOKE REEL	1		-			2400
638	33K-42030-13	PLATE	1		-			2400
640	33B-46015-01	BRACKET (MICRO)	1		-			2400
642	33K-41814-08	TAPPING SCREW	2	M3X16L	-			2400
643	015-00400-70	TAPPING SCREW	1		-			2400
661	32B-43161-01	CIRCUIT BREAKER	1	AC250V-20A	-			2400
665	31B-79011-03	SCREW	2		-			2400
680	388-88001-03	SCREW AND WASHER AY	1		-			2400
681	332-00050-08	SPRING WASHER	2		-			2400
682	353-49903-08	WASHER	1		-			2400
683	353-49902-08	NUT	1		-			2400
684	003-30050-00	LOCK WASHER	1		-			2400
685	353-49901-08	WING NUT	1		-			2400
710	33B-46021-01	CHOKE WIRE CP	1		-			2400
713	226-45001-03	RETURN SPRING	1		-			2400
720	014-00601-90	SCREW	4	M6X20L	-			2400
767	056-30000-20	WIRE BAND	5		-			2400

FIG. 2400

60Hz 120V USA

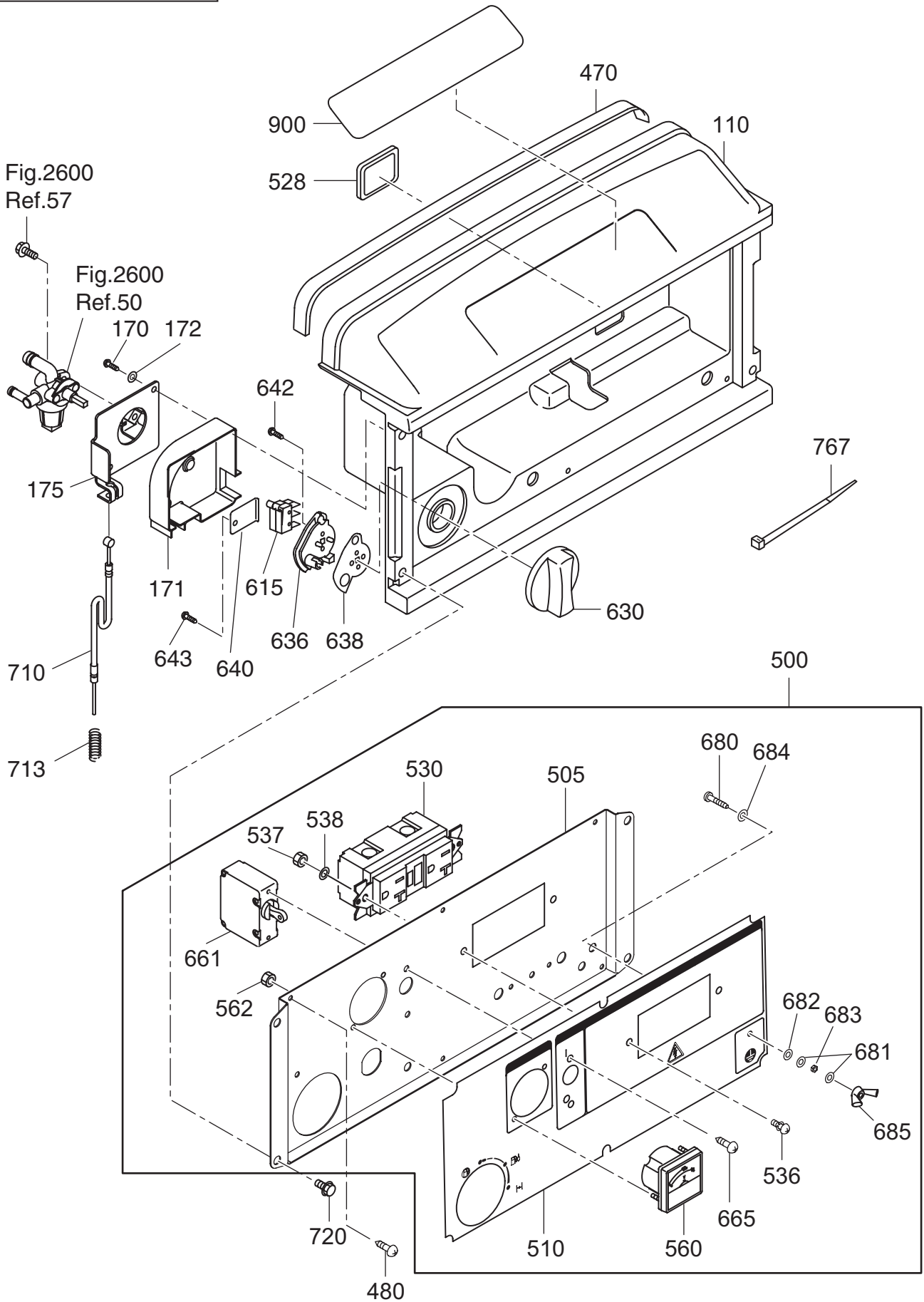
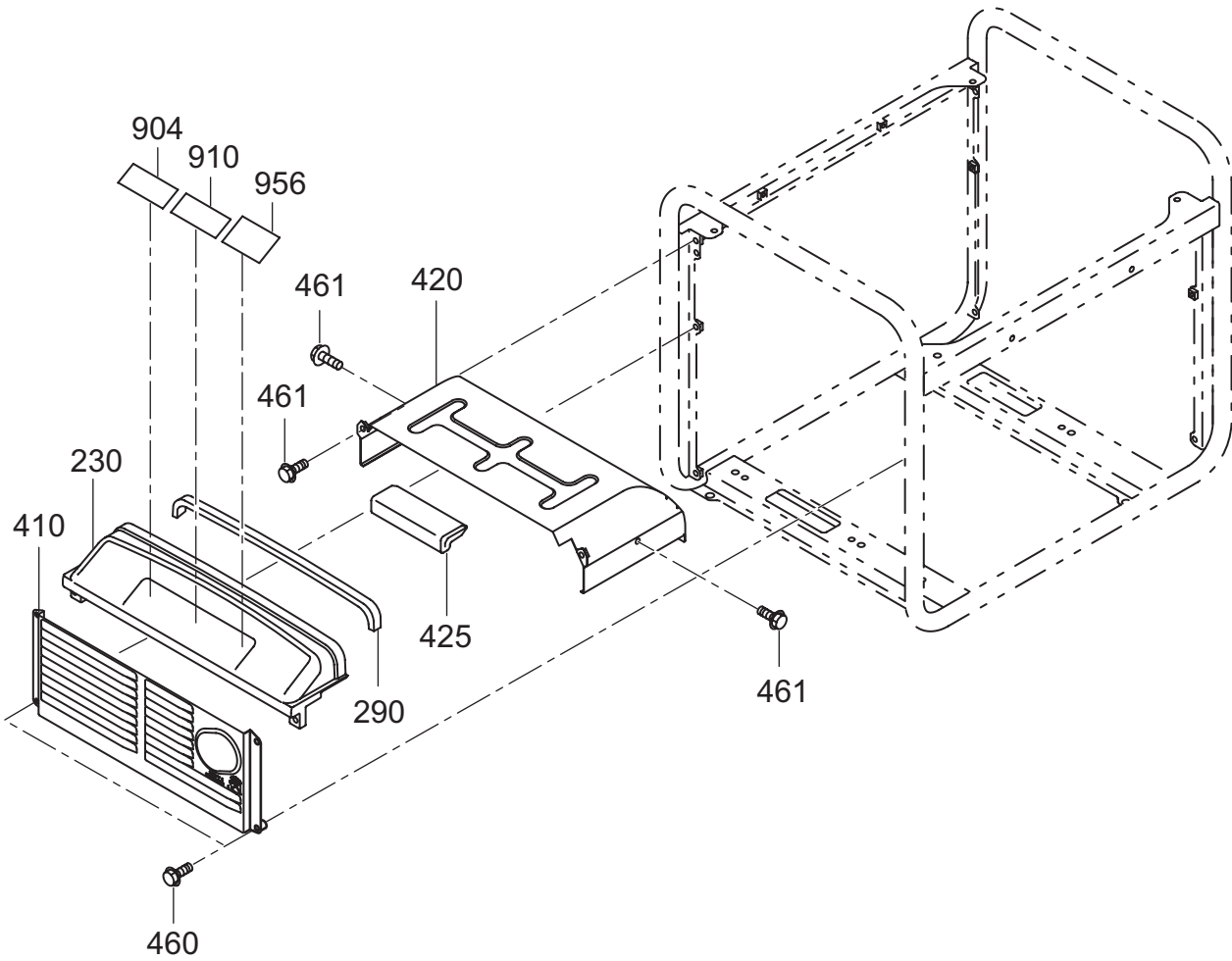


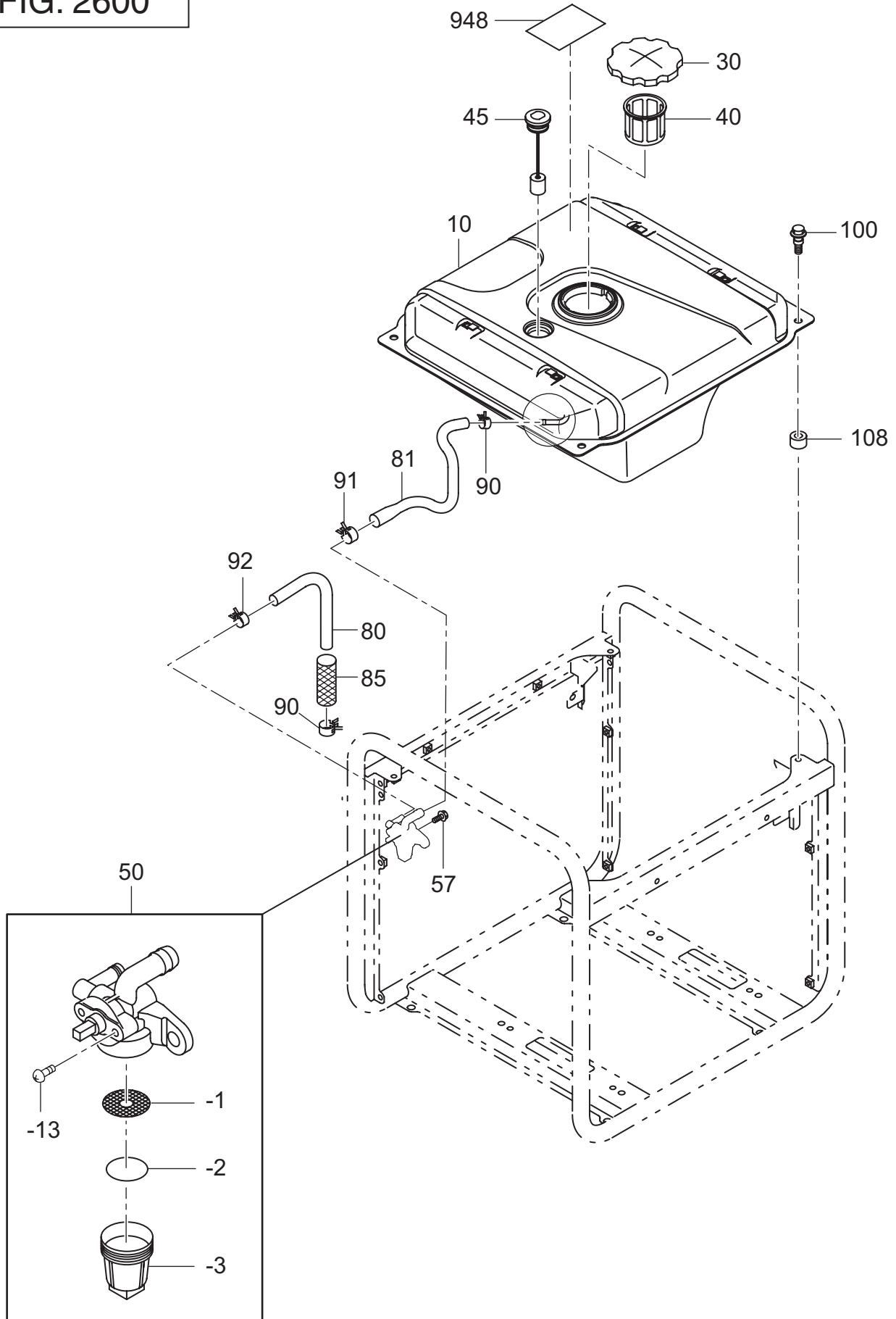
FIG. 2500



25 COVER

REF.	PARTS NUMBER	PARTS NAME	QTY	REMARKS	CODE NO. FROM-TO	INTERCHANGEABLE PART NUMBER	UNIT PRICE	FIG.
230	33B-50501-01	REAR COVER (UPPER) CP	1		-			2500
290	34B-57311-03	SEAL SPONGE FC2	1		-			2500
410	33B-56001-01	MUFFLER COVER CP	1		-			2500
420	33B-56051-01	MUFFLER COVER (S) CP	1		-			2500
425	33B-57005-03	SEAL RUBBER	1		-			2500
460	011-00601-80	FLANGE BOLT	4	M6X18L	-			2500
461	011-00600-80	FLANGE BOLT	4	M6X12L	-			2500
904	33B-96004-03	LABEL (SPEC)	1		-			2500
910	33K-94002-03	LABEL (CAUTION)	1		-			2500
956	073-20045-00	LABEL (HOT&GAS)	1		-			2500

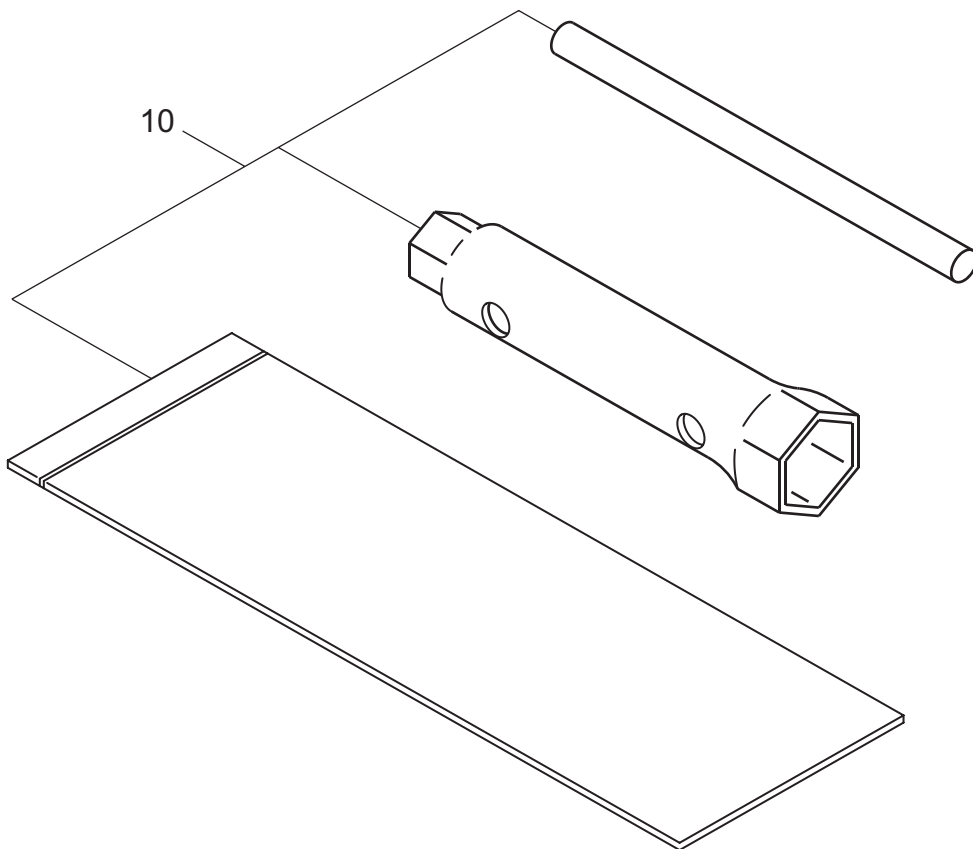
FIG. 2600



2 6 F U A L T A N K

REF.	PARTS NUMBER	PARTS NAME	QTY	REMARKS	CODE NO. FROM-TO	INTERCHANGEABLE PART NUMBER	UNIT PRICE	FIG.
10	33B-60104-01	FUEL TANK CP	1		-			2600
30	043-05900-11	FUEL TANK CAP AY	1		-			2600
40	064-15400-11	FUEL FILTER	1		-			2600
45	064-80015-00	FUEL GAUGE CP	1		-			2600
50	064-20103-00	FUEL STRAINER AY	1		-			2600
-1	064-20093-20	FILTER	1		-			2600
-2	064-20064-10	GASKET, O-RING	1		-			2600
-3	064-20078-10	CUP	1		-			2600
-13	064-20047-90	SCREW	2		-			2600
57	011-00600-20	FLANGE BOLT	1	M6X12L	-			2600
80	085-10600-00	RUBBER PIPE	1	6DX12D	-			2600
81	33B-66001-03	RUBBER PIPE	1	TANK - COCK	-			2600
85	251-17302-03	MESH PROTECTOR	1		-			2600
90	056-11100-20	HOSE CLAMP	2	11D	-			2600
91	056-11300-10	HOSE CLAMP	1	13. 2D	-			2600
92	056-11000-30	HOSE CLAMP	1	10D	-			2600
100	011-00602-20	FLANGE BOLT	4		-			2600
108	391-39000-13	RUBBER (TANK)	4		-			2600
948	073-20045-10	LABEL (SYMBOL-TANK)	1		-			2600

FIG. 2900



29 ACCESSORIES

REF.	PARTS NUMBER	PARTS NAME	QTY	REMARKS	CODE NO. FROM-TO	INTERCHANGEABLE PART NUMBER	UNIT PRICE	FIG.
10	277-90301-H0	ACCESSORY TOOL KIT	1		-			2900