



Robin Generator

Model RG2800iS

For AUS

PARTS CATALOG

Spec. No. RAS28018010
(E/G Spec. No. EX170D20350)

富士重工業株式会社
FUJI HEAVY INDUSTRIES LTD.

ISSUE EMD-GP6021	
ISSUE DATE	2004.05

FIG. 100

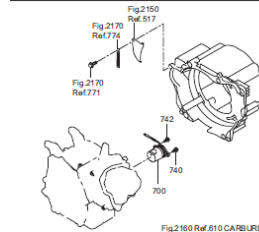
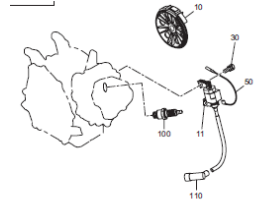
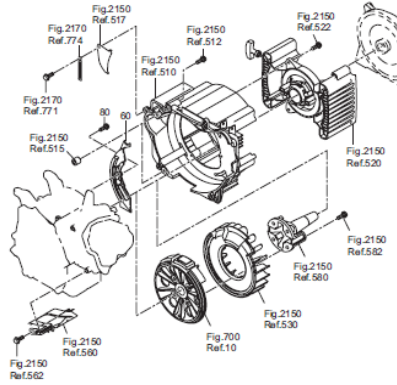
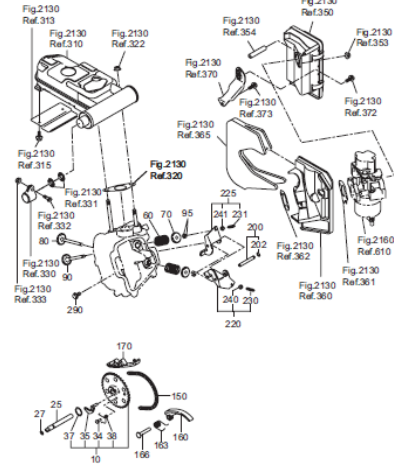
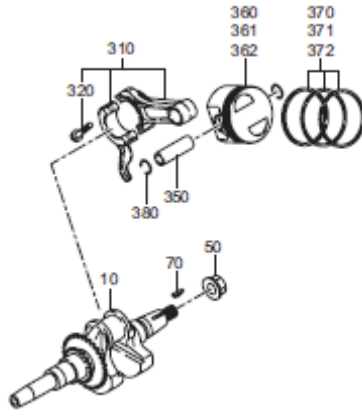
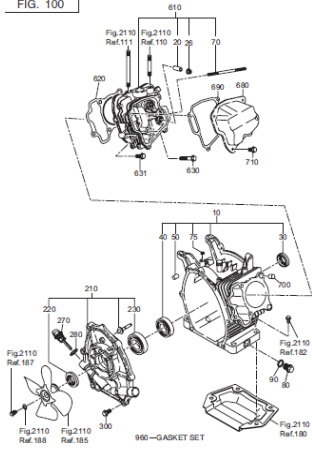


Fig 2160 Ref 610 CARBURETOR AY

FIG. 2110

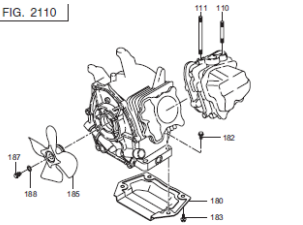


FIG. 2130

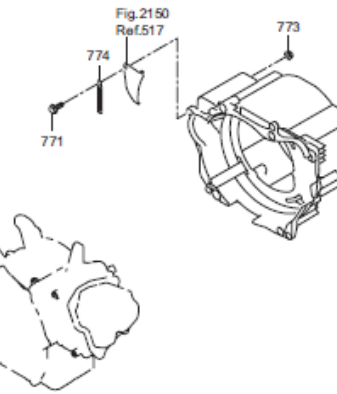
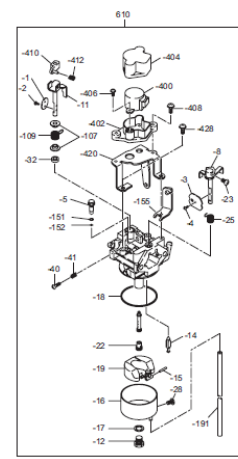
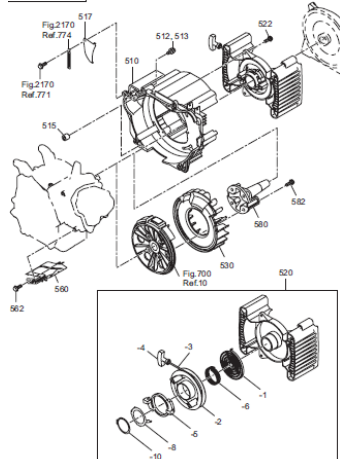
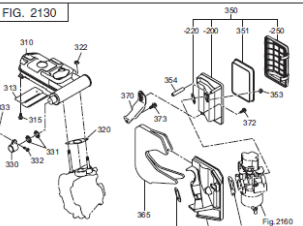
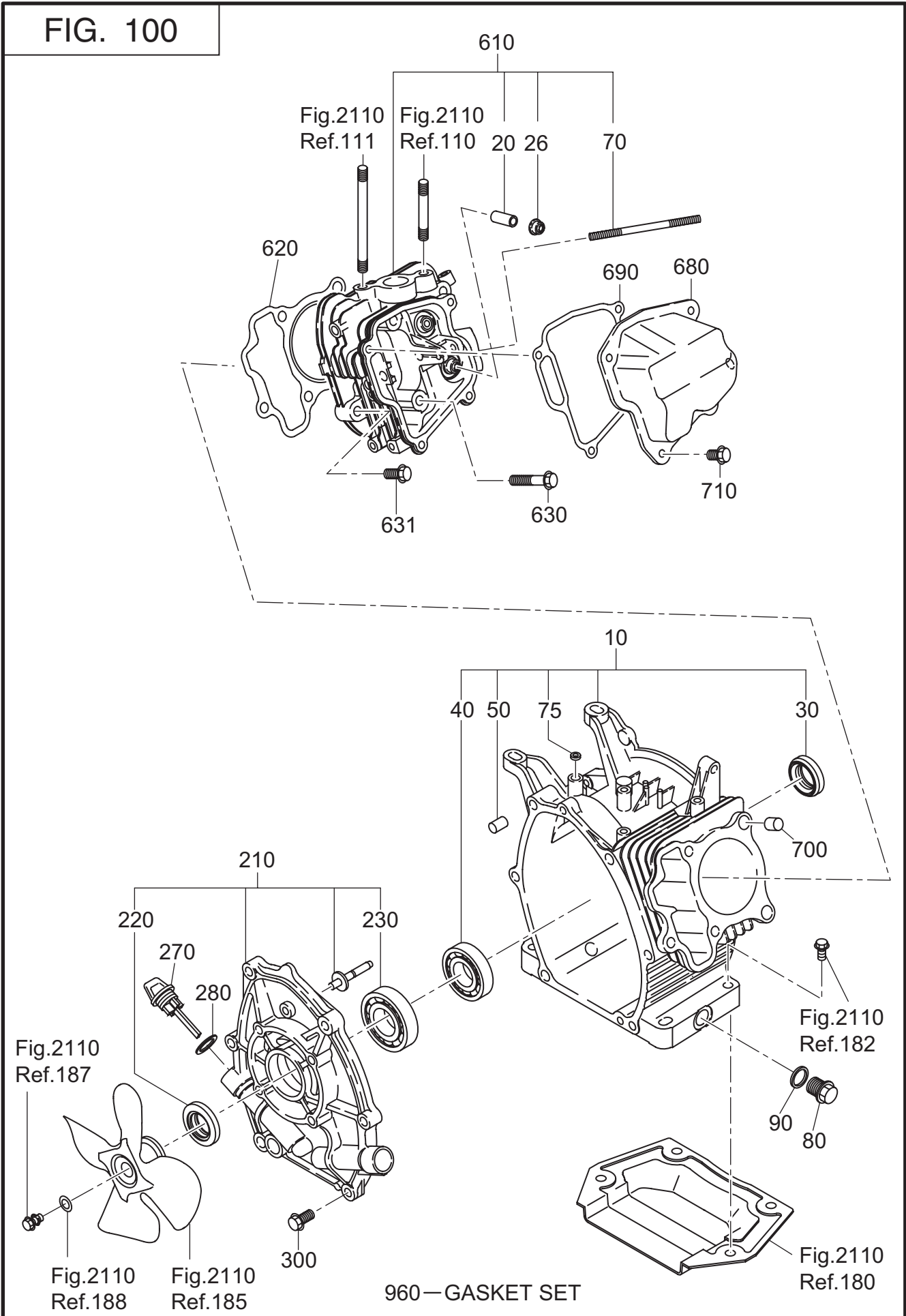


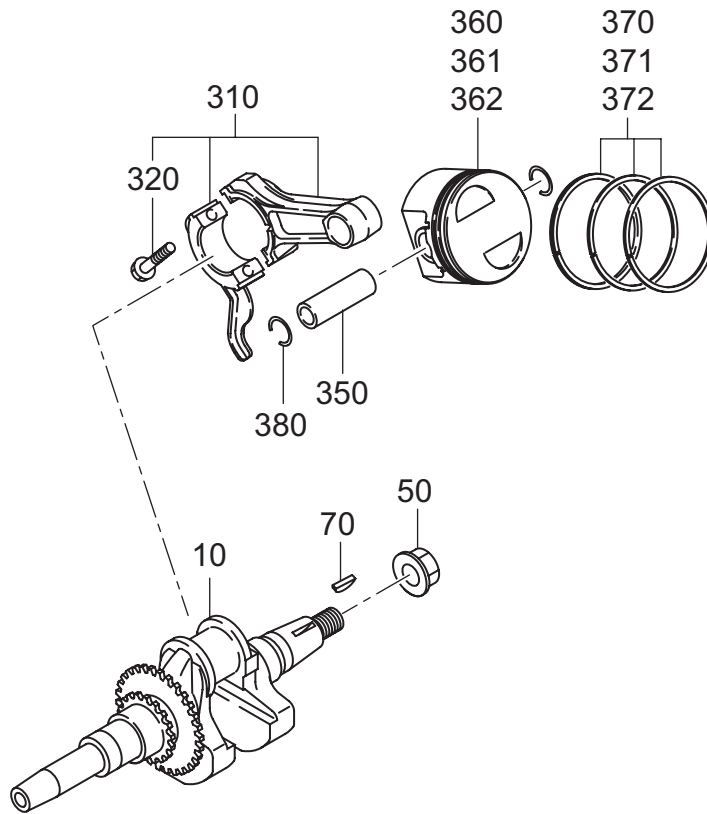
FIG. 100



1 CRANK CASE

REF.	PARTS NUMBER	PARTS NAME	QTY	REMARKS	CODE NO. FROM-TO	INTERCHANGEABLE PART NUMBER	UNIT PRICE	FIG.
10	277-10102-41	CRANK CASE CP	1		-			100
20	237-14202-03	VALVE GUIDE	2	O. S.	-			100
26	277-16010-01	STEM SEAL	1		-			100
30	044-02502-00	OIL SEAL	1		-			100
40	060-02800-21	BALL BEARING	1		-			100
50	277-15011-03	PIPE KNOCK	2		-			100
70	010-50603-51	STUD	2	6DX98L	-			100
75	044-00600-20	OIL SEAL	1		-			100
80	040-11400-30	PLUG	2		-			100
90	021-11400-20	GASKET	2		-			100
210	277-11001-31	MAIN BEARING COVER C	1		-			100
220	044-02502-10	OIL SEAL	1		-			100
230	060-02501-40	BALL BEARING	1		-			100
270	277-63601-13	OIL GAUGE	2		-			100
280	021-31600-20	GASKET	2		-			100
300	001-04083-50	FLANGE BOLT	6		-			100
610	277-13005-01	CYLINDER HEAD CP	1		-			100
620	277-15001-23	GASKET (HEAD)	1		-			100
630	011-00802-40	FLANGE BOLT	4	M8X68L	-			100
631	011-00803-10	FLANGE BOLT	1	M8X33L	-			100
680	277-15501-01	ROCKER COVER CP	1		-			100
690	277-16001-13	GASKET (ROCKER COVER)	1		-			100
700	277-15011-03	PIPE KNOCK	2		-			100
710	011-00600-20	FLANGE BOLT	4	M6X12L	-			100
960	277-99001-27	GASKET SET	1		-			100

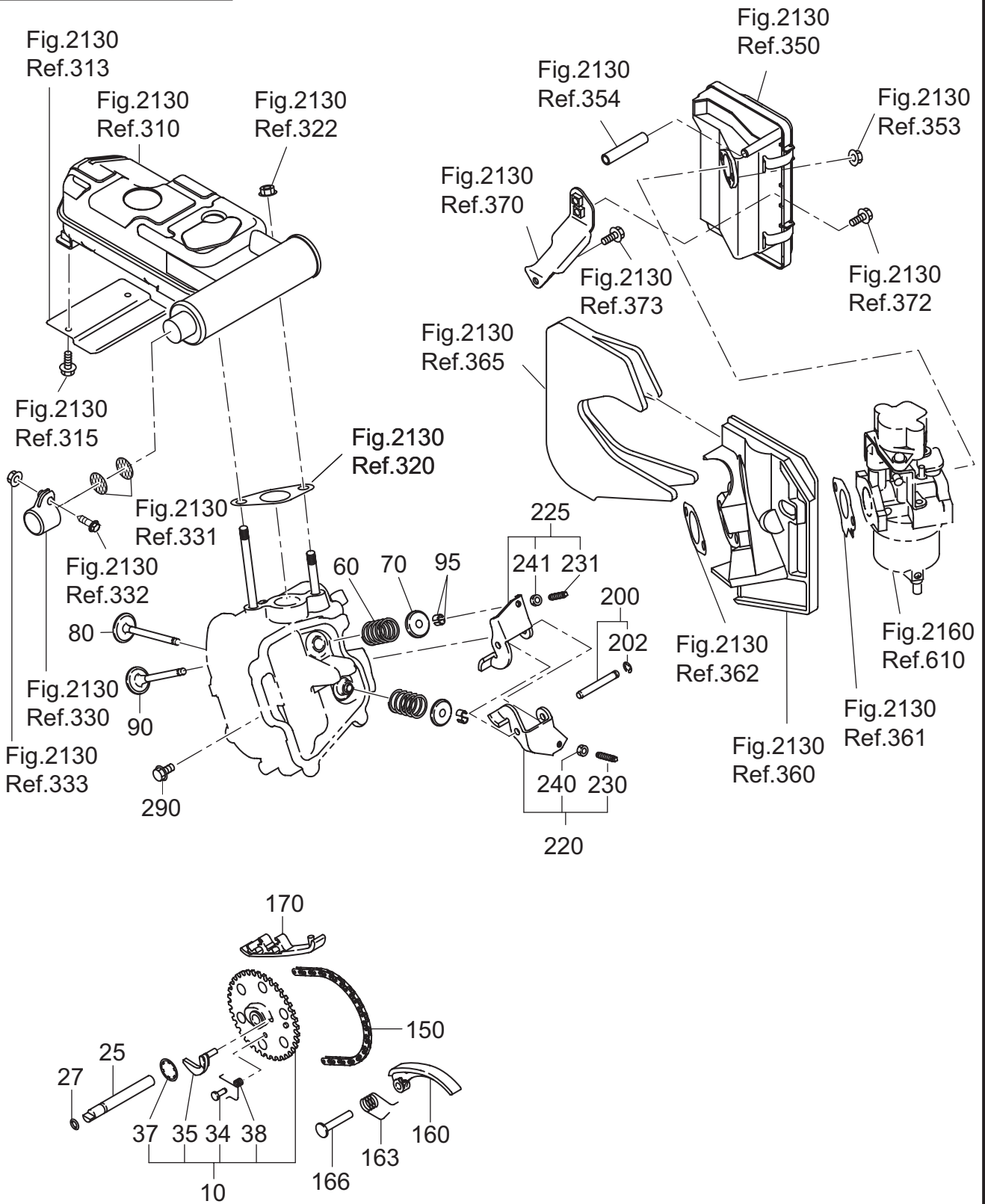
FIG. 200



2 CRANKSHAFT, P I STON

REF.	PARTS NUMBER	PARTS NAME	QTY	REMARKS	CODE NO. FROM-TO	INTERCHANGEABLE PART NUMBER	UNIT PRICE	FIG.
10	277-20701-21	CRANKSHAFT CP	1		-			200
50	018-01400-20	FLANGE NUT	1		-			200
70	032-30300-10	WOODRUFF KEY	1	3X6 (D16)	-			200
310	277-22501-10	CONNECTING ROD AY	1		-			200
320	277-23001-03	CONNECTING ROD BOLT	2	M6	-			200
350	277-23301-03	PISTON PIN	1		-			200
360	277-23401-03	PISTON	1	STD. (67DX40H)	-			200
361	277-23403-03	PISTON	1	0.25 O. S. (67DX40H)	-			200
362	277-23404-03	PISTON	1	0.50 O. S. (67DX40H)	-			200
370	277-23501-17	PISTON RING SET	1	STD OIL 3 PIECES	-			200
371	277-23502-17	PISTON RING SET	1	0.25 O. S. OIL 3PIECE	-			200
372	277-23503-17	PISTON RING SET	1	0.50 O. S. OIL 3PIECE	-			200
380	056-51600-10	CLIP	2	D=1.4	-			200

FIG. 300



3 INTAKE, EXHAUST

REF.	PARTS NUMBER	PARTS NAME	QTY	REMARKS	CODE NO. FROM-TO	INTERCHANGEABLE PART NUMBER	UNIT PRICE	FIG.
10	278-31601-11	CAM SHAFT CP	1		-			300
25	277-35101-03	PIN (CAM SHAFT)	1		-			300
27	024-00600-10	O RING	1		-			300
34	277-38601-03	PIN (SPRING)	1		-			300
35	277-36401-03	RELEASE LEVER	1		-			300
37	277-36501-03	CLIP	1		-			300
38	279-38701-13	RETURN SPRING	1		-			300
60	279-33601-03	VALVE SPRING	2		-			300
70	269-33701-03	SPRING RETAINER	2		-			300
80	277-33401-H3	INTAKE VALVE	1		-			300
90	277-33501-H3	EXHAUST VALVE	1		-			300
95	132-10KA0-31	COLLET-VALVE	4		-			300
150	277-35601-11	TIMING CHAIN CP	1		-			300
160	277-36911-03	TENTIONER	1		-			300
163	277-37101-03	SPRING (TENTIONER)	1		-			300
166	277-36902-03	PIN (TENTIONER)	1		-			300
170	277-36913-13	CHAIN GUIDE	1		-			300
200	277-35002-01	PIN (ROCKER) CP	1		-			300
202	003-13050-00	CLIP	1		-			300
220	277-36201-00	ROCKER ARM (IN) AY	1		-			300
225	277-36202-00	ROCKER ARM (EX) AY	1		-			300
230	014-90500-20	ADJUST SCREW	1	M5	-			300
231	014-90500-20	ADJUST SCREW	1	M5	-			300
240	017-00500-30	NUT	1	M5	-			300
241	017-00500-30	NUT	1	M5	-			300
290	011-00600-20	FLANGE BOLT	1	M6X12L	-			300

FIG. 400

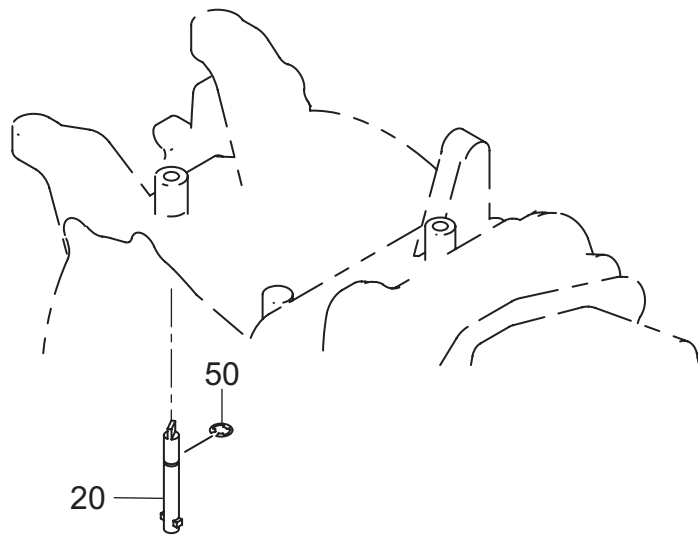


FIG. 500

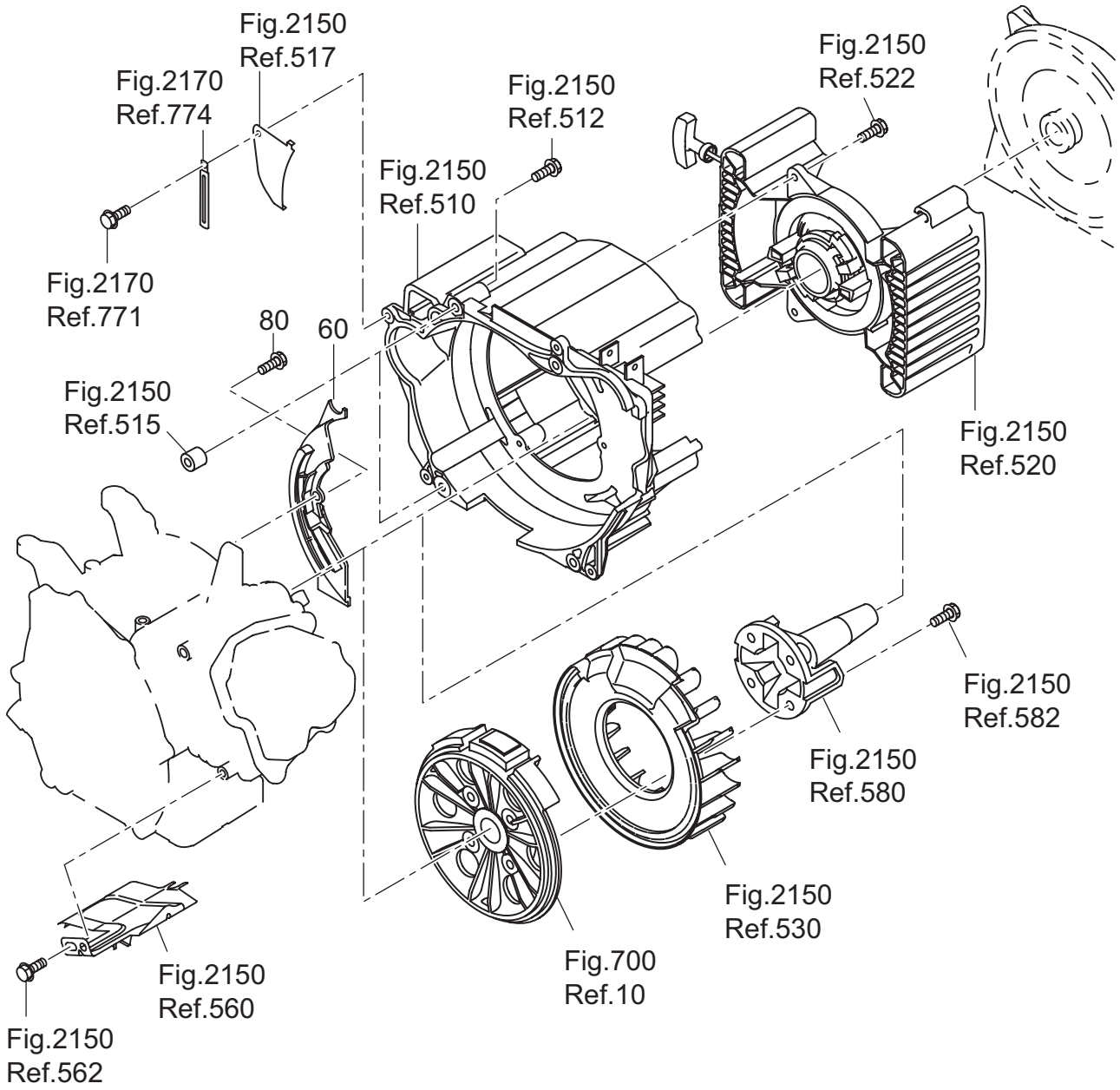


FIG. 700

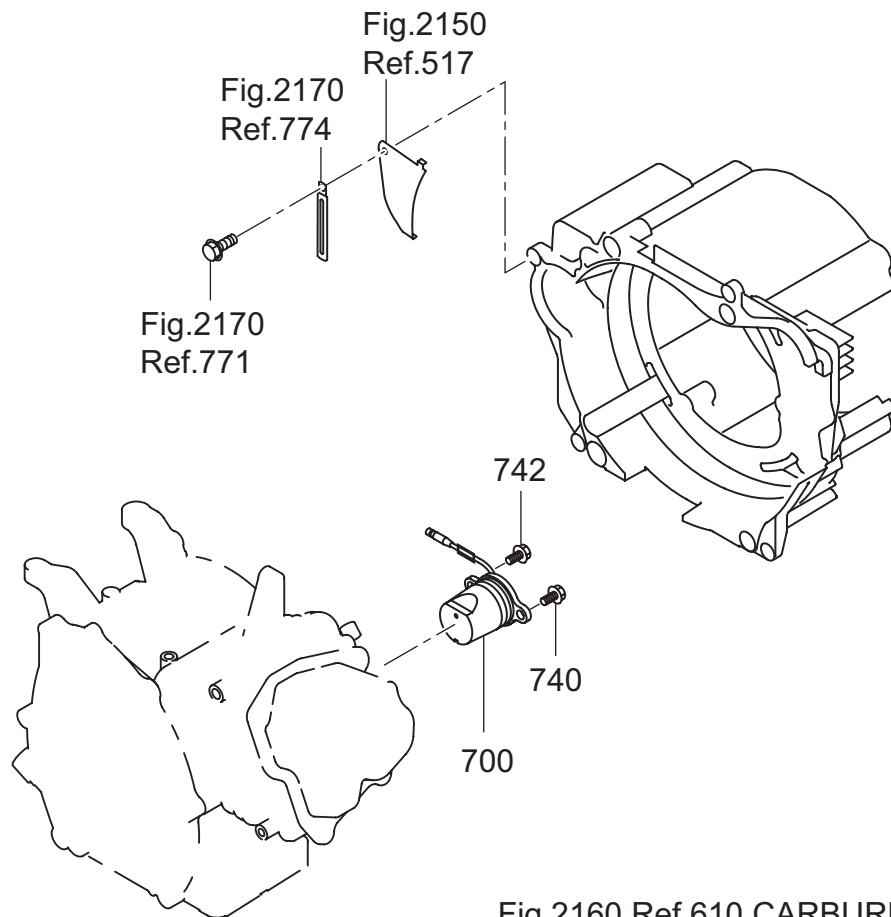
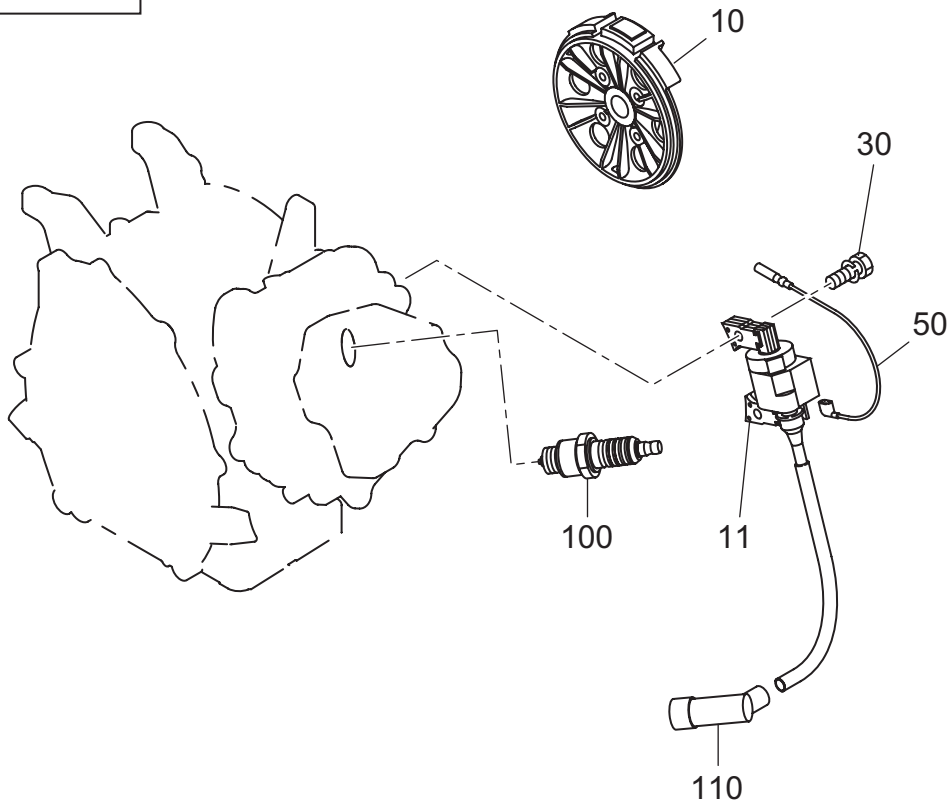


Fig.2160 Ref.610 CARBURETOR AY

7 ELECTRIC DEVICE

REF.	PARTS NUMBER	PARTS NAME	QTY	REMARKS	CODE NO. FROM-TO	INTERCHANGEABLE PART NUMBER	UNIT PRICE	FIG.
10	277-79232-01	FLYWHEEL CP	1		-			700
11	277-79431-01	IGNITION COIL CP	1		-			700
30	001-14062-50	BOLT AND WASHER AY	2		-			700
50	277-73102-H1	WIRE 2 CP	1		-			700
100	065-01401-50	SPARK PLUG	1		-			700
110	065-50002-70	SPARK PLUG CAP	1		-			700
700	277-76301-11	OIL SENSOR CP	1		-			700
740	001-14061-60	BOLT AND WASHER AY	1		-			700
742	013-00602-60	BOLT AND WASHER AY	1		-			700

FIG. 2110

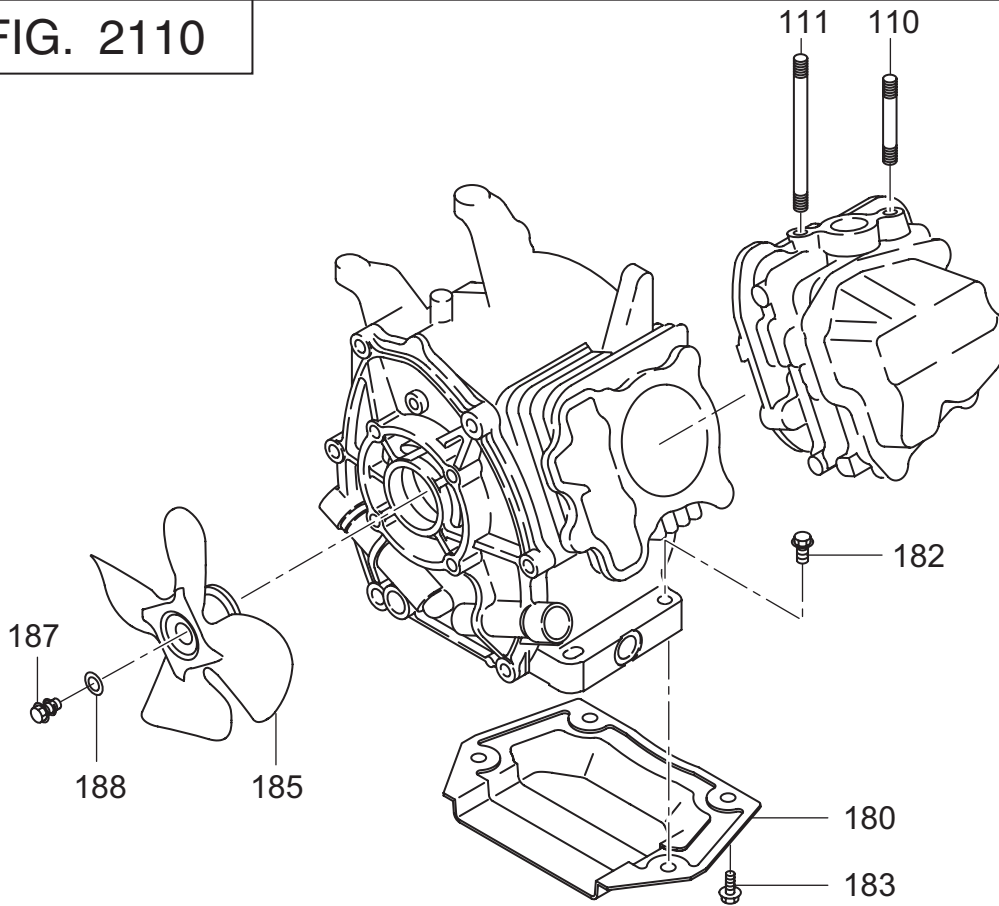


FIG. 2130

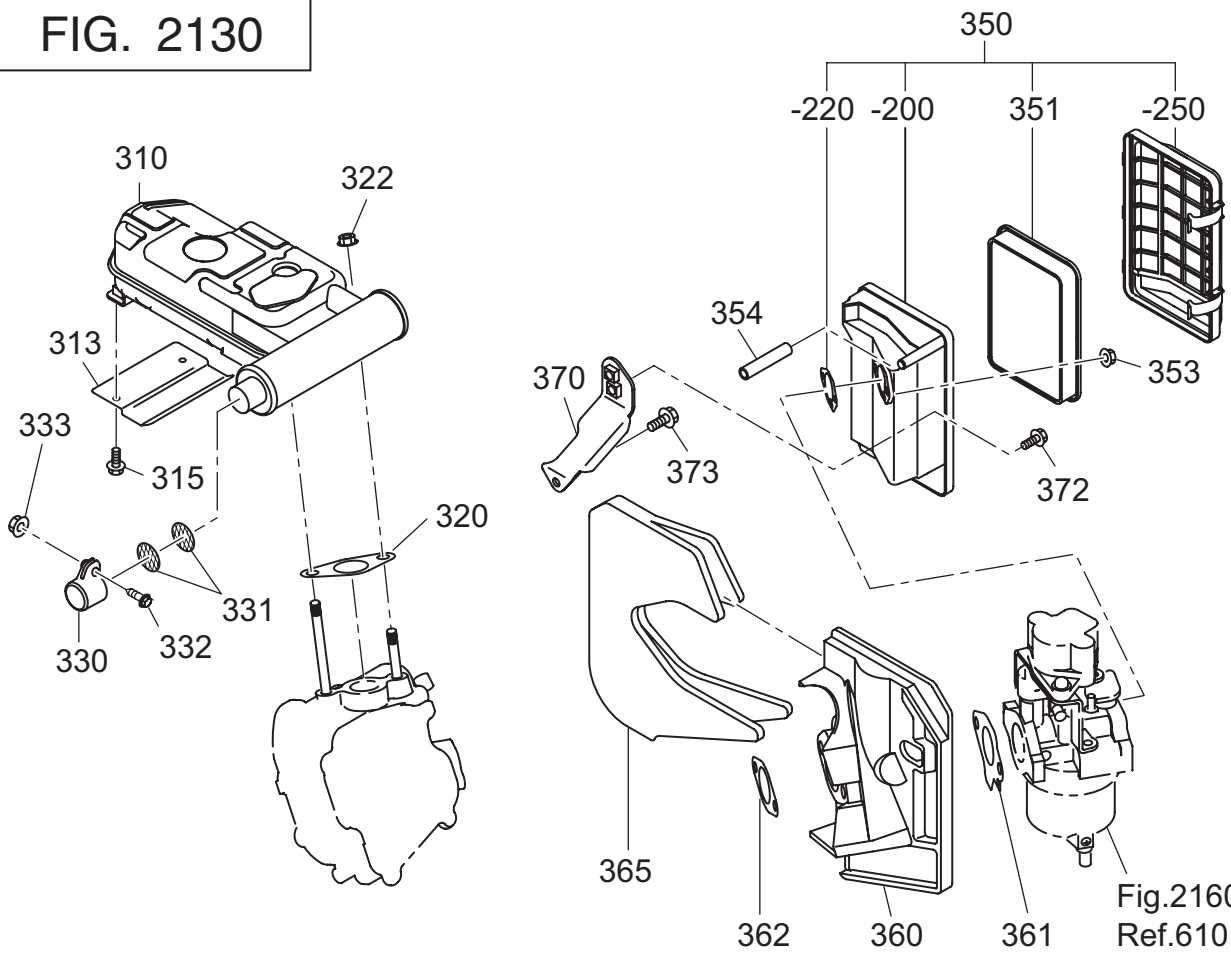


Fig.2160
Ref.610

FIG. 2150

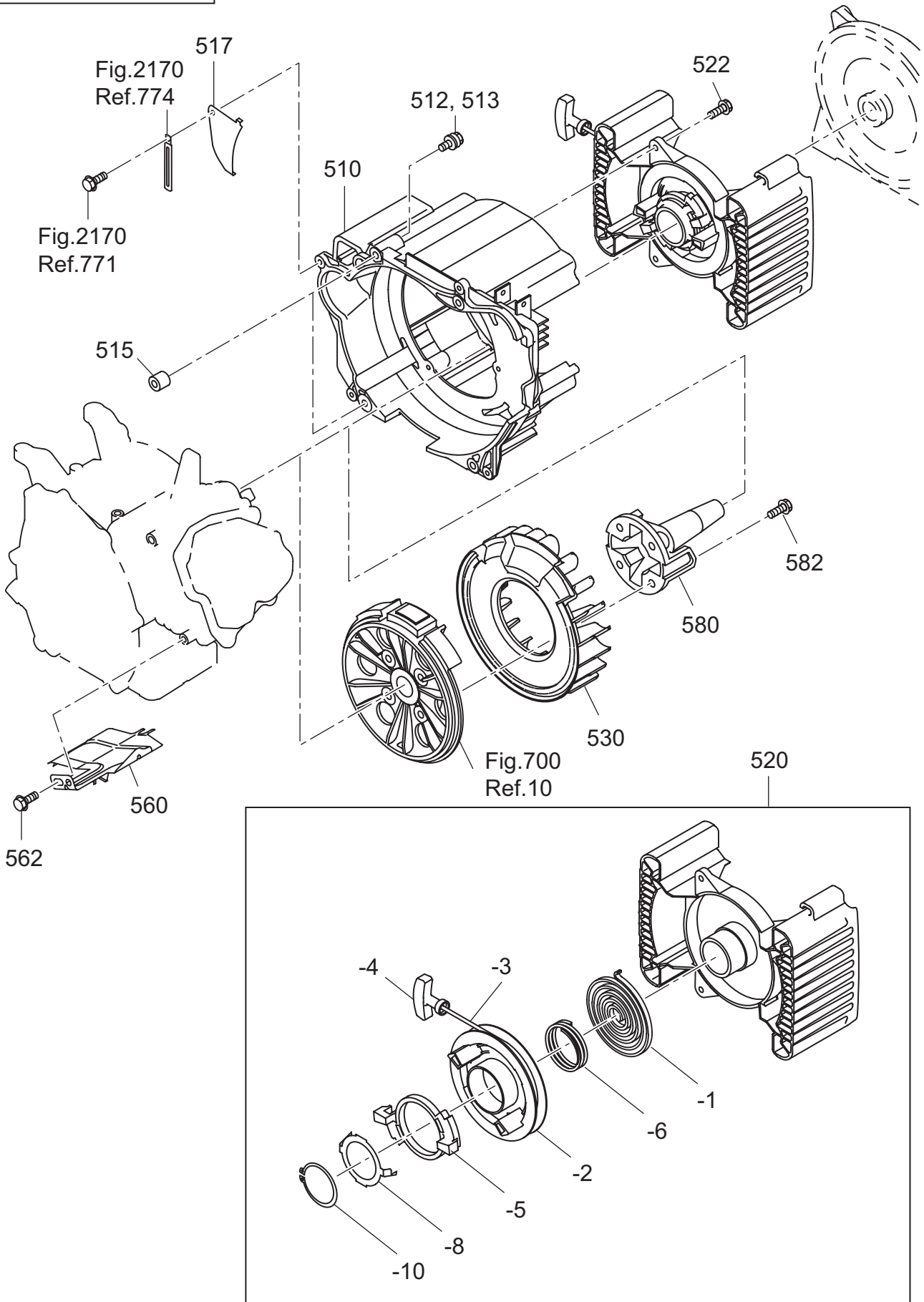


FIG. 2160

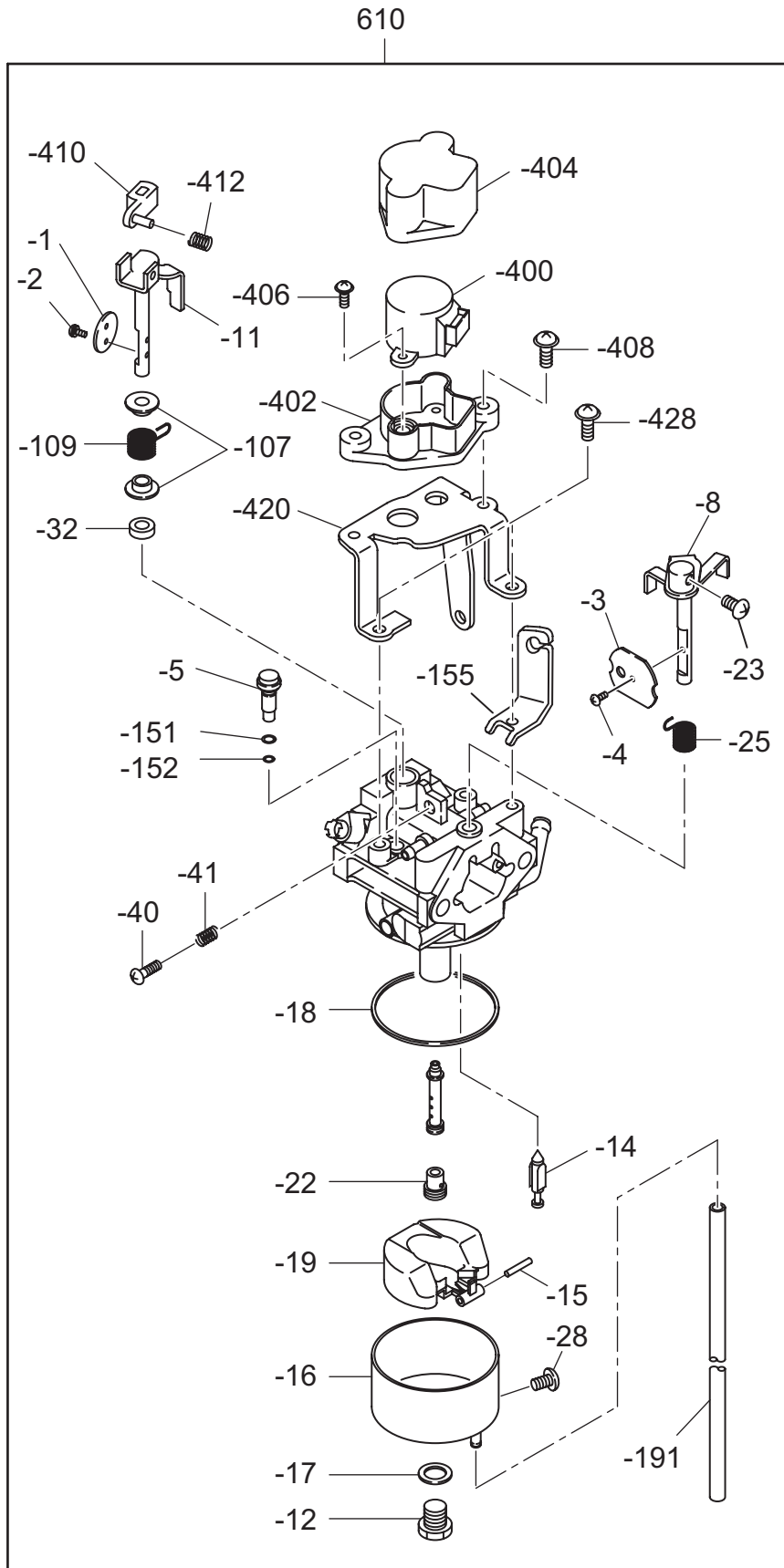
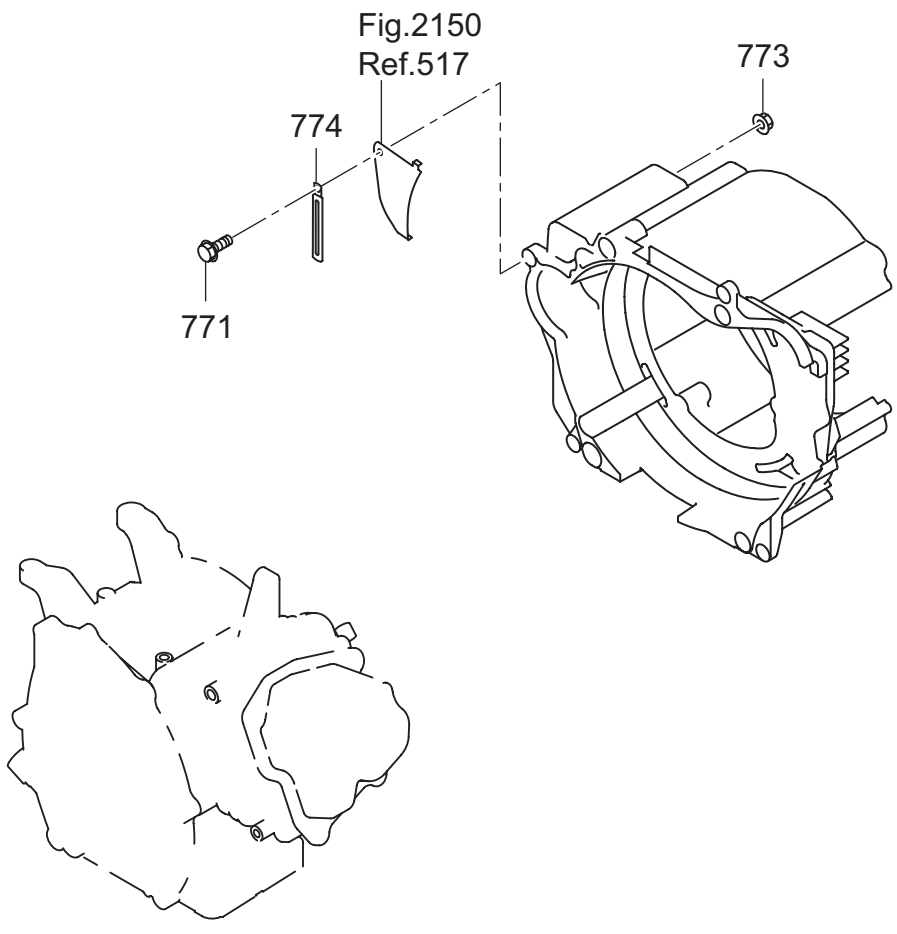


FIG. 2170



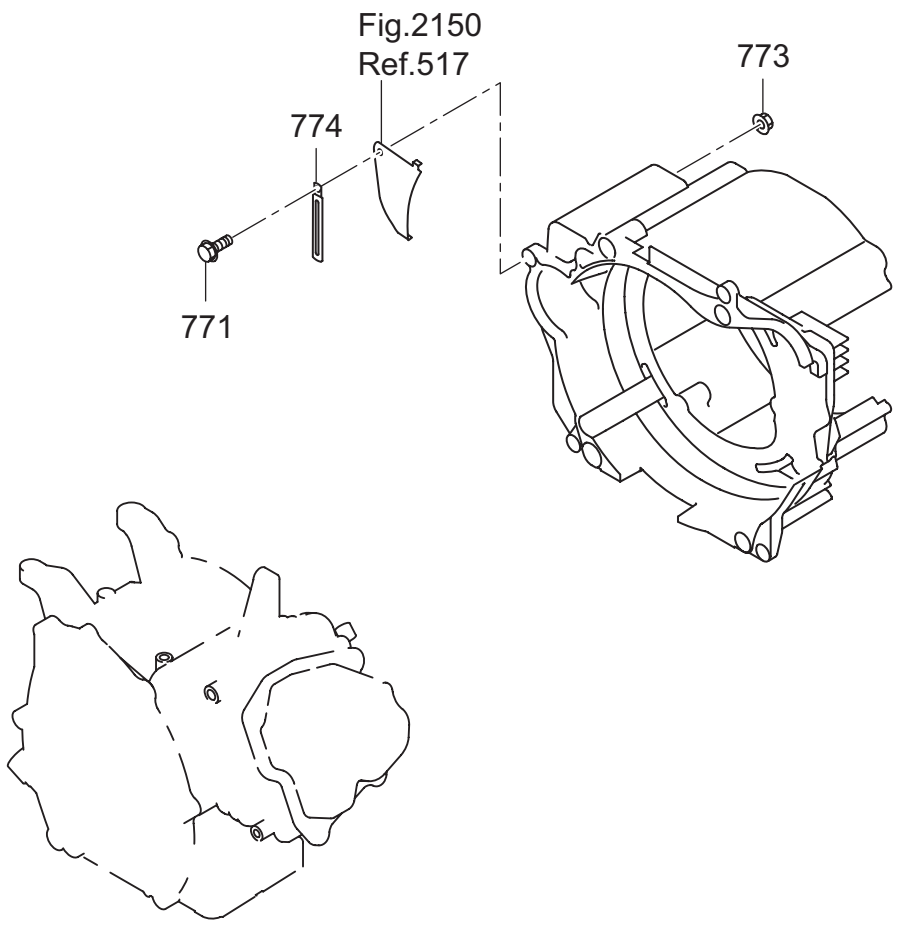
2 1 ENGINE

REF.	PARTS NUMBER	PARTS NAME	QTY	REMARKS	CODE NO. FROM-TO	INTERCHANGEABLE PART NUMBER	UNIT PRICE	FIG.
110	010-50802-90	STUD	1		-			2110
111	010-50805-10	STUD	1	M8X112L	-			2110
180	33B-35001-01	BOTTOM EXT. PLATE CP	1		-			2110
182	011-00802-70	FLANGE BOLT	2	M8X33L	-			2110
183	011-00801-50	FLANGE BOLT	2	M8X12L	-			2110
185	34G-54101-01	FAN (SILENT) CP	1		-			2110
187	001-14082-50	BOLT AND WASHER AY	1		-			2110
188	020-00800-80	WASHER	1		-			2110
310	277-30411-31	MUFFLER CP (SILENT)	1		-			2130
313	33B-52601-03	BAFFLE	1		-			2130
315	011-00601-60	FLANGE BOLT	2	M6X23L	-			2130
320	277-35201-13	GASKET (MUFFLER)	1		-			2130
322	980-20082-80	FLANGE NUT	2	M8	-			2130
330	277-37210-03	TAIL SCREEN COVER	1		-			2130
331	277-37220-03	SCREEN	2		-			2130
332	004-35051-60	SCREW AND WASHER AY	1		-			2130
333	002-18050-00	NUT	1		-			2130
350	277-32622-20	AIR CLEANER AY	1		-			2130
-200	277-32632-08	BASE CP	1		-			2130
-220	277-32604-08	PACKING	1		-			2130
-250	277-32643-18	COVER CP	1		-			2130
351	277-32661-17	ELEMENT SET	1		-			2130
353	002-38060-00	FLANGE NUT	2		-			2130
354	085-10800-00	RUBBER PIPE	1	8DX11D	-			2130
360	277-32910-03	INSULATOR	1		-			2130
361	277-35902-H3	GASKET 1 (INSULATOR)	1		-			2130
362	277-35903-H3	GASKET 2 (INSULATOR)	1		-			2130
365	277-39701-03	SPONGE (INSULATOR)	1		-			2130
370	277-39004-01	BRACKET (A/C) 1 CP	1		-			2130
372	011-00600-50	FLANGE BOLT	1	M6X20L	-			2130
373	011-00600-20	FLANGE BOLT	1	M6X12L	-			2130
510	277-52001-13	BLOWER HOUSING	1		-			2150
512	001-14063-50	BOLT AND WASHER AY	1		-			2150
513	001-14064-50	BOLT AND WASHER AY	3		-			2150
515	980-40081-10	STR PIN -8X10	2	M6	-			2150
517	277-56001-03	PLATE 3	1		-			2150

2 1 ENGINE

REF.	PARTS NUMBER	PARTS NAME	QTY	REMARKS	CODE NO. FROM-TO	INTERCHANGEABLE PART NUMBER	UNIT PRICE	FIG.
520	277-50401-00	RECOIL STARTER AY	1		-			2150
-1	277-50402-08	SPIRAL SPRING	1		-			2150
-2	277-50403-08	REEL	1		-			2150
-3	277-50408-08	STARTER PORE	1		-			2150
-4	277-50409-08	STARTER KNOB	1		-			2150
-5	277-50404-08	RACHET	1		-			2150
-6	277-50405-08	FRICITION SPRING	1		-			2150
-8	277-50407-08	FRICITION PLATE	1		-			2150
-10	277-50406-08	RETAINING RING	1		-			2150
522	011-00601-40	FLANGE BOLT	3	M6X18L	-			2150
530	277-54101-13	COOLING BLOWER	1		-			2150
560	277-52702-03	BAFFLE 2 (HEAD)	1		-			2150
562	011-00600-20	FLANGE BOLT	1	M6X12L	-			2150
580	277-24401-03	DRIVING SHAFT	1		-			2150
582	011-01001-10	FLANGE BOLT	4	M8X27L	-			2150
610	277-62330-00	CARBURETOR AY	1		-			2160
-1	277-62536-08	THROTTLE VALVE	1		-			2160
-2	284-62455-08	SCREW	2		-			2160
-3	284-62525-08	CHOKE VALVE	1		-			2160
-4	284-62455-08	SCREW	1		-			2160
-5	277-62422-08	SLOW JET	1		-			2160
-8	284-62520-08	CHOKE LEVER	1		-			2160
-11	277-62532-08	THROTTLE SHAFT	1		-			2160
-12	284-62355-08	BOLT	1		-			2160
-14	279-62500-08	NEEDLE	1		-			2160
-15	284-62515-08	PIN	1		-			2160
-16	284-62550-08	FLOAT BODY	1		-			2160
-17	251-62350-08	PACKING	1		-			2160
-18	284-62540-08	CHAMBER PACKING	1		-			2160
-19	284-62505-08	FLOAT AY	1		-			2160
-22	277-62409-08	MAIN JET	1		-			2160
-23	284-62456-08	SCREW	1		-			2160
-25	284-62445-08	SPRING (CHOKE)	1		-			2160
-28	251-62466-08	DRAIN SCREW	1		-			2160
-32	251-62559-08	SEAL	1		-			2160
-40	277-62581-08	ADJUST SCREW	1		-			2160

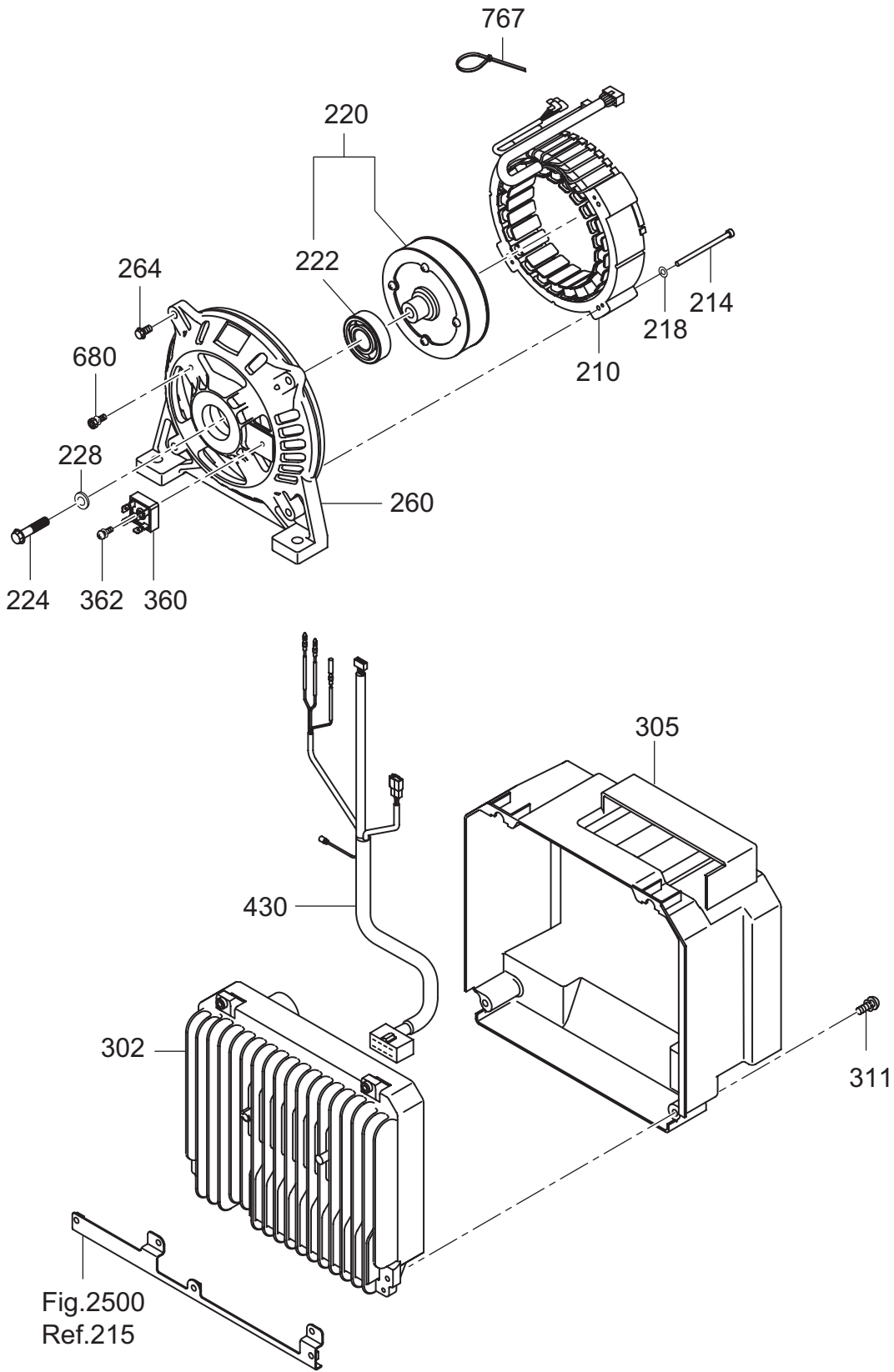
FIG. 2170



2 1 E N G I N E

REF.	PARTS NUMBER	PARTS NAME	QTY	REMARKS	CODE NO. FROM-TO	INTERCHANGEABLE PART NUMBER	UNIT PRICE	FIG.
-41	251-62449-08	SPRING	1		-			2160
-107	284-62561-08	COLLAR	2		-			2160
-109	284-62315-08	SPRING (THROTTLE)	1		-			2160
-151	284-62451-08	O RING	1		-			2160
-152	284-62450-08	O RING	1		-			2160
-155	277-62451-08	BRACKET (WIRE)	1		-			2160
-191	277-62590-08	VINYL PIPE	1		-			2160
-400	284-62580-08	MOTOR	1		-			2160
-402	284-62576-08	BRACKET (MOTOR)	1		-			2160
-404	277-62595-08	COVER (MOTOR)	1		-			2160
-406	284-62458-08	SCREW	2		-			2160
-408	284-62457-08	SCREW	2		-			2160
-410	284-62555-08	JOINT LEVER	1		-			2160
-412	284-62446-08	SPRING	1		-			2160
-420	284-62575-08	BRACKET	1		-			2160
-428	284-62457-08	SCREW	3		-			2160
771	011-00600-50	FLANGE BOLT	1		-			2170
773	002-38060-00	FLANGE NUT	1		-			2170
774	056-60002-50	CLAMP	1		-			2170

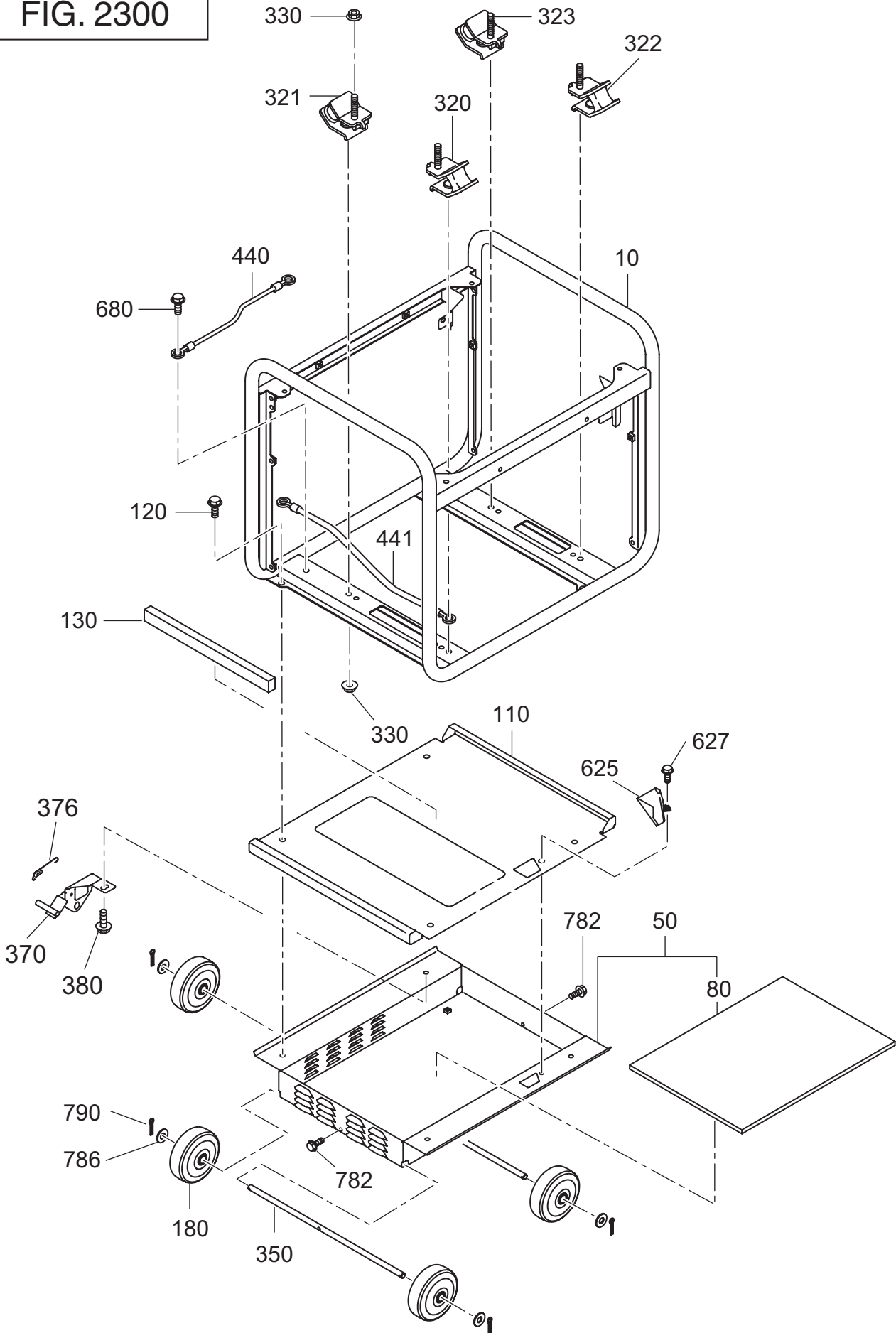
FIG. 2200



2 2 GENERATOR

REF.	PARTS NUMBER	PARTS NAME	QTY	REMARKS	CODE NO. FROM-TO	INTERCHANGEABLE PART NUMBER	UNIT PRICE	FIG.
210	34B-21051-01	STATOR CP	1		-			2200
214	34B-21051-08	BOLT	4	M5X35L	-			2200
218	003-20050-00	SPRING WASHER	4	M5	-			2200
220	34B-20061-01	ROTOR CP	1		-			2200
222	34B-21001-08	BEARING	1		-			2200
224	010-01002-00	BOLT	1		-			2200
228	020-01001-60	WASHER	1		-			2200
260	34B-23071-01	REAR COVER	1		-			2200
264	001-14062-50	BOLT AND WASHER AY	4		-			2200
302	KU3-10810-21	INV & E/G C/U CP (F5)	1		-			2200
305	34B-55001-03	COVER (INVERTOR)	1		-			2200
311	004-36051-60	SCREW AND WASHER AY	2		-			2200
360	34K-20903-08	RECTIFIER	1		-			2200
362	34K-20904-08	SCREW	1	M4X20L	-			2200
430	34B-48101-01	WIRE HARNESS (E/G) CP	1		-			2200
680	34K-20905-08	SCREW	1	M5X10L	-			2200
767	34K-20907-08	BAND	2		-			2200

FIG. 2300

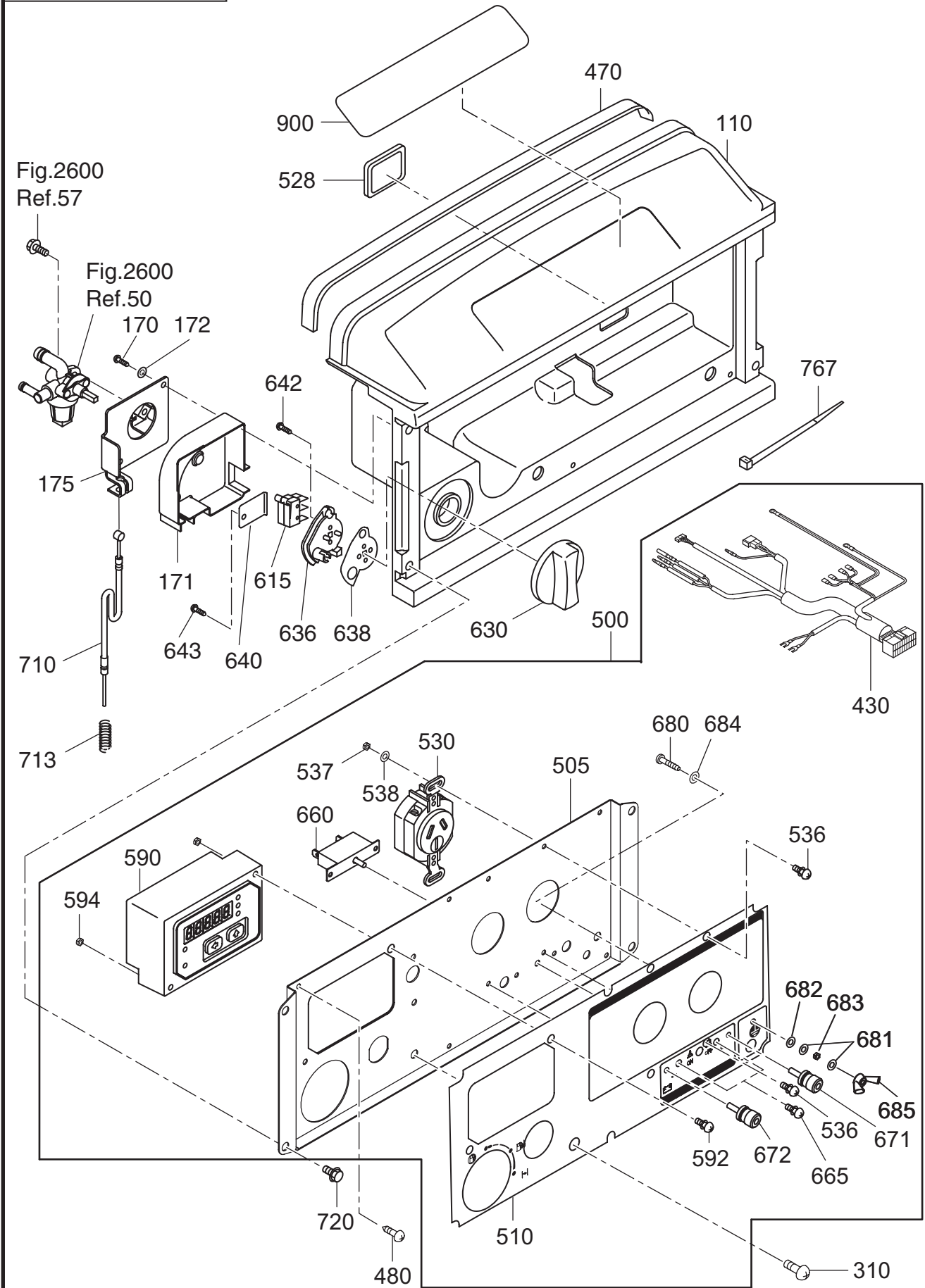


2 3 B A S E, F R A M E

REF.	PARTS NUMBER	PARTS NAME	QTY	REMARKS	CODE NO. FROM-TO	INTERCHANGEABLE PART NUMBER	UNIT PRICE	FIG.
10	34G-30001-01	FRAME CP	1		-			2300
50	34G-53101-01	BASE PLATE (LOWER) CP	1		-			2300
80	34G-59004-03	SPONGE (BASE)	1		-			2300
110	34G-53002-01	BASE PLATE (UPPER) CP	1		-			2300
120	001-14081-60	BOLT AND WASHER AY	4		-			2300
130	34G-59003-03	SPONGE (BASE)	1		-			2300
180	393-30603-01	WHEEL CP	4		-			2300
320	32B-30211-01	MOUNT CP (R)	1		-			2300
321	32B-30212-01	MOUNT CP (L)	1		-			2300
322	32B-30202-01	MOUNT CP (L)	1		-			2300
323	32B-30201-01	MOUNT CP (R)	1		-			2300
330	002-38080-00	FLANGE NUT	8		-			2300
350	34G-55201-01	SHAFT (WHEEL) CP	2		-			2300
370	34G-56002-10	BRAKE -2 AY	1		-			2300
376	34G-56102-13	SPRING (BRAKE)	1		-			2300
380	001-14081-60	BOLT AND WASHER AY	1		-			2300
440	33B-48091-01	EARTH WIRE CP	1		-			2300
441	34B-48091-01	EARTH WIRE CP	1		-			2300
625	34G-55211-21	DRAIN GUIDE CP	1		-			2300
627	011-00600-20	FLANGE BOLT	1	M6X12L	-			2300
680	014-00601-21	SCREW	1	M6X8L	-			2300
782	011-00600-20	FLANGE BOLT	2	M6X12L	-			2300
786	003-11120-00	WASHER	3		-			2300
790	005-10302-50	COTTER PIN	4		-			2300

FIG. 2400

50Hz 240V AUS

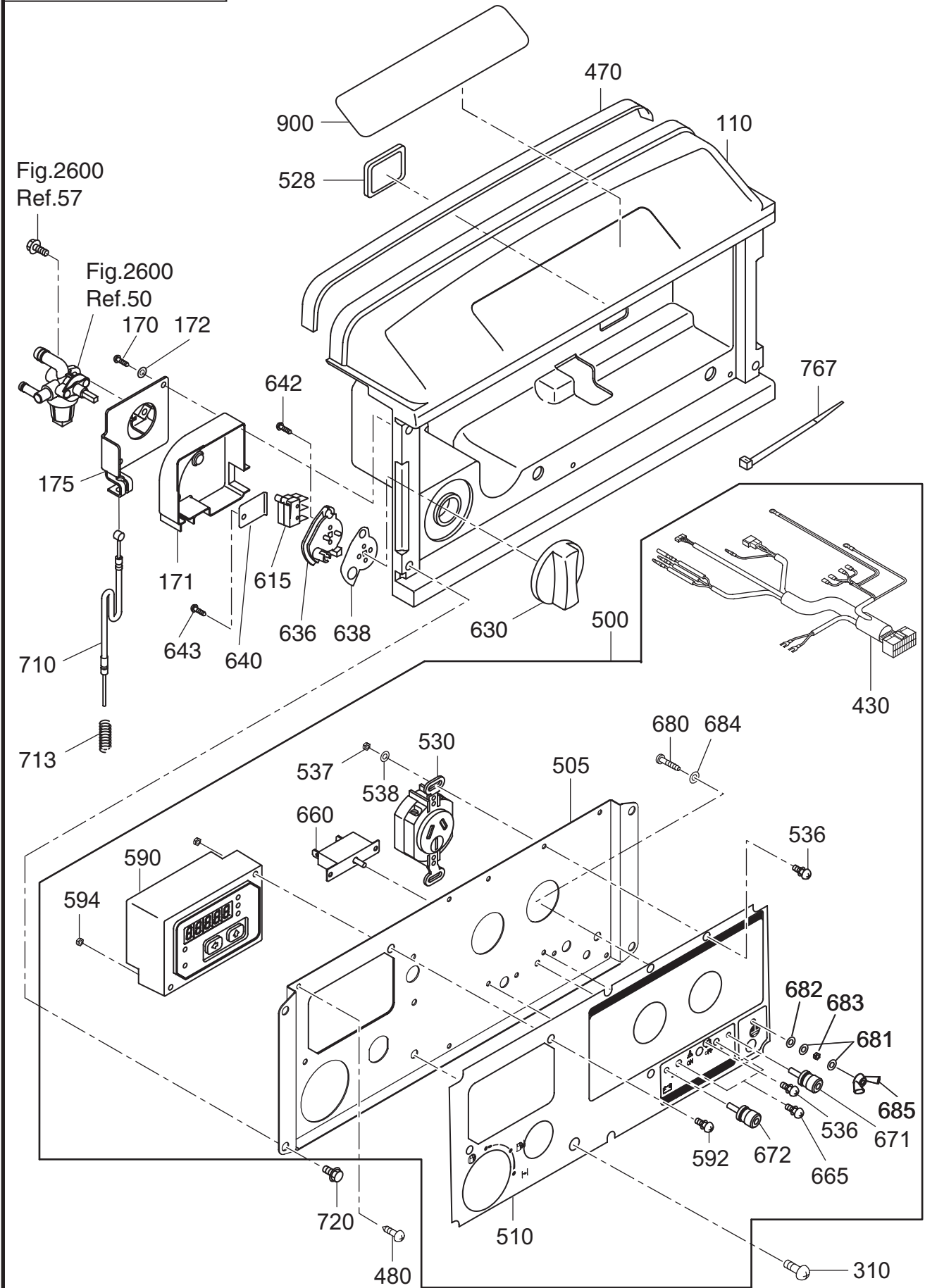


2 4 CONTROL

REF.	PARTS NUMBER	PARTS NAME	QTY	REMARKS	CODE NO. FROM-TO	INTERCHANGEABLE PART NUMBER	UNIT PRICE	FIG.
110	33B-50001-01	FRONT COVER (UPPER) CP	1		-			2400
170	015-00400-70	TAPPING SCREW	2		-			2400
171	33B-46001-03	COVER (COCK)	1		-			2400
172	003-10040-00	WASHER	2		-			2400
175	33B-46012-01	BRACKET (COCK)	1		-			2400
310	004-36061-60	SCREW AND WASHER AY	2		-			2400
430	34B-48012-01	WIRE HARNESS CP	1		-			2400
470	34B-57311-03	SEAL SPONGE FC2	1		-			2400
480	353-49904-08	TAPPING SCREW	6	M4X10L	-			2400
500	34B-41811-00	CONTROL PANEL AY	1		-			2400
505	33B-45011-01	PANEL PLATE CP	1		-			2400
510	34B-49023-03	SHEET (PANEL VR) 23	1		-			2400
528	227-75001-03	GROMMET	1		-			2400
530	353-45719-08	AC CONCENT (AUST)	2		-			2400
536	004-35041-00	SCREW AND WASHER AY	4		-			2400
537	002-17040-00	NUT	4		-			2400
538	003-10040-00	WASHER	4		-			2400
590	KU3-11770-11	MONITOR C/U CP (INV2)	1		-			2400
592	013-10400-80	SCREW AND WASHER AY	2	M4X40L	-			2400
594	002-17040-00	NUT	2		-			2400
615	33K-41811-03	MICRO SWITCH	2		-			2400
630	33K-42010-03	CONTROL DIAL	1		-			2400
636	33K-42020-03	CHOKE REEL	1		-			2400
638	33K-42030-13	PLATE	1		-			2400
640	33B-46015-01	BRACKET (MICRO)	1		-			2400
642	33K-41814-08	TAPPING SCREW	2	M3X16L	-			2400
643	015-00400-70	TAPPING SCREW	1		-			2400
660	352-45620-08	CIRCUIT BREAKER	1	201-10A	-			2400
665	31B-79011-03	SCREW	2		-			2400
671	363-45701-08	TERMINAL BOLT	1	RED	-			2400
672	363-45700-08	TERMINAL BOLT	1	BLACK	-			2400
680	388-88001-03	SCREW AND WASHER AY	1		-			2400
681	332-00050-08	SPRING WASHER	2		-			2400
682	353-49903-08	WASHER	1		-			2400
683	353-49902-08	NUT	1		-			2400
684	003-30050-00	LOCK WASHER	1		-			2400

FIG. 2400

50Hz 240V AUS



2 4 CONTROL

REF.	PARTS NUMBER	PARTS NAME	QTY	REMARKS	CODE NO. FROM-TO	INTERCHANGEABLE PART NUMBER	UNIT PRICE	FIG.
685	353-49901-08	WING NUT	1		-			2400
710	33B-46021-01	CHOKE WIRE CP	1		-			2400
713	226-45001-03	RETURN SPRING	1		-			2400
720	014-00601-90	SCREW	4	M6X20L	-			2400
767	056-30000-20	WIRE BAND	5		-			2400
900	34G-90001-03	LABEL (TRADE MARK)	1		-			2400

FIG. 2500

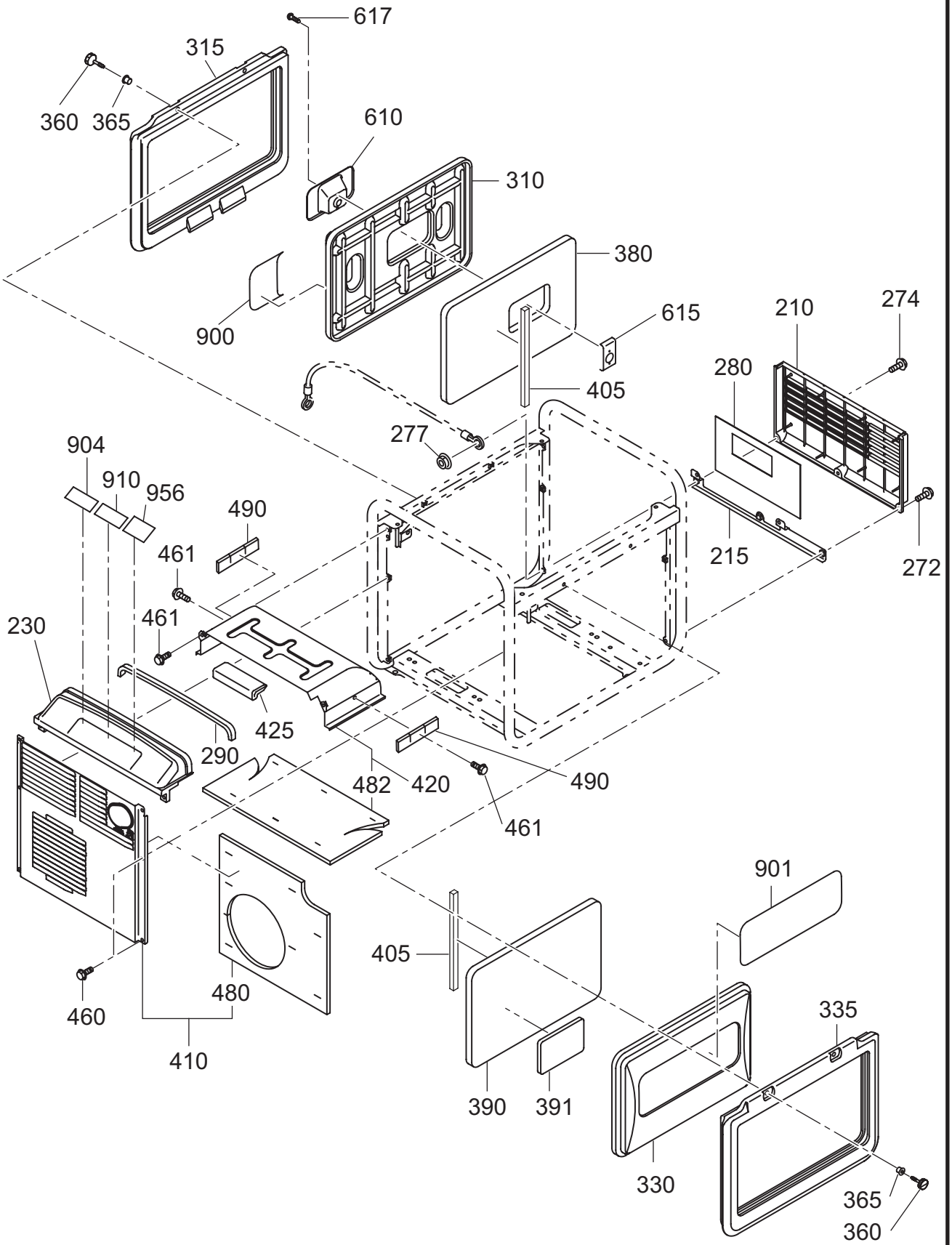
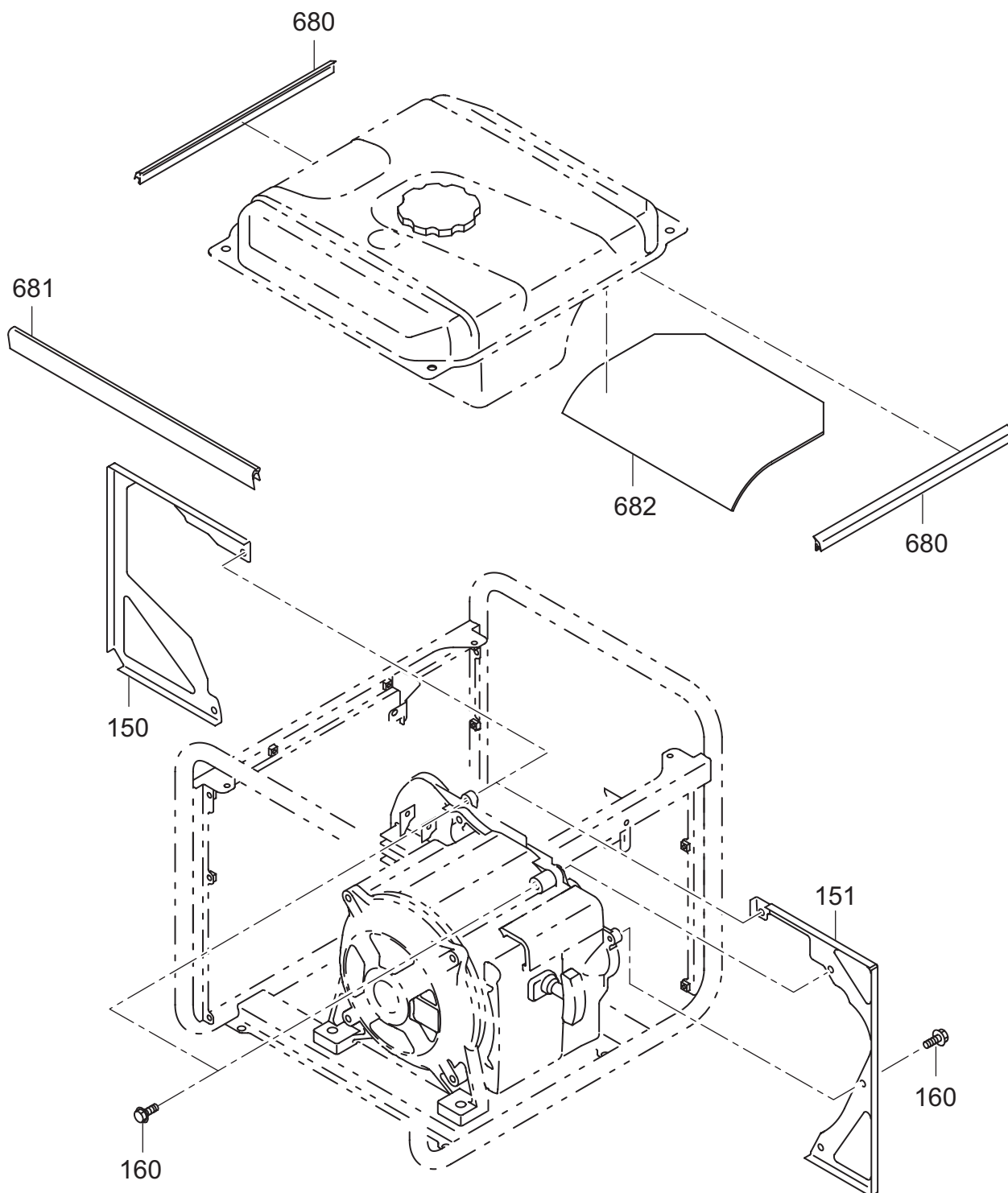


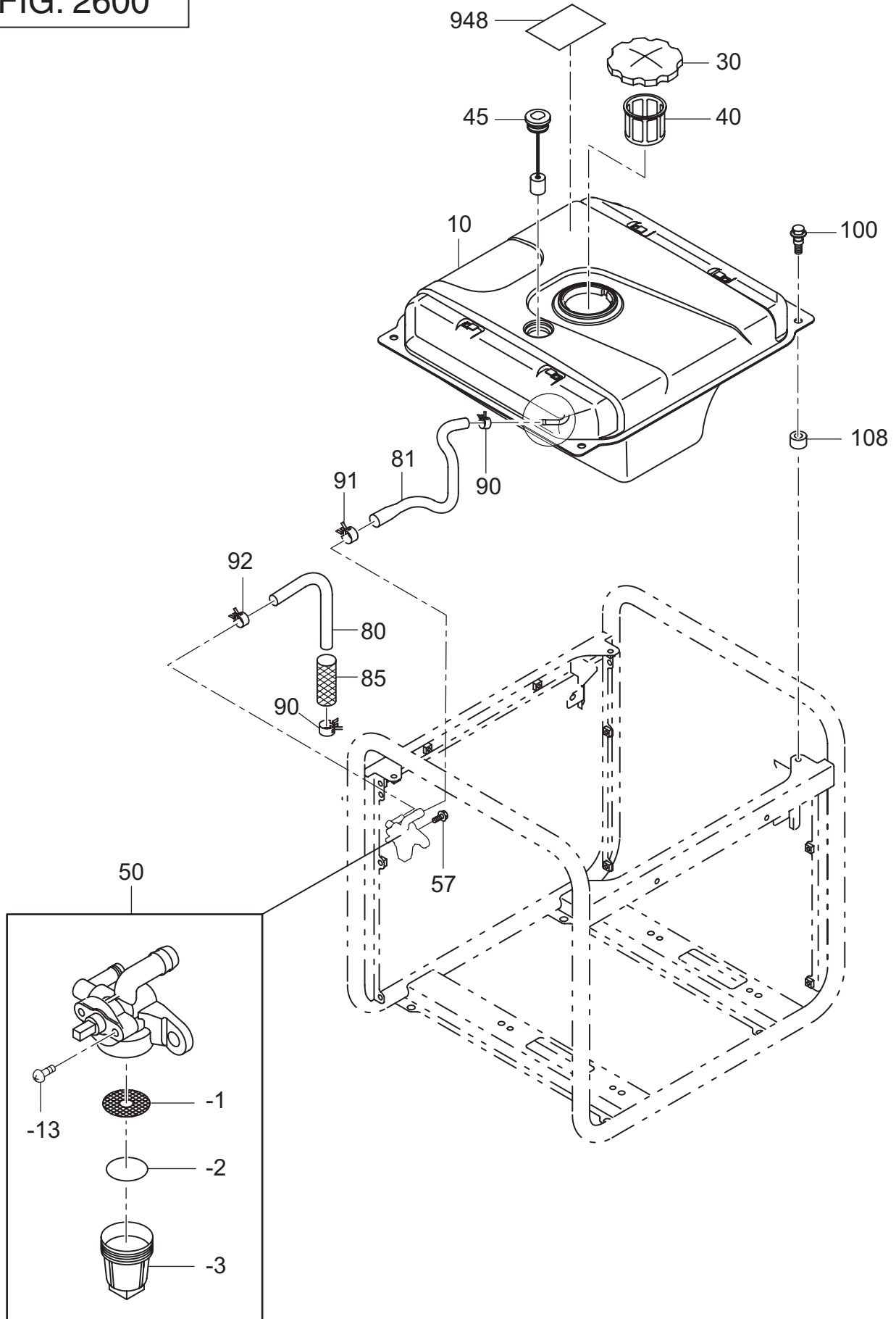
FIG. 2510



2 5 COVER

REF.	PARTS NUMBER	PARTS NAME	QTY	REMARKS	CODE NO. FROM-TO	INTERCHANGEABLE PART NUMBER	UNIT PRICE	FIG.
210	33B-50101-01	FRONT COVER (LOWER) CP	1		-			2500
215	33B-35501-01	BRACKET (COVER) CP	1		-			2500
230	33B-50501-01	REAR COVER (UPPER) CP	1		-			2500
272	011-00601-80	FLANGE BOLT	2	M6X18L	-			2500
274	001-11062-50	BOLT AND WASHER AY	1		-			2500
277	002-38060-00	FLANGE NUT	1		-			2500
280	34B-57310-03	SEAL SPONGE FC1	1		-			2500
290	34B-57311-03	SEAL SPONGE FC2	1		-			2500
310	34G-51001-01	SIDE COVER (R) CP	1		-			2500
315	34G-55101-03	SIDE RUBBER SEAL	1		-			2500
330	34G-51101-01	SIDE COVER (L) CP	1		-			2500
335	34G-55101-03	SIDE RUBBER SEAL	1		-			2500
360	34G-55301-01	COVER BOLT CP	4		-			2500
365	34G-55302-01	SPACER CP	4		-			2500
380	34G-59001-13	SPONGE (S COVER-R)	1		-			2500
390	34G-59002-13	SPONGE (S COVER-L)	1		-			2500
391	34G-59008-03	SPONGE (S COVER-L)	1		-			2500
405	34G-57321-03	SEAL SPONGE (SIDE)	2		-			2500
410	33B-56411-01	MUF COVER (REAR) CP	1		-			2500
420	34G-56351-01	MUF COVER (L) CP	1		-			2500
425	33B-57005-03	SEAL RUBBER	1		-			2500
460	011-00601-80	FLANGE BOLT	6	M6X18L	-			2500
461	011-00600-80	FLANGE BOLT	4	M6X12L	-			2500
480	33B-57105-03	GLASS WOOL (M-COVER)	1		-			2500
482	33B-57103-03	GLASS WOOL	1		-			2500
490	34G-57322-03	SEAL SPONGE (MF17.21)	2		-			2500
610	34G-55001-01	COVER (RECOIL KNOB) CP	1		-			2500
615	34G-55002-01	PLATE CP	1		-			2500
617	004-35061-00	SCREW AND WASHER AY	2		-			2500
900	34G-91001-03	LABEL (TRADE MARK-R)	1		-			2500
901	34G-92001-03	LABEL (TRADE MARK-L)	1		-			2500
904	34G-96007-03	LABEL (SPEC)	1		-			2500
910	33K-94002-03	LABEL (CAUTION)	1		-			2500
956	073-20045-00	LABEL (HOT&GAS)	1		-			2500
150	33B-56101-11	SEPARATOR (A/C)	1		-			2510
151	33B-56102-11	SEPARATOR (SEL)	1		-			2510

FIG. 2600



2 6 FUAL TANK

REF.	PARTS NUMBER	PARTS NAME	QTY	REMARKS	CODE NO. FROM-TO	INTERCHANGEABLE PART NUMBER	UNIT PRICE	FIG.
10	33B-60104-01	FUEL TANK CP	1		-			2600
30	043-05900-11	FUEL TANK CAP AY	1		-			2600
40	064-15400-11	FUEL FILTER	1		-			2600
45	064-80015-00	FUEL GAUGE CP	1		-			2600
50	064-20103-00	FUEL STRAINER AY	1		-			2600
-1	064-20093-20	FILTER	1		-			2600
-2	064-20064-10	GASKET, O-RING	1		-			2600
-3	064-20078-10	CUP	1		-			2600
-13	064-20047-90	SCREW	2		-			2600
57	011-00600-20	FLANGE BOLT	1	M6X12L	-			2600
80	085-10600-00	RUBBER PIPE	1		-			2600
81	33B-66001-03	RUBBER PIPE	1		-			2600
85	251-17302-03	MESH PROTECTOR	1		-			2600
90	056-11100-20	HOSE CLAMP	2	11D	-			2600
91	056-11300-10	HOSE CLAMP	1	13. 2D	-			2600
92	056-11000-30	HOSE CLAMP	1	10D	-			2600
100	011-00602-20	FLANGE BOLT	4		-			2600
108	391-39000-13	RUBBER (TANK)	4		-			2600
948	073-20045-10	LABEL (SYMBOL-TANK)	1		-			2600

FIG. 2900

