

Model RG2800iS

For USA

PARTS CATALOG

No. 2

**Spec. No. RAS28023010
(E/G Spec. No. EX170D20350)**

FIG. 100

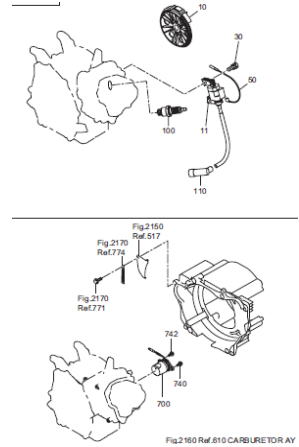
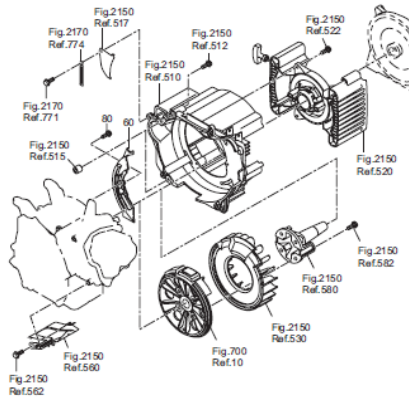
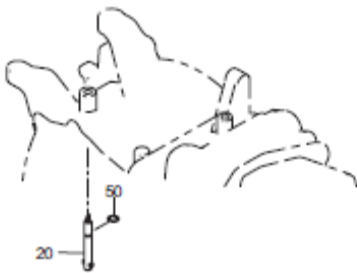
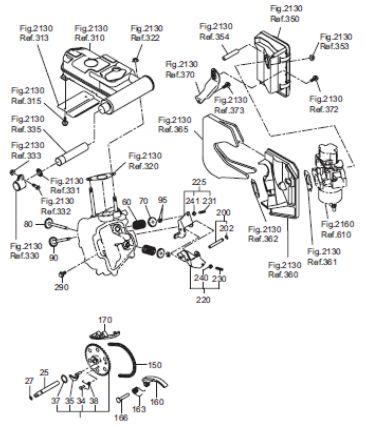
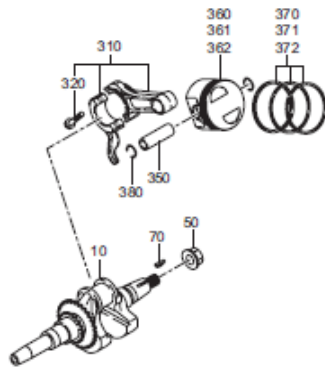
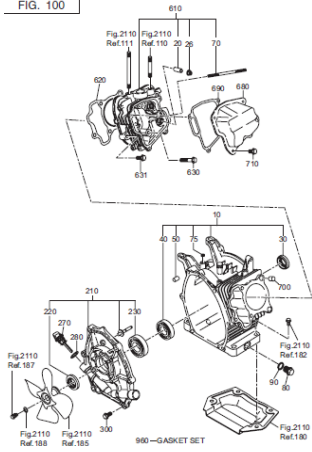


FIG. 2110

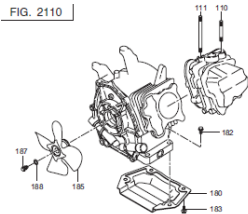


FIG. 2130

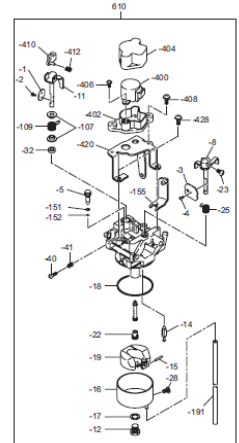
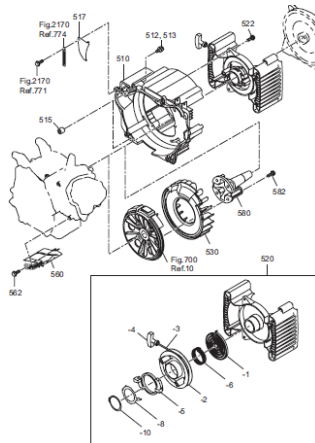
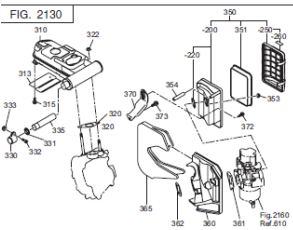


Fig.2150 Ref.517

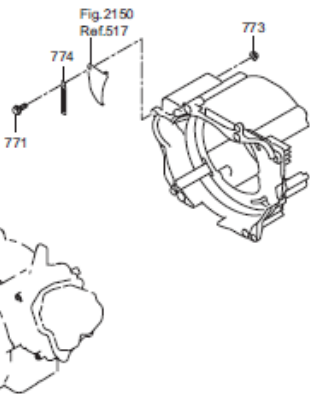


FIG. 100

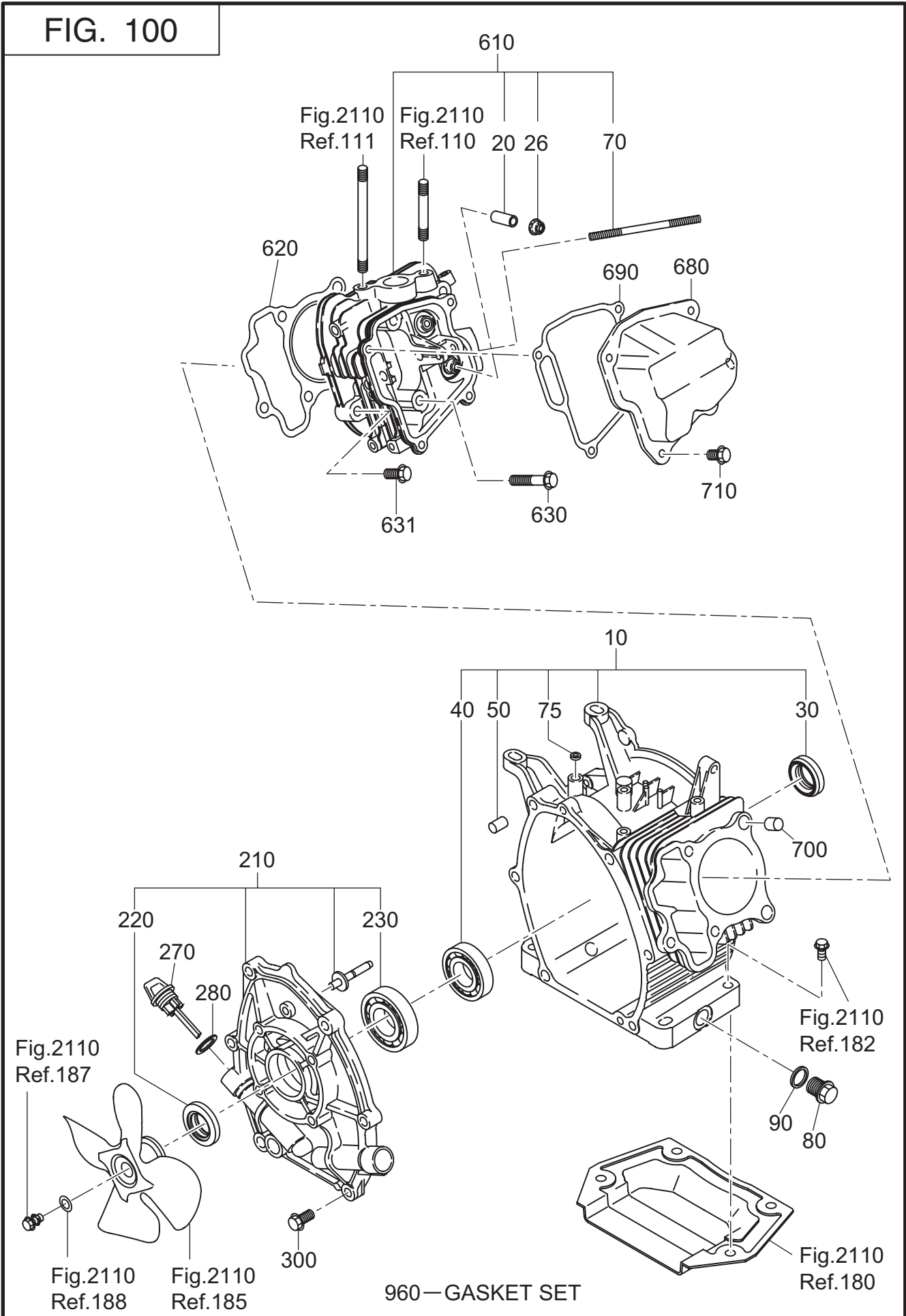


FIG. 200

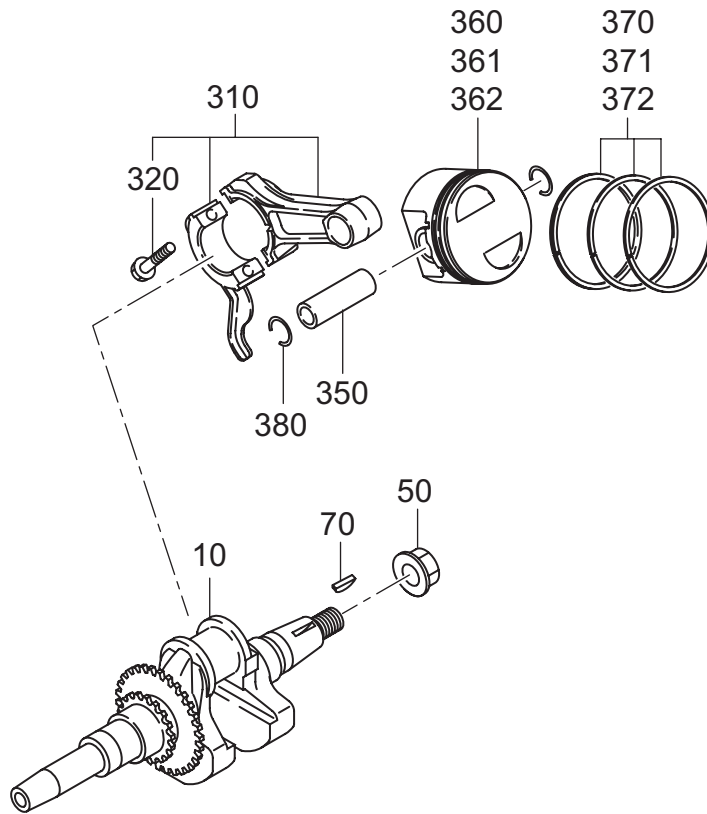


FIG. 300

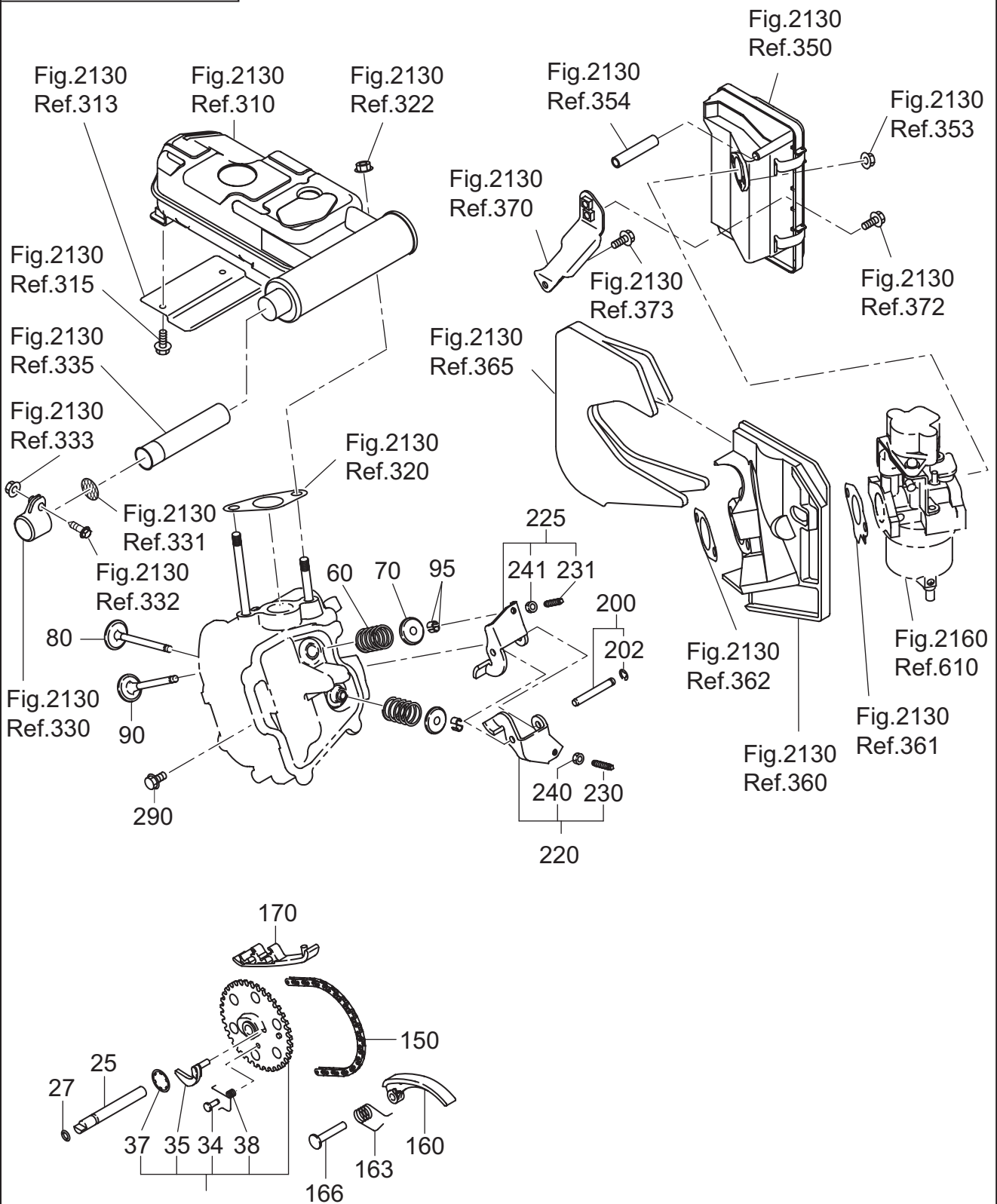


FIG. 400

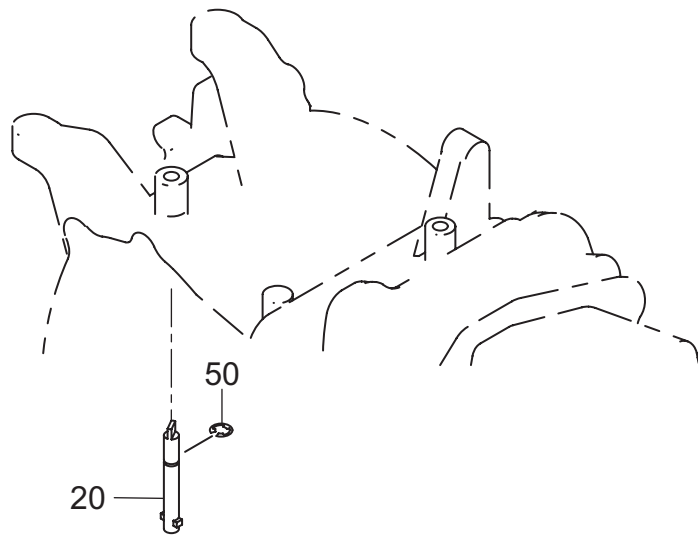


FIG. 500

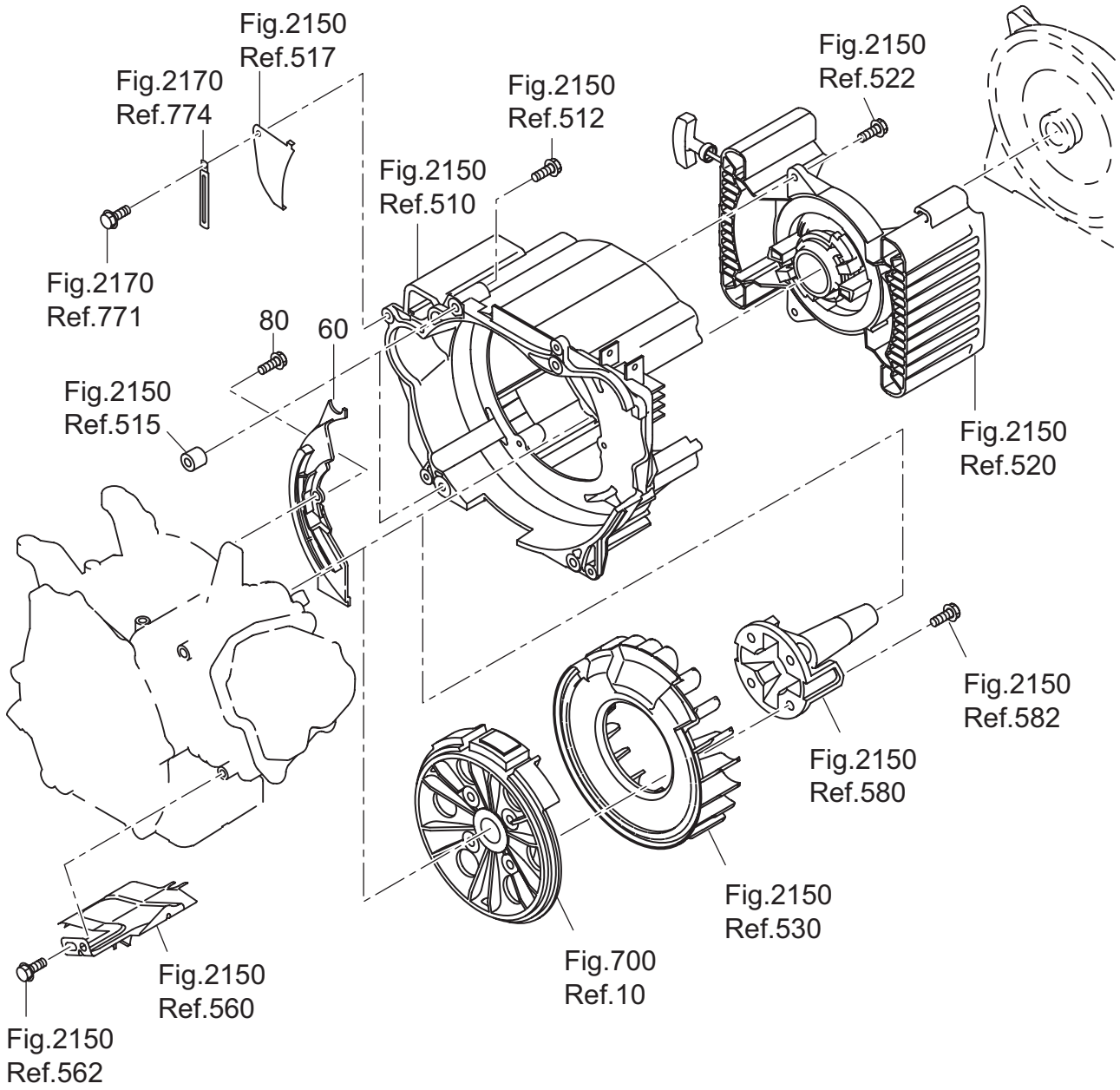


FIG. 700

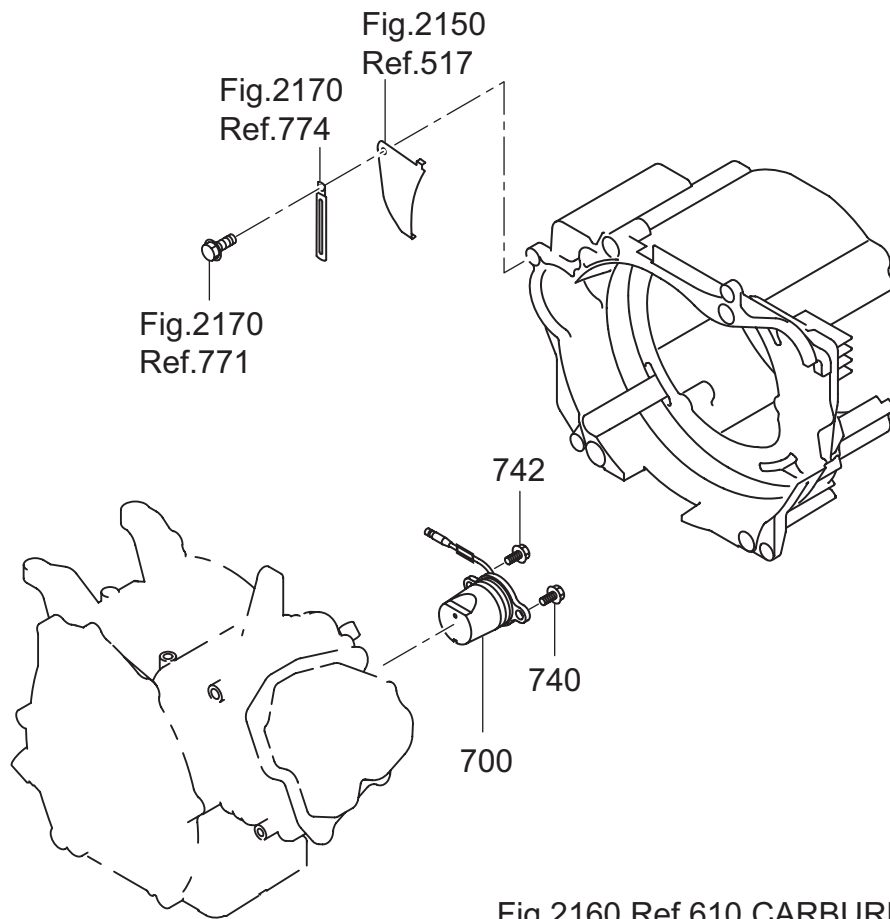
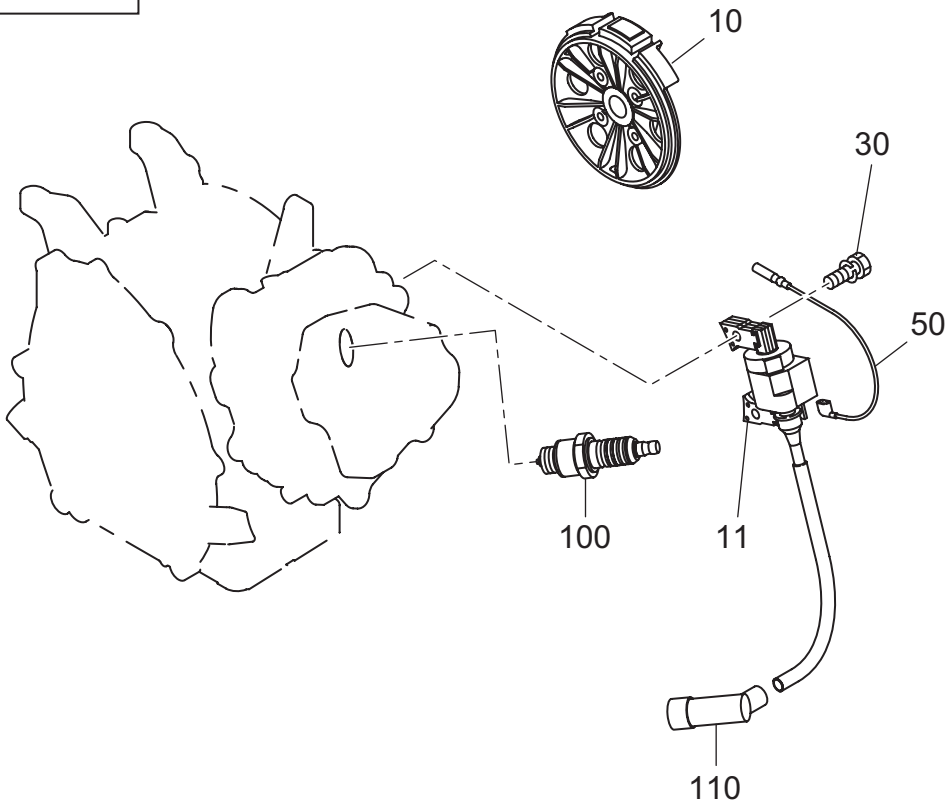


Fig.2160 Ref.610 CARBURETOR AY

FIG. 2110

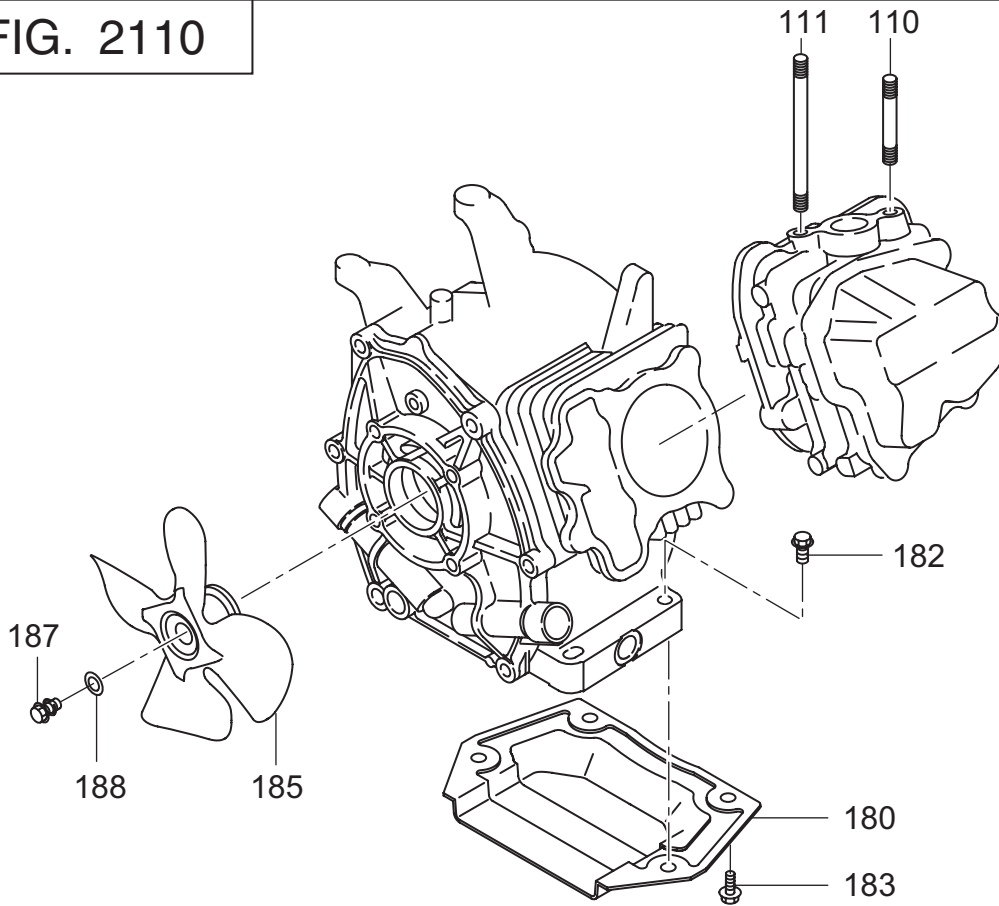


FIG. 2130

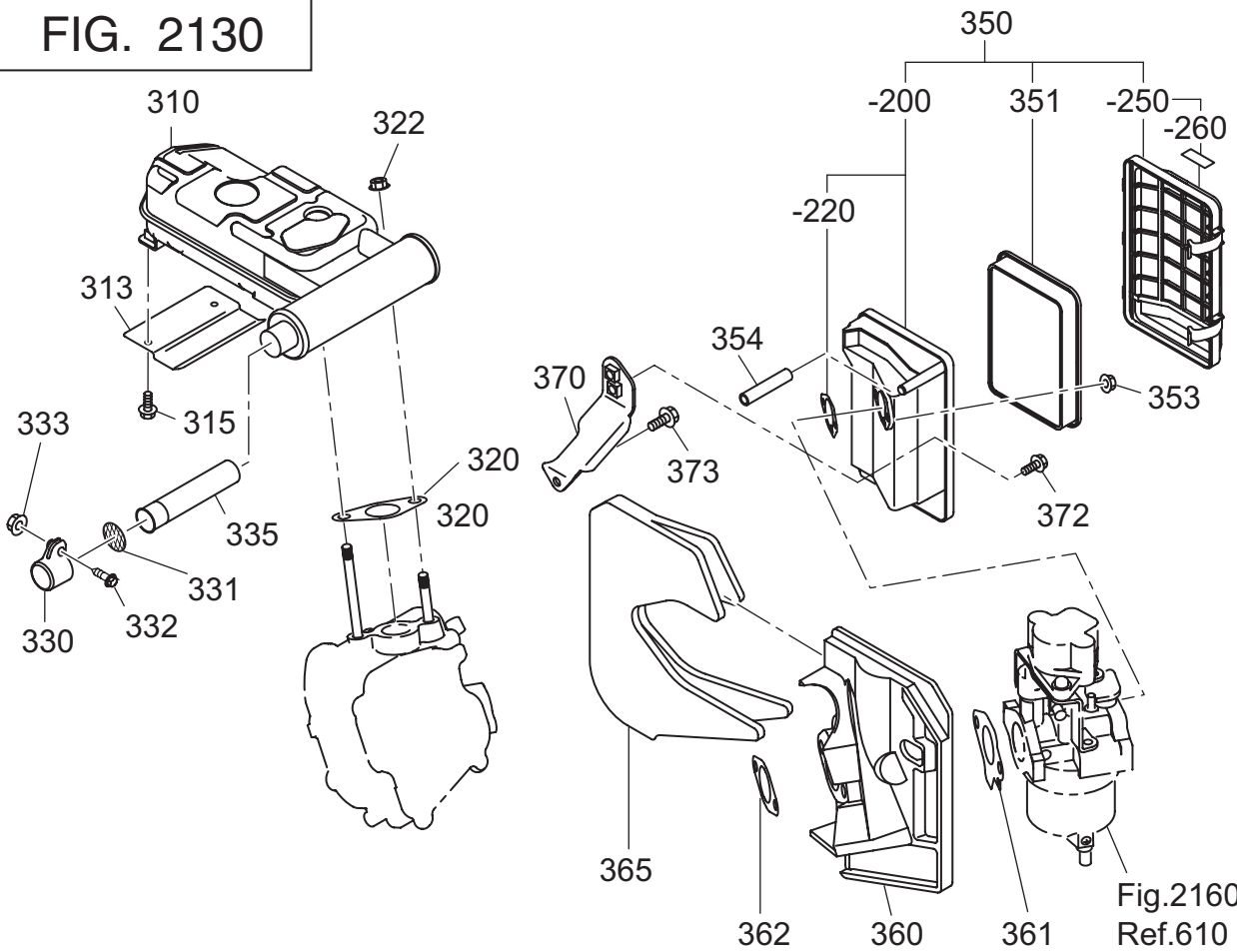


FIG. 2150

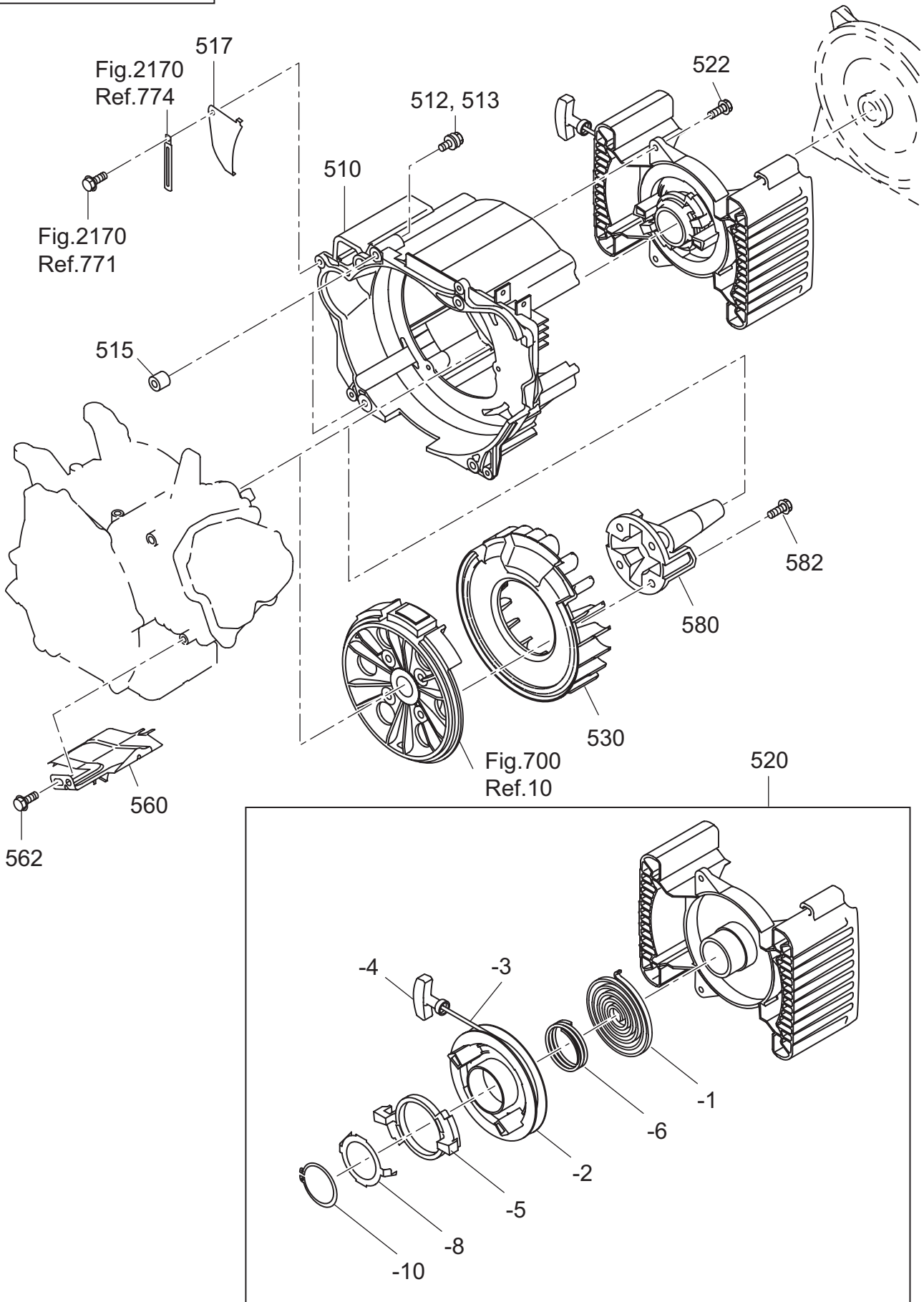


FIG. 2160

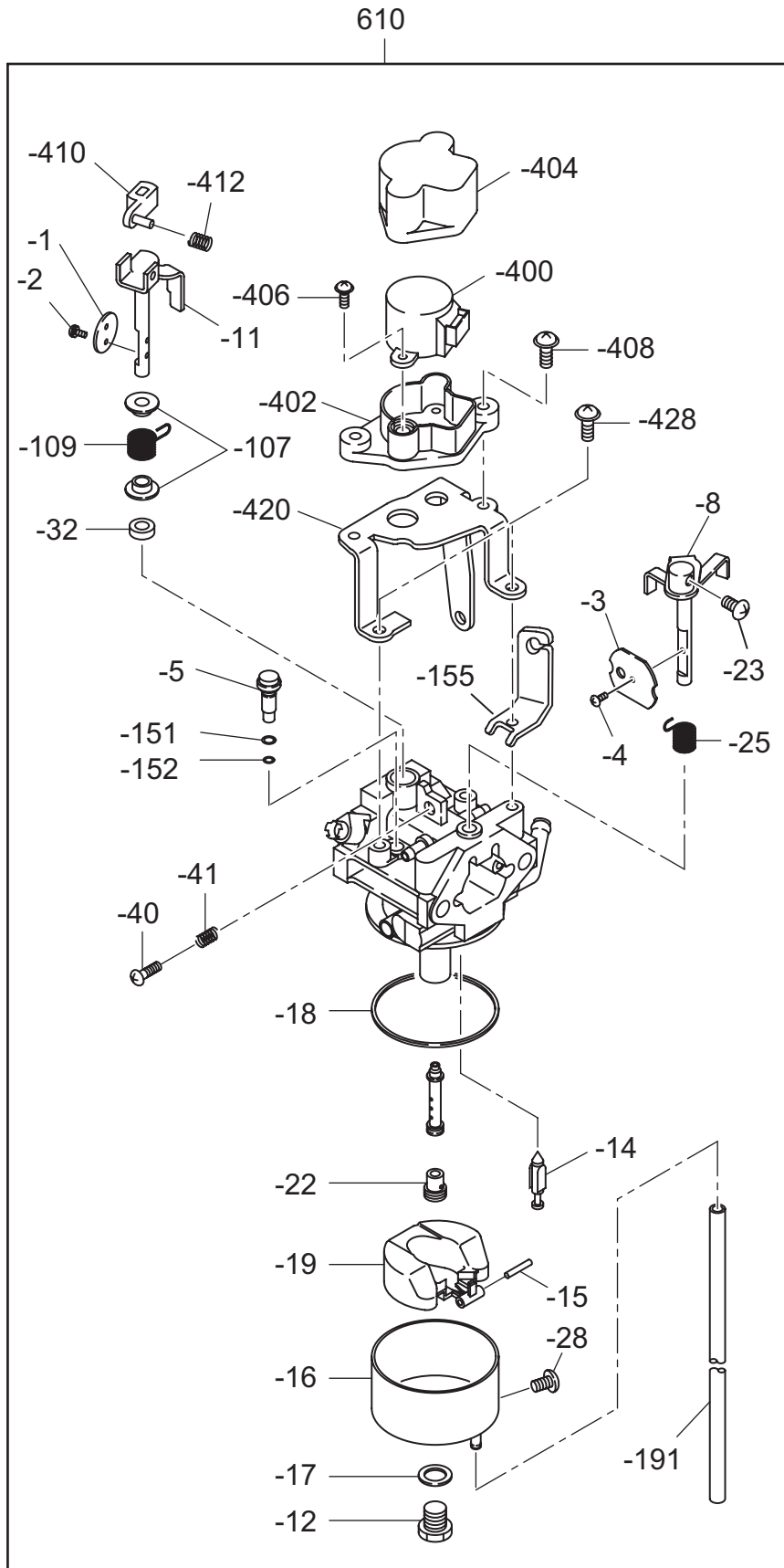
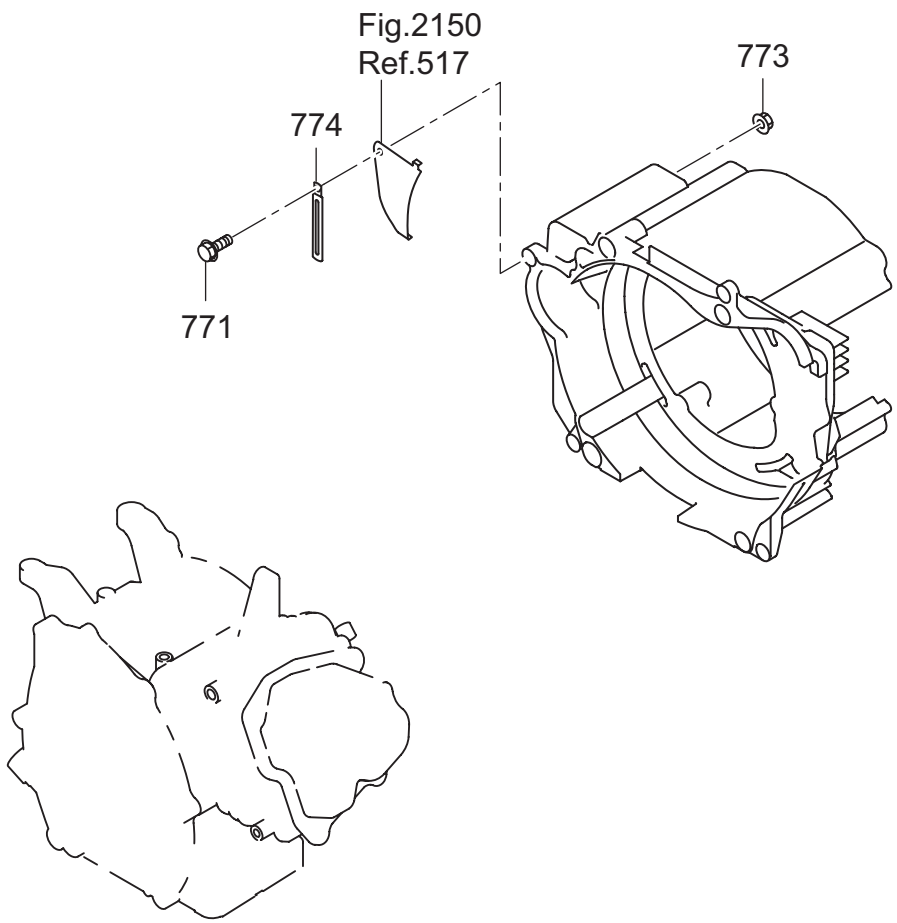


FIG. 2170



2 1 ENGINE

REF.	PARTS NUMBER	PARTS NAME	QTY	REMARKS	CODE NO. FROM-TO	INTERCHANGEABLE PART NUMBER	UNIT PRICE	FIG.
110	010-50802-90	STUD	1		-			2110
111	010-50805-10	STUD	1	M8X112L	-			2110
180	33B-35001-11	BOTTOM EXT. PLATE CP	1		-			2110
182	011-00802-70	FLANGE BOLT	2	M8X33L	-			2110
183	011-00801-50	FLANGE BOLT	2	M8X12L	-			2110
185	34G-54101-01	FAN (SILENT) CP	1		-			2110
187	001-14082-50	BOLT AND WASHER AY	1		-			2110
188	020-00800-80	WASHER	1		-			2110
310	277-30412-21	MUFFLER CP (SILENT)	1		-			2130
313	33B-52601-03	BAFFLE	1		-			2130
315	011-00601-60	FLANGE BOLT	2	M6X23L	-			2130
320	277-35201-13	GASKET (MUFFLER)	1		-			2130
322	980-20082-80	FLANGE NUT	2	M8	-			2130
330	277-37210-03	TAIL SCREEN COVER	1		-			2130
331	277-37220-03	SCREEN	1		-			2130
332	004-35051-60	SCREW AND WASHER AY	1		-			2130
333	002-18050-00	NUT	1		-			2130
335	279-37603-01	SPARK ARRESTER CP	1		-			2130
350	277-32622-20	AIR CLEANER AY	1		-			2130
350 -200	277-32632-08	BASE CP	1		-			2130
350 -220	277-32604-08	PACKING	1		-			2130
350 -250	277-32643-18	COVER CP	1		-			2130
350 -260	073-20044-30	LABEL (CHOKE)	1		-			2130
351	277-32661-17	ELEMENT SET	1		-			2130
353	002-38060-00	FLANGE NUT	2		-			2130
354	085-10800-00	RUBBER PIPE	1	8DX11D	-			2130
360	277-32910-03	INSULATOR	1		-			2130
361	277-35902-J3	GASKET 1 (INSULATOR)	1		-			2130
362	277-35903-J3	GASKET 2 (INSULATOR)	1		-			2130
365	277-39701-03	SPONGE (INSULATOR)	1		-			2130
370	277-39004-01	BRACKET (A/C) 1 CP	1		-			2130
372	011-00600-50	FLANGE BOLT	1	M6X20L	-			2130
373	011-00600-20	FLANGE BOLT	1	M6X12L	-			2130
510	277-52001-13	BLOWER HOUSING	1		-			2150
512	001-14063-50	BOLT AND WASHER AY	1		-			2150
513	001-14064-50	BOLT AND WASHER AY	3		-			2150

2 1 ENGINE

REF.	PARTS NUMBER	PARTS NAME	QTY	REMARKS	CODE NO. FROM-TO	INTERCHANGEABLE PART NUMBER	UNIT PRICE	FIG.
515	980-40081-10	STR PIN -8X10	2	M6	-			2150
517	277-56001-03	PLATE 3	1		-			2150
520	277-50401-10	RECOIL STARTER AY	1		-			2150
520 -1	277-50402-08	SPIRAL SPRING	1		-			2150
520 -2	277-50403-08	REEL	1		-			2150
520 -3	277-50408-08	STARTER PORE	1		-			2150
520 -4	277-50409-08	STARTER KNOB	1		-			2150
520 -5	277-50404-08	RACHET	1		-			2150
520 -6	277-50405-08	FRICITION SPRING	1		-			2150
520 -8	277-50407-08	FRICITION PLATE	1		-			2150
520 -10	277-50406-08	RETAINING RING	1		-			2150
522	011-00601-40	FLANGE BOLT	3	M6X18L	-			2150
530	277-54101-23	COOLING BLOWER	1		-			2150
560	277-52702-03	BAFFLE 2 (HEAD)	1		-			2150
562	011-00600-20	FLANGE BOLT	1	M6X12L	-			2150
580	277-24401-03	DRIVING SHAFT	1		-			2150
582	011-01001-10	FLANGE BOLT	4	M8X27L	-			2150
610	277-62330-00	CARBURETOR AY	1		-			2160
610 -1	277-62536-08	THROTTLE VALVE	1		-			2160
610 -2	284-62455-08	SCREW	2		-			2160
610 -3	284-62525-08	CHOKE VALVE	1		-			2160
610 -4	284-62455-08	SCREW	1		-			2160
610 -5	277-62422-08	SLOW JET	1		-			2160
610 -8	284-62520-08	CHOKE LEVER	1		-			2160
610 -11	277-62532-08	THROTTLE SHAFT	1		-			2160
610 -12	284-62355-08	BOLT	1		-			2160
610 -14	279-62500-08	NEEDLE	1		-			2160
610 -15	284-62515-08	PIN	1		-			2160
610 -16	284-62550-08	FLOAT BODY	1		-			2160
610 -17	251-62350-08	PACKING	1		-			2160
610 -18	284-62540-08	CHAMBER PACKING	1		-			2160
610 -19	284-62505-08	FLOAT AY	1		-			2160
610 -22	277-62409-08	MAIN JET	1		-			2160
610 -23	284-62456-08	SCREW	1		-			2160
610 -25	284-62445-08	SPRING (CHOKE)	1		-			2160
610 -28	251-62466-08	DRAIN SCREW	1		-			2160

FIG. 2170

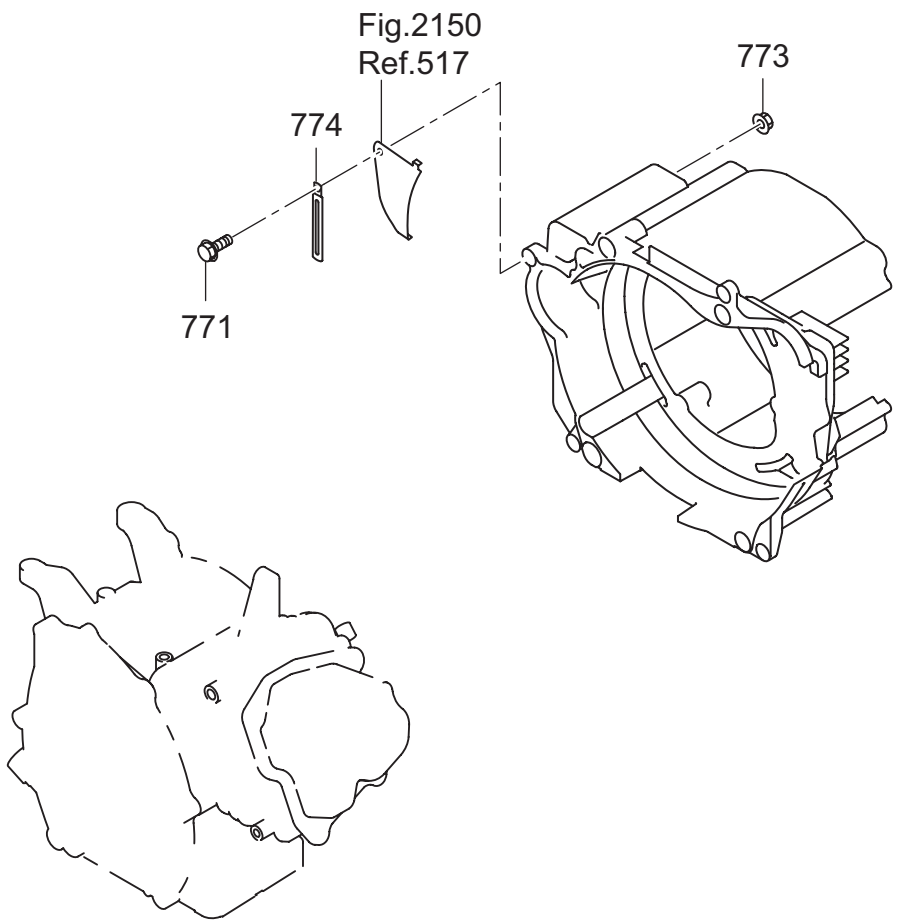


FIG. 2200

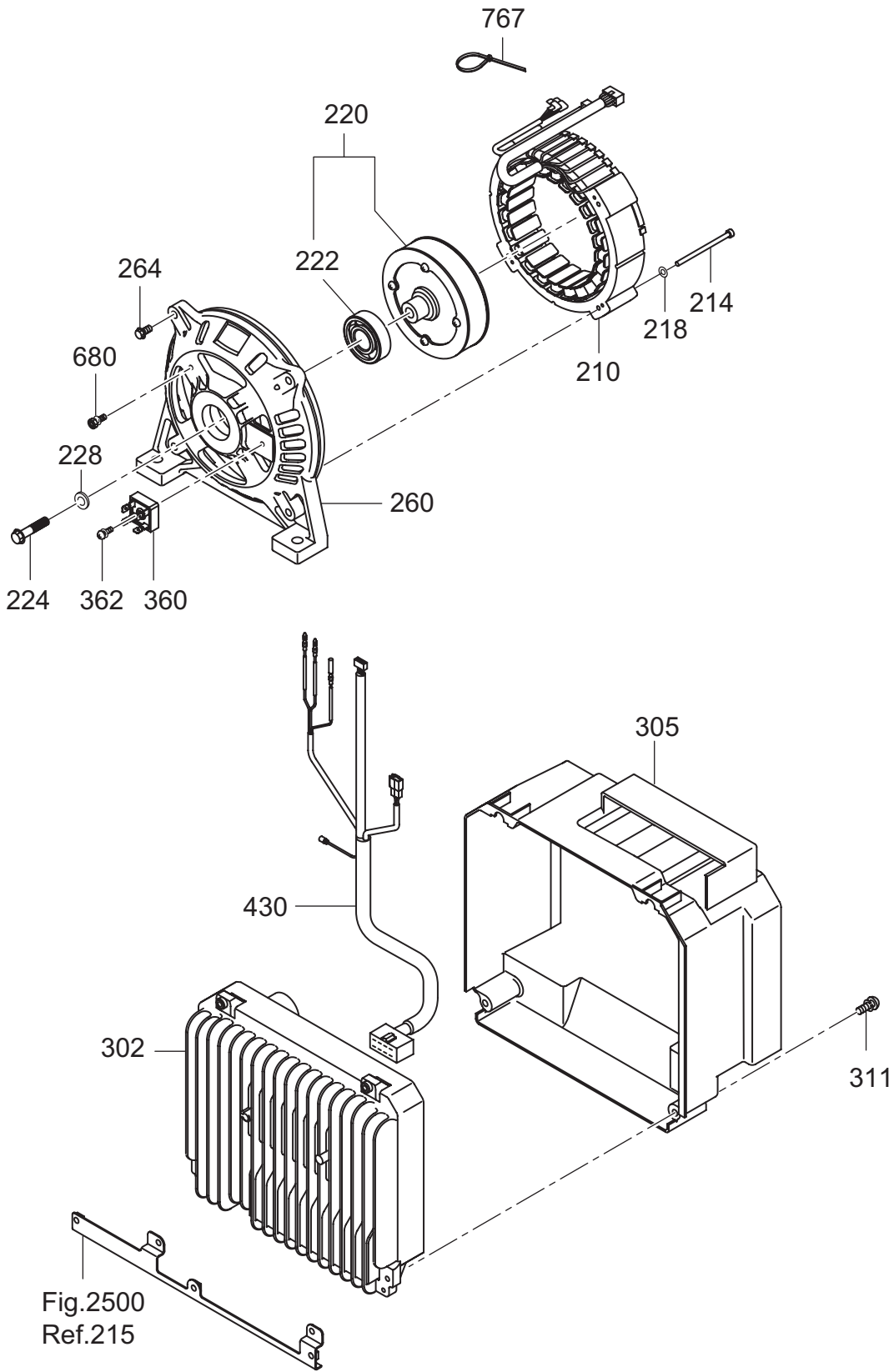
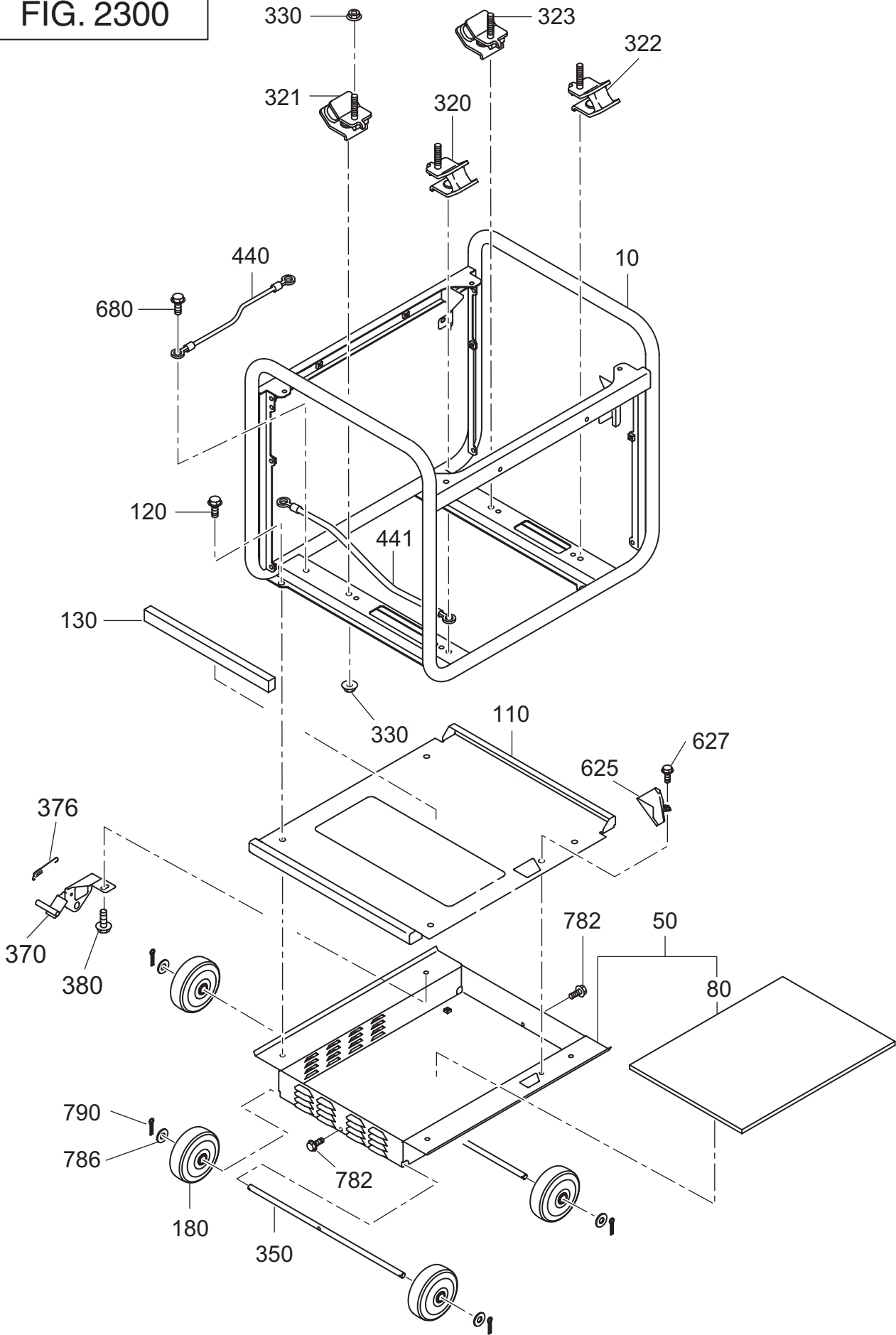


FIG. 2300



2 4 CONTROL

REF.	PARTS NUMBER	PARTS NAME	QTY	REMARKS	CODE NO. FROM-TO	INTERCHANGEABLE PART NUMBER	UNIT PRICE	FIG.
110	33B-50001-01	FRONT COVER (UPPER) CP	1		-			2400
170	015-00400-70	TAPPING SCREW	2		-			2400
171	33B-46001-03	COVER (COCK)	1		-			2400
172	003-10040-00	WASHER	2		-			2400
175	33B-46012-11	BRACKET (COCK)	1		-			2400
310	004-36061-60	SCREW AND WASHER AY	2		-			2400
430	34B-48011-01	WIRE HARNESS CP	1		-			2400
438	34G-49001-03	CORRUGATED TUBE	1		-			2400
470	34B-57311-03	SEAL SPONGE FC2	1		-			2400
471	34G-47001-03	SEAL SPONGE (C. BOX 1)	1		-			2400
480	353-49904-08	TAPPING SCREW	6	M4X10L	-			2400
500	34B-41921-30	CONTROL PANEL AY	1		-			2400
505	33B-45013-01	PANEL PLATE CP	1		-			2400
510	34B-49019-13	SHEET (PANEL VR) 19	1		-			2400
528	227-75001-03	GROMMET	1		-			2400
530	388-85003-01	AC CONCENT (GFCI)	1	125V-20A	-			2400
531	356-45711-08	AC CONCENT (NEMA)	1	125V-30A	-			2400
535	004-35041-00	SCREW AND WASHER AY	2		-			2400
536	356-59937-08	SCREW	2		-			2400
537	002-27040-00	NUT	2		-			2400
538	003-10040-00	WASHER	2		-			2400
540	326-00335-08	SPRING WASHER	2		-			2400
590	KU3-11760-11	MONITOR C/U CP (INV1)	1		-			2400
592	013-10400-80	SCREW AND WASHER AY	2	M4X40L	-			2400
594	002-17040-00	NUT	2		-			2400
615	33K-41811-03	MICRO SWITCH	2		-			2400
630	33K-42010-03	CONTROL DIAL	1		-			2400
636	33K-42020-03	CHOKE REEL	1		-			2400
638	33K-42030-23	PLATE	1		-			2400
640	33B-46015-01	BRACKET (MICRO)	1		-			2400
642	33K-41814-08	TAPPING SCREW	2		-			2400
643	015-00400-70	TAPPING SCREW	1	M3X16L	-			2400
660	352-45620-08	CIRCUIT BREAKER	1	201-10A	-			2400
665	31B-79011-03	SCREW	2		-			2400
671	363-45701-08	TERMINAL BOLT	1	RED	-			2400
672	363-45700-08	TERMINAL BOLT	1	BLACK	-			2400

FIG. 2500

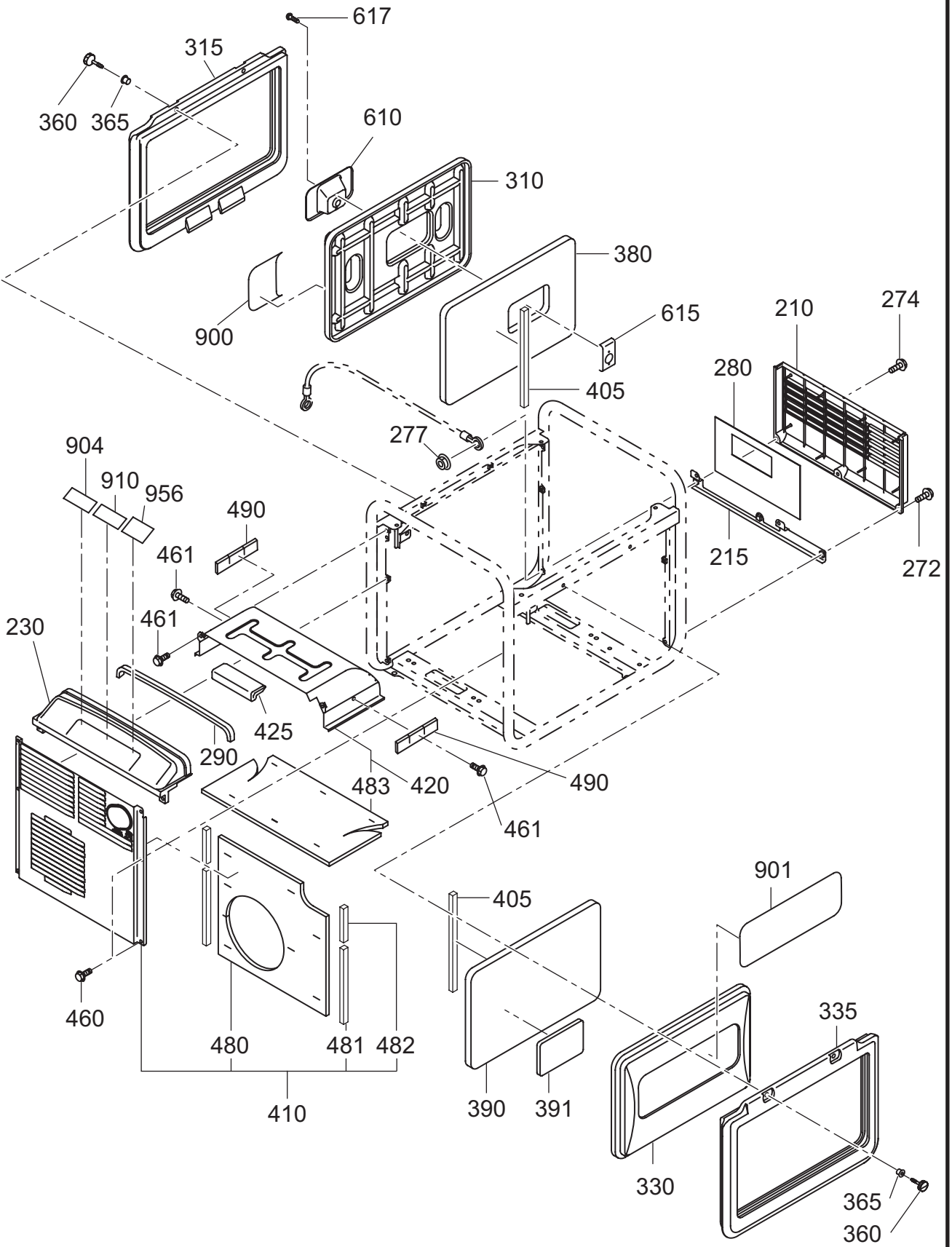
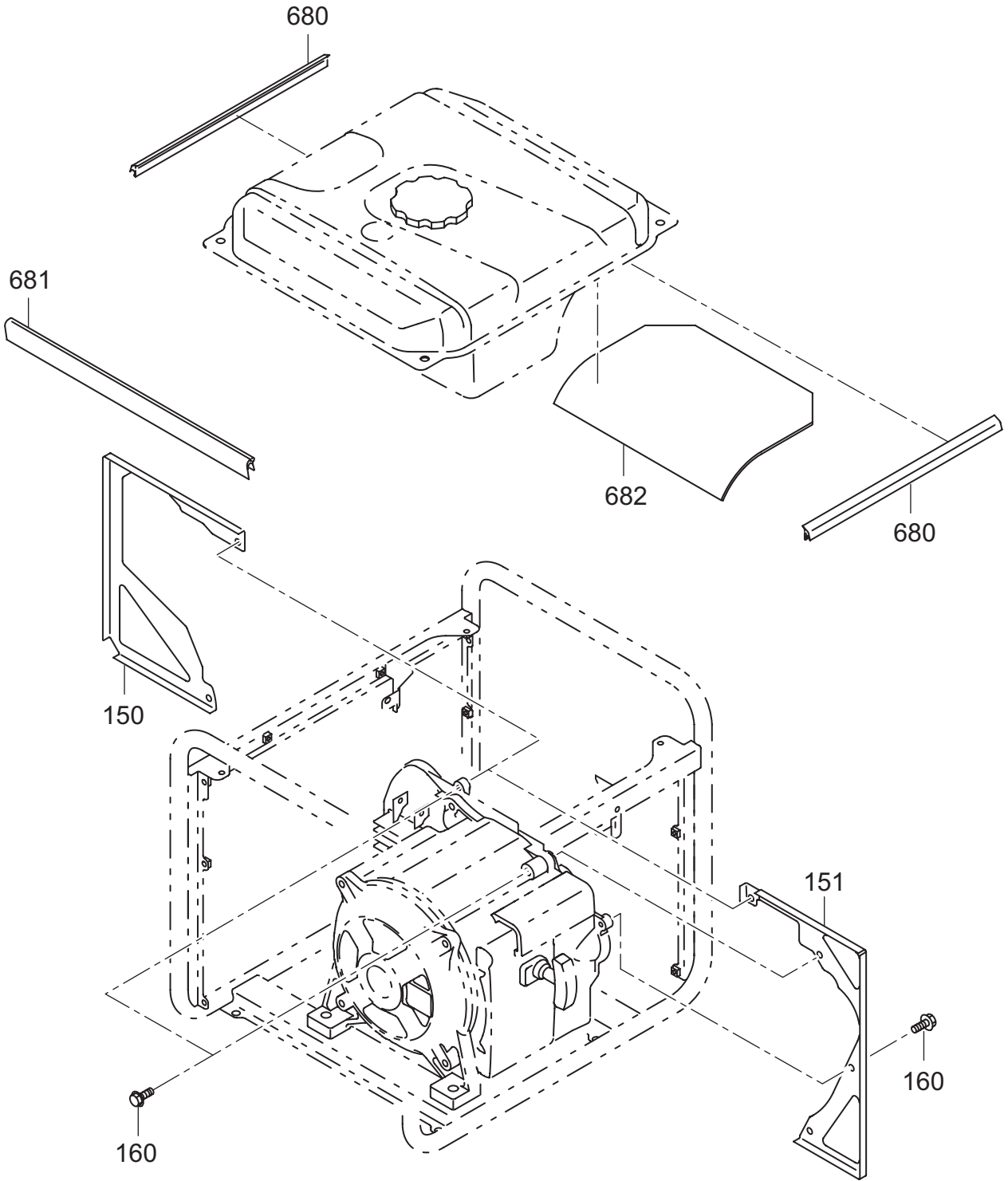


FIG. 2510



2 5 COVER

REF.	PARTS NUMBER	PARTS NAME	QTY	REMARKS	CODE NO. FROM-TO	INTERCHANGEABLE PART NUMBER	UNIT PRICE	FIG.
210	33B-50101-01	FRONT COVER (LOWER) CP	1		-			2500
215	33B-35501-01	BRACKET (COVER) CP	1		-			2500
230	33B-50501-01	REAR COVER (UPPER) CP	1		-			2500
272	011-00601-80	FLANGE BOLT	2	M6X18L	-			2500
274	001-11062-50	BOLT AND WASHER AY	1		-			2500
277	002-38060-00	FLANGE NUT	1		-			2500
280	34B-57310-03	SEAL SPONGE FC1	1		-			2500
290	34B-57311-03	SEAL SPONGE FC2	1		-			2500
310	34G-51001-01	SIDE COVER (R) CP	1		-			2500
315	34G-55101-03	SIDE RUBBER SEAL	1		-			2500
330	34G-51101-01	SIDE COVER (L) CP	1		-			2500
335	34G-55101-03	SIDE RUBBER SEAL	1		-			2500
360	34G-55301-01	COVER BOLT CP	4		-			2500
365	34G-55302-01	SPACER CP	4		-			2500
380	34G-59001-13	SPONGE (S COVER-R)	1		-			2500
390	34G-59002-13	SPONGE (S COVER-L)	1		-			2500
391	34G-59008-03	SPONGE (S COVER-L)	1		-			2500
405	34G-57321-03	SEAL SPONGE (SIDE)	2		-			2500
410	33B-56411-11	MUF COVER (REAR) CP	1		-			2500
420	34G-56351-01	MUF COVER (L) CP	1		-			2500
425	33B-57005-03	SEAL RUBBER	1		-			2500
460	011-00601-80	FLANGE BOLT	6	M6X18L	-			2500
461	011-00600-80	FLANGE BOLT	4	M6X12L	-			2500
480	33B-57105-03	GLASS WOOL (M-COVER)	1		-			2500
481	34G-57331-03	SPONGE 1 (M. COVER)	2		-			2500
482	34G-57332-03	SPONGE 2 (M. COVER)	2		-			2500
483	33B-57103-03	GLASS WOOL	1		-			2500
490	34G-57322-03	SEAL SPONGE (MF17. 21)	2		-			2500
610	34G-55001-01	COVER (RECOIL KNOB) CP	1		-			2500
615	34G-55002-01	PLATE CP	1		-			2500
617	004-35061-00	SCREW AND WASHER AY	2		-			2500
900	34G-91001-03	LABEL (TRADE MARK-R)	1		-			2500
901	34G-92001-03	LABEL (TRADE MARK-L)	1		-			2500
904	34G-96004-03	LABEL (SPEC)	1		-			2500
910	33K-94002-03	LABEL (CAUTION)	1		-			2500
956	073-20045-00	LABEL (HOT&GAS)	1		-			2500

FIG. 2600

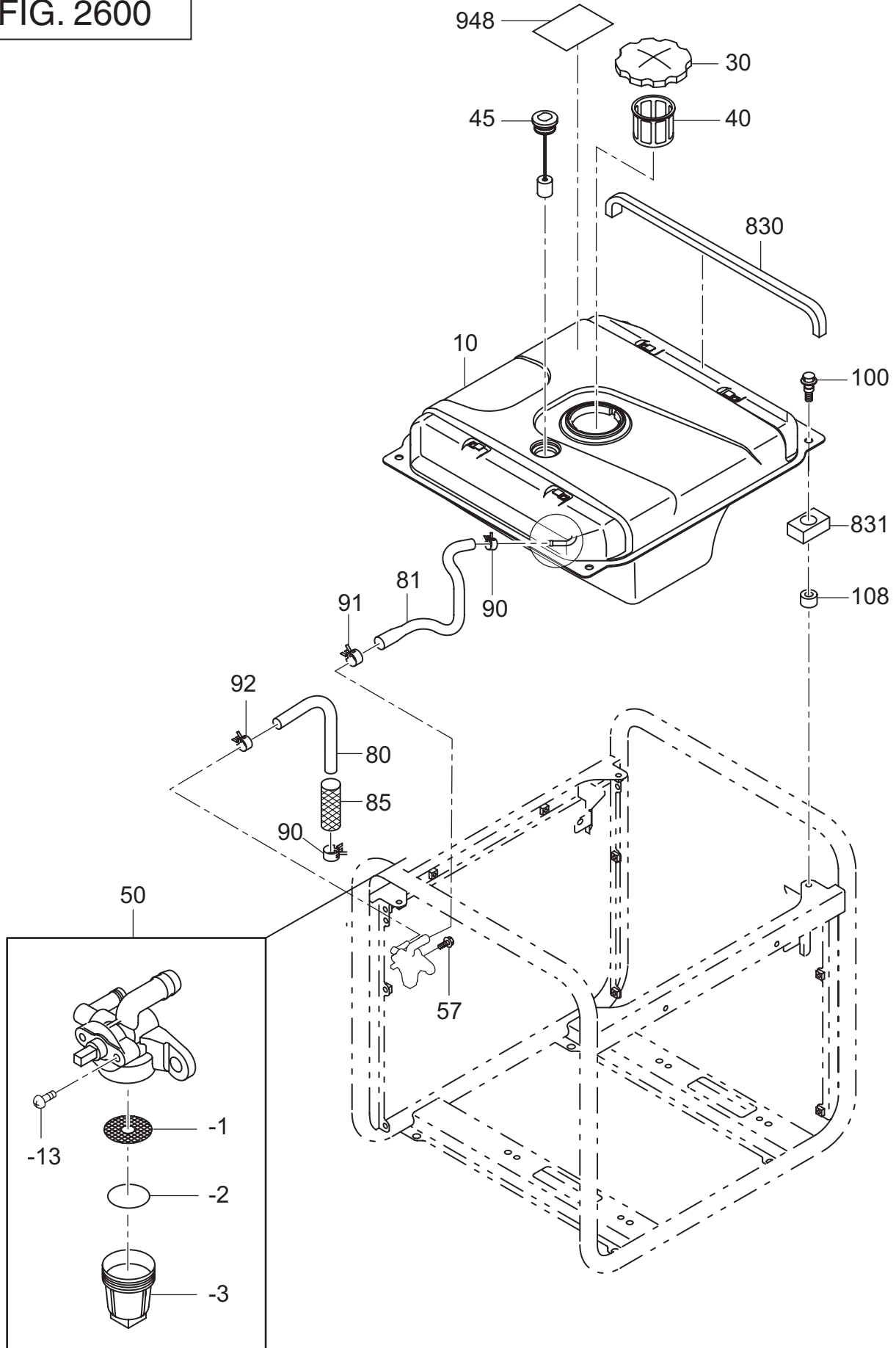


FIG. 2900

