



Robin Generator

Model RG3200iS

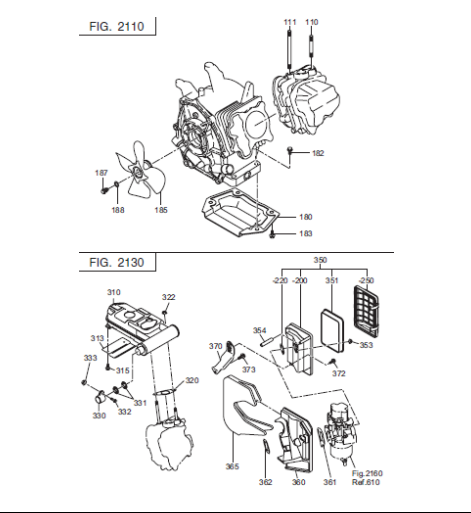
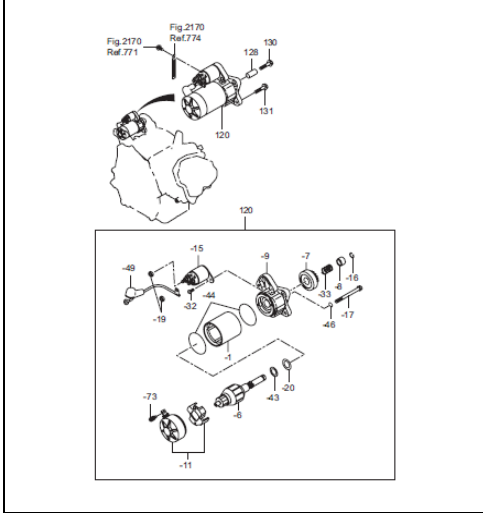
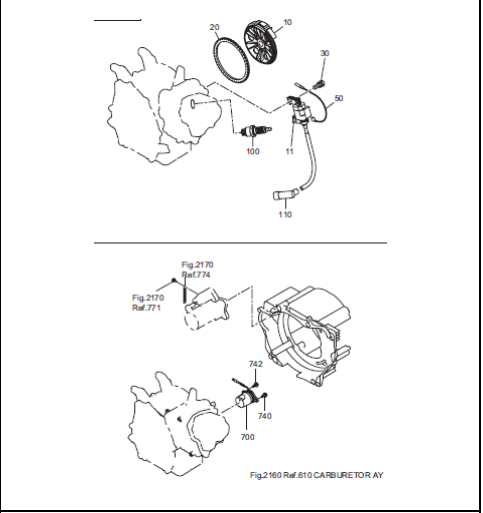
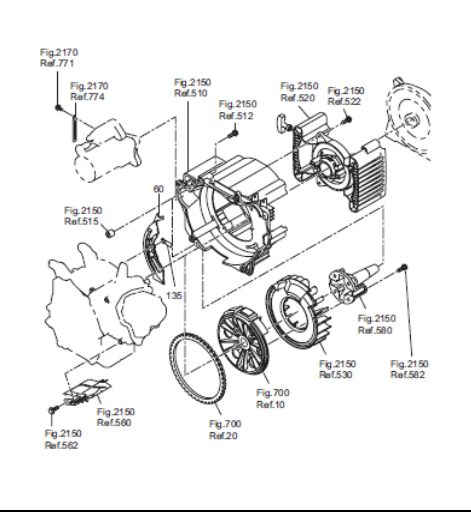
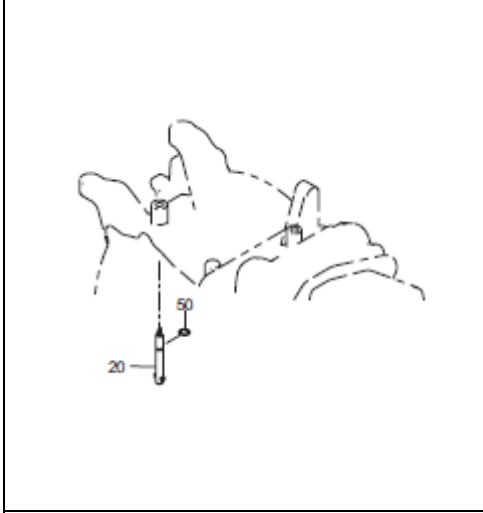
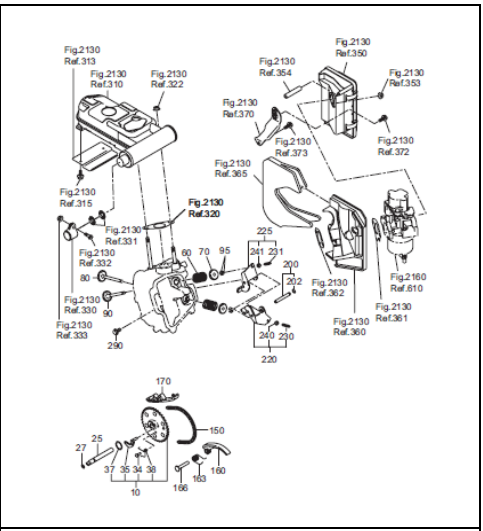
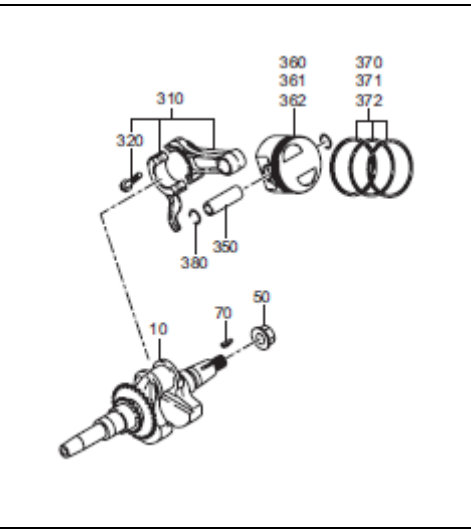
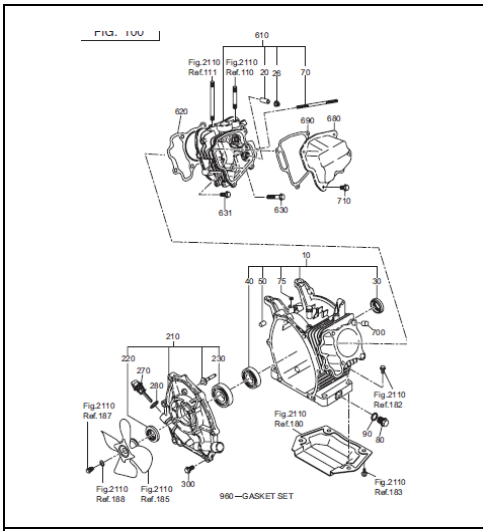
For DEU

PARTS CATALOG

Spec. No. RAS32017510
(E/G Spec. No. EX210DS2040)

富士重工業株式会社
FUJI HEAVY INDUSTRIES LTD.

ISSUE EMD-GP6022	
ISSUE DATE	2004.05



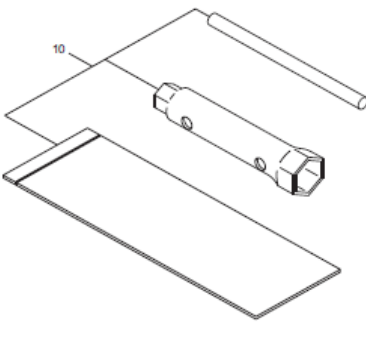
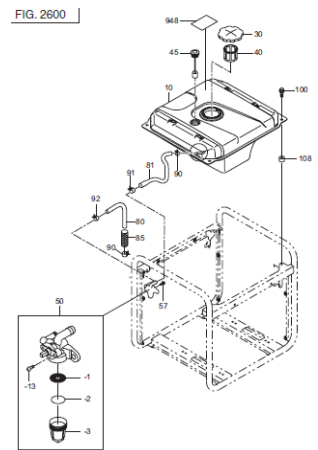
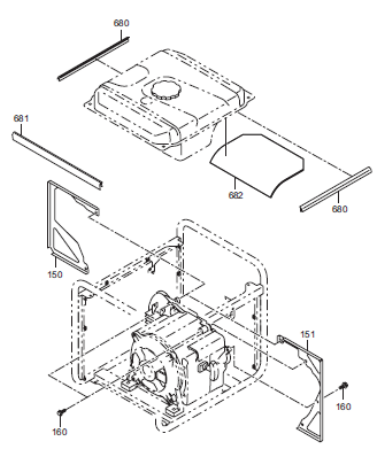
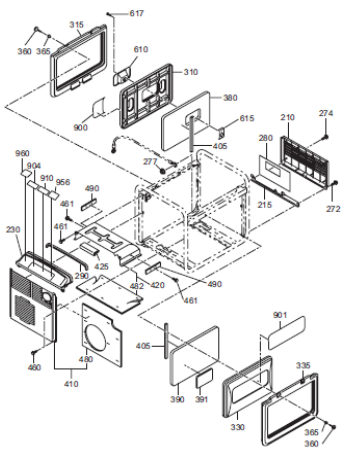
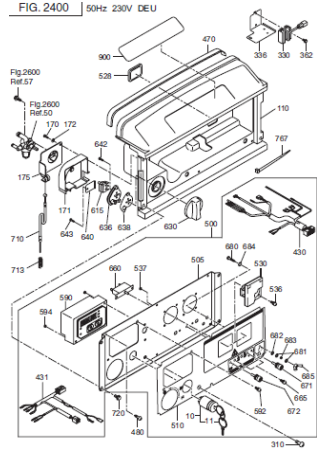
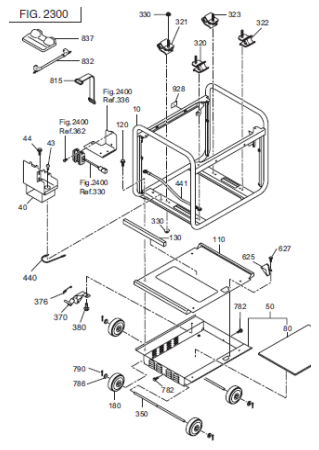
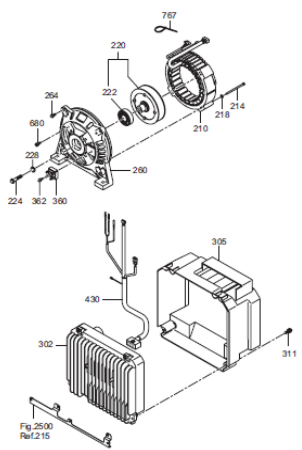


FIG. 100

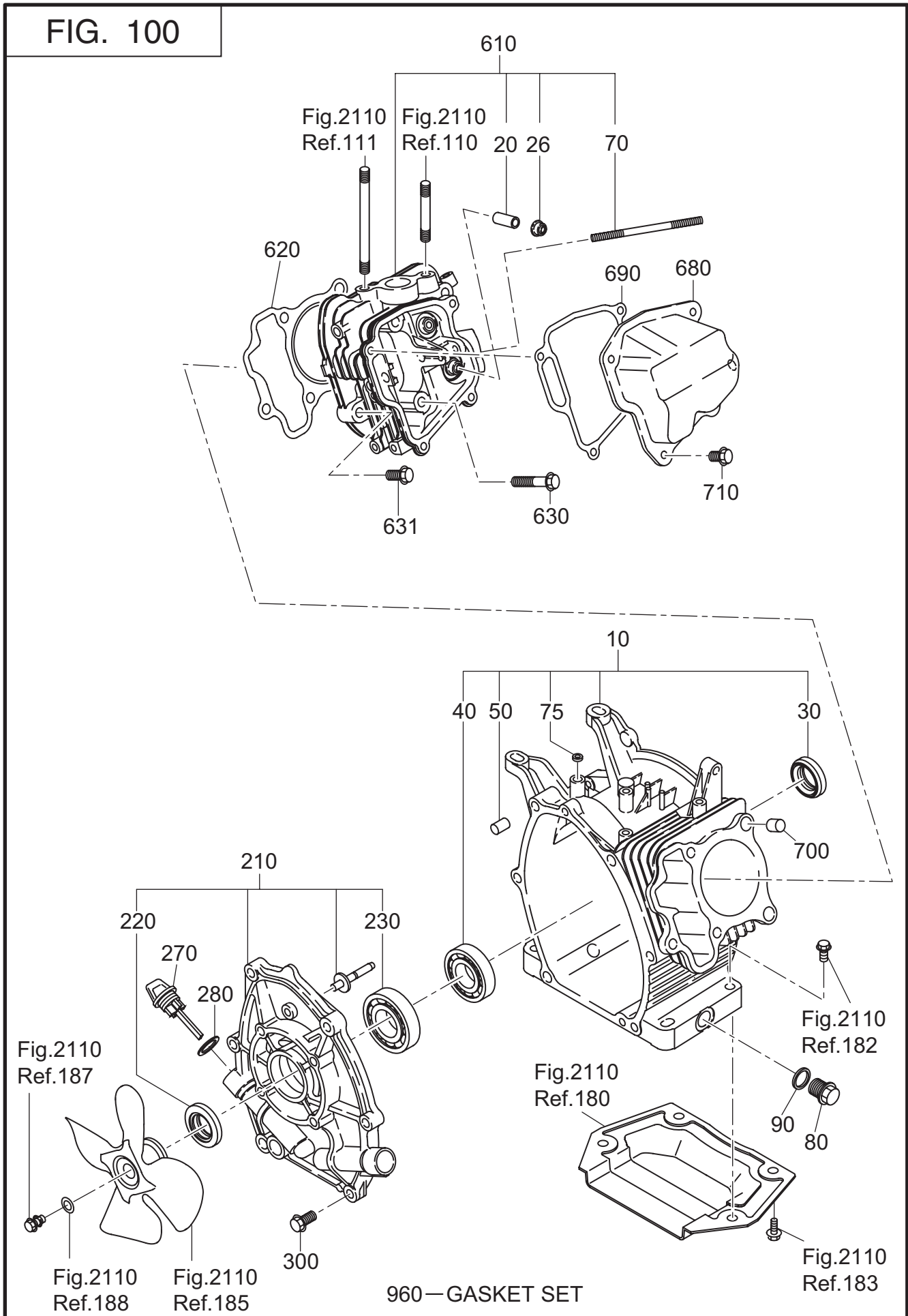


FIG. 200

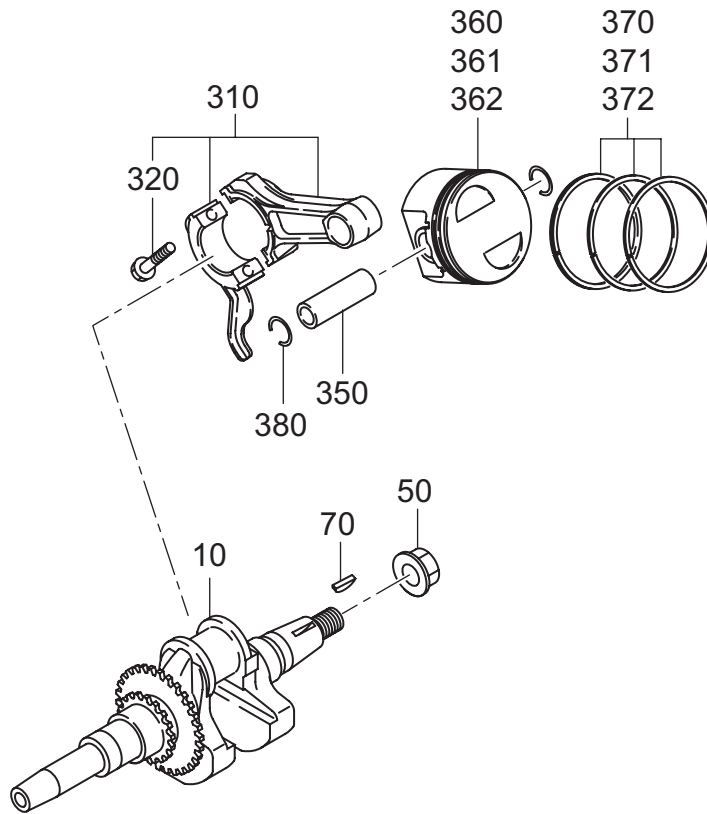


FIG. 300

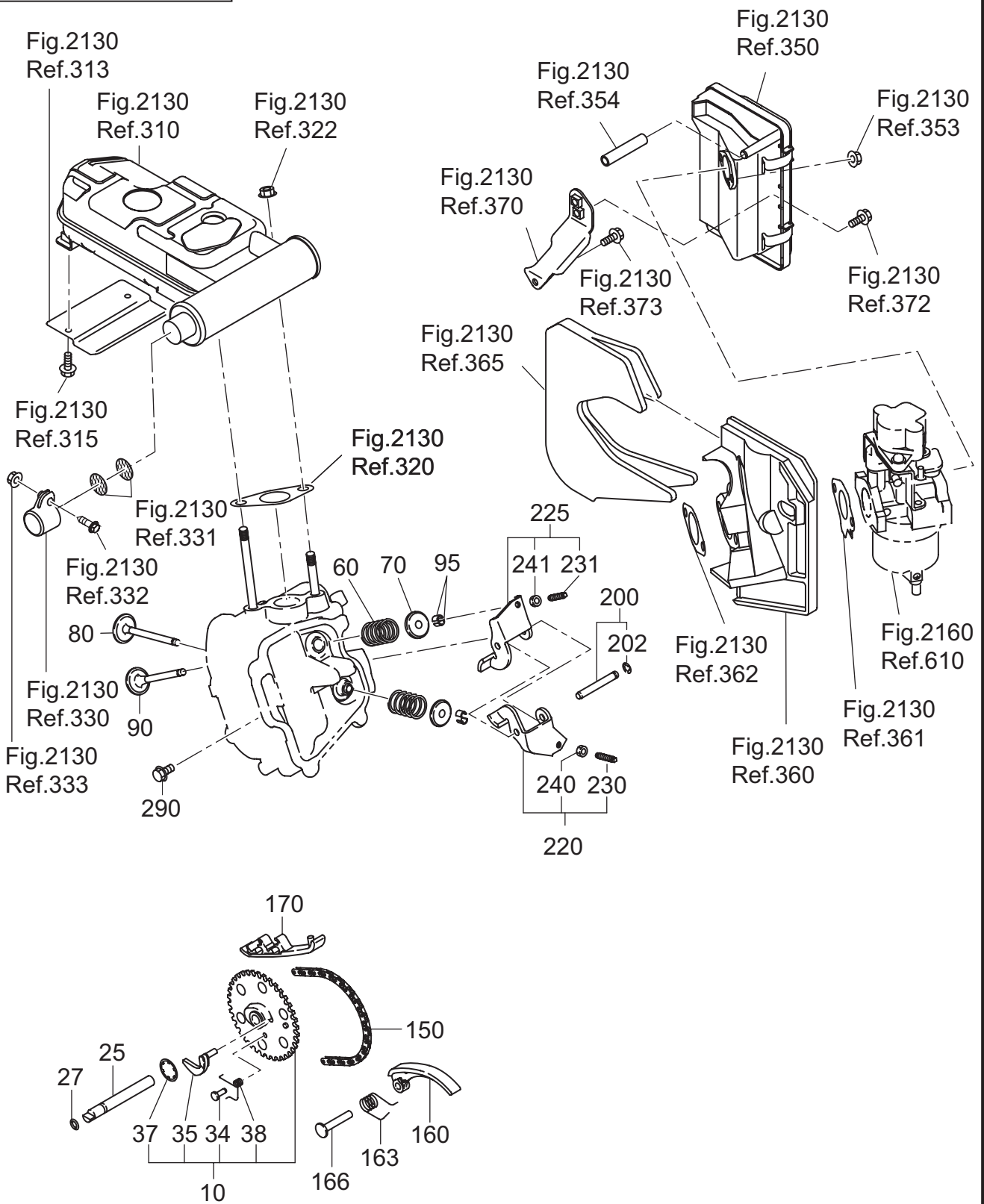


FIG. 400

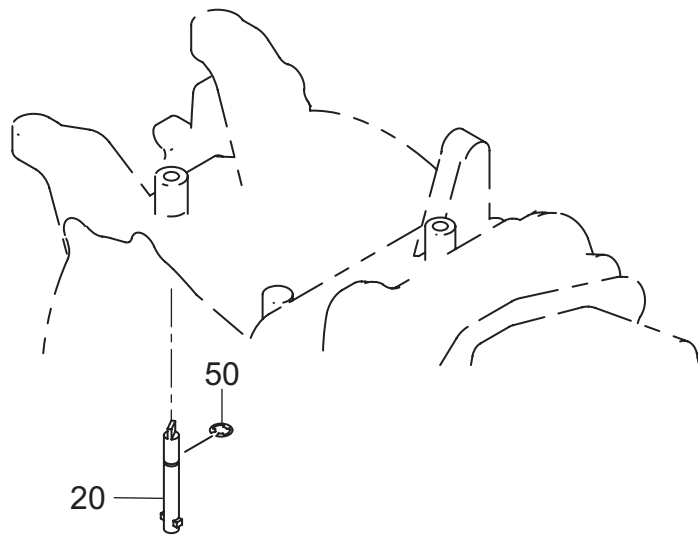


FIG. 500

Fig.2170
Ref.771

Fig.2170
Ref.774

Fig.2150
Ref.510

Fig.2150
Ref.512

Fig.2150
Ref.520

Fig.2150
Ref.522

Fig.2150
Ref.515

60

Fig.2150
Ref.515

135

Fig.2150
Ref.580

Fig.2150
Ref.530

Fig.2150
Ref.582

Fig.700
Ref.10

Fig.700
Ref.20

Fig.2150
Ref.560

Fig.2150
Ref.562

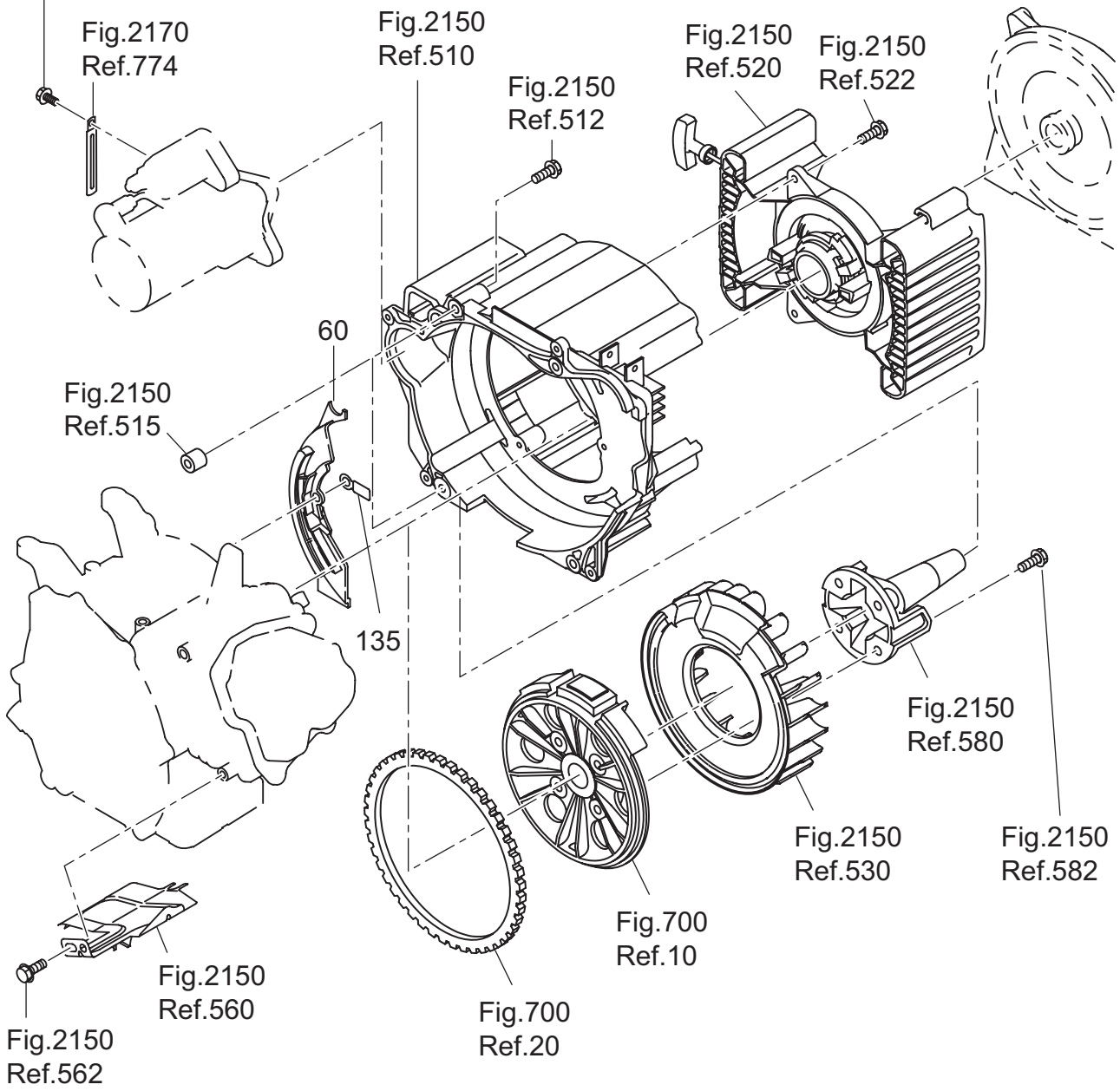


FIG. 700

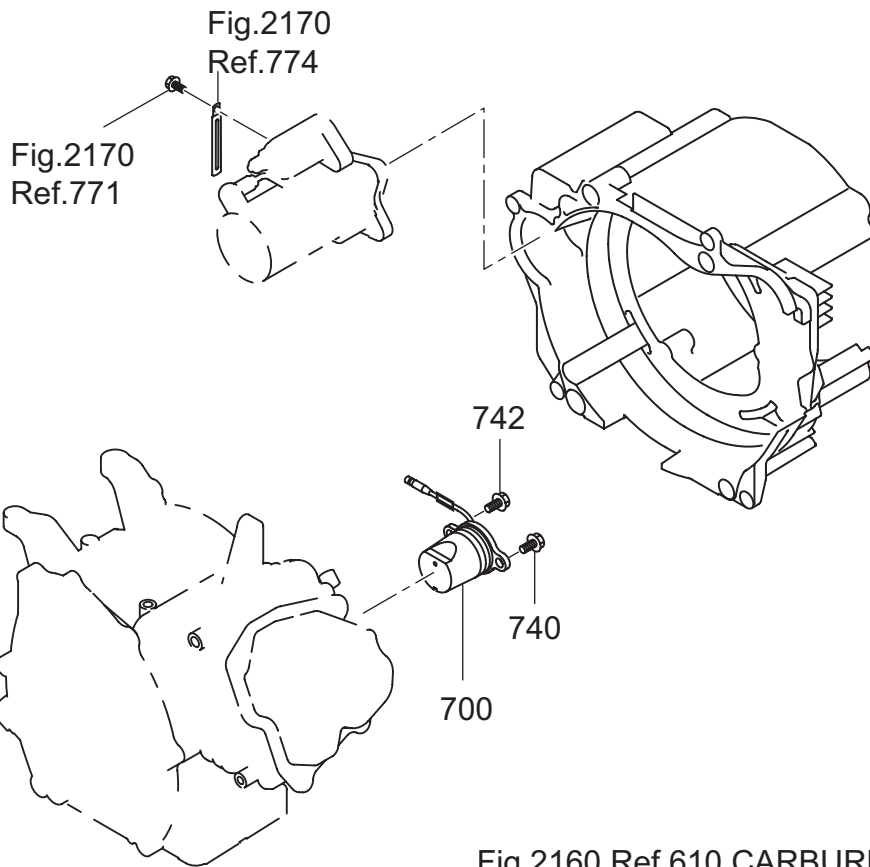
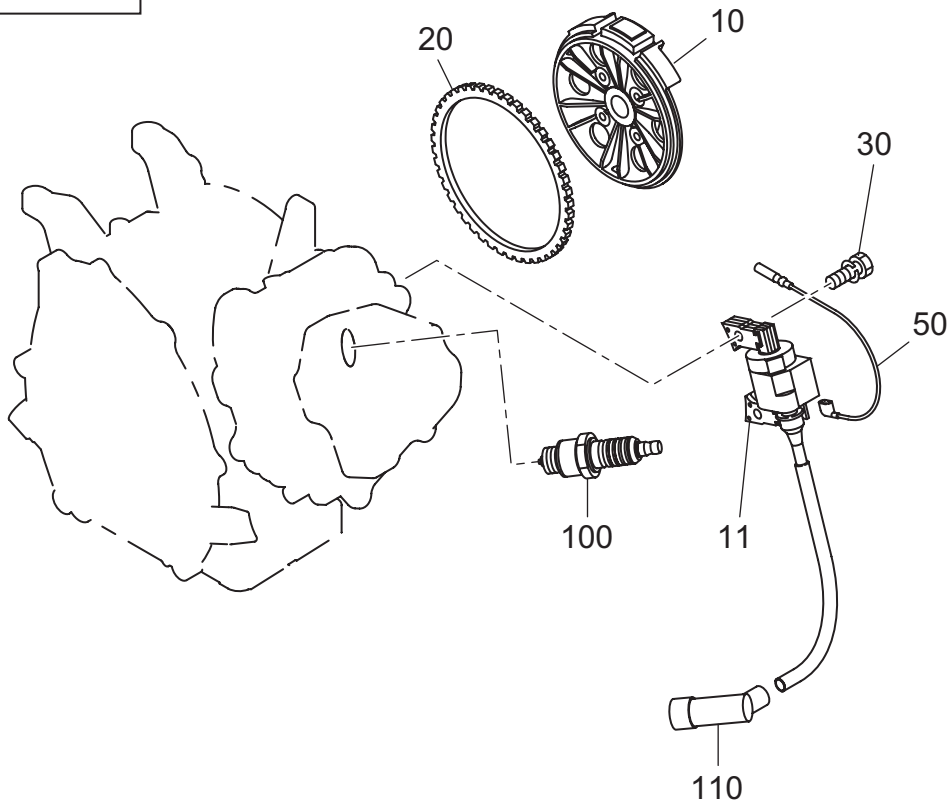


Fig.2160 Ref.610 CARBURETOR AY

FIG. 720

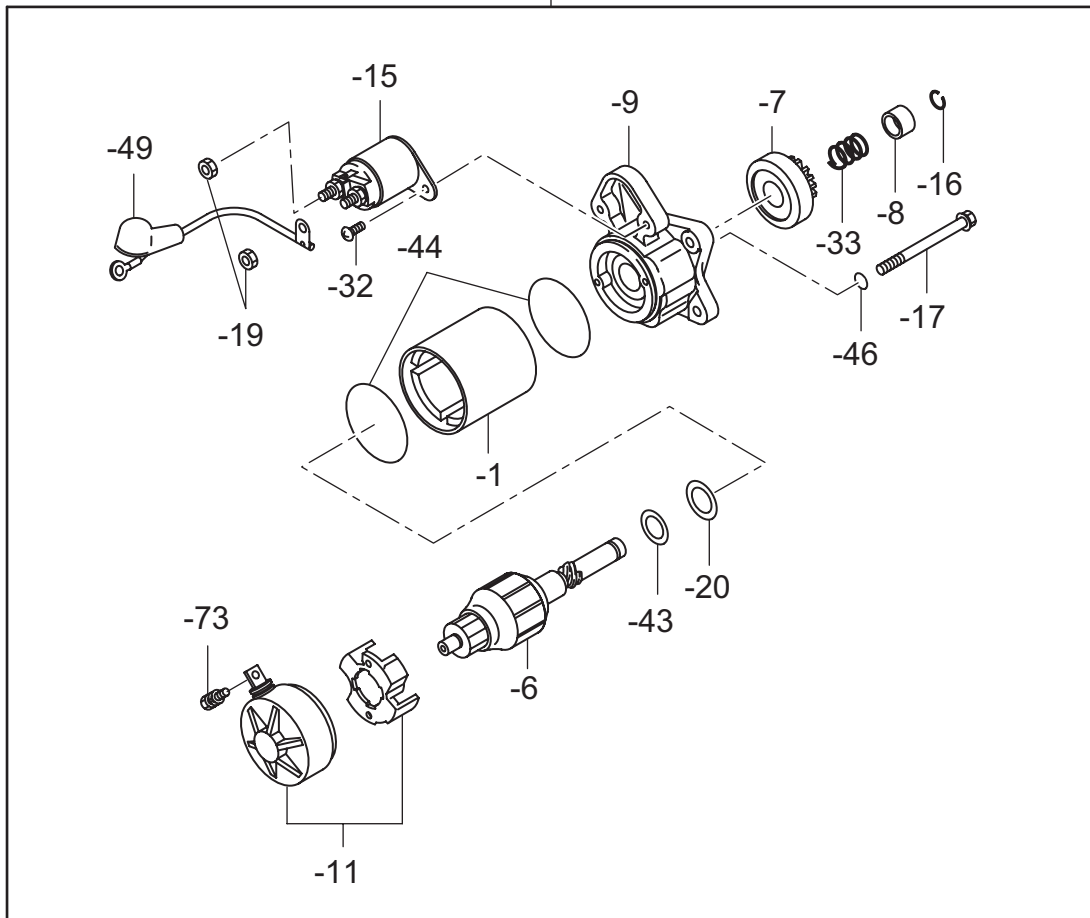
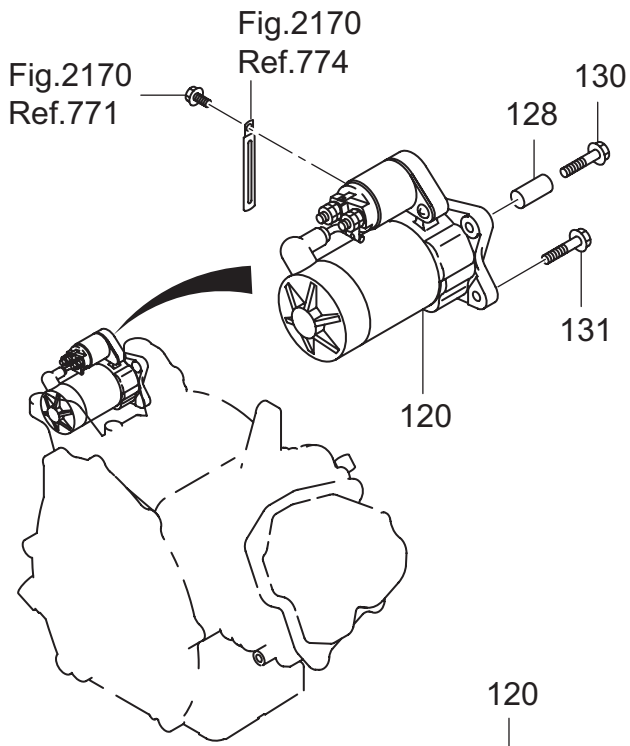
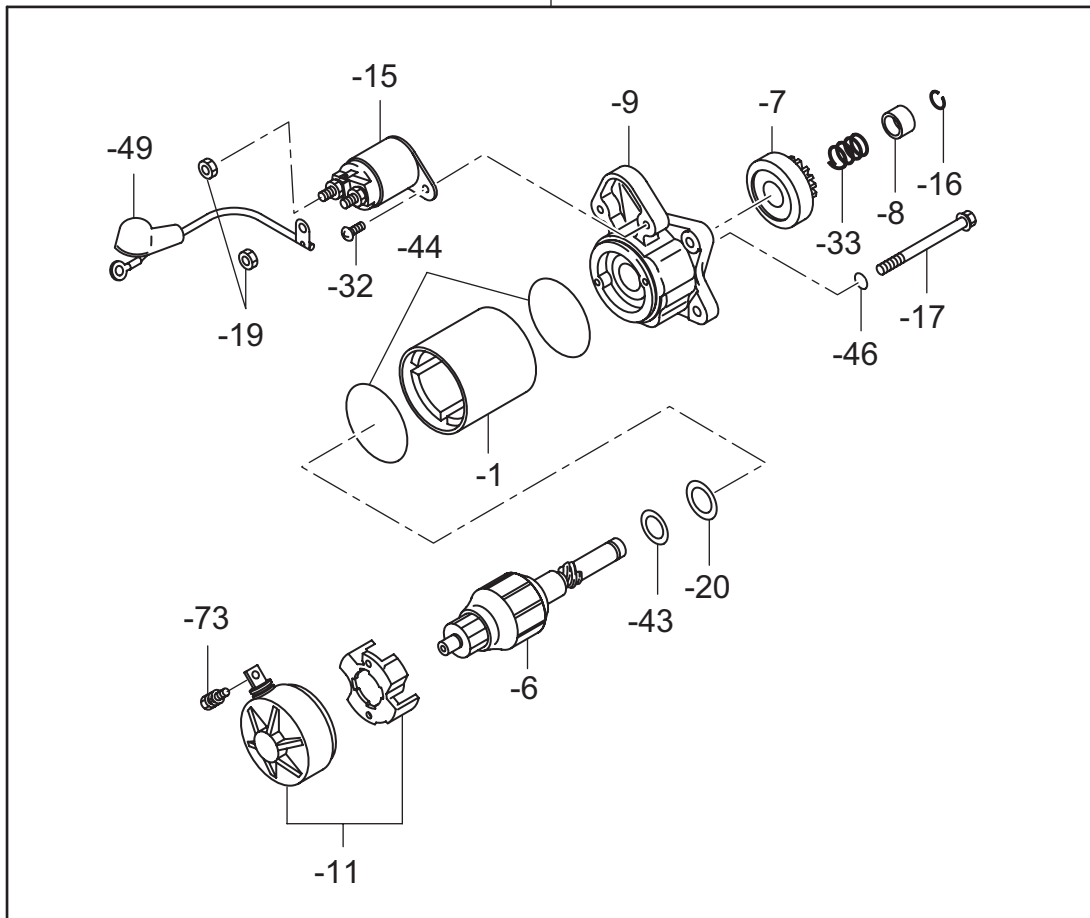
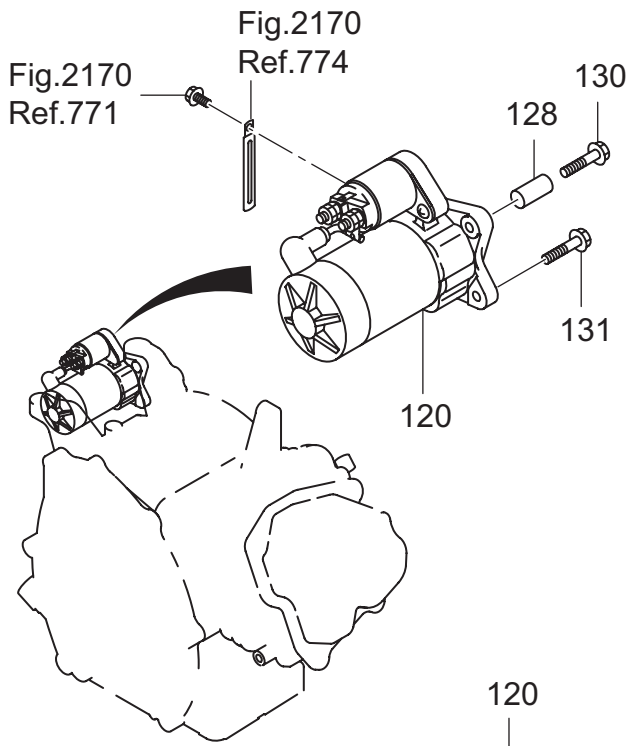


FIG. 720



7 ELECTRIC DEVICE

REF.	PARTS NUMBER	PARTS NAME	QTY	REMARKS	CODE NO. FROM-TO	INTERCHANGEABLE PART NUMBER	UNIT PRICE	FIG.
10	277-79231-01	FLYWHEEL CP	1		-			700
11	277-79431-01	IGNITION COIL CP	1		-			700
20	277-71002-03	RING GEAR	1		-			700
30	001-14062-50	BOLT AND WASHER AY	2		-			700
50	279-73105-H1	WIRE 5 CP	1		-			700
100	065-01401-50	SPARK PLUG	1		-			700
110	065-50002-70	SPARK PLUG CAP	1		-			700
700	277-76301-11	OIL SENSOR CP	1		-			700
740	001-14061-60	BOLT AND WASHER AY	1		-			700
742	013-00602-60	BOLT AND WASHER AY	1		-			700
120	277-70502-00	STARTING MOTOR AY	1		-			720
-1	277-70550-08	YOKE AY	1		-			720
-6	277-70551-08	ARMATURE AY	1		-			720
-7	277-70520-08	CLUTCH, SUB-AY	1		-			720
-8	227-70561-08	NUT (PINION STOP)	1		-			720
-9	277-70501-08	GEAR HOUSING AY	1		-			720
-11	277-70502-08	FRAME AY	1		-			720
-15	277-70573-08	CONTACTOR AY	1		-			720
-16	227-70562-08	RING, SNAP	1		-			720
-17	277-70570-08	THROUGH BOLT	2		-			720
-19	254-70576-08	NUT	2		-			720
-20	227-70573-08	WASHER	1		-			720
-32	277-70574-08	SCREW	2		-			720
-33	277-70560-08	SPRING	1		-			720
-43	227-70574-08	COLLER	1		-			720
-44	227-70572-08	O RING	2		-			720
-46	277-70571-08	O RING	2		-			720
-49	277-70572-08	WIRE, SUB-AY	1		-			720
-73	227-70577-08	BOLT	1		-			720
128	980-40081-10	STR PIN -8X10	1		-			720
130	011-00604-80	FLANGE BOLT	1	M6X30L	-			720
131	011-00604-70	FLANGE BOLT	1	M6X20L	-			720

FIG. 2110

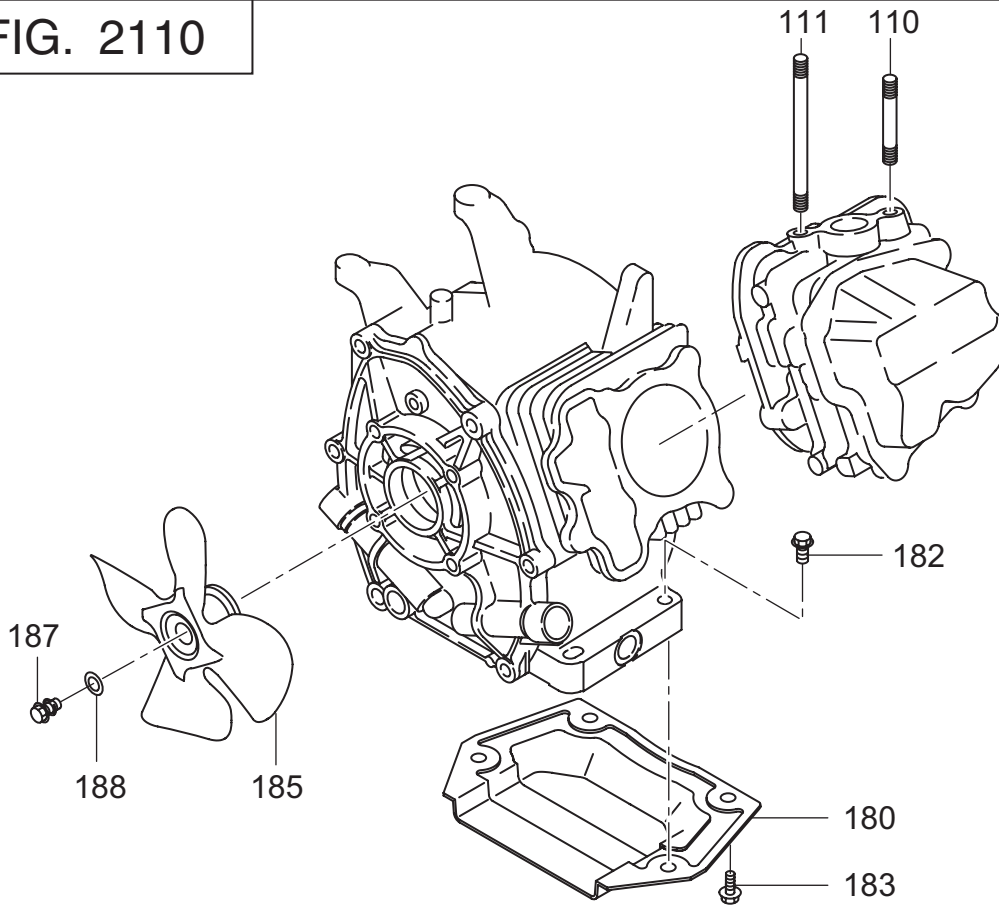


FIG. 2130

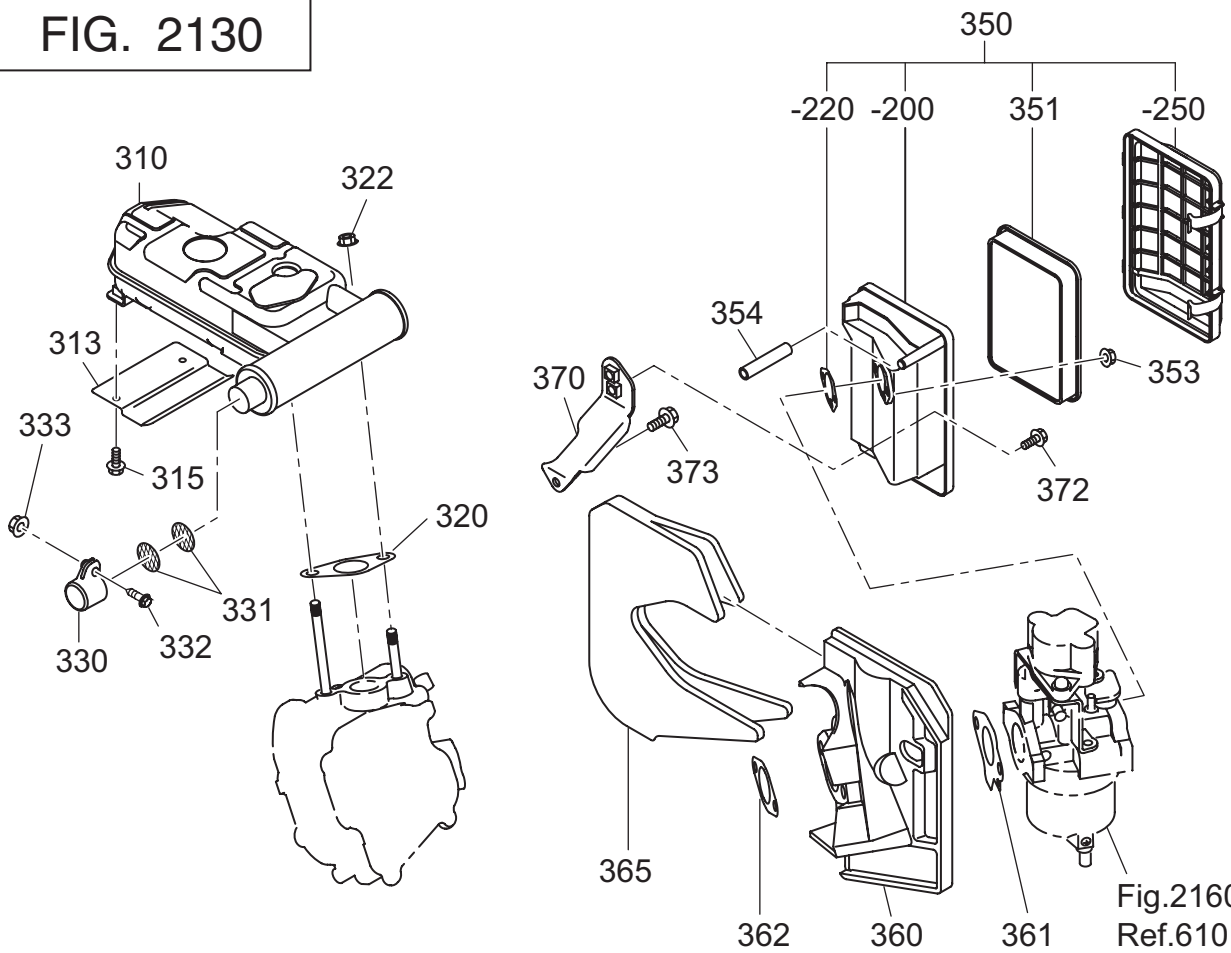


Fig.2160
Ref.610

FIG. 2150

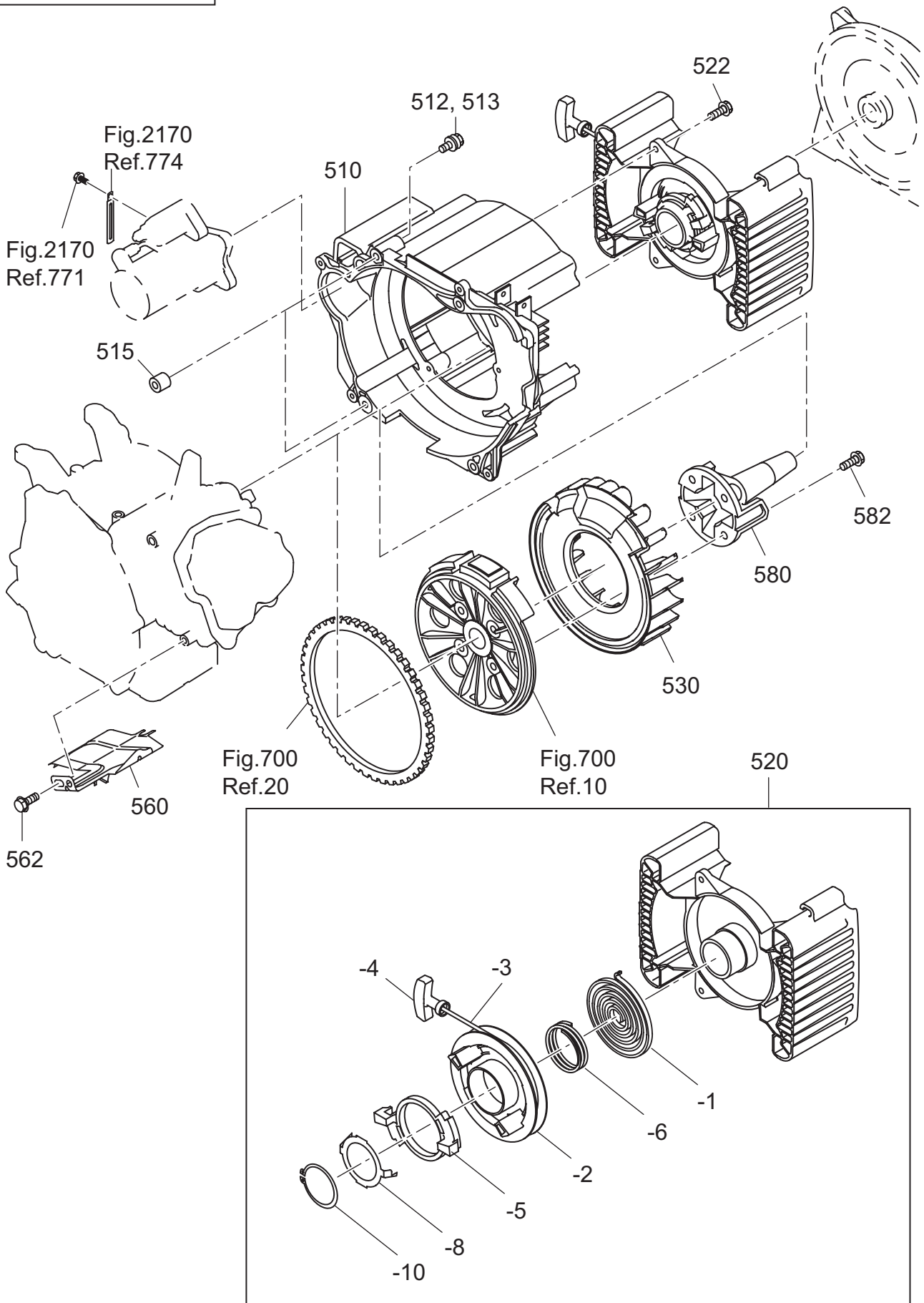


FIG. 2160

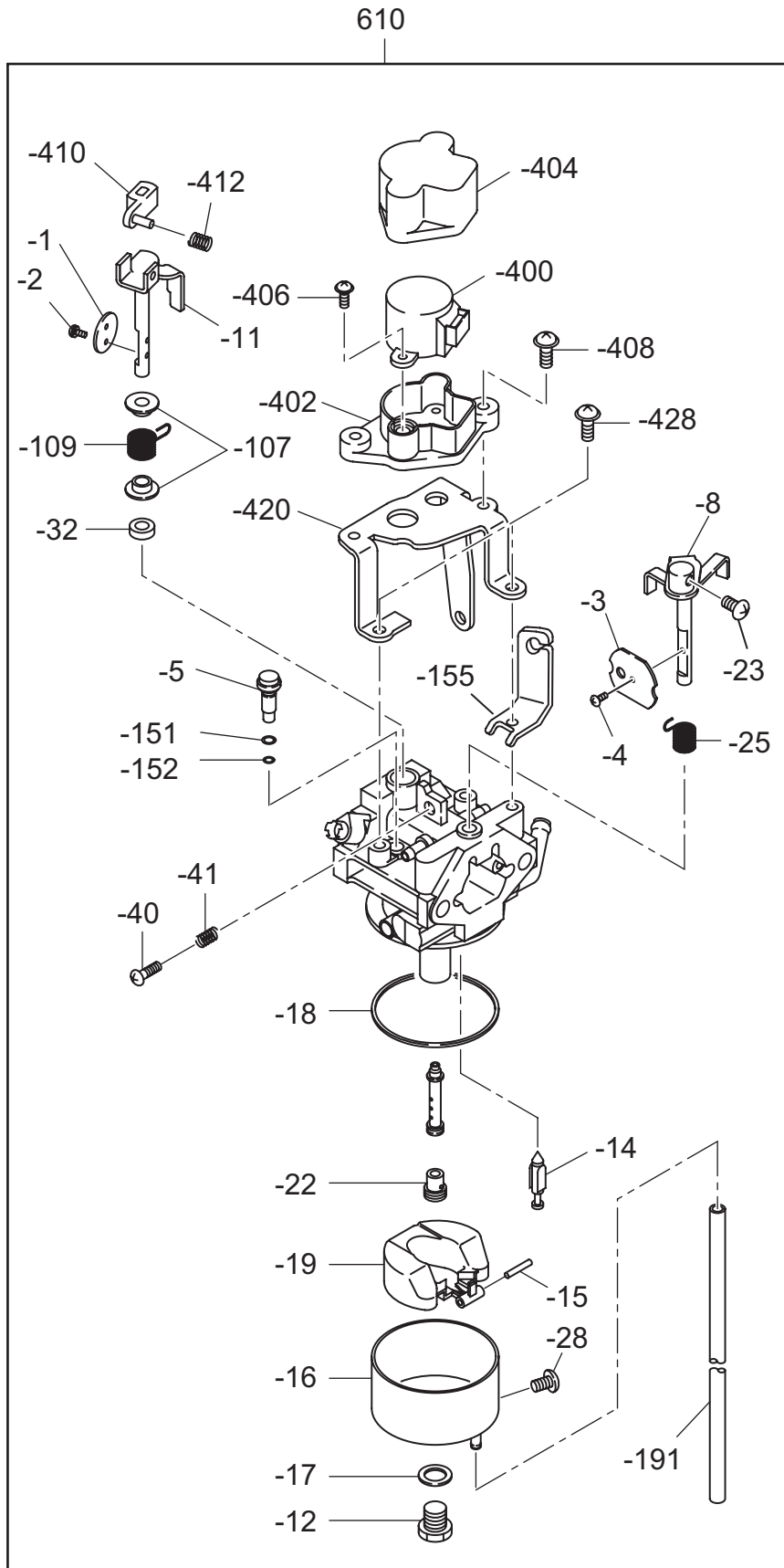
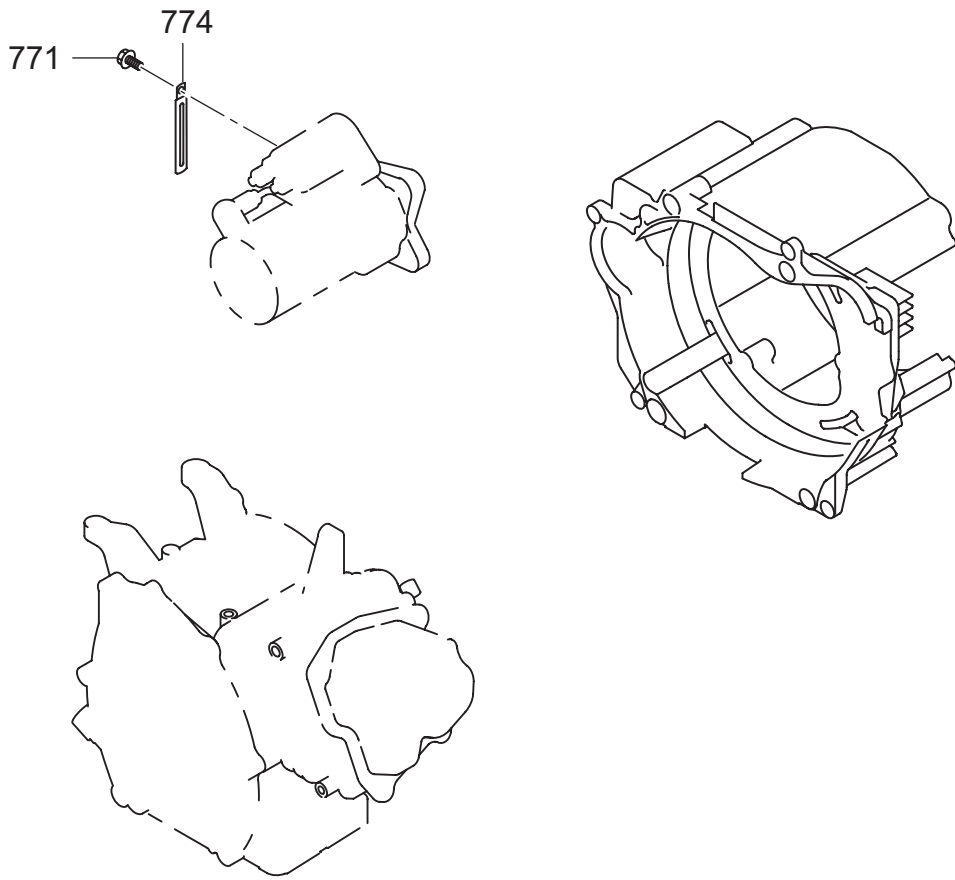


FIG. 2170



2 1 ENGINE

REF.	PARTS NUMBER	PARTS NAME	QTY	REMARKS	CODE NO. FROM-TO	INTERCHANGEABLE PART NUMBER	UNIT PRICE	FIG.
110	010-50802-90	STUD	1		-			2110
111	010-50805-10	STUD	1	M8X112L	-			2110
180	33B-35001-01	BOTTOM EXT. PLATE CP	1		-			2110
182	011-00802-70	FLANGE BOLT	2	M8X33L	-			2110
183	011-00801-50	FLANGE BOLT	2	M8X12L	-			2110
185	34G-54101-01	FAN (SILENT) CP	1		-			2110
187	001-14082-50	BOLT AND WASHER AY	1		-			2110
188	020-00800-80	WASHER	1		-			2110
310	278-30411-31	MUFFLER CP (SILENT)	1		-			2130
313	33B-52601-03	BAFFLE	1		-			2130
315	011-00601-60	FLANGE BOLT	2	M6X23L	-			2130
320	277-35201-13	GASKET (MUFFLER)	1		-			2130
322	980-20082-80	FLANGE NUT	2	M8	-			2130
330	277-37210-03	TAIL SCREEN COVER	1		-			2130
331	277-37220-03	SCREEN	2		-			2130
332	004-35051-60	SCREW AND WASHER AY	1		-			2130
333	002-18050-00	NUT	1		-			2130
350	277-32622-20	AIR CLEANER AY	1		-			2130
-200	277-32632-08	BASE CP	1		-			2130
-220	277-32604-08	PACKING	1		-			2130
-250	277-32643-18	COVER CP	1		-			2130
351	277-32661-17	ELEMENT SET	1		-			2130
353	002-38060-00	FLANGE NUT	2		-			2130
354	085-10800-00	RUBBER PIPE	1	8DX11D	-			2130
360	277-32910-03	INSULATOR	1		-			2130
361	277-35902-H3	GASKET 1 (INSULATOR)	1		-			2130
362	277-35903-H3	GASKET 2 (INSULATOR)	1		-			2130
365	278-39701-03	SPONGE (INSULATOR)	1		-			2130
370	277-39004-01	BRACKET (A/C) 1 CP	1		-			2130
372	011-00600-50	FLANGE BOLT	1	M6X20L	-			2130
373	011-00600-20	FLANGE BOLT	1	M6X12L	-			2130
510	277-52001-13	BLOWER HOUSING	1		-			2150
512	001-14063-50	BOLT AND WASHER AY	1		-			2150
513	001-14064-50	BOLT AND WASHER AY	3		-			2150
515	980-40081-10	STR PIN -8X10	2	M6	-			2150
520	277-50401-00	RECOIL STARTER AY	1		-			2150

2 1 ENGINE

REF.	PARTS NUMBER	PARTS NAME	QTY	REMARKS	CODE NO. FROM-TO	INTERCHANGEABLE PART NUMBER	UNIT PRICE	FIG.
-1	277-50402-08	SPIRAL SPRING	1		-			2150
-2	277-50403-08	REEL	1		-			2150
-3	277-50408-08	STARTER PORE	1		-			2150
-4	277-50409-08	STARTER KNOB	1		-			2150
-5	277-50404-08	RACHET	1		-			2150
-6	277-50405-08	FRICITION SPRING	1		-			2150
-8	277-50407-08	FRICITION PLATE	1		-			2150
-10	277-50406-08	RETAINING RING	1		-			2150
522	011-00601-40	FLANGE BOLT	3	M6X18L	-			2150
530	277-54101-13	COOLING BLOWER	1		-			2150
560	277-52702-03	BAFFLE 2 (HEAD)	1		-			2150
562	011-00600-20	FLANGE BOLT	1	M6X12L	-			2150
580	277-24401-03	DRIVING SHAFT	1		-			2150
582	011-01001-10	FLANGE BOLT	4	M8X27L	-			2150
610	278-62330-00	CARBURETOR AY	1		-			2160
-1	277-62536-08	THROTTLE VALVE	1		-			2160
-2	284-62455-08	SCREW	2		-			2160
-3	284-62525-08	CHOKE VALVE	1		-			2160
-4	284-62455-08	SCREW	1		-			2160
-5	278-62421-08	SLOW JET	1		-			2160
-8	284-62520-08	CHOKE LEVER	1		-			2160
-11	277-62532-08	THROTTLE SHAFT	1		-			2160
-12	284-62355-08	BOLT	1		-			2160
-14	279-62500-08	NEEDLE	1		-			2160
-15	284-62515-08	PIN	1		-			2160
-16	284-62550-08	FLOAT BODY	1		-			2160
-17	251-62350-08	PACKING	1		-			2160
-18	284-62540-08	CHAMBER PACKING	1		-			2160
-19	284-62505-08	FLOAT AY	1		-			2160
-22	278-62402-08	MAIN JET	1		-			2160
-23	284-62456-08	SCREW	1		-			2160
-25	284-62445-08	SPRING (CHOKE)	1		-			2160
-28	251-62466-08	BOLT	1		-			2160
-32	251-62559-08	SEAL	1		-			2160
-40	277-62581-08	ADJUST SCREW	1		-			2160
-41	251-62449-08	SPRING	1		-			2160

FIG. 2170

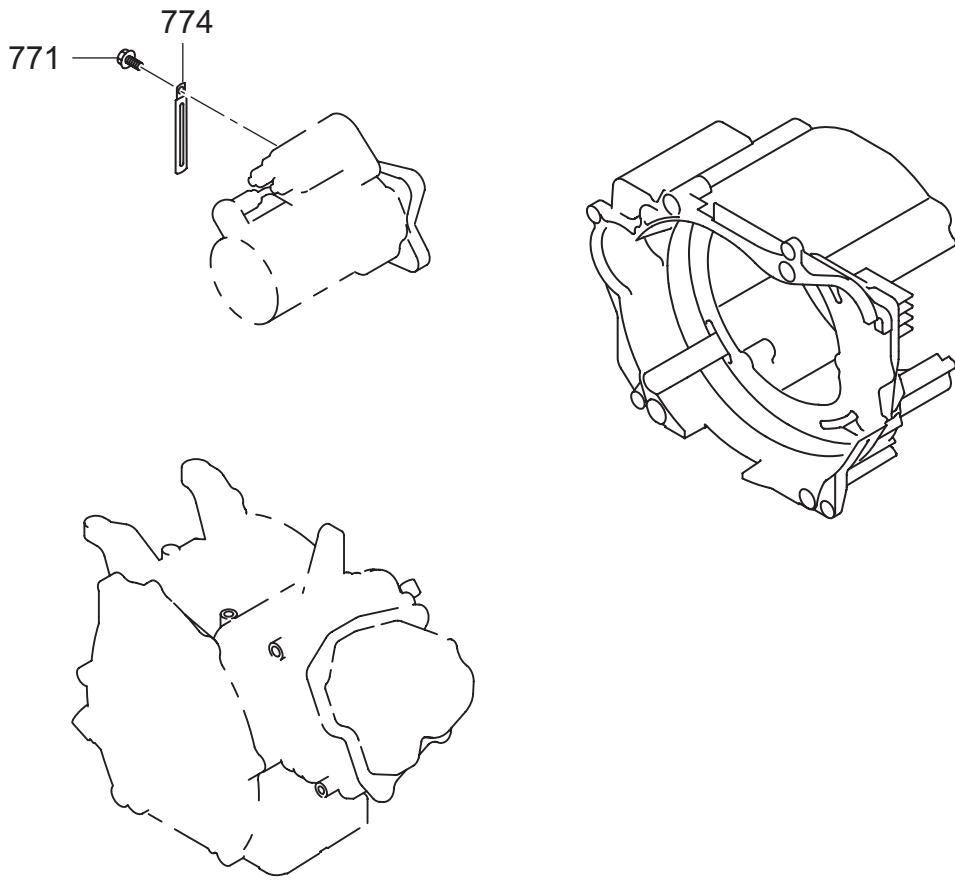
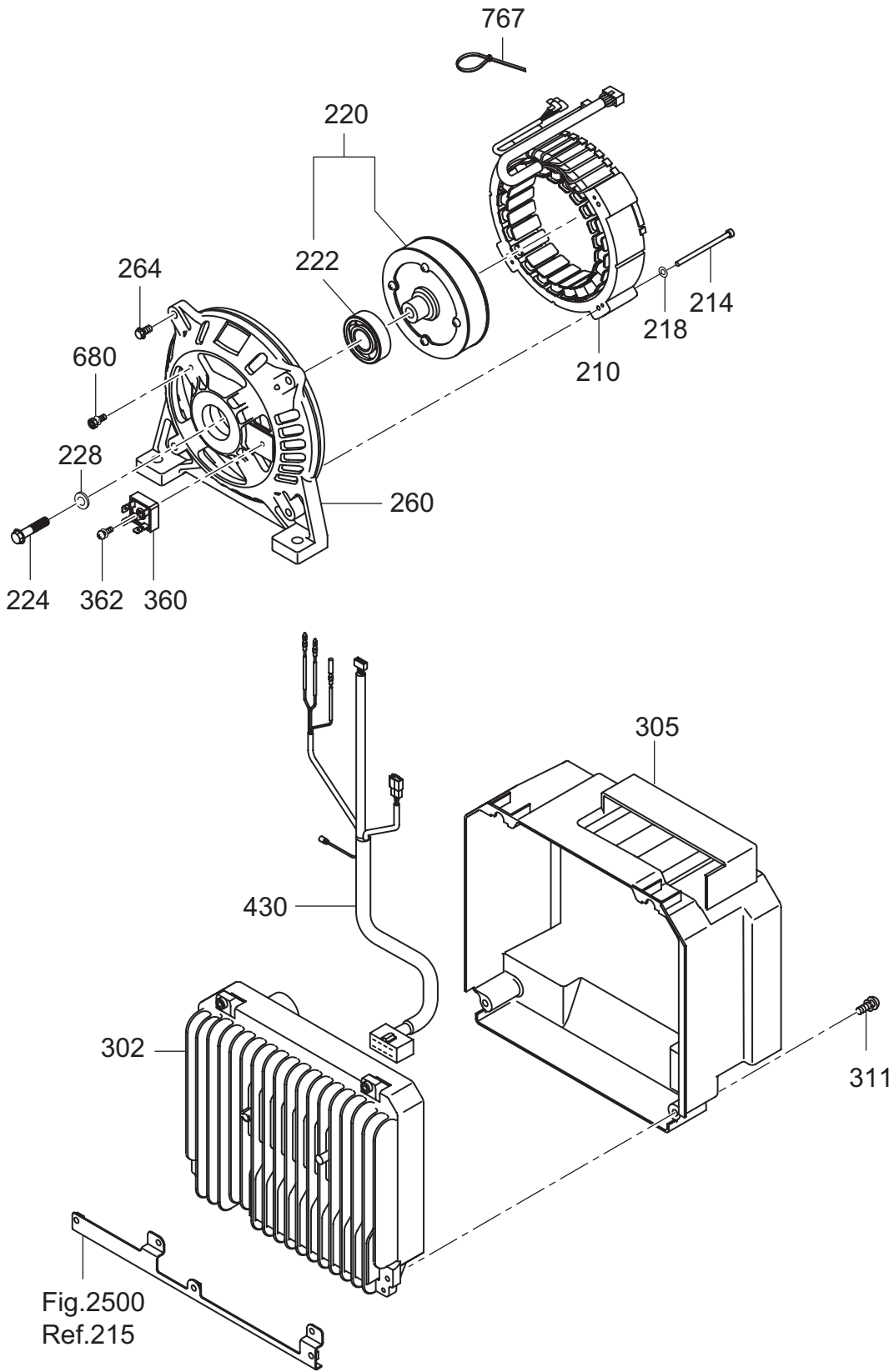


FIG. 2200



2 4 CONTROL

REF.	PARTS NUMBER	PARTS NAME	QTY	REMARKS	CODE NO. FROM-TO	INTERCHANGEABLE PART NUMBER	UNIT PRICE	FIG.
10	066-00003-30	KEY SWITCH	1		-			2400
11	066-00099-80	KEY	2		-			2400
110	33B-50001-01	FRONT COVER (UPPER) CP	1		-			2400
170	015-00400-70	TAPPING SCREW	2		-			2400
171	33B-46001-03	COVER (COCK)	1		-			2400
172	003-10040-00	WASHER	2		-			2400
175	33B-46012-01	BRACKET (COCK)	1		-			2400
310	004-36061-60	SCREW AND WASHER AY	2		-			2400
330	33B-47202-01	REGULATOR CP	1		-			2400
336	33B-35801-02	BRACKET (REG) UN	1		-			2400
362	011-00600-50	FLANGE BOLT	2	M6X20L	-			2400
430	34B-48002-01	WIRE HARNESS CP	1		-			2400
431	33B-48051-01	WIRE HARNESS CP	1		-			2400
470	34B-57311-03	SEAL SPONGE FC2	1		-			2400
480	353-49904-08	TAPPING SCREW	6	M4X10L	-			2400
500	34C-45718-10	CONTROL PANEL AY	1		-			2400
505	33B-45009-01	PANEL PLATE CP	1		-			2400
510	34B-49122-03	SHEET (PANEL VS) 22	1		-			2400
528	227-75001-03	GROMMET	1		-			2400
530	358-40621-08	AC CONCENT (FINLAND)	2		-			2400
536	004-36031-20	SCREW AND WASHER AY	8		-			2400
537	002-17030-00	NUT	8		-			2400
590	KU3-11770-11	MONITOR C/U CP (INV2)	1		-			2400
592	013-10400-80	SCREW AND WASHER AY	2	M4X40L	-			2400
594	002-17040-00	NUT	2		-			2400
615	33K-41811-03	MICRO SWITCH	2		-			2400
630	33K-42010-03	CONTROL DIAL	1		-			2400
636	33K-42020-03	CHOKE REEL	1		-			2400
638	33K-42030-13	PLATE	1		-			2400
640	33B-46015-01	BRACKET (MICRO)	1		-			2400
642	33K-41814-08	TAPPING SCREW	2	M3X16L	-			2400
643	015-00400-70	TAPPING SCREW	1		-			2400
660	352-45620-08	CIRCUIT BREAKER	1	201-10A	-			2400
665	31B-79011-03	SCREW	2		-			2400
671	363-45701-08	TERMINAL BOLT	1	RED	-			2400
672	363-45700-08	TERMINAL BOLT	1	BLACK	-			2400

FIG. 2500

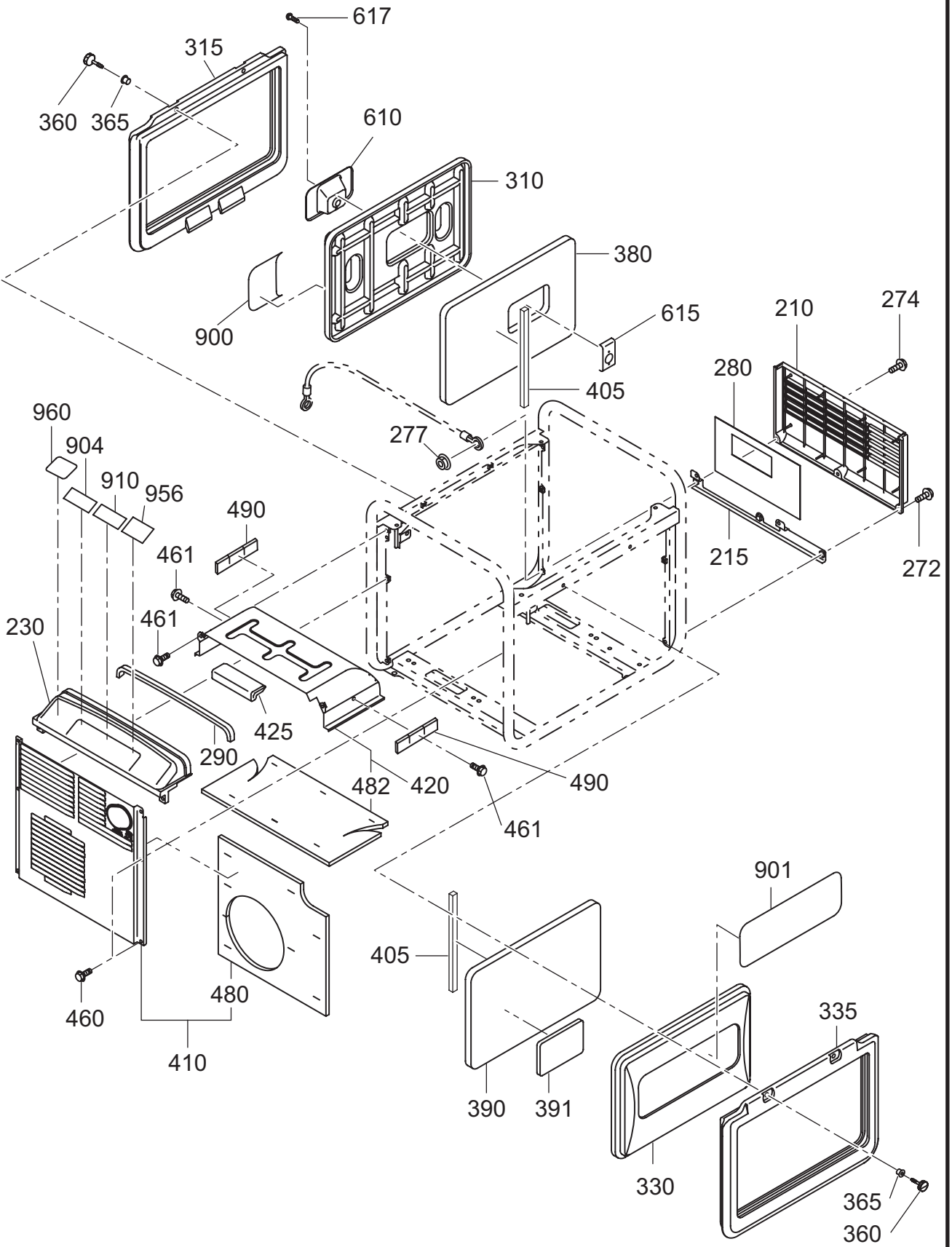
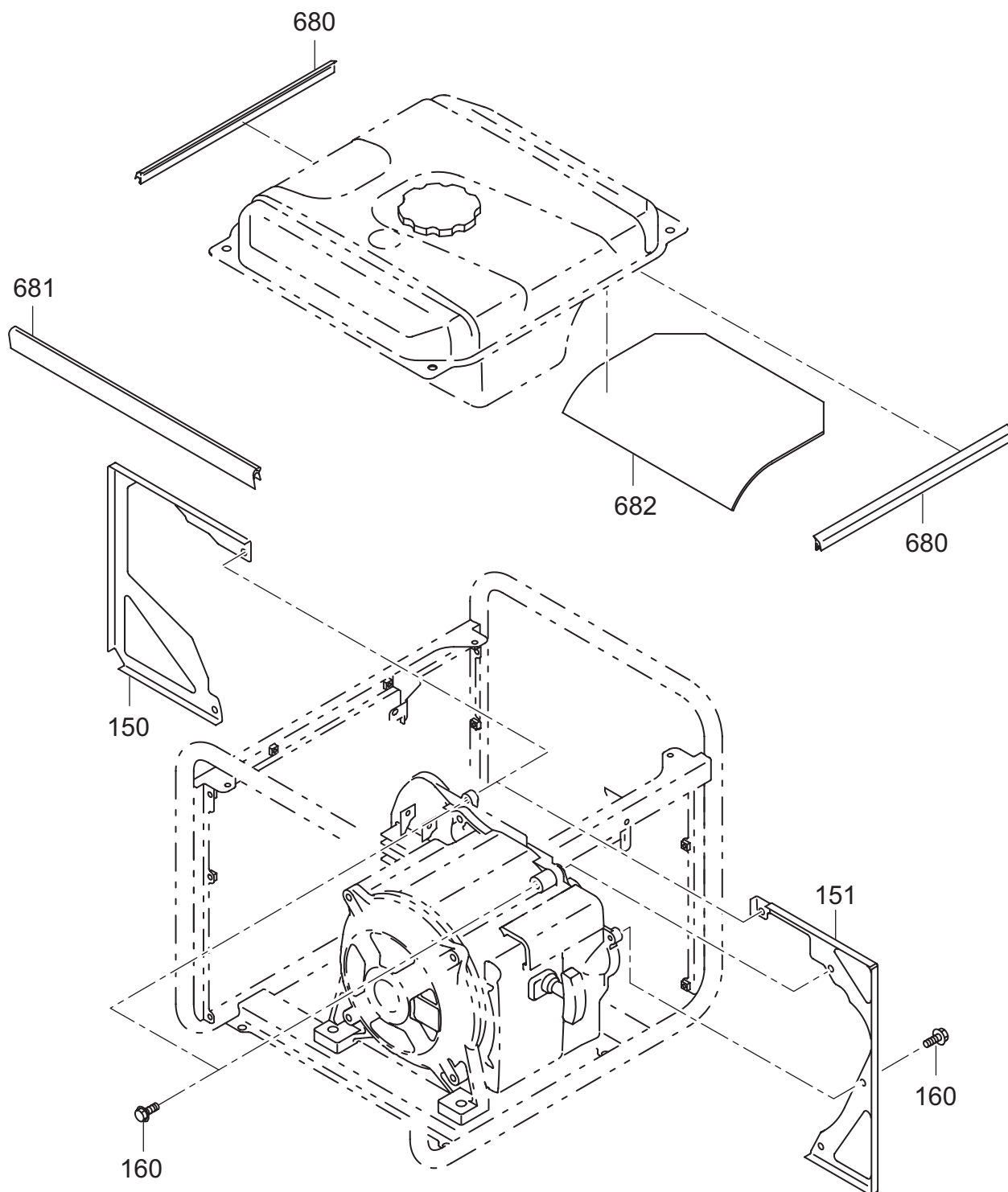


FIG. 2510



2 5 COVER

REF.	PARTS NUMBER	PARTS NAME	QTY	REMARKS	CODE NO. FROM-TO	INTERCHANGEABLE PART NUMBER	UNIT PRICE	FIG.
210	33B-50101-01	FRONT COVER (LOWER) CP	1		-			2500
215	33B-35501-01	BRACKET (COVER) CP	1		-			2500
230	33B-50501-01	REAR COVER (UPPER) CP	1		-			2500
272	011-00601-80	FLANGE BOLT	2	M6X18L	-			2500
274	001-11062-50	BOLT AND WASHER AY	1		-			2500
277	002-38060-00	FLANGE NUT	1		-			2500
280	34B-57310-03	SEAL SPONGE FC1	1		-			2500
290	34B-57311-03	SEAL SPONGE FC2	1		-			2500
310	34G-51001-01	SIDE COVER (R) CP	1		-			2500
315	34G-55101-03	SIDE RUBBER SEAL	1		-			2500
330	34G-51101-01	SIDE COVER (L) CP	1		-			2500
335	34G-55101-03	SIDE RUBBER SEAL	1		-			2500
360	34G-55301-01	COVER BOLT CP	4		-			2500
365	34G-55302-01	SPACER CP	4		-			2500
380	34G-59001-13	SPONGE (S COVER-R)	1		-			2500
390	34G-59002-13	SPONGE (S COVER-L)	1		-			2500
391	34G-59008-03	SPONGE (S COVER-L)	1		-			2500
405	34G-57321-03	SEAL SPONGE (SIDE)	2		-			2500
410	33B-56411-01	MUF COVER (REAR) CP	1		-			2500
420	34G-56351-01	MUF COVER (L) CP	1		-			2500
425	33B-57005-03	SEAL RUBBER	1		-			2500
460	011-00601-80	FLANGE BOLT	6	M6X18L	-			2500
461	011-00600-80	FLANGE BOLT	4	M6X12L	-			2500
480	33B-57105-03	GLASS WOOL (M-COVER)	1		-			2500
482	33B-57103-03	GLASS WOOL	1		-			2500
490	34G-57322-03	SEAL SPONGE (MF17.21)	2		-			2500
610	34G-55001-01	COVER (RECOIL KNOB) CP	1		-			2500
615	34G-55002-01	PLATE CP	1		-			2500
617	004-35061-00	SCREW AND WASHER AY	2		-			2500
900	34H-91003-03	LABEL (TRADE MARK-R)	1		-			2500
901	34H-92003-03	LABEL (TRADE MARK-L)	1		-			2500
904	34H-96006-13	LABEL (SPEC)	1		-			2500
910	33K-94002-03	LABEL (CAUTION)	1		-			2500
956	073-20045-00	LABEL (HOT&GAS)	1		-			2500
960	073-20053-70	LABEL (91DB)	1		-			2500
150	33B-56101-11	SEPARATOR (A/C)	1		-			2510

FIG. 2600

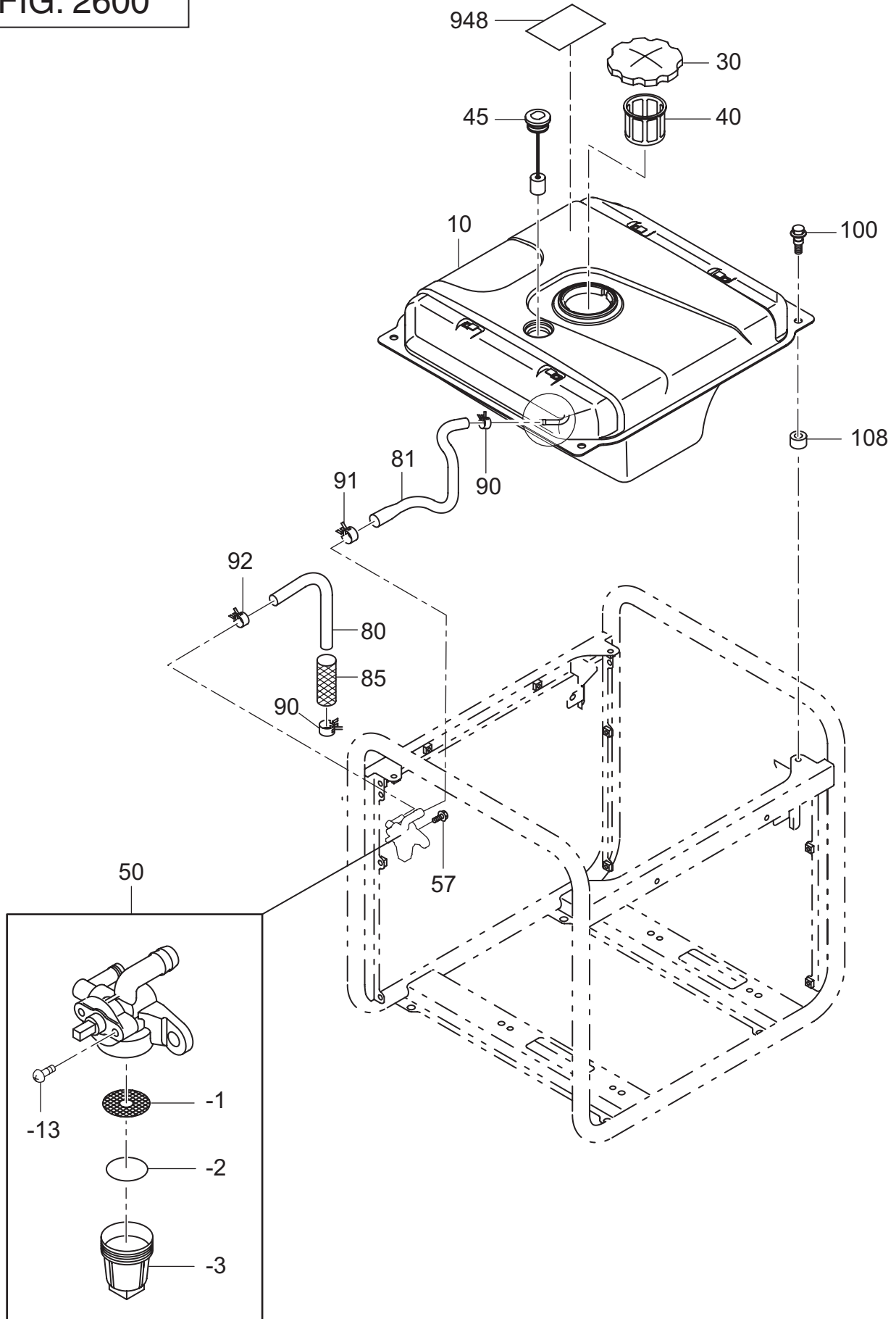


FIG. 2900

