



Robin Generator

Model RG4300DX
For USA
PARTS CATALOG

Spec. No. RGC43053010
(E/G Spec. No. EX270D20170)

富士重工業株式会社
FUJI HEAVY INDUSTRIES LTD.

ISSUE EMD-GP6029	
ISSUE DATE	2004.05

FIG. 100

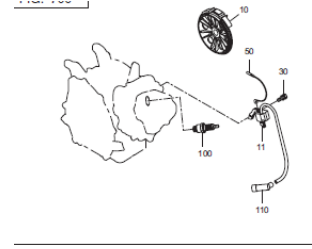
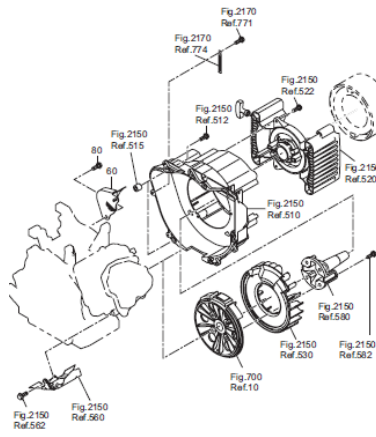
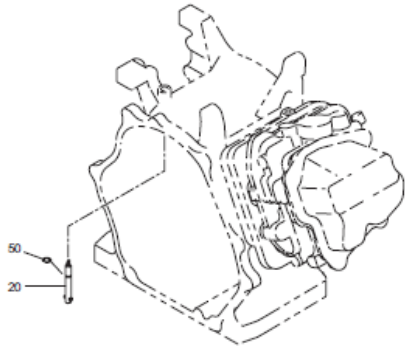
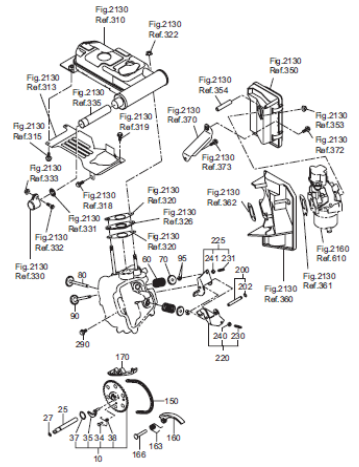
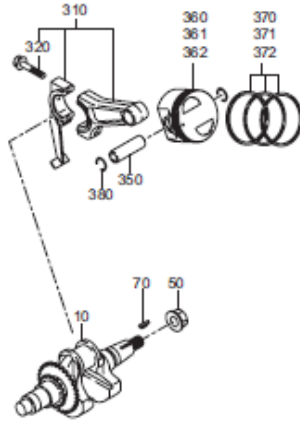
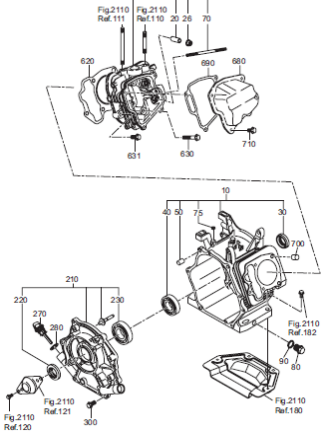


FIG. 2110

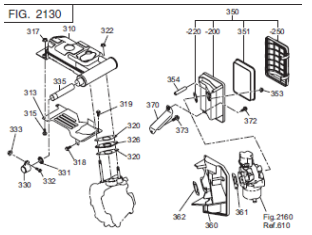
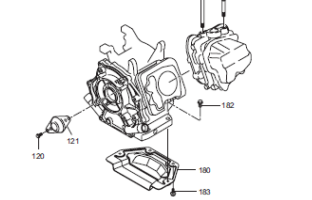
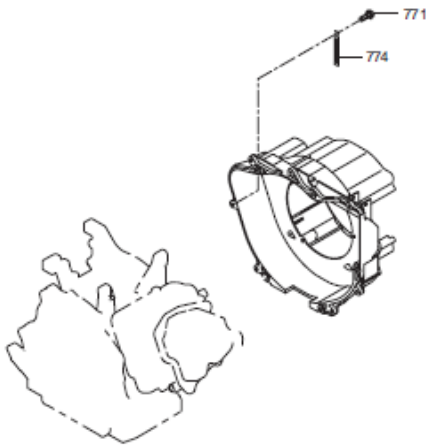
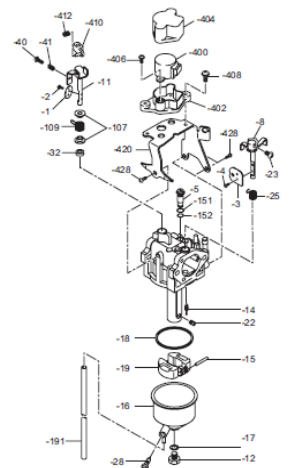
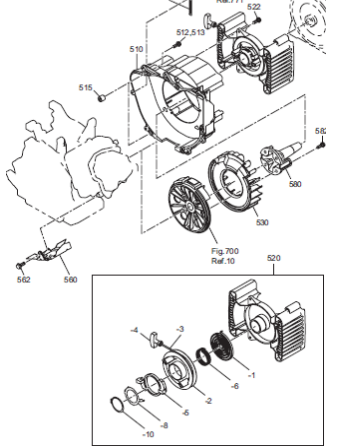


FIG. 2150



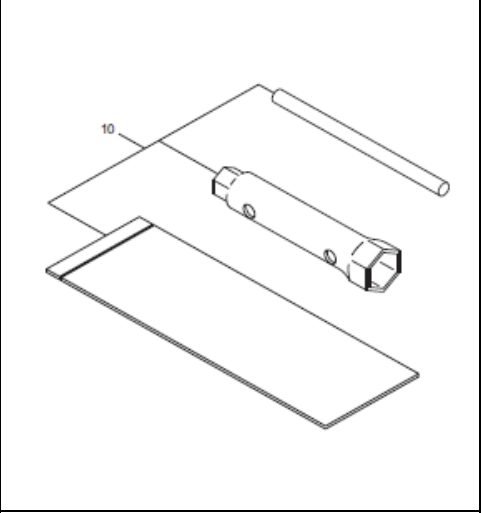
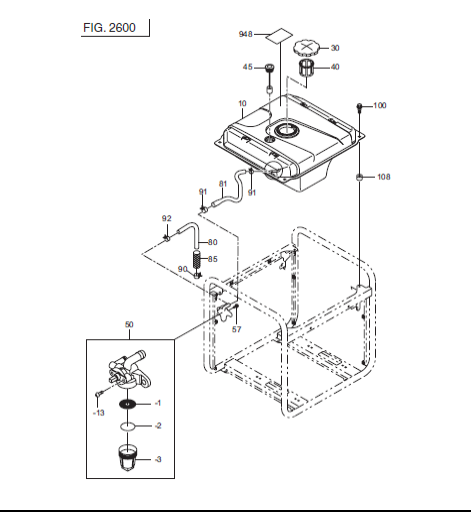
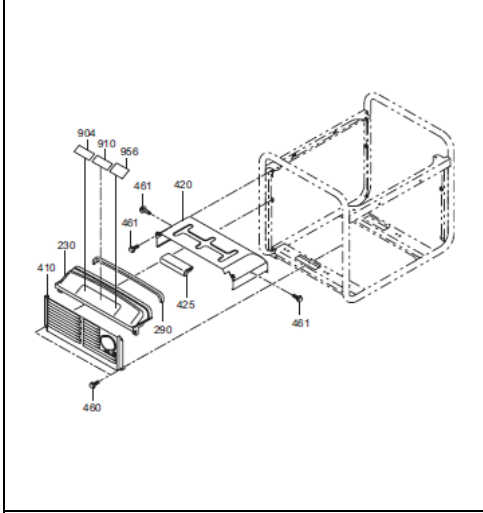
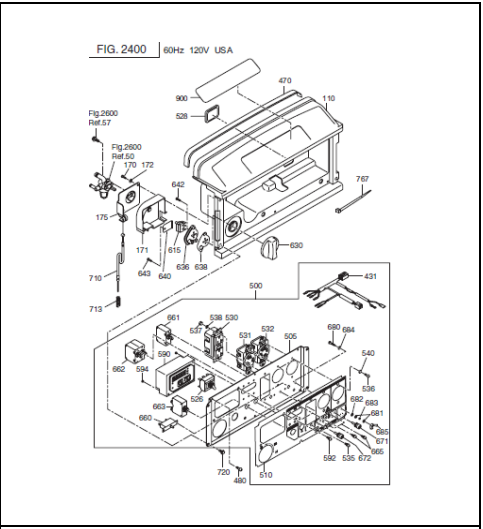
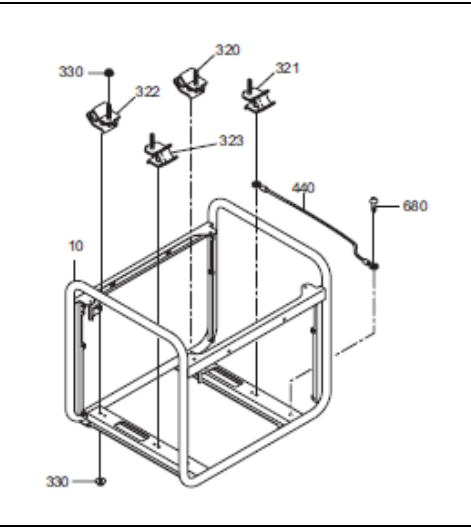
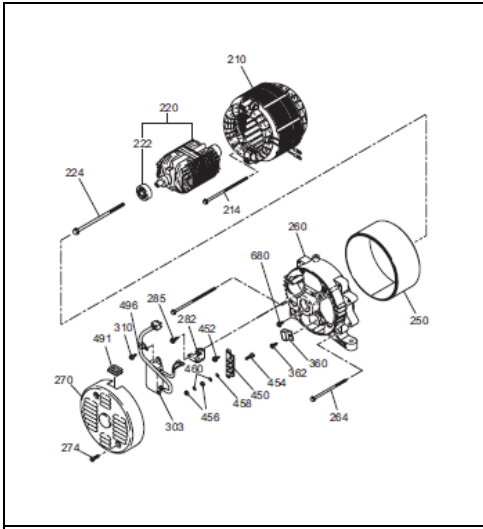
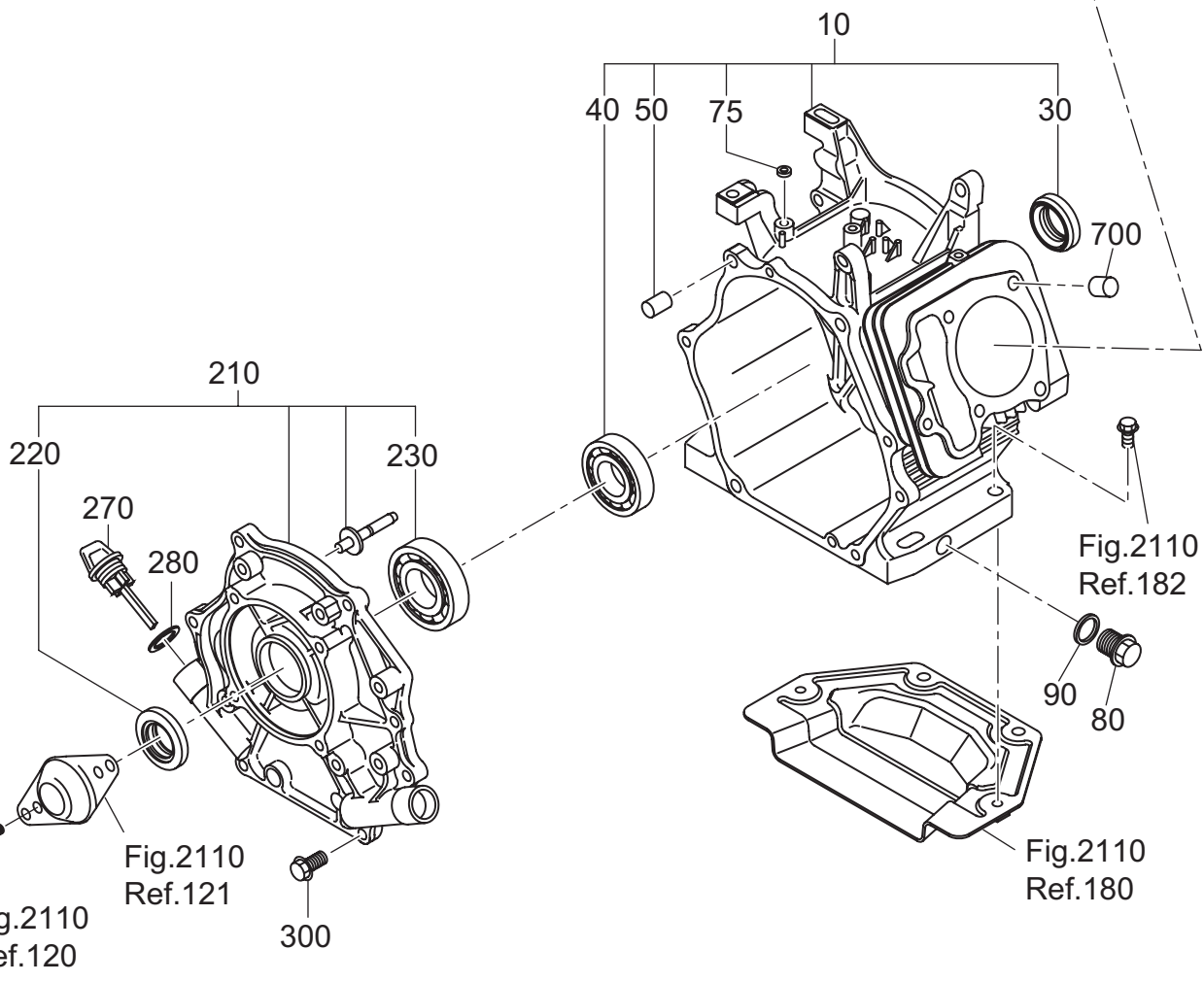
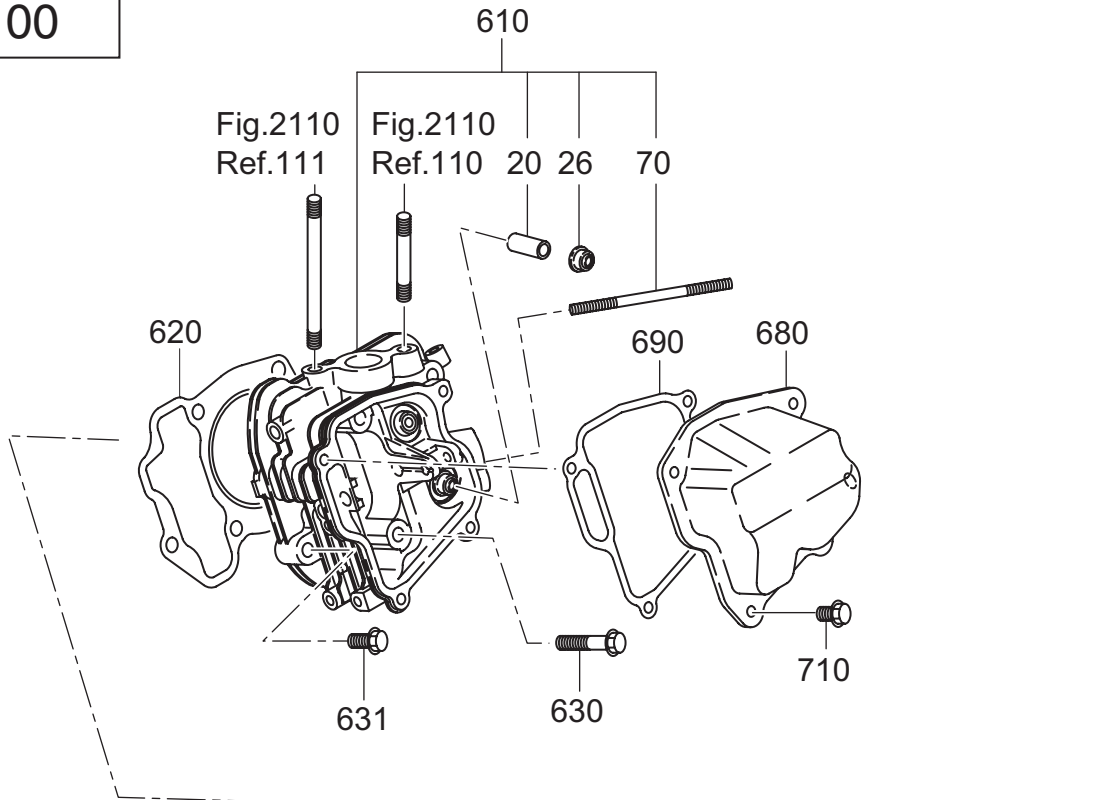


FIG. 100

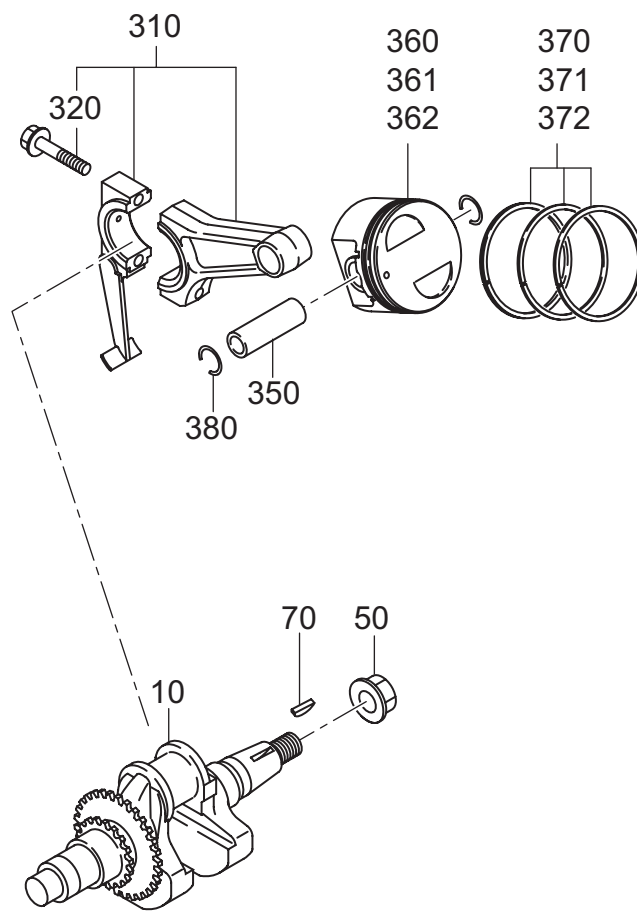


960—GASKET SET

1 CRANK CASE

REF.	PARTS NUMBER	PARTS NAME	QTY	REMARKS	CODE NO. FROM-TO	INTERCHANGEABLE PART NUMBER	UNIT PRICE	FIG.
10	279-10102-51	CRANK CASE CP	1		-			100
20	237-14202-03	VALVE GUIDE	2	O. S.	-			100
26	277-16010-01	STEM SEAL	1		-			100
30	044-03001-60	OIL SEAL	1		-			100
40	060-03003-41	BALL BEARING	1		-			100
50	277-15011-03	PIPE KNOCK	2		-			100
70	010-50604-10	STUD	2		-			100
75	044-00600-20	OIL SEAL	1		-			100
80	040-11400-30	PLUG	2		-			100
90	021-11400-20	GASKET	2		-			100
210	279-11001-21	MAIN BEARING COVER C	1		-			100
220	044-03001-60	OIL SEAL	1		-			100
230	060-03003-70	BALL BEARING	1		-			100
270	279-63601-13	OIL GAUGE	2		-			100
280	021-32000-50	GASKET	2		-			100
300	001-04083-50	FLANGE BOLT	7		-			100
610	279-13005-01	CYLINDER HEAD CP	1		-			100
620	279-15001-33	GASKET (HEAD)	1		-			100
630	011-00802-40	FLANGE BOLT	4	M8X68L	-			100
631	011-00803-10	FLANGE BOLT	1	M8X33L	-			100
680	277-15501-01	ROCKER COVER CP	1		-			100
690	277-16001-13	GASKET (ROCKER COVER)	1		-			100
700	277-15011-03	PIPE KNOCK	2		-			100
710	011-00600-20	FLANGE BOLT	4	M6X12L	-			100
960	279-99001-27	GASKET SET	1		-			100

FIG. 200



3 INTAKE, EXHAUST

REF.	PARTS NUMBER	PARTS NAME	QTY	REMARKS	CODE NO. FROM-TO	INTERCHANGEABLE PART NUMBER	UNIT PRICE	FIG.
10	279-31602-11	CAM SHAFT CP	1		-			300
25	277-35101-03	PIN (CAM SHAFT)	1		-			300
27	024-00600-10	O RING	1		-			300
34	277-38601-03	PIN (SPRING)	1		-			300
35	279-36401-03	RELEASE LEVER	1		-			300
37	277-36501-03	CLIP	1		-			300
38	279-38701-13	RETURN SPRING	1		-			300
60	279-33601-03	VALVE SPRING	2		-			300
70	269-33701-03	SPRING RETAINER	2		-			300
80	279-33401-13	INTAKE VALVE	1		-			300
90	279-33501-13	EXHAUST VALVE	1		-			300
95	132-10KA0-31	COLLET-VALVE	4		-			300
150	279-35601-11	TIMING CHAIN CP	1		-			300
160	277-36911-03	TENTIONER	1		-			300
163	277-37101-03	SPRING (TENTIONER)	1		-			300
166	277-36902-03	PIN (TENTIONER)	1		-			300
170	277-36913-13	CHAIN GUIDE	1		-			300
200	277-35002-01	PIN (ROCKER) CP	1		-			300
202	003-13050-00	CLIP	1		-			300
220	277-36201-00	ROCKER ARM (IN) AY	1		-			300
225	277-36202-00	ROCKER ARM (EX) AY	1		-			300
230	014-90500-20	ADJUST SCREW	1	M5	-			300
231	014-90500-20	ADJUST SCREW	1	M5	-			300
240	017-00500-30	NUT	1	M5	-			300
241	017-00500-30	NUT	1	M5	-			300
290	011-00600-20	FLANGE BOLT	1	M6X12L	-			300

FIG. 400

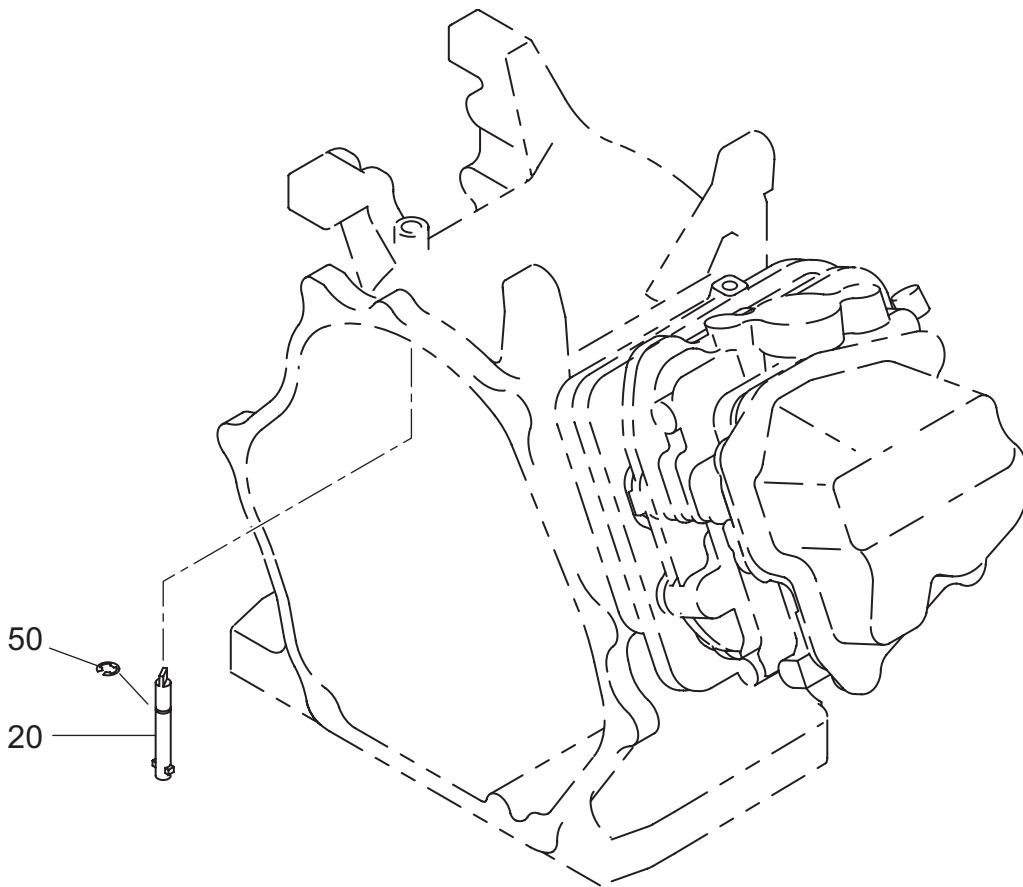


FIG. 500

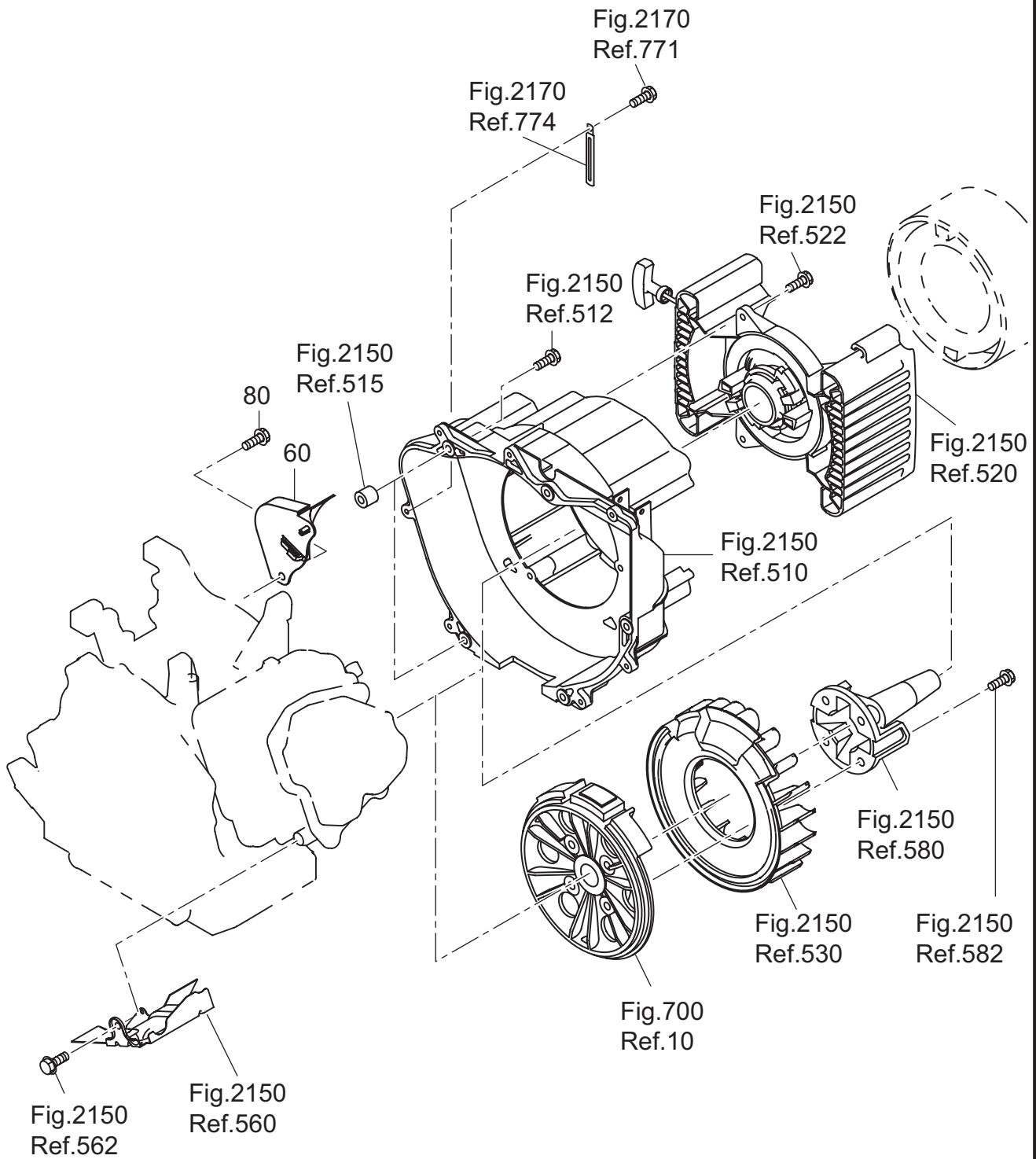


FIG. 700

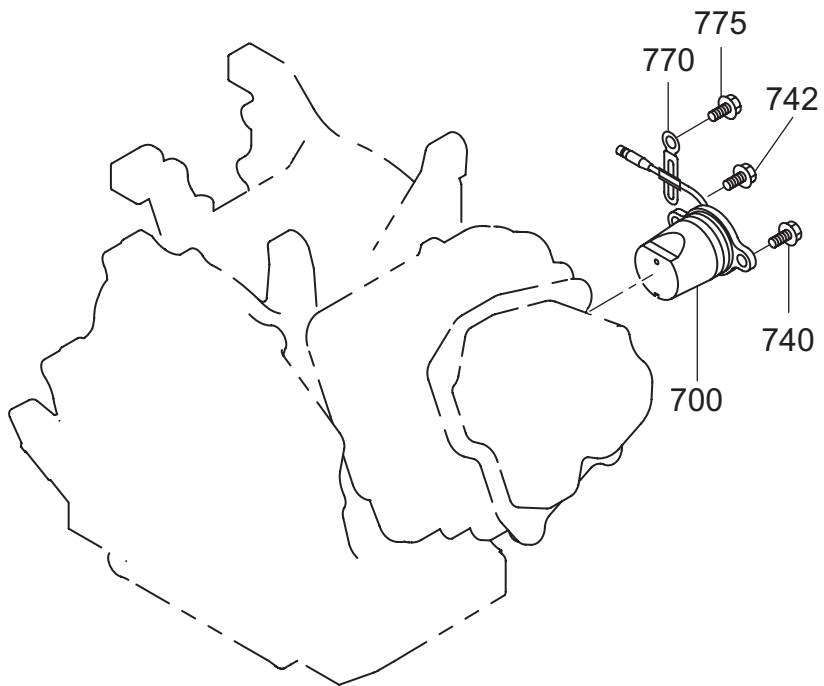
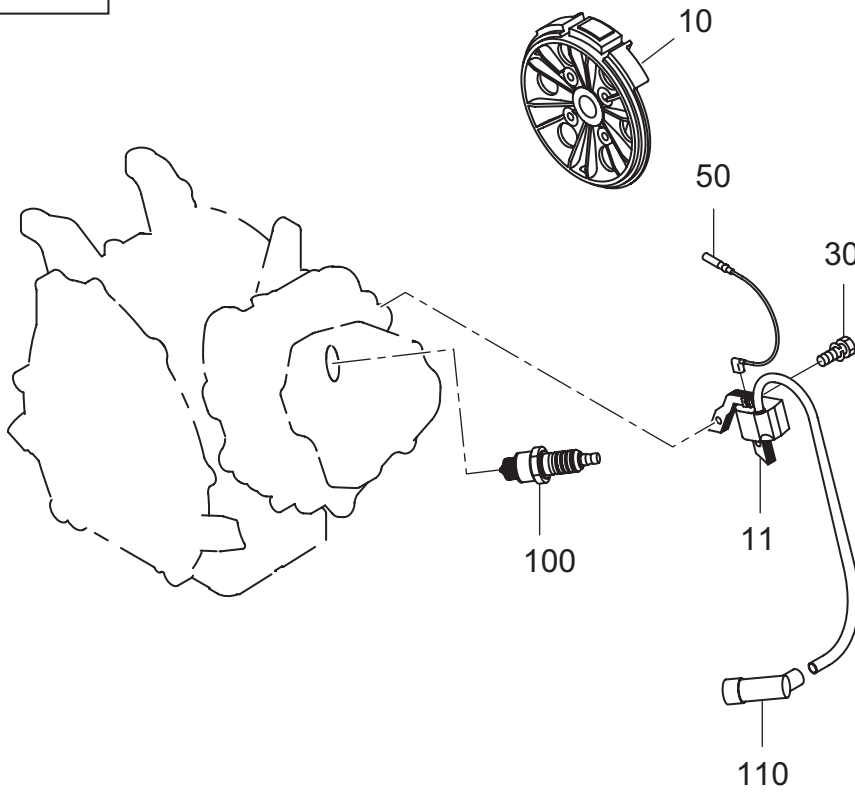


Fig.2160 Ref.610 CARBURETOR AY

FIG. 2110

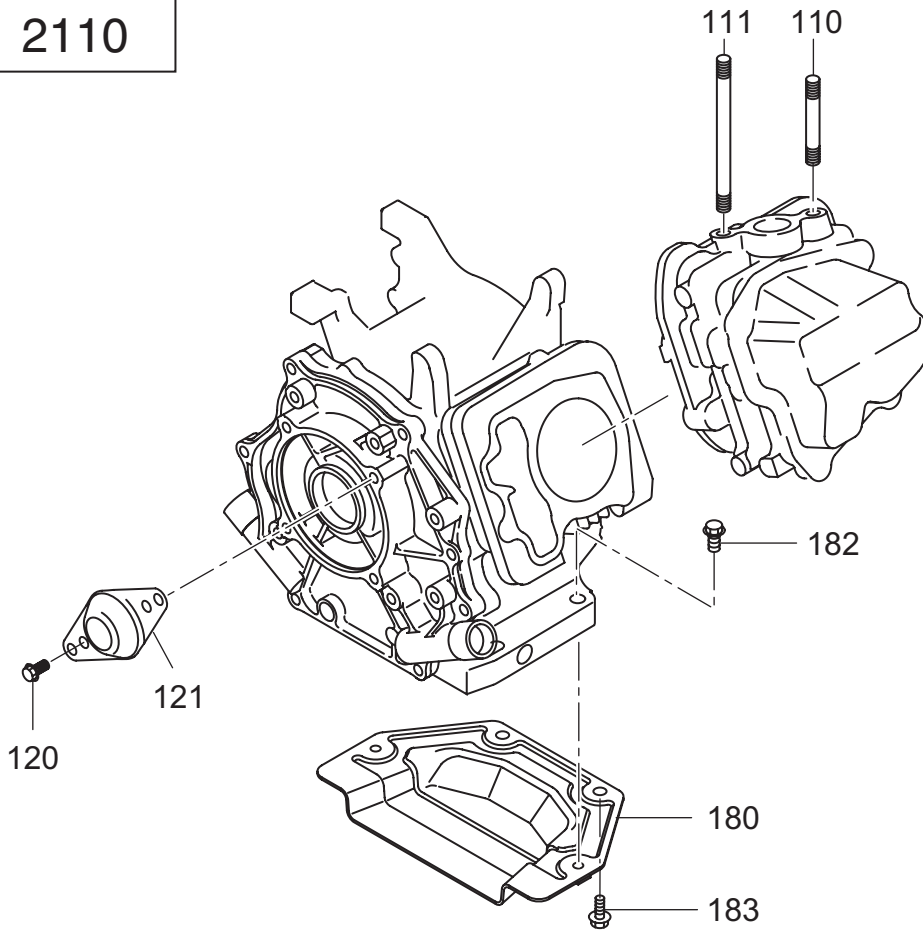


FIG. 2130

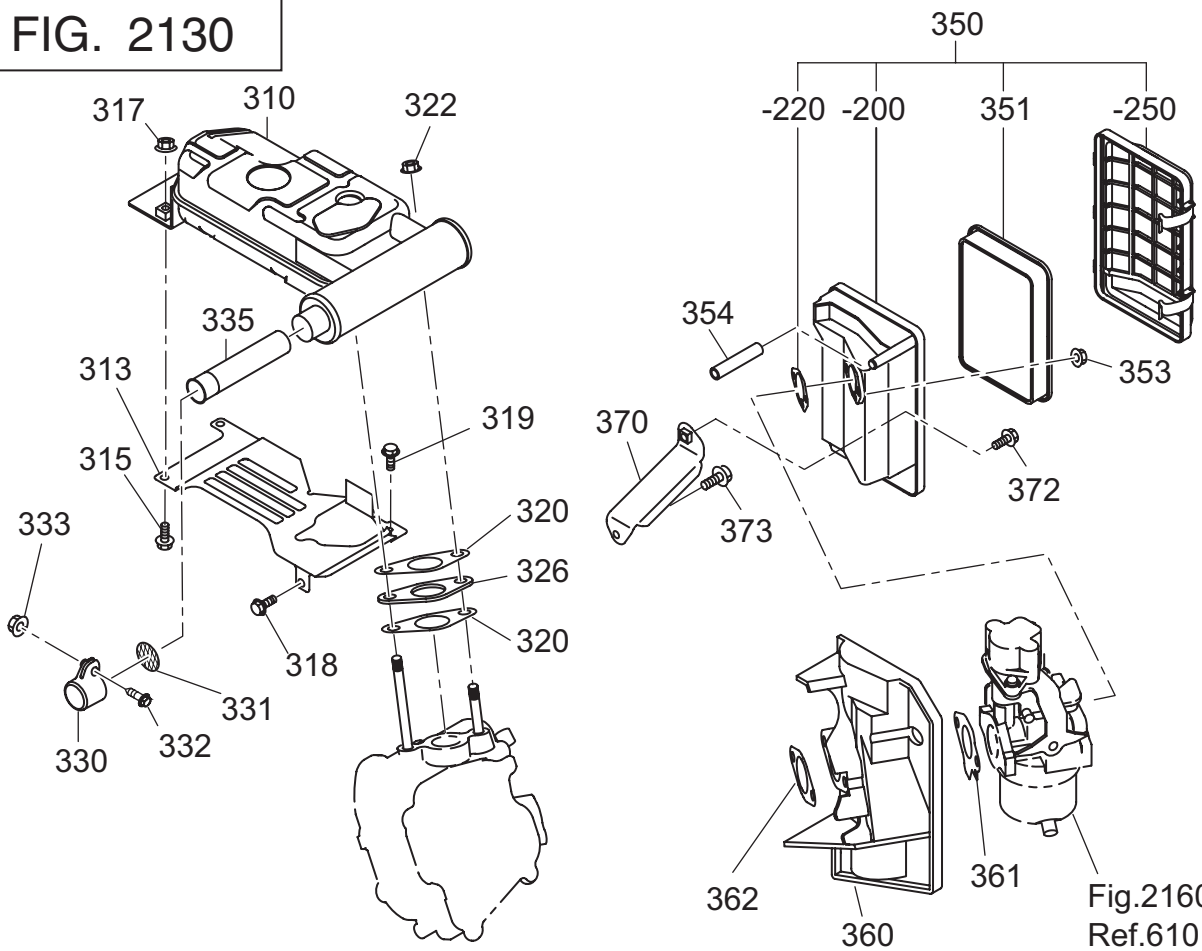


FIG. 2150

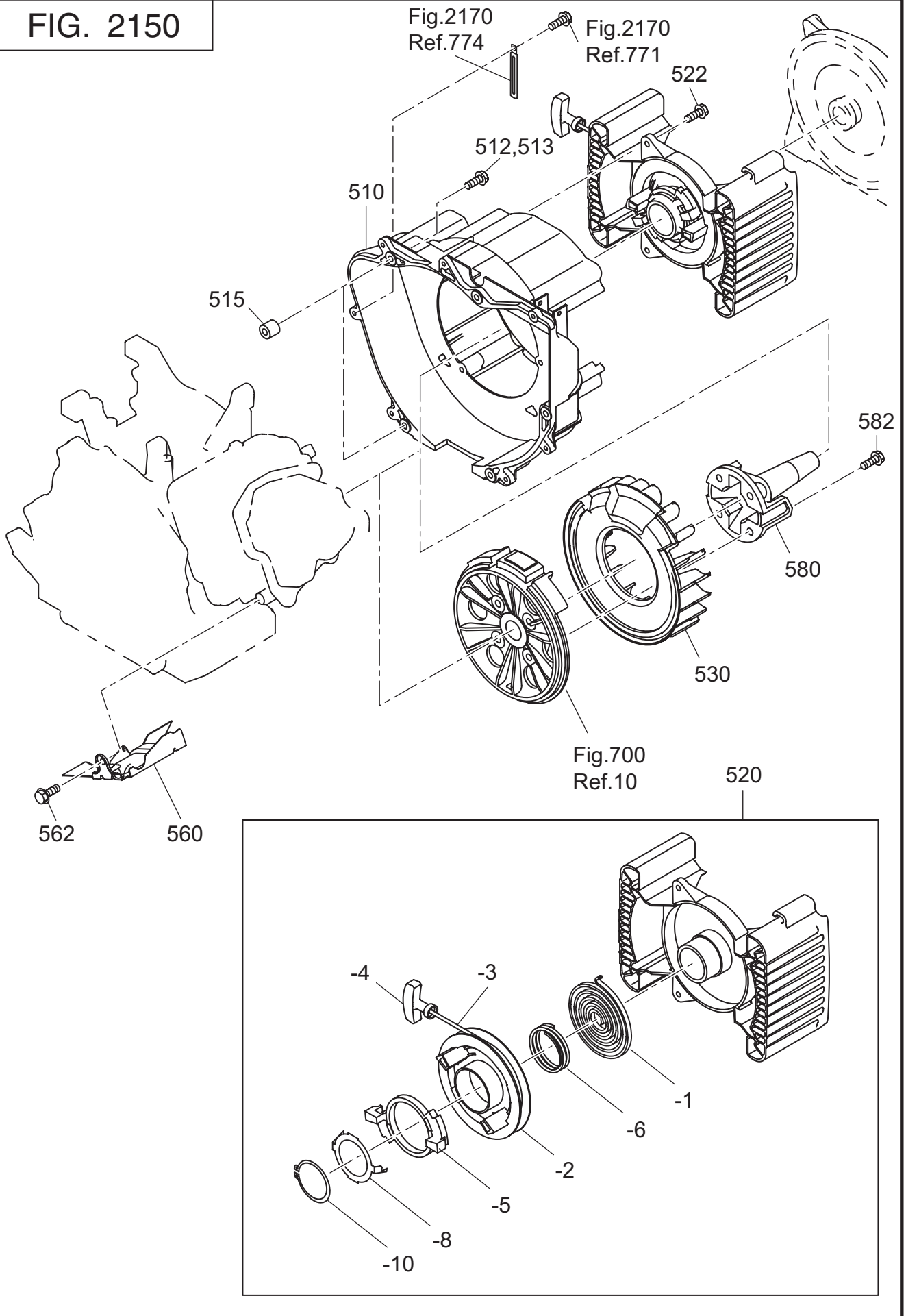


FIG. 2160

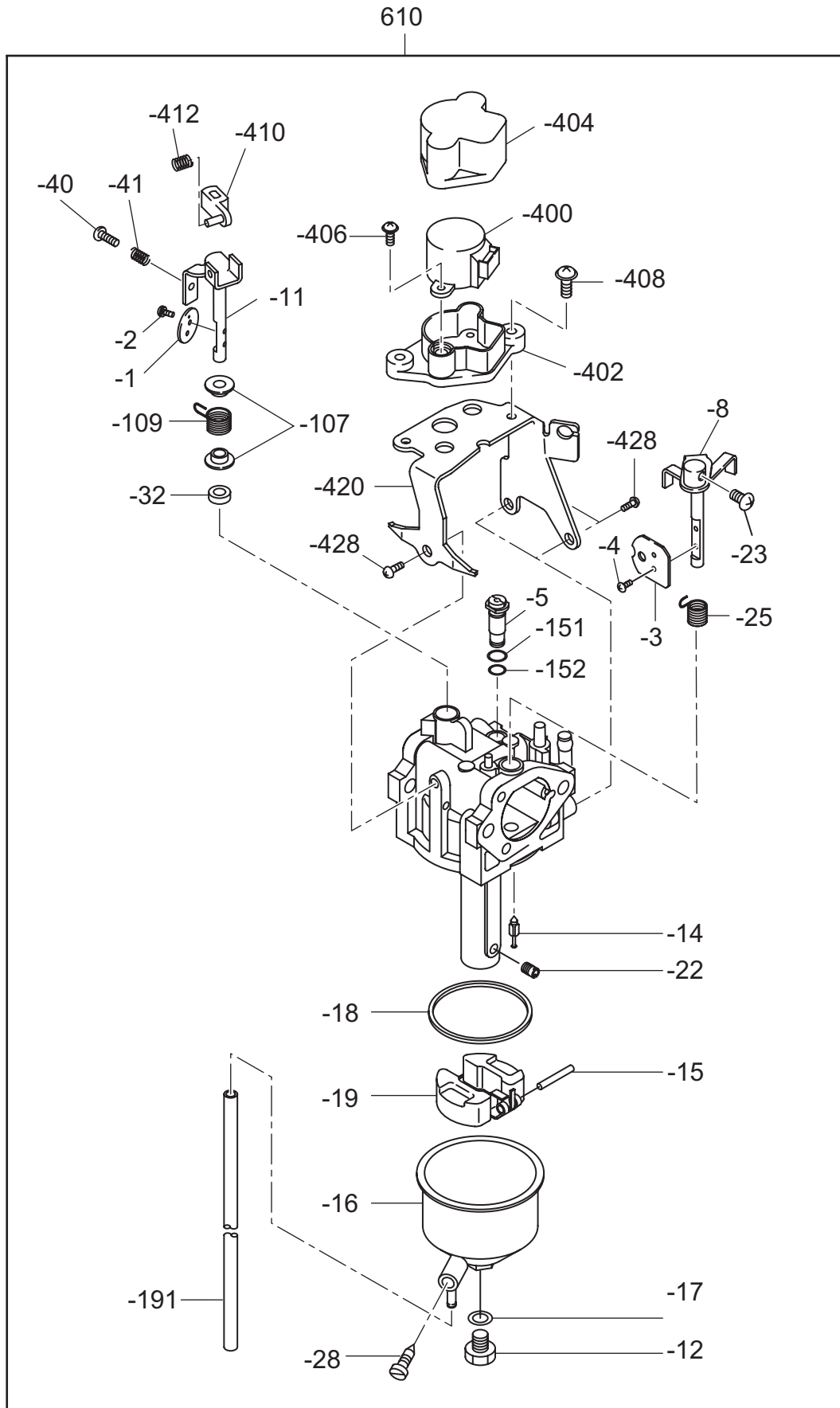
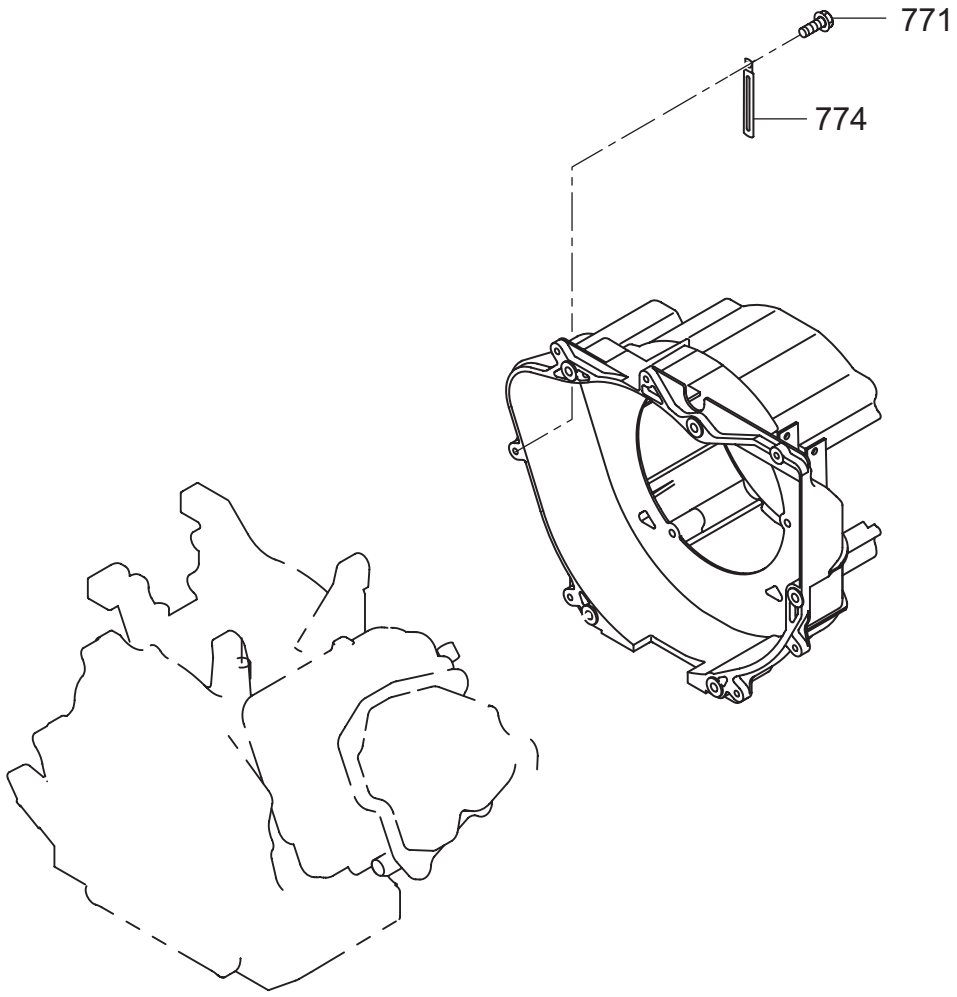


FIG. 2170



2 1 ENGINE

REF.	PARTS NUMBER	PARTS NAME	QTY	REMARKS	CODE NO. FROM-TO	INTERCHANGEABLE PART NUMBER	UNIT PRICE	FIG.
110	010-50802-90	STUD	1		-			2110
111	010-50804-40	STUD	1	M8X120L	-			2110
120	011-00801-50	FLANGE BOLT	2	M8X12L	-			2110
121	277-87001-03	COVER (CRANK SHAFT)	1		-			2110
180	33D-35001-01	BOTTOM EXT. PLATE CP	1		-			2110
182	011-00802-70	FLANGE BOLT	2	M8X33L	-			2110
183	011-00801-50	FLANGE BOLT	2	M8X12L	-			2110
310	279-30402-01	MUFFLER CP	1		-			2130
313	33D-52601-03	BAFFLE	1		-			2130
315	011-00802-70	FLANGE BOLT	2	M8X33L	-			2130
317	002-38080-00	FLANGE NUT	2		-			2130
318	011-00803-20	FLANGE BOLT	1	M8X12L	-			2130
319	011-00600-10	FLANGE BOLT	1	M6X8L	-			2130
320	277-35201-13	GASKET (MUFFLER)	2		-			2130
322	980-20082-80	FLANGE NUT	2	M8	-			2130
326	279-39201-03	FLANGE	1		-			2130
330	277-37210-03	TAIL SCREEN COVER	1		-			2130
331	277-37220-03	SCREEN	1		-			2130
332	004-35051-60	SCREW AND WASHER AY	1		-			2130
333	002-18050-00	NUT	1		-			2130
335	279-37603-01	SPARK ARESTER CP	1		-			2130
350	279-32622-00	AIR CLEANER AY	1		-			2130
-200	279-32635-08	CLEANER BODY CP	1		-			2130
-220	279-32650-08	GASKET	1		-			2130
-250	279-32646-08	COVER CP	1		-			2130
351	279-32612-08	ELEMENTAY	1		-			2130
353	002-38060-00	FLANGE NUT	2		-			2130
354	085-10800-00	RUBBER PIPE	1	8DX11D	-			2130
360	279-32910-03	INSULATOR	1		-			2130
361	279-35902-H3	GASKET 1 (INSULATOR)	1		-			2130
362	279-35903-H3	GASKET 2 (INSULATOR)	1		-			2130
370	279-39004-01	BRACKET (A/C) CP	1		-			2130
372	011-00600-50	FLANGE BOLT	1	M6X20L	-			2130
373	011-00601-50	FLANGE BOLT	1	M6X10L	-			2130
510	279-52001-13	BLOWER HOUSING	1		-			2150
512	001-14063-00	BOLT AND WASHER AY	1		-			2150

2 1 ENGINE

REF.	PARTS NUMBER	PARTS NAME	QTY	REMARKS	CODE NO. FROM-TO	INTERCHANGEABLE PART NUMBER	UNIT PRICE	FIG.
513	001-14066-00	BOLT AND WASHER AY	4		-			2150
515	980-40081-10	STR PIN -8X10	2	M6	-			2150
520	277-50401-00	RECOIL STARTER AY	1		-			2150
-1	277-50402-08	SPIRAL SPRING	1		-			2150
-2	277-50403-08	REEL	1		-			2150
-3	277-50408-08	STARTER PORE	1		-			2150
-4	277-50409-08	STARTER KNOB	1		-			2150
-5	277-50404-08	RACHET	1		-			2150
-6	277-50405-08	FRICITION SPRING	1		-			2150
-8	277-50407-08	FRICITION PLATE	1		-			2150
-10	277-50406-08	RETAINING RING	1		-			2150
522	011-00601-40	FLANGE BOLT	3	M6X18L	-			2150
530	279-54110-03	COOLING BLOWER	1		-			2150
560	279-52702-13	BAFFLE 2 (HEAD)	1		-			2150
562	011-00600-20	FLANGE BOLT	1	M6X12L	-			2150
580	277-24401-03	DRIVING SHAFT	1		-			2150
582	011-01001-10	FLANGE BOLT	4	M8X27L	-			2150
610	279-62330-00	CARBURETOR AY	1		-			2160
-1	279-62535-08	THROTTLE VALVE	1		-			2160
-2	251-62450-08	SCREW	2		-			2160
-3	279-62526-08	CHOKE VALVE	1		-			2160
-4	251-62450-08	SCREW	2		-			2160
-5	279-62420-08	SLOW JET	1		-			2160
-8	279-62521-08	CHOKE LEVER	1		-			2160
-11	279-62531-08	THROTTLE SHAFT	1		-			2160
-12	251-62453-08	BOLT	1		-			2160
-14	279-62500-08	NEEDLE	1		-			2160
-15	279-62515-08	PIN	1		-			2160
-16	279-62553-08	FLOAT BODY	1		-			2160
-17	251-62350-08	GASKET	1		-			2160
-18	279-62540-08	GASKET CHAMBER	1		-			2160
-19	279-62505-08	FLOAT SUB AY	1		-			2160
-22	279-62400-08	JET MAIN	1		-			2160
-23	284-62456-08	SCREW	1		-			2160
-25	279-62447-08	SPRING (CHOKE)	1		-			2160
-28	279-62581-08	SCREW	1		-			2160

FIG. 2170

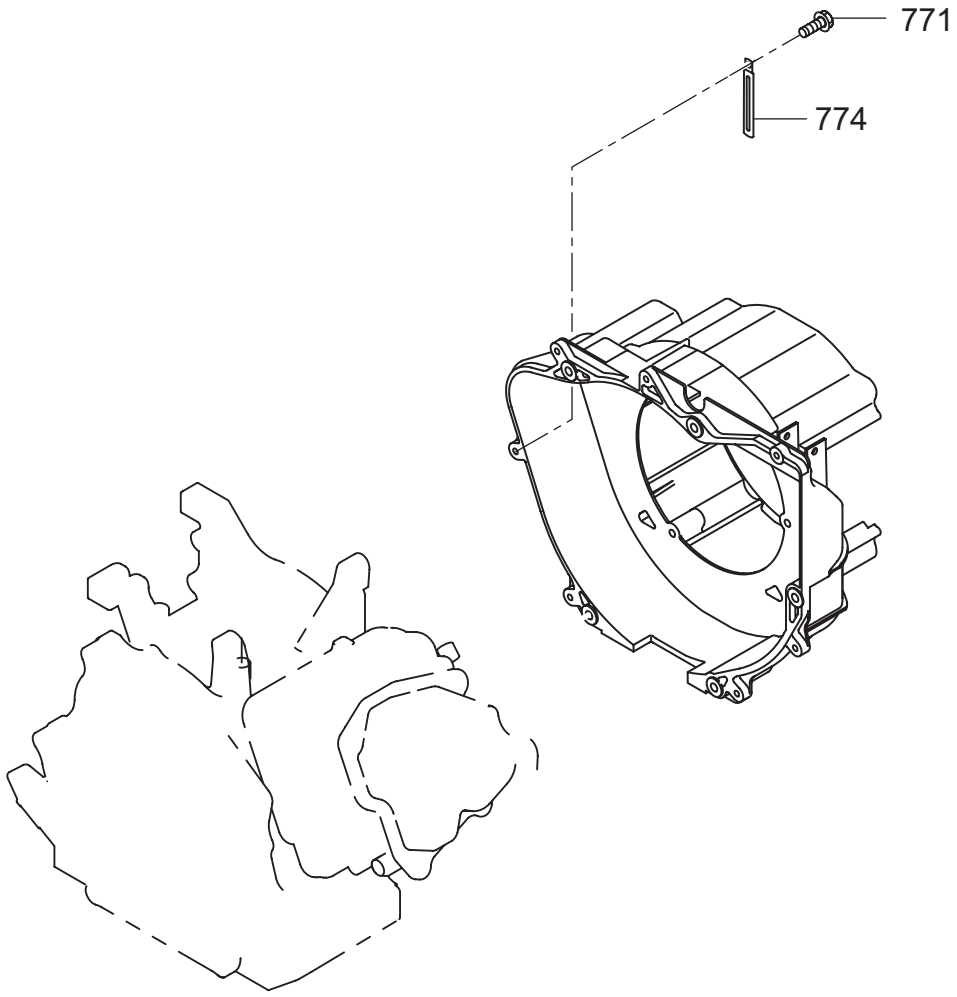
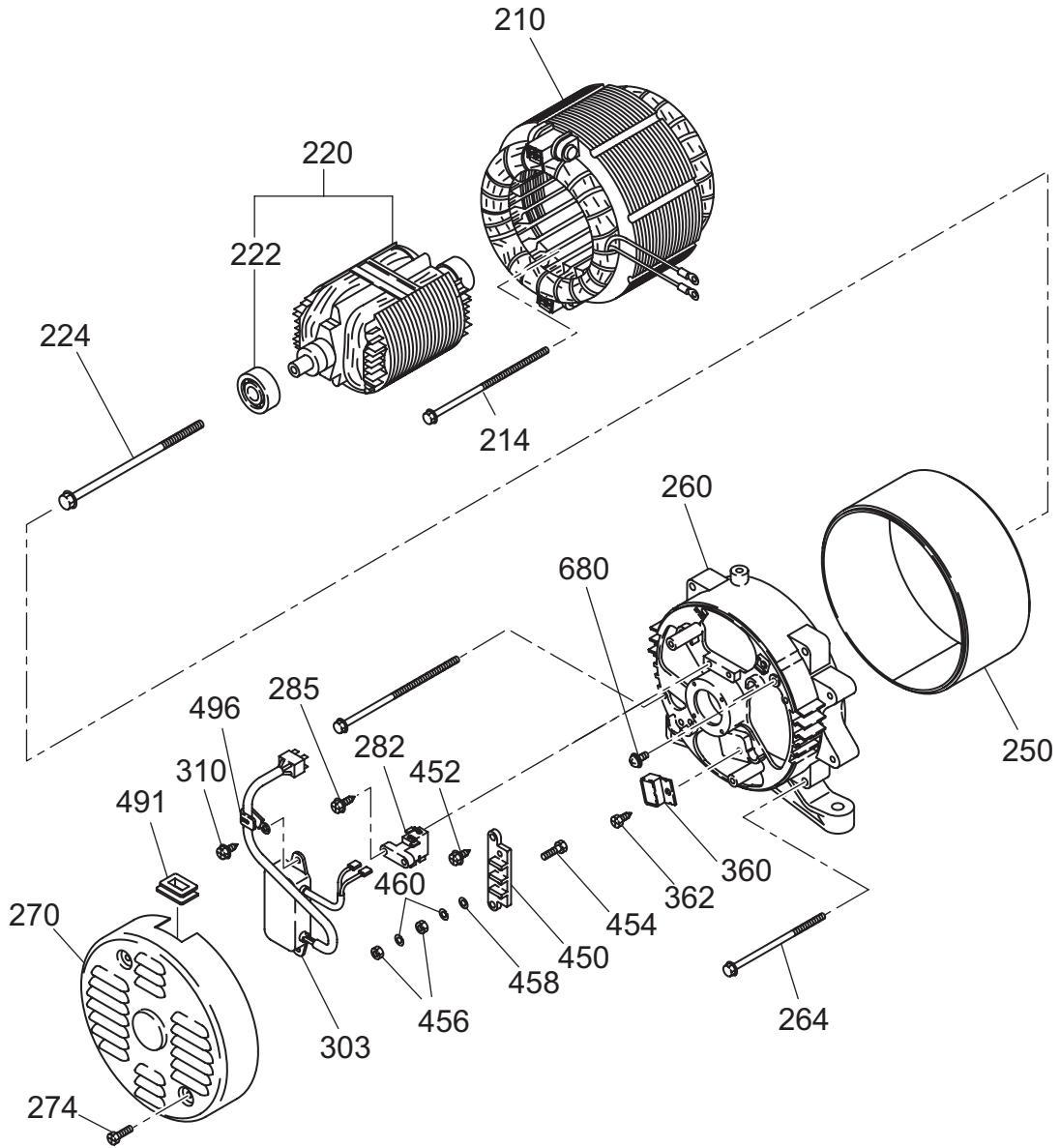


FIG. 2200



2 2 GENERATOR

REF.	PARTS NUMBER	PARTS NAME	QTY	REMARKS	CODE NO. FROM-TO	INTERCHANGEABLE PART NUMBER	UNIT PRICE	FIG.
210	33D-22352-01	STATOR AY	1		-			2200
214	33C-21052-08	BOLT	2	M5X135L	-			2200
220	33D-21161-01	ROTOR	1		-			2200
222	32D-21001-08	BALL BEARING	1		-			2200
224	33D-21053-08	ROTOR BOLT	1	M10X185L	-			2200
250	33D-23061-01	STATOR COVER	1		-			2200
260	32D-23071-01	REAR COVER	1		-			2200
264	33D-21051-08	STATOR BOLT	4	M6X115L	-			2200
270	33B-23051-01	END COVER	1		-			2200
274	33B-21052-08	BOLT	2	M5X10L	-			2200
282	32D-23101-01	BRUSH CP	1		-			2200
285	32D-21062-08	SCREW	1	M5X18L	-			2200
303	33B-23001-00	AVR AY	1		-			2200
310	32D-21055-08	SCREW	2	M5X14L	-			2200
360	32D-23121-01	DIODE STACK	1		-			2200
362	32D-21056-08	SCREW	1		-			2200
450	32D-21052-08	BASE	1		-			2200
452	32D-21055-08	SCREW	2	M5X14L	-			2200
454	32D-21061-08	BOLT	2		-			2200
456	32D-21051-08	NUT	2	M5	-			2200
458	32D-21053-08	WASHER	2		-			2200
460	32D-21054-08	SPRING WASHER	2		-			2200
491	32B-45002-03	GROMMET	1		-			2200
496	32D-21060-08	CLAMP	1		-			2200
680	32D-21063-08	SCREW	1	M5X12L	-			2200

FIG. 2300

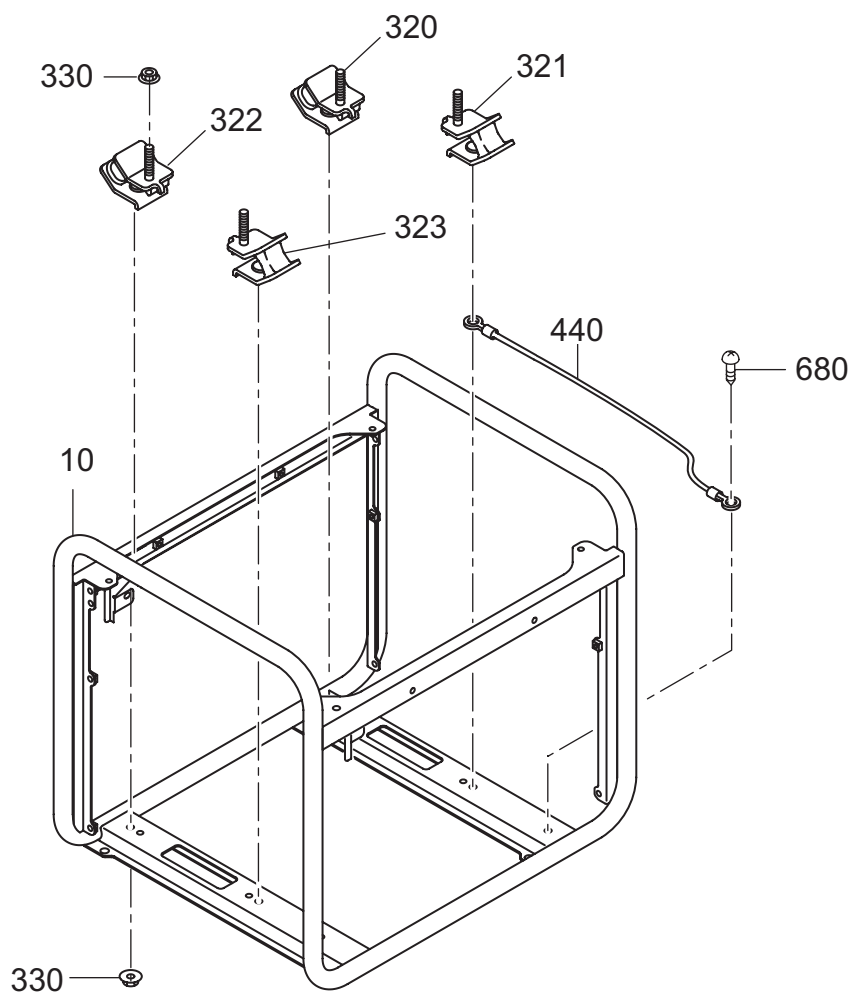
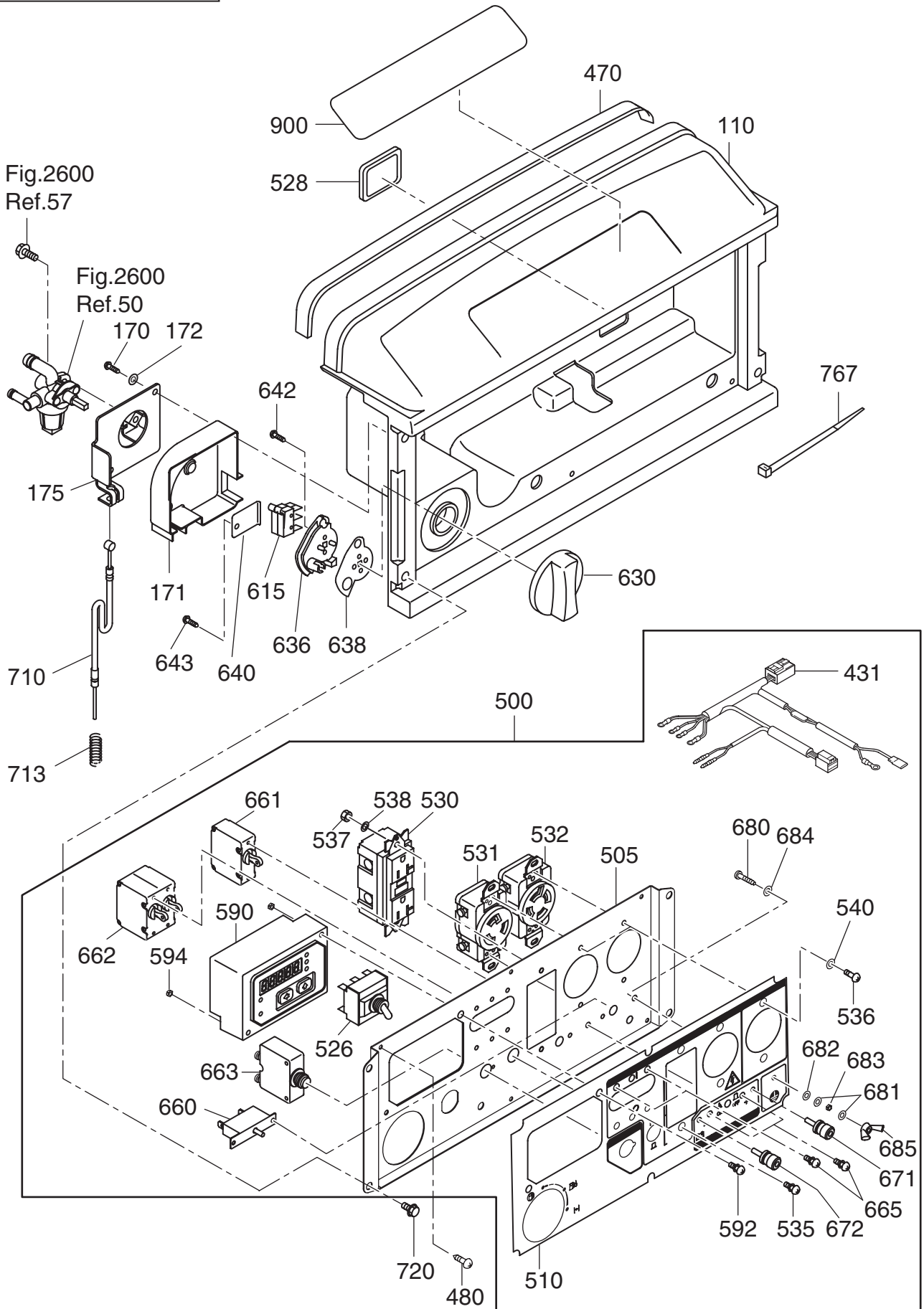


FIG. 2400

60Hz 120V USA



2 4 CONTROL

REF.	PARTS NUMBER	PARTS NAME	QTY	REMARKS	CODE NO. FROM-TO	INTERCHANGEABLE PART NUMBER	UNIT PRICE	FIG.
110	33B-50001-01	FRONT COVER (UPPER) CP	1		-			2400
170	015-00400-70	TAPPING SCREW	2		-			2400
171	33B-46001-03	COVER (COCK)	1		-			2400
172	003-10040-00	WASHER	2		-			2400
175	33B-46012-01	BRACKET (COCK)	1		-			2400
431	33B-48011-01	WIRE HARNESS CP	1		-			2400
470	34B-57311-03	SEAL SPONGE FC2	1		-			2400
480	353-49904-08	TAPPING SCREW	6		-			2400
500	33D-41981-00	CONTROL PANEL AY	1		-			2400
505	33B-45014-01	PANEL PLATE CP	1		-			2400
510	33B-49020-03	SHEET (PANEL AR) 20	1		-			2400
526	355-45613-11	SWITCH AY (9P)	1		-			2400
528	227-75001-03	GROMMET	1		-			2400
530	388-85003-01	AC CONCENT (GFCI)	1	125V-20A	-			2400
531	356-45711-08	AC CONCENT (NEMA)	1	125V-30A	-			2400
532	353-45724-08	AC CONCENT (NEMA)	1	125250V-20A	-			2400
535	004-35041-00	SCREW AND WASHER AY	2		-			2400
536	356-59937-08	SCREW	4		-			2400
537	002-27040-00	NUT	2		-			2400
538	003-10040-00	WASHER	2		-			2400
540	326-00335-08	SPRING WASHER	4		-			2400
590	KU3-11740-11	MONITOR C/U CP (AVR5)	1		-			2400
592	013-10400-80	SCREW AND WASHER AY	2		-			2400
594	002-17040-00	NUT	2		-			2400
615	33K-41811-03	MICRO SWITCH	2		-			2400
630	33K-42010-03	CONTROL DIAL	1		-			2400
636	33K-42020-03	CHOKE REEL	1		-			2400
638	33K-42030-13	PLATE	1		-			2400
640	33B-46015-01	BRACKET (MICRO)	1		-			2400
642	33K-41814-08	TAPPING SCREW	2	M3X16L	-			2400
643	015-00400-70	TAPPING SCREW	1		-			2400
660	352-45620-08	CIRCUIT BREAKER	1	201-10A	-			2400
661	32B-43166-01	CIRCUIT BREAKER	1	30A	-			2400
662	32B-43196-01	CIRCUIT BREAKER	1	16A	-			2400
663	31C-73008-03	CIRCUIT BREAKER	1	20A	-			2400
665	31B-79011-03	SCREW	8		-			2400

FIG. 2400

60Hz 120V USA

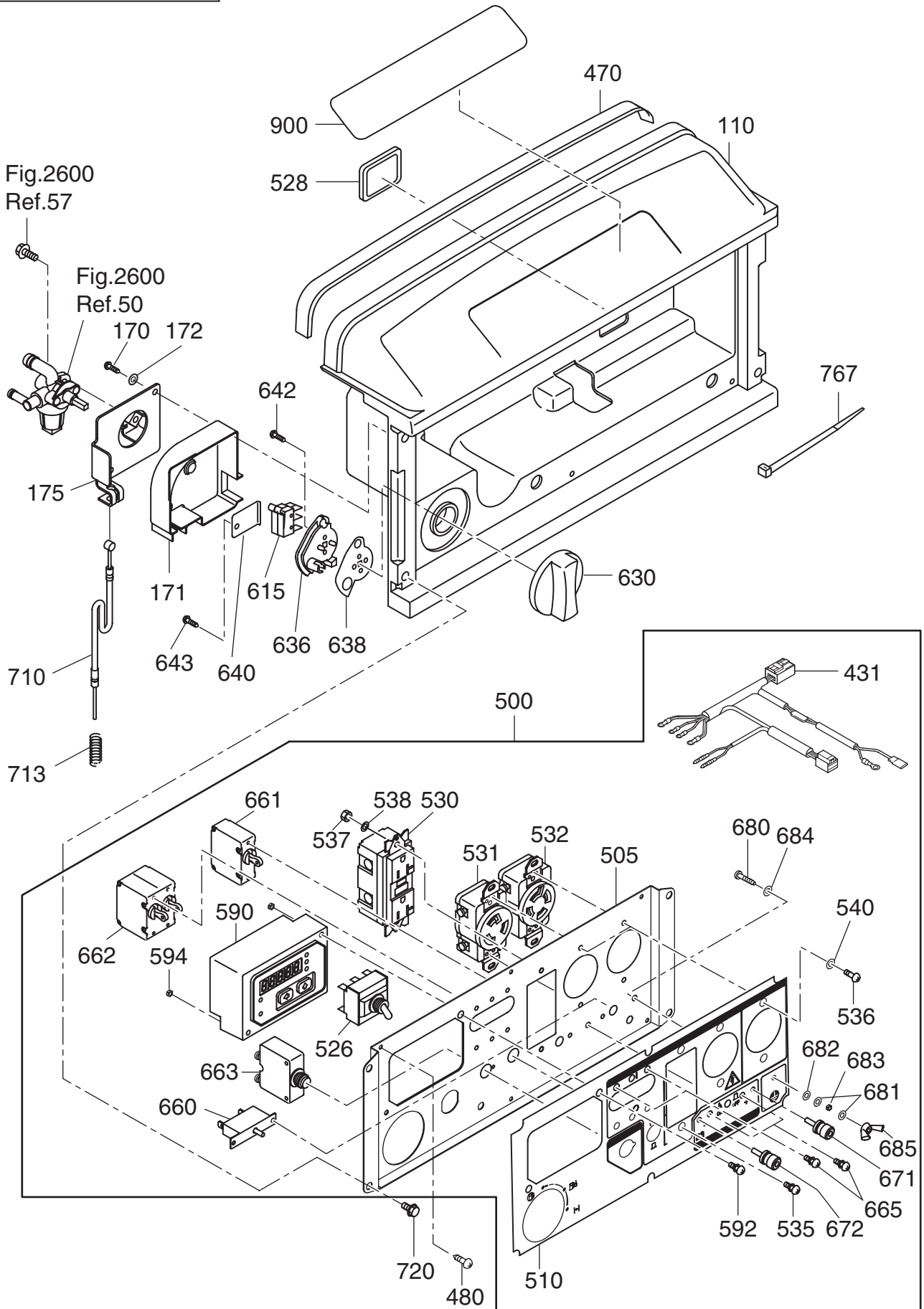


FIG. 2500

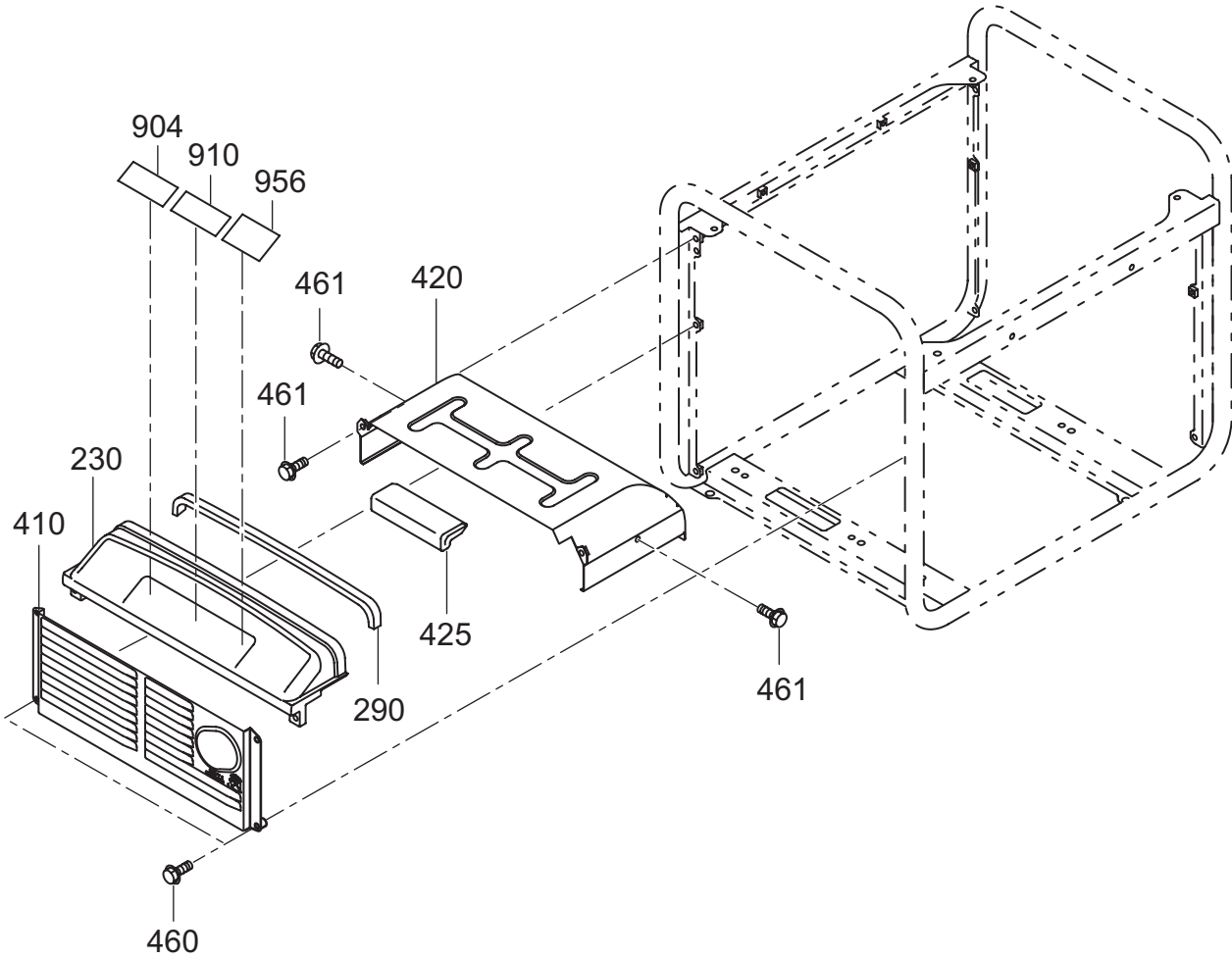


FIG. 2600

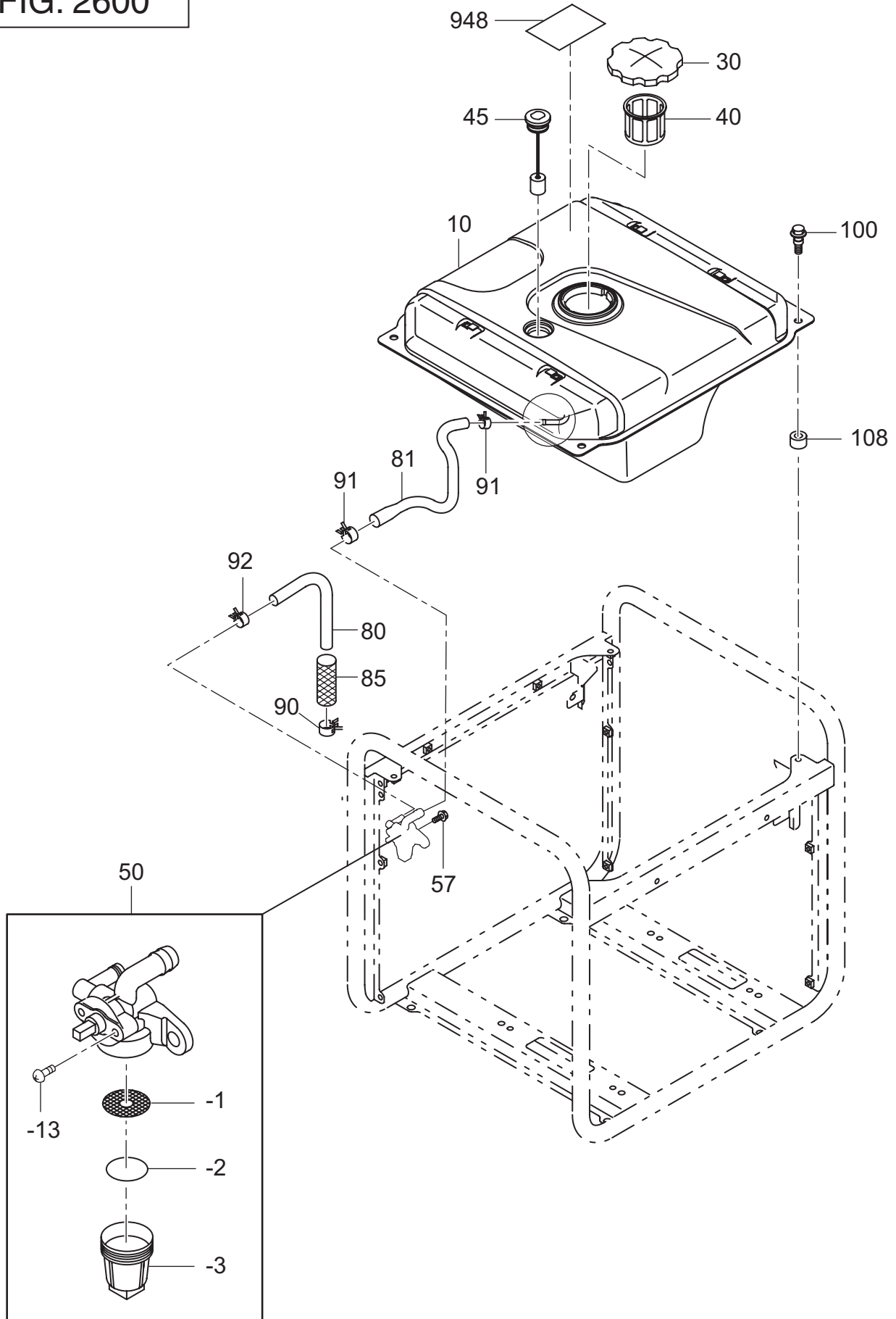


FIG. 2900

