



Robin Generator

Model RG4300iS

For AUS

PARTS CATALOG

Spec. No. RAS43018510
(E/G Spec. No. EX270DS2080)

富士重工業株式会社
FUJI HEAVY INDUSTRIES LTD.

ISSUE EMD-GP6026	
ISSUE DATE	2004.05

FIG. 100

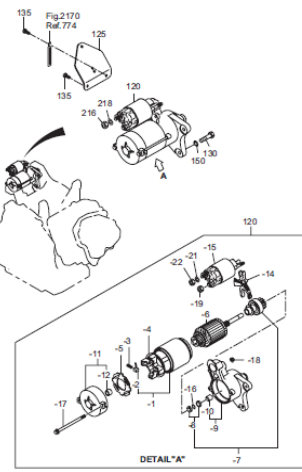
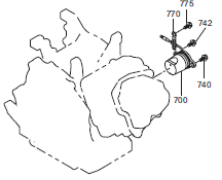
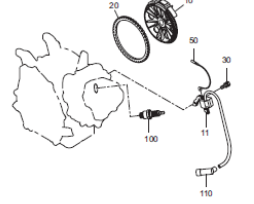
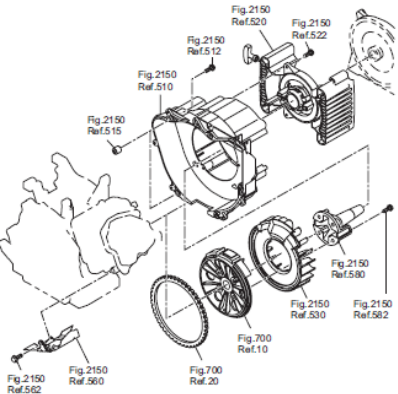
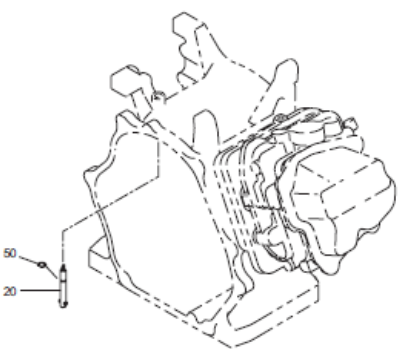
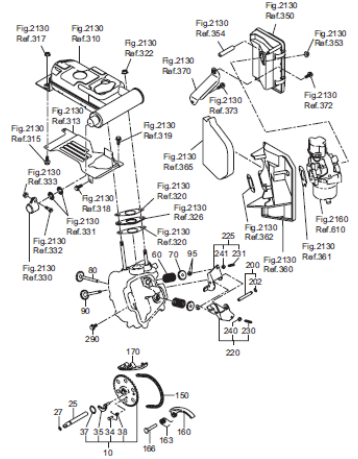
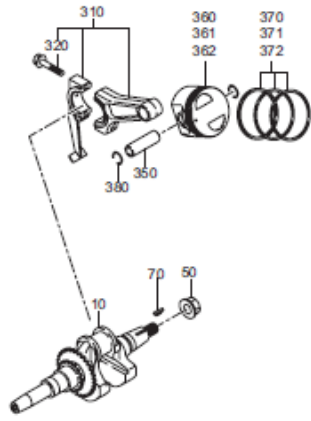
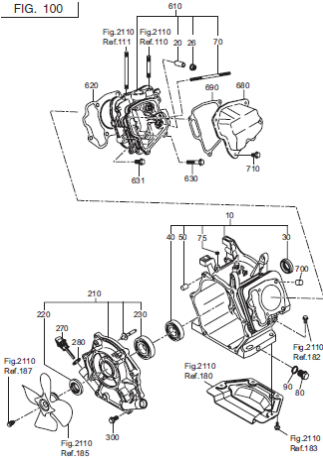


FIG. 2110

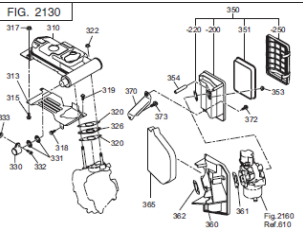
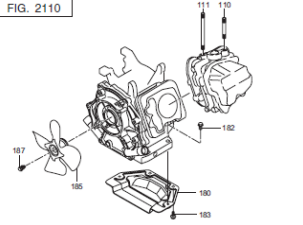
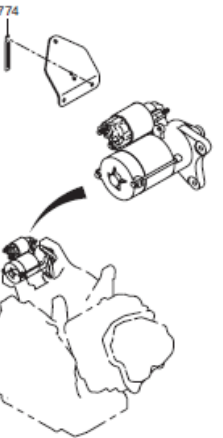
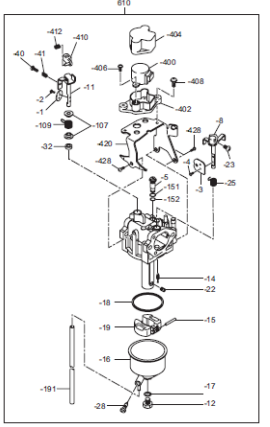
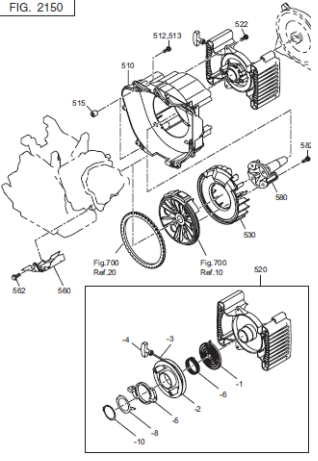


FIG. 2150



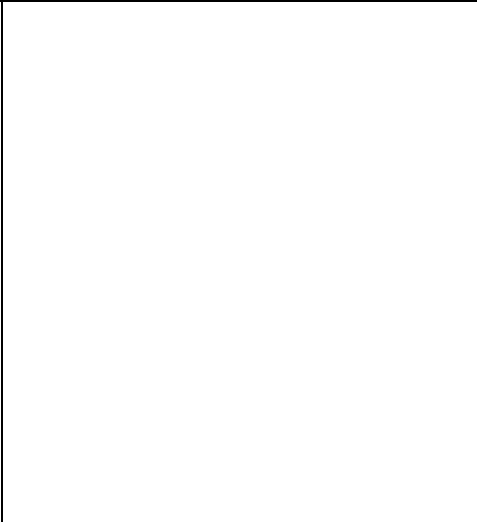
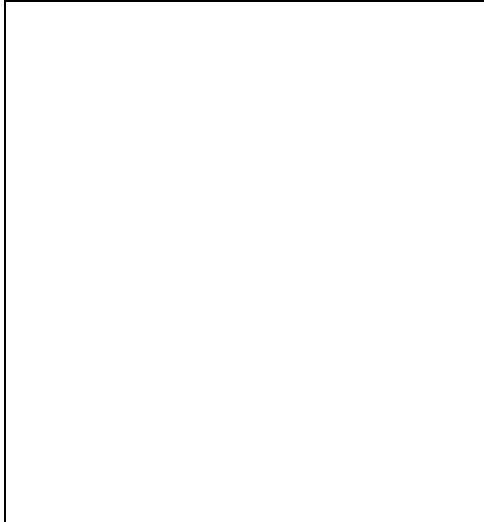
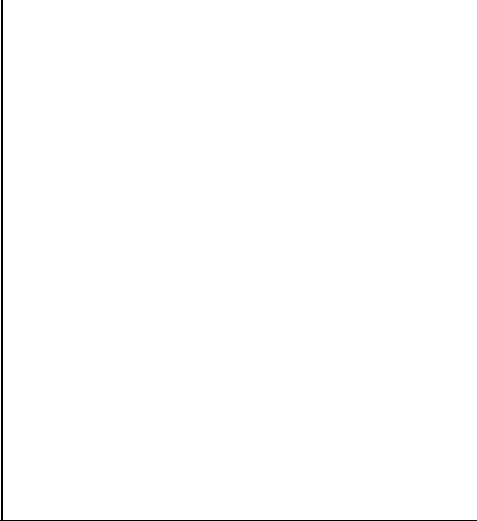
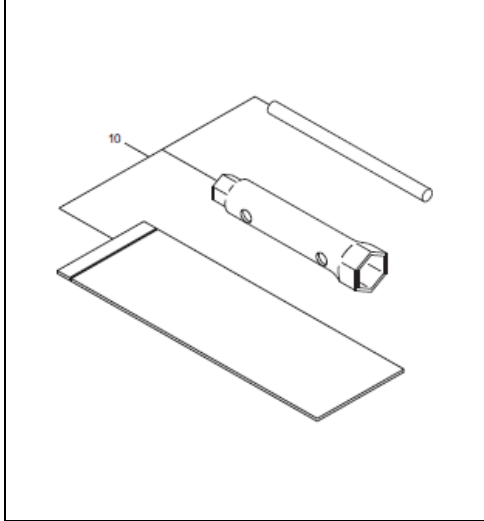
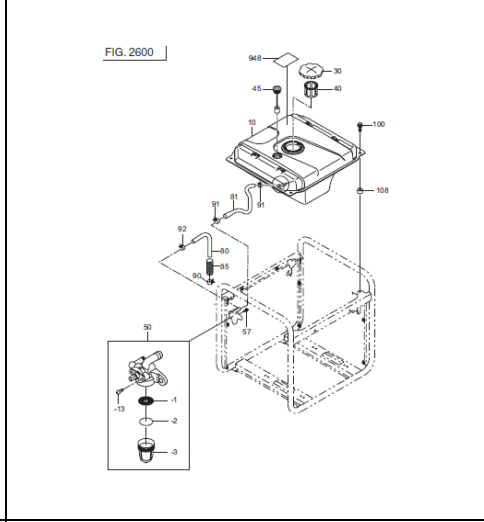
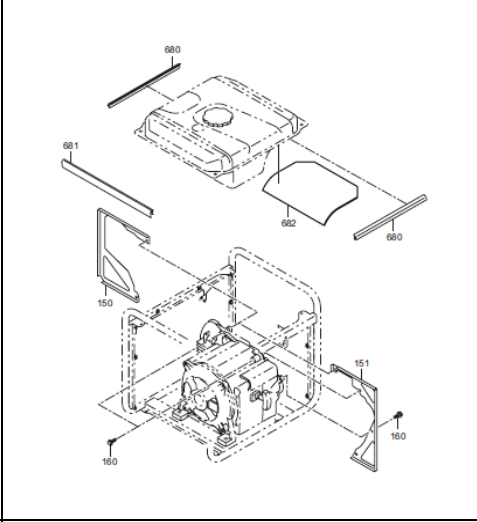
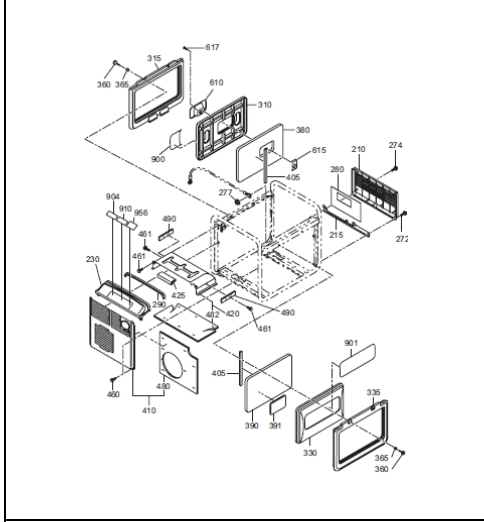
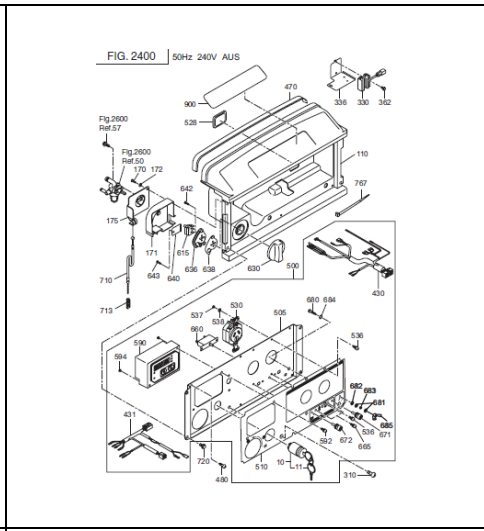
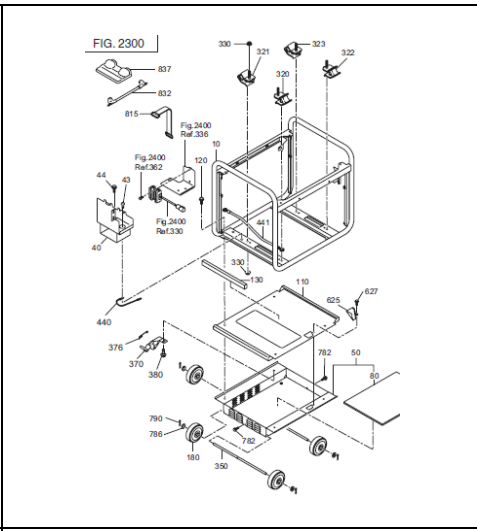
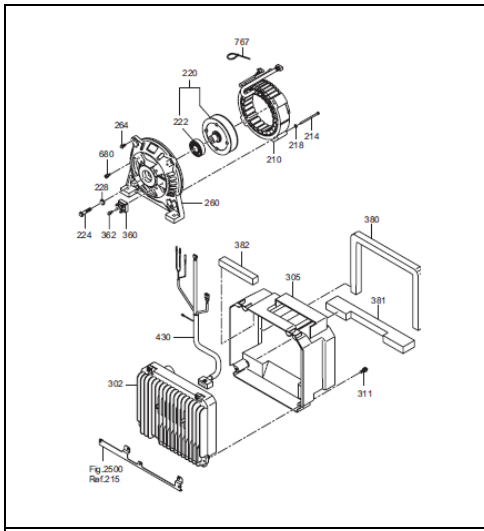
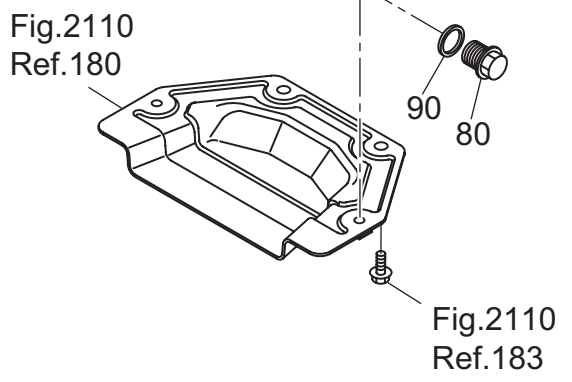
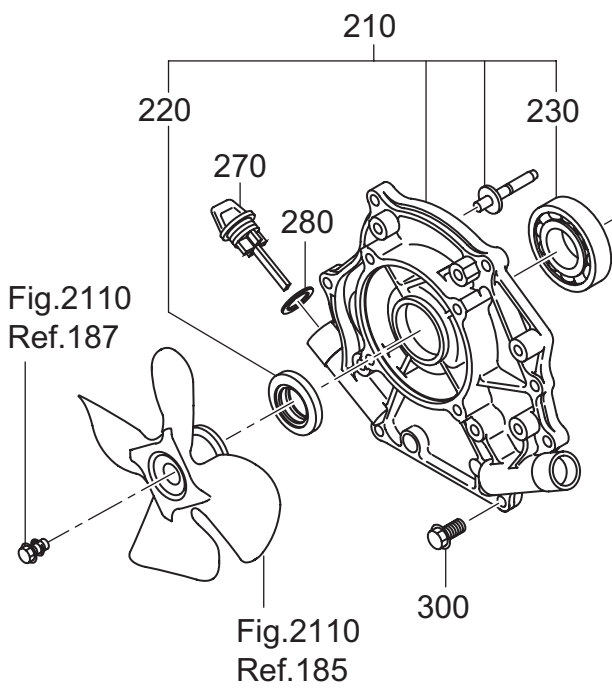
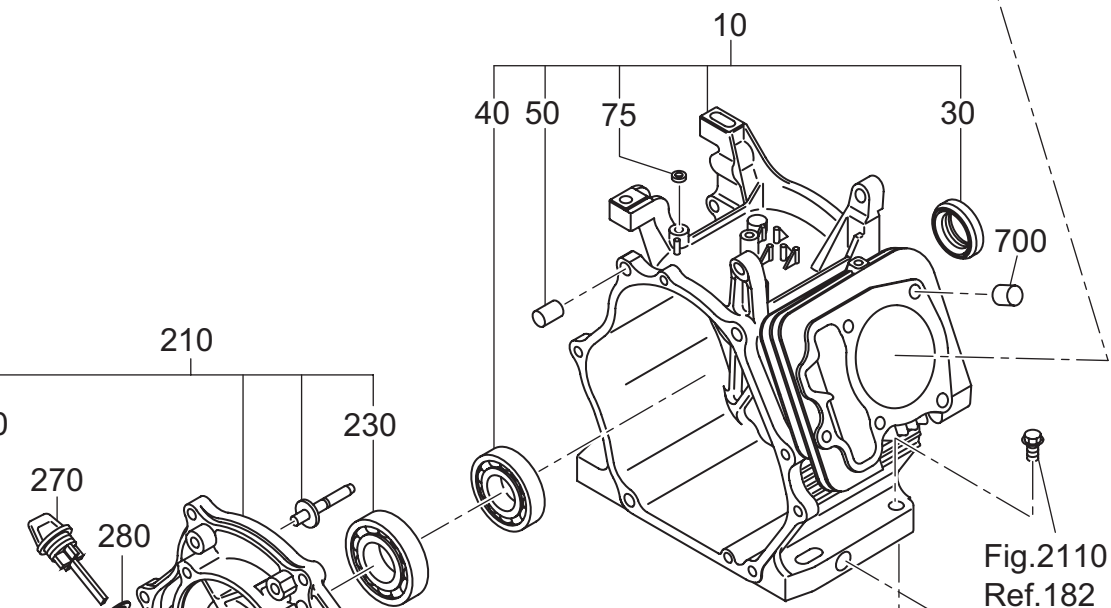
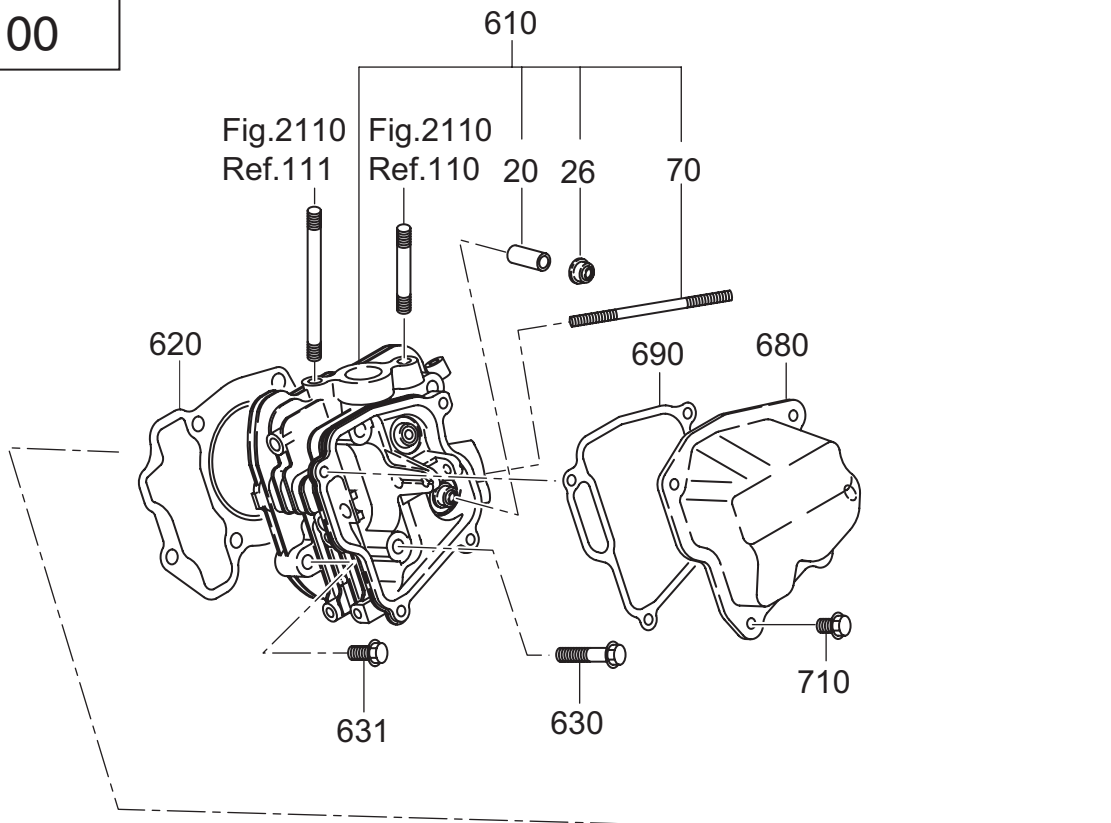


FIG. 100

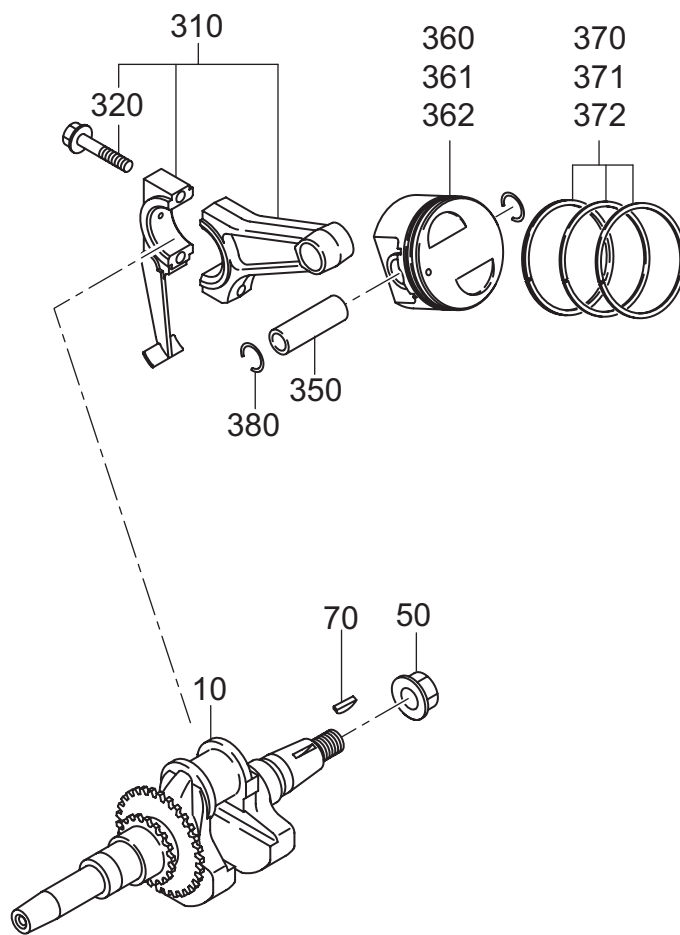


960—GASKET SET

1 CRANK CASE

REF.	PARTS NUMBER	PARTS NAME	QTY	REMARKS	CODE NO. FROM-TO	INTERCHANGEABLE PART NUMBER	UNIT PRICE	FIG.
10	279-10102-51	CRANK CASE CP	1		-			100
20	237-14202-03	VALVE GUIDE	2	O. S.	-			100
26	277-16010-01	STEM SEAL	1		-			100
30	044-03001-60	OIL SEAL	1		-			100
40	060-03003-41	BALL BEARING	1		-			100
50	277-15011-03	PIPE KNOCK	2		-			100
70	010-50604-10	STUD	2		-			100
75	044-00600-20	OIL SEAL	1		-			100
80	040-11400-30	PLUG	2		-			100
90	021-11400-20	GASKET	2		-			100
210	279-11001-21	MAIN BEARING COVER C	1		-			100
220	044-03001-60	OIL SEAL	1		-			100
230	060-03003-70	BALL BEARING	1		-			100
270	279-63601-13	OIL GAUGE	2		-			100
280	021-32000-50	GASKET	2		-			100
300	001-04083-50	FLANGE BOLT	7		-			100
610	279-13005-01	CYLINDER HEAD CP	1		-			100
620	279-15001-33	GASKET (HEAD)	1		-			100
630	011-00802-40	FLANGE BOLT	4	M8X68L	-			100
631	011-00803-10	FLANGE BOLT	1	M8X33L	-			100
680	277-15501-01	ROCKER COVER CP	1		-			100
690	277-16001-13	GASKET (ROCKER COVER)	1		-			100
700	277-15011-03	PIPE KNOCK	2		-			100
710	011-00600-20	FLANGE BOLT	4	M6X12L	-			100
960	279-99001-27	GASKET SET	1		-			100

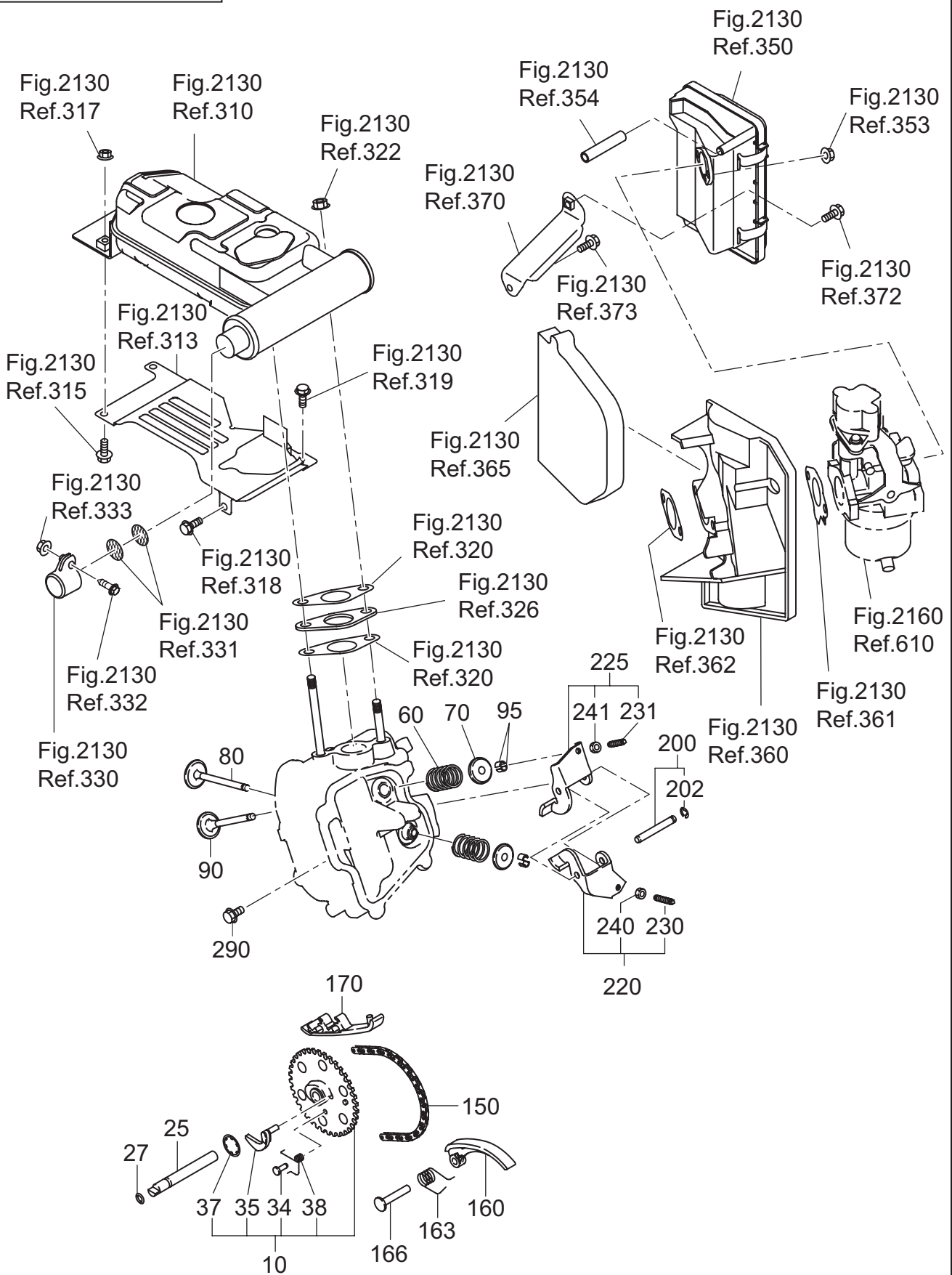
FIG. 200



2 CRANKSHAFT, PISTON

REF.	PARTS NUMBER	PARTS NAME	QTY	REMARKS	CODE NO. FROM-TO	INTERCHANGEABLE PART NUMBER	UNIT PRICE	FIG.
10	279-20701-41	CRANKSHAFT CP	1		-			200
50	018-01800-10	FLANGE NUT	1		-			200
70	032-30300-10	WOODRUFF KEY	1	3X6 (D16)	-			200
310	279-22501-20	CONNECTING ROD AY	1		-			200
320	279-23001-03	CONNECTING ROD BOLT	2	M7	-			200
350	279-23301-03	PISTON PIN	1		-			200
360	279-23401-03	PISTON	1	STD. (75DX43H)	-			200
361	279-23403-03	PISTON	1	0.25 O. S. (75DX43H)	-			200
362	279-23404-03	PISTON	1	0.50 O. S. (75DX43H)	-			200
370	279-23511-17	PISTON RING SET	1	STD OIL EXPANDER	-			200
371	279-23512-17	PISTON RING SET	1	0.25 O. S. OIL EXPAND	-			200
372	279-23513-17	PISTON RING SET	1	0.50 O. S. OIL EXPAND	-			200
380	056-51800-10	CLIP	2	D=1.6	-			200

FIG. 300



3 INTAKE, EXHAUST

REF.	PARTS NUMBER	PARTS NAME	QTY	REMARKS	CODE NO. FROM-TO	INTERCHANGEABLE PART NUMBER	UNIT PRICE	FIG.
10	279-31602-11	CAM SHAFT CP	1		-			300
25	277-35101-03	PIN (CAM SHAFT)	1		-			300
27	024-00600-10	O RING	1		-			300
34	277-38601-03	PIN (SPRING)	1		-			300
35	279-36401-03	RELEASE LEVER	1		-			300
37	277-36501-03	CLIP	1		-			300
38	279-38701-13	RETURN SPRING	1		-			300
60	279-33601-03	VALVE SPRING	2		-			300
70	269-33701-03	SPRING RETAINER	2		-			300
80	279-33401-13	INTAKE VALVE	1		-			300
90	279-33501-13	EXHAUST VALVE	1		-			300
95	132-10KA0-31	COLLET-VALVE	4		-			300
150	279-35601-11	TIMING CHAIN CP	1		-			300
160	277-36911-03	TENTIONER	1		-			300
163	277-37101-03	SPRING (TENTIONER)	1		-			300
166	277-36902-03	PIN (TENTIONER)	1		-			300
170	277-36913-13	CHAIN GUIDE	1		-			300
200	277-35002-01	PIN (ROCKER) CP	1		-			300
202	003-13050-00	CLIP	1		-			300
220	277-36201-00	ROCKER ARM (IN) AY	1		-			300
225	277-36202-00	ROCKER ARM (EX) AY	1		-			300
230	014-90500-20	ADJUST SCREW	1	M5	-			300
231	014-90500-20	ADJUST SCREW	1	M5	-			300
240	017-00500-30	NUT	1	M5	-			300
241	017-00500-30	NUT	1	M5	-			300
290	011-00600-20	FLANGE BOLT	1	M6X12L	-			300

FIG. 400

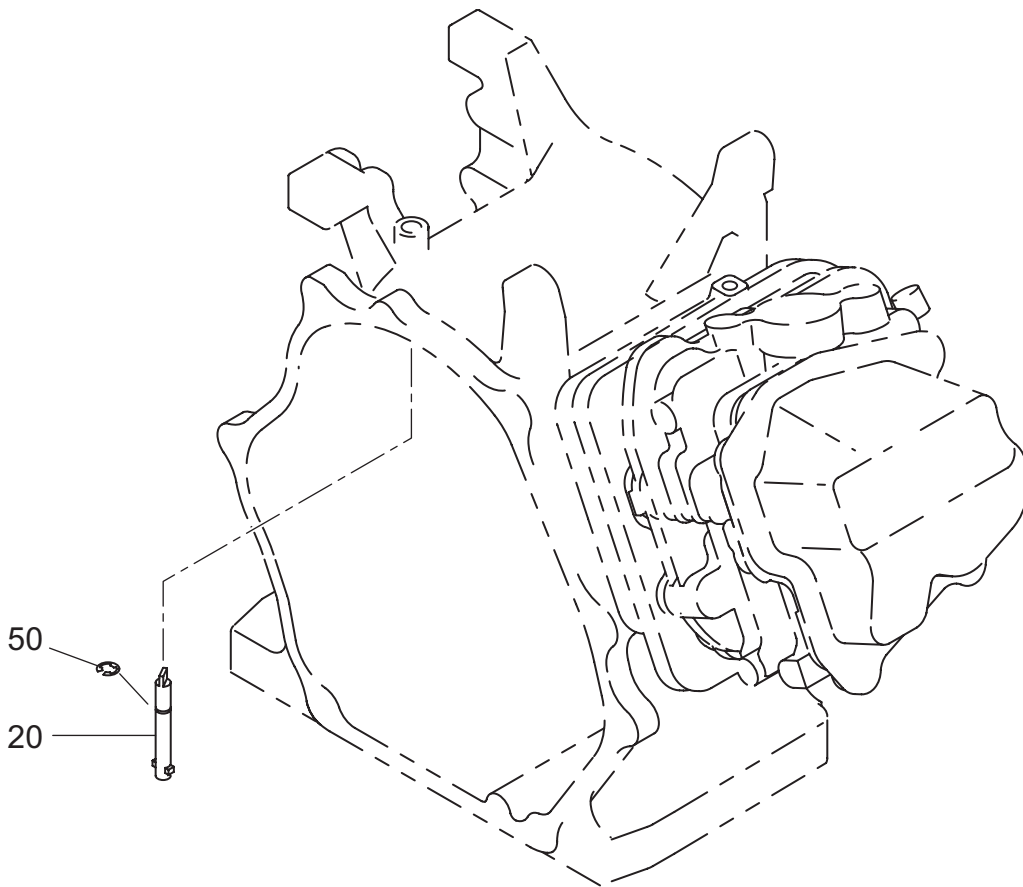


FIG. 500

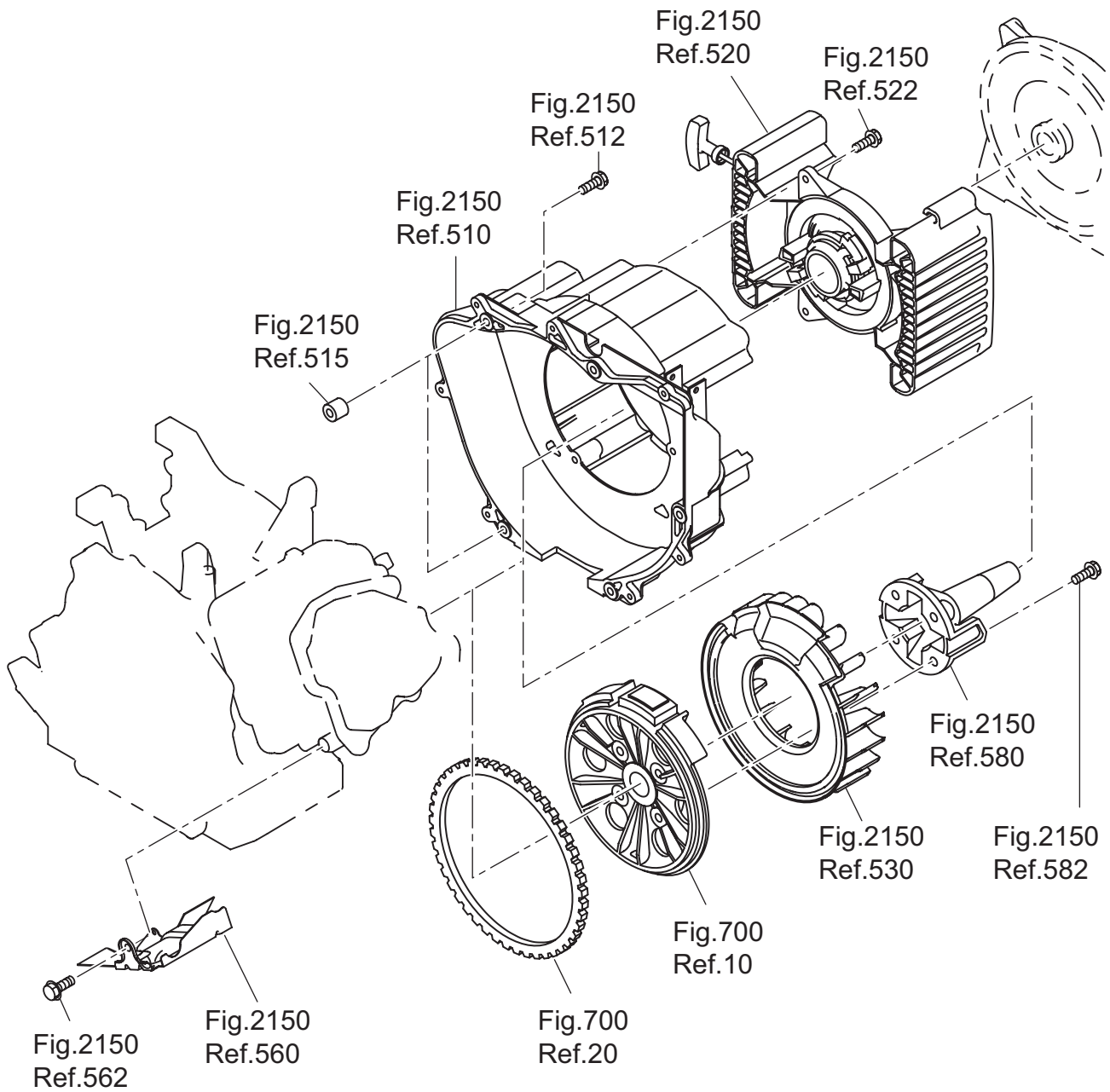


FIG. 700

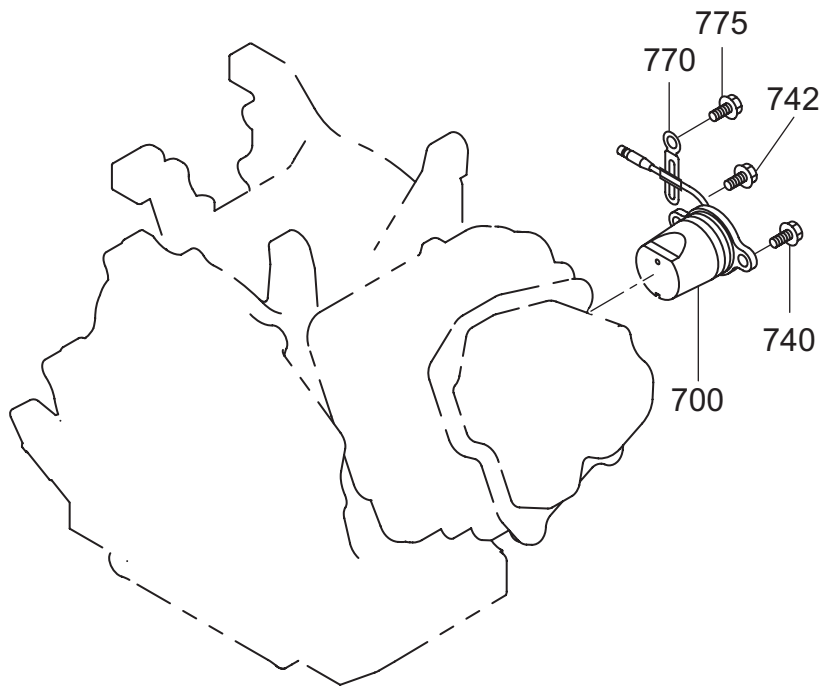
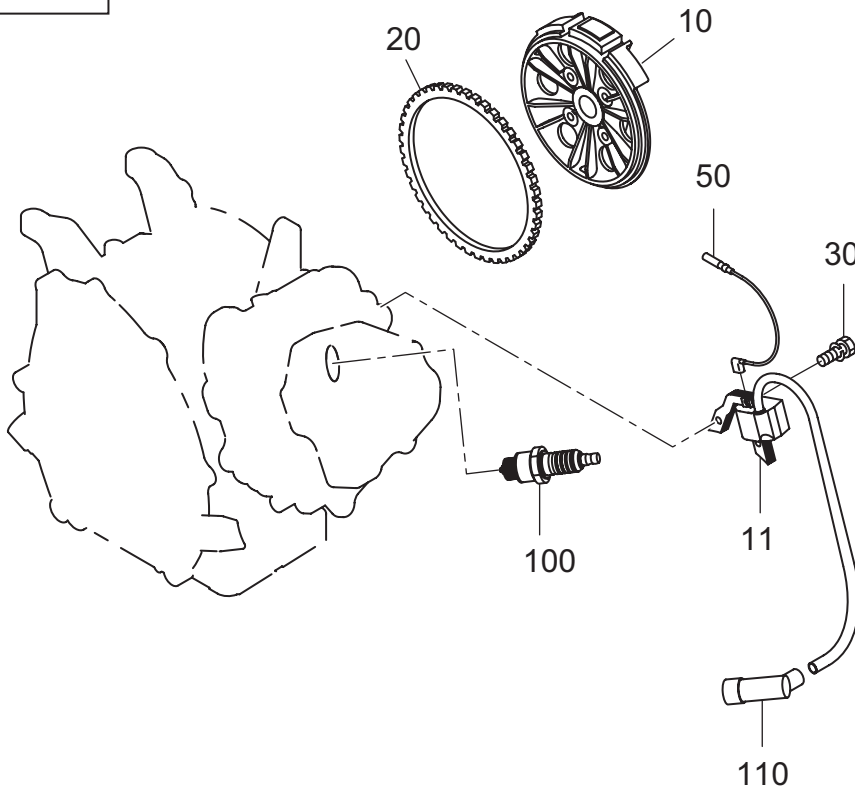
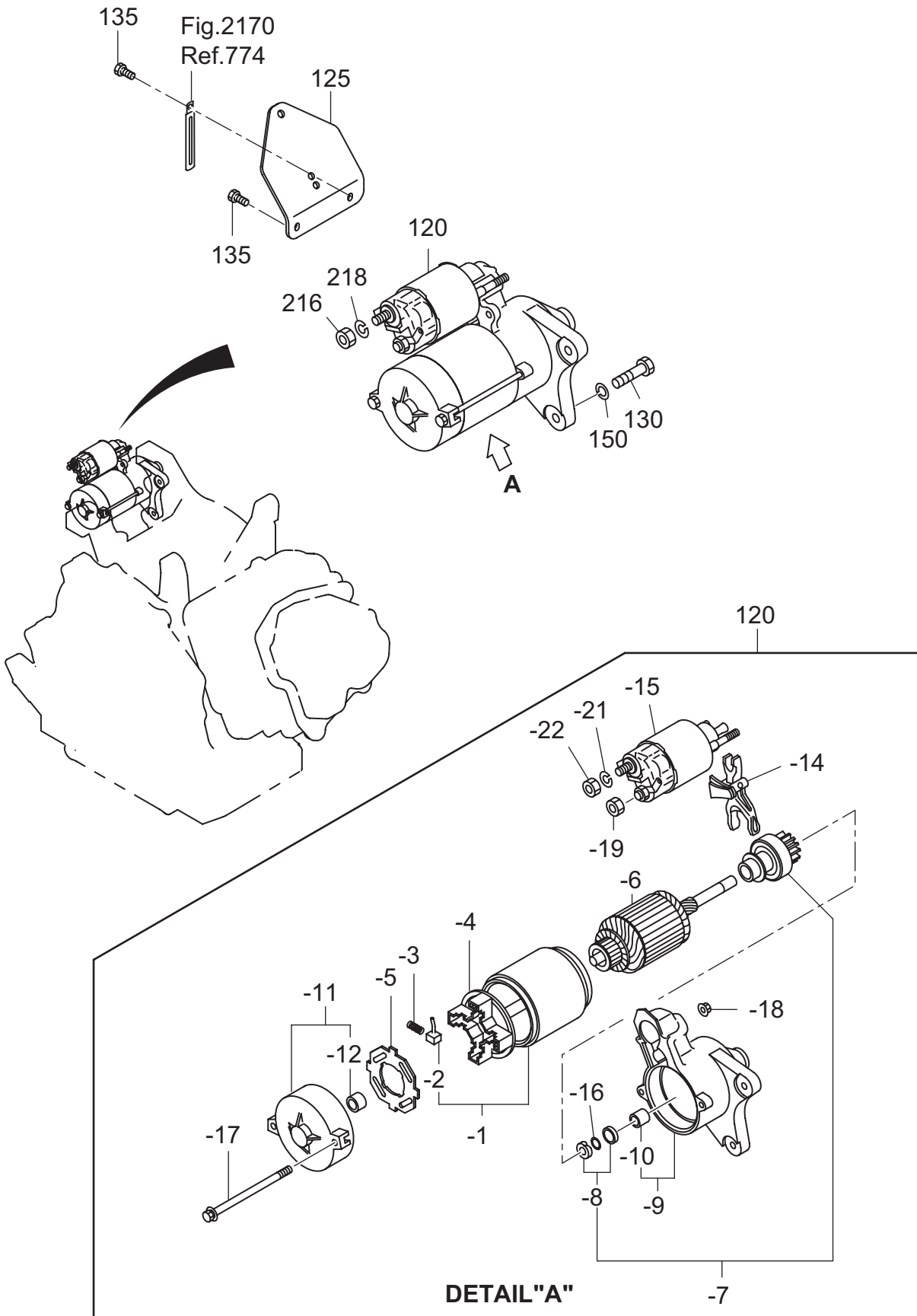


Fig.2160 Ref.610 CARBURETOR AY

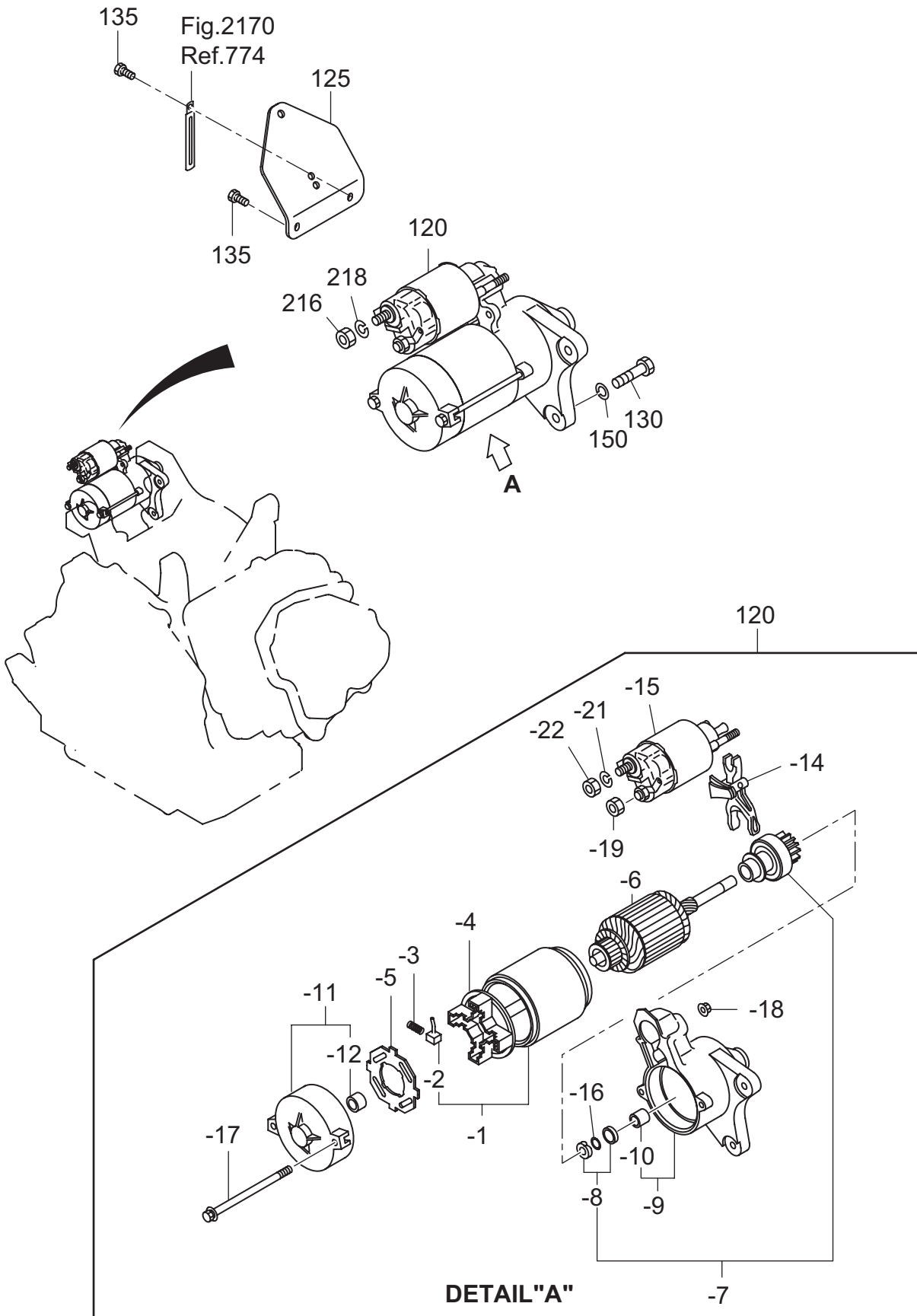
FIG. 720



7 ELECTRIC DEVICE

REF.	PARTS NUMBER	PARTS NAME	QTY	REMARKS	CODE NO. FROM-TO	INTERCHANGEABLE PART NUMBER	UNIT PRICE	FIG.
10	279-79261-11	FLYWHEEL CP	1		-			700
11	279-79431-01	IGNITION COIL CP	1		-			700
20	267-71002-03	RING GEAR	1		-			700
30	001-14062-50	BOLT AND WASHER AY	2		-			700
50	279-73105-H1	WIRE 5 CP	1		-			700
100	065-01401-50	SPARK PLUG	1		-			700
110	065-50002-70	SPARK PLUG CAP	1		-			700
700	279-76301-31	OIL SENSOR CP	1		-			700
740	001-14061-60	BOLT AND WASHER AY	1		-			700
742	013-00602-60	BOLT AND WASHER AY	1		-			700
770	279-75501-03	WIRE CLAMP	1		-			700
775	015-20600-50	TAPPING BOLT	1		-			700
120	279-70502-00	STARTING MOTOR AY	1		-			720
-1	209-70550-08	YOKE CP	1		-			720
-2	209-70551-08	BRUSH	4		-			720
-3	209-70545-08	BRUSH SPRING	4		-			720
-4	209-70530-08	BRUSH HOLDER	1		-			720
-5	209-70552-08	INSULATOR	1		-			720
-6	209-70554-08	ARMATURE AY	1		-			720
-7	209-70521-08	OVER RUNNING CLUT CP	1		-			720
-8	234-70555-08	PINION STOPPER	1		-			720
-9	279-70550-08	HOUSING CP	1		-			720
-10	209-70511-08	BUSH	1		-			720
-11	209-70505-18	FRAME CP	1		-			720
-12	209-70510-08	BUSH	1		-			720
-14	209-70525-08	LEVER	1		-			720
-15	279-70515-08	MAGNET SWITCH CP	1		-			720
-16	209-70557-18	SNAP RING	1		-			720
-17	209-70558-08	THROUGH BOLT	2		-			720
-18	949-29970-02	NUT	2		-			720
-19	209-70560-08	NUT	1		-			720
-21	107-70652-08	SPRING WASHER	1		-			720
-22	211-70584-08	NUT	1		-			720
125	279-76511-11	BRACKET (SEL) CP	1		-			720
130	214-79007-01	BOLT (STARTER)	2		-			720
135	011-00600-20	FLANGE BOLT	3		-			720

FIG. 720



7 ELECTRIC DEVICE

REF.	PARTS NUMBER	PARTS NAME	QTY	REMARKS	CODE NO. FROM-TO	INTERCHANGEABLE PART NUMBER	UNIT PRICE	FIG.
150	003-10080-00	WASHER	2		-			720
216	002-17080-00	NUT	1		-			720
218	003-20080-00	SPRING WASHER	1		-			720

FIG. 2110

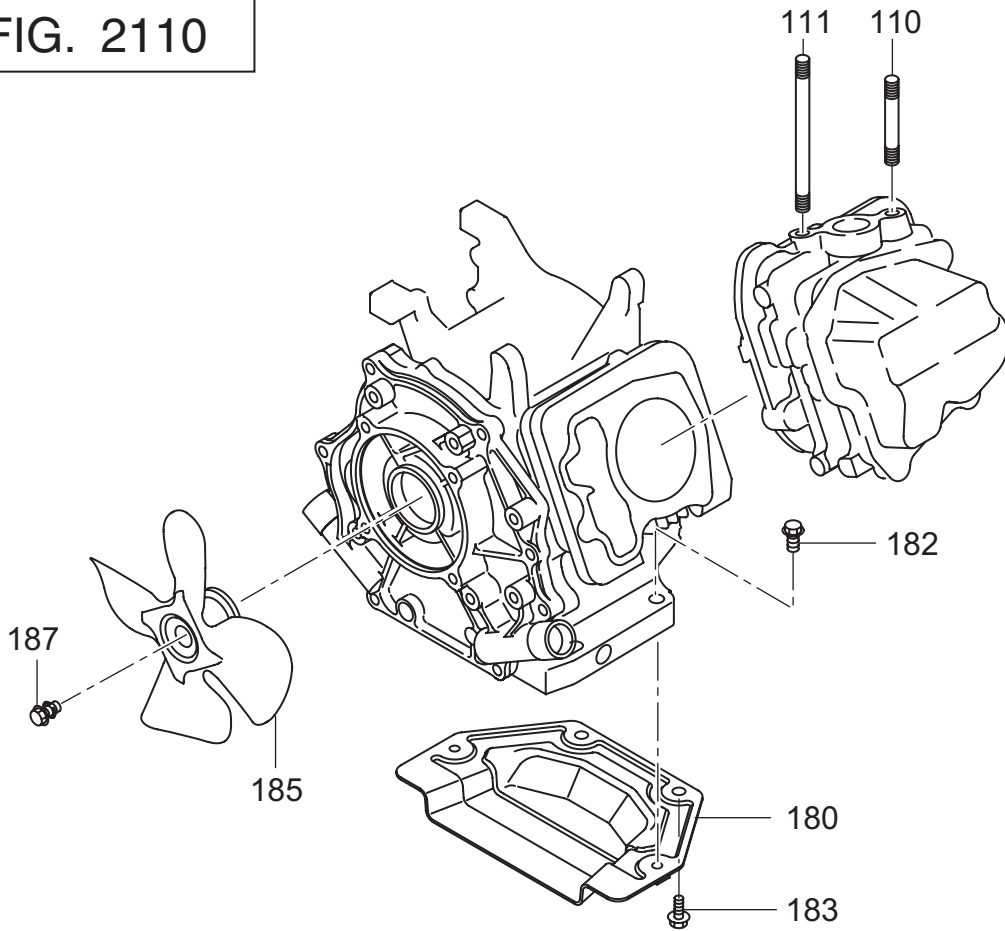


FIG. 2130

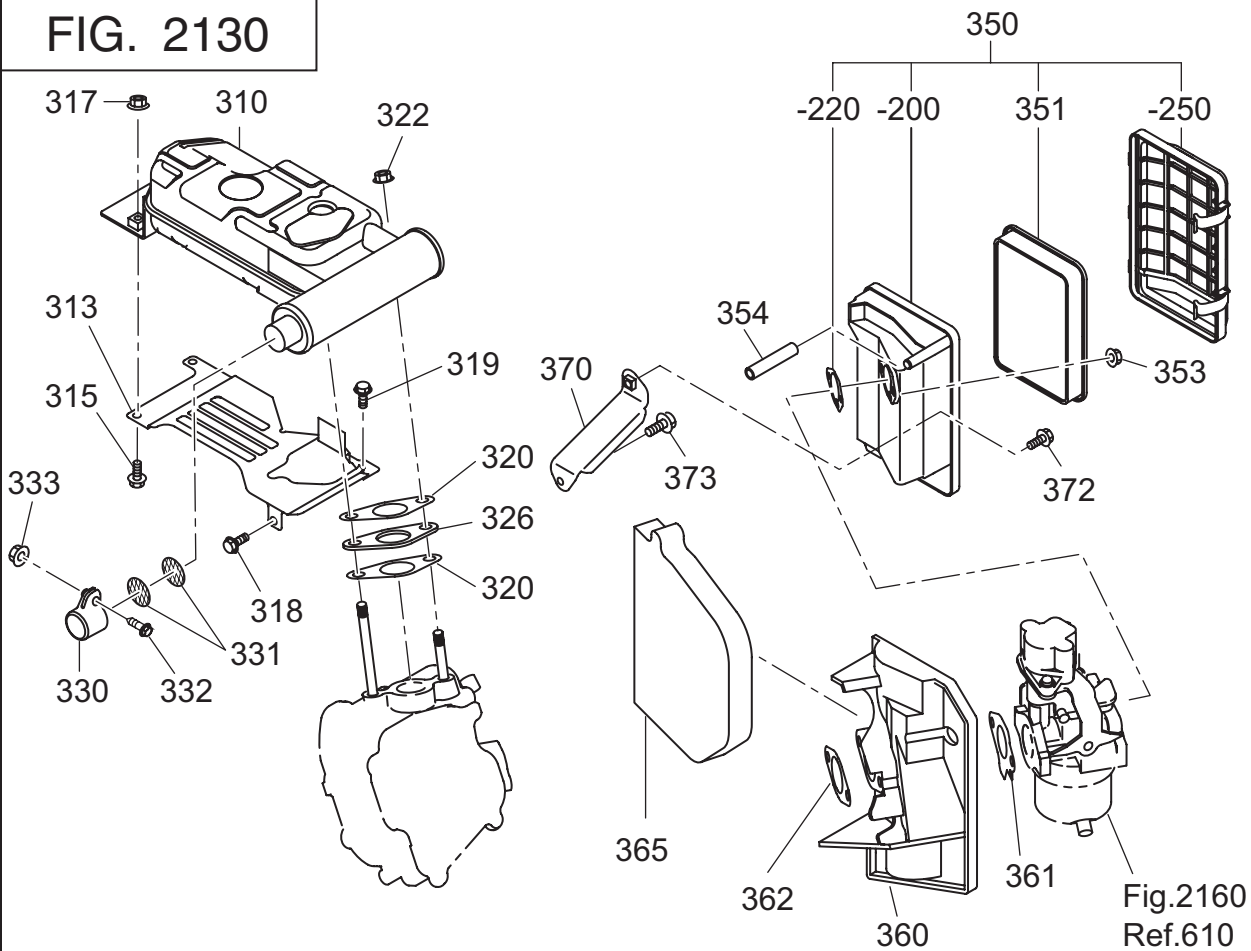


FIG. 2150

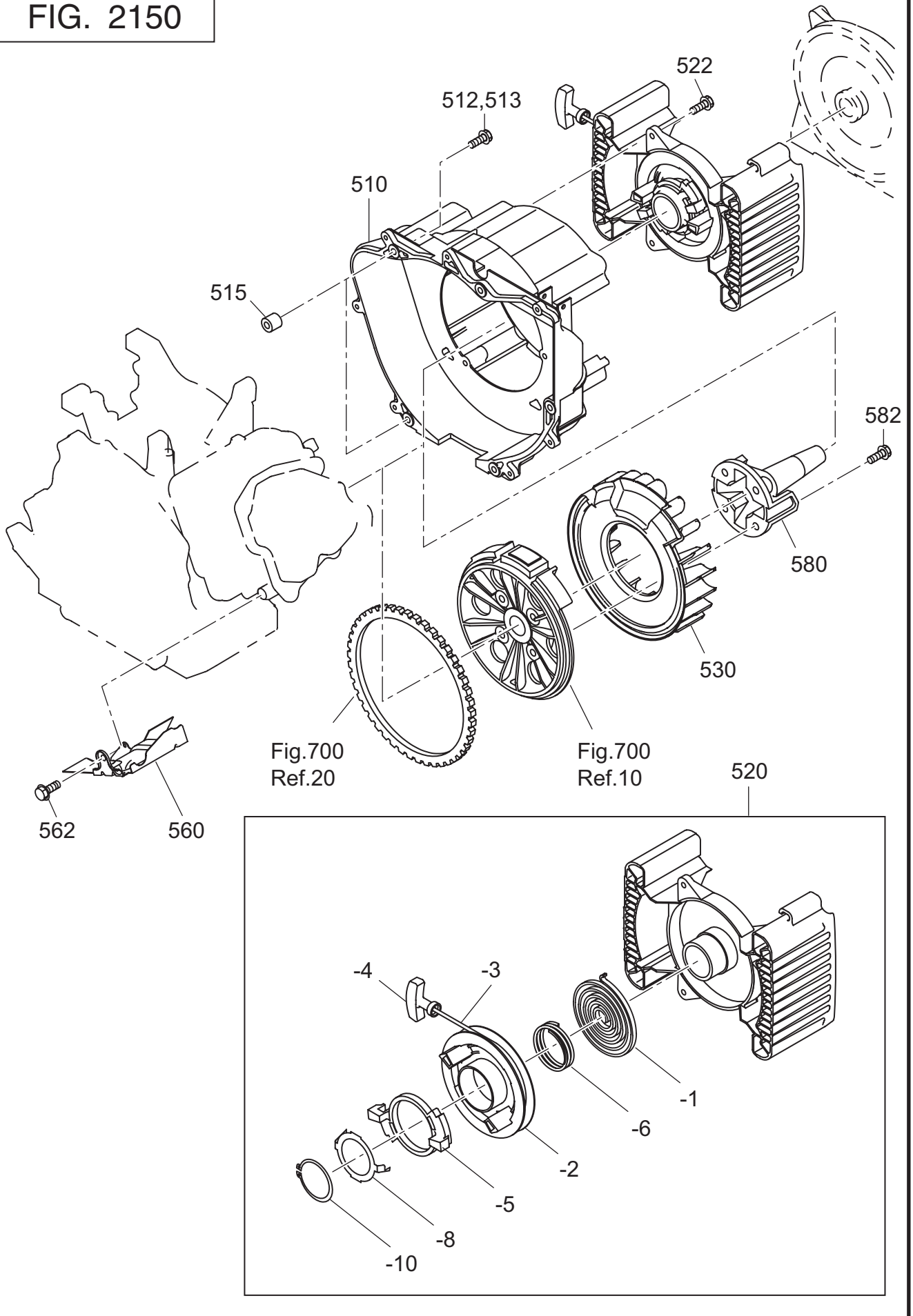


FIG. 2160

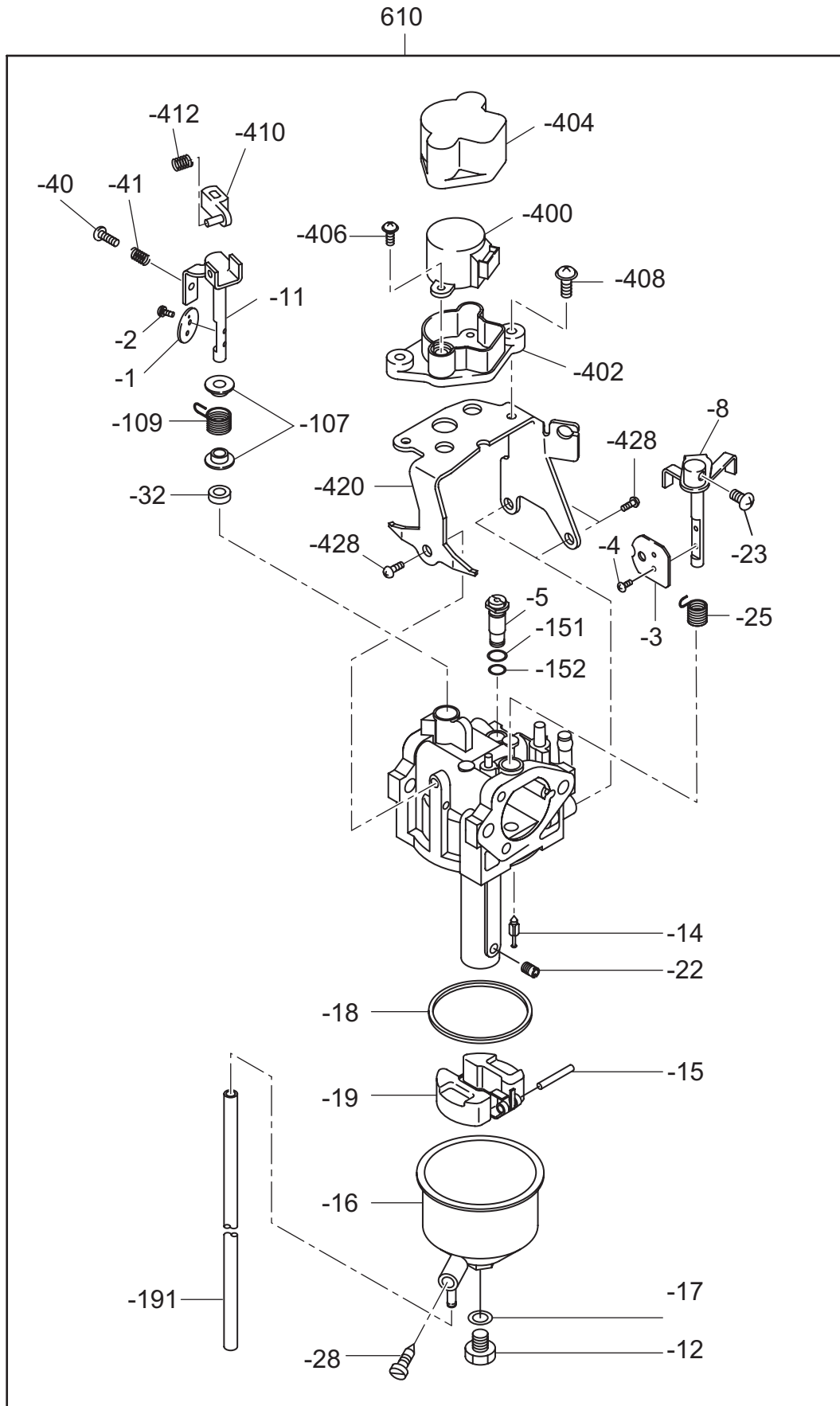
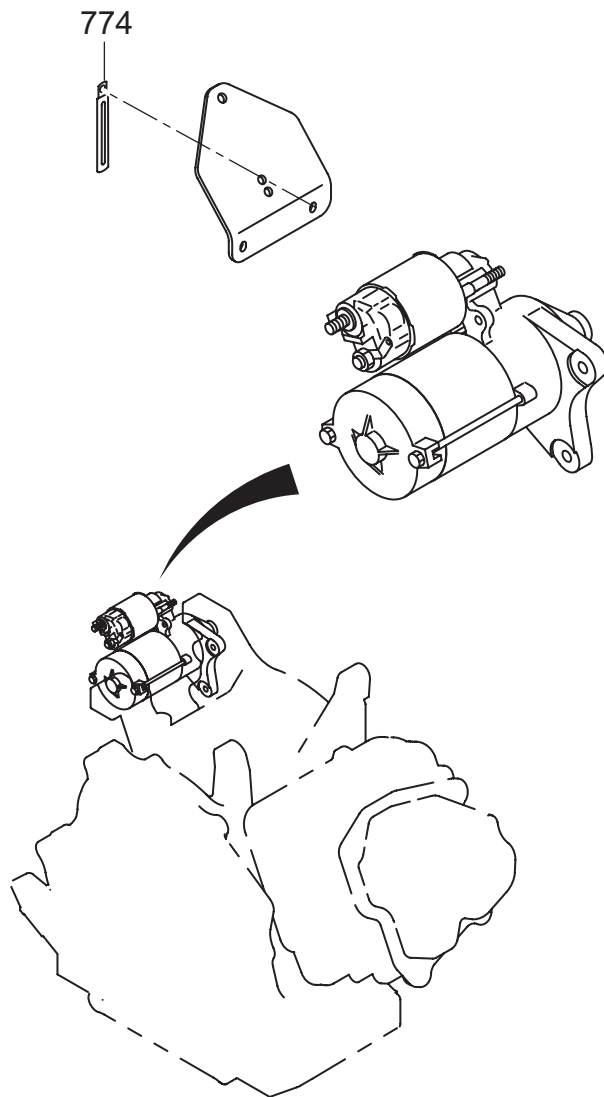


FIG. 2170



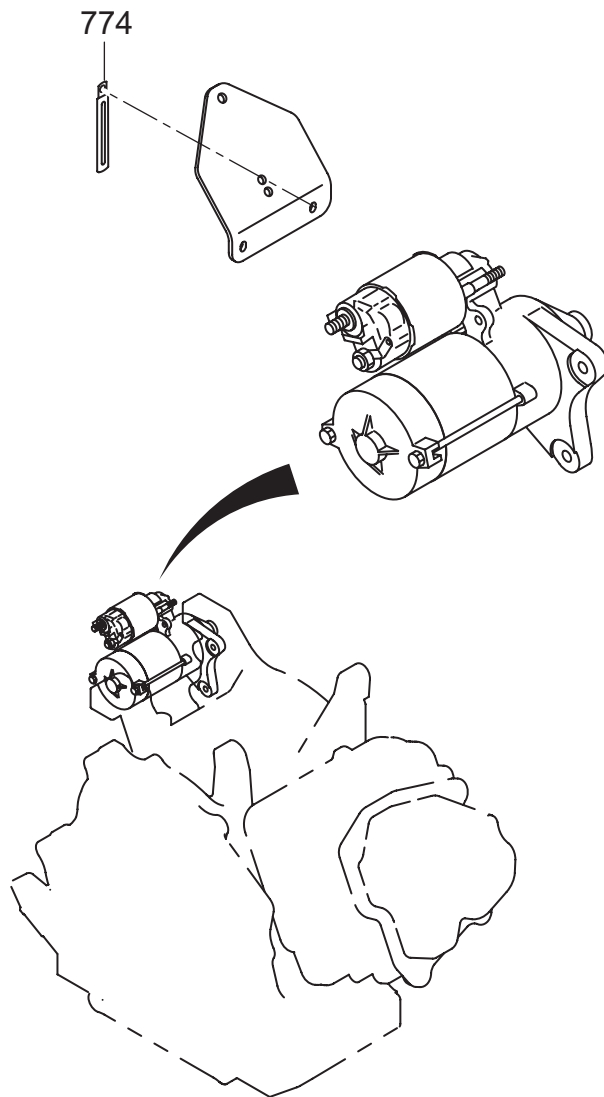
2 1 ENGINE

REF.	PARTS NUMBER	PARTS NAME	QTY	REMARKS	CODE NO. FROM-TO	INTERCHANGEABLE PART NUMBER	UNIT PRICE	FIG.
110	010-50802-90	STUD	1		-			2110
111	010-50804-40	STUD	1	M8X120L	-			2110
180	33D-35001-01	BOTTOM EXT. PLATE CP	1		-			2110
182	011-00802-70	FLANGE BOLT	2	M8X33L	-			2110
183	011-00801-50	FLANGE BOLT	2	M8X12L	-			2110
185	34J-54101-01	FAN (SILENT) CP	1		-			2110
187	013-01000-60	BOLT AND WASHER AY	1		-			2110
310	279-30411-41	MUFFLER CP (SILENT)	1		-			2130
313	33D-52601-03	BAFFLE	1		-			2130
315	011-00802-70	FLANGE BOLT	2	M8X33L	-			2130
317	002-38080-00	FLANGE NUT	2		-			2130
318	011-00803-20	FLANGE BOLT	1	M8X12L	-			2130
319	011-00600-10	FLANGE BOLT	1	M6X8L	-			2130
320	277-35201-13	GASKET (MUFFLER)	2		-			2130
322	980-20082-80	FLANGE NUT	2	M8	-			2130
326	279-39201-03	FLANGE	1		-			2130
330	277-37210-03	TAIL SCREEN COVER	1		-			2130
331	277-37220-03	SCREEN	2		-			2130
332	004-35051-60	SCREW AND WASHER AY	1		-			2130
333	002-18050-00	NUT	1		-			2130
350	279-32622-00	AIR CLEANER AY	1		-			2130
-200	279-32635-08	CLEANER BODY CP	1		-			2130
-220	279-32650-08	GASKET	1		-			2130
-250	279-32646-08	COVER CP	1		-			2130
351	279-32612-08	ELEMENT AY	1		-			2130
353	002-38060-00	FLANGE NUT	2		-			2130
354	085-10800-00	RUBBER PIPE	1	8DX11D	-			2130
360	279-32910-03	INSULATOR	1		-			2130
361	279-35902-H3	GASKET 1 (INSULATOR)	1		-			2130
362	279-35903-H3	GASKET 2 (INSULATOR)	1		-			2130
365	279-39701-13	SPONGE (INSULATOR)	1		-			2130
370	279-39004-01	BRACKET (A/C) CP	1		-			2130
372	011-00600-50	FLANGE BOLT	1	M6X20L	-			2130
373	011-00600-20	FLANGE BOLT	1	M6X12L	-			2130
510	279-52001-13	BLOWER HOUSING	1		-			2150
512	001-14063-00	BOLT AND WASHER AY	1		-			2150

2 1 ENGINE

REF.	PARTS NUMBER	PARTS NAME	QTY	REMARKS	CODE NO. FROM-TO	INTERCHANGEABLE PART NUMBER	UNIT PRICE	FIG.
513	001-14066-00	BOLT AND WASHER AY	4		-			2150
515	980-40081-10	STR PIN -8X10	2	M6	-			2150
520	277-50401-00	RECOIL STARTER AY	1		-			2150
-1	277-50402-08	SPIRAL SPRING	1		-			2150
-2	277-50403-08	REEL	1		-			2150
-3	277-50408-08	STARTER PORE	1		-			2150
-4	277-50409-08	STARTER KNOB	1		-			2150
-5	277-50404-08	RACHET	1		-			2150
-6	277-50405-08	FRICITION SPRING	1		-			2150
-8	277-50407-08	FRICITION PLATE	1		-			2150
-10	277-50406-08	RETAINING RING	1		-			2150
522	011-00601-40	FLANGE BOLT	3	M6X18L	-			2150
530	279-54110-03	COOLING BLOWER	1		-			2150
560	279-52702-13	BAFFLE 2 (HEAD)	1		-			2150
562	011-00600-20	FLANGE BOLT	1	M6X12L	-			2150
580	277-24401-03	DRIVING SHAFT	1		-			2150
582	011-01001-10	FLANGE BOLT	4	M8X27L	-			2150
610	279-62330-00	CARBURETOR AY	1		-			2160
-1	279-62535-08	THROTTLE VALVE	1		-			2160
-2	251-62450-08	SCREW	2		-			2160
-3	279-62526-08	CHOKE VALVE	1		-			2160
-4	251-62450-08	SCREW	2		-			2160
-5	279-62420-08	SLOW JET	1		-			2160
-8	279-62521-08	CHOKE LEVER	1		-			2160
-11	279-62531-08	THROTTLE SHAFT	1		-			2160
-12	251-62453-08	BOLT	1		-			2160
-14	279-62500-08	NEEDLE	1		-			2160
-15	279-62515-08	PIN	1		-			2160
-16	279-62553-08	FLOAT BODY	1		-			2160
-17	251-62350-08	GASKET	1		-			2160
-18	279-62540-08	GASKET CHAMBER	1		-			2160
-19	279-62505-08	FLOAT SUB AY	1		-			2160
-22	279-62400-08	JET MAIN	1		-			2160
-23	284-62456-08	SCREW	1		-			2160
-25	279-62447-08	SPRING (CHOKE)	1		-			2160
-28	279-62581-08	SCREW	1		-			2160

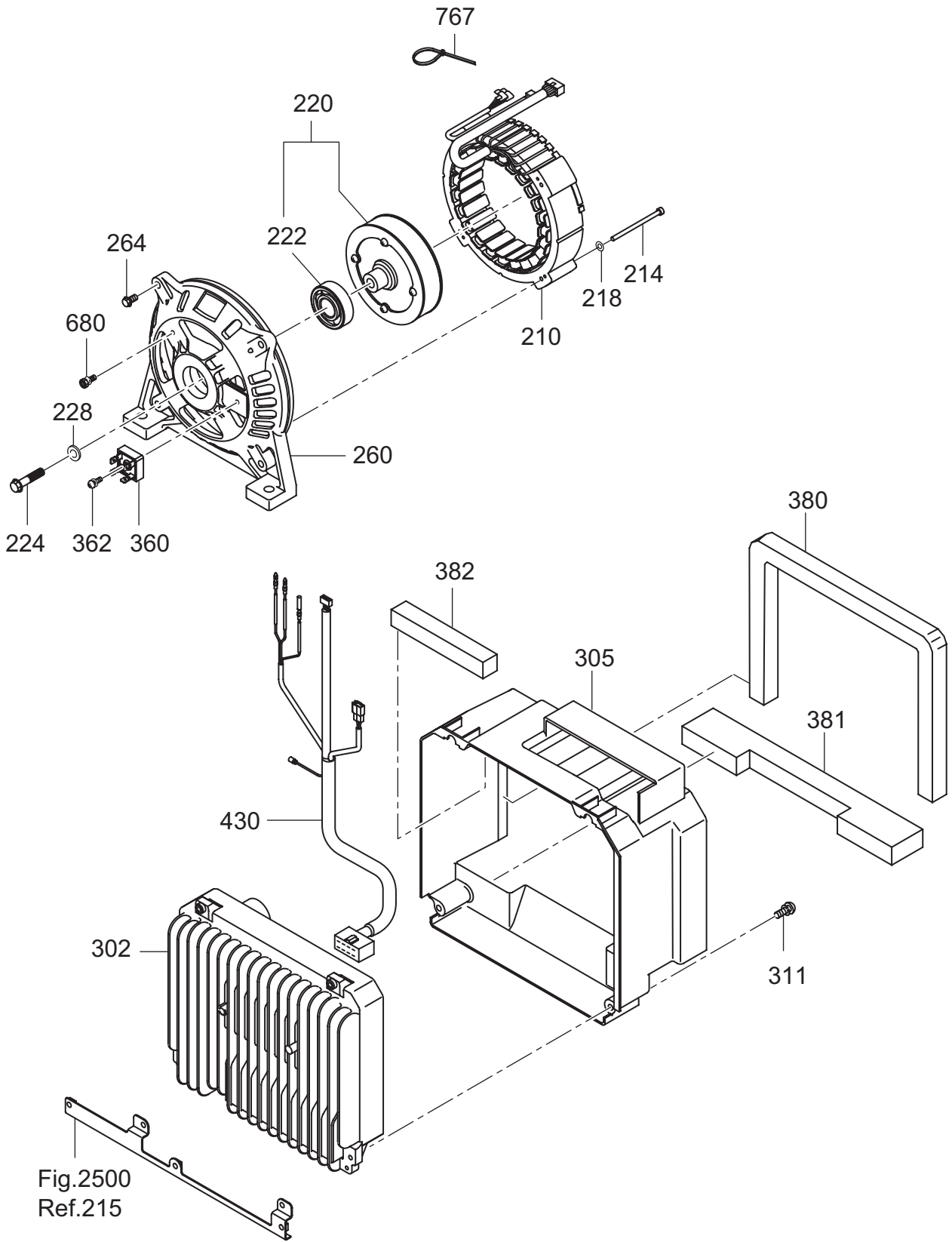
FIG. 2170



2 1 ENGINE

REF.	PARTS NUMBER	PARTS NAME	QTY	REMARKS	CODE NO. FROM-TO	INTERCHANGEABLE PART NUMBER	UNIT PRICE	FIG.
-32	279-62561-08	BUSH	1		-			2160
-40	279-62353-18	ADJUST SCREW	1		-			2160
-41	279-62445-08	SPRING	1		-			2160
-107	279-62565-08	COLLAR	2		-			2160
-109	284-62315-08	SPRING (THROTTLE)	1		-			2160
-151	279-62452-08	O RING	1		-			2160
-152	279-62451-08	O RING	1		-			2160
-191	279-62590-08	VINYL PIPE	1		-			2160
-400	284-62580-08	MOTOR	1		-			2160
-402	284-62576-08	BRACKET (MOTOR)	1		-			2160
-404	277-62595-08	COVER (MOTOR)	1		-			2160
-406	284-62458-08	SCREW	2		-			2160
-408	284-62457-08	SCREW	2		-			2160
-410	279-62600-08	JOINT LEVER	1		-			2160
-412	284-62446-08	SPRING	1		-			2160
-420	279-62575-08	BRACKET	1		-			2160
-428	279-62580-08	SCREW	3		-			2160
774	056-60002-50	CLAMP	1		-			2170

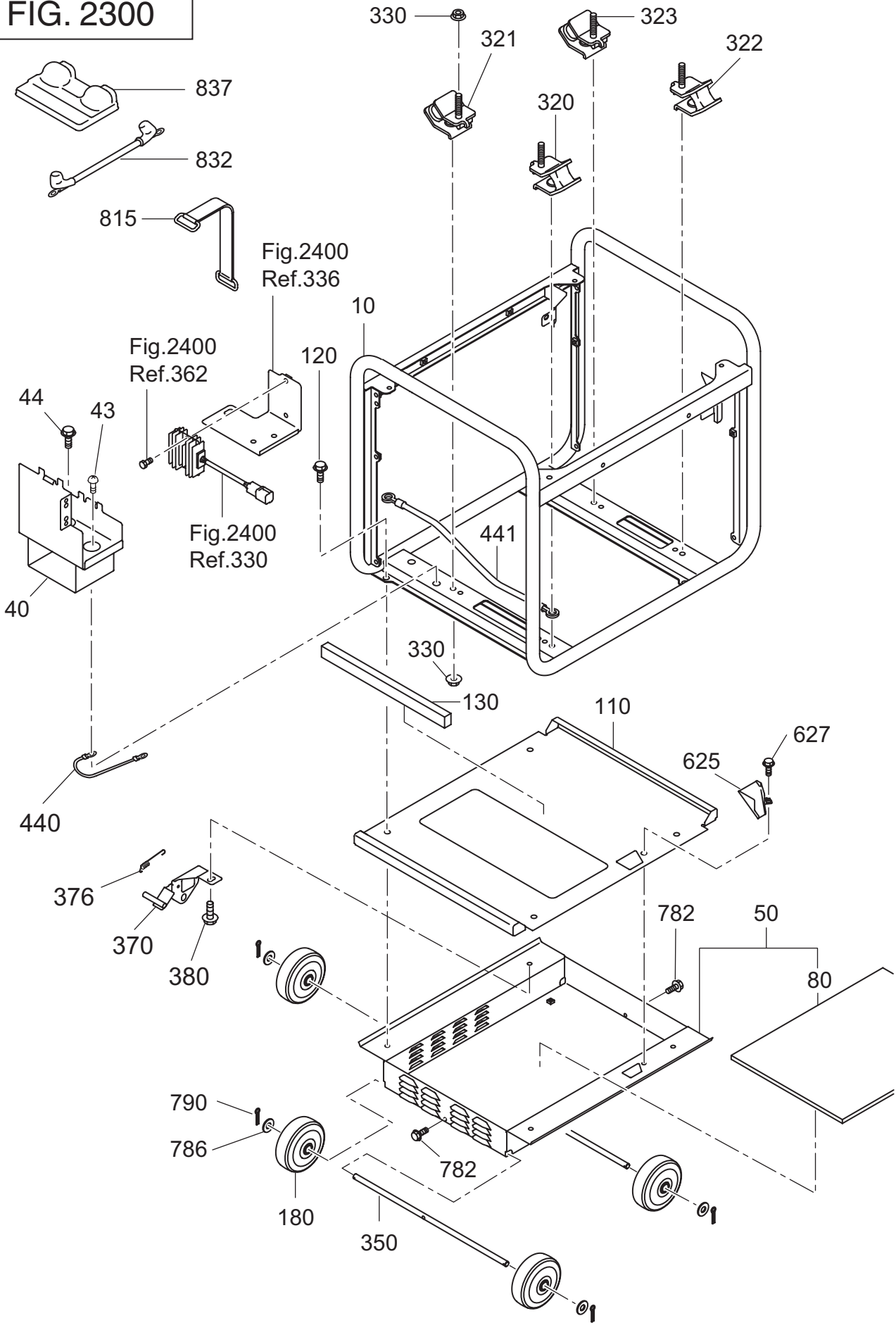
FIG. 2200



2 2 G E N E R A T O R

REF.	PARTS NUMBER	PARTS NAME	QTY	REMARKS	CODE NO. FROM-TO	INTERCHANGEABLE PART NUMBER	UNIT PRICE	FIG.
210	34D-21051-01	STATOR CP	1		-			2200
214	34D-21051-08	BOLT	4	M5X50L	-			2200
218	003-20050-00	SPRING WASHER	4	M5	-			2200
220	34D-20061-01	ROTOR CP	1		-			2200
222	34B-21001-08	BEARING	1		-			2200
224	010-01002-00	BOLT	1		-			2200
228	020-01001-60	WASHER	1		-			2200
260	34B-23071-01	REAR COVER	1		-			2200
264	001-14062-50	BOLT AND WASHER AY	4		-			2200
302	KU3-10830-21	INV & E/G C/U CP (F15)	1		-			2200
305	34B-55001-03	COVER (INVERTOR)	1		-			2200
311	004-36051-60	SCREW AND WASHER AY	2		-			2200
360	34K-20903-08	RECTIFIER	1		-			2200
362	34K-20904-08	SCREW	1	M4X20L	-			2200
380	34J-57301-03	SEAL SPONGE IV1	1		-			2200
381	34B-57302-03	SEAL SPONGE IV2	1		-			2200
382	34B-57303-03	SEAL SPONGE IV3	1		-			2200
430	34B-48101-01	WIRE HARNESS (E/G) CP	1		-			2200
680	34K-20905-08	SCREW	1	M5X10L	-			2200
767	34K-20907-08	BAND	2		-			2200

FIG. 2300

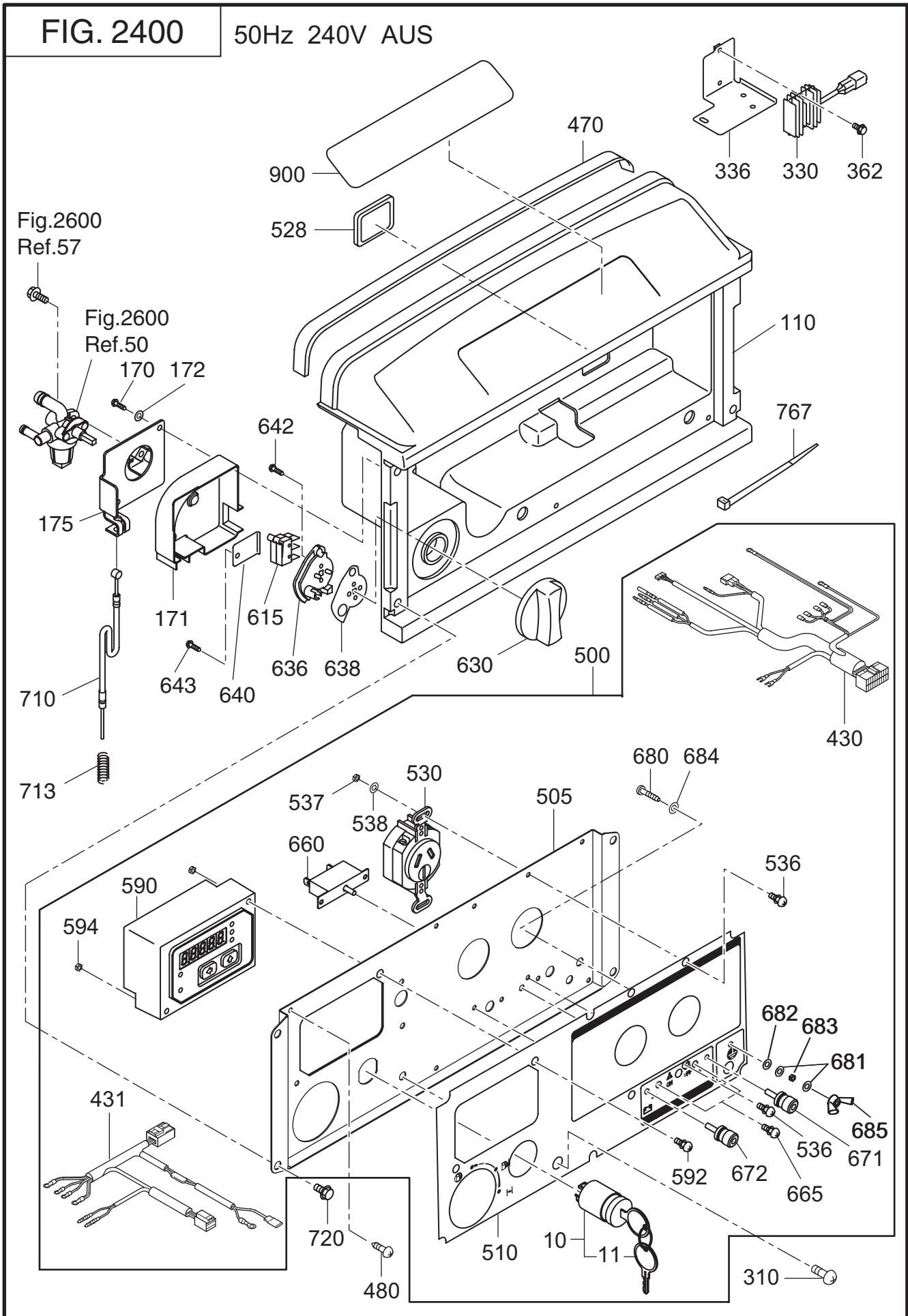


2 3 B A S E, F R A M E

REF.	PARTS NUMBER	PARTS NAME	QTY	REMARKS	CODE NO. FROM-TO	INTERCHANGEABLE PART NUMBER	UNIT PRICE	FIG.
10	34J-30001-01	FRAME CP	1		-			2300
40	33B-35602-01	BATTERY BASE	1		-			2300
43	011-00600-80	FLANGE BOLT	2	M6X12L	-			2300
44	014-00601-21	SCREW	1		-			2300
50	34J-53101-01	BASE PLATE (LOWER) CP	1		-			2300
80	34G-59005-03	SPONGE (BASE)	1		-			2300
110	34J-53002-01	BASE PLATE (UPPER) CP	1		-			2300
120	001-14081-60	BOLT AND WASHER AY	4		-			2300
130	34G-59006-03	SPONGE (BASE)	1		-			2300
180	393-30603-01	WHEEL CP	4		-			2300
320	32B-30214-01	MOUNT CP (L)	1		-			2300
321	32B-30213-01	MOUNT CP (R)	1		-			2300
322	32B-30203-01	MOUNT CP (R)	1		-			2300
323	32B-30204-01	MOUNT CP (L)	1		-			2300
330	002-38080-00	FLANGE NUT	8		-			2300
350	34G-55201-01	SHAFT (WHEEL) CP	2		-			2300
370	34G-56002-10	BRAKE -2 AY	1		-			2300
376	34G-56102-13	SPRING (BRAKE)	1		-			2300
380	001-14081-60	BOLT AND WASHER AY	1		-			2300
440	33B-48091-01	EARTH WIRE CP	1		-			2300
441	34B-48091-01	EARTH WIRE CP	1		-			2300
625	34G-55211-21	DRAIN GUIDE CP	1		-			2300
627	011-00600-20	FLANGE BOLT	1	M6X12L	-			2300
782	011-00600-20	FLANGE BOLT	2	M6X12L	-			2300
786	003-11120-00	WASHER	3		-			2300
790	005-10302-50	COTTER PIN	4		-			2300
815	33B-58001-01	BATTERY BAND	1		-			2300
832	33B-48072-11	BATTERY WIRE CP	1		-			2300
837	33D-35701-03	BATTERY COVER	1		-			2300

FIG. 2400

50Hz 240V AUS



2 4 CONTROL

REF.	PARTS NUMBER	PARTS NAME	QTY	REMARKS	CODE NO. FROM-TO	INTERCHANGEABLE PART NUMBER	UNIT PRICE	FIG.
10	066-00003-30	KEY SWITCH	1		-			2400
11	066-00099-80	KEY	2		-			2400
110	33B-50001-01	FRONT COVER (UPPER) CP	1		-			2400
170	015-00400-70	TAPPING SCREW	2		-			2400
171	33B-46001-03	COVER (COCK)	1		-			2400
172	003-10040-00	WASHER	2		-			2400
175	33B-46012-01	BRACKET (COCK)	1		-			2400
310	004-36061-60	SCREW AND WASHER AY	2		-			2400
330	33B-47202-01	REGULATOR CP	1		-			2400
336	33B-35801-02	BRACKET (REG) UN	1		-			2400
362	011-00600-50	FLANGE BOLT	2	M6X20L	-			2400
430	34B-48002-01	WIRE HARNESS CP	1		-			2400
431	33B-48052-01	WIRE HARNESS CP	1		-			2400
470	34B-57311-03	SEAL SPONGE FC2	1		-			2400
480	353-49904-08	TAPPING SCREW	6	M4X10L	-			2400
500	34D-45811-10	CONTROL PANEL AY	1		-			2400
505	33B-45011-01	PANEL PLATE CP	1		-			2400
510	34B-49123-03	SHEET (PANEL VS) 23	1		-			2400
528	227-75001-03	GROMMET	1		-			2400
530	353-45719-08	AC CONCENT (AUST)	2		-			2400
536	004-35041-00	SCREW AND WASHER AY	4		-			2400
537	002-17040-00	NUT	4		-			2400
538	003-10040-00	WASHER	4		-			2400
590	KU3-11770-11	MONITOR C/U CP (INV2)	1		-			2400
592	013-10400-80	SCREW AND WASHER AY	2	M4X40L	-			2400
594	002-17040-00	NUT	2		-			2400
615	33K-41811-03	MICRO SWITCH	2		-			2400
630	33K-42010-03	CONTROL DIAL	1		-			2400
636	33K-42020-03	CHOKE REEL	1		-			2400
638	33K-42030-13	PLATE	1		-			2400
640	33B-46015-01	BRACKET (MICRO)	1		-			2400
642	33K-41814-08	TAPPING SCREW	2	M3X16L	-			2400
643	015-00400-70	TAPPING SCREW	1		-			2400
660	352-45620-08	CIRCUIT BREAKER	1	201-10A	-			2400
665	31B-79011-03	SCREW	2		-			2400
671	363-45701-08	TERMINAL BOLT	1	RED	-			2400

FIG. 2400

50Hz 240V AUS

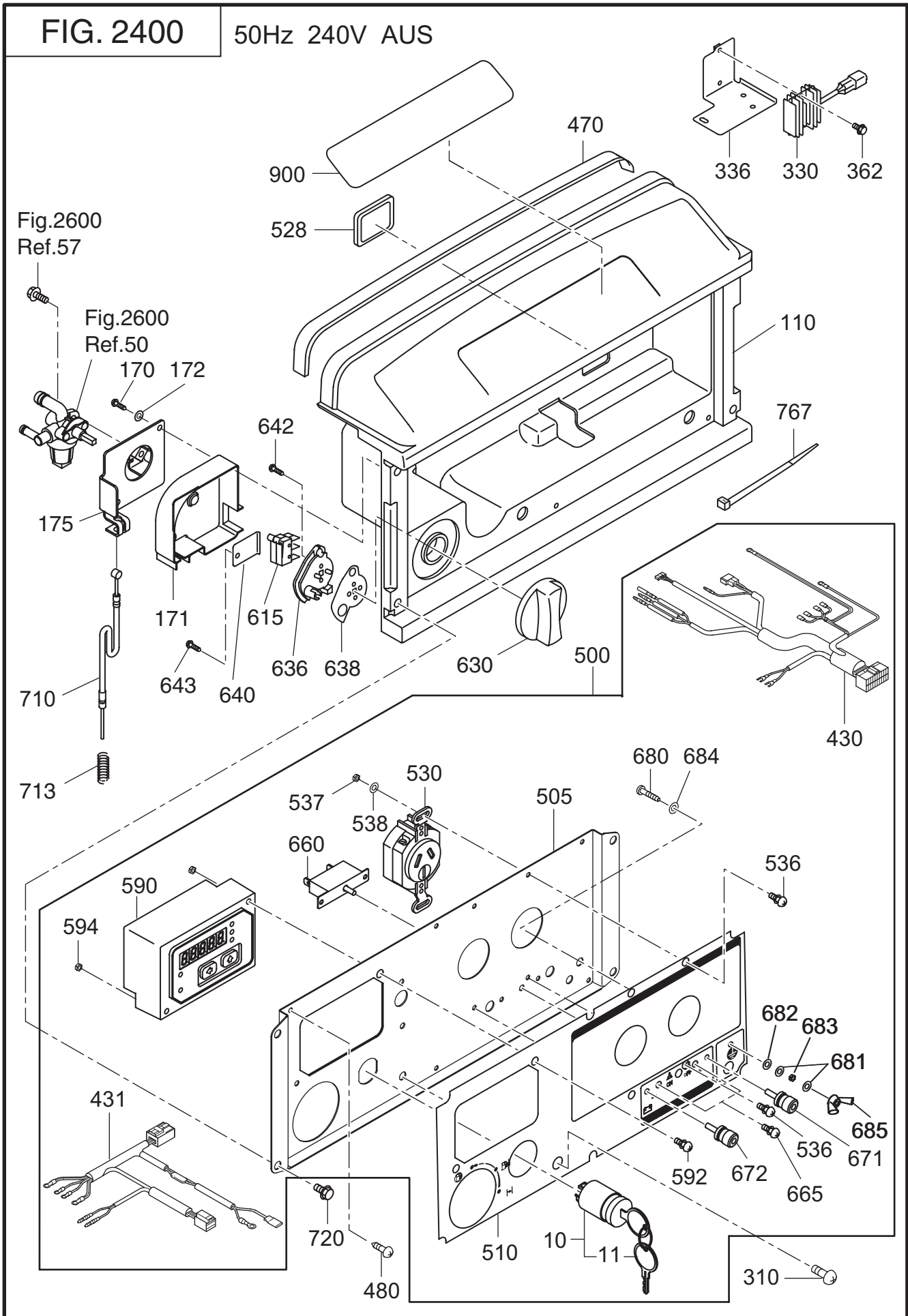


FIG. 2500

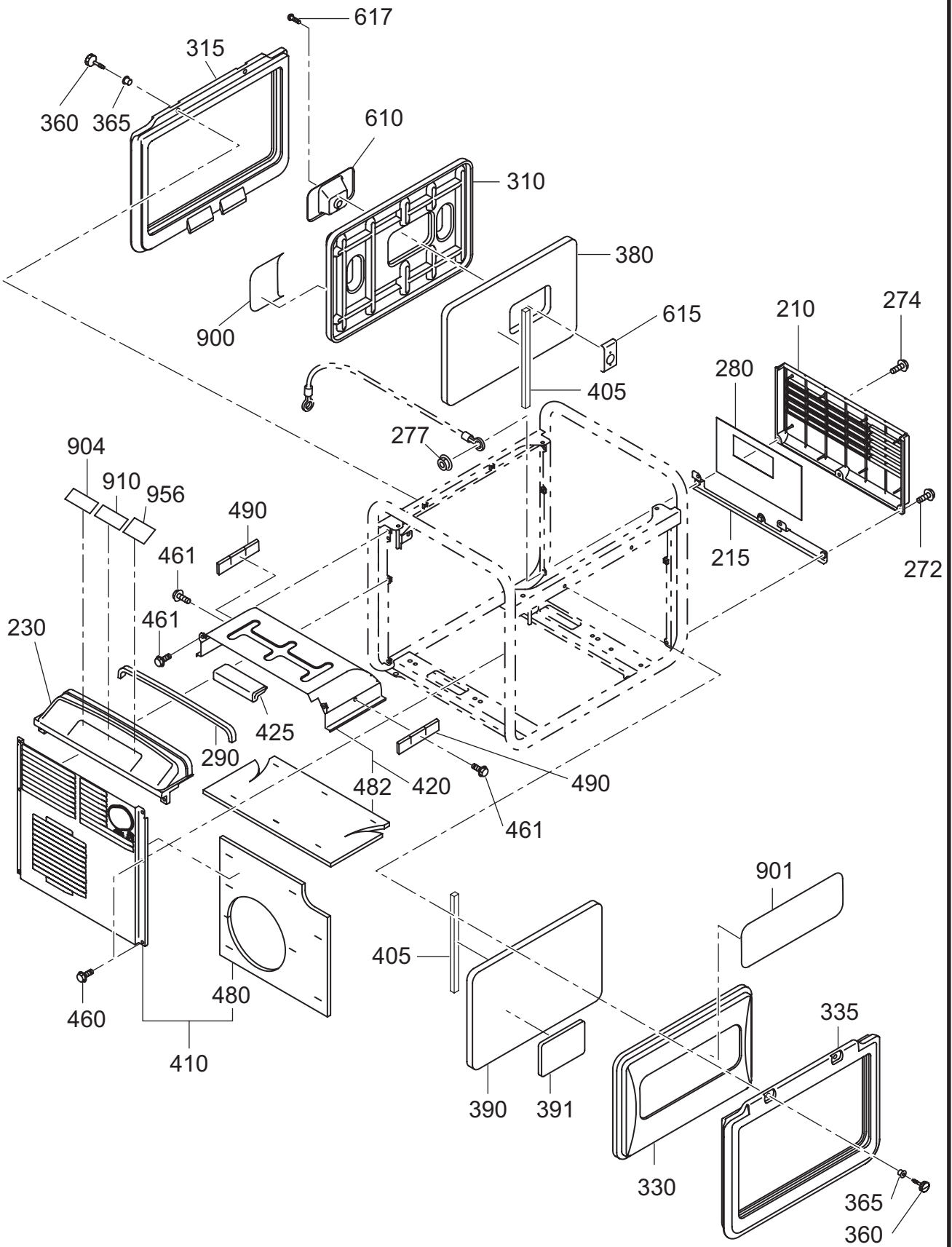
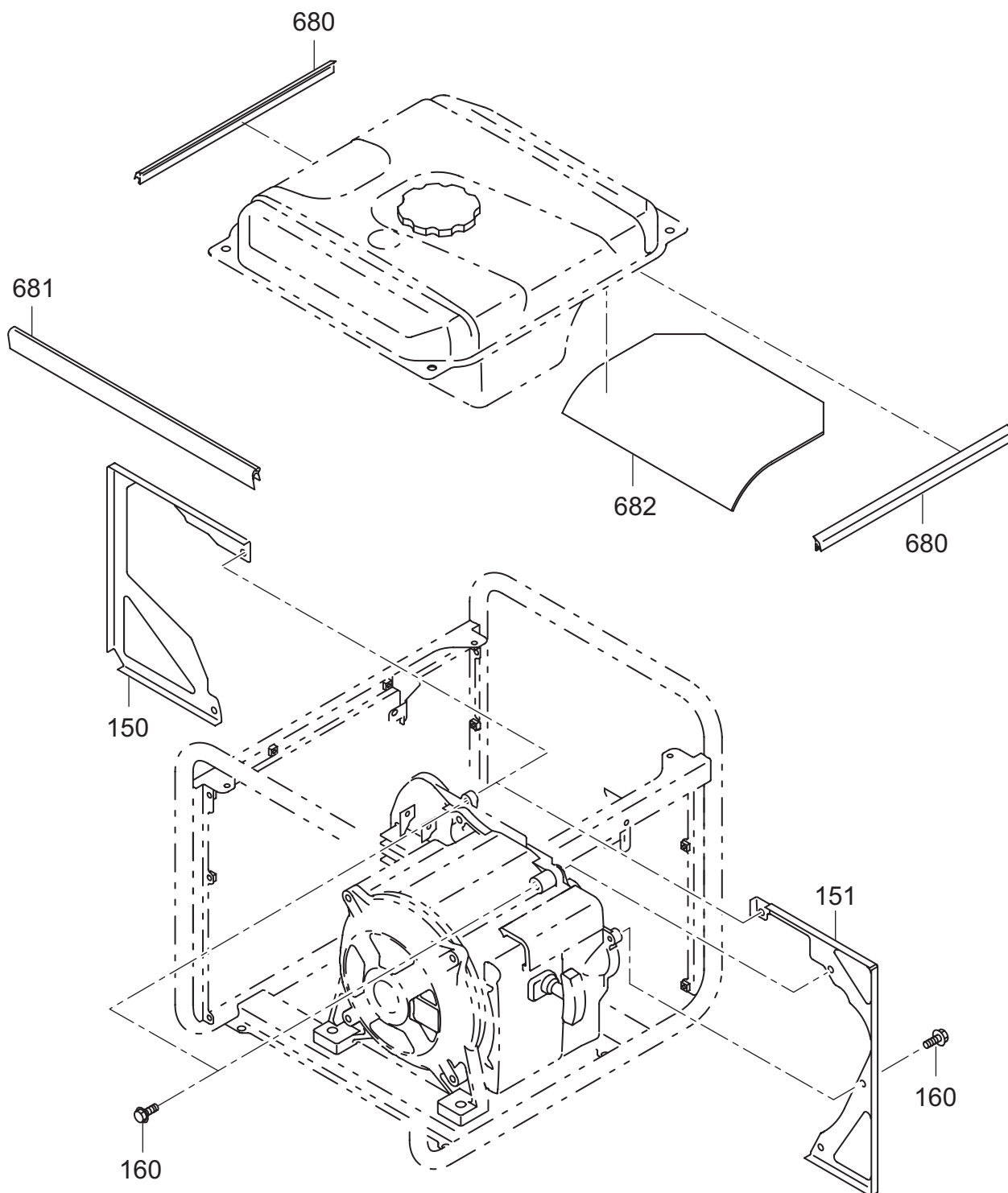


FIG. 2510



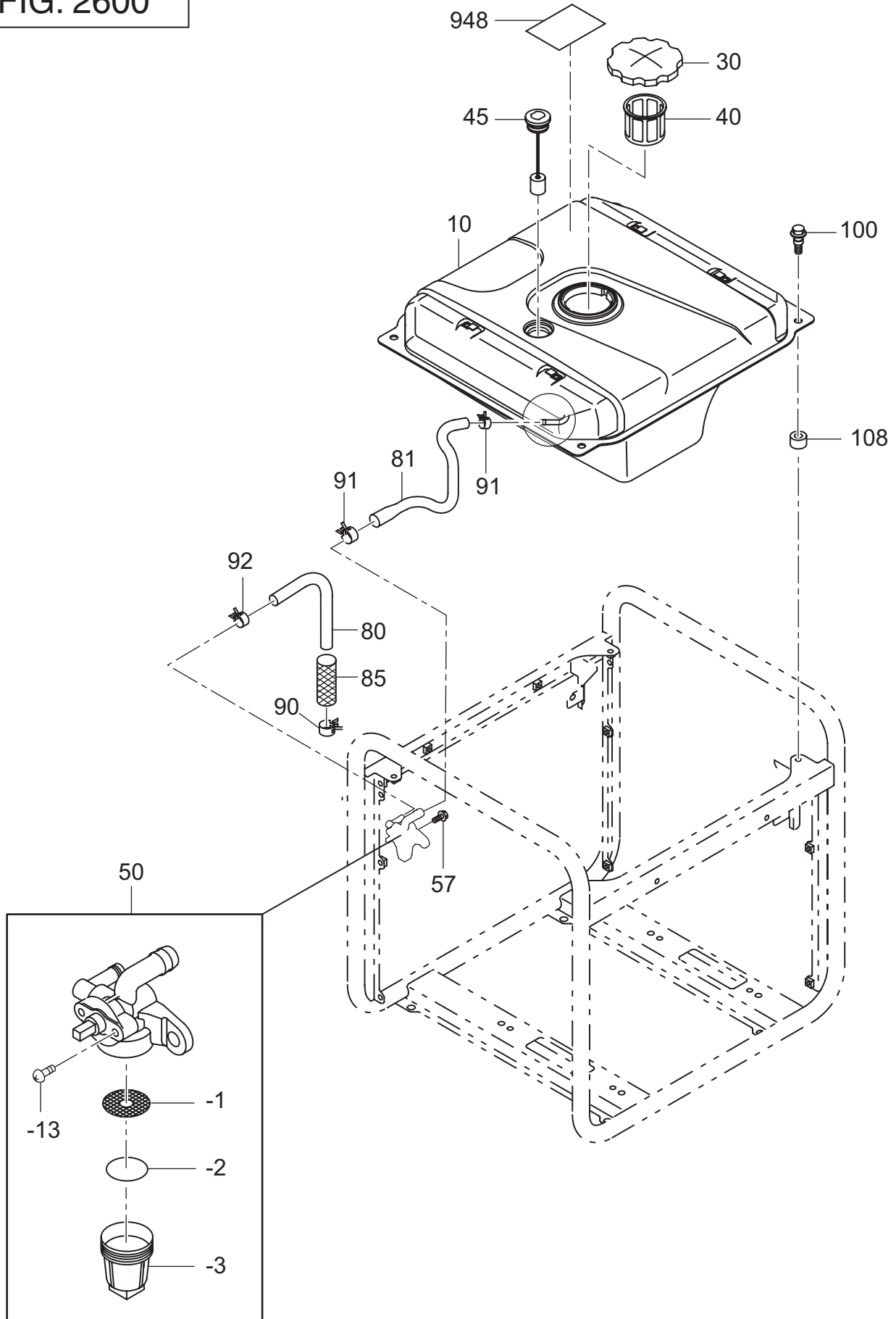
2 5 COVER

REF.	PARTS NUMBER	PARTS NAME	QTY	REMARKS	CODE NO. FROM-TO	INTERCHANGEABLE PART NUMBER	UNIT PRICE	FIG.
210	33B-50101-01	FRONT COVER (LOWER) CP	1		-			2500
215	33B-35501-01	BRACKET (COVER) CP	1		-			2500
230	33B-50501-01	REAR COVER (UPPER) CP	1		-			2500
272	011-00601-80	FLANGE BOLT	2	M6X18L	-			2500
274	001-11062-50	BOLT AND WASHER AY	1		-			2500
277	002-38060-00	FLANGE NUT	1		-			2500
280	34B-57310-03	SEAL SPONGE FC1	1		-			2500
290	34B-57311-03	SEAL SPONGE FC2	1		-			2500
310	34J-51001-01	SIDE COVER (R) CP	1		-			2500
315	34J-55101-03	SIDE RUBBER SEAL	1		-			2500
330	34J-51101-01	SIDE COVER (L) CP	1		-			2500
335	34J-55101-03	SIDE RUBBER SEAL	1		-			2500
360	34G-55301-01	COVER BOLT CP	4		-			2500
365	34G-55302-01	SPACER CP	4		-			2500
380	34J-59001-13	SPONGE (S COVER-R)	1		-			2500
390	34J-59002-13	SPONGE (S COVER-L)	1		-			2500
391	34G-59008-03	SPONGE (S COVER-L)	1		-			2500
405	34G-57321-03	SEAL SPONGE (SIDE)	2		-			2500
410	33B-56411-01	MUF COVER (REAR) CP	1		-			2500
420	34J-56351-01	MUF COVER (LL) CP	1		-			2500
425	33B-57005-03	SEAL RUBBER	1		-			2500
460	011-00601-80	FLANGE BOLT	6	M6X18L	-			2500
461	011-00600-80	FLANGE BOLT	4	M6X12L	-			2500
480	33B-57105-03	GLASS WOOL (M-COVER)	1		-			2500
482	33B-57104-03	GLASS WOOL	1		-			2500
490	34J-57321-03	SEAL SPONGE (MF27)	2		-			2500
610	34G-55001-01	COVER (RECOIL KNOB) CP	1		-			2500
615	34G-55002-01	PLATE CP	1		-			2500
617	004-35061-00	SCREW AND WASHER AY	2	M6X10L	-			2500
900	34J-91003-03	LABEL (TRADE MARK-R)	1		-			2500
901	34J-92003-03	LABEL (TRADE MARK-L)	1		-			2500
904	34J-96007-03	LABEL (SPEC)	1		-			2500
910	33K-94002-03	LABEL (CAUTION)	1		-			2500
956	073-20045-00	LABEL (HOT&GAS)	1		-			2500
150	33D-56101-01	SEPARATOR (A/C)	1		-			2510
151	33D-56102-01	SEPARATOR (SEL)	1		-			2510

2 5 COVER

REF.	PARTS NUMBER	PARTS NAME	QTY	REMARKS	CODE NO. FROM-TO	INTERCHANGEABLE PART NUMBER	UNIT PRICE	FIG.
160	011-00600-10	FLANGE BOLT	6	M6X8L	-			2510
680	33B-57003-03	SEAL RUBBER (TANK)	2		-			2510
681	33B-57004-03	SEAL RUBBER	1		-			2510
682	34J-57201-03	SPONGE (TANK)	1		-			2510

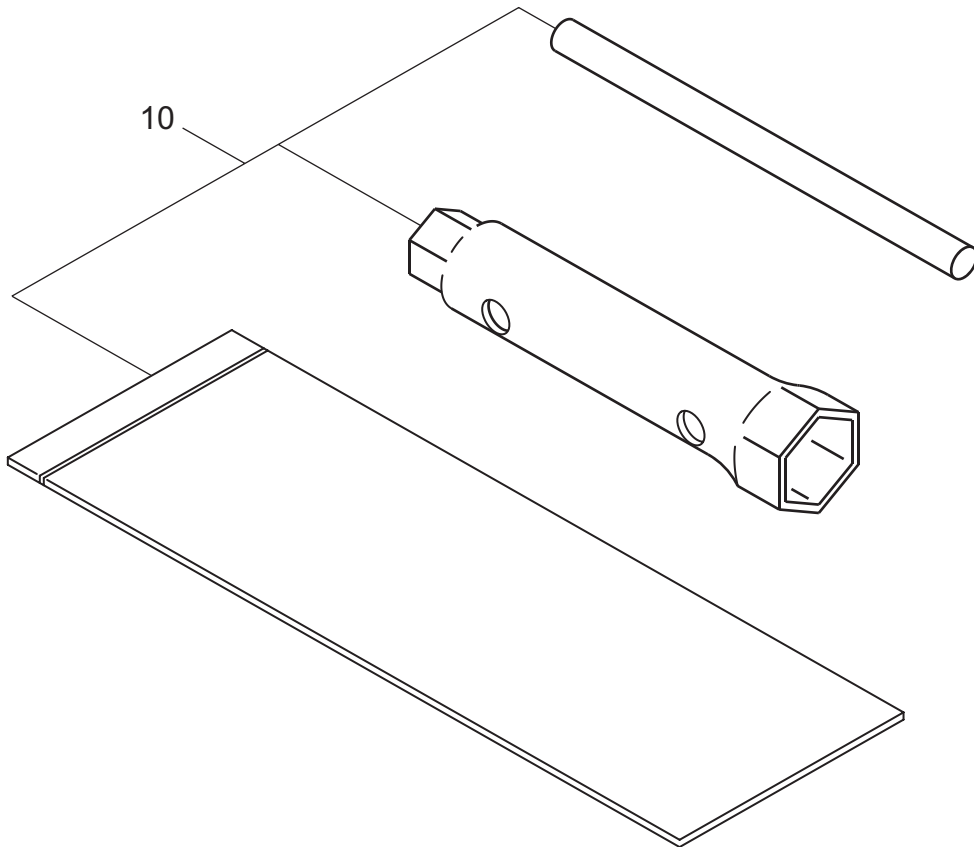
FIG. 2600



2 6 F U A L T A N K

REF.	PARTS NUMBER	PARTS NAME	QTY	REMARKS	CODE NO. FROM-TO	INTERCHANGEABLE PART NUMBER	UNIT PRICE	FIG.
10	33D-60104-11	FUEL TANK CP	1		-			2600
30	043-05900-11	FUEL TANK CAP AY	1		-			2600
40	064-15400-11	FUEL FILTER	1		-			2600
45	064-80015-00	FUEL GAUGE CP	1		-			2600
50	064-20103-00	FUEL STRAINER AY	1		-			2600
-1	064-20093-20	FILTER	1		-			2600
-2	064-20064-10	GASKET, O-RING	1		-			2600
-3	064-20078-10	CUP	1		-			2600
-13	064-20047-90	SCREW	2		-			2600
57	011-00600-20	FLANGE BOLT	1	M6X12L	-			2600
80	085-10600-00	RUBBER PIPE	1	6DX12D	-			2600
81	085-10700-40	RUBBER PIPE	1	TANK - COCK	-			2600
85	251-17302-03	MESH PROTECTOR	1		-			2600
90	056-11100-20	HOSE CLAMP	1	11D	-			2600
91	056-11300-10	HOSE CLAMP	2	13. 2D	-			2600
92	056-11000-30	HOSE CLAMP	1	10D	-			2600
100	011-00602-20	FLANGE BOLT	4		-			2600
108	391-39000-13	RUBBER (TANK)	4		-			2600
948	073-20045-10	LABEL (SYMBOL-TANK)	1		-			2600

FIG. 2900



2 9 ACCESSORIES

REF.	PARTS NUMBER	PARTS NAME	QTY	REMARKS	CODE NO. FROM-TO	INTERCHANGEABLE PART NUMBER	UNIT PRICE	FIG.
10	277-90301-H0	ACCESSORY TOOL KIT	1		-			2900