



Robin Generator

Model

RG4300i

For DEU

PARTS CATALOG

**Spec. No. RAC43017010
(E/G Spec. No. EX270D20170)**

**富士重工業株式会社
FUJI HEAVY INDUSTRIES LTD.**

ISSUE EMD-GP6015	
ISSUE DATE	2004.05

FIG. 100

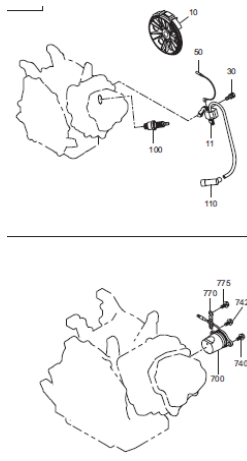
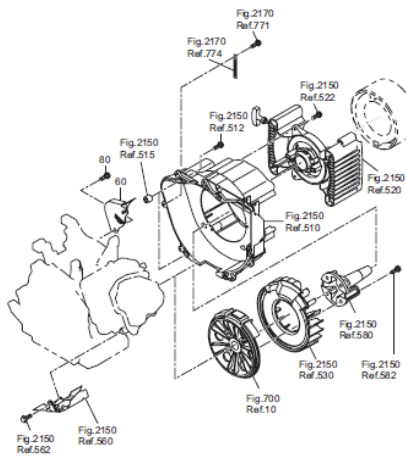
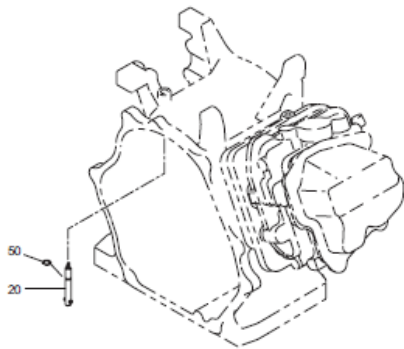
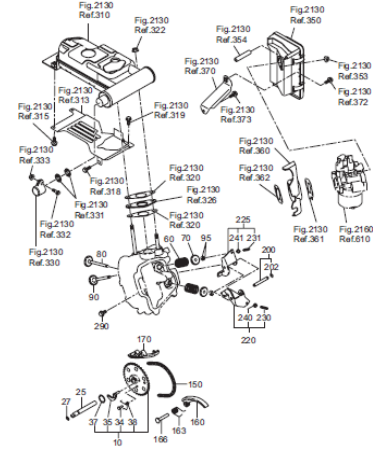
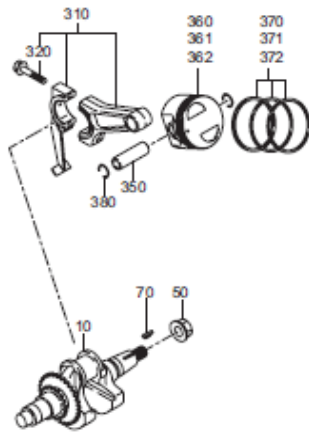
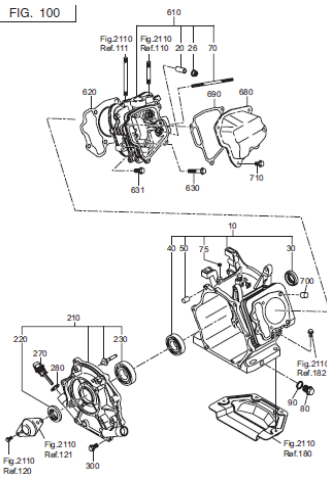


FIG. 2110

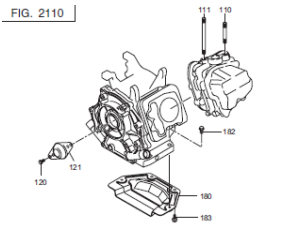


FIG. 2130

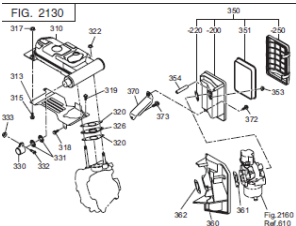
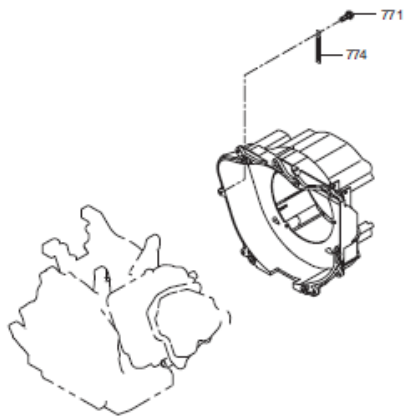
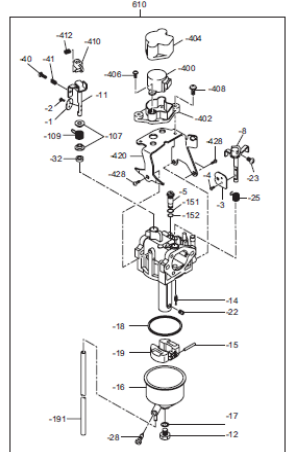
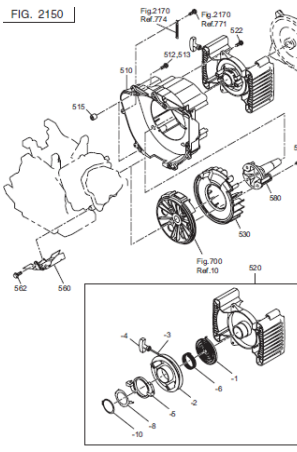


FIG. 2150



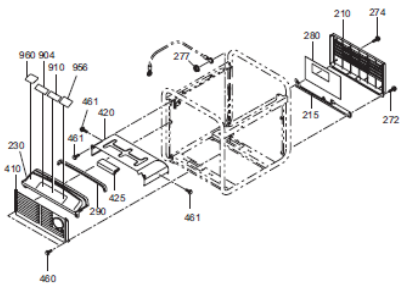
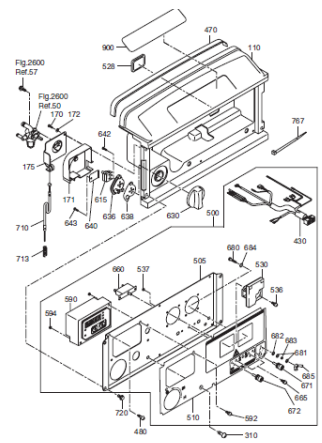
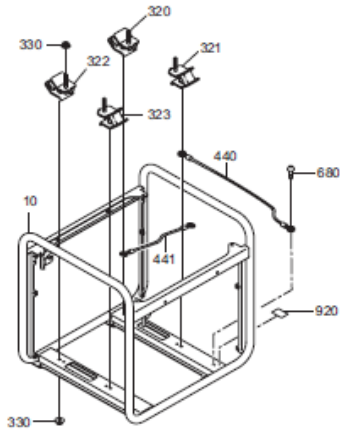
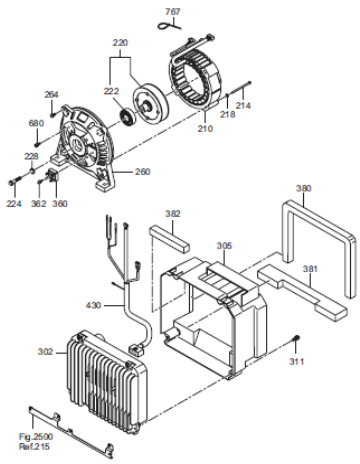


FIG. 2600

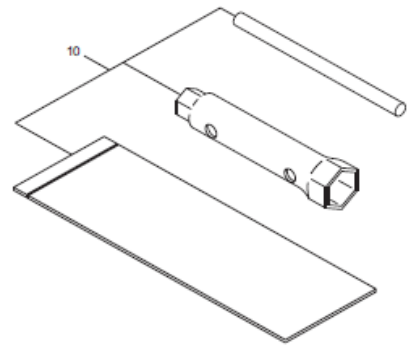
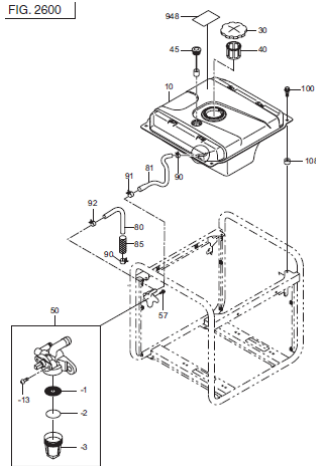
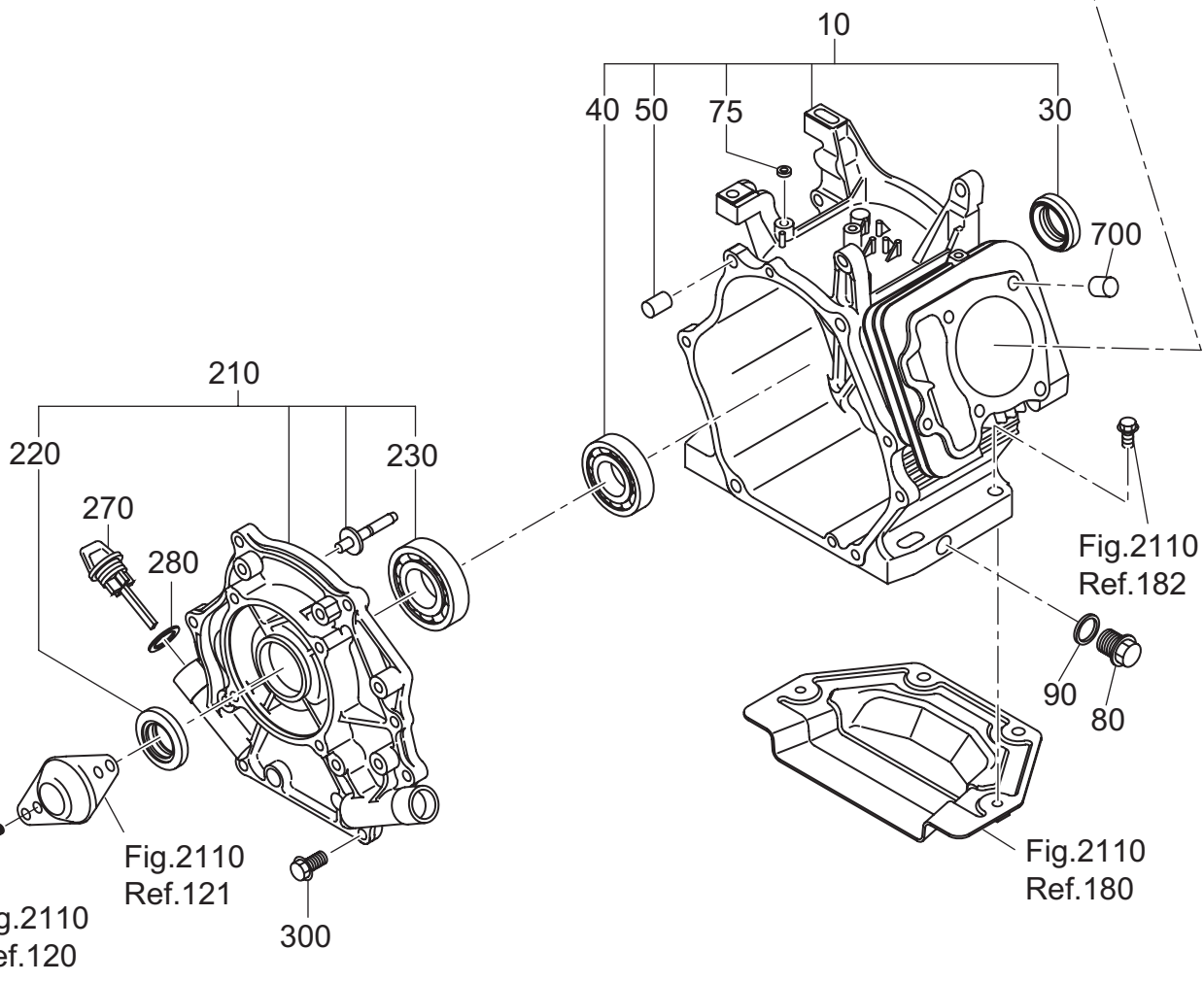
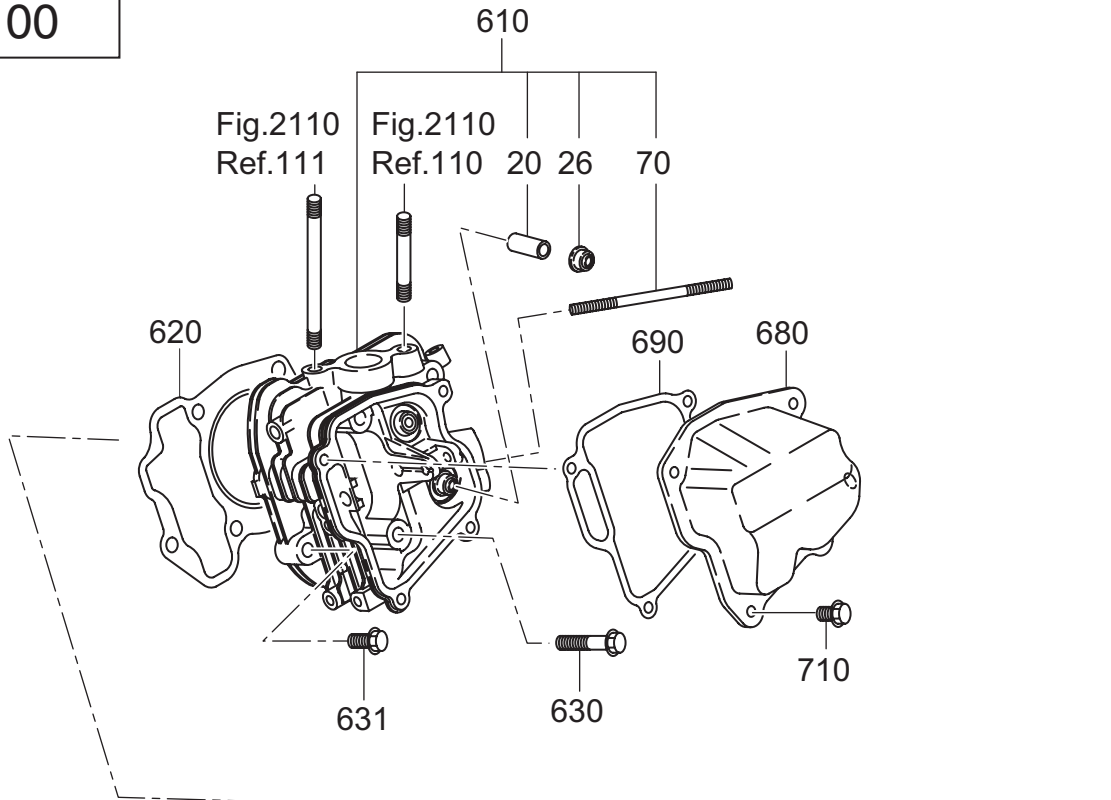


FIG. 100



960—GASKET SET

FIG. 200

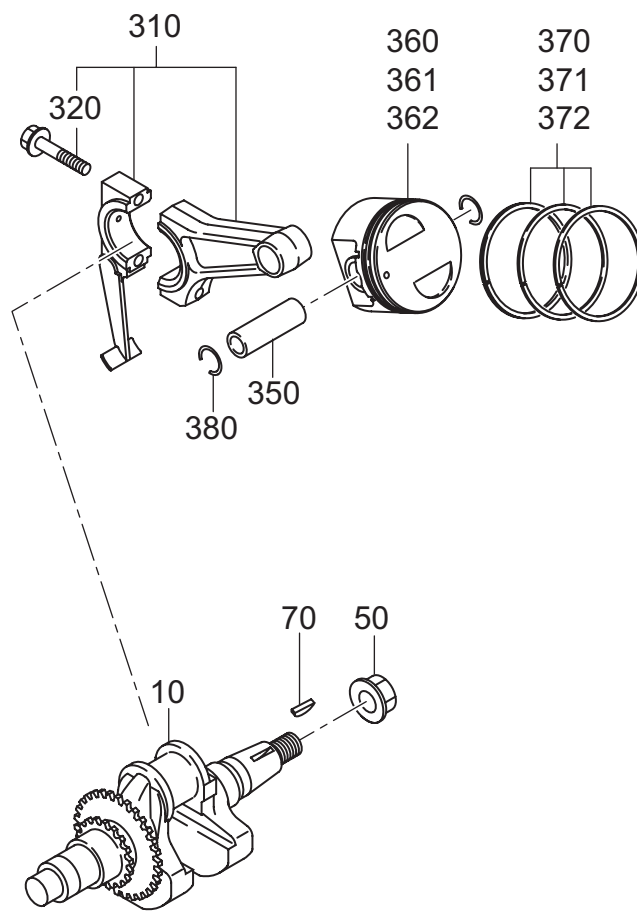


FIG. 300

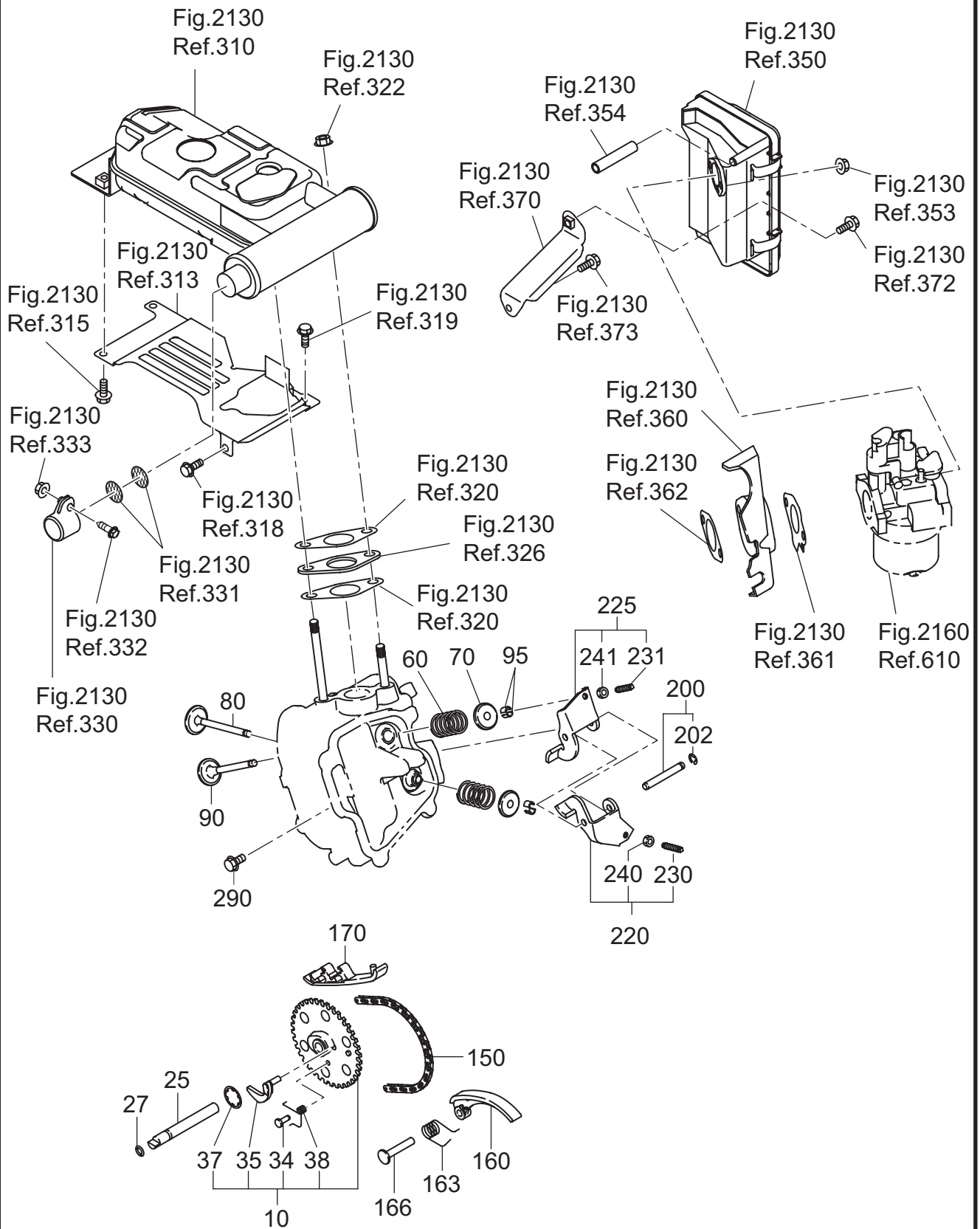


FIG. 400

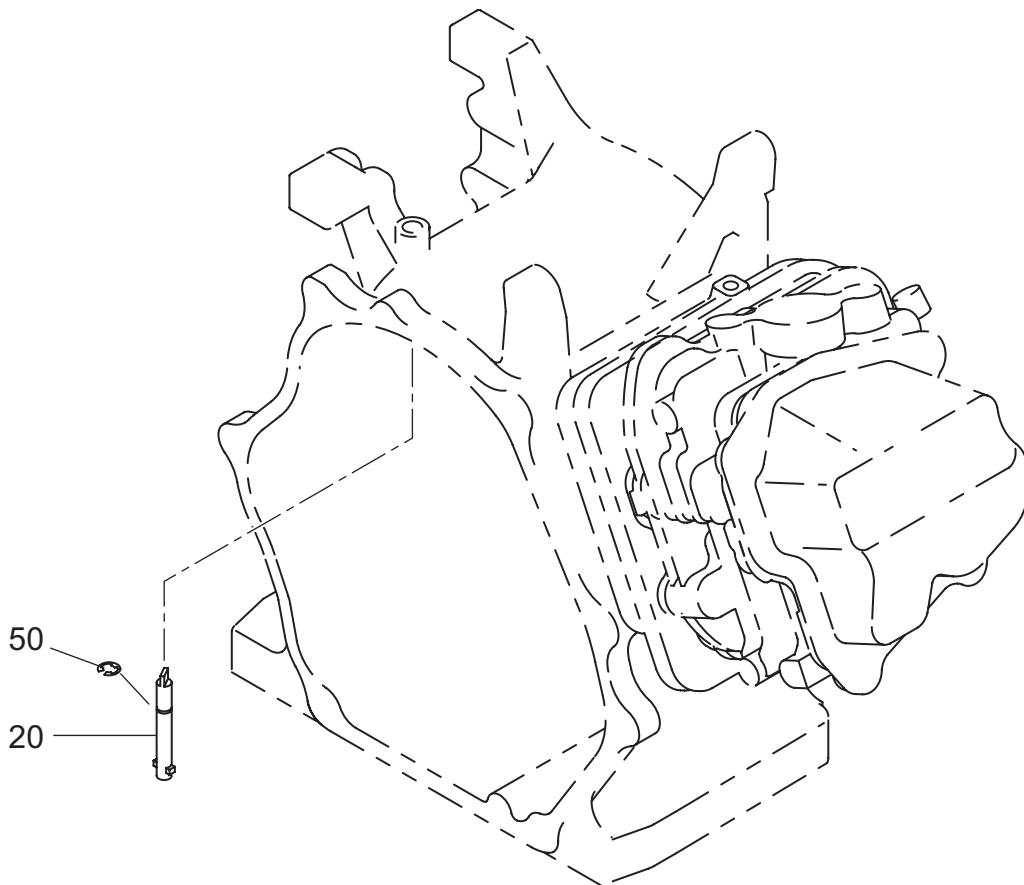


FIG. 500

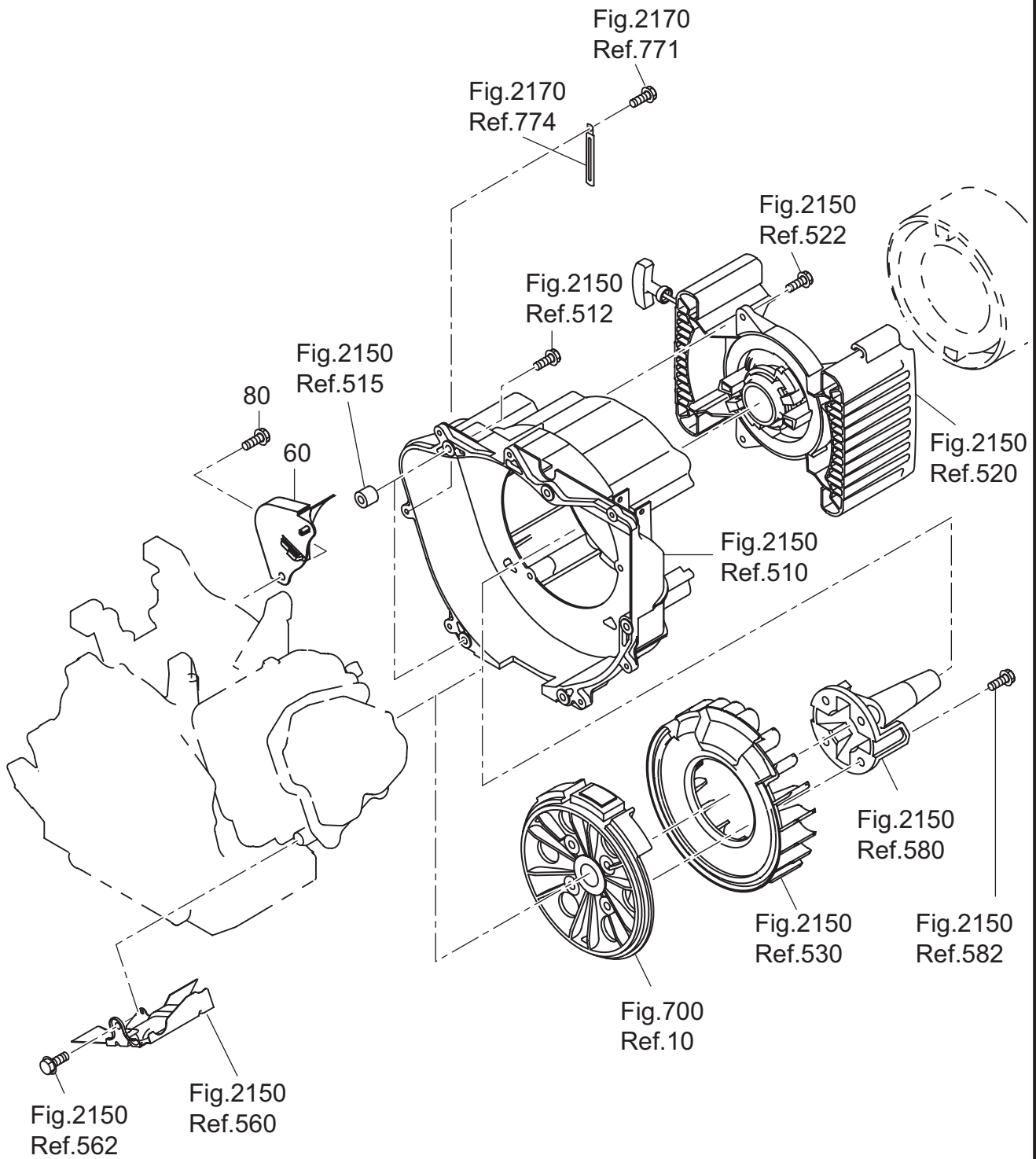


FIG. 700

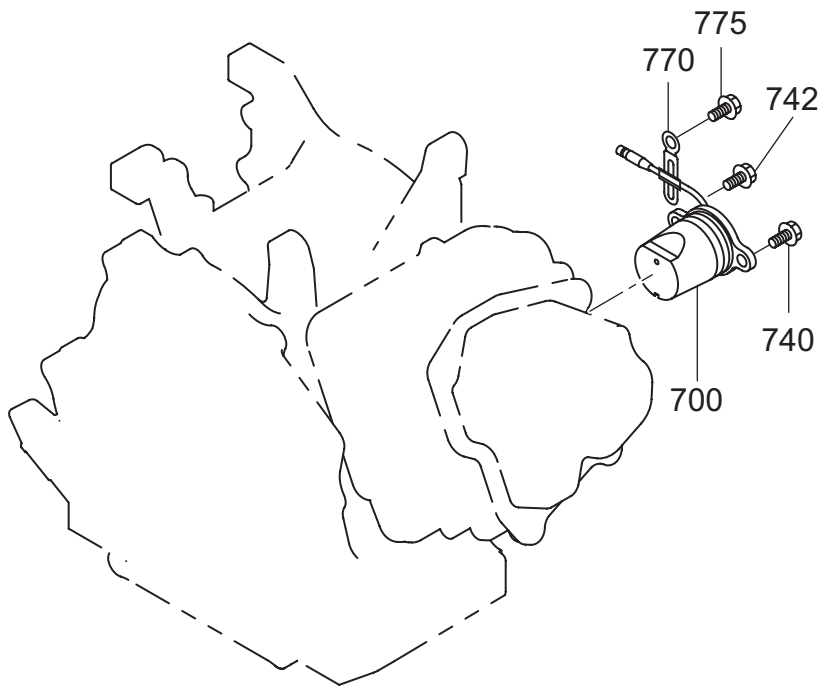
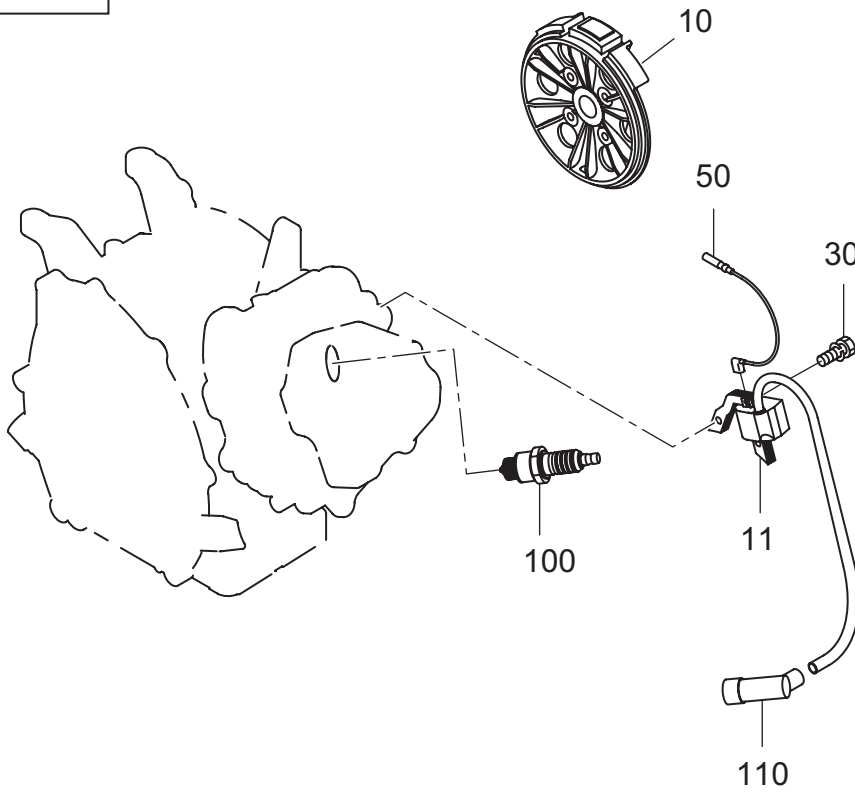


Fig.2160 Ref.610 CARBURETOR AY

FIG. 2110

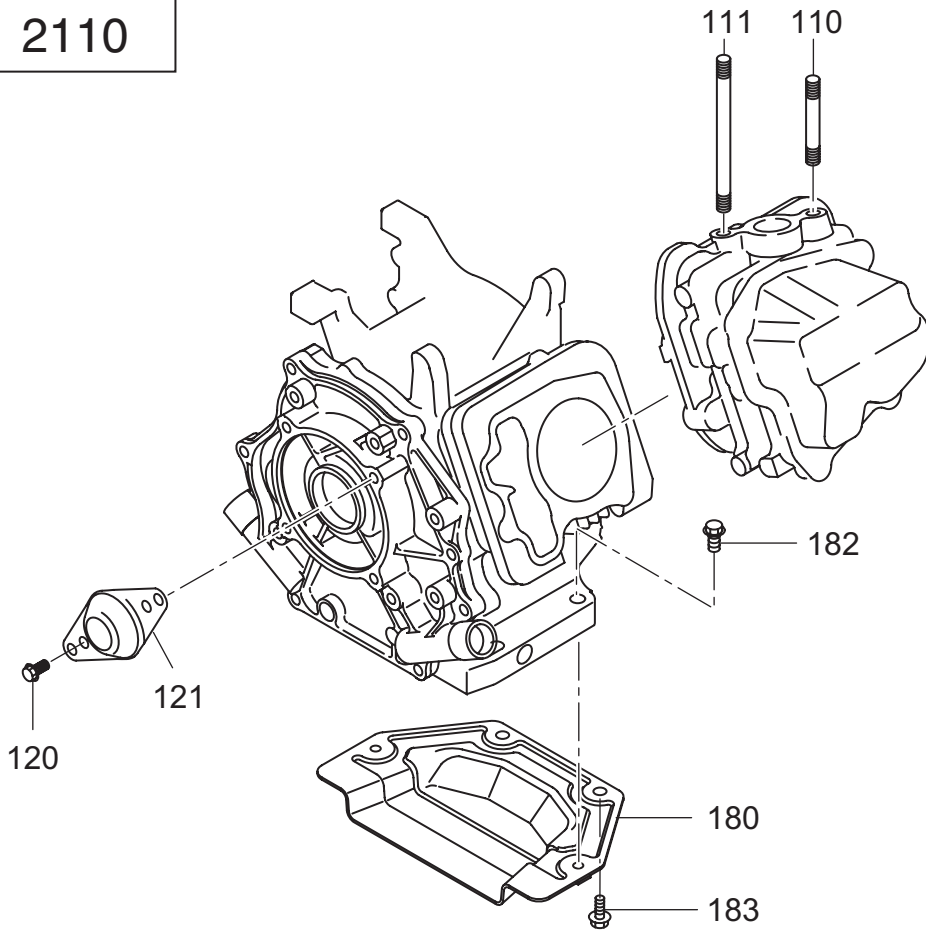


FIG. 2130

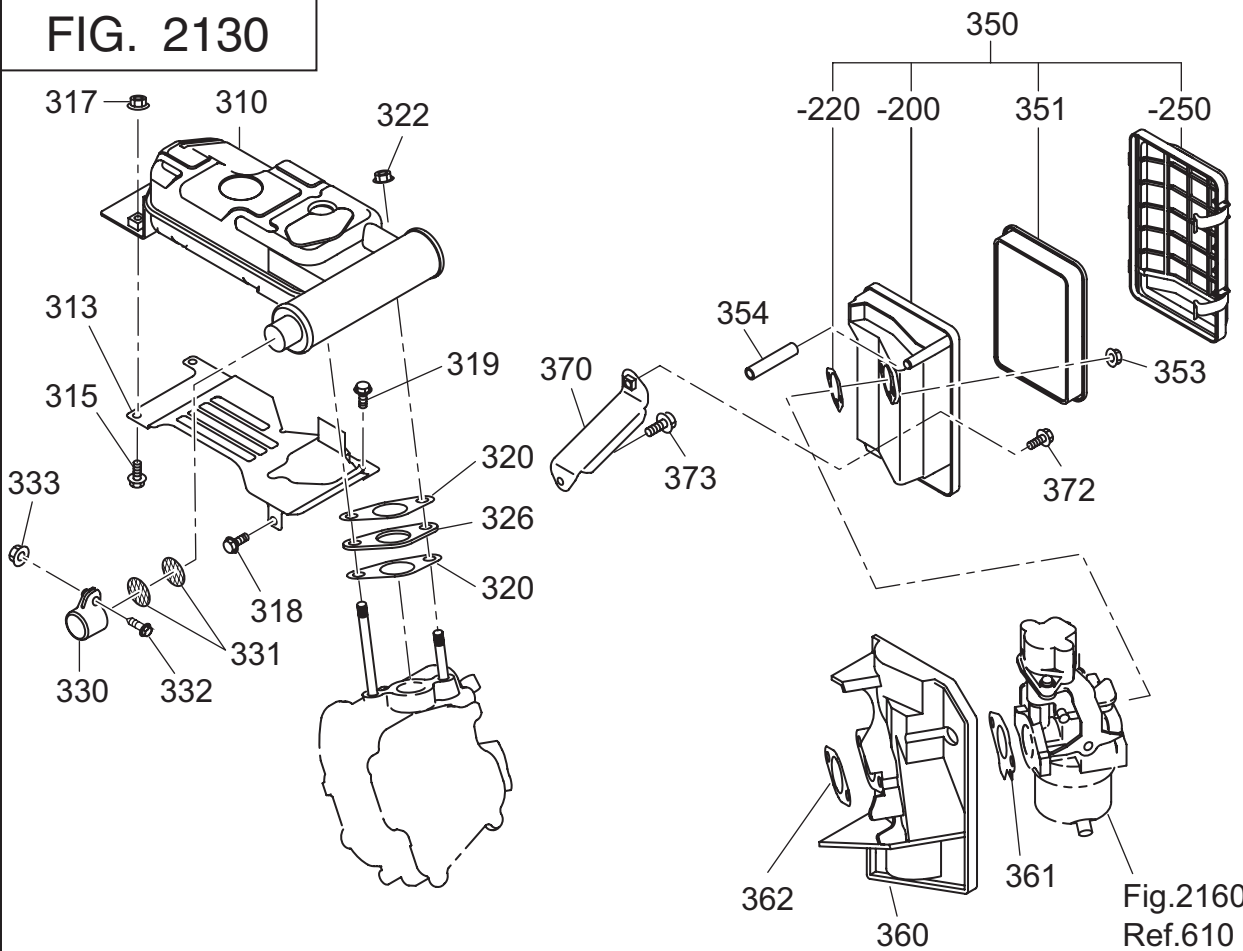


FIG. 2150

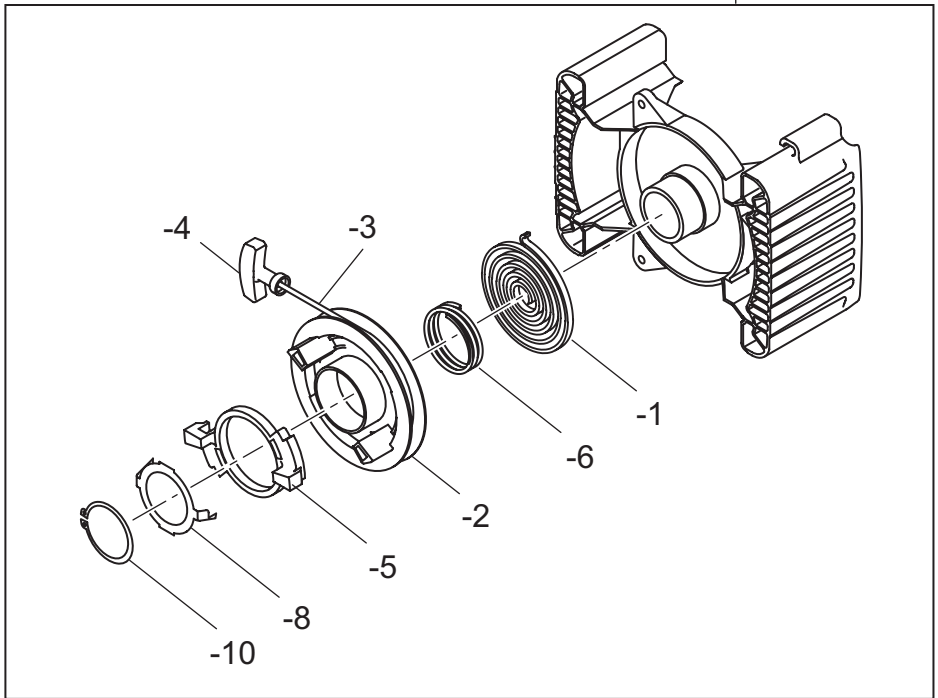
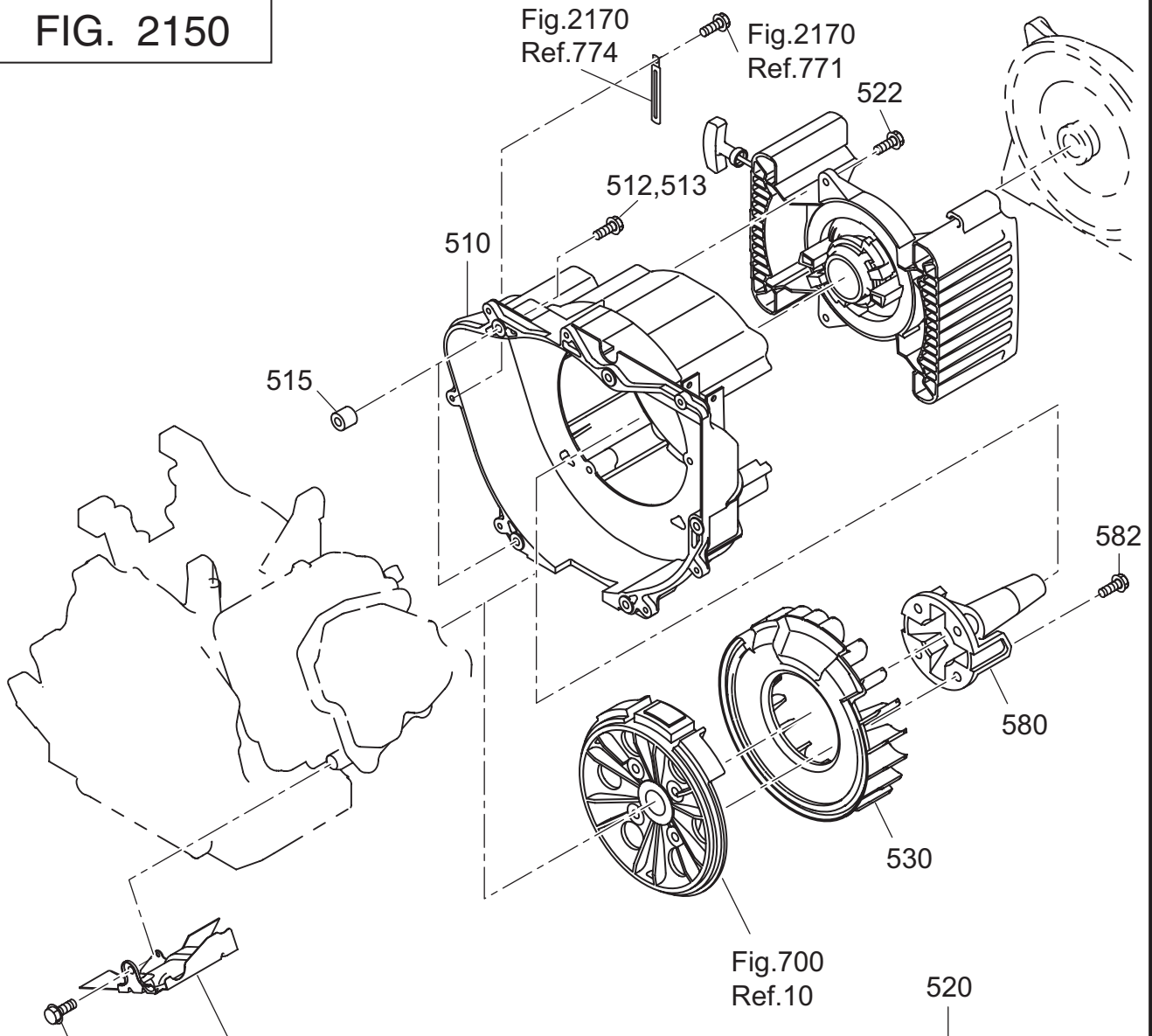


FIG. 2160

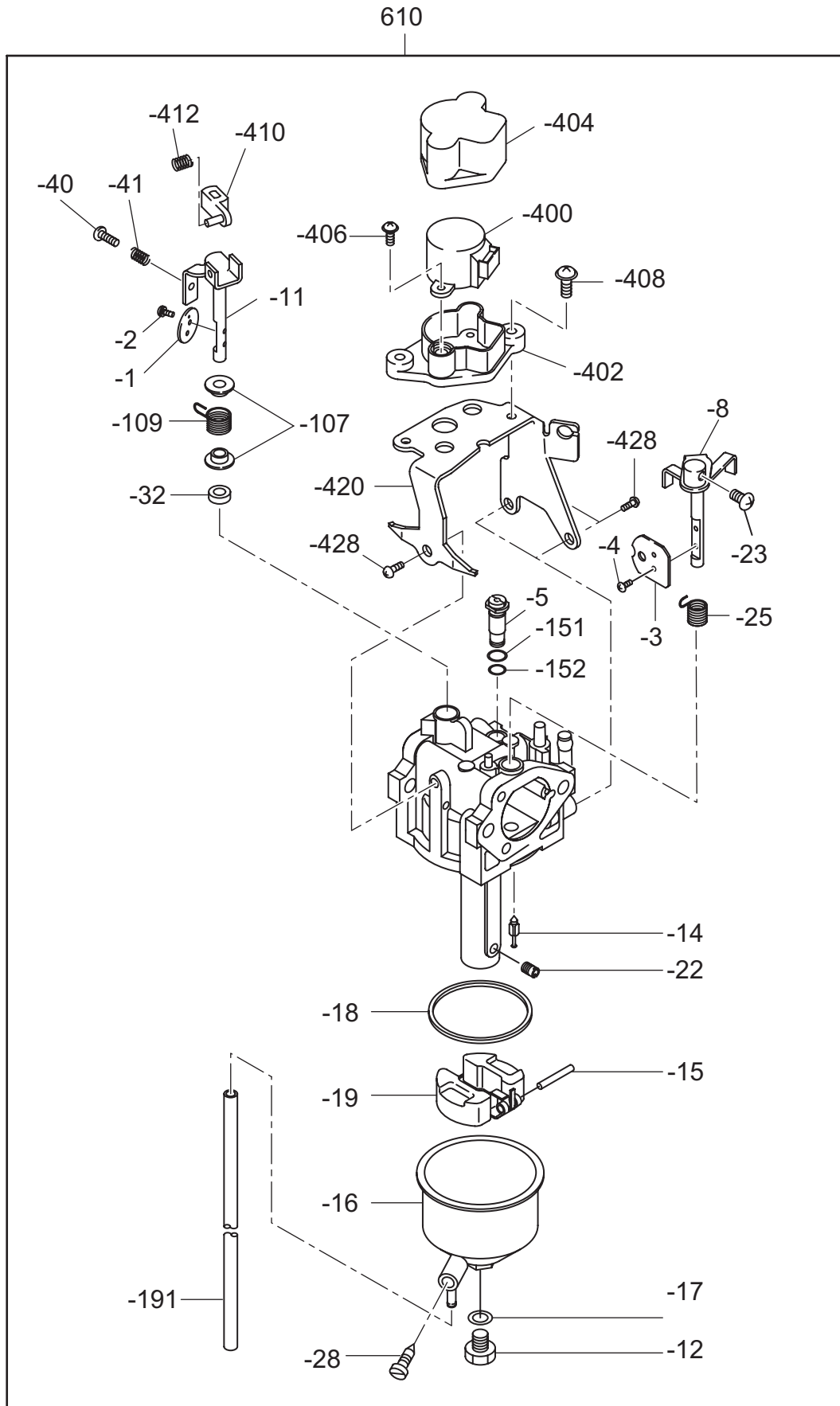
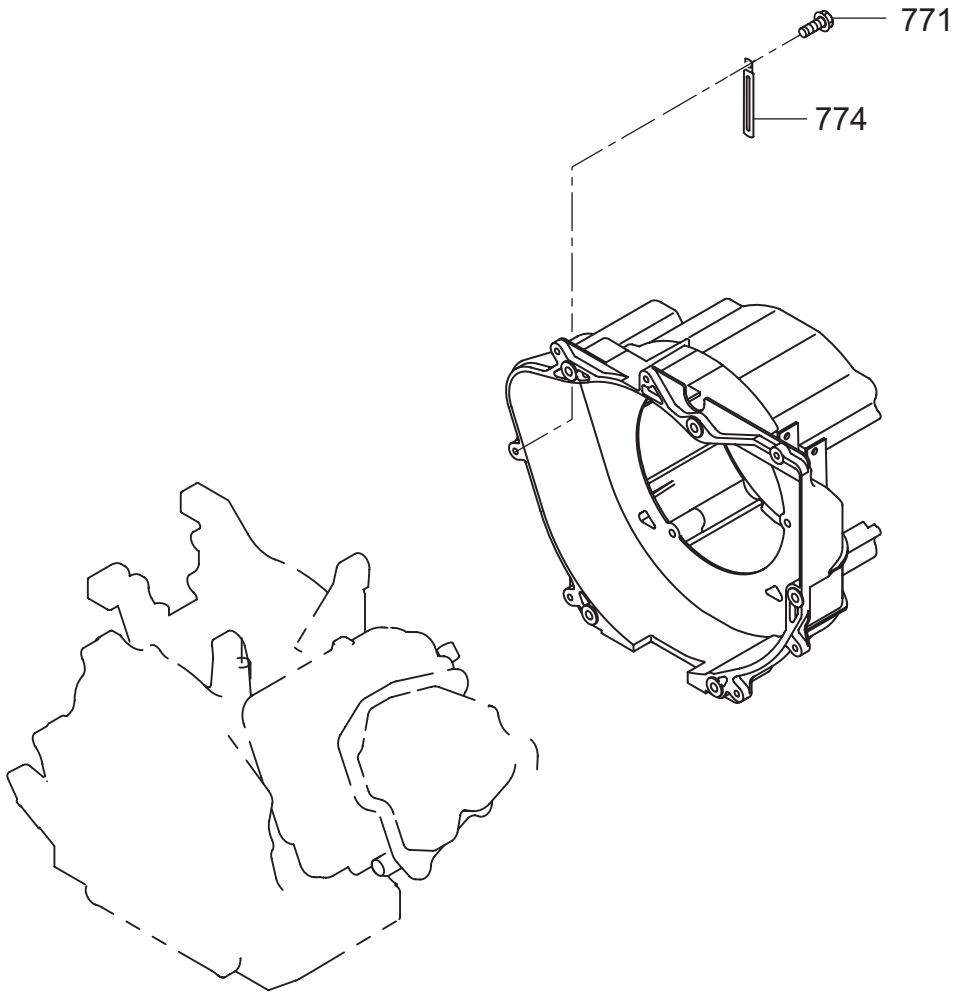


FIG. 2170



2 1 ENGINE

REF.	PARTS NUMBER	PARTS NAME	QTY	REMARKS	CODE NO. FROM-TO	INTERCHANGEABLE PART NUMBER	UNIT PRICE	FIG.
110	010-50802-90	STUD	1		-			2110
111	010-50804-40	STUD	1	M8X120L	-			2110
120	011-00801-50	FLANGE BOLT	2	M8X12L	-			2110
121	277-87001-03	COVER (CRANK SHAFT)	1		-			2110
180	33D-35001-01	BOTTOM EXT. PLATE CP	1		-			2110
182	011-00802-70	FLANGE BOLT	2	M8X33L	-			2110
183	011-00801-50	FLANGE BOLT	2	M8X12L	-			2110
310	279-30401-21	MUFFLER CP	1		-			2130
313	33D-52601-03	BAFFLE	1		-			2130
315	011-00802-70	FLANGE BOLT	2	M8X33L	-			2130
317	002-38080-00	FLANGE NUT	2		-			2130
318	011-00803-20	FLANGE BOLT	1	M8X12L	-			2130
319	011-00600-10	FLANGE BOLT	1	M6X8L	-			2130
320	277-35201-13	GASKET (MUFFLER)	2		-			2130
322	980-20082-80	FLANGE NUT	2	M8	-			2130
326	279-39201-03	FLANGE	1		-			2130
330	277-37210-03	TAIL SCREEN COVER	1		-			2130
331	277-37220-03	SCREEN	2		-			2130
332	004-35051-60	SCREW AND WASHER AY	1		-			2130
333	002-18050-00	NUT	1		-			2130
350	279-32622-00	AIR CLEANER AY	1		-			2130
-200	279-32635-08	CLEANER BODY CP	1		-			2130
-220	279-32650-08	GASKET	1		-			2130
-250	279-32646-08	COVER CP	1		-			2130
351	279-32612-08	ELEMENT AY	1		-			2130
353	002-38060-00	FLANGE NUT	2		-			2130
354	085-10800-00	RUBBER PIPE	1	8DX11D	-			2130
360	279-32910-03	INSULATOR	1		-			2130
361	279-35902-H3	GASKET 1 (INSULATOR)	1		-			2130
362	279-35903-H3	GASKET 2 (INSULATOR)	1		-			2130
370	279-39004-01	BRACKET (A/C) CP	1		-			2130
372	011-00600-50	FLANGE BOLT	1	M6X20L	-			2130
373	011-00601-50	FLANGE BOLT	1	M6X10L	-			2130
510	279-52001-13	BLOWER HOUSING	1		-			2150
512	001-14063-00	BOLT AND WASHER AY	1		-			2150
513	001-14066-00	BOLT AND WASHER AY	4		-			2150

2 1 ENGINE

REF.	PARTS NUMBER	PARTS NAME	QTY	REMARKS	CODE NO. FROM-TO	INTERCHANGEABLE PART NUMBER	UNIT PRICE	FIG.
515	980-40081-10	STR PIN -8X10	2	M6	-			2150
520	277-50401-00	RECOIL STARTER AY	1		-			2150
-1	277-50402-08	SPIRAL SPRING	1		-			2150
-2	277-50403-08	REEL	1		-			2150
-3	277-50408-08	STARTER PORE	1		-			2150
-4	277-50409-08	STARTER KNOB	1		-			2150
-5	277-50404-08	RACHET	1		-			2150
-6	277-50405-08	FRICTION SPRING	1		-			2150
-8	277-50407-08	FRICTION PLATE	1		-			2150
-10	277-50406-08	RETAINING RING	1		-			2150
522	011-00601-40	FLANGE BOLT	3	M6X18L	-			2150
530	279-54110-03	COOLING BLOWER	1		-			2150
560	279-52702-13	BAFFLE 2 (HEAD)	1		-			2150
562	011-00600-20	FLANGE BOLT	1	M6X12L	-			2150
580	277-24401-03	DRIVING SHAFT	1		-			2150
582	011-01001-10	FLANGE BOLT	4	M8X27L	-			2150
610	279-62330-00	CARBURETOR AY	1		-			2160
-1	279-62535-08	THROTTLE VALVE	1		-			2160
-2	251-62450-08	SCREW	2		-			2160
-3	279-62526-08	CHOKE VALVE	1		-			2160
-4	251-62450-08	SCREW	2		-			2160
-5	279-62420-08	SLOW JET	1		-			2160
-8	279-62521-08	CHOKE LEVER	1		-			2160
-11	279-62531-08	THROTTLE SHAFT	1		-			2160
-12	251-62453-08	BOLT	1		-			2160
-14	279-62500-08	NEEDLE	1		-			2160
-15	279-62515-08	PIN	1		-			2160
-16	279-62553-08	FLOAT BODY	1		-			2160
-17	251-62350-08	GASKET	1		-			2160
-18	279-62540-08	GASKET CHAMBER	1		-			2160
-19	279-62505-08	FLOAT SUB AY	1		-			2160
-22	279-62400-08	JET MAIN	1		-			2160
-23	284-62456-08	SCREW	1		-			2160
-25	279-62447-08	SPRING (CHOKE)	1		-			2160
-28	279-62581-08	SCREW	1		-			2160
-32	279-62561-08	BUSH	1		-			2160

FIG. 2170

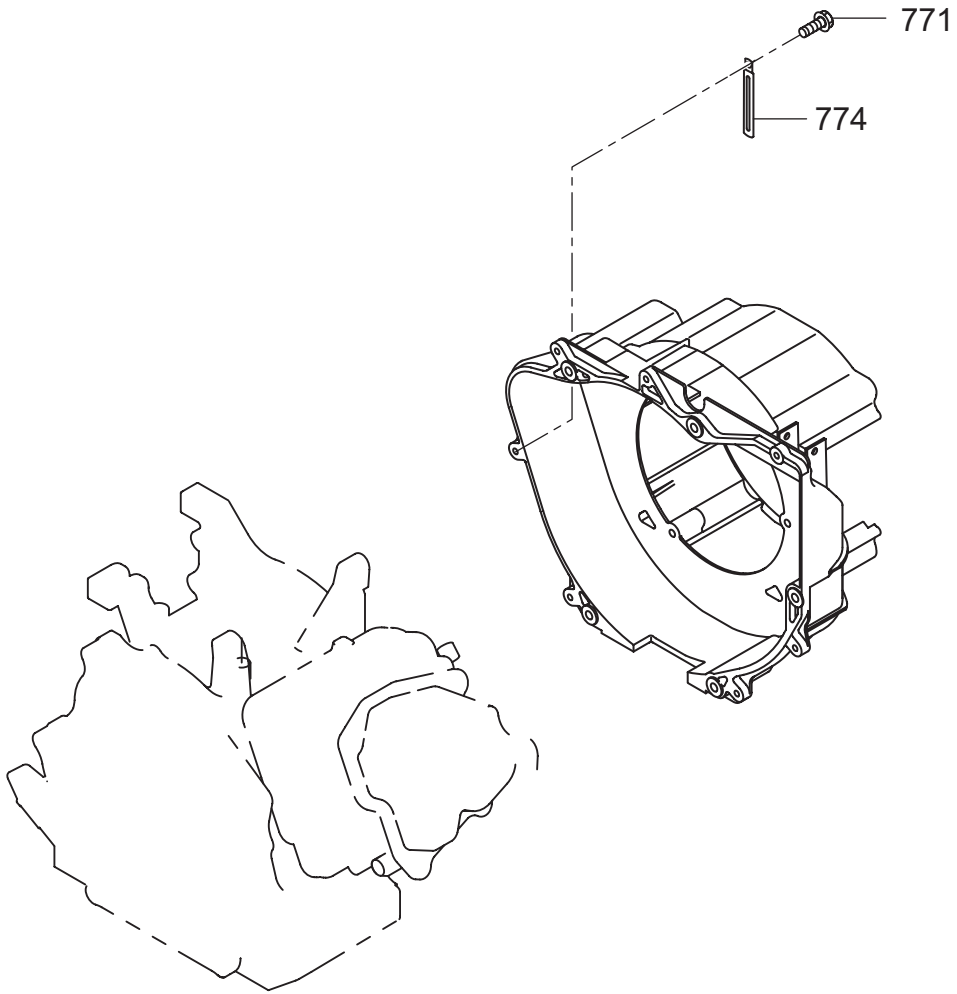


FIG. 2200

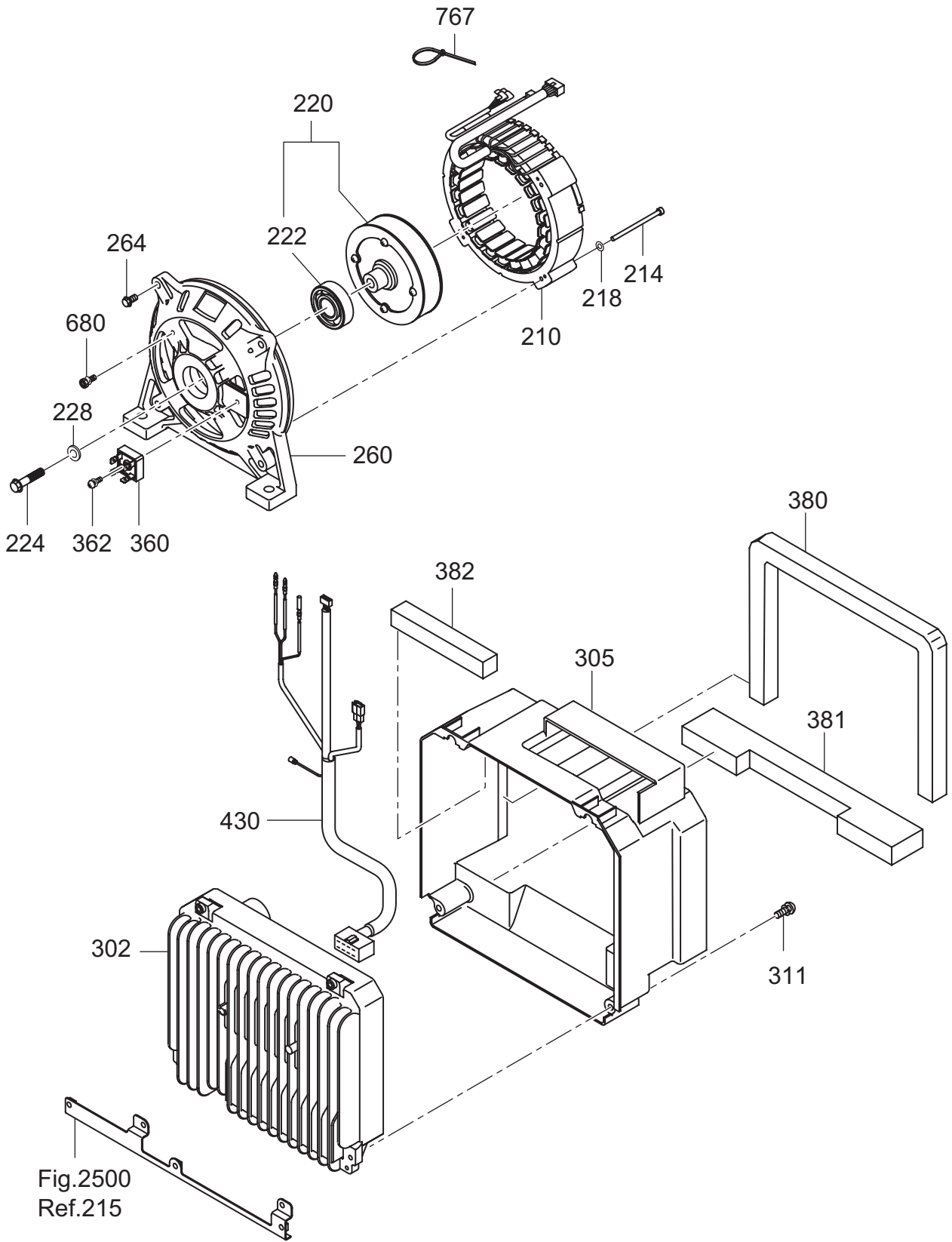


FIG. 2300

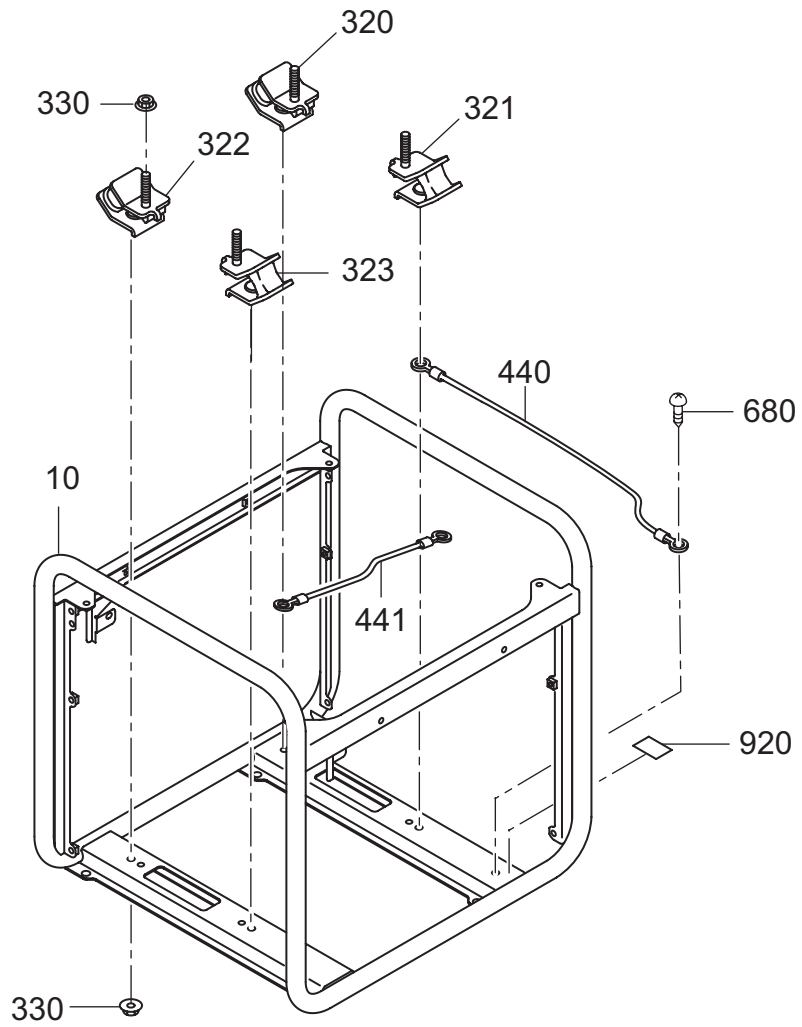
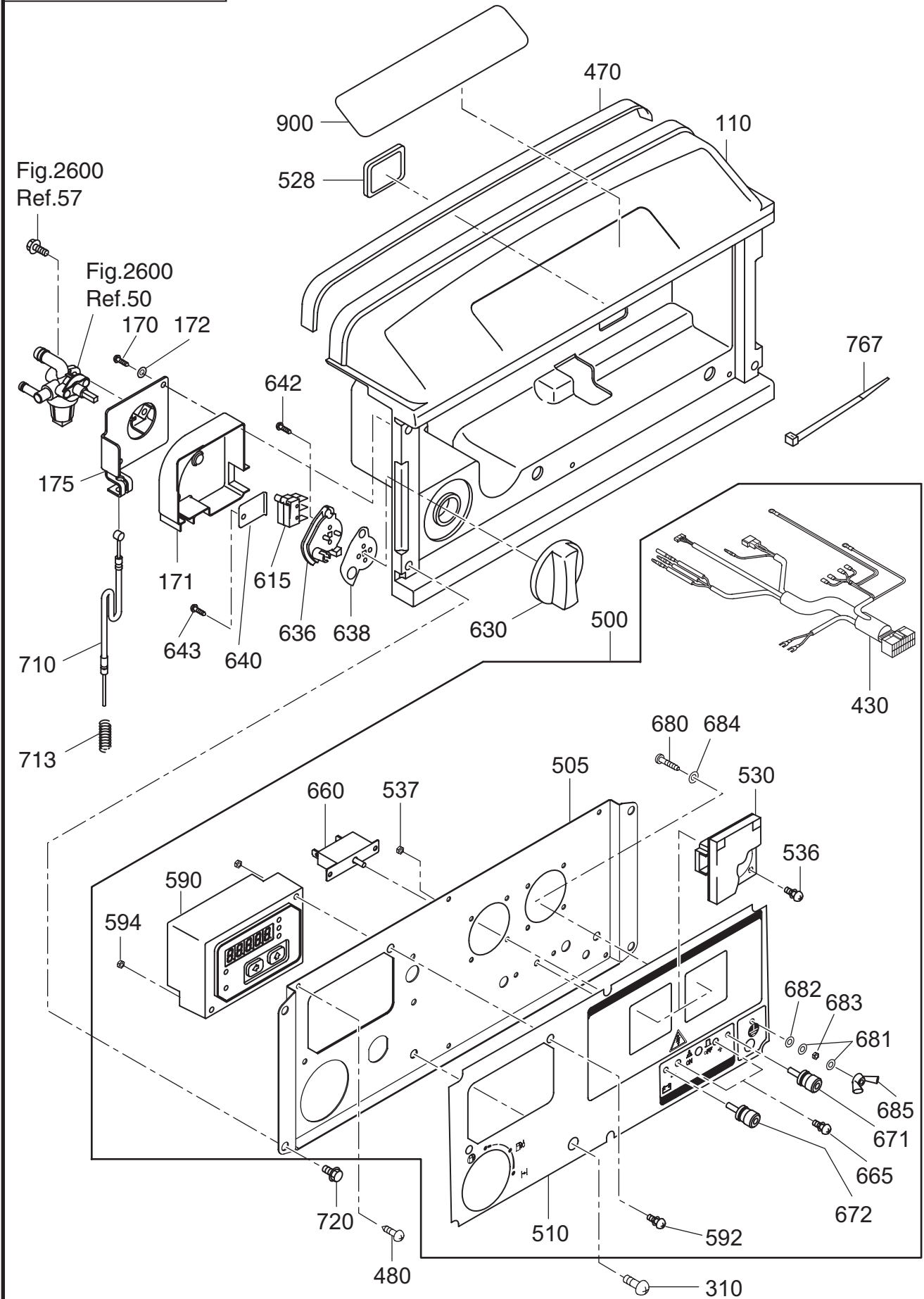


FIG. 2400

50Hz 230V DEU



2 4 CONTROL

REF.	PARTS NUMBER	PARTS NAME	QTY	REMARKS	CODE NO. FROM-TO	INTERCHANGEABLE PART NUMBER	UNIT PRICE	FIG.
110	33B-50001-01	FRONT COVER (UPPER) CP	1		-			2400
170	015-00400-70	TAPPING SCREW	2		-			2400
171	33B-46001-03	COVER (COCK)	1		-			2400
172	003-10040-00	WASHER	2		-			2400
175	33B-46012-01	BRACKET (COCK)	1		-			2400
310	004-36061-60	SCREW AND WASHER AY	2		-			2400
430	34B-48012-01	WIRE HARNESS CP	1		-			2400
470	34B-57311-03	SEAL SPONGE FC2	1		-			2400
480	353-49904-08	TAPPING SCREW	6		-			2400
500	34D-41718-10	CONTROL PANEL AY	1		-			2400
505	33B-45009-01	PANEL PLATE CP	1		-			2400
510	34B-49022-03	SHEET (PANEL VR) 22	1		-			2400
528	227-75001-03	GROMMET	1		-			2400
530	358-40621-08	AC CONCENT (FINLAND)	1		-			2400
536	004-36031-20	SCREW AND WASHER AY	8		-			2400
537	002-17030-00	NUT	8		-			2400
590	KU3-11770-11	MONITOR C/U CP (INV2)	1		-			2400
592	013-10400-80	SCREW AND WASHER AY	2		-			2400
594	002-17040-00	NUT	2		-			2400
615	33K-41811-03	MICRO SWITCH	2		-			2400
630	33K-42010-03	CONTROL DIAL	1		-			2400
636	33K-42020-03	CHOKE REEL	1		-			2400
638	33K-42030-13	PLATE	1		-			2400
640	33B-46015-01	BRACKET (MICRO)	1		-			2400
642	33K-41814-08	TAPPING SCREW	2	M3X16L	-			2400
643	015-00400-70	TAPPING SCREW	1		-			2400
660	352-45620-08	CIRCUIT BREAKER	1	201-10A	-			2400
665	31B-79011-03	SCREW	2		-			2400
671	363-45701-08	TERMINAL BOLT	1	RED	-			2400
672	363-45700-08	TERMINAL BOLT	1	BLACK	-			2400
680	388-88001-03	SCREW AND WASHER AY	1		-			2400
681	332-00050-08	SPRING WASHER	2		-			2400
682	353-49903-08	WASHER	1		-			2400
683	353-49902-08	NUT	1		-			2400
684	003-30050-00	LOCK WASHER	1		-			2400
685	353-49901-08	WING NUT	1		-			2400

FIG. 2400

50Hz 230V DEU

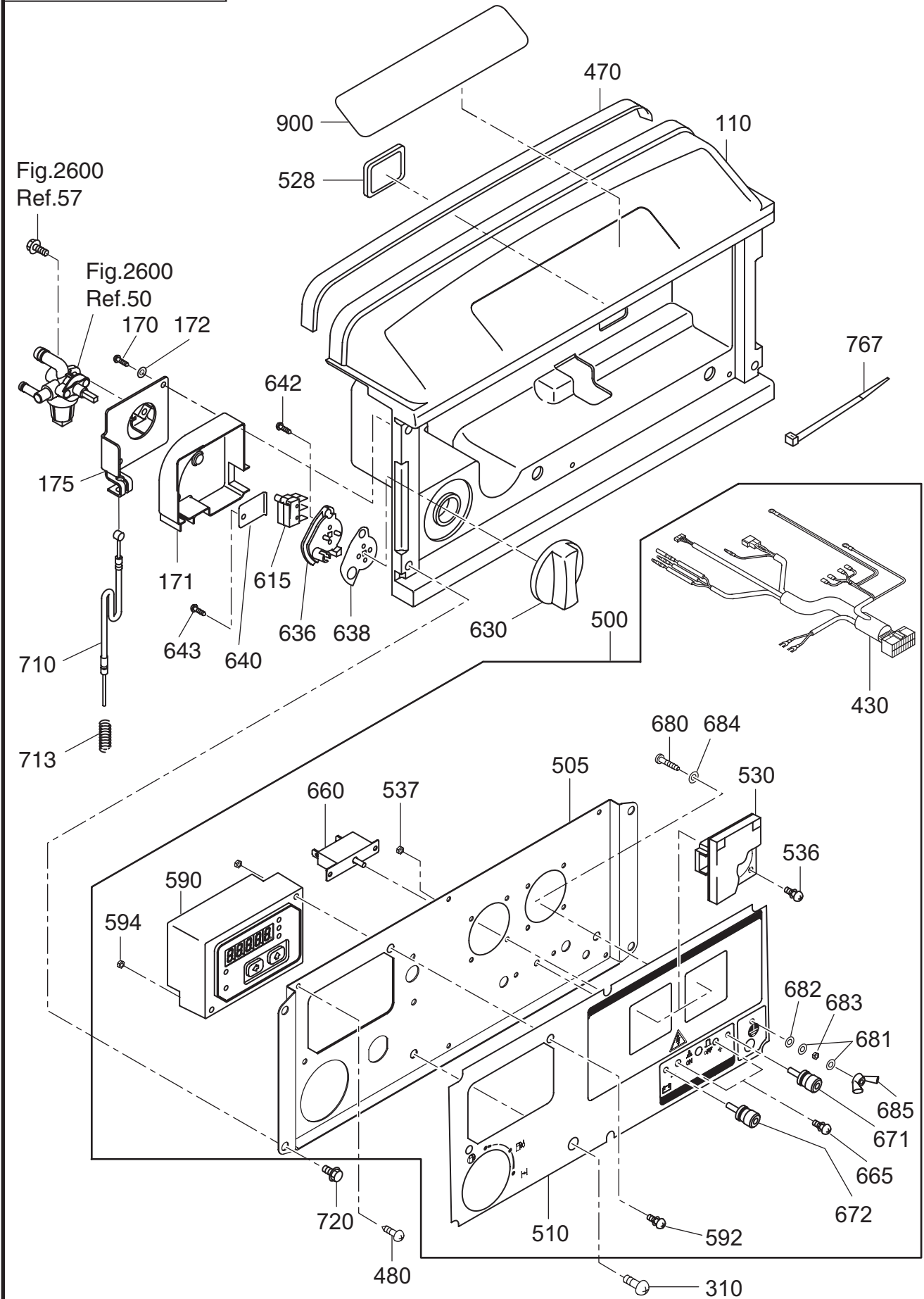


FIG. 2500

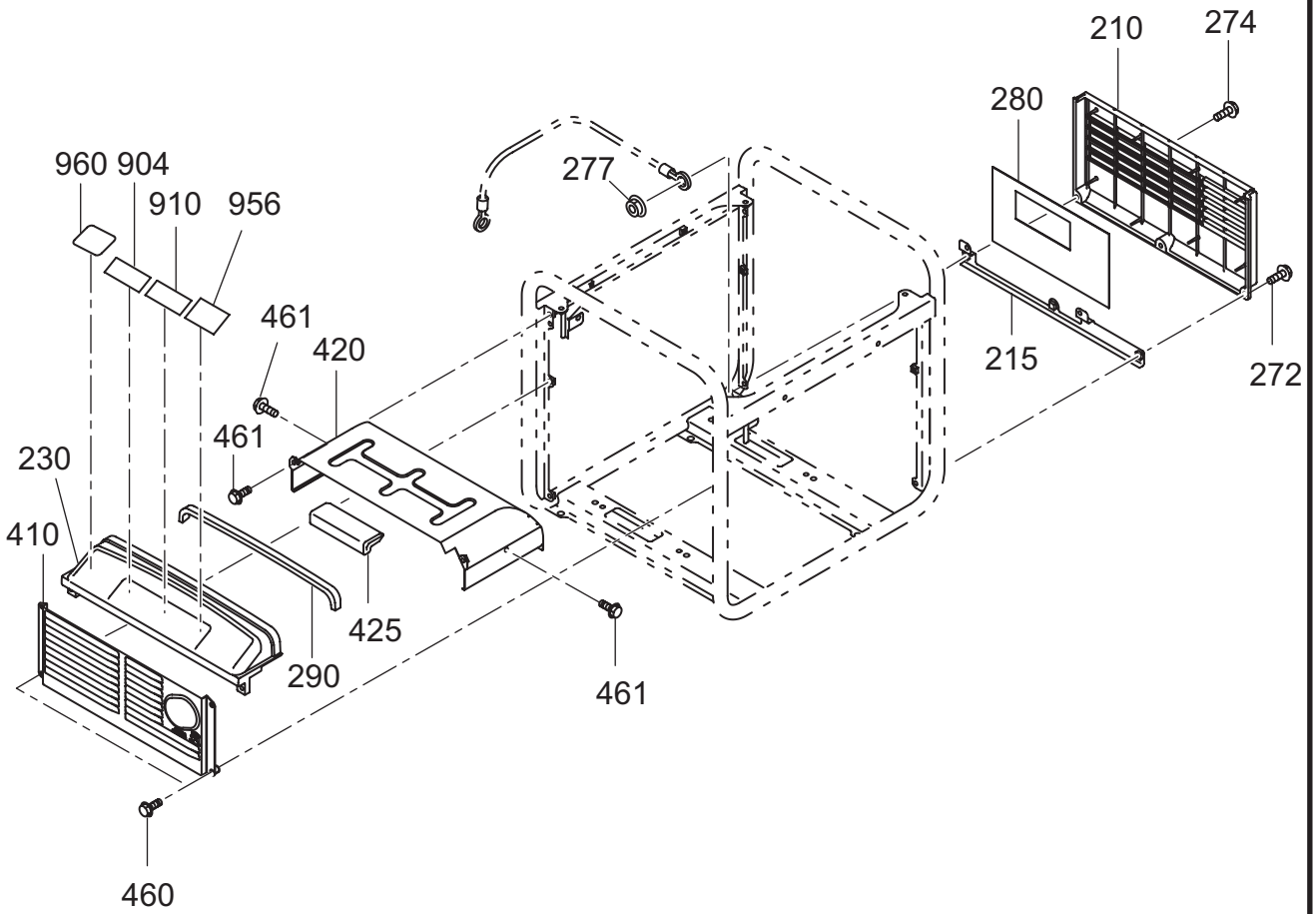


FIG. 2600

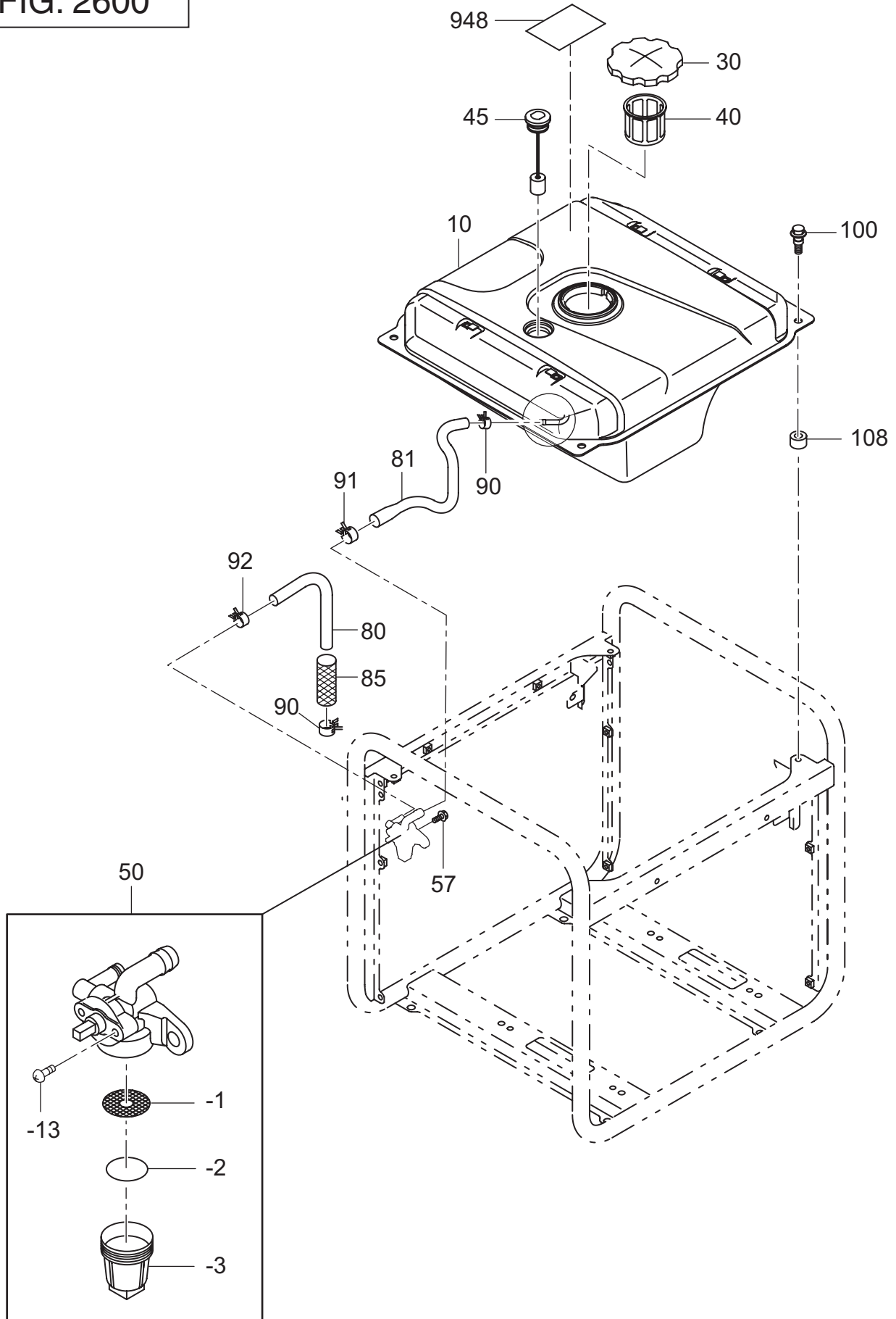


FIG. 2900

