



PARTS CATALOG

Robin

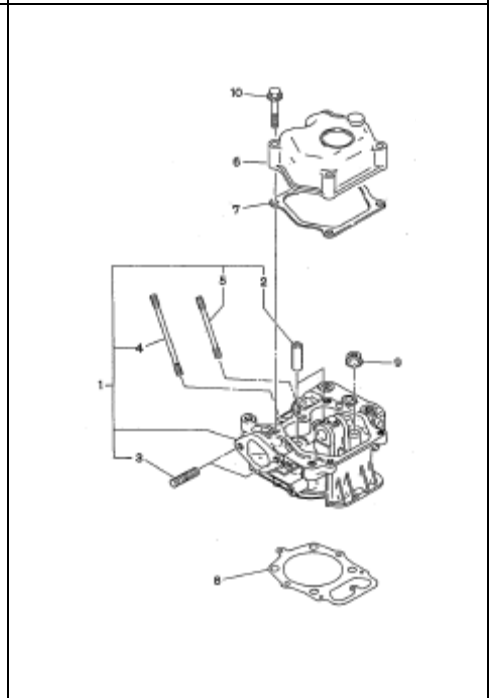
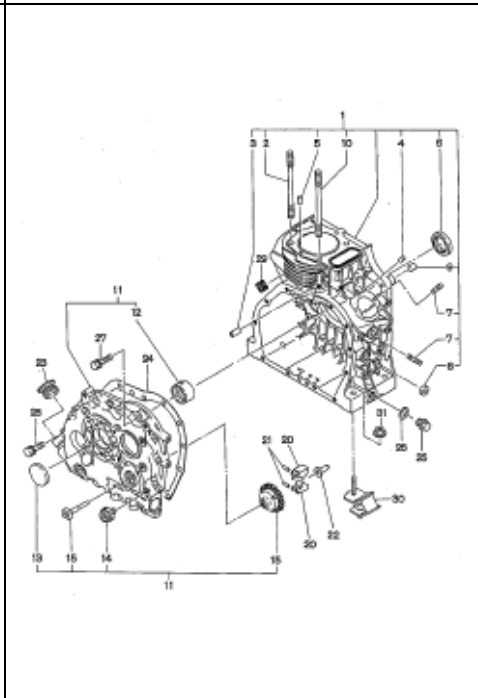
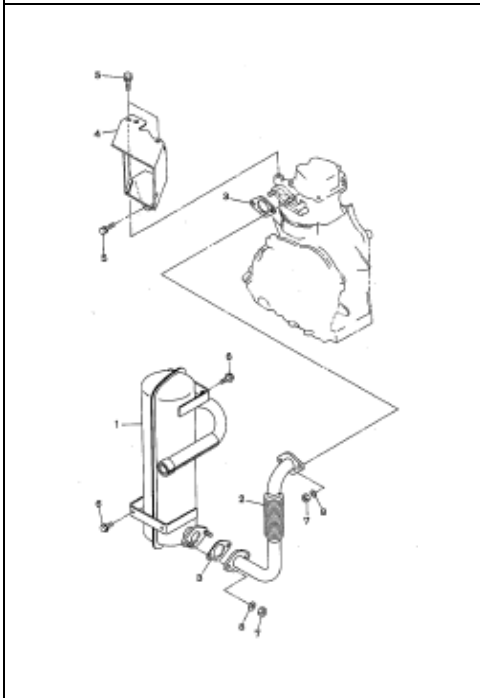
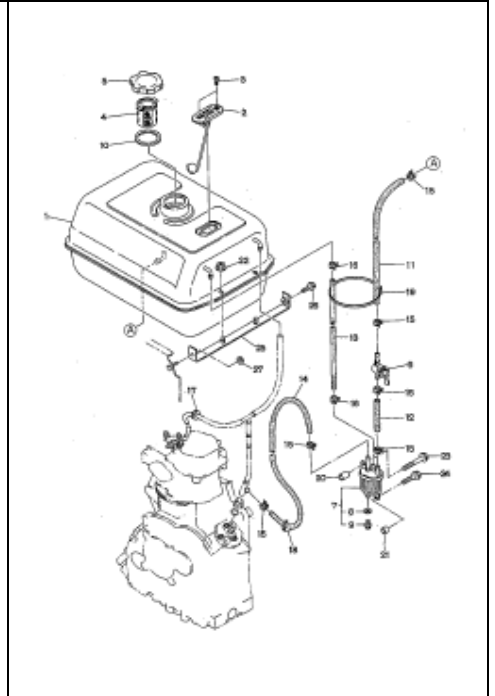
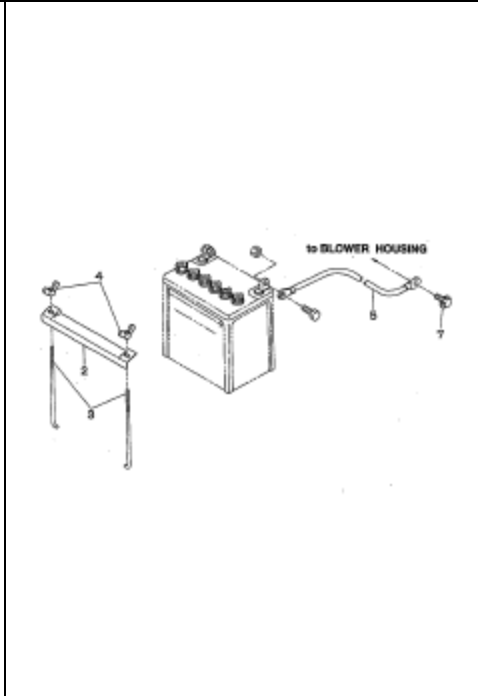
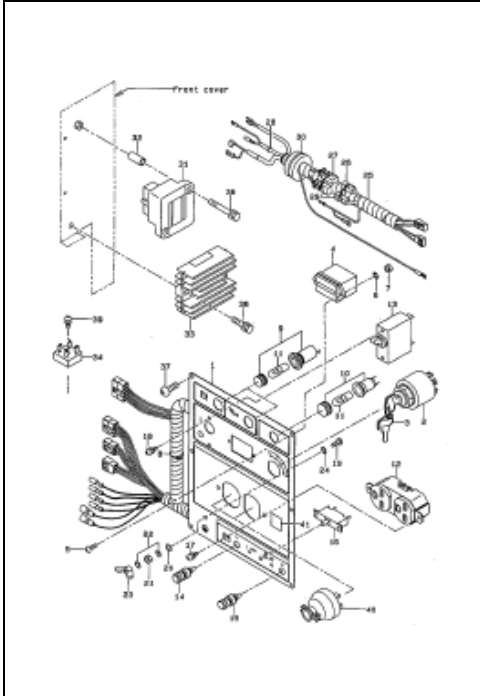
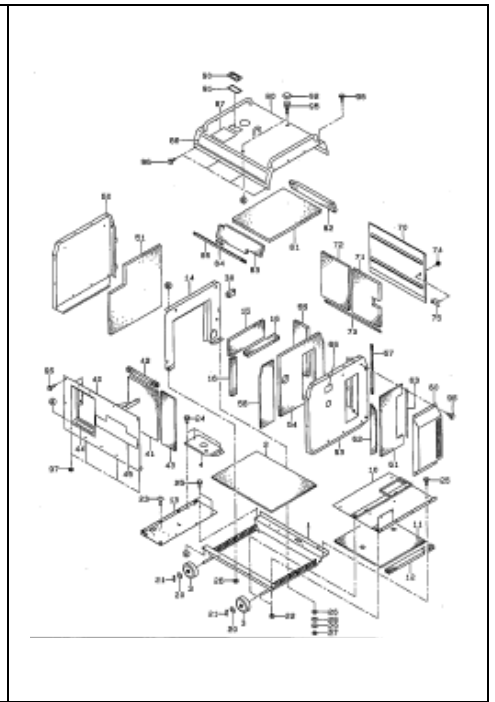
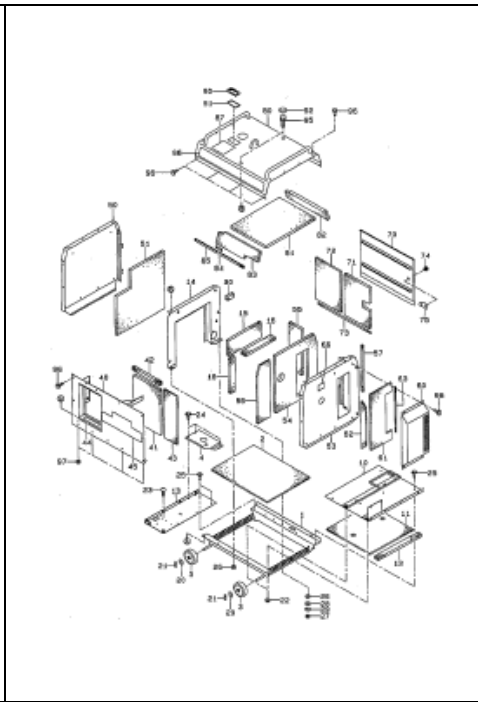
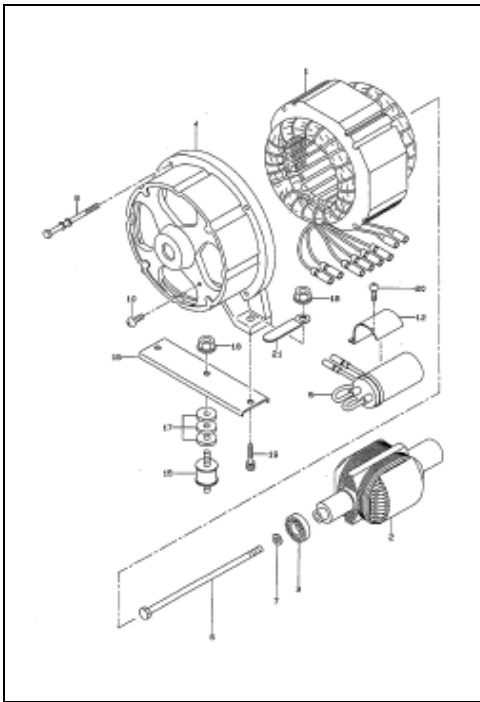
Generator

Model

RGD2500S-II

 **FUJI HEAVY INDUSTRIES LTD.**

ISSUE EMD-GP1066



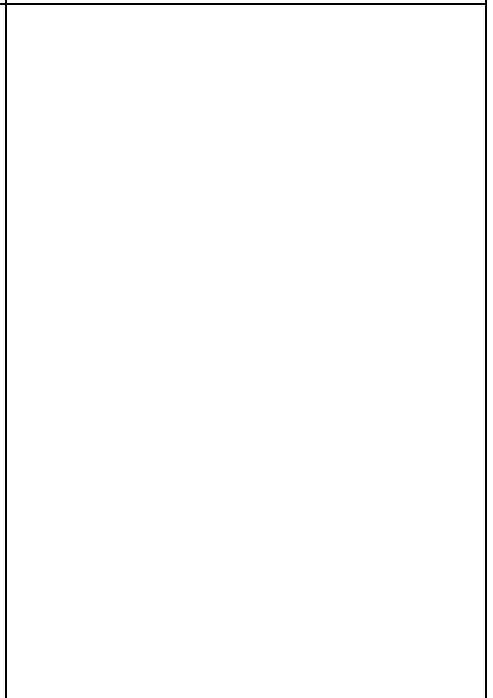
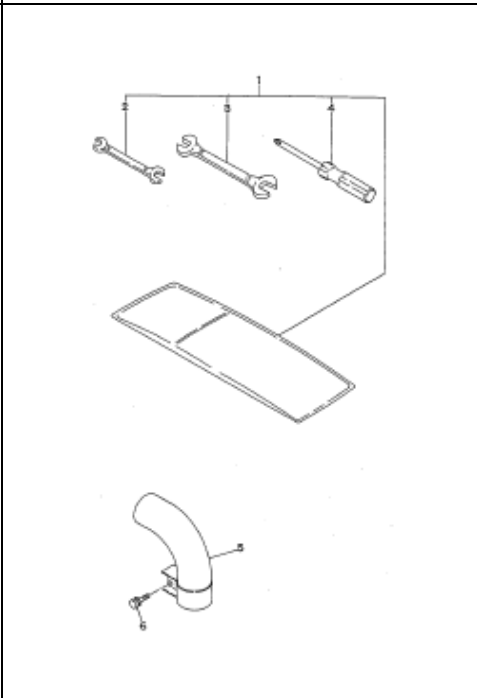
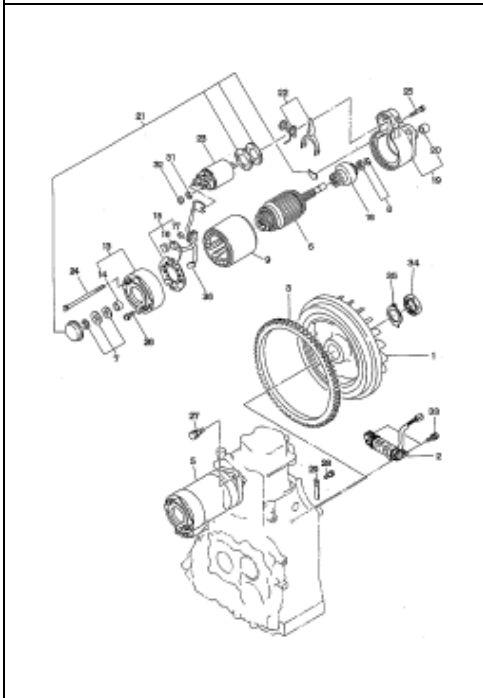
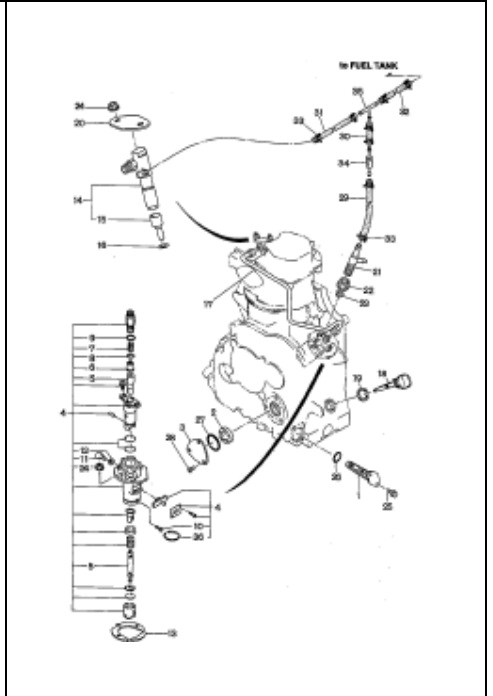
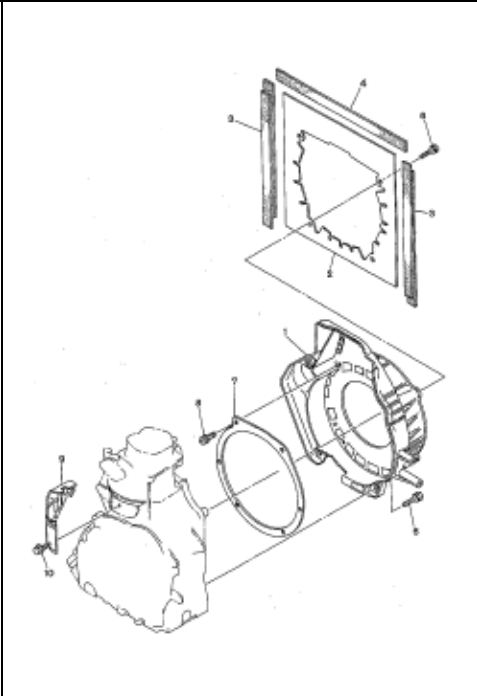
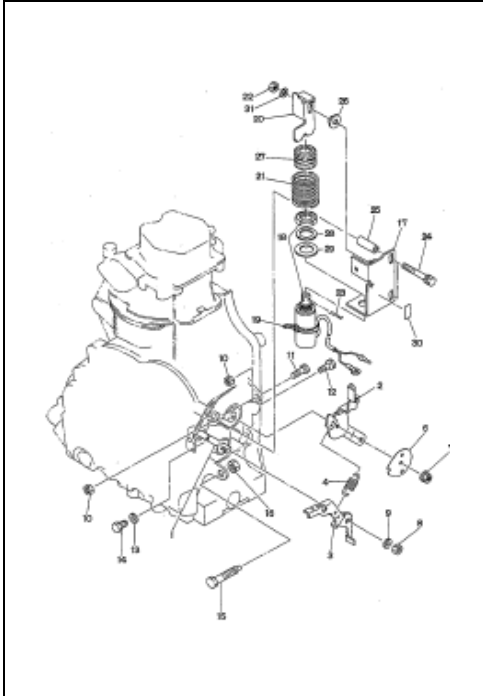
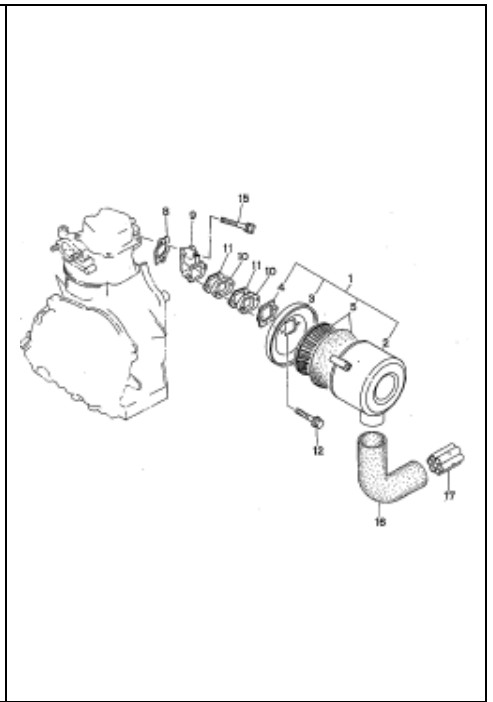
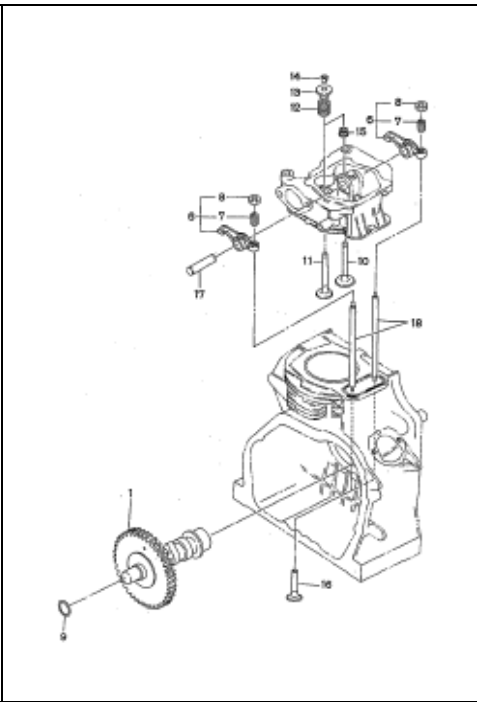
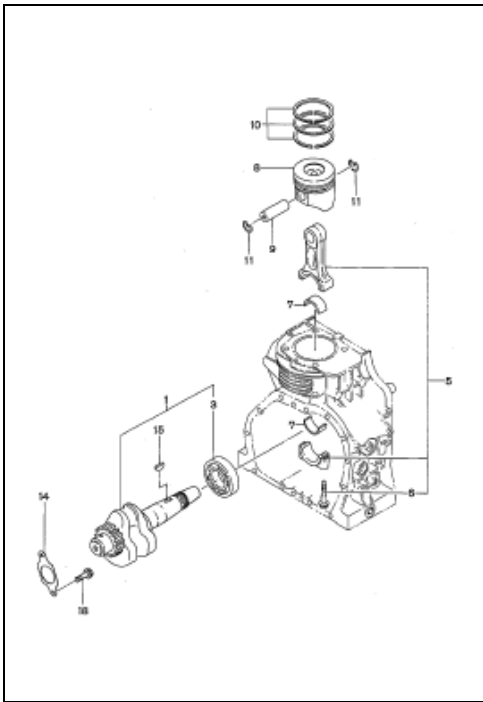


FIG. 1 GENERATOR

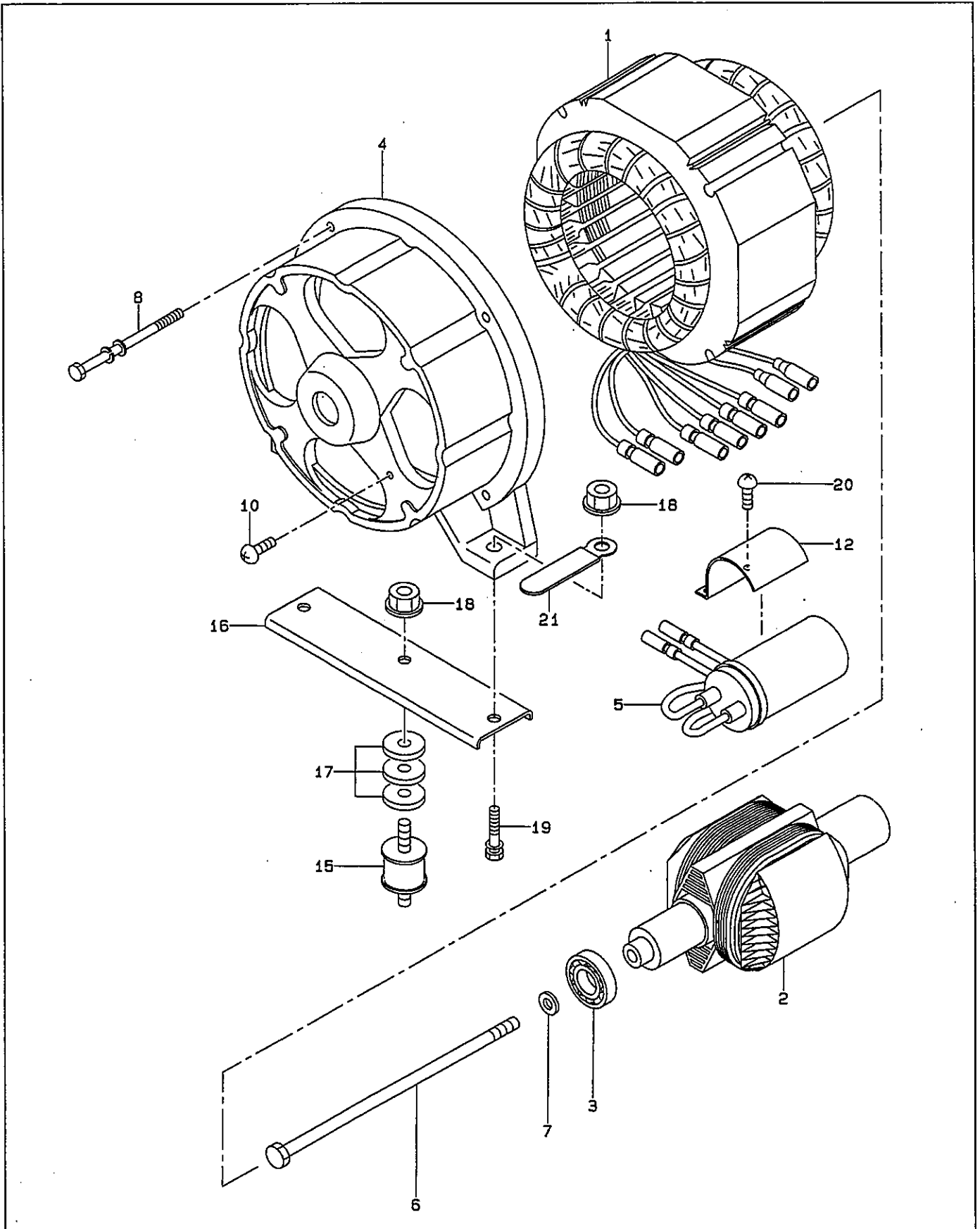


FIG. 2 COVER

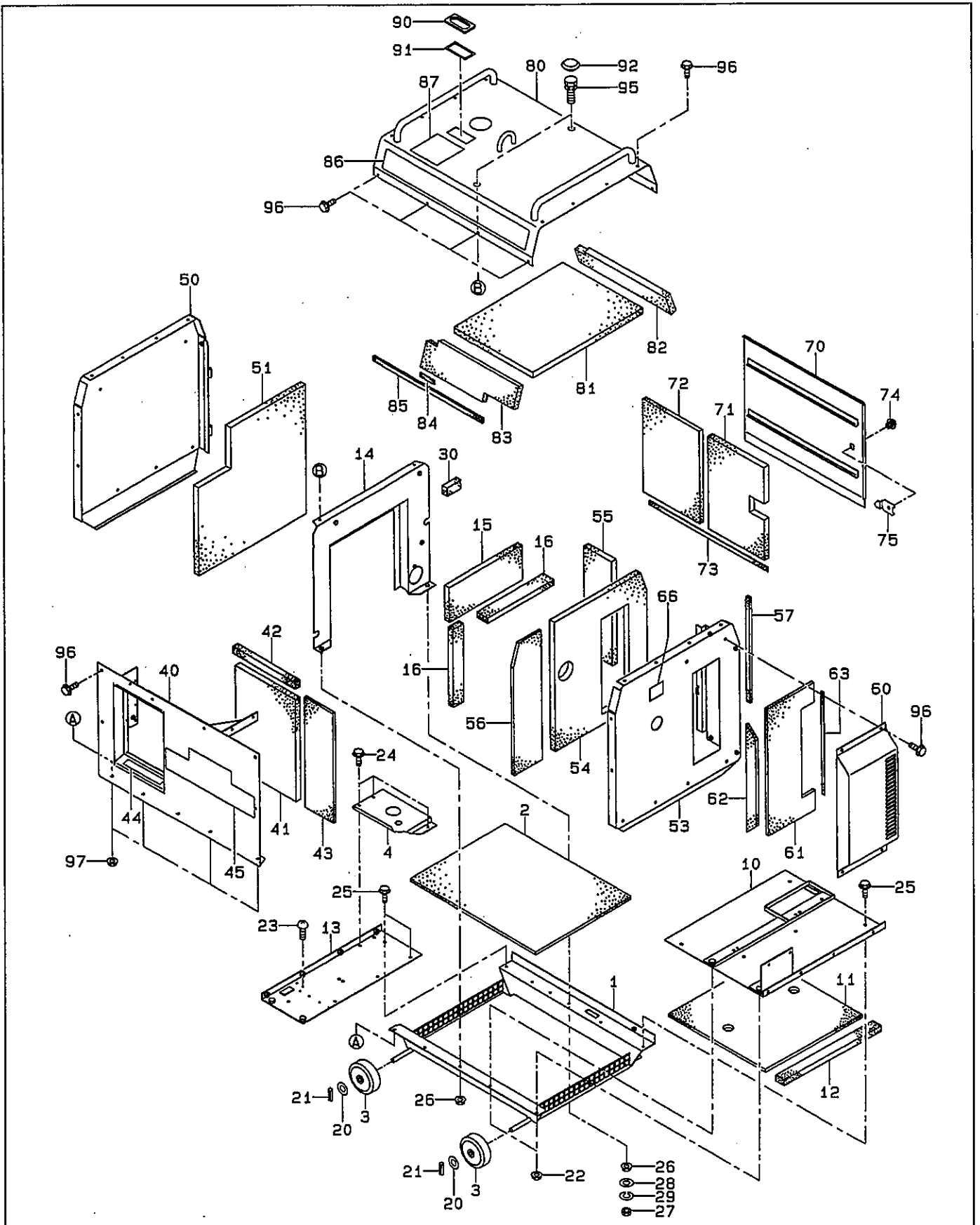


FIG. 2 COVER

┌ Interchangeability

Ref. No.	Parts Number	Description	Q'ty	Execution
* 1	393 - 31122 - 01	BASE FRAME 3 (black), compl. (Color : BLACK) Includes item 2	1	
2	393 - 55901 - 03	SPONGE (400 × 525 × 10)	1	
3	393 - 30602 - 01	WHEEL, compl.	4	
4	393 - 34101 - 13	BASE (battery)	1	
*10	393 - 33201 - 01	BASE PLATE, compl. Includes items 11 and 12	1	
11	393 - 55902 - 03	SPONGE (400 × 400 × 10)	1	
12	393 - 55903 - 03	SPONGE (34 × 400 × 20)	1	
13	393 - 32301 - 11	BASE PLATE 2, compl.	1	
*14	393 - 34515 - 01	SEPARATOR COVER, compl. Includes items 15 and 16	1	
15	393 - 55904 - 03	SPONGE (125 × 310 × 20)	1	
16	393 - 56078 - 03	SPONGE (center cover) 11	2	
20	003 - 11120 - 00	WASHER	4	
21	005 - 19032 - 00	SPRING PIN	4	
22	002 - 38080 - 00	FLANGE NUT	2	
23	004 - 31041 - 00	SCREW	1	
24	011 - 00602 - 80	FLANGE BOLT	3	
25	001 - 04081 - 60	FLANGE BOLT	4	
26	002 - 38060 - 00	FLANGE NUT	2	
27	002 - 17060 - 00	NUT	1	
28	003 - 10060 - 00	WASHER	1	
29	003 - 20060 - 00	SPRING WASHER	1	
30	393 - 55905 - 03	SPONGE (30 × 60 × 20)	1	
*40	393 - 50201 - 01	FRONT COVER 2 (gray), compl. (Color : GRAY) Includes items 41 thru 43	1	
41	393 - 55906 - 03	SPONGE (250 × 370 × 20)	1	
42	393 - 55907 - 03	SPONGE (25 × 260 × 20)	1	
43	393 - 55908 - 03	SPONGE (120 × 400 × 10)	1	
44	393 - 91013 - 03	LABEL (SPEC)	1	
45	393 - 90102 - 03	LABEL (trade mark)	1	
*50	393 - 51201 - 01	SIDE COVER (gray - L), compl. (Color : GRAY) Includes item 51	1	
51	393 - 55909 - 03	SPONGE (450 × 470 × 20)	1	
*53	393 - 52201 - 01	SIDE COVER (gray - R), compl. (Color : GRAY) Includes items 54 thru 57	1	
54	393 - 55910 - 03	SPONGE (385 × 465 × 20)	1	
55	393 - 55911 - 03	SPONGE (115 × 375 × 20)	1	
56	393 - 55912 - 03	SPONGE (120 × 465 × 10)	1	
57	393 - 55913 - 03	SPONGE (15 × 375 × 10)	1	
*60	393 - 52251 - 01	SHROUD (grey), compl. (Color : GRAY) Includes items 61 thru 63	1	
61	393 - 55914 - 03	SPONGE (195 × 458 × 10)	1	
62	393 - 55915 - 03	SPONGE (40 × 390 × 10)	1	
63	393 - 55916 - 03	SPONGE (10 × 370 × 3)	1	

FIG. 2 COVER

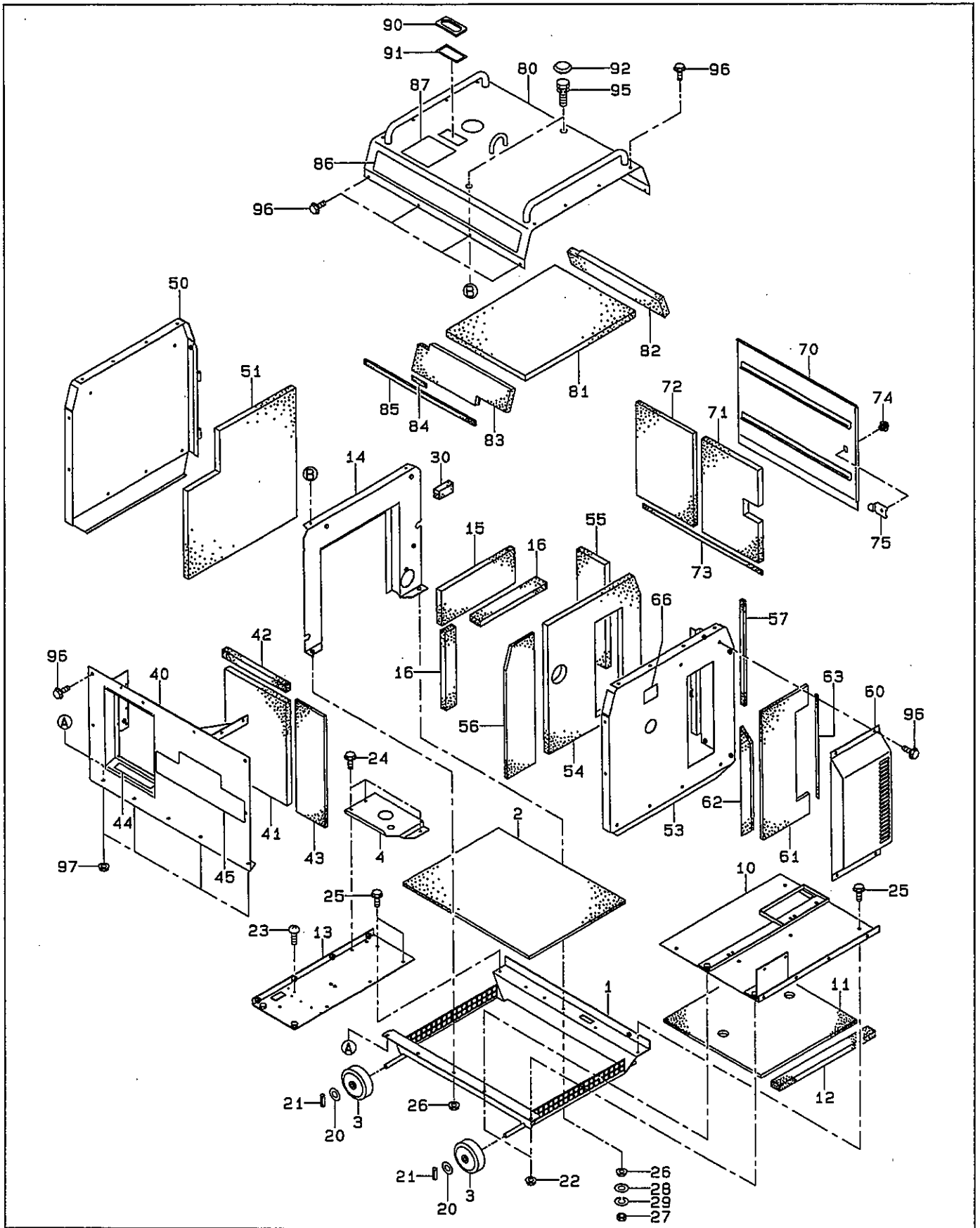


FIG. 2 COVER

↖ Interchangeability

Ref. No.	Parts Number	Description	Q'ty	Execution
66	073 - 20045 - 00	LABEL, HOT and GAS	1	
*70	393 - 53401 - 01	DOOR 2 (grey), compl. (Color : GRAY) Includes items 71 thru 73	1	
71	393 - 55917 - 03	SPONGE (230 × 335 × 20)	1	
72	393 - 55918 - 03	SPONGE (235 × 335 × 15)	1	
73	393 - 55919 - 03	SPONGE (15 × 490 × 3)	1	
74	393 - 53551 - 03	LOCK HANDLE	1	
75	393 - 53552 - 03	STOPPER PLATE	1	
*80	393 - 54001 - 01	TOP COVER 2 (K, Y), compl. (Color : YELLOW) Includes items 81 thru 85	1	
81	393 - 55920 - 03	SPONGE (330 × 460 × 20)	1	
82	393 - 55921 - 03	SPONGE (75 × 380 × 20)	1	
83	393 - 55922 - 03	SPONGE (105 × 380 × 20)	1	
84	393 - 55923 - 03	SPONGE (15 × 60 × 3)	1	
85	393 - 55924 - 03	SPONGE (15 × 462 × 7)	1	
86	393 - 90906 - 03	LABEL (ROBIN GEN.)	1	
87	073 - 20048 - 50	LABEL (CE caution)	1	
90	024 - 14000 - 20	GROMMET	1	
91	393 - 55002 - 03	SEAL (gauge)	1	
92	393 - 55003 - 03	FASTENER CAP	2	
95	001 - 14064 - 00	BOLT and WASHER ASS'Y	2	
96	011 - 00602 - 80	FLANGE BOLT	24	
97	002 - 38080 - 00	FLANGE NUT	4	

FIG. 3 CONTROL PANEL (50Hz-220V)

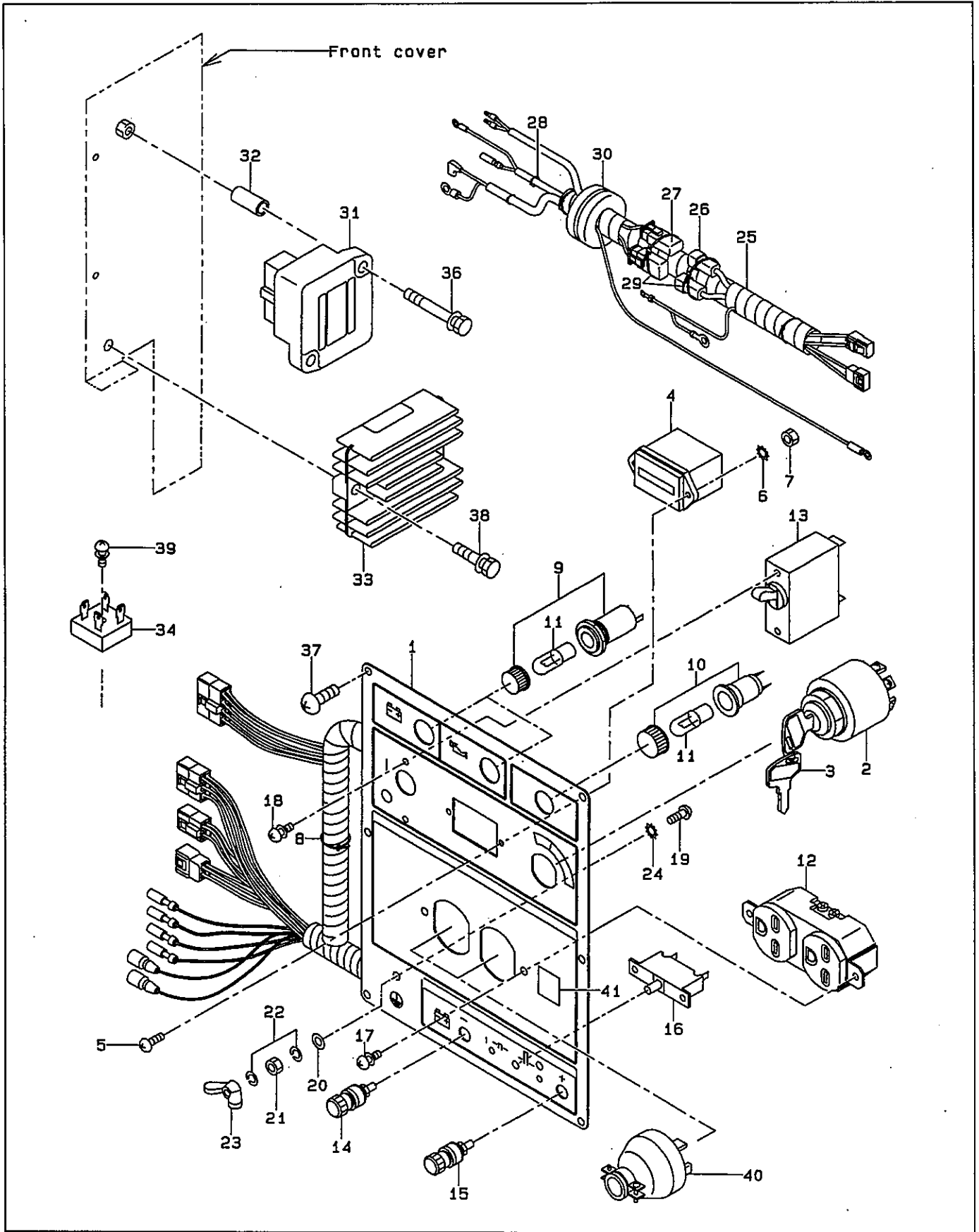


FIG. 3 CONTROL PANEL (50Hz-220V)

Interchangeability

Ref. No.	Parts Number	Description	Q'ty	Execution
* 1	393 - 40172 - 00	CONTROL PANEL ASS'Y Includes items 1 thru 24	1	
* 2	066 - 00003 - 30	SWITCH Includes item 3	1	
3	066 - 00099 - 80	KEY	2	
* 4	393 - 40650 - 08	HOUR METER Includes items 5 thru 7	1	
5	004 - 31031 - 00	SCREW (pan head)	2	
6	003 - 30030 - 00	LOCK WASHER	2	
7	002 - 17030 - 00	NUT	2	
8	056 - 30000 - 70	WIRE BAND	1	
* 9	393 - 43101 - 01	PILOT LAMP (red), compl. Includes item 11	2	
* 10	393 - 43102 - 01	NEON LAMP (green) Includes item 11	1	
11	393 - 45006 - 01	LAMP (18V - 0.11A)	3	
12	378 - 45736 - 08	AC RECEPTACLE (250V - 15A x 2)	1	
13	391 - 43001 - 03	CIRCUIT BREAKER	1	
14	363 - 45700 - 08	TERMINAL BOLT (Color : BLACK)	1	
15	363 - 45701 - 08	TERMINAL BOLT (Color : RED)	1	
16	352 - 45620 - 08	CIRCUIT BREAKER (10A)	1	
17	004 - 35041 - 00	SCREW and WASHER ASS'Y	2	
18	004 - 35030 - 60	SCREW and WASHER ASS'Y	2	
19	388 - 88001 - 03	SCREW (M5)	1	
20	353 - 49903 - 08	WASHER	1	
21	353 - 49902 - 08	NUT (M5)	1	
22	332 - 00050 - 08	SPRING WASHER	2	
23	353 - 49901 - 08	WING NUT	1	
24	003 - 30050 - 00	LOCK WASHER	1	
* 25	393 - 40807 - 11	WIRE HARNESS 2, compl. Includes items 26 thru 29	1	
26	393 - 45007 - 01	DIODE	2	
27	393 - 45008 - 01	RELAY 2	2	
28	056 - 30000 - 70	WIRE BAND	7	
29	056 - 30000 - 50	WIRE BAND	2	
30	024 - 11200 - 40	GROMMET (12 - 19), compl.	1	
31	KU3 - 11046 - 01	MULTI CONTROLLER, compl.	1	
32	023 - 00603 - 30	SPACER	1	
33	246 - 71901 - 01	REGULATOR, compl.	1	
34	353 - 45804 - 08	DIODE STACK	1	
36	001 - 14063 - 50	BOLT and WASHER ASS'Y	1	
37	014 - 00400 - 80	SCREW (pan head)	6	
38	001 - 14062 - 50	BOLT and WASHER ASS'Y	1	
39	004 - 36042 - 00	SCREW and WASHER ASS'Y	1	
40	358 - 95001 - 03	PLUG (15A - 250V)	2	
41	073 - 20044 - 90	LABEL (ELEC. SHOCK)	1	

FIG. 4 BATTERY

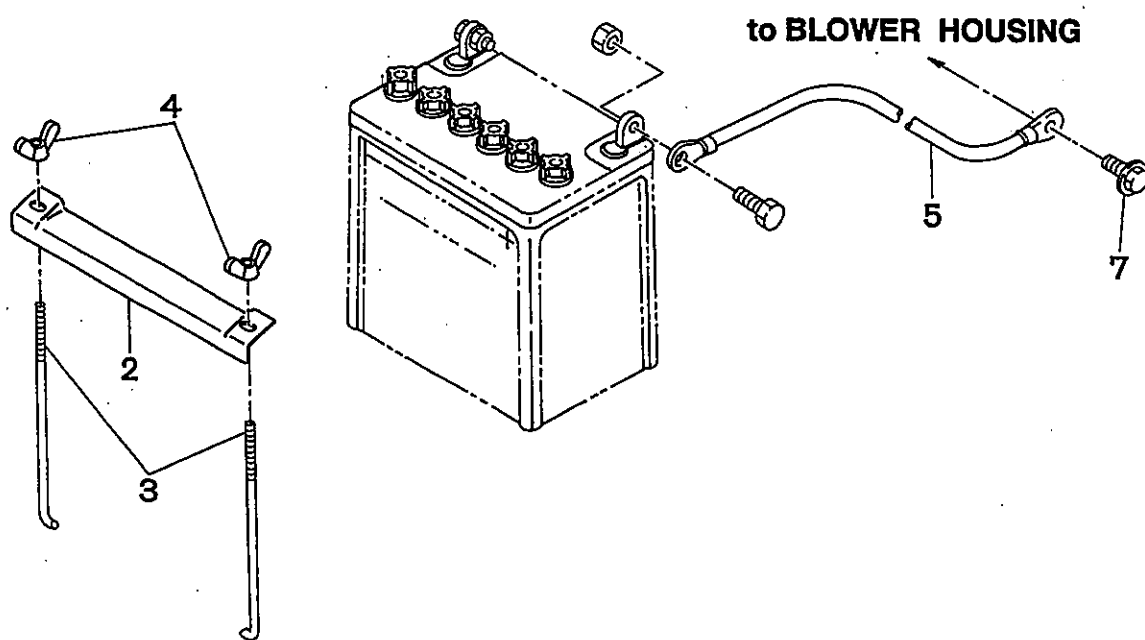


FIG. 5 FUEL TANK

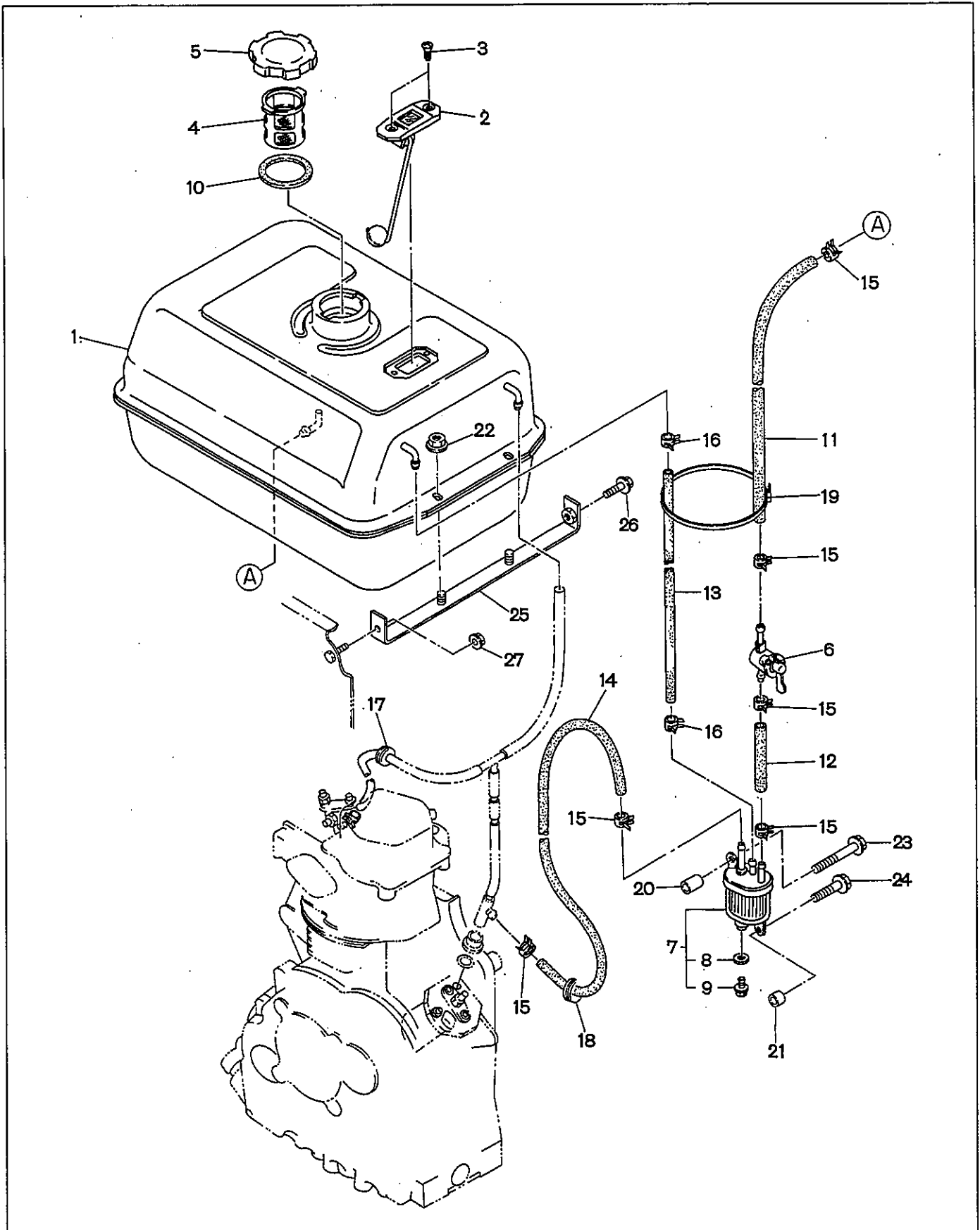


FIG. 5 FUEL TANK

f Interchangeability

Ref. No.	Parts Number	Description	Q'ty	Execution
1	393 - 60111 - 01	FUEL TANK, compl. (Color : BLACK)	1	
2	064 - 80009 - 00	FUEL GAUGE, compl.	1	
3	014 - 50500 - 40	SCREW (counter head)	2	
4	064 - 13600 - 30	FUEL FILTER	1	
5	043 - 04300 - 15	FUEL TANK CAP, compl.	1	
6	235 - 64601 - 20	FUEL COCK ASS'Y	1	
* 7	243 - 62101 - 20	FUEL FILTER ASS'Y Includes items 8 and 9	1	
8	228 - 62112 - 08	PACKING	1	
9	228 - 62111 - 08	PLUG	1	
10	393 - 55925 - 03	SPONGE (filter)	1	
11	085 - 10600 - 00	RUBBER PIPE ($\phi 6 \times \phi 12 \times 130\text{mm}$)	1	
12	085 - 10600 - 00	RUBBER PIPE ($\phi 6 \times \phi 12 \times 35\text{mm}$)	1	
13	085 - 10400 - 00	RUBBER PIPE ($\phi 4.5 \times \phi 9 \times 340\text{mm}$)	1	
14	085 - 10600 - 00	RUBBER PIPE ($\phi 6 \times \phi 12 \times 300\text{mm}$)	1	
15	056 - 11100 - 20	HOSE CLAMP	6	
16	056 - 10800 - 10	HOSE CLAMP	2	
17	024 - 11200 - 30	GROMMET (12 - 19)	1	
18	024 - 11001 - 20	GROMMET (10 - 16)	1	
19	056 - 30000 - 40	WIRE BAND	1	
20	023 - 00601 - 30	SPACER	1	
21	023 - 00603 - 40	SPACER	1	
22	002 - 38080 - 00	FLANGE NUT	4	
23	011 - 00601 - 70	FLANGE BOLT	1	
24	011 - 00601 - 30	FLANGE BOLT	1	
25	393 - 55001 - 01	TANK BRACKET, compl.	2	
26	011 - 00602 - 80	FLANGE BOLT	2	
27	002 - 38060 - 00	FLANGE NUT	2	

FIG. 6 MUFFLER

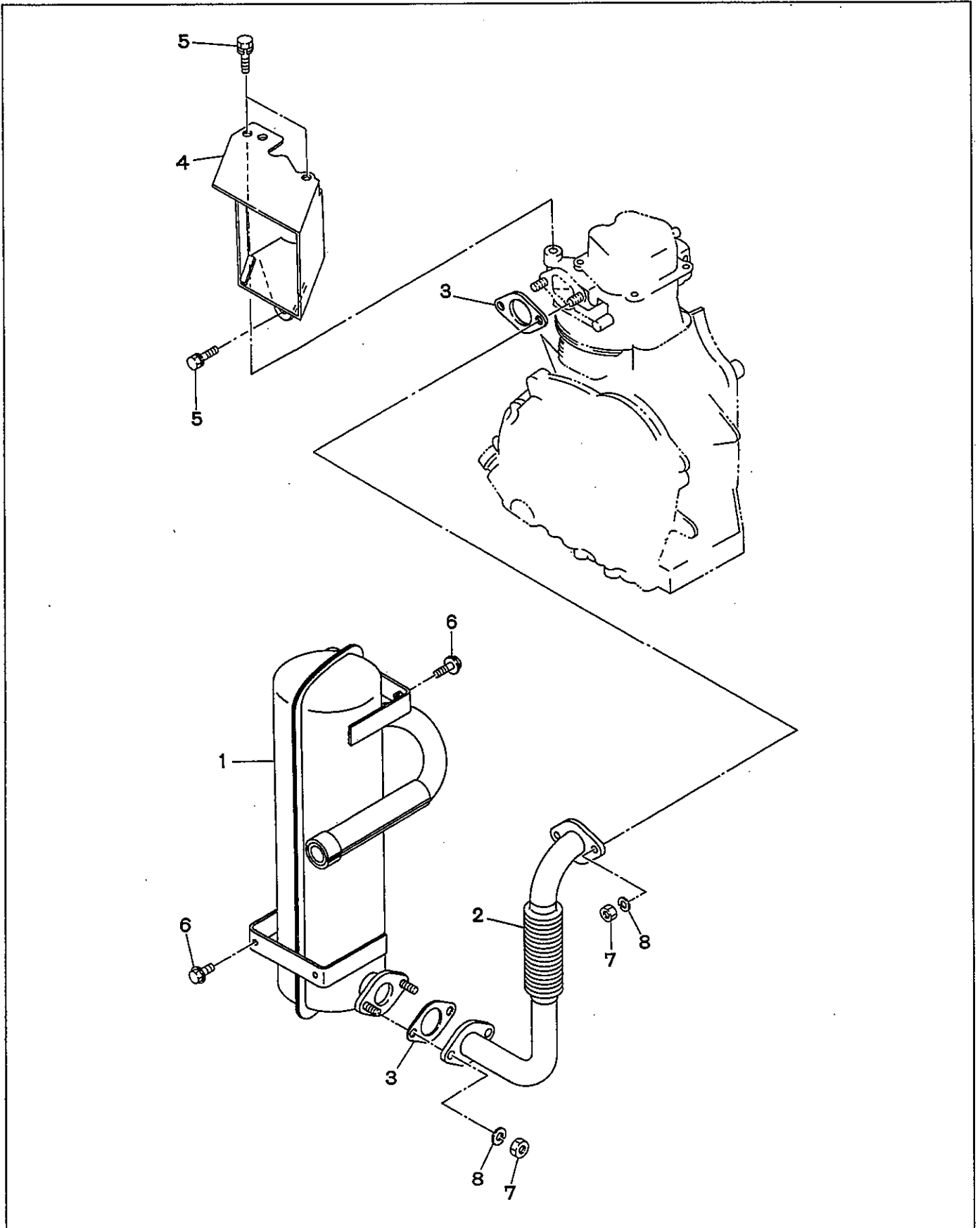


FIG. 7 CRANKCASE

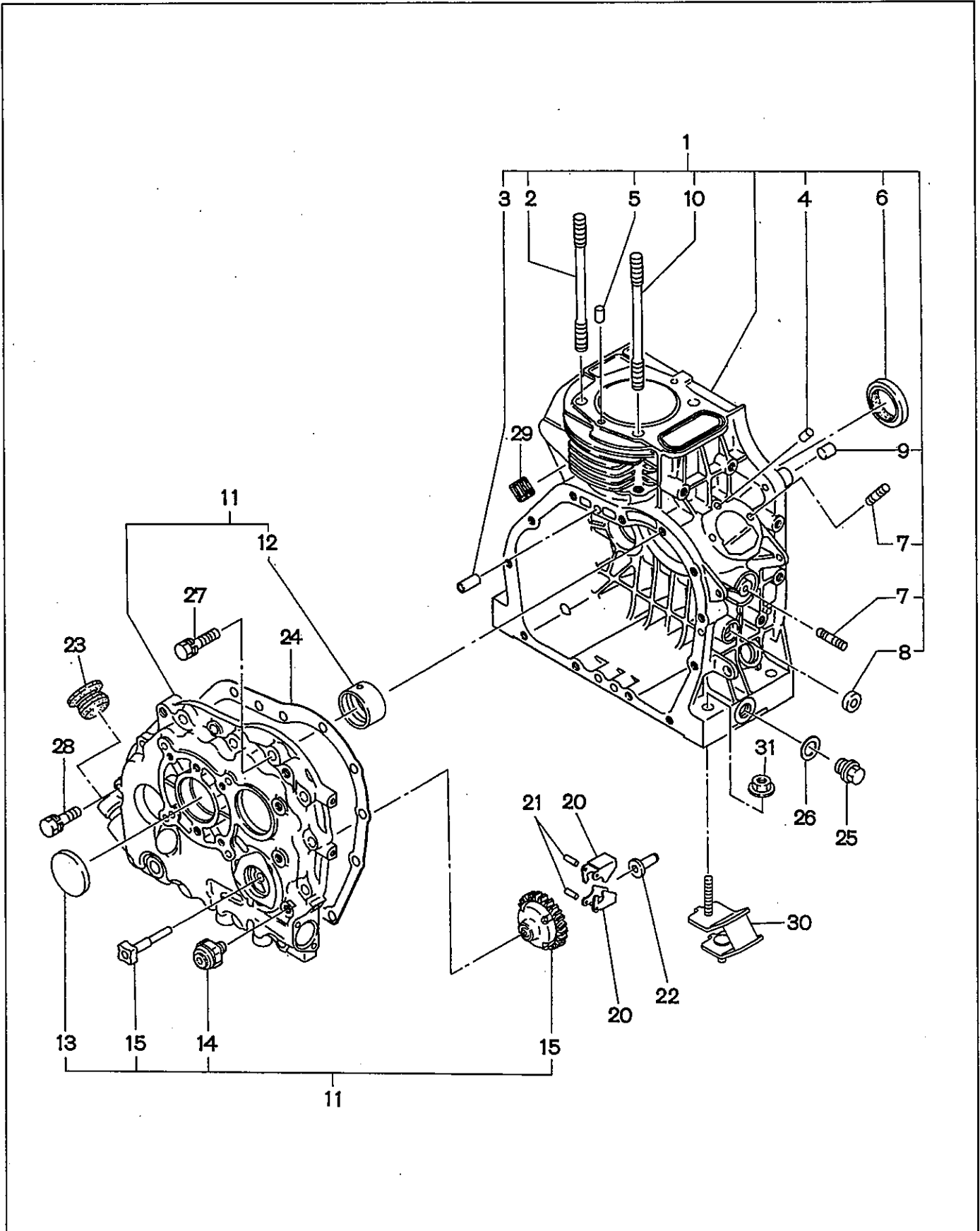


FIG. 7 CRANKCASE

└ Interchangeability

Ref. No.	Parts Number	Description	Q'ty	Execution
* 1	243 - 10110 - 31	CRANKCASE, compl. Includes items 2 thru 10	1	
2	244 - 16001 - 11	TENSION BOLT	3	
3	005 - 26081 - 80	DOWEL PIN	2	
4	031 - 00500 - 10	DOWEL PIN	1	
5	031 - 00600 - 10	DOWEL PIN	2	
6	044 - 03500 - 90	OIL SEAL	1	
7	001 - 37062 - 21	STUD	3	
8	044 - 00800 - 30	OIL SEAL	1	
9	243 - 15011 - 03	PIPE KNOCK	2	
10	244 - 16002 - 11	TENSION BOLT	1	
*11	244 - 11007 - 11	MAIN BEARING COVER, compl. Includes items 12 thru 15	1	
12	243 - 15801 - 03	MAIN BEARING (STD)	1	
12	243 - 15802 - 03	MAIN BEARING (under size 0.25mm)	1	
12	243 - 15803 - 03	MAIN BEARING (under size 0.50mm)	1	
13	041 - 04500 - 10	BLIND PLUG	1	
14	942 - 99513 - 00	SWITCH ASS'Y (oil pressure)	1	
15	243 - 45011 - 07	GOVERNOR GEAR SHAFT SET	1	
20	220 - 41601 - 03	FLYWEIGHT	2	
21	030 - 73000 - 70	PIN	2	
22	205 - 41901 - 03	GOVERNOR SLEEVE	1	
23	042 - 02200 - 10	PLUG (rubber)	1	
24	243 - 15026 - 03	GASKET (bearing cover)	1	
25	040 - 11400 - 30	PLUG	2	
26	021 - 11400 - 20	GASKET	2	
27	001 - 13083 - 50	BOLT and WASHER ASS'Y	12	
28	001 - 13084 - 00	BOLT and WASHER ASS'Y	1	
29	243 - 75001 - 03	GROMMET	1	
30	391 - 37001 - 21	MOUNT, compl.	2	
31	002 - 38080 - 00	FLANGE NUT	4	

FIG. 8 CYLINDER HEAD

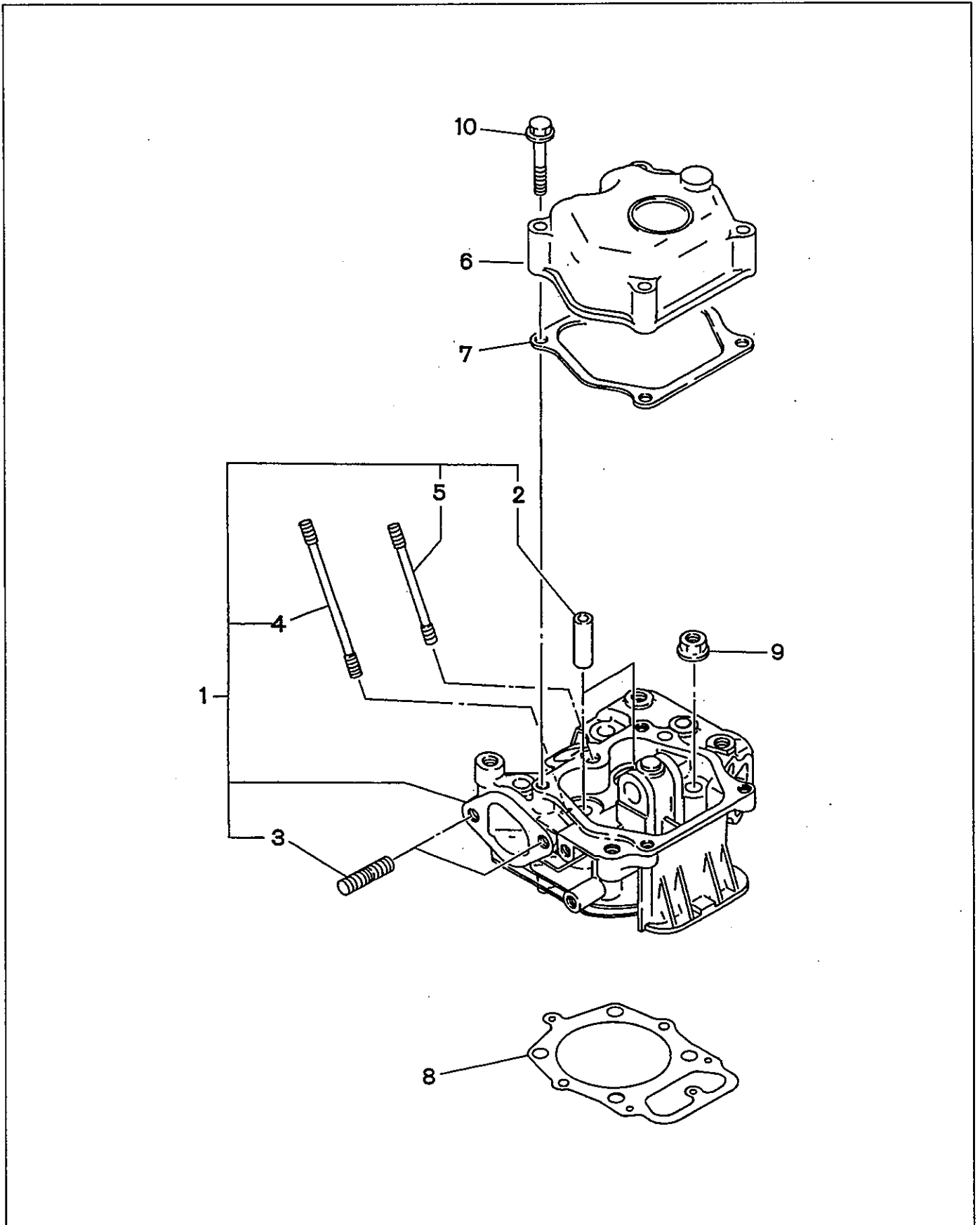


FIG. 9 CRANKSHAFT and PISTON

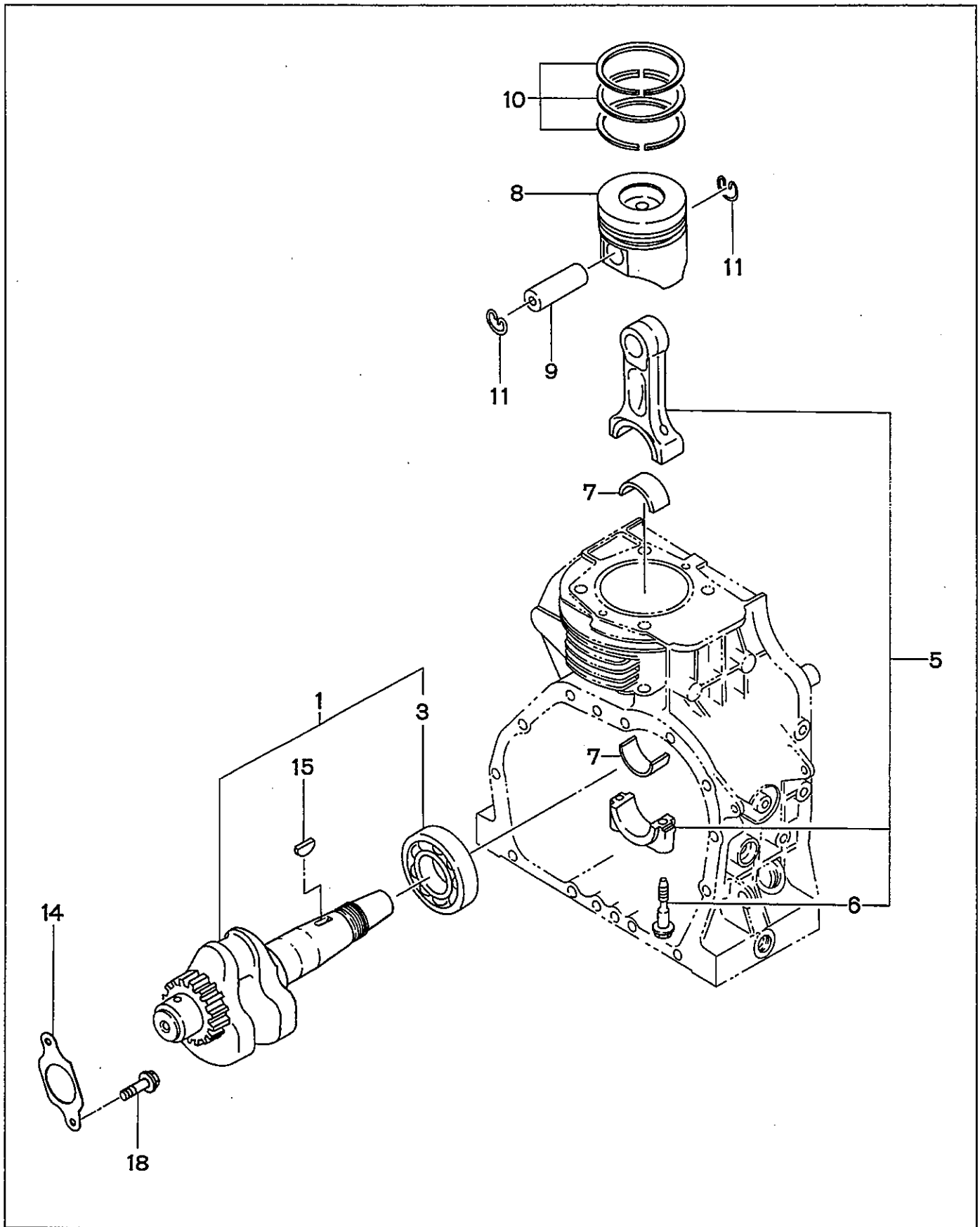


FIG. 10 CAMSHAFT and VALVE ROCKER

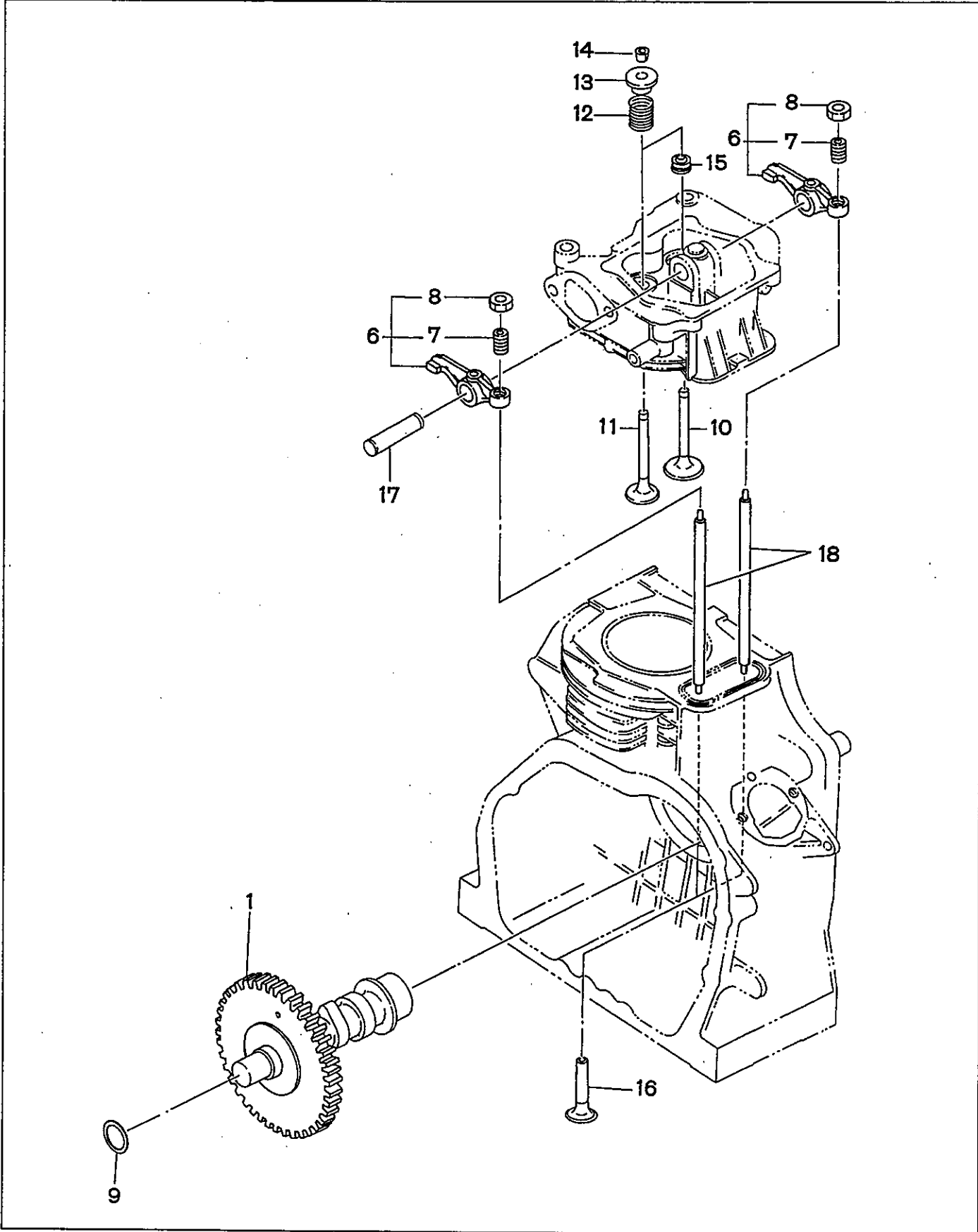


FIG. 11 AIR CLEANER

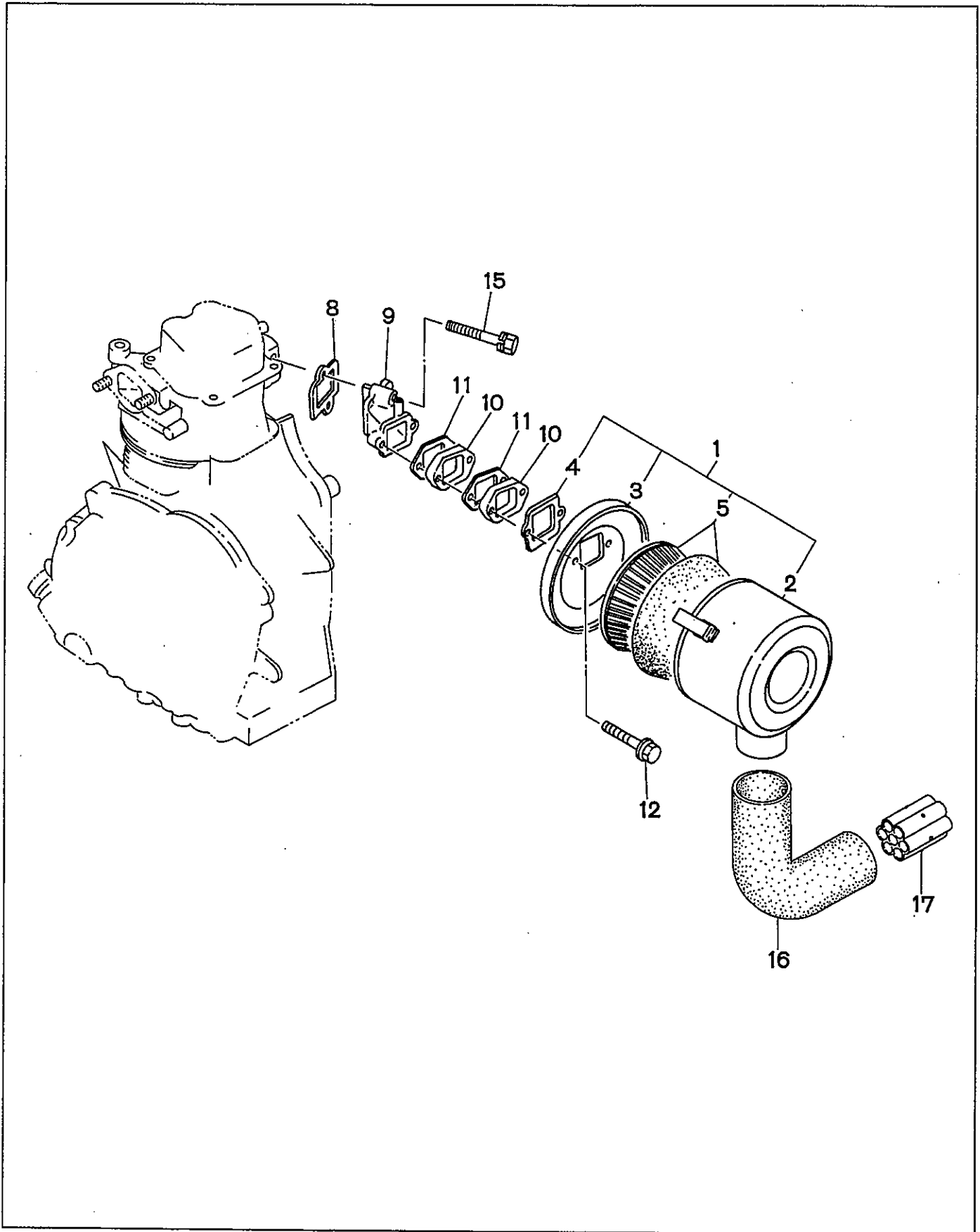


FIG. 12 GOVERNOR OPERATION

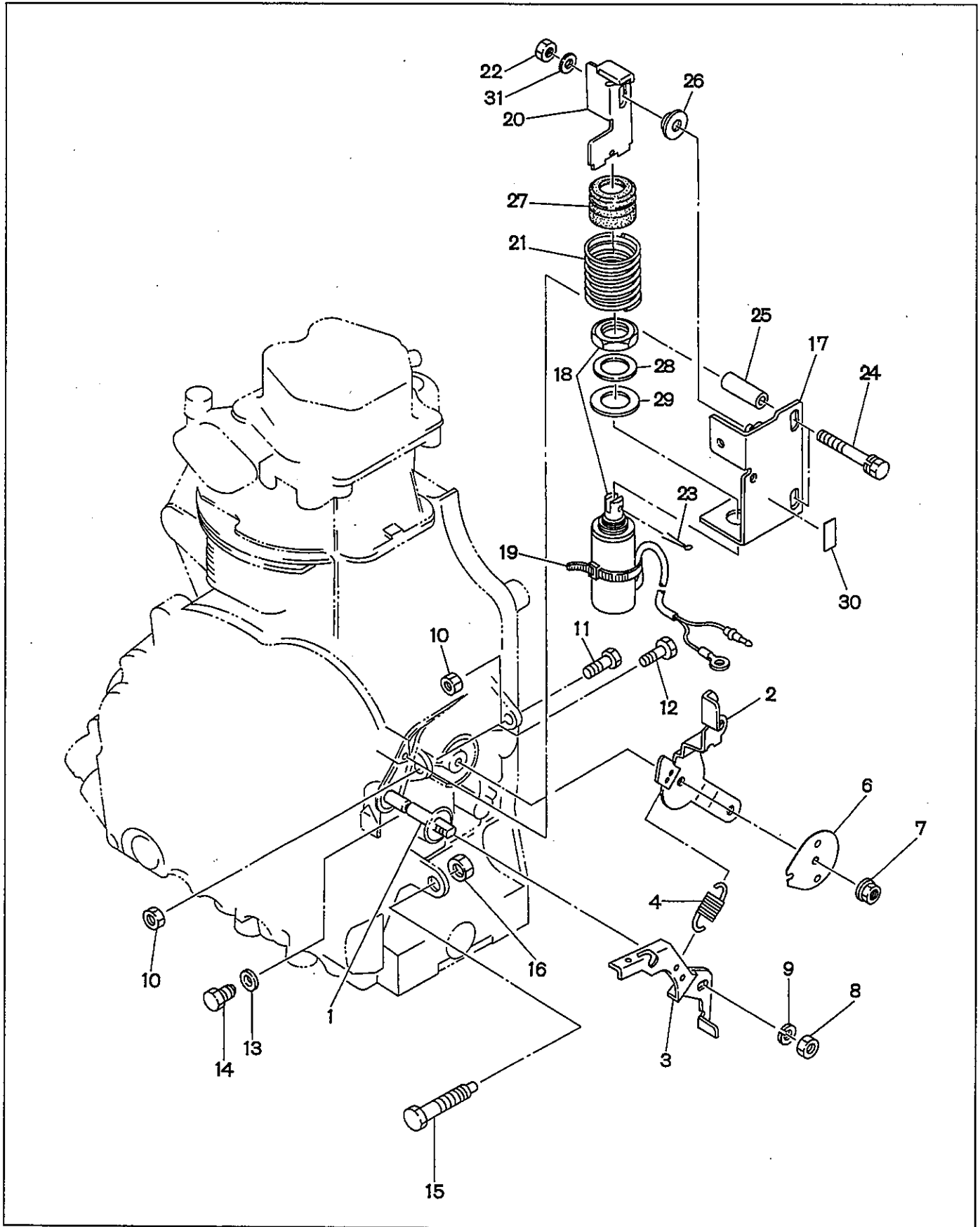


FIG. 12 GOVERNOR OPERATION

Interchangeability

Ref. No.	Parts Number	Description	Q'ty	Execution
1	243 - 42301 - 12	GOVERNOR LEVER UNIT	1	
2	243 - 43301 - 21	SPEED CONTROL	1	
3	243 - 42920 - 21	CONTROL LINK, compl.	1	
4	243 - 42502 - 03	GOVERNOR SPRING	1	
6	227 - 43501 - 13	STOP PLATE	1	
7	017 - 60600 - 30	SELF LOCK NUT	1	
8	002 - 18080 - 00	NUT	1	
9	003 - 20080 - 00	SPRING WASHER	1	
10	002 - 18060 - 00	NUT	2	
11	001 - 66063 - 00	BOLT	1	
12	243 - 45002 - 03	BOLT	1	
13	003 - 10060 - 00	WASHER	1	
14	010 - 00603 - 70	BOLT	1	
15	243 - 45501 - 10	SMOKE SET ASS'Y	1	
16	002 - 27100 - 00	NUT	1	
17	243 - 47011 - 21	BRACKET (solenoid), compl.	1	
18	243 - 75010 - 00	SOLENOID ASS'Y	1	
19	056 - 30000 - 40	WIRE BAND	1	
20	243 - 45706 - 10	STOP LEVER ASS'Y	1	
21	243 - 46003 - 03	RETURN SPRING	1	
22	017 - 60600 - 30	SELF LOCK NUT	1	
23	005 - 10301 - 50	COTTER PIN	1	
24	001 - 11064 - 50	BOLT and WASHER ASS'Y	2	
25	023 - 00602 - 71	SPACER	2	
26	023 - 00603 - 10	SPACER	1	
27	228 - 75013 - 03	BOOT (plunger)	1	
28	023 - 01800 - 50	SPACER	1	
29	023 - 01800 - 60	SPACER	1	
30	073 - 20045 - 50	LABEL (operation)	1	
31	021 - 70600 - 50	FRICTION WASHER	1	

FIG. 13 BLOWER HOUSING

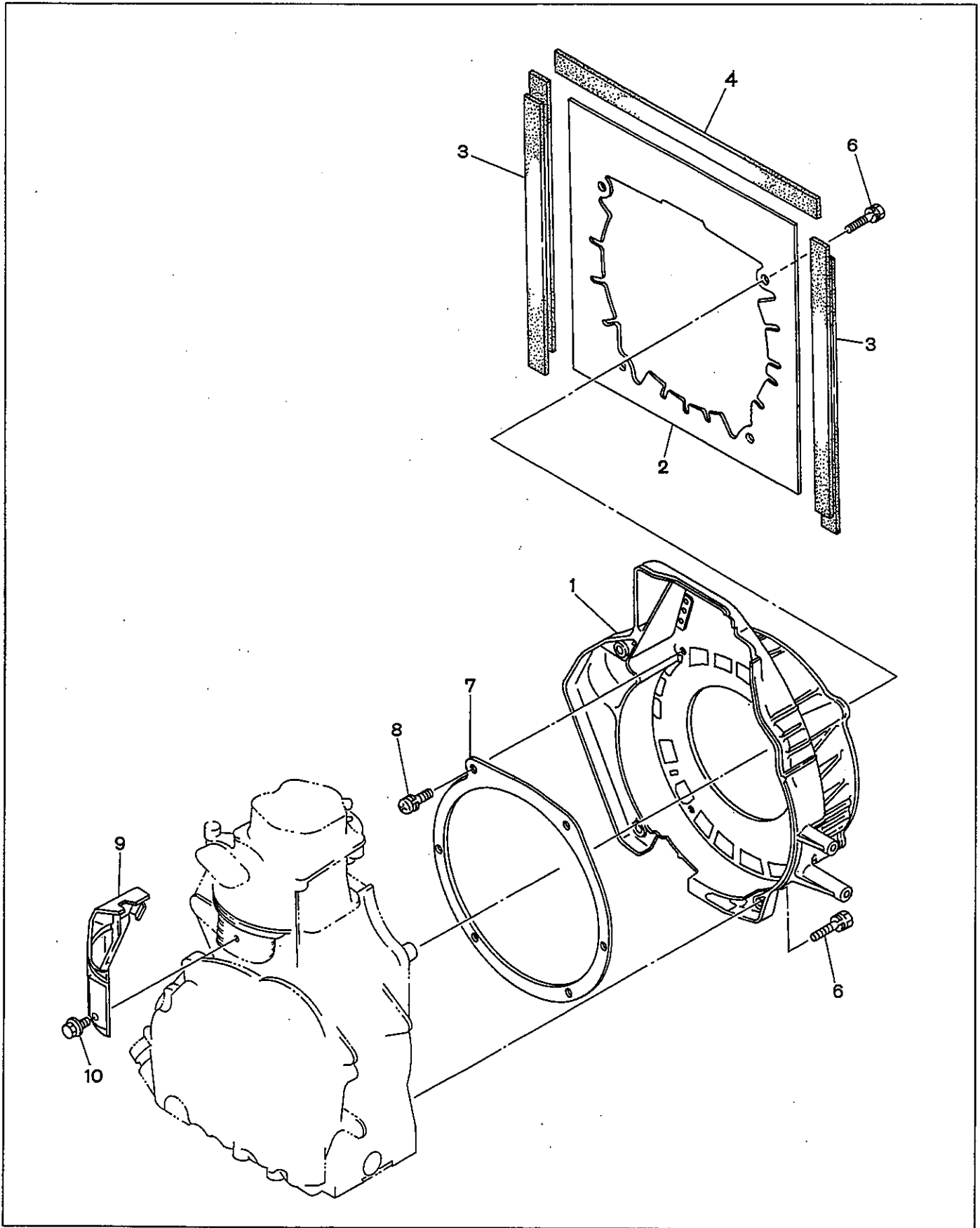


FIG. 14 FUEL SYSTEM

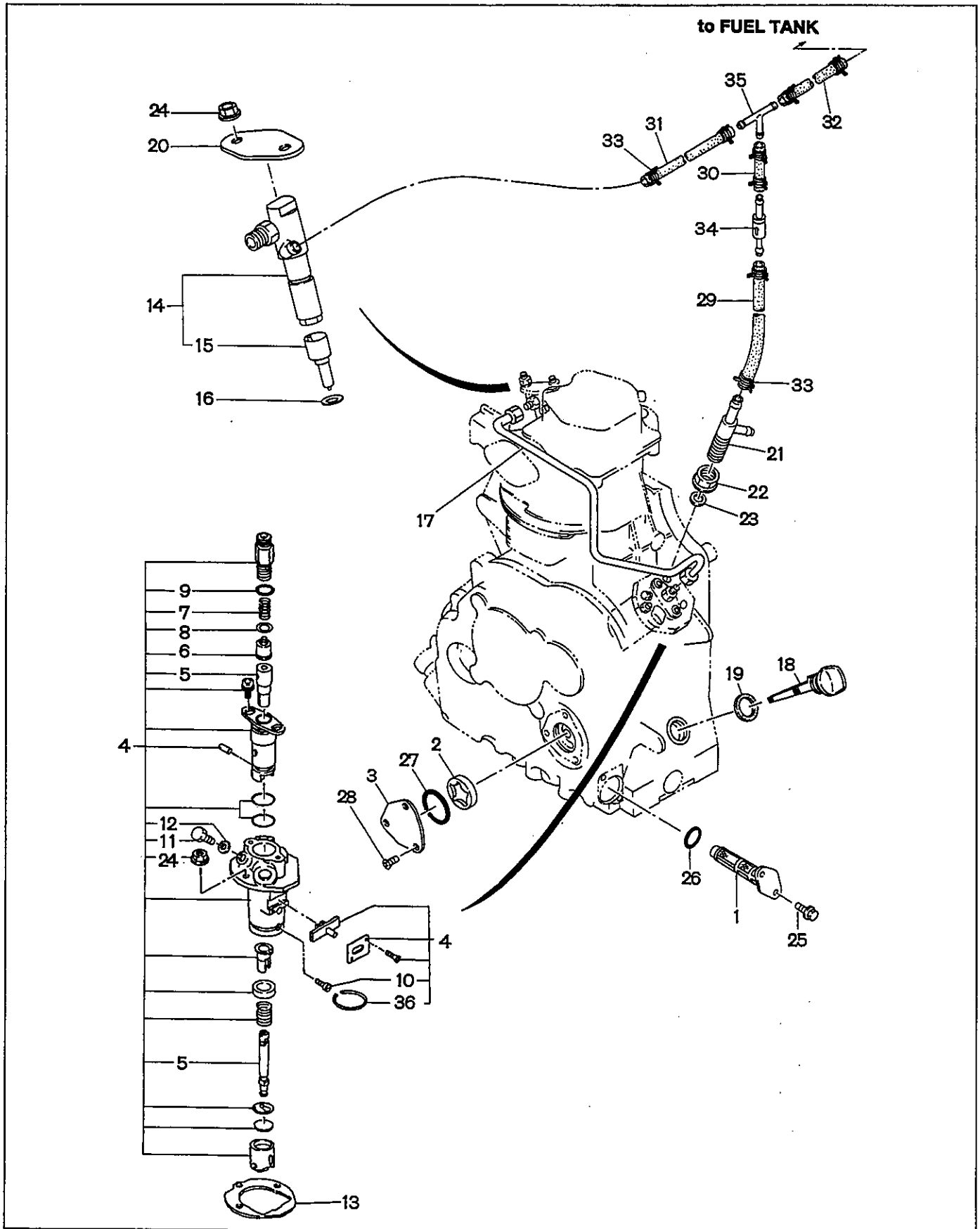


FIG. 14 FUEL SYSTEM

└ Interchangeability

Ref. No.	Parts Number	Description	Q'ty	Execution
1	243-64301-00	OIL FILTER ASS'Y	1	
2	228-63902-03	OIL PUMP (outer)	1	
3	243-66020-01	COVER (oil pump)	1	
*4	243-63101-20	INJECTION PUMP ASS'Y Includes items 5 thru 12, 36	1	
5	243-63128-08	PLUNGER ASS'Y	1	
6	243-63103-08	DELIVERY VALVE	1	
7	243-63104-08	SPRING	1	
8	243-63105-08	GASKET	1	
9	243-63107-08	O-RING	1	
10	243-63126-08	PIN	1	
11	243-63124-08	BOLT	1	
12	243-63125-08	GASKET	1	
13	243-65001-03	GASKET (injection pump) t=0.1	1	
13	243-65002-03	GASKET (injection pump) t=0.2	1	select one piece only
13	243-65003-03	GASKET (injection pump) t=0.3	1	
*14	243-63201-00	NOZZLE ASS'Y Includes item 15	1	
15	243-63204-08	NOZZLE	1	
16	228-65004-03	GASKET (nozzle)	1	
17	243-63304-01	INJECTION PIPE 4, compl.	1	
18	214-63601-13	OIL GAUGE	1	
19	021-32000-10	GASKET	1	
20	243-66001-01	BRACKET (nozzle 1)	1	
*21	243-66520-00	T-CONNECTOR ASS'Y Includes items 22 and 23	1	
22	243-66521-08	NUT	1	
23	243-66506-08	PACKING	1	
24	002-38060-00	FLANGE NUT	4	
25	001-14061-60	BOLT and WASHER ASS'Y	2	
26	006-26202-00	O-RING	1	
27	006-26103-30	O-RING	1	
28	004-11061-60	SCREW, counter sunk	3	
29	085-10400-00	RUBBER PIPE (φ 4.5 × φ 9 × 85mm)	1	
30	085-10400-00	RUBBER PIPE (φ 4.5 × φ 9 × 50mm)	1	
31	085-10400-00	RUBBER PIPE (φ 4.5 × φ 9 × 180mm)	1	
32	085-10400-00	RUBBER PIPE (φ 4.5 × φ 9 × 380mm)	1	
33	056-10800-10	HOSE CLAMP	8	
34	228-65032-13	CHECK VALVE	1	
35	228-65034-01	T-CONNECTOR, compl.	1	
36	243-63127-08	SNAP RING	1	

FIG. 15 ELECTRICAL EQUIPMENT

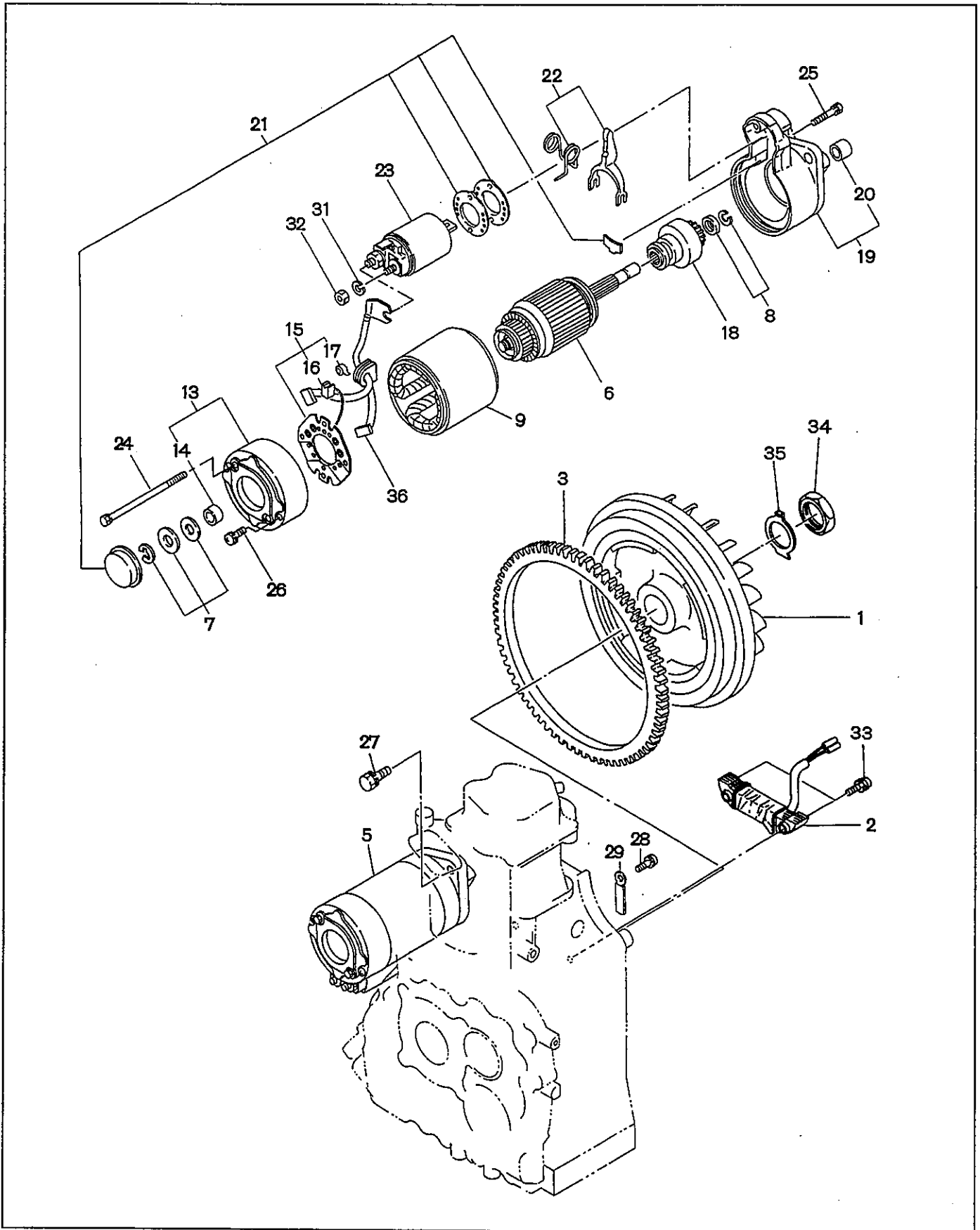


FIG. 16 ACCESSORIES

