



PARTS CATALOG

Robin

Generator

Model

RGD3300N

Spec. No. RD330017640
with large capacity fuel tank
wire remote control type

 **FUJI HEAVY INDUSTRIES LTD.**

ISSUE EMD-GP1396

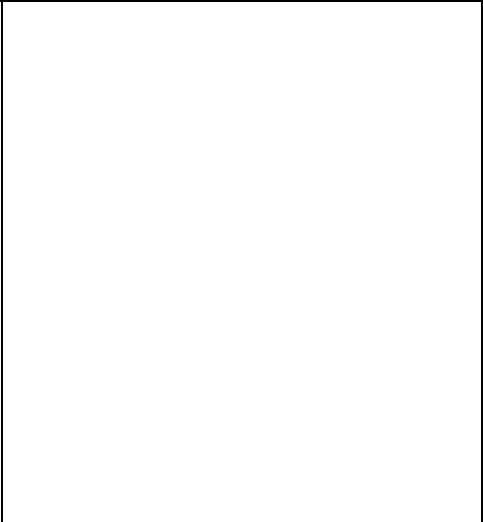
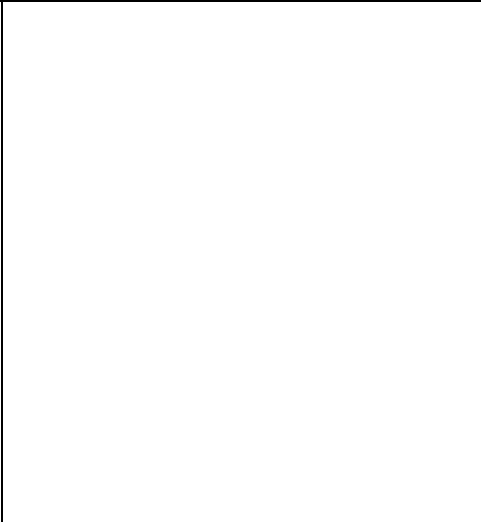
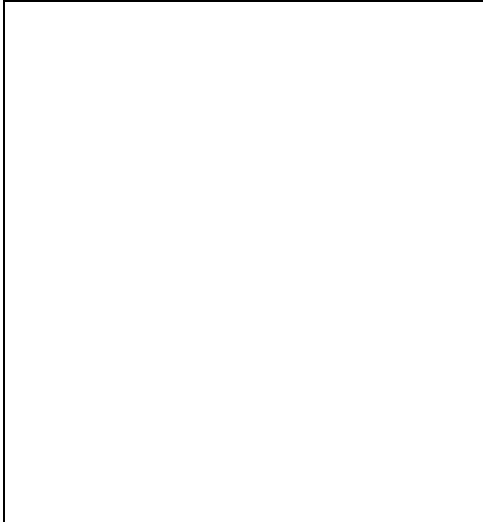
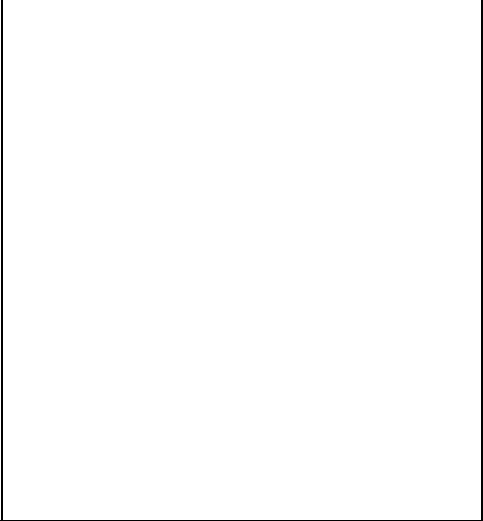
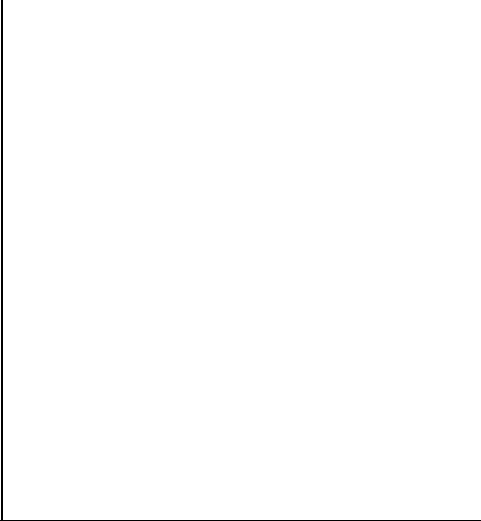
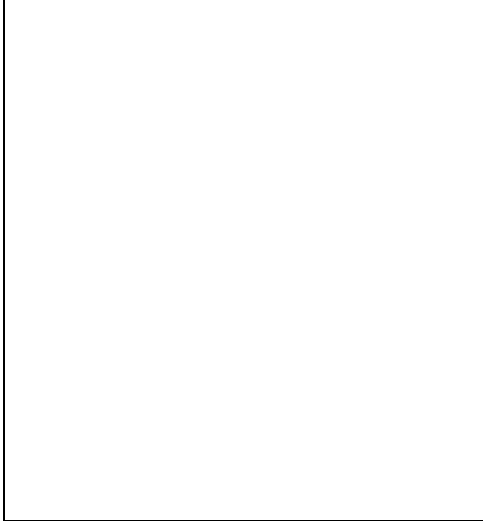
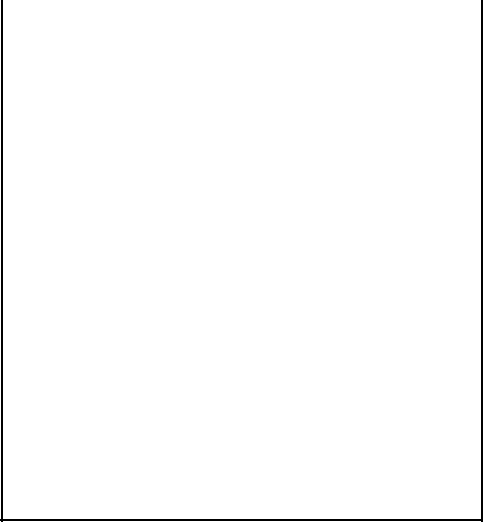
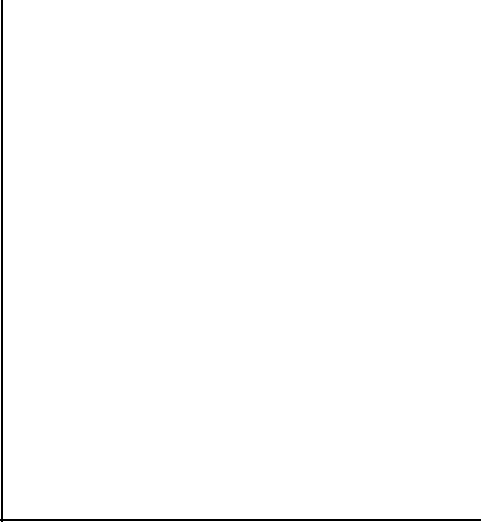
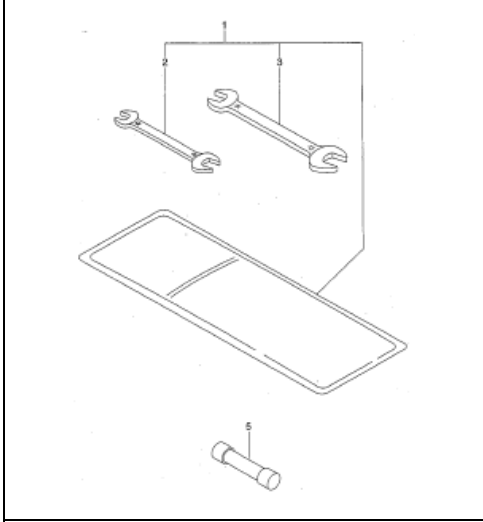
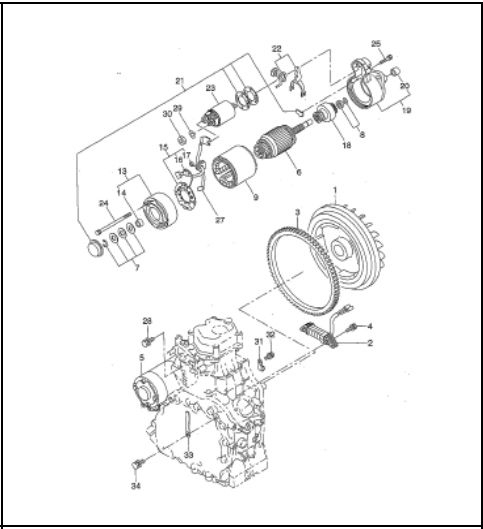
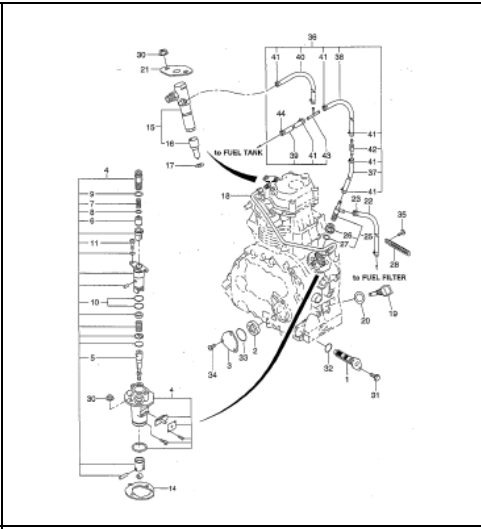
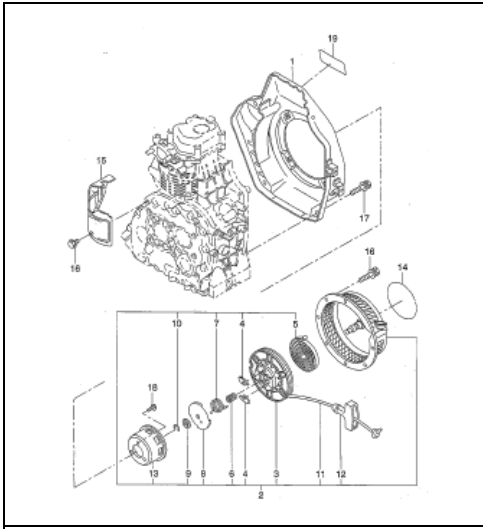
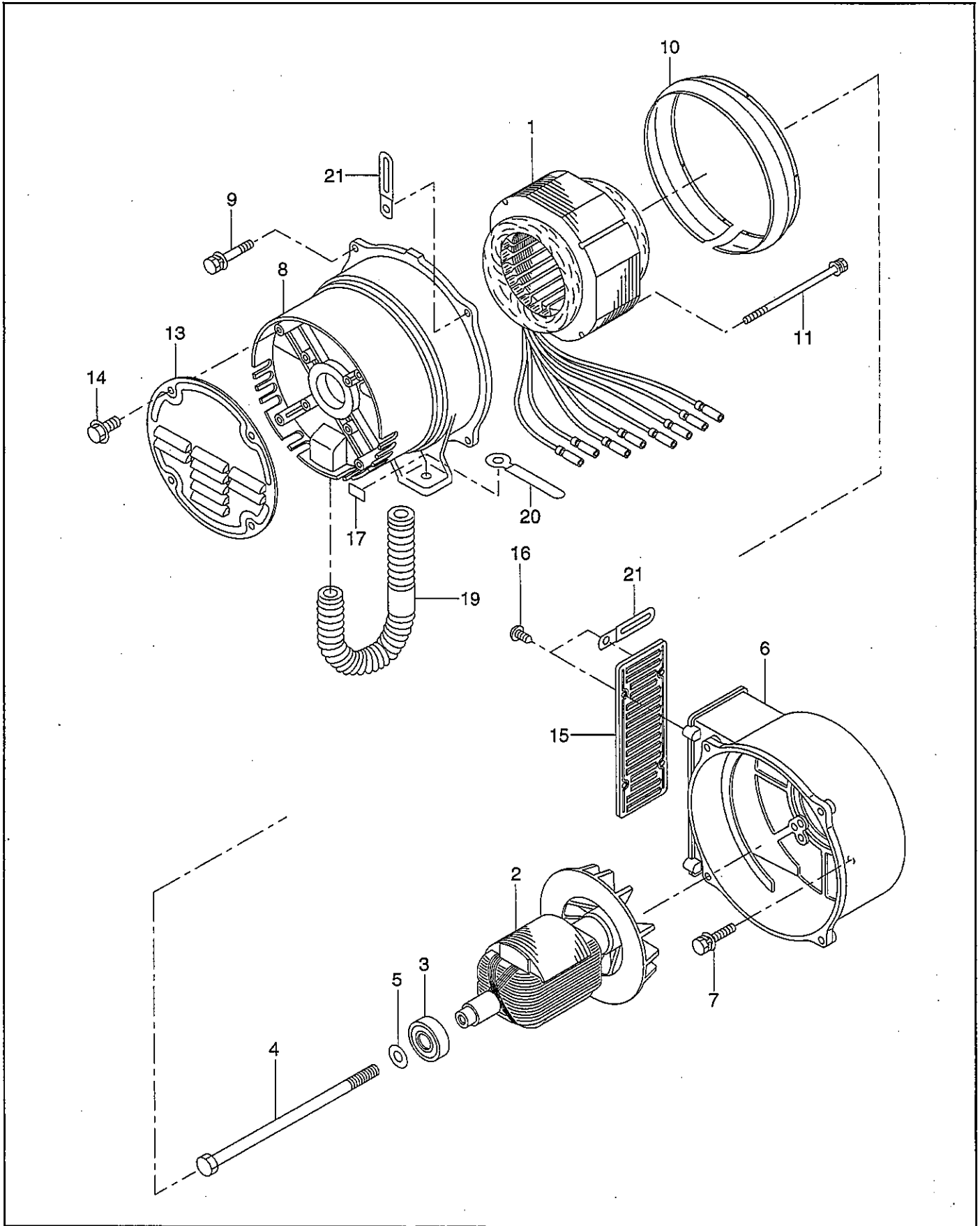


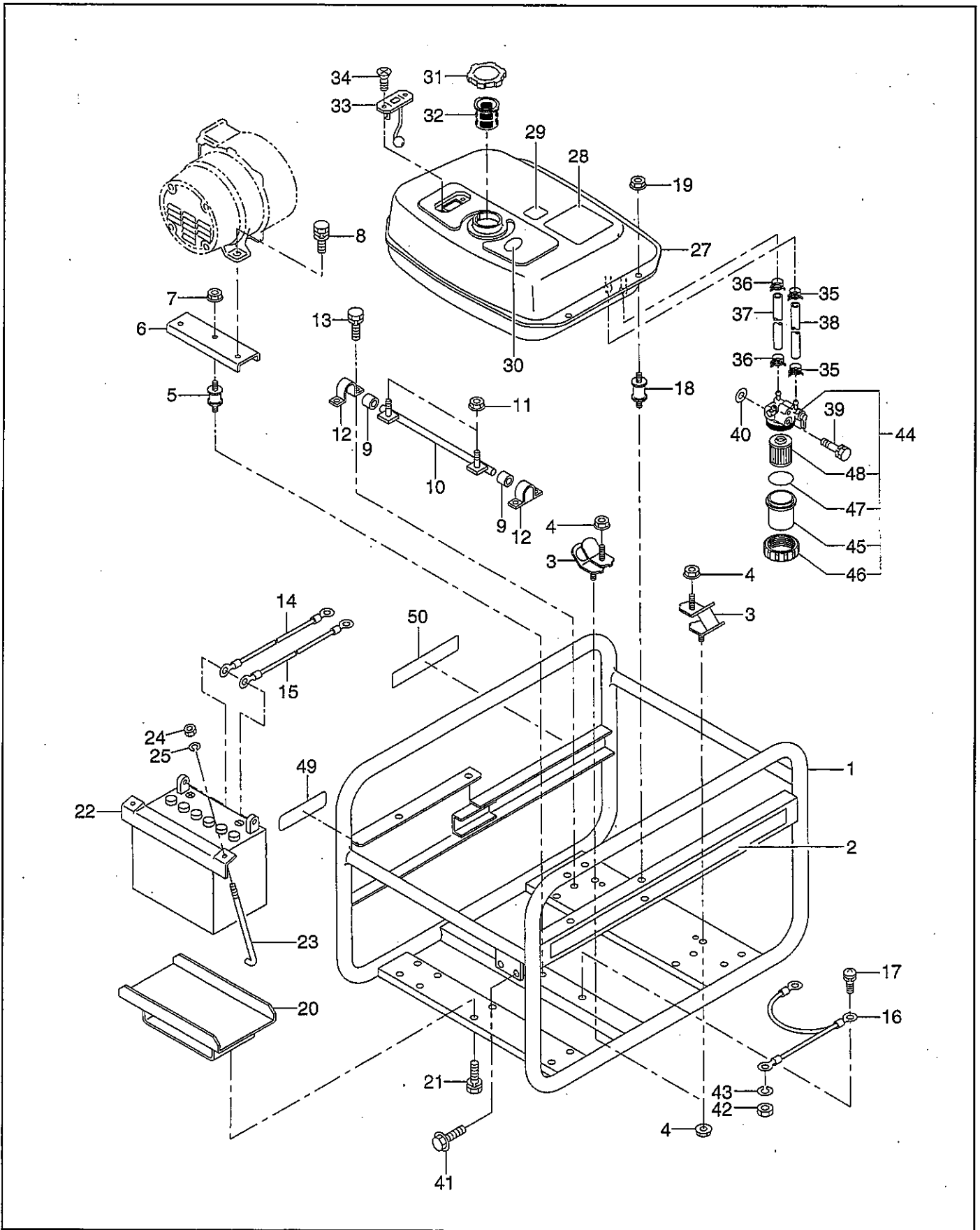
FIG.1 GENERATOR



'99-6

RGD3300N Remote type

FIG.2 PIPE FRAME and FUEL TANK



'99-6

RGD3300N Remote type

FIG.2 PIPE FRAME and FUEL TANK

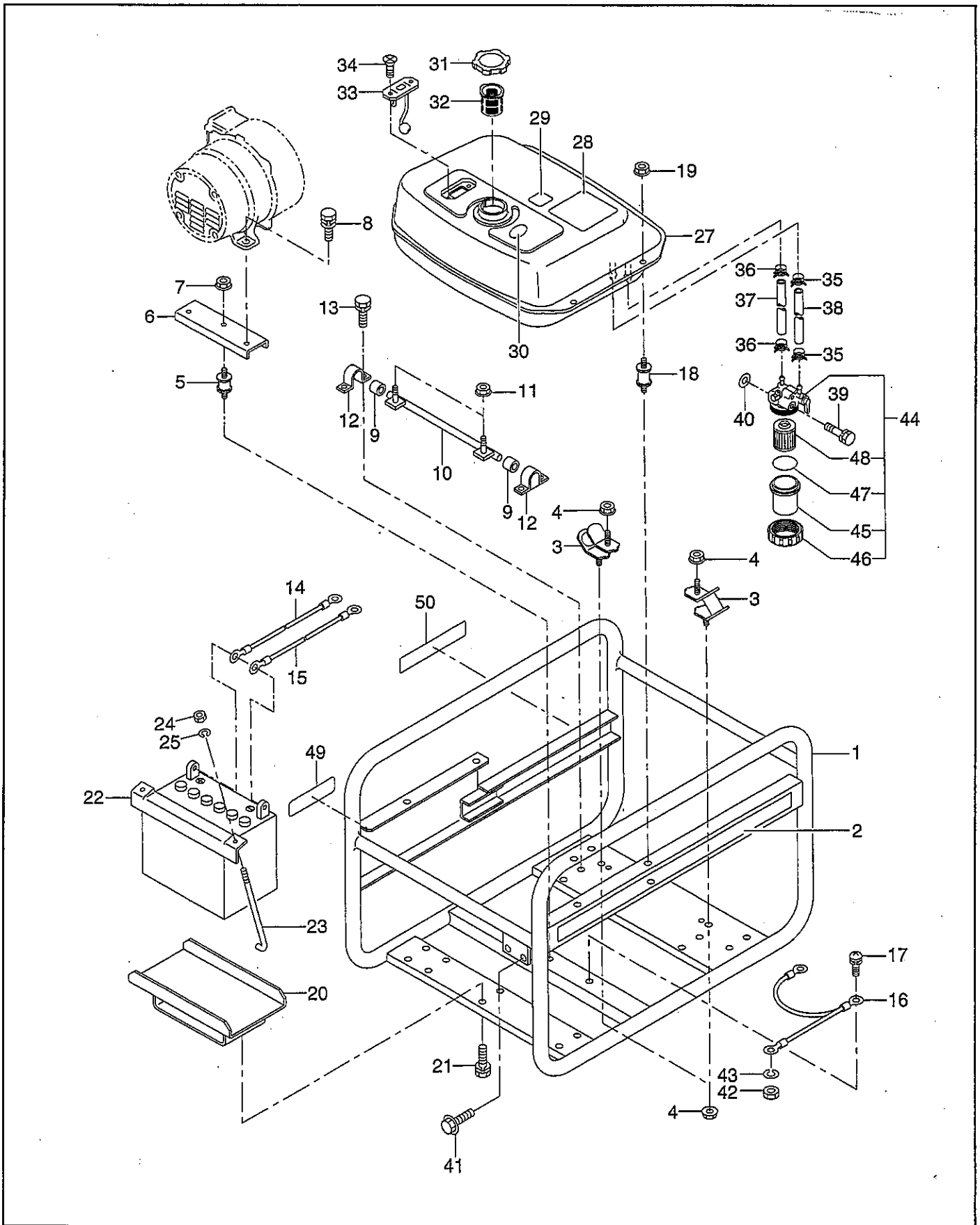
↙ Interchangeability

Ref. No.	Part Number	Description	Q'ty	Execution
1	391-31002-21	PIPE FRAME, compl.	1	
2	392-91006-03	LABEL (RGD3300N)	1	
3	391-37001-21	MOUNT, compl.	2	
4	002-38080-00	FLANGE NUT	4	
5	391-37101-01	MOUNT, compl.	1	
6	391-37500-21	GENERATOR BASE, compl.	1	
7	002-38080-00	FLANGE NUT	1	
8	001-14082-50	BOLT and WASHER ASS'Y	2	
9	391-38001-03	RUBBER	2	
10	391-38000-01	SHAFT (stopper), compl.	1	
11	002-38080-00	FLANGE NUT	2	
12	391-38500-01	STOPPER, compl.	2	
13	001-14061-60	BOLT and WASHER ASS'Y	4	
14	391-39002-13	BATTERY WIRE (+)	1	
15	391-39003-13	BATTERY WIRE (-)	1	
16	389-75100-01	EARTH CORD	1	
17	376-39100-01	SCREW and WASHER (M5 × 10mm)	1	
18	356-57045-08	MOUNT, compl.	4	
19	002-38080-00	FLANGE NUT	4	
20	391-33009-11	BATTERY BASE, compl.	1	
21	001-13061-20	BOLT and WASHER ASS'Y	4	
22	391-33003-21	BATTERY STAY, compl.	1	
23	391-33004-11	BATTERY BOLT, compl.	2	
24	002-17060-00	NUT	2	
25	003-20060-00	SPRING WASHER	2	
*27	255-60302-01	FUEL TANK, compl. Includes items 28 thru 30	1	
28	073-20045-10	LABEL (SYMBOL-TANK)	1	
29	073-20045-20	LABEL (OIL CAUTION)	1	
30	073-20049-10	LABEL (LIGHT OIL)	1	
31	043-04300-15	FUEL TANK CAP, compl.	1	
32	064-13600-10	FUEL FILTER	1	
33	064-80006-00	FUEL GAUGE, compl.	1	
34	014-50500-40	SCREW, counter head	2	
35	056-11100-20	HOSE CLAMP	2	
36	056-10800-10	HOSE CLAMP	2	
37	085-10600-00	RUBBER PIPE (φ 6 × φ 12 × 140mm)	1	
38	085-14500-00	RUBBER PIPE (φ 4.5 × φ 9 × 150mm)	1	
39	001-13086-50	BOLT and WASHER ASS'Y	1	
40	003-10080-00	WASHER	1	
41	011-00600-80	FLANGE BOLT	3	
42	002-19040-00	NUT	1	
43	003-20040-00	SPRING WASHER	1	
*44	243-62102-10	FUEL FILTER ASS'Y Includes items 45 thru 48	1	
45	243-62101-08	CUP	1	

'99-6

RGD3300N Remote type

FIG.2 PIPE FRAME and FUEL TANK



'99-6

RGD3300N Remote type

FIG.3 CONTROL BOX

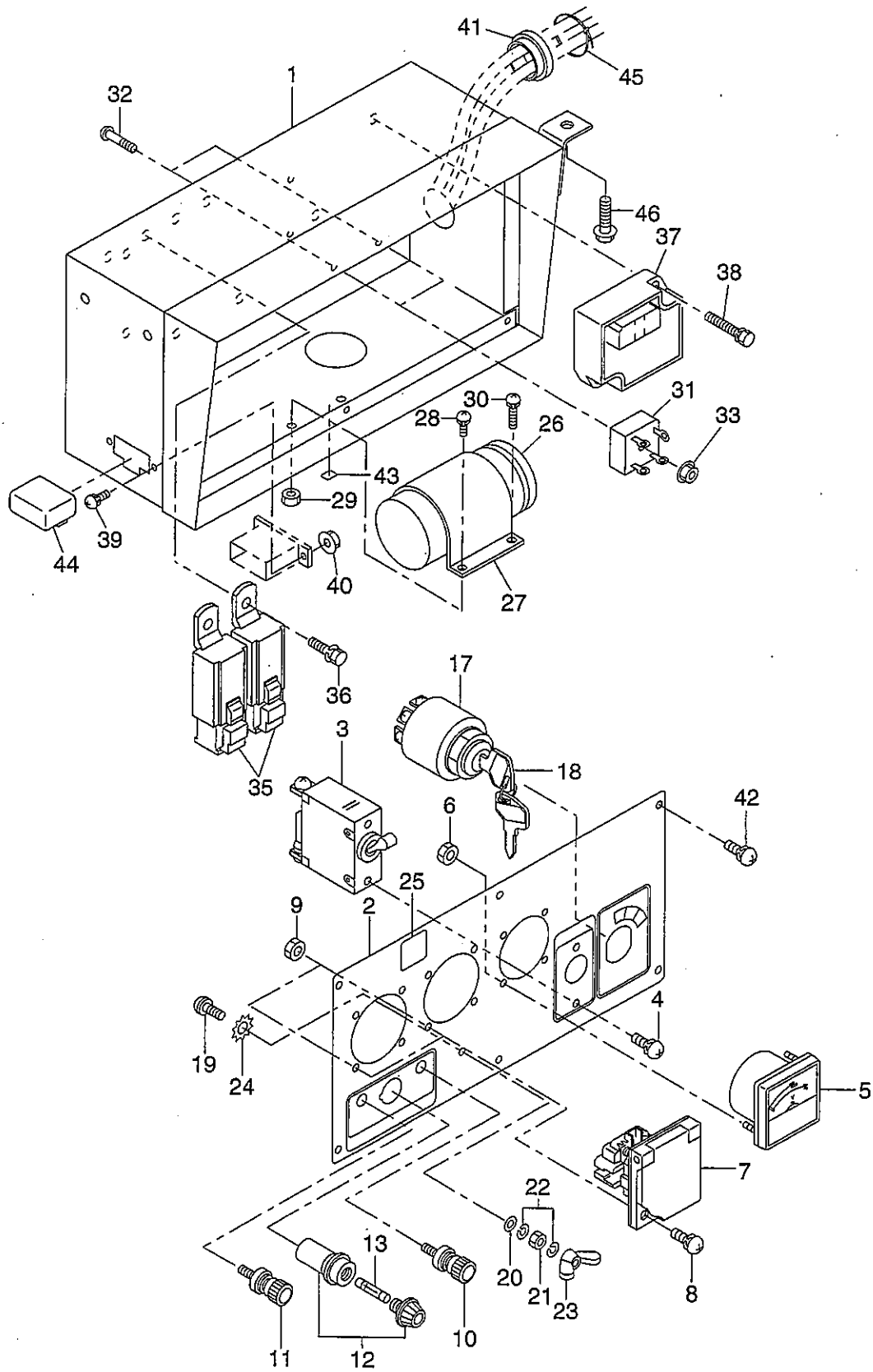


FIG.3 CONTROL BOX

↙ Interchangeability

Ref. No.	Part Number	Description	Q'ty	Execution
*1	392-40112-00	CONTROL BOX ASS'Y Includes items 1 thru 13, 17 thru 33 and 35 thru 44	1	
1	392-40103-01	CONTROL BOX, compl.	1	
*2	392-41110-00	CONTROL PANEL AS'Y Includes items 2 thru 13 and 17 thru 25	1	
2	391-41107-01	CONTROL PANEL, compl.	1	
3	392-43101-03	CIRCUIT BREAKER (12A)	1	
4	004-37030-51	SCREW and WASHER ASS'Y	2	
5	391-47902-01	AC VOLT METER, compl.	1	
6	002-17030-00	NUT	2	
7	358-40621-08	AC RECEPTACLE (250V-16A)	2	
8	004-36031-20	SCREW and WASHER ASS'Y	8	
9	002-17030-00	NUT	8	
10	363-45701-08	TERMINAL BOLT (color : RED)	1	
11	363-45700-08	TERMINAL BOLT (color : BLACK)	1	
12	320-59855-08	FUSE HOLDER (250V-10A)	1	
13	008-02103-00	FUSE (10A)	1	
*17	066-00003-30	SWITCH Includes item 18	1	
18	066-00099-80	KEY	2	
19	388-88001-03	SCREW and WASHER ASS'Y (M5 × 14mm)	1	
20	353-49903-08	WASHER	1	
21	353-49902-08	NUT	1	
22	332-00050-08	SPRING WASHER	2	
23	353-49901-08	WING NUT (M5)	1	
24	003-30050-00	LOCK WASHER	1	
25	073-20044-90	LABEL (ELEC. SHOCK)	1	
26	389-05000-01	CONDENSER (300VAC-21 μ F)	1	
27	388-86001-01	CONDENSER BRACKET	1	
28	004-35041-00	SCREW and WASHER ASS'Y	1	
29	002-17040-00	NUT	2	
30	389-59989-08	SCREW and WASHER ASS'Y (M4 × 16mm)	1	
31	353-45804-08	DIODE STACK	2	
32	004-35042-00	SCREW and WASHER ASS'Y	2	
33	002-37040-00	FLANGE NUT	2	
35	391-48301-01	RELAY (CA) ASS'Y	2	
36	001-11061-60	BOLT and WASHER ASS'Y	2	
37	KU3-11060-01	ECU (DYRM), compl.	1	
38	001-11063-50	BOLT and WASHER ASS'Y	2	
39	004-35041-60	SCREW and WASHER ASS'Y	2	
40	002-37040-00	FLANGE NUT	2	
41	389-47552-08	GROMMET	1	
42	353-49904-08	SCREW and WASHER ASS'Y (M4 × 10mm)	6	
43	073-20026-51	LABEL, earth	1	
44	31G-49501-03	CONNECTOR CAP	1	

'99-6

RGD3300N Remote type

FIG.3 CONTROL BOX

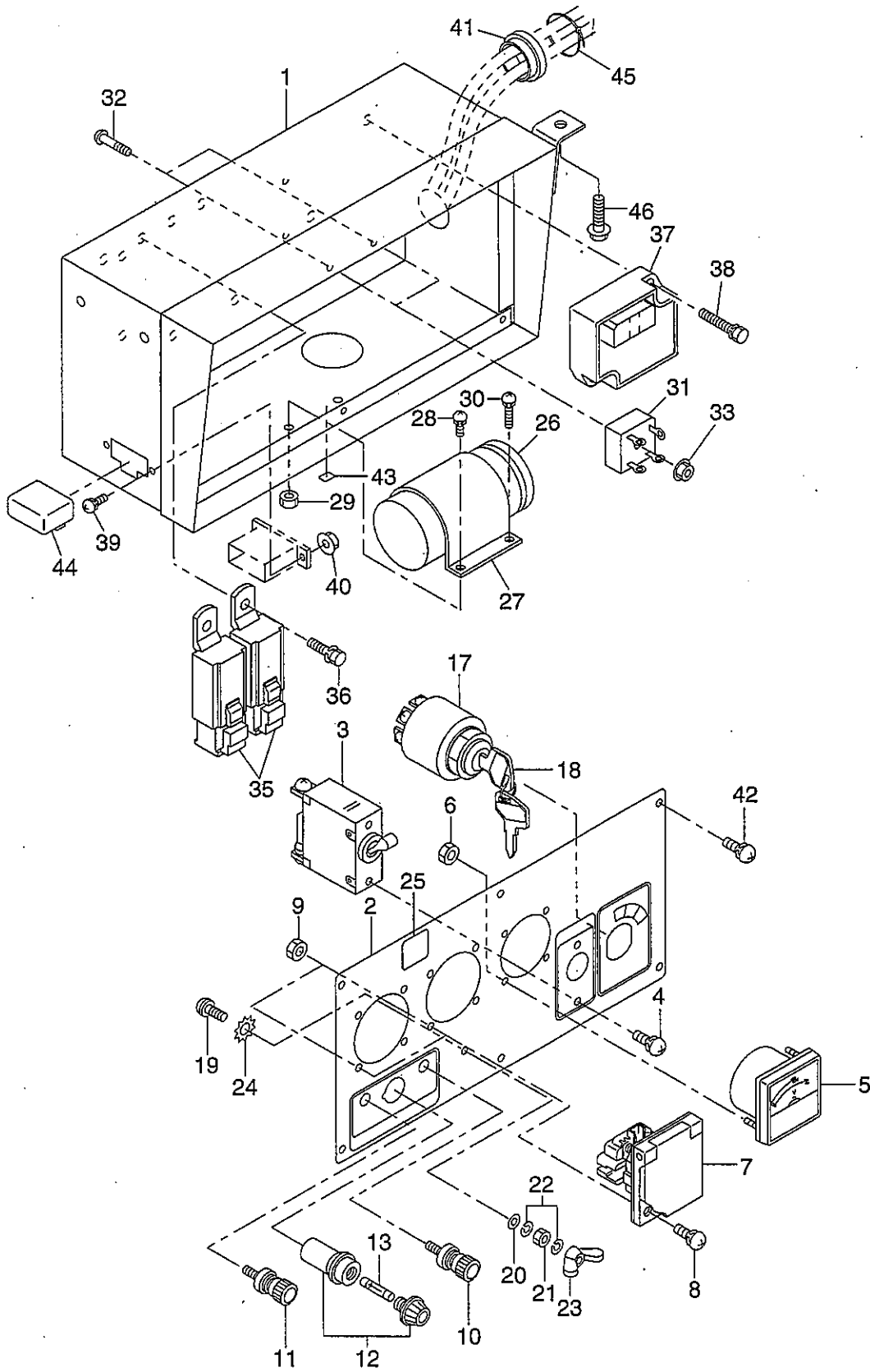


FIG.4 REMOTE BOX

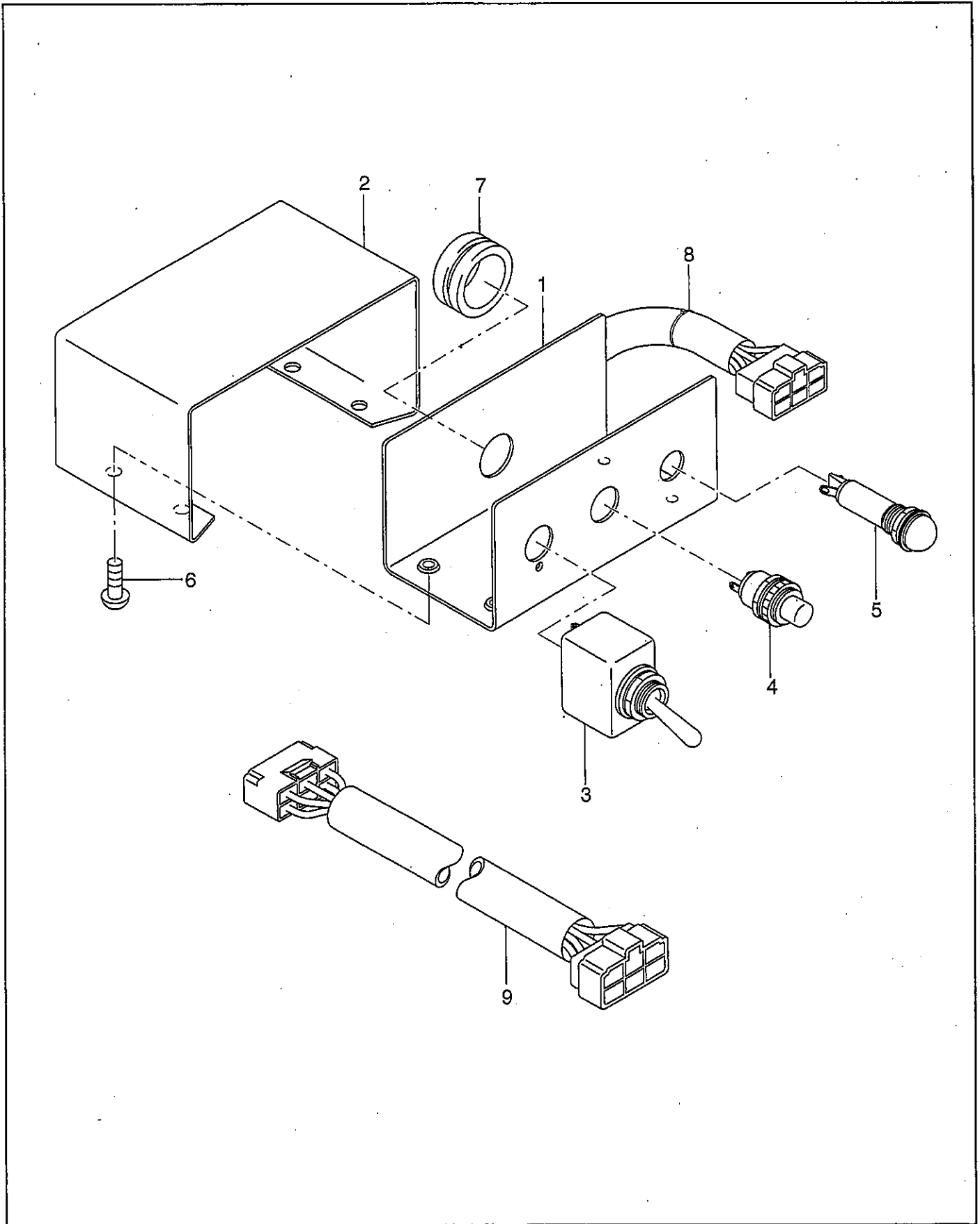
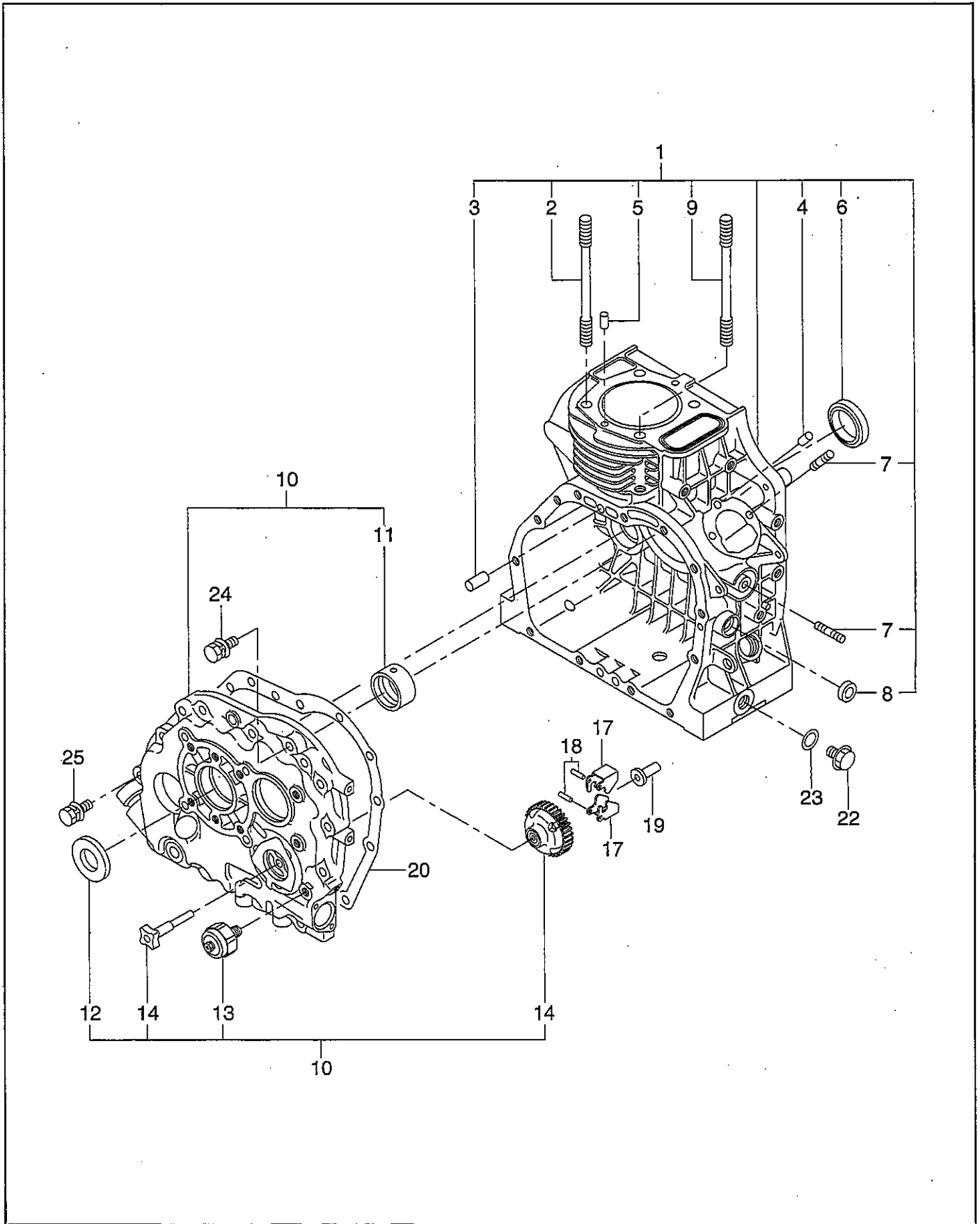


FIG.5 CRANKCASE GROUP



'99-6

RGD3300N Remote type

FIG.5 CRANKCASE GROUP

↙Interchangeability

Ref. No.	Part Number	Description	Q'ty	Execution
*1	244-10107-61	CRANKCASE, compl. Includes items 2 thru 9	1	
2	244-16001-11	TENSION BOLT	3	
3	005-26081-80	DOWEL PIN	2	
4	031-00500-10	DOWEL PIN	1	
5	031-00600-10	DOWEL PIN	2	
6	044-03000-60	OIL SEAL (φ 30 × φ 48 × 8mm)	1	
7	001-37062-21	STUD	3	
8	044-00800-30	OIL SEAL (φ 8 × φ 18 × 7mm)	1	
9	244-16002-11	TENSION BOLT	1	
*10	244-11003-61	MAIN BEARING COVER, compl. Includes items 11 thru 14	1	
11	243-15801-03	MAIN BEARING, STD.	1	
11	243-15802-03	MAIN BEARING, under size 0.25mm	1	
11	243-15803-03	MAIN BEARING, under size 0.50mm	1	
12	044-03000-30	OIL SEAL (φ 30 × φ 45 × 8mm)	1	
13	942-99513-00	SWITCH ASS'Y, oil pressure	1	
14	243-45011-07	GOVERNOR GEAR SHAFT SET	1	
17	220-41601-03	FLYWEIGHT	2	
18	030-73000-70	PIN	2	
19	205-41901-03	GOVERNOR SLEEVE	1	
20	243-15026-03	GASKET, bearing cover	1	
22	040-11400-30	PLUG	2	
23	021-11400-20	GASKET	2	
24	001-13083-50	BOLT and WASHER ASS'Y	12	
25	001-13084-00	BOLT and WASHER ASS'Y	1	
*	256-99001-07	GASKET SET Includes items Fig. 5-20,23 Fig.6-7,8 Fig.9-6,12,13 Fig.12-20	1	

'99-6

RGD3300N Remote type

FIG.6 CYLINDER HEAD GROUP

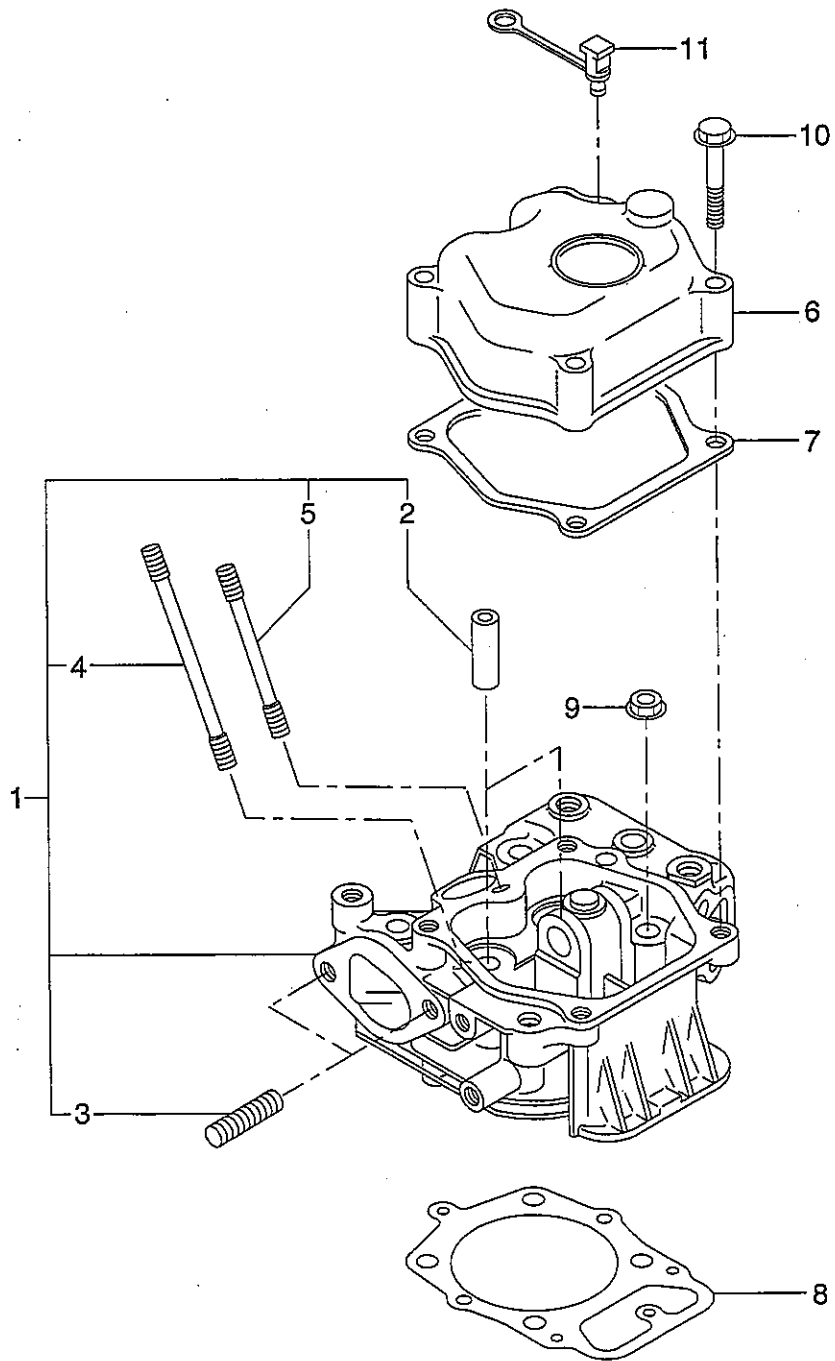


FIG.7 CRANKSHAFT and PISTON GROUP

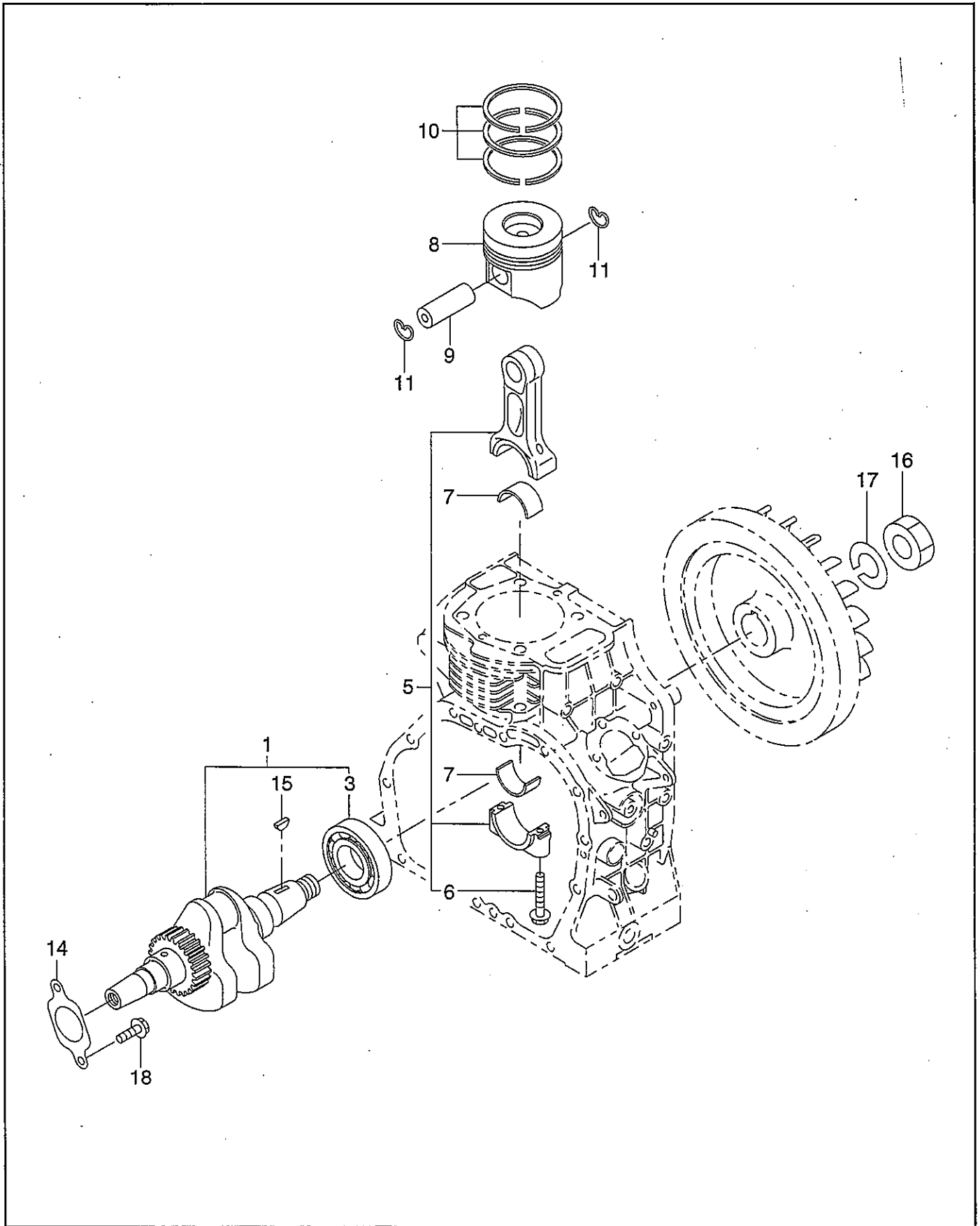


FIG.7 CRANKSHAFT and PISTON GROUP

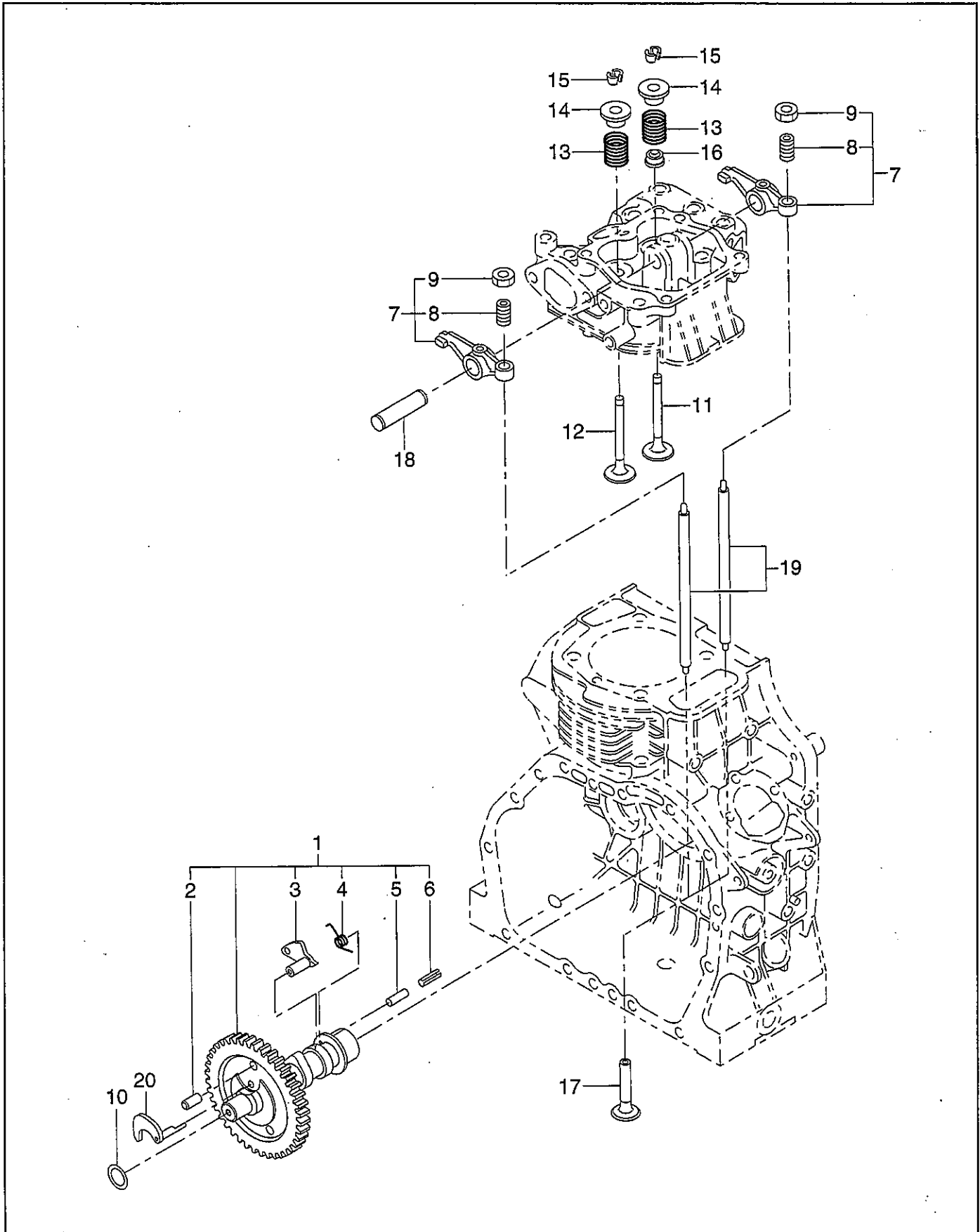
↙ Interchangeability

Ref. No.	Part Number	Description	Q'ty	Execution
*1	244-20203-21	CRANKSHAFT, compl. Includes item 3	1	
3	060-03500-20	BALL BEARING	1	
*5	243-22510-00	CONNECTING ROD ASS'Y Includes item 6	1	
6	243-23002-03	CONNECTING ROD BOLT	2	
7	243-22801-03	LARGE END BEARING, STD.	2	
7	243-22802-03	LARGE END BEARING, under size 0.25mm	2	
7	243-22803-03	LARGE END BEARING, under size 0.50mm	2	
8	244-23401-13	PISTON, STD.	1	
8	244-23402-13	PISTON, over size 0.25mm	1	
8	244-23403-13	PISTON, over size 0.50mm	1	
9	243-23301-03	PISTON PIN	1	
10	244-23501-27	PISTON RING SET, STD.	1	
10	244-23502-27	PISTON RING SET, over size 0.25mm	1	
10	244-23503-27	PISTON RING SET, over size 0.50mm	1	
11	056-52000-30	CLIP	2	
14	243-25001-03	THRUST WASHER (t=0.8) select one piece only	1	
14	243-25002-03	THRUST WASHER (t=1.0) select one piece only	1	
14	243-25003-03	THRUST WASHER (t=1.2) select one piece only	1	
15	032-30300-10	WOODRUFF KEY	1	
16	002-18180-00	NUT	1	
17	003-20180-00	SPRING WASHER	1	
18	011-00600-10	FLANGE BOLT	2	

'99-6

RGD3300N Remote type

FIG.8 CAMSHAFT and VALVE ROCKER GROUP



'99-6

RGD3300N Remote type

FIG.8 CAMSHAFT and VALVE ROCKER GROUP

↴ Interchangeability

Ref. No.	Part Number	Description	Q'ty	Execution
*1	243-31702-41	CAMSHAFT, compl. Includes items 1 thru 6	1	
2	005-26081-80	DOWEL PIN	1	
3	243-35505-03	RELEASE LEVER	1	
4	243-35021-03	SPRING, RELEASE	1	
5	243-35022-03	SHAFT, RELEASE	1	
6	005-19031-20	SPRING PIN	1	
*7	243-36002-01	ROCKER ARM, compl. Includes items 8 and 9	2	
8	014-90800-21	ADJUSTING SCREW	2	
9	017-00800-90	NUT	2	
10	023-01900-20	SPACER (t=0.8) select one piece only	1	
10	023-01900-30	SPACER (t=1.0) select one piece only	1	
11	243-33401-23	INTAKE VALVE	1	
12	243-33501-23	EXHAUST VALVE	1	
13	243-33601-03	VALVE SPRING	2	
14	243-33701-13	SPRING RETAINER	2	
15	243-33801-13	RETAINER LOCK	4	
16	237-16008-01	STEM SEAL	1	
17	243-33301-03	TAPPET	2	
18	243-35034-03	ROCKER SHAFT	1	
19	243-35032-01	PUSH ROD, compl.	2	
20	243-35503-23	RELEASE LEVER	1	

'99-6

RGD3300N Remote type

FIG.9 MUFFLER and AIR CLEANER GROUP

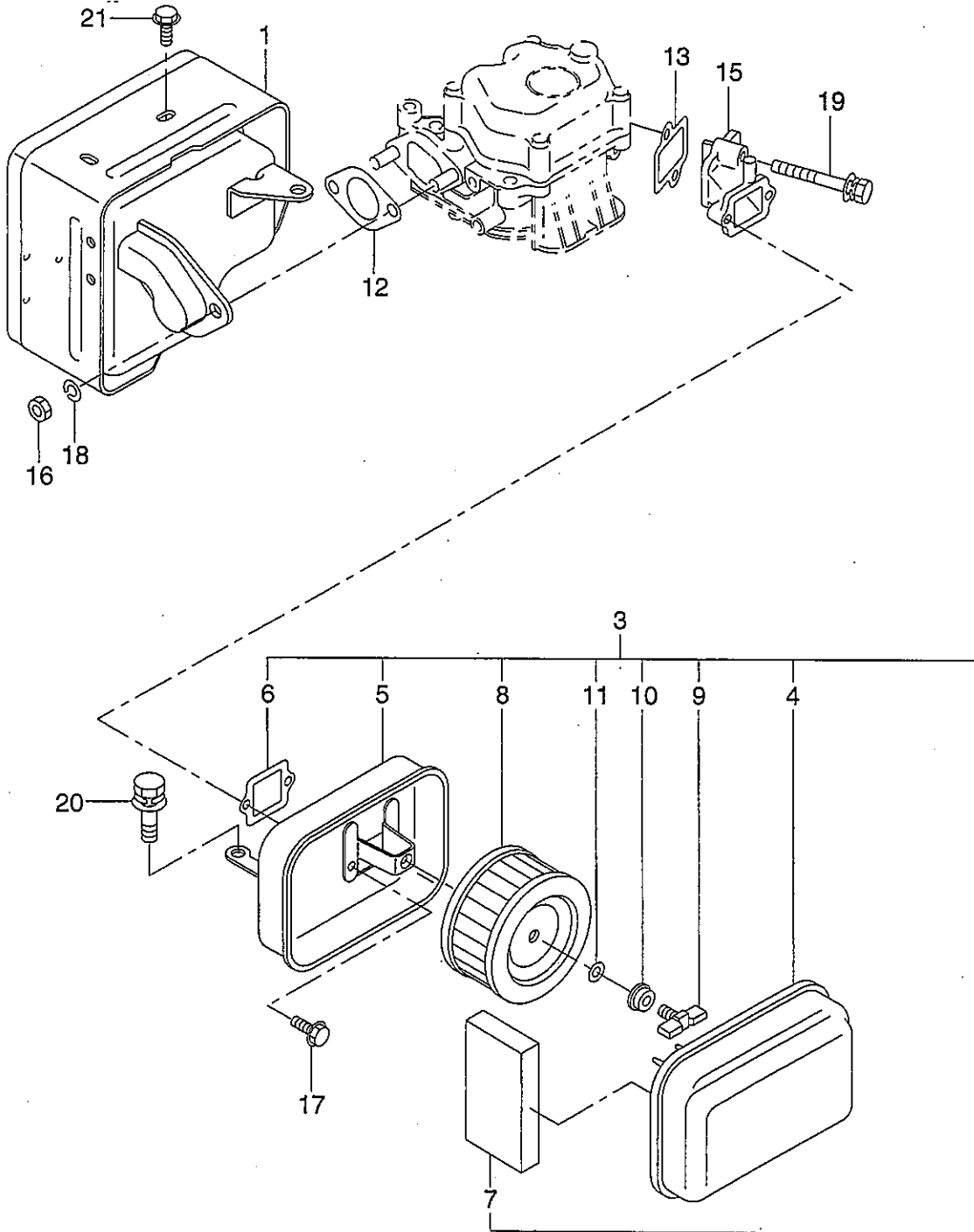
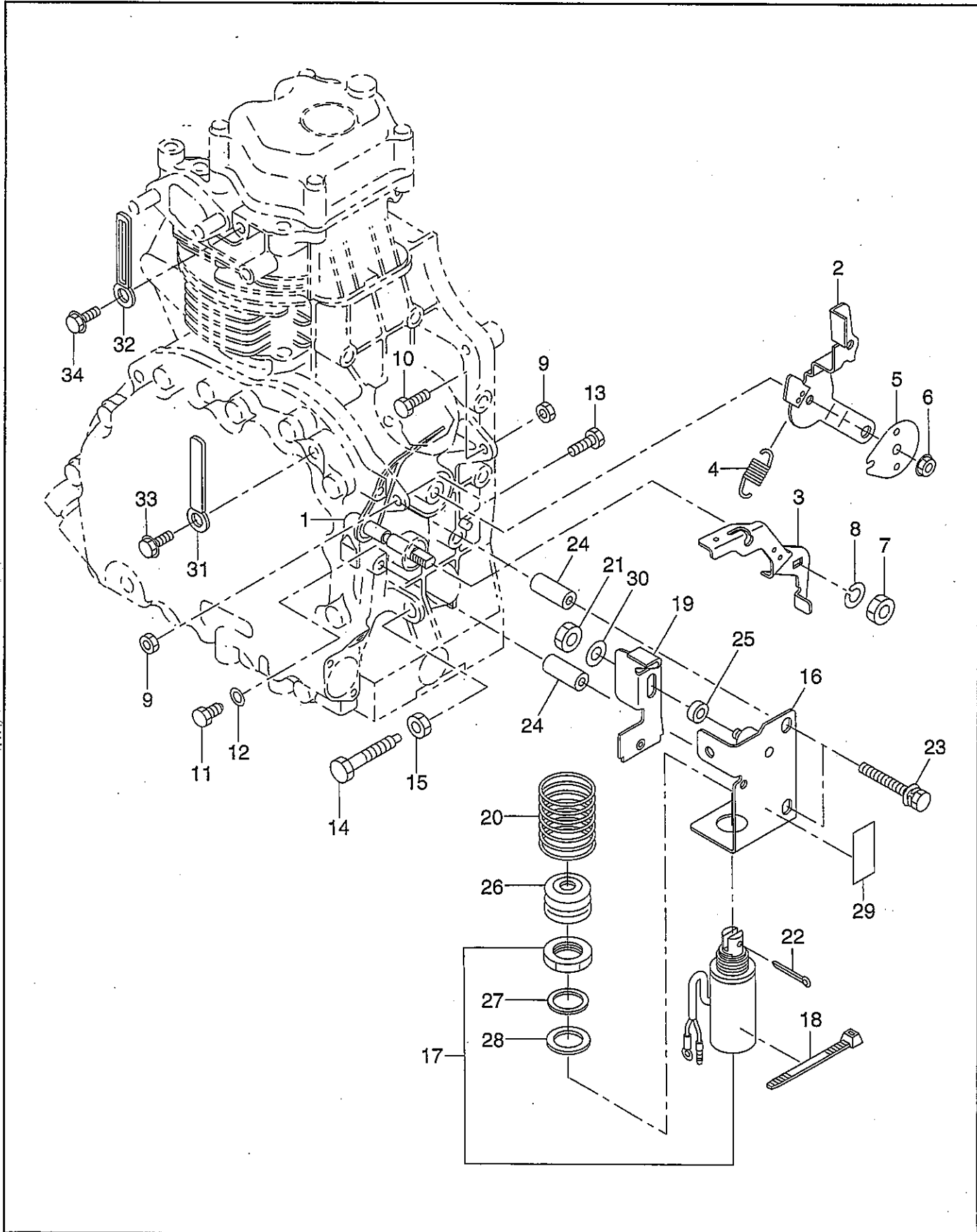


FIG.10 GOVERNOR OPERATION GROUP



'99-6

RGD3300N Remote type

FIG.10 GOVERNOR OPERATION GROUP

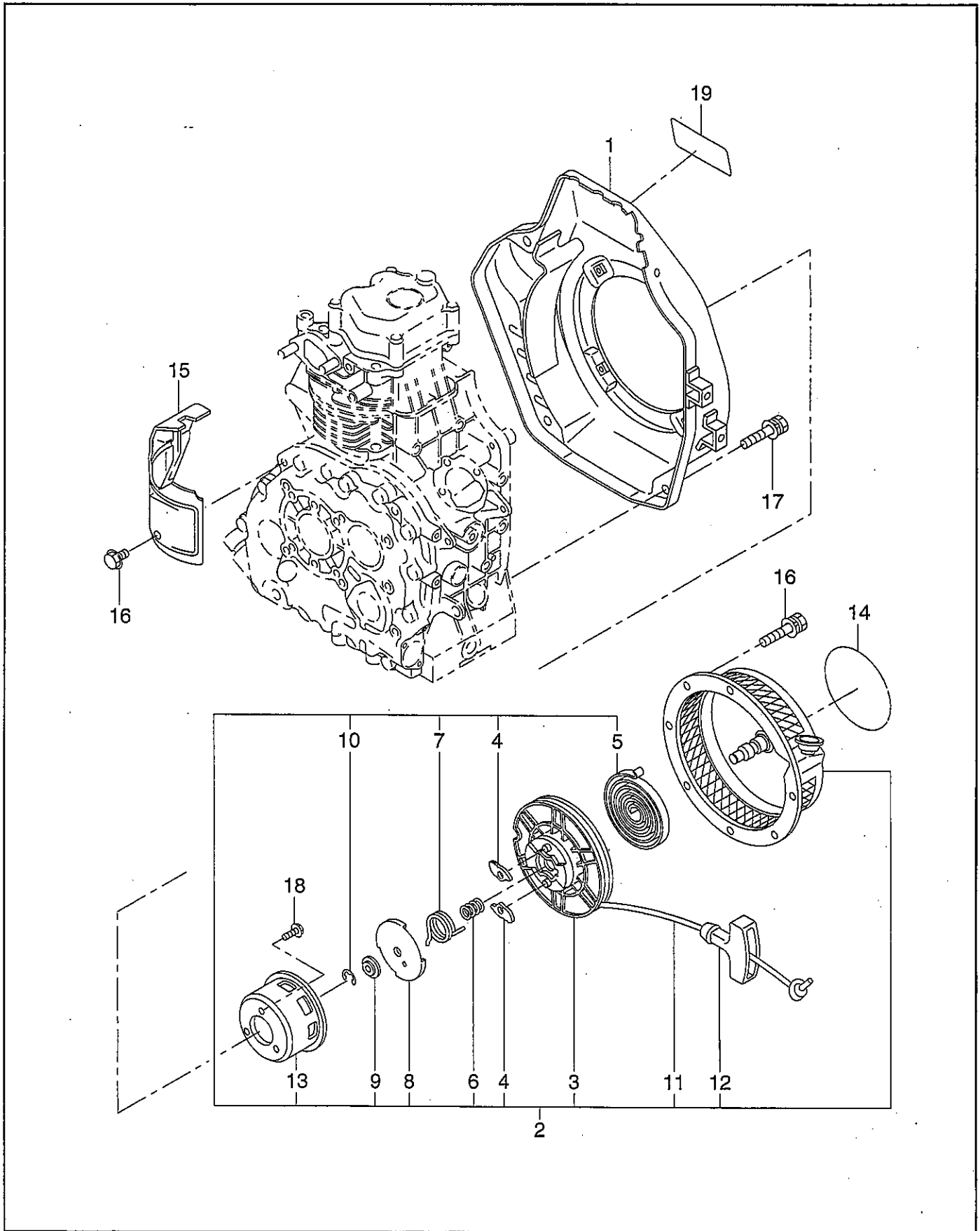
↙ Interchangeability

Ref. No.	Part Number	Description	Q'ty	Execution
1	243-42301-12	GOVERNOR LEVER UNIT	1	
2	243-43301-21	SPEED CONTROL	1	
3	243-42920-21	CONTROL LINK	1	
4	243-42502-03	GOVERNOR SPRING, compl.	1	
5	227-43501-13	STOP PLATE	1	
6	017-60600-30	SELF LOCK NUT	1	
7	002-18080-00	NUT	1	
8	003-20080-00	SPRING WASHER	1	
9	002-18060-00	NUT	2	
10	001-66063-00	BOLT	1	
11	243-45002-03	BOLT	1	
12	003-10060-00	WASHER	1	
13	010-00603-70	BOLT	1	
14	243-45501-10	SMOKE SET ASS'Y	1	
15	002-27100-00	NUT	1	
16	243-47011-21	BRACKET	1	
17	243-75017-00	SOLENOID VALVE ASS'Y	1	
18	056-30000-40	WIRE BAND	1	
19	243-45706-10	STOP LEVER ASS'Y	1	
20	243-46003-03	RETURN SPRING	1	
21	017-60600-30	SELF LOCK NUT	1	
22	005-10301-50	COTTER PIN	1	
23	001-11064-50	BOLT and WASHER ASS'Y	2	
24	023-00602-71	SPACER	2	
25	023-00603-10	SPACER	1	
26	228-75013-03	BOOT, plunger	1	
27	023-01800-50	SPACER	1	
28	023-01800-60	SPACER	1	
29	073-20045-50	LABEL, operation	1	
30	021-70600-50	FRICTION WASHER	1	
31	056-60001-70	CLAMP	1	
32	150-75201-03	CLAMP	2	
33	001-13081-60	BOLT and WASHER ASS'Y	1	
34	001-13061-20	BOLT and WASHER ASS'Y	1	

'99-6

RGD3300N Remote type

FIG.11 BLOWER HOUSING and RECOIL STARTER GROUP



'99-6

RGD3300N Remote type

FIG.12 FUEL SYSTEM GROUP

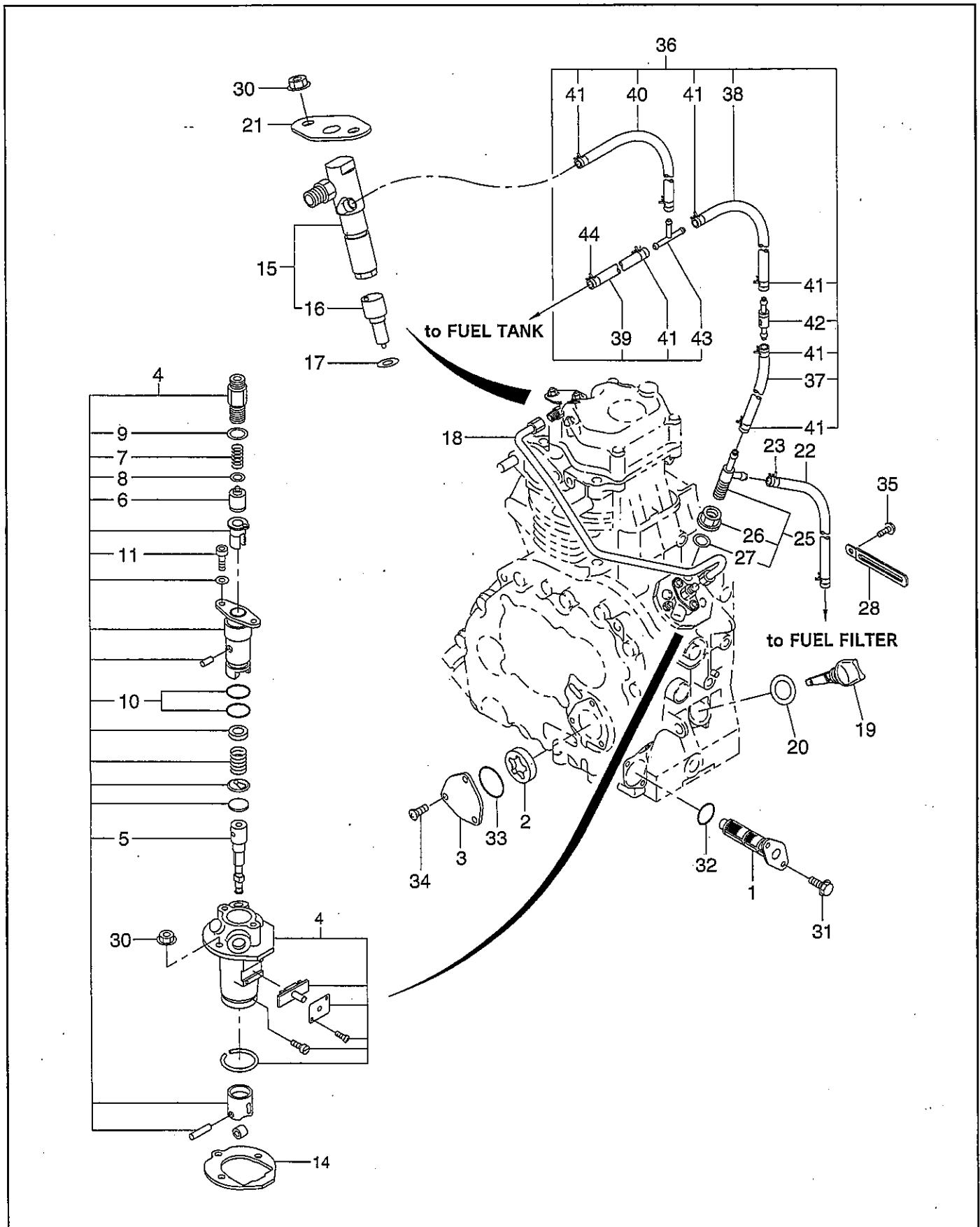


FIG.12 FUEL SYSTEM GROUP

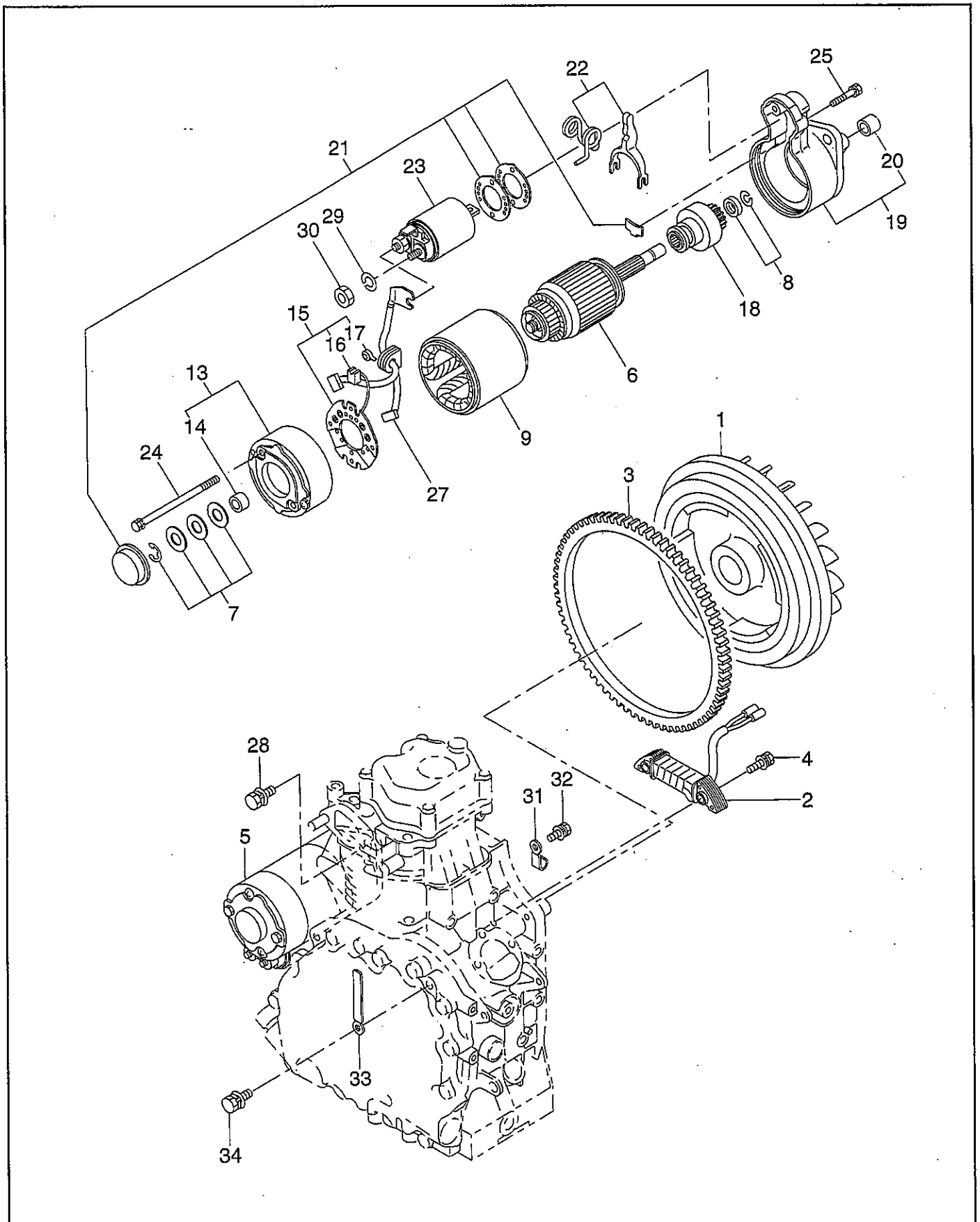
↙ Interchangeability

Ref. No.	Part Number	Description	Q'ty	Execution
1	243-64301-00	OIL FILTER ASS'Y	1	
2	228-63902-03	OIL PUMP, outer	1	
3	243-66020-01	COVER, oil pump	1	
*4	255-63103-00	INJECTION PUMP ASS'Y Includes items 5 thru 11	1	
5	243-63131-08	PLUNGER ASS'Y	1	
6	243-63103-08	DELIVERY VALVE	1	
7	243-63104-08	SPRING D.V.	1	
8	243-63105-08	GASKET	1	
9	243-63107-08	"O" RING	1	
10	243-63129-08	"O" RING	2	
11	243-63130-08	SCREW	2	
14	243-65001-03	GASKET, injection pump (t=0.1) select one piece only	1	
14	243-65002-03	GASKET, injection pump (t=0.2) select one piece only	1	
14	243-65003-03	GASKET, injection pump (t=0.3) select one piece only	1	
*15	243-63202-00	NOZZLE ASS'Y Includes item 16	1	
16	243-63204-08	NOZZLE	1	
17	228-65004-03	GASKET, nozzle	1	
18	243-63301-21	INJECTION PIPE, compl.	1	
19	214-63601-13	OIL GAUGE	2	
20	021-32000-10	GASKET	2	
21	243-66001-01	BRACKET, nozzle 1	1	
22	085-10600-00	RUBBER PIPE (φ 6 × φ 12 × 325mm)	1	
23	056-11100-20	HOSE CLAMP	1	
*25	243-66520-10	T-CONNECTOR ASS'Y Includes items 26,27	1	
26	243-66521-08	NUT	1	
27	243-66506-08	PACKING	1	
28	150-75201-03	CLAMP	1	
30	002-38060-00	FLANGE NUT	4	
31	001-14061-60	BOLT and WASHER ASS'Y	2	
32	006-26202-00	"O" RING	1	
33	006-26103-30	"O" RING	1	
34	004-11061-60	SCREW	3	
35	001-10061-00	BOLT and WASHER ASS'Y	1	
*36	255-62606-11	FUEL PIPE 6 COMPL. Includes items 37 thru 43	1	
37	085-14500-00	RUBBER PIPE (φ 4.5 × φ 9 × 95mm)	1	
38	085-14500-00	RUBBER PIPE (φ 4.5 × φ 9 × 180mm)	1	
39	085-14500-00	RUBBER PIPE (φ 4.5 × φ 9 × 60mm)	1	
40	085-14500-00	RUBBER PIPE (φ 4.5 × φ 9 × 170mm)	1	
41	056-10800-10	HOSE CLAMP	7	
42	228-65032-13	CHECK VALVE	1	
43	255-65003-03	T-CONNECTOR, compl.	1	
44	056-10800-10	HOSE CLAMP	1	

'99-6

RGD3300N Remote type

FIG.13 ELECTRICAL EQUIPMENT GROUP



'99-6

RGD3300N Remote type

FIG.13 ELECTRICAL EQUIPMENT GROUP

↙ Interchangeability

Ref. No.	Part Number	Description	Q'ty	Execution
1	243-70110-41	FLYWHEEL, compl.	1	
2	243-70121-11	EXCITER COIL, compl.	1	
3	243-71002-13	RING GEAR	1	
4	004-35062-50	SCREW and WASHER ASS'Y	2	
*5	255-70502-00	STARTING MOTOR ASS'Y Includes items 6 thru 9, 13 thru 27	1	
6	255-70561-08	ARMATURE ASS'Y	1	
7	210-70533-08	THRUST WASHER KIT	1	
8	210-70534-08	PINION STOPPER SET	1	
9	255-70580-08	YOKE ASS'Y	1	
*13	255-70505-08	REAR COVER ASS'Y Includes item 14	1	
14	210-70542-08	STARTER METAL	1	
*15	255-70531-08	BRUSH HOLDER ASS'Y Includes items 16, 17, 27	1	
16	228-70514-08	BRUSH (-)	2	
17	228-70516-08	BRUSH SPRING	4	
18	255-70521-08	PINION ASS'Y	1	
*19	255-70501-08	GEAR CASE ASS'Y Includes item 20	1	
20	210-70542-08	STARTER METAL	1	
21	255-70570-08	DUST COVER KIT	1	
22	243-70525-08	SHIFT LEVER KIT	1	
23	255-70515-08	MAGNETIC SWITCH ASS'Y	1	
24	207-70524-08	THROUGH BOLT	2	
25	228-70522-08	BOLT	2	
27	255-70551-08	BRUSH SET	1	
28	001-14083-00	BOLT and WASHER ASS'Y	2	
29	003-20080-00	SPRING WASHER	1	
30	002-28080-00	NUT	1	
31	226-75101-03	CLAMP	1	
32	004-35061-00	SCREW and WASHER ASS'Y	1	
33	056-60001-70	CLAMP	2	
34	001-13081-20	BOLT and WASHER ASS'Y	1	

FIG.14 ACCESSORIES GROUP

