



PARTS CATALOG

Robin

Generator

Model

RGD3310

 **FUJI HEAVY INDUSTRIES LTD.**

ISSUE EMD-GP1516

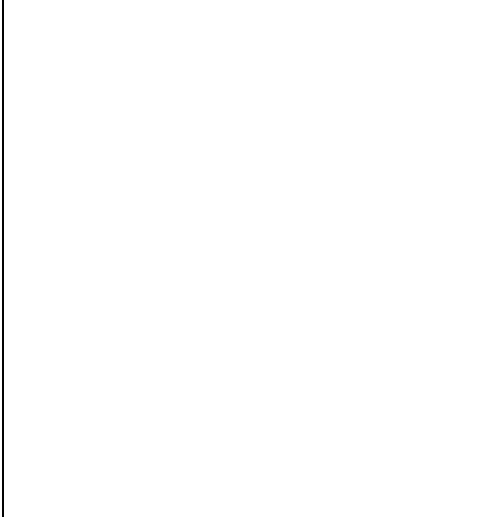
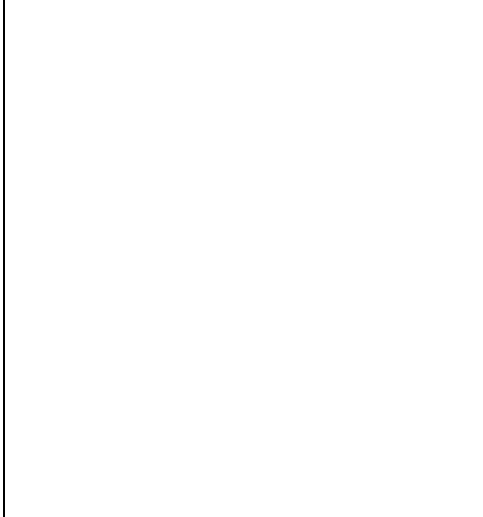
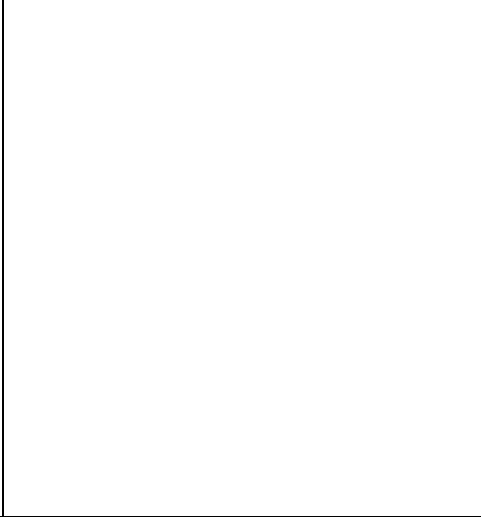
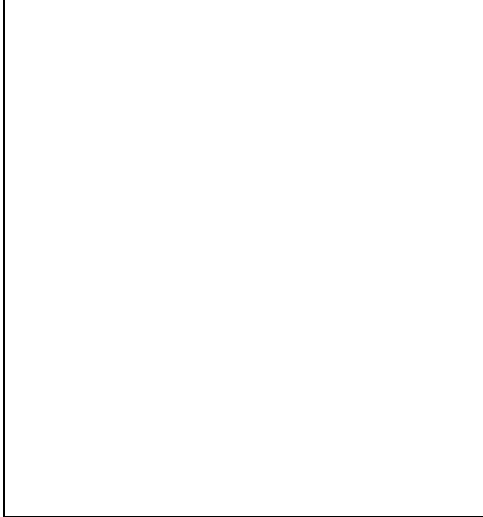
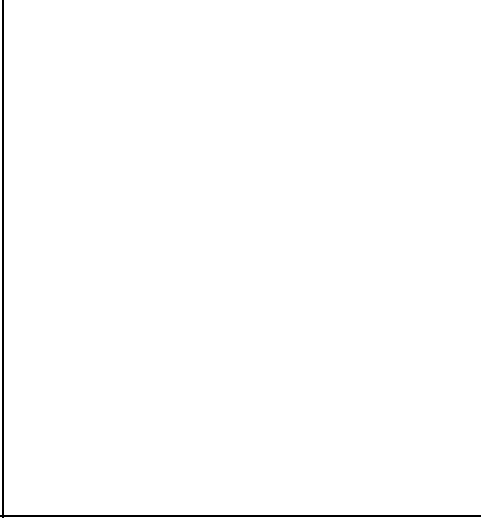
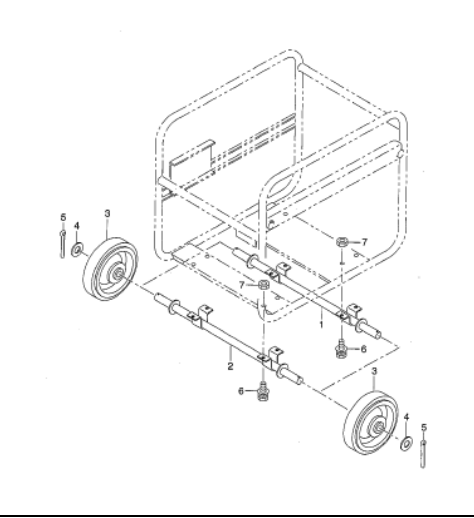
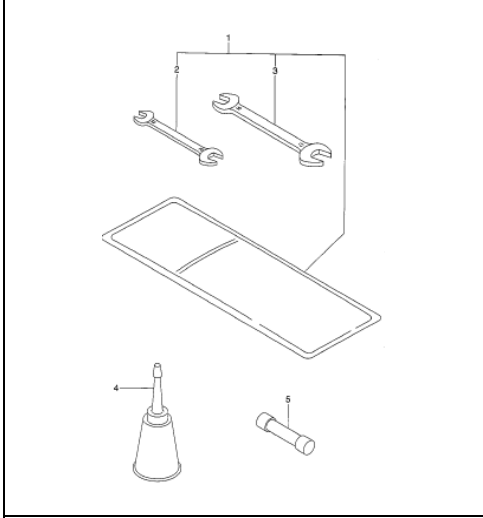
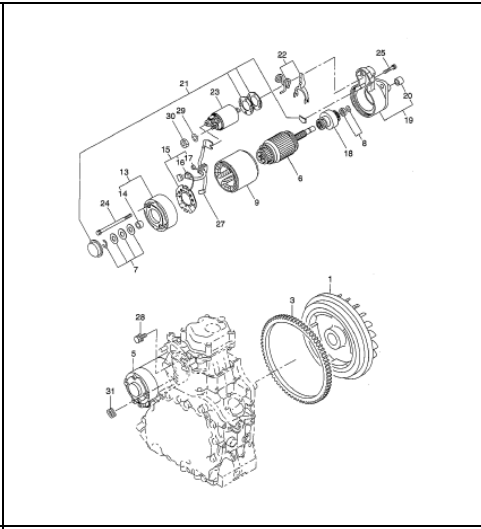
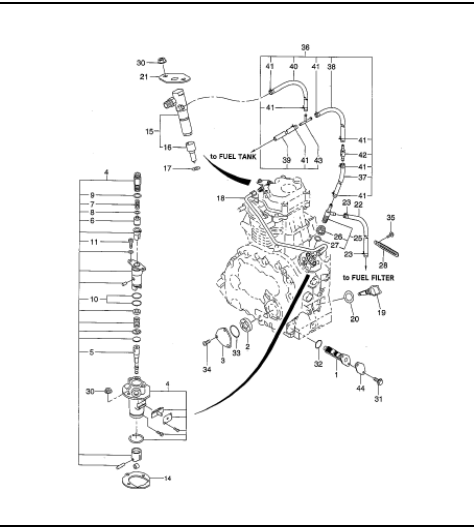
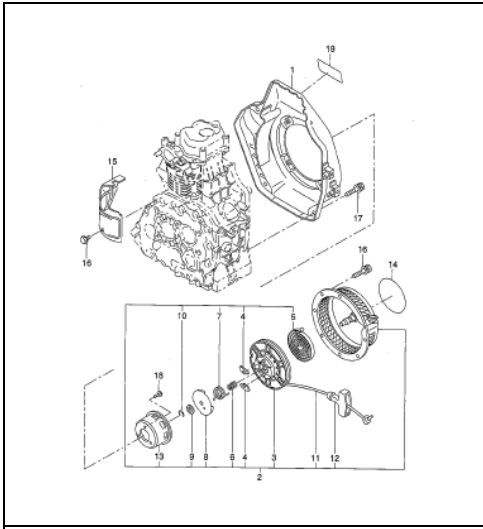


FIG.1 GENERATOR GROUP

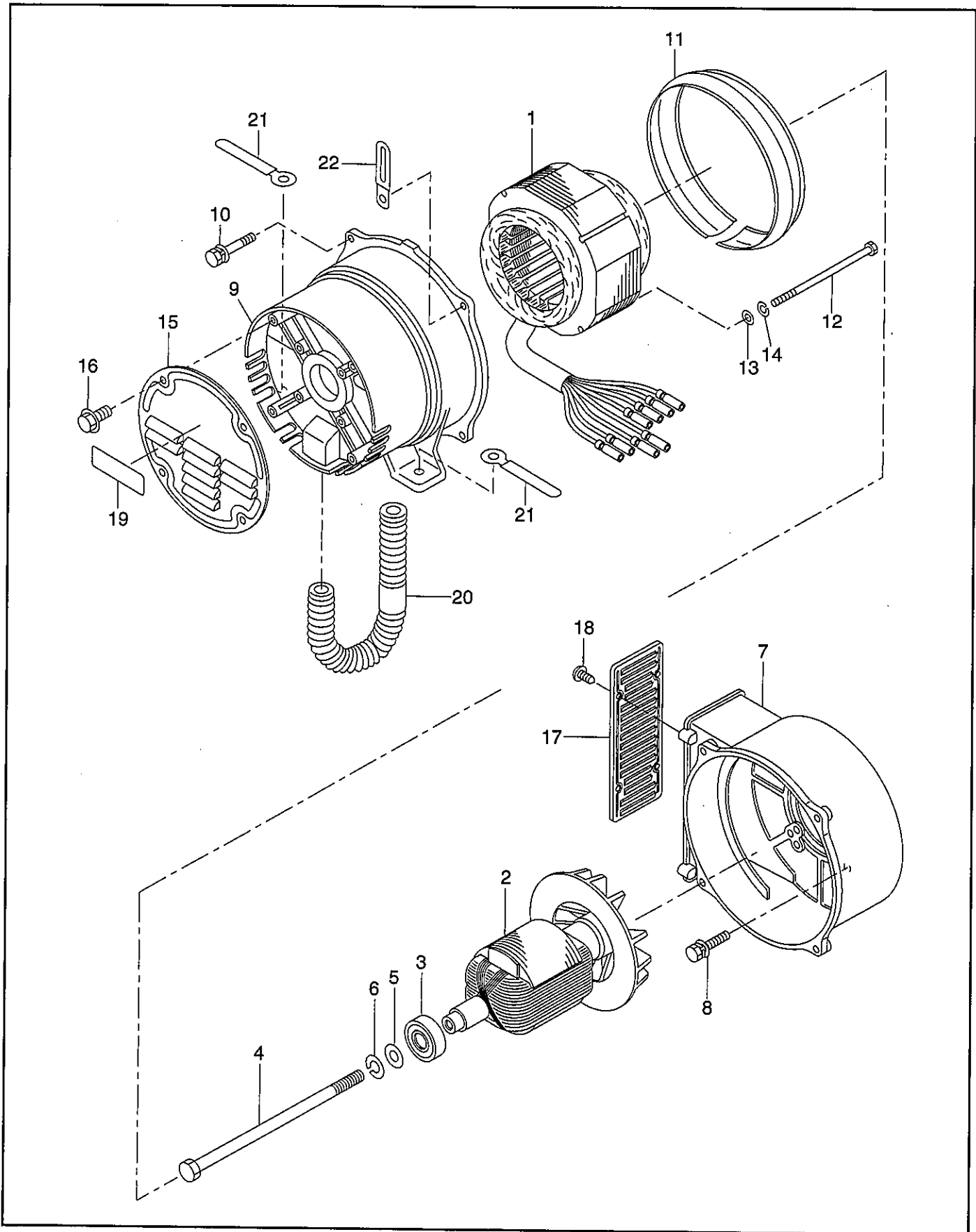


FIG.2 PIPE FRAME and FUEL TANK GROUP

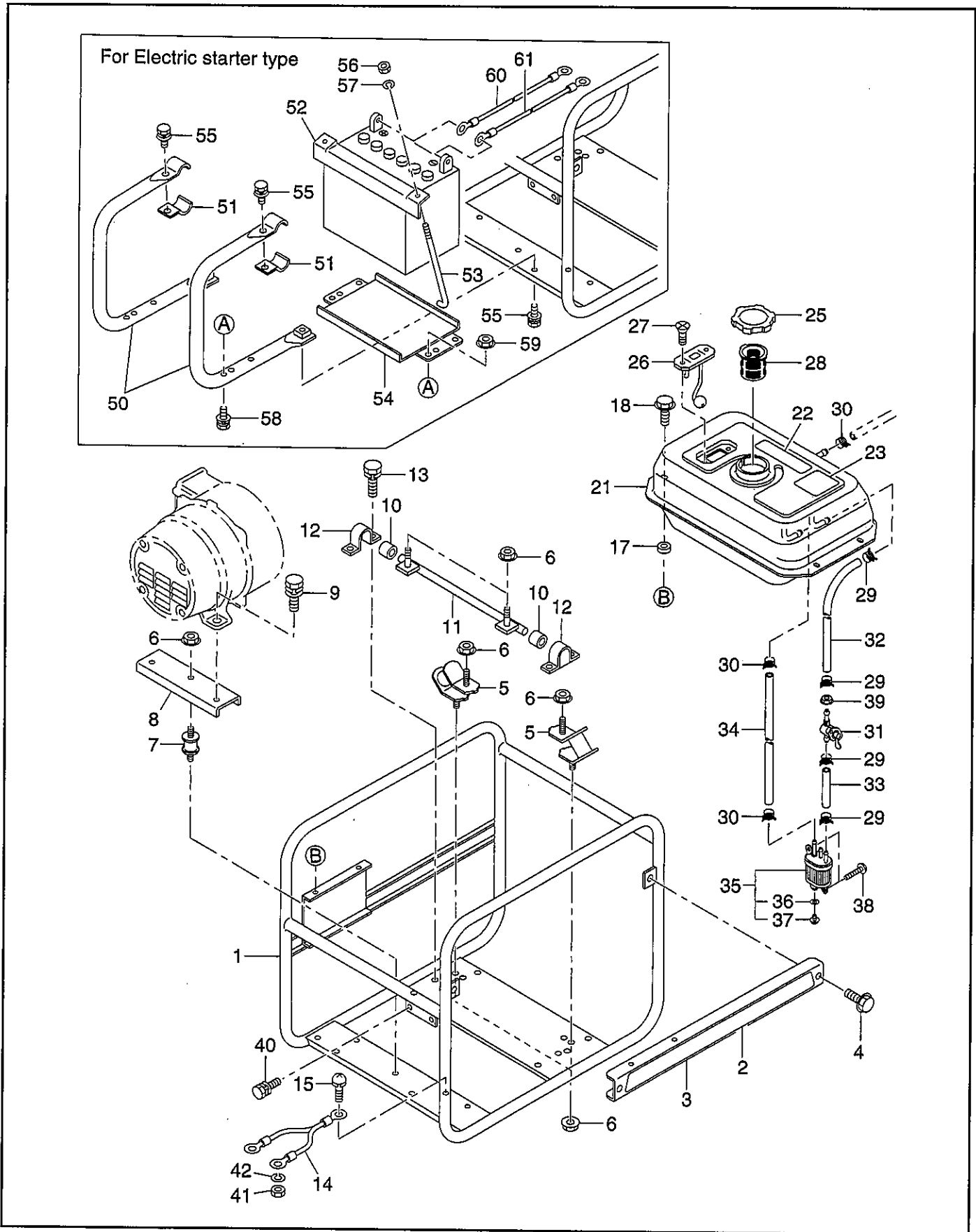


FIG.2 PIPE FRAME and FUEL TANK GROUP

Interchangeability

Ref. No.	Part Number	Description	Q'ty	Execution
1	391-31001-31	PIPE FRAME, compl.	1	
2	392-87101-03	LABEL (RGD3310)	1	
3	391-31101-21	SIDE PLATE, compl.	1	
4	011-00600-80	FLANGE BOLT	2	
5	391-37001-21	MOUNT, compl., engine side	2	
6	002-38080-00	FLANGE NUT	7	
7	391-37101-01	MOUNT, compl., generator side	1	
8	391-37500-21	GENERATOR BASE, compl.	1	
9	001-14082-50	BOLT and WASHER ASS'Y	2	
10	391-38001-03	RUBBER	2	
11	391-38000-01	SHAFT, stopper, compl.	1	
12	391-38500-01	STOPPER, compl.	2	
13	001-14061-60	BOLT and WASHER ASS'Y	4	
14	391-39001-21	EARTH WIRE, compl.	1	
15	376-39100-01	SCREW and WASHER ASS'Y (M5 × 10mm)	1	
17	391-39000-13	RUBBER, tank	4	
18	011-00602-20	FLANGE BOLT	4	
21	255-60210-01	FUEL TANK, compl.	1	
22	377-92500-03	LABEL, caution	1	
23	391-94002-03	LABEL, fuel only	1	
25	043-04300-15	FUEL TANK CAP, compl.	1	
26	064-80007-00	FUEL GAUGE, compl.	1	
27	014-50500-40	SCREW, counter head	2	
28	243-66101-01	FUEL FILTER	1	
29	056-11100-20	HOSE CLAMP	4	
30	056-10800-10	HOSE CLAMP	3	
31	235-64601-20	FUEL COCK ASS'Y	1	
32	085-10600-00	RUBBER PIPE (φ 6 × φ 12 × 180mm)	1	
33	085-10600-00	RUBBER PIPE (φ 6 × φ 12 × 70mm)	1	
34	085-14500-00	RUBBER PIPE (φ 4.5 × φ 9 × 260mm)	1	
*35	243-62101-20	FUEL FILTER ASS'Y Includes items 36 and 37	1	
36	228-62112-08	PACKING	1	
37	228-62111-08	PLUG	1	
38	011-00600-20	FLANGE BOLT	2	
39	002-38100-00	FLANGE NUT	1	
40	001-14061-60	BOLT and WASHER ASS'Y	3	
41	002-19040-00	NUT	1	
42	003-20040-00	SPRING WASHER	1	
50	391-33006-31	BATTERY FRAME, compl. For Electric starter type	2	
51	391-33007-31	CATCHER For Electric starter type	2	
52	391-33003-21	BATTERY STAY, compl. For Electric starter type	1	
53	391-33004-11	BATTERY BOLT, compl. For Electric starter type	2	
54	391-33008-31	BATTERY BASE, compl. For Electric starter type	1	
55	001-15082-00	BOLT and WASHER ASS'Y For Electric starter type	4	

FIG.3-1 CONTROL BOX (50/60Hz-220V) GROUP

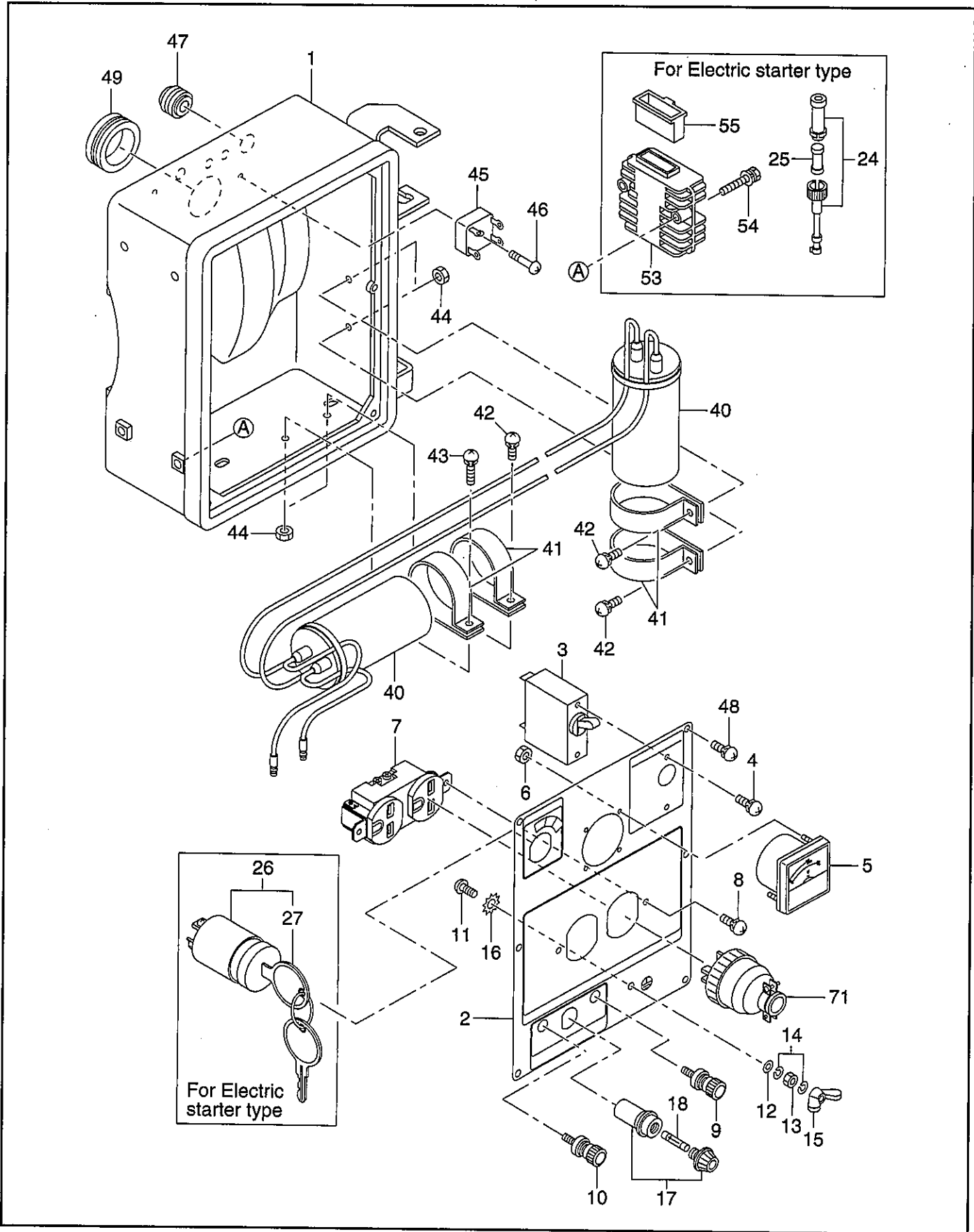


FIG.3-1 CONTROL BOX (50/60Hz-220V) GROUP

Interchangeability

Ref. No.	Part Number	Description	Q'ty	Execution
*1	392-76501-00	CONTROL BOX ASS'Y For Recoil starter type 50Hz Includes items 1 thru 18 and 40 thru 49	1	
*1	392-76507-00	CONTROL BOX ASS'Y For Electric starter type 50Hz Includes items 1 thru 18,24 thru 27, 40 thru 49 and 53 thru 55	1	
*1	392-76503-00	CONTROL BOX ASS'Y For Recoil starter type 60Hz Includes items 1 thru 18 and 40 thru 49	1	
1	391-73003-01	CONTROL BOX, compl.	1	
*2	392-41001-10	CONTROL PANEL A ASS'Y Includes items 2 thru 18 For Recoil starter type 50Hz	1	
*2	392-41022-10	CONTROL PANEL A ASS'Y Includes items 2 thru 18 For Electric starter type 50Hz and 24 thru 27	1	
*2	392-41018-10	CONTROL PANEL A ASS'Y Includes items 2 thru 18 For Recoil starter type 60Hz	1	
2	391-41001-01	CONTROL PANEL, compl. For Recoil starter type	1	
2	391-41015-01	CONTROL PANEL, compl. For Electric starter type	1	
3	392-43001-03	CIRCUIT BREAKER (12A) 50Hz	1	
3	392-43006-03	CIRCUIT BREAKER (14A) 60Hz	1	
4	004-35030-60	SCREW and WASHER ASS'Y	2	
5	391-47902-01	AC VOLTMETER (200V CLASS)	1	
6	002-17030-00	NUT	2	
7	378-45736-08	AC RECEPTACLE (250V-15A)	1	
8	004-35041-00	SCREW and WASHER ASS'Y	2	
9	363-45701-08	TERMINAL BOLT (color : RED)	1	
10	363-45700-08	TERMINAL BOLT (color : BLACK)	1	
11	356-49907-08	SCREW (M5 × 14mm)	1	
12	353-49903-08	WASHER	1	
13	353-49902-08	NUT (M5)	1	
14	332-00050-08	SPRING WASHER	2	
15	353-49901-08	WING NUT(M5)	1	
16	003-30050-00	LOCK WASHER	1	
17	320-59855-08	FUSE HOLDER (DC)	1	
18	008-02103-00	FUSE(10A)	1	
24	385-45517-08	FUSE HOLDER (250V-10A) For Electric starter type	1	
25	385-45518-08	FUSE (15A) For Electric starter type	1	
*26	066-00003-30	SWITCH For Electric starter type Includes item 27	1	
27	066-00099-80	KEY	2	
40	392-76301-01	CONDENSER (20 μ F × 2)	1	
41	30G-47605-08	CONDENSER BRACKET	4	
42	004-35041-00	SCREW and WASHER ASS'Y	3	
43	389-59989-08	SCREW and WASHER ASS'Y (M4 × 16mm)	1	
44	002-17040-00	NUT	4	
45	353-45804-08	DIODE STACK ASS'Y	1	
46	015-00400-70	TAPPING SCREW	1	

FIG.3-1 CONTROL BOX (50/60Hz-220V) GROUP

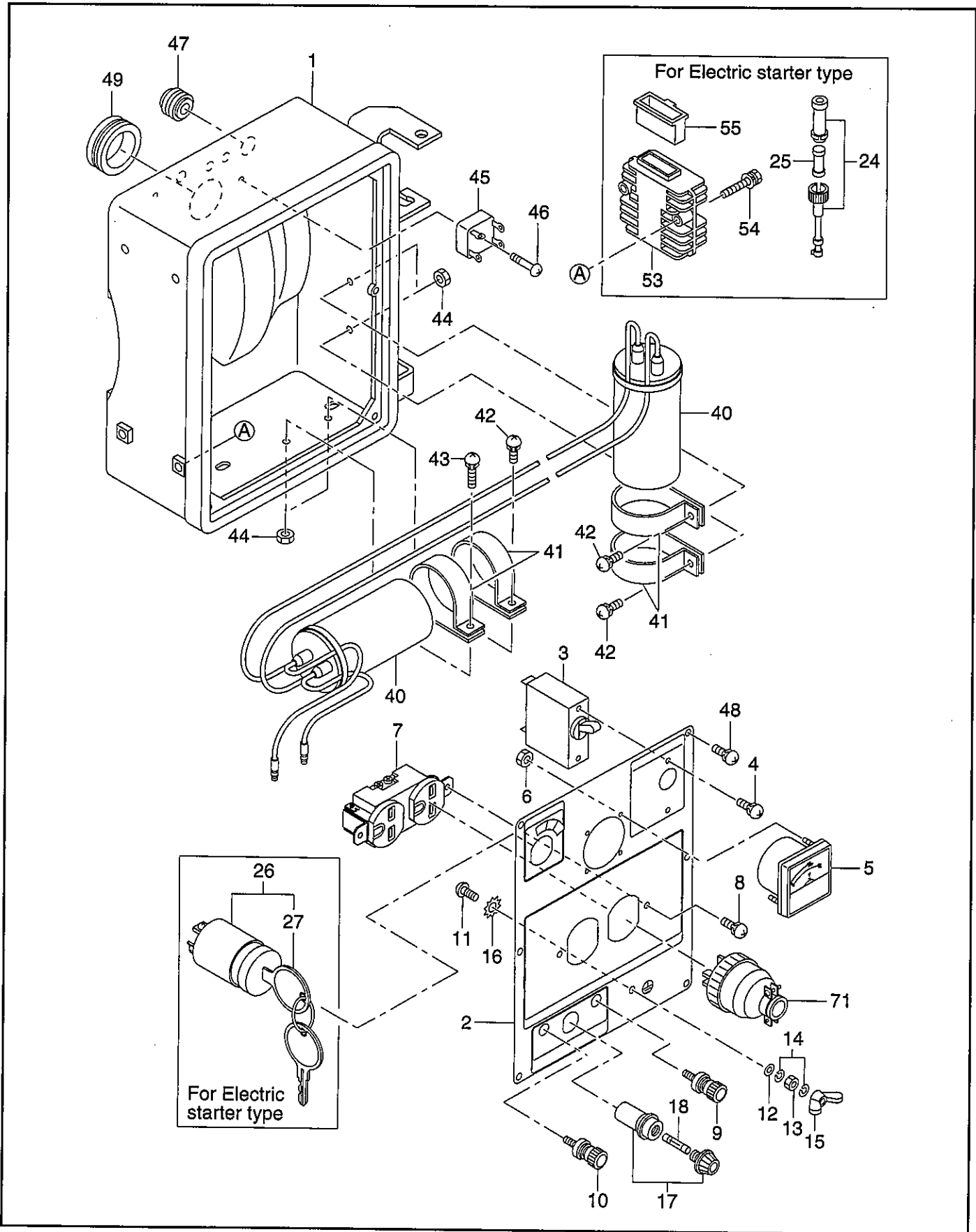


FIG.3-2 CONTROL BOX (60Hz-110V) GROUP

Interchangeability

Ref. No.	Part Number	Description	Q'ty	Execution
*1	392-76502-00	CONTROL BOX ASS'Y Includes items 1 thru 21, 28 and 40 thru 49	1	
1	391-73003-01	CONTROL BOX, compl.	1	
*2	392-41034-10	CONTROL PANEL A ASS'Y Includes items 2 thru 21 and 28	1	
2	391-41017-01	CONTROL PANEL, compl.	1	
3	392-43003-03	CIRCUIT BREAKER (27A)	1	
4	004-35030-60	SCREW and WASHER ASS'Y	2	
5	391-47802-01	AC VOLTMETER (120V CLASS)	1	
6	002-17030-00	NUT	2	
7	378-45737-08	AC RECEPTACLE (125V-15A x 2)	1	
8	004-35041-00	SCREW and WASHER ASS'Y	2	
9	363-45701-08	TERMINAL BOLT (color : RED)	1	
10	363-45700-08	TERMINAL BOLT (color : BLACK)	1	
11	356-49907-08	SCREW (M5 x 14mm)	1	
12	353-49903-08	WASHER	1	
13	353-49902-08	NUT (M5)	1	
14	332-00050-08	SPRING WASHER	2	
15	353-49901-08	WING NUT(M5)	1	
16	003-30050-00	LOCK WASHER	1	
17	320-59855-08	FUSE HOLDER (DC)	1	
18	008-02103-00	FUSE (10A)	1	
19	353-45703-08	AC RECEPTACLE (250V-30A)	1	
20	353-49905-08	SCREW (M3.5 x 8mm)	2	
21	326-00335-08	SPRING WASHER	2	
28	376-92202-03	LABEL, voltage	1	
40	392-76301-01	CONDENSER (20 μ F x 2)	1	
41	30G-47605-08	CONDENSER BRACKET	4	
42	004-35041-00	SCREW and WASHER ASS'Y	3	
43	389-59989-08	SCREW and WASHER ASS'Y (M4 x 16mm)	1	
44	002-17040-00	NUT	4	
45	353-45804-08	DIODE STACK ASS'Y	1	
46	015-00400-70	TAPPING SCREW	1	
47	391-49003-03	GROMMET	1	
48	353-49904-08	TAPPING SCREW (M4 x 10mm)	6	
49	389-89001-03	GROMMET	1	
72	358-95002-03	PLUG (125V-15A)	2	
73	391-95001-03	PLUG (250V-30A)	1	

FIG.3-3 CONTROL BOX (60Hz-110V/220V) GROUP

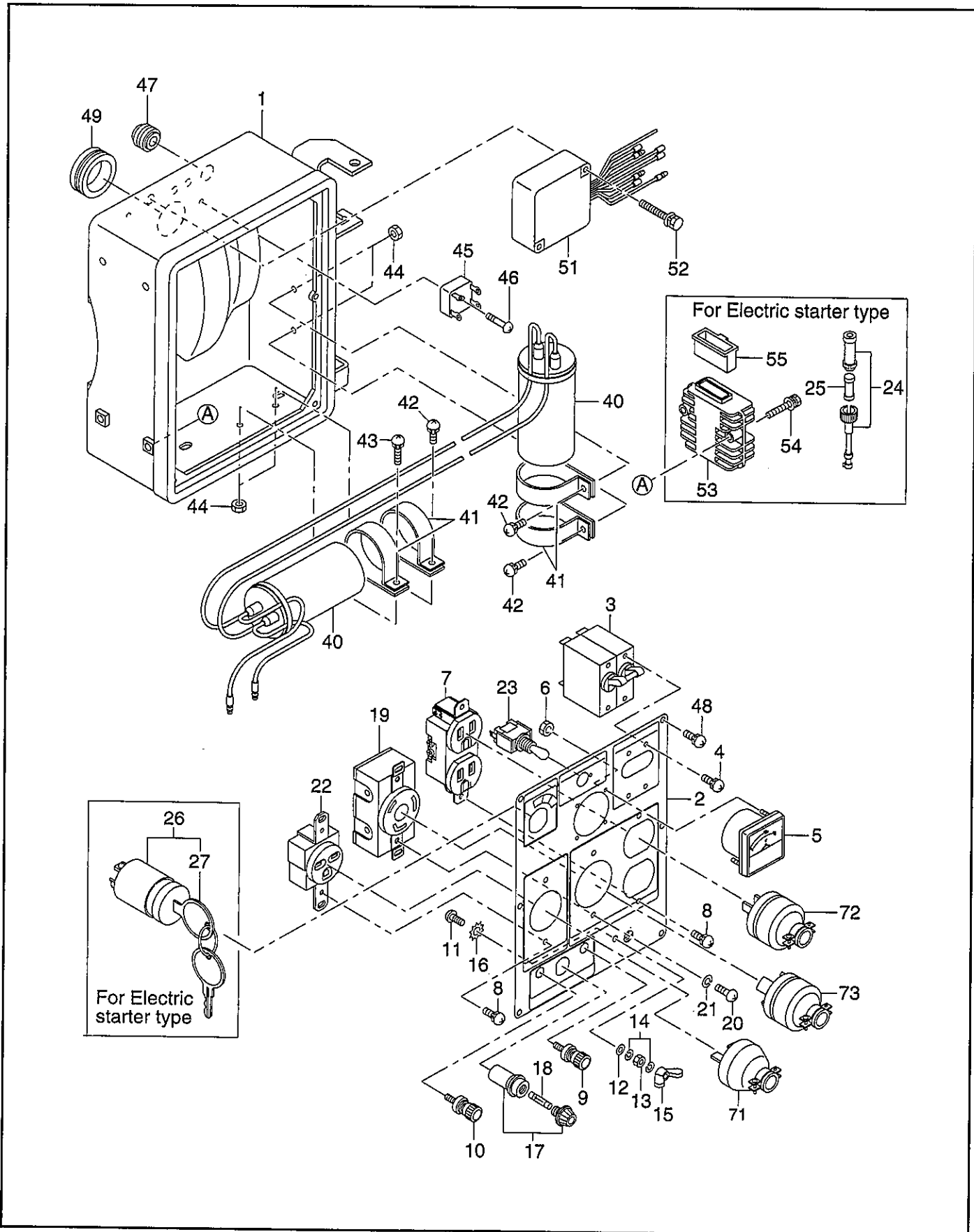


FIG.3-3 CONTROL BOX (60Hz-110V/220V) GROUP

④Interchangeability

Ref. No.	Part Number	Description	Q'ty	Execution
*1	392-76504-00	CONTROL BOX ASS'Y For Recoil starter type Includes items 1 thru 23,40 thru 49,51 and 52	1	
*1	392-76505-00	CONTROL BOX ASS'Y For Electric starter type Includes items 1 thru 27,40 thru 49 and 51 thru 55	1	
1	391-73003-01	CONTROL BOX, compl.	1	
*2	392-41002-10	CONTROL PANEL ASS'Y For Recoil starter type Includes items 1 thru 23	1	
*2	392-41046-10	CONTROL PANEL ASS'Y For Electric starter type Includes items 1 thru 27	1	
2	391-41002-01	CONTROL PANEL A ASS'Y For Recoil starter type	1	
2	391-41034-11	CONTROL PANEL A ASS'Y For Electric starter type	1	
3	392-43002-03	CIRCUIT BREAKER(14A)	1	
4	004-35030-60	SCREW and WASHER ASS'Y	4	
5	391-47802-01	AC VOLTMETER (120V CLASS)	1	
6	002-17030-00	NUT	2	
7	378-45737-08	AC RECEPTACLE (125V-15A × 2)	1	
8	004-35041-00	SCREW and WASHER ASS'Y	4	
9	363-45701-08	TERMINAL BOLT (color : RED)	1	
10	363-45700-08	TERMINAL BOLT (color : BLACK)	1	
11	356-49907-08	SCREW (M5 × 14mm)	1	
12	353-49903-08	WASHER	1	
13	353-49902-08	NUT (M5)	1	
14	332-00050-08	SPRING WASHER	2	
15	353-49901-08	WING NUT (M5)	1	
16	003-30050-00	LOCK WASHER	1	
17	320-59855-08	FUSE HOLDER (DC)	1	
18	008-02103-00	FUSE (10A)	1	
19	353-45703-08	AC RECEPTACLE (250V-30A)	1	
20	353-49905-08	SCREW(M3.5 × 8mm)	2	
21	326-00335-08	SPRING WASHER	2	
22	378-45738-08	AC RECEPTACLE (250V-15A)	1	
23	391-45612-01	SWITCH ASS'Y	1	
24	385-45517-08	FUSE HOLDER (250V-10A) For Electric starter type	1	
25	385-45518-08	FUSE (15A) For Electric starter type	1	
*26	066-00003-30	SWITCH For Electric starter type Includes item 27	1	
27	066-00099-80	KEY	2	
40	392-76301-01	CONDENSER (20 μ F × 2)	1	
41	30G-47605-08	CONDENSER BRACKET	4	
42	004-35041-00	SCREW and WASHER ASS'Y	3	
43	389-59989-08	SCREW and WASHER ASS'Y (M4 × 16mm)	1	
44	002-17040-00	NUT	4	
45	353-45804-08	DIODE STACK ASS'Y	1	
46	015-00400-70	TAPPING SCREW	1	

FIG.3-3 CONTROL BOX (60Hz-110V/220V) GROUP

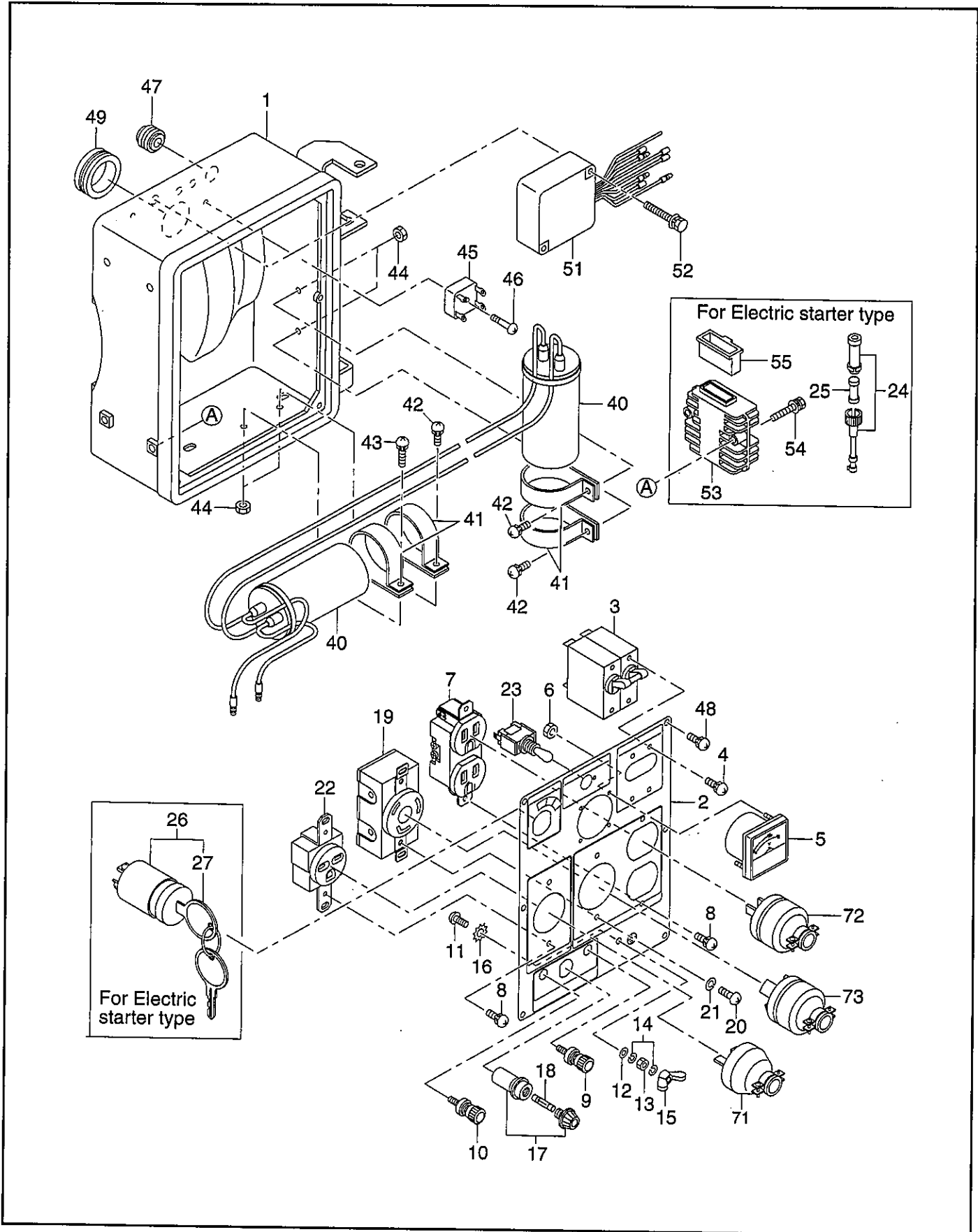


FIG.4 CRANKCASE GROUP

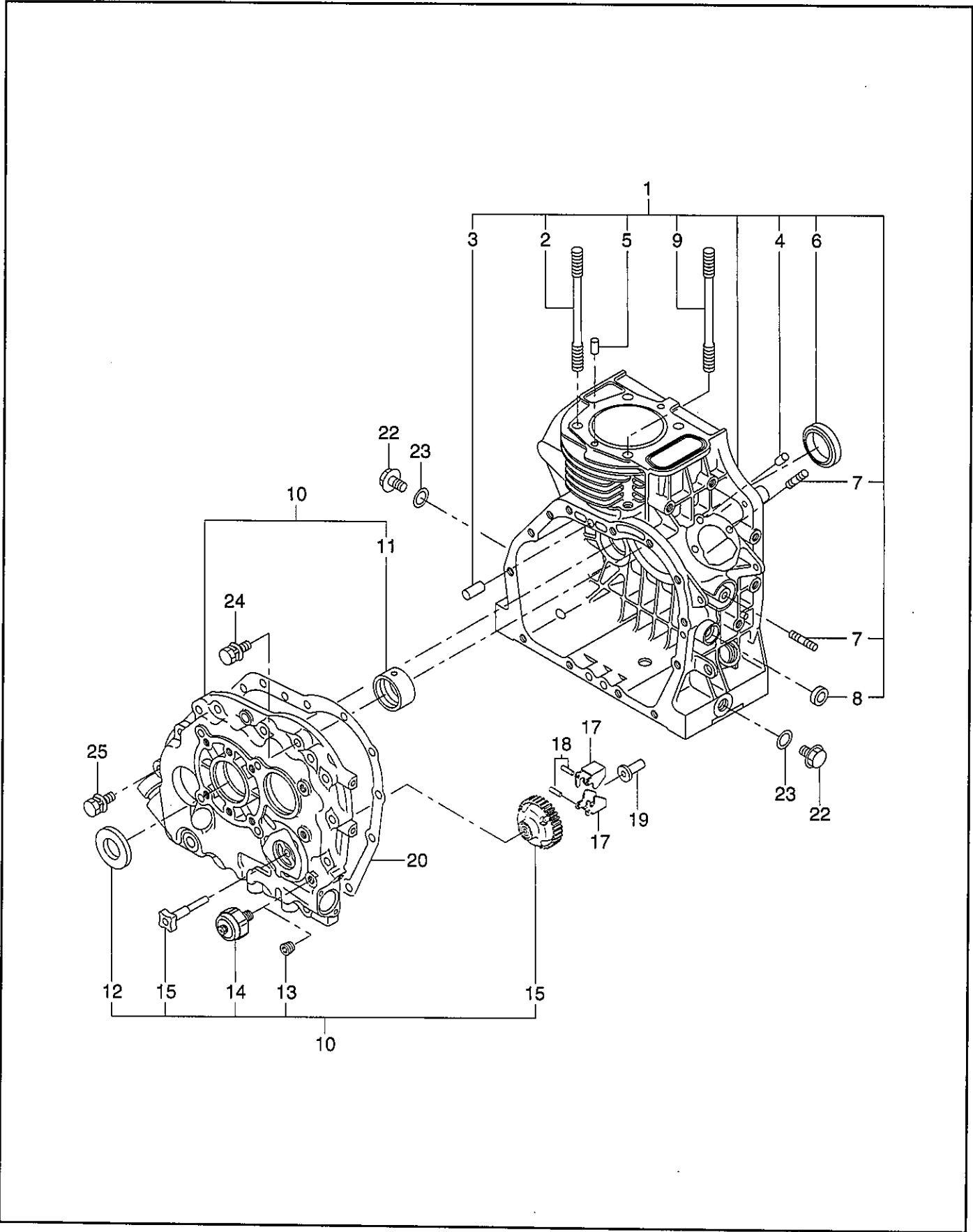


FIG.4 CRANKCASE GROUP

Interchangeability

Ref. No.	Part Number	Description	Q'ty	Execution
*1	244-10103-61	CRANKCASE, compl. For Recoil starter type Includes items 2 thru 9	1	
*1	244-10107-61	CRANKCASE, compl. For Electric starter type Includes items 2 thru 9	1	
2	244-16001-11	TENSION BOLT	3	
3	005-26081-80	DOWEL PIN	2	
4	031-00500-10	DOWEL PIN	1	
5	031-00600-10	DOWEL PIN	2	
6	044-03000-60	OIL SEAL ($\phi 30 \times \phi 48 \times 8\text{mm}$)	1	
7	001-37062-21	STUD	3	
8	044-00800-30	OIL SEAL($\phi 8 \times \phi 18 \times 7\text{mm}$)	1	
9	244-16002-11	TENSION BOLT	1	
*10	244-11002-61	MAIN BEARING COVER, compl. Without oil sensor Includes items 11 thru 13 and 15	1	
*10	244-11003-61	MAIN BEARING COVER, compl. With oil sensor Includes items 11,12,14 and 15	1	
11	243-15801-03	MAIN BEARING, STD.	1	
11	243-15802-03	MAIN BEARING, under size 0.25mm	1	
11	243-15803-03	MAIN BEARING, under size 0.50mm	1	
12	044-03000-30	OIL SEAL ($\phi 30 \times \phi 45 \times 8\text{mm}$)	1	
13	212-15008-13	PLUG Without oil sensor	1	
14	942-99513-00	SWITCH ASS'Y, oil pressure With oil sensor	1	
15	243-45011-07	GOVERNOR GEAR SHAFT SET	1	
17	220-41601-03	FLYWEIGHT	2	
18	030-73000-70	PIN	2	
19	205-41901-03	GOVERNOR SLEEVE	1	
20	243-15026-03	GASKET, bearing cover	1	
22	040-11400-30	PLUG	2	
23	021-11400-20	GASKET	2	
24	001-13083-50	BOLT and WASHER ASS'Y	12	
25	001-13084-00	BOLT and WASHER ASS'Y	1	
*	256-99001-07	GASKET SET Includes items Fig. 4-20, 23 Fig. 5-7, 8 Fig. 8-6, 12, 13 Fig. 11-20	1	

FIG.5 CYLINDER HEAD GROUP

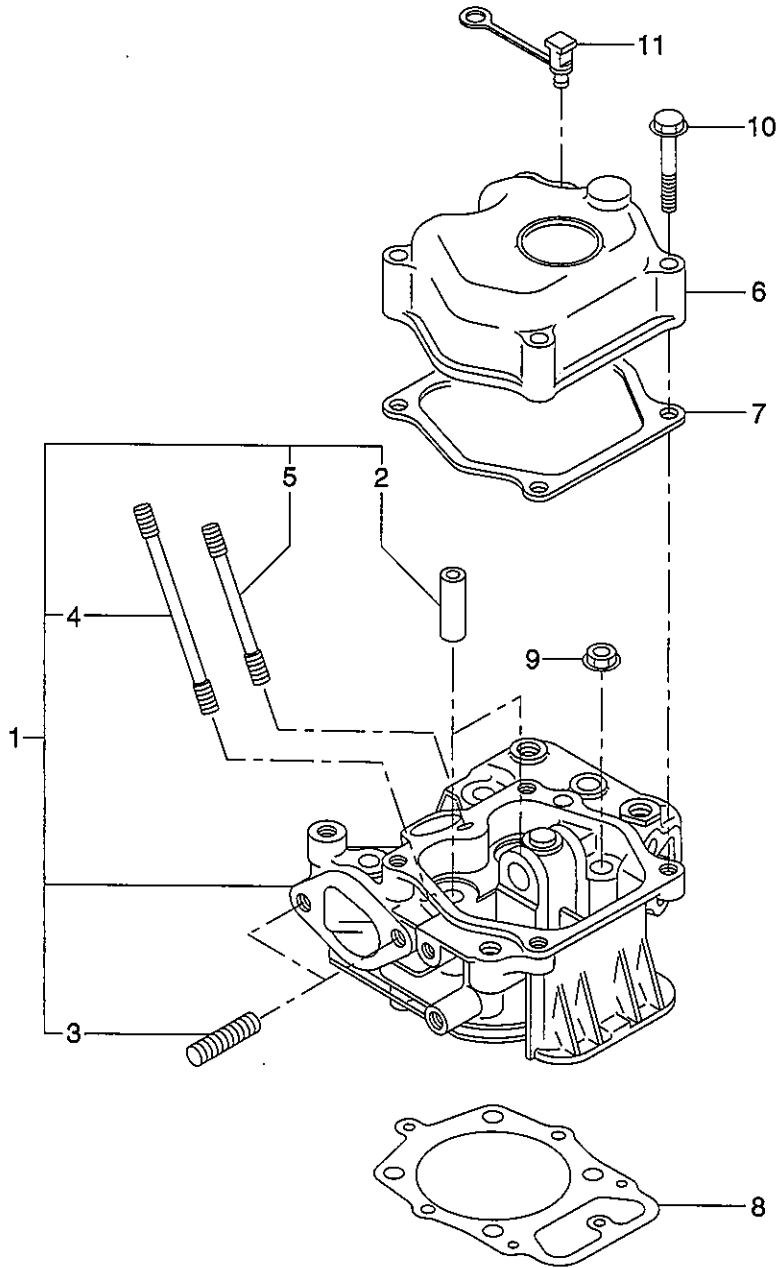


FIG.6 CRANKSHAFT and PISTON GROUP

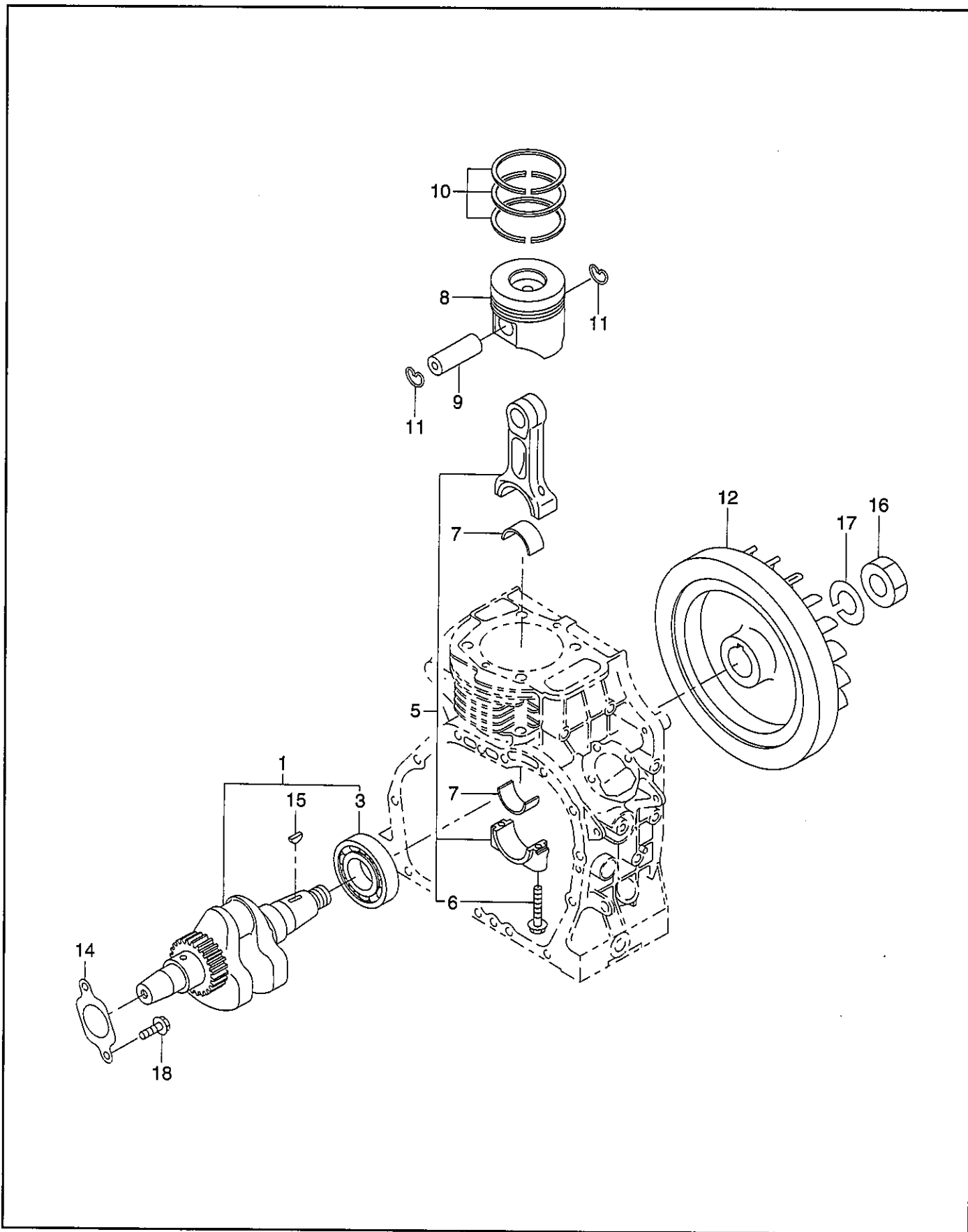


FIG.6 CRANKSHAFT and PISTON GROUP

Interchangeability

Ref. No.	Part Number	Description	Q'ty	Execution
*1	244-20203-21	CRANKSHAFT, compl. Includes item 3	1	
3	060-03500-20	BALL BEARING	1	
*5	243-22510-00	CONNECTING ROD ASS'Y Includes item 6	1	
6	243-23002-03	CONNECTING ROD BOLT	2	
7	243-22801-03	LARGE END BEARING, STD.	2	
7	243-22802-03	LARGE END BEARING, under size 0.25mm	2	
7	243-22803-03	LARGE END BEARING, under size 0.50mm	2	
8	244-23401-13	PISTON, STD.	1	
8	244-23402-13	PISTON, over size 0.25mm	1	
8	244-23403-13	PISTON, over size 0.50mm	1	
9	243-23301-03	PISTON PIN	1	
10	244-23501-27	PISTON RING SET, STD.	1	
10	244-23502-27	PISTON RING SET, over size 0.25mm	1	
10	244-23503-27	PISTON RING SET, over size 0.50mm	1	
11	056-52000-30	CLIP	2	
12	243-22410-13	FLYWHEEL For Recoil starter type	1	
14	243-25001-03	THRUST WASHER(t=0.8)	1	select one piece only
14	243-25002-03	THRUST WASHER(t=1.0)	1	
14	243-25003-03	THRUST WASHER(t=1.2)	1	
15	032-30300-10	WOODRUFF KEY	1	
16	002-18180-00	NUT	1	
17	003-20180-00	SPRING WASHER	1	
18	011-00600-10	FLANGE BOLT	2	

FIG.7 CAMSHAFT and VALVE ROCKER GROUP

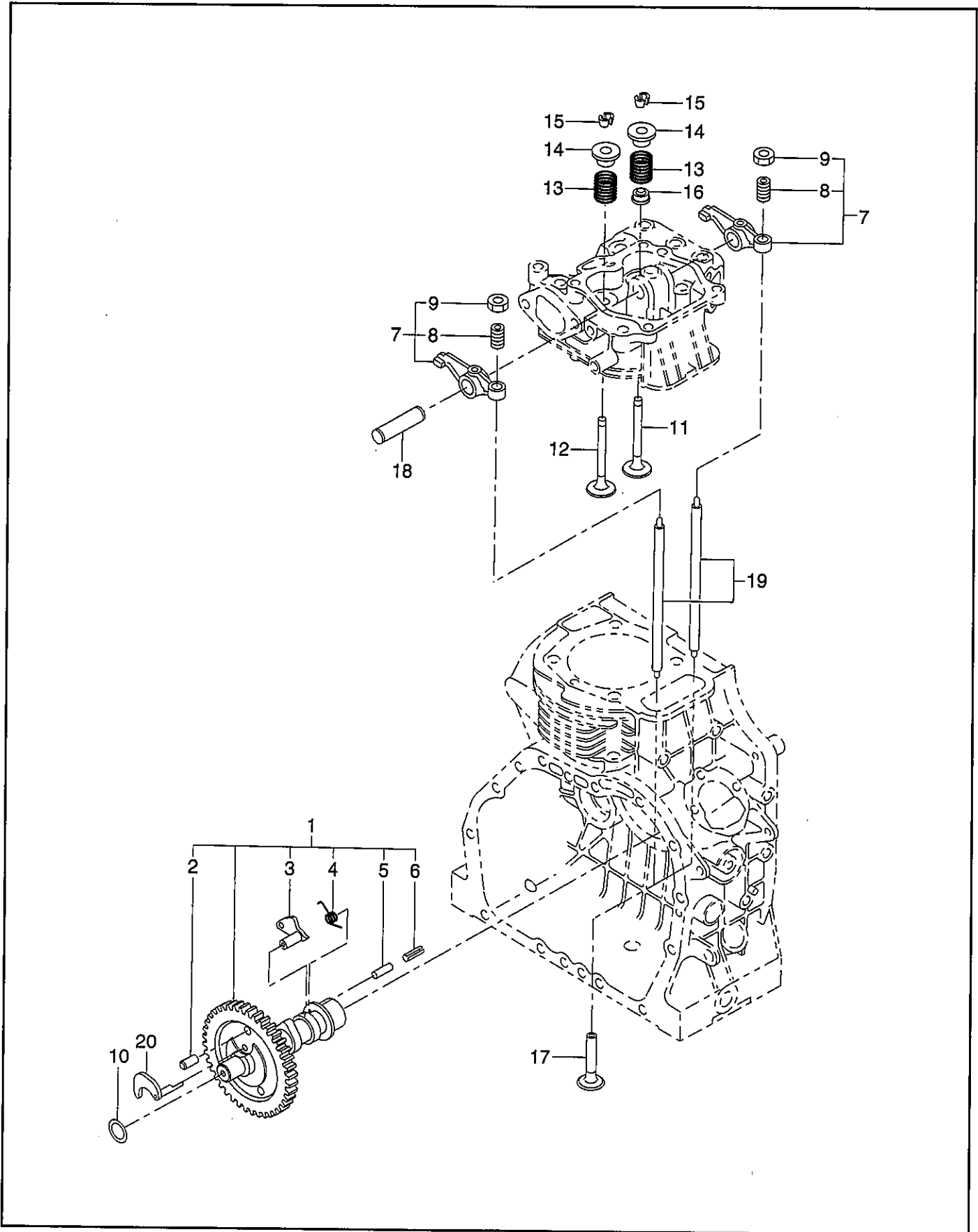


FIG.7 CAMSHAFT and VALVE ROCKER GROUP

Ref. No.	Part Number	Description	Q'ty	Interchangeability	
					Execution
*1	255-31703-01	CAMSHAFT, compl. Includes items 1 thru 6	1		
2	005-26081-80	DOWEL PIN	1		
3	243-35505-03	RELEASE LEVER	1		
4	243-35021-03	SPRING, RELEASE	1		
5	243-35022-03	SHAFT, RELEASE	1		
6	005-19031-00	SPRING PIN	1		
*7	243-36002-01	ROCKER ARM, compl. Includes items 8 and 9	2		
8	014-90800-21	ADJUSTING SCREW	2		
9	017-00800-90	NUT	2		
10	023-01900-20	SPACER(t=0.8) select one piece only	1		
10	023-01900-30	SPACER(t=1.0) select one piece only	1		
11	243-33401-23	INTAKE VALVE	1		
12	243-33501-23	EXHAUST VALVE	1		
13	243-33601-03	VALVE SPRING	2		
14	243-33701-13	SPRING RETAINER	2		
15	243-33801-13	RETAINER LOCK	4		
16	237-16008-01	STEM SEAL	1		
17	243-33301-03	TAPPET	2		
18	243-35034-03	ROCKER SHAFT	1		
19	243-35032-01	PUSH ROD, compl.	2		
20	243-35503-23	RELEASE LEVER	1		

FIG.8 MUFFLER and AIR CLEANER GROUP

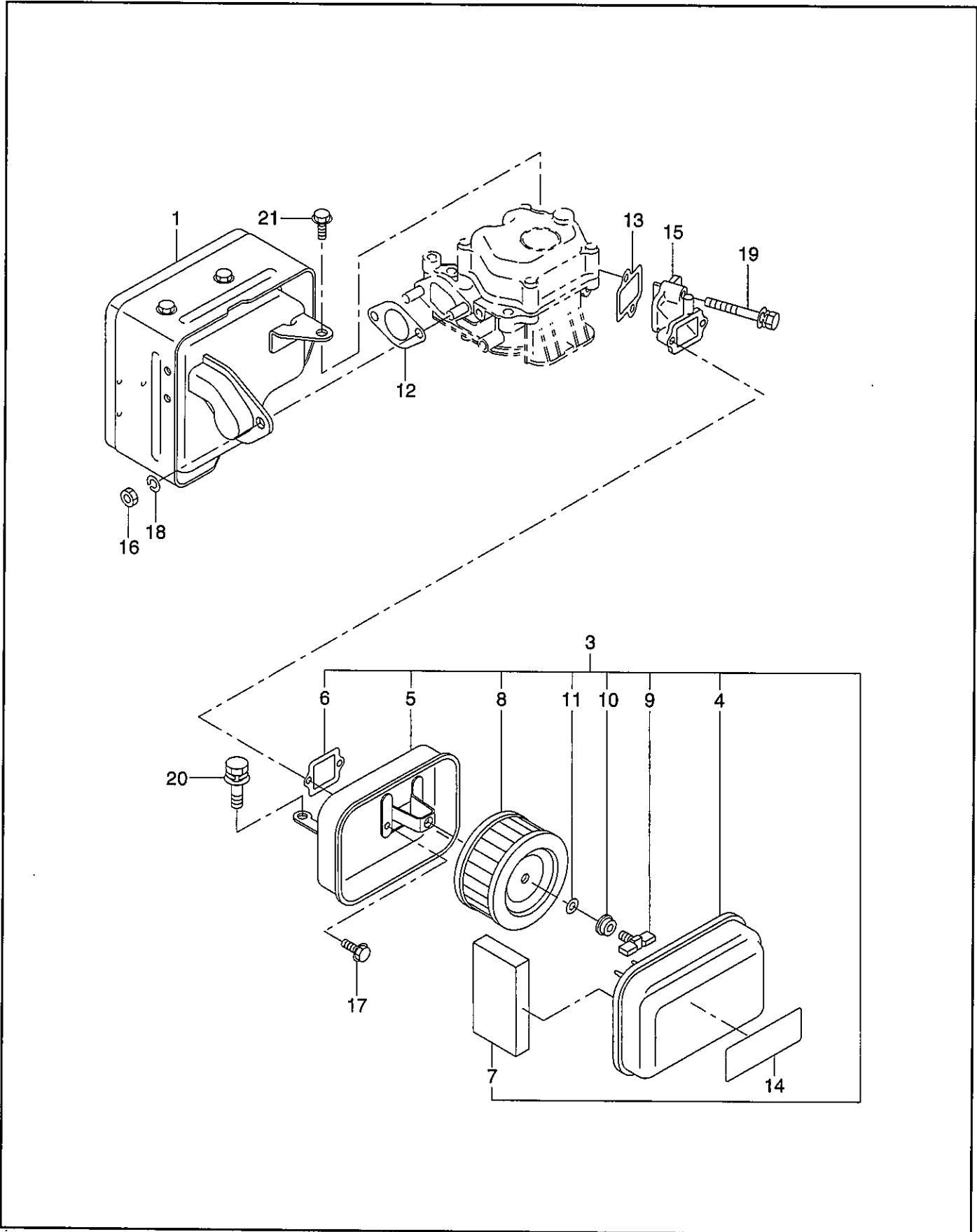


FIG.9 GOVERNOR OPERATION GROUP

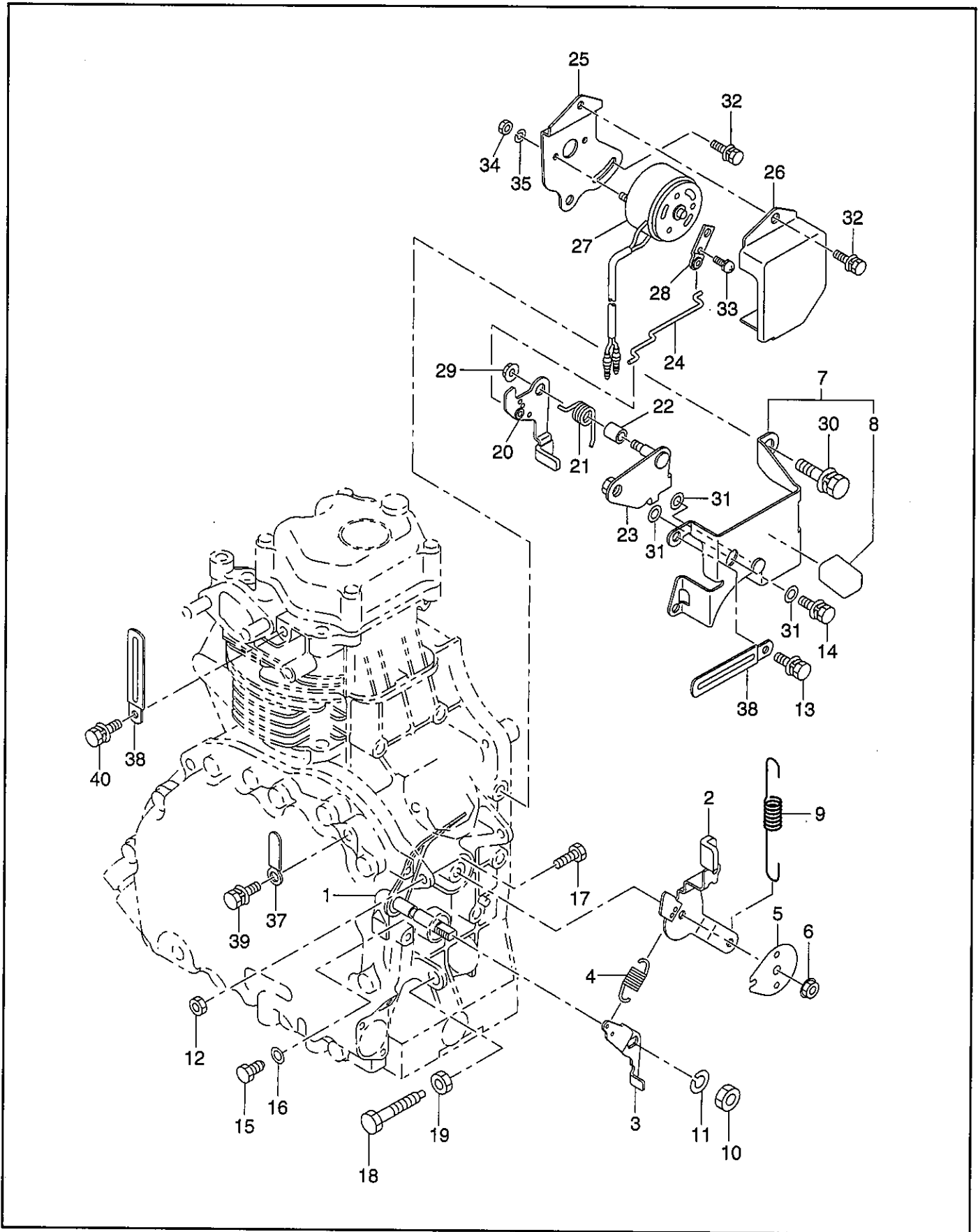


FIG.9 GOVERNOR OPERATION GROUP

Interchangeability

Ref. No.	Part Number	Description	Q'ty	Execution
1	243-42301-12	GOVERNOR LEVER UNIT	1	
2	243-43302-10	SPEED CONTROL ASS'Y	1	
3	243-42910-11	CONTROL LINK	1	
4	243-42502-03	GOVERNOR SPRING	1	
5	227-43501-13	STOP PLATE	1	
6	017-60600-30	SELF LOCK NUT	1	
*7	255-40161-01	CONTROL PANEL, compl. Includes item 8	1	
8	073-20045-80	LABEL, operation	1	
9	206-42801-13	ROD SPRING With oil sensor	1	
10	002-18080-00	NUT	1	
11	003-20080-00	SPRING WASHER	1	
12	002-18060-00	NUT	1	
13	001-13061-20	BOLT and WASHER ASS'Y	2	
14	001-13081-60	BOLT and WASHER ASS'Y	2	
15	243-45002-03	BOLT	1	
16	003-10060-00	WASHER	1	
17	001-65061-20	BOLT	1	
18	243-45501-10	SMOKE SET ASS'Y	1	
19	002-27100-00	NUT	1	
20	243-45701-30	STOP LEVER ASS'Y	1	
21	243-46002-03	RETURN SPRING	1	
22	243-45010-01	SPACER	1	
23	243-47001-11	BRACKET, stop lever, compl.	1	
24	243-45004-03	CONTROL ROD With oil sensor	1	
25	243-47010-01	BRACKET, solenoid, compl. With oil sensor	1	
26	243-47020-01	COVER, solenoid With oil sensor	1	
27	243-75003-00	ROTARY SOLENOID ASS'Y With oil sensor	1	
28	243-47031-01	LINK, solenoid, compl. With oil sensor	1	
29	002-38060-00	FLANGE NUT	1	
30	001-13081-60	BOLT and WASHER ASS'Y	1	
31	003-11080-00	WASHER	3	
32	001-14061-20	BOLT and WASHER ASS'Y With oil sensor	3	
33	243-75004-03	SCREW and WASHER ASS'Y (M3.5 × 6mm) With oil sensor	1	
34	002-17040-00	NUT With oil sensor	2	
35	003-20040-00	SPRING WASHER With oil sensor	2	
37	056-60001-70	CLAMP	1	
38	150-75201-03	CLAMP	2	
39	001-13081-60	BOLT and WASHER ASS'Y	1	
40	001-13061-20	BOLT and WASHER ASS'Y	1	

FIG.10 BLOWER HOUSING and RECOIL STARTER GROUP

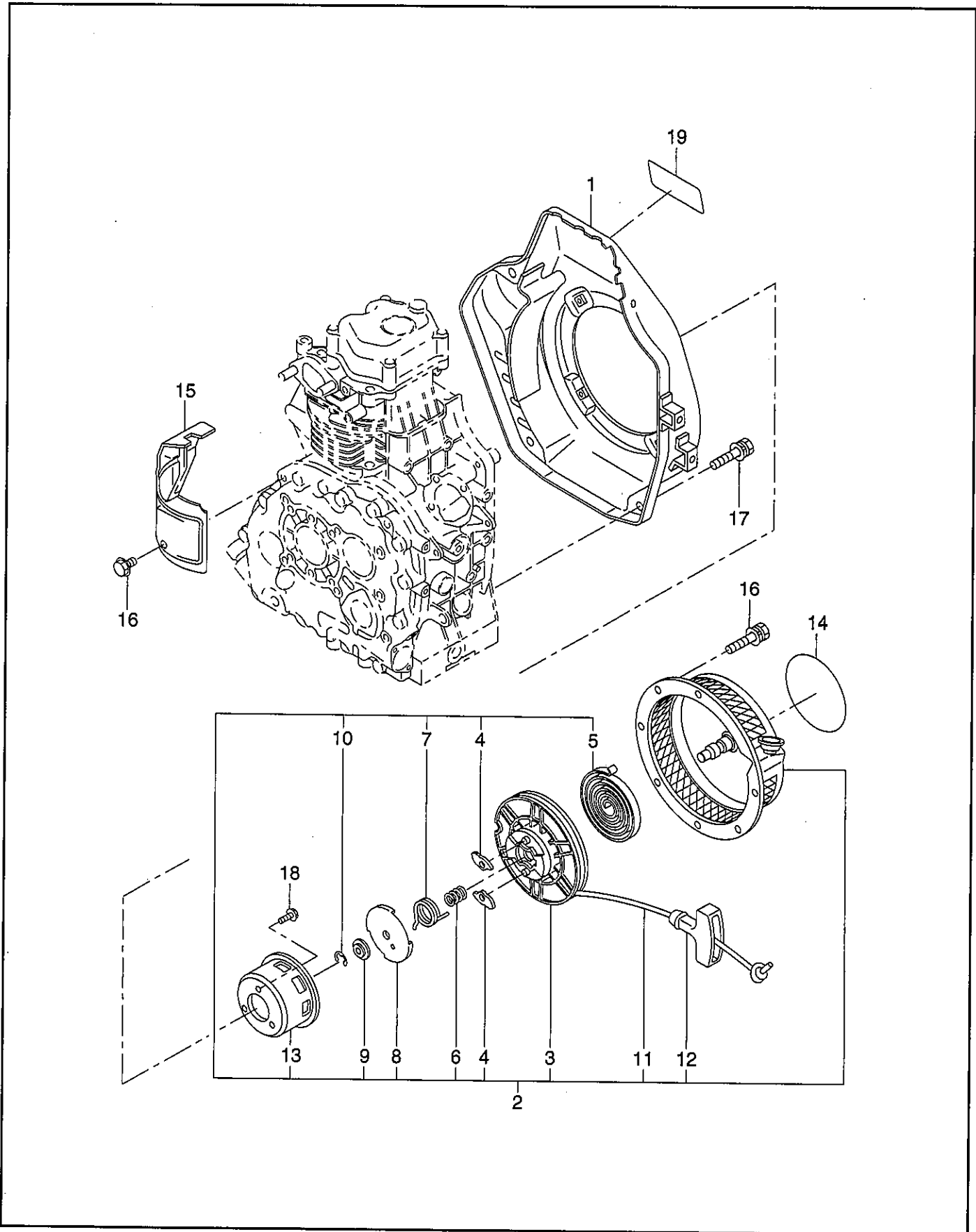


FIG.11 FUEL SYSTEM GROUP

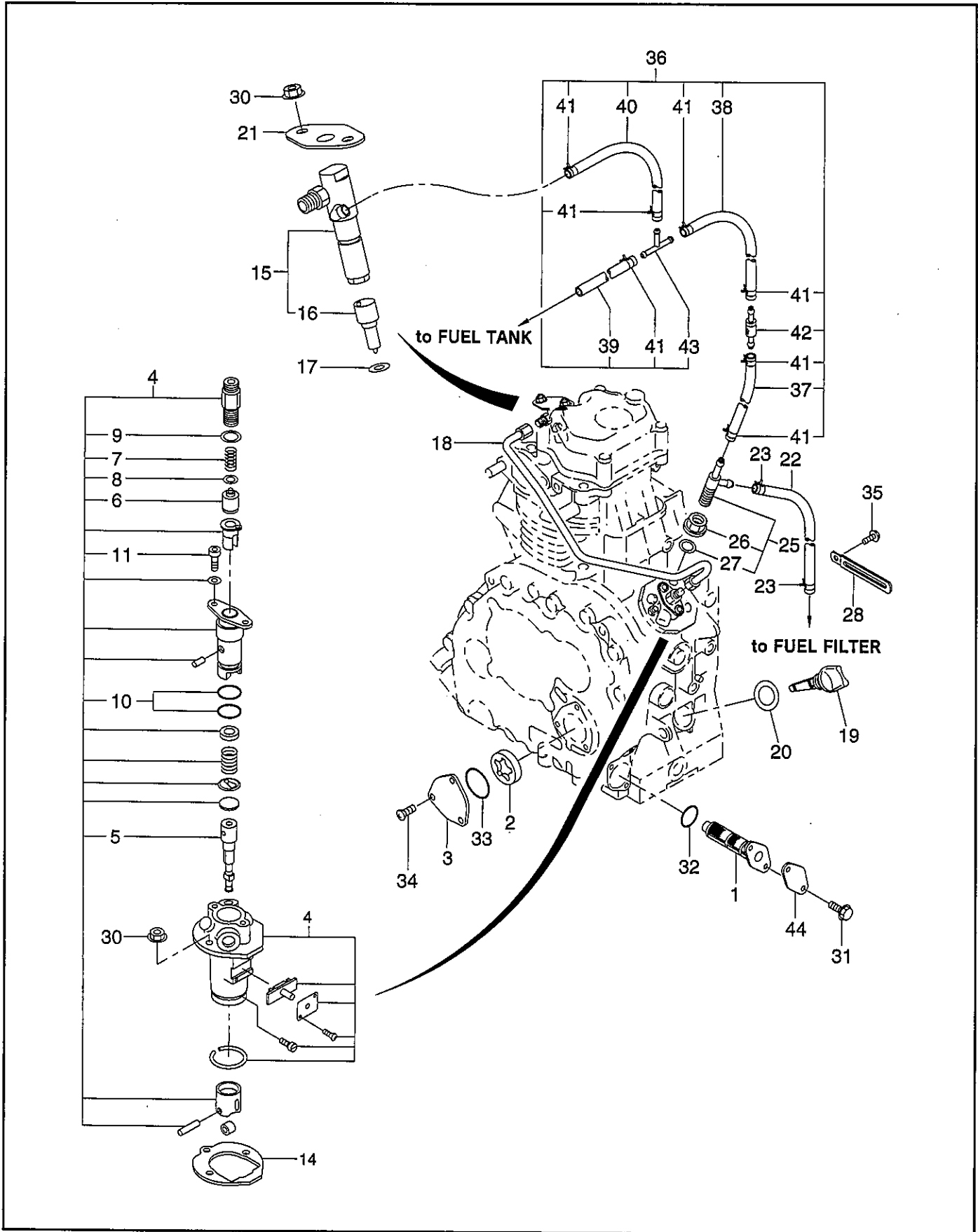


FIG.11 FUEL SYSTEM GROUP

Interchangeability

Ref. No.	Part Number	Description	Q'ty	Execution
1	243-64301-00	OIL FILTER ASS'Y	1	
2	228-63902-03	OIL PUMP, outer	1	
3	243-66020-01	COVER, oil pump	1	
*4	255-63103-00	INJECTION PUMP ASS'Y Includes items 5 thru 11	1	
5	243-63131-08	PLUNGER ASS'Y	1	
6	243-63103-08	DELIVERY VALVE	1	
7	243-63104-08	SPRING D.V.	1	
8	243-63105-08	GASKET	1	
9	243-63107-08	"O" RING	1	
10	243-63129-08	"O" RING	2	
11	243-63130-08	SCREW	2	
14	243-65001-03	GASKET, injection pump (t=0.1)	1	-select one pipce only
14	243-65002-03	GASKET, injection pump (t=0.2)	1	
14	243-65003-03	GASKET, injection pump (t=0.3)	1	
*15	243-63202-00	NOZZLE ASS'Y Includes item 16	1	
16	243-63204-08	NOZZLE	1	
17	228-65004-03	GASKET, nozzle	1	
18	243-63301-21	INJECTION PIPE, compl.	1	
19	214-63601-13	OIL GAUGE	2	
20	021-32000-10	GASKET	2	
21	243-66001-01	BRACKET, nozzle 1	1	
22	085-10600-00	RUBBER PIPE ($\phi 6 \times \phi 12 \times 250\text{mm}$)	1	
23	056-11100-20	HOSE CLAMP	2	
*25	243-66520-10	T-CONNECTOR ASS'Y Includes items 26, 27	1	
26	243-66521-08	NUT	1	
27	243-66506-08	PACKING	1	
28	150-75201-03	CLAMP	1	
30	002-38060-00	FLANGE NUT	4	
31	001-14062-00	BOLT and WASHER ASS'Y	2	
32	006-26202-03	"O" RING	1	
33	006-26103-30	"O" RING	1	
34	004-11061-60	SCREW	3	
35	001-10061-00	BOLT and WASHER ASS'Y	1	
*36	255-62606-11	FUEL PIPE 6, compl. Includes items 37 thru 43	1	
37	085-14500-00	RUBBER PIPE ($\phi 4.5 \times \phi 9 \times 95\text{mm}$)	1	
38	085-14500-00	RUBBER PIPE ($\phi 4.5 \times \phi 9 \times 180\text{mm}$)	1	
39	085-14500-00	RUBBER PIPE ($\phi 4.5 \times \phi 9 \times 60\text{mm}$)	1	
40	085-14500-00	RUBBER PIPE ($\phi 4.5 \times \phi 9 \times 170\text{mm}$)	1	
41	056-10800-10	HOSE CLAMP	7	
42	228-65032-13	CHECK VALVE	1	
43	255-65003-03	T-CONNECTOR, compl.	1	
44	255-65005-01	FILTER PLATE, compl.	1	

FIG.12 ELECTRICAL EQUIPMENT GROUP

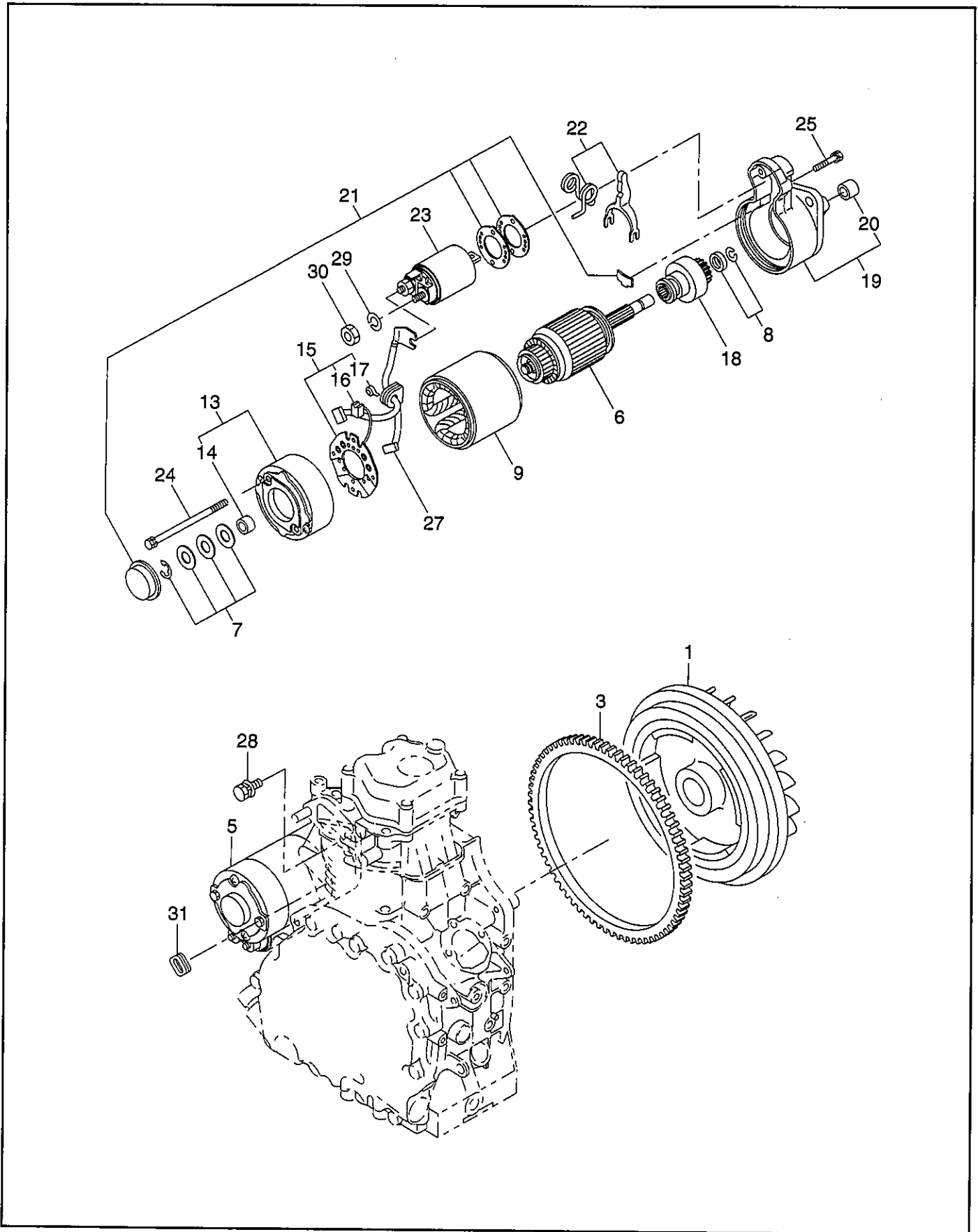


FIG.13 ACCESSORIES GROUP

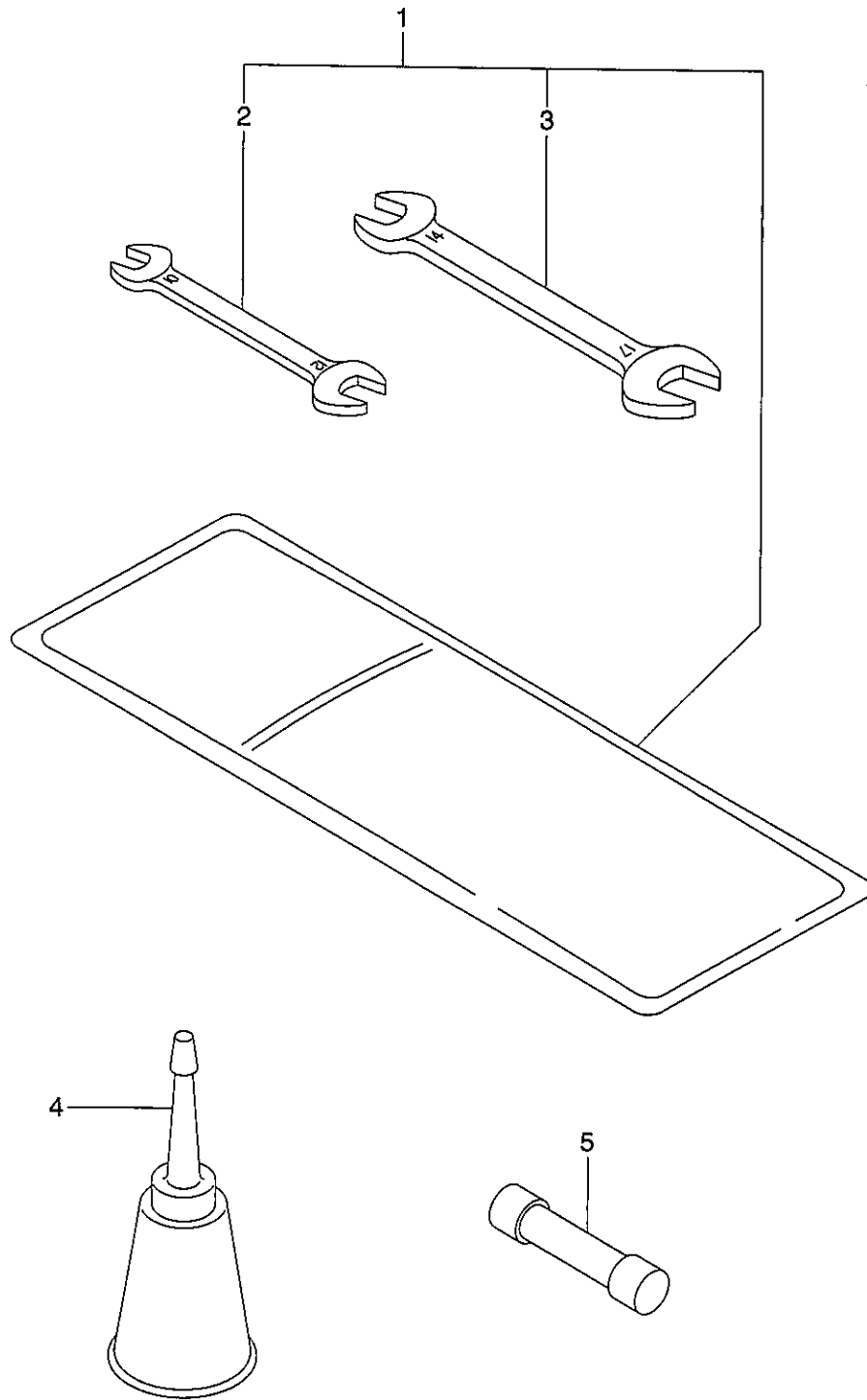


FIG.14 4-WHEEL KIT GROUP

