



# PARTS CATALOG

# Robin

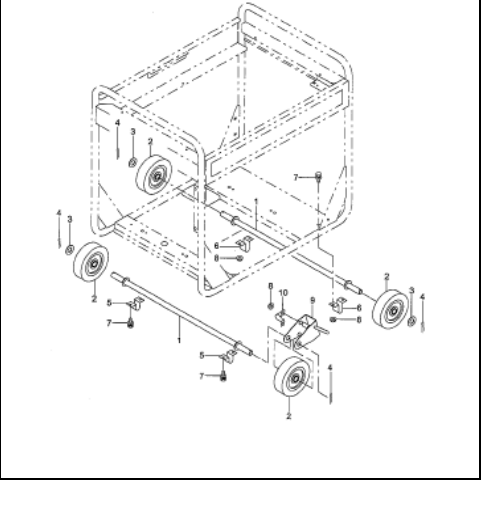
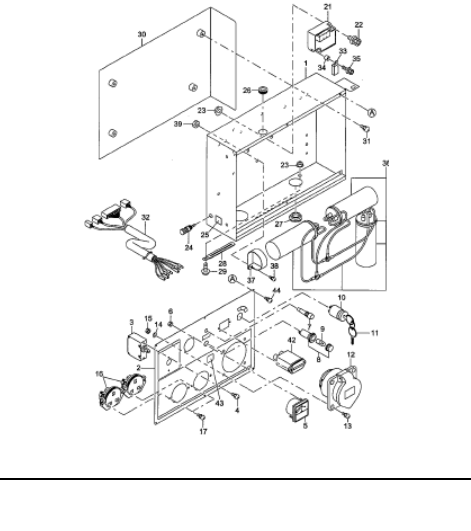
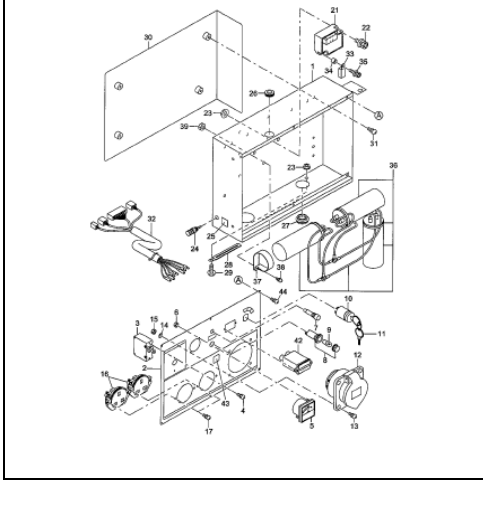
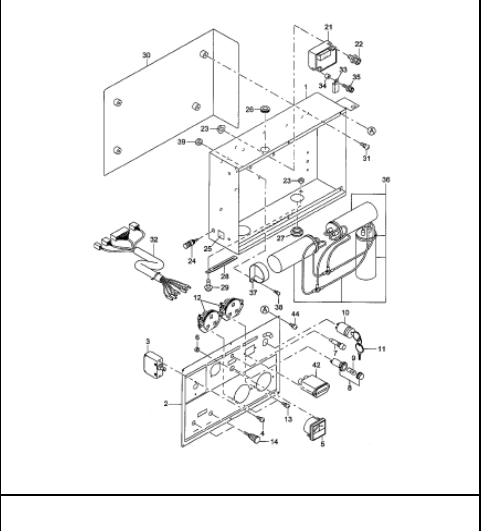
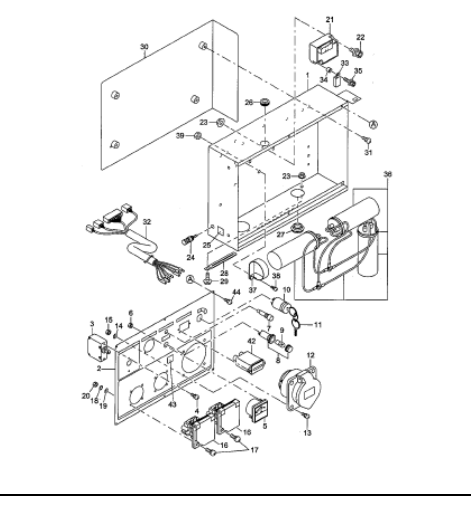
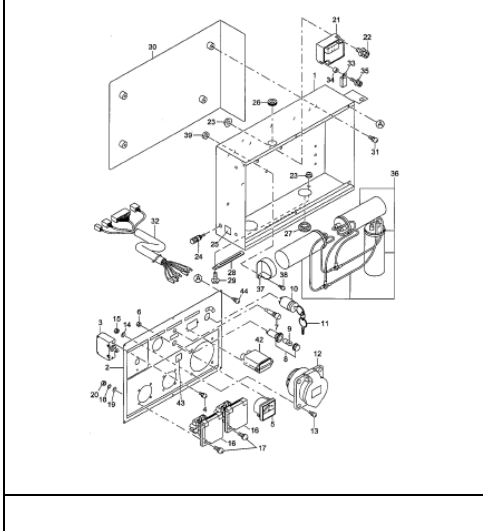
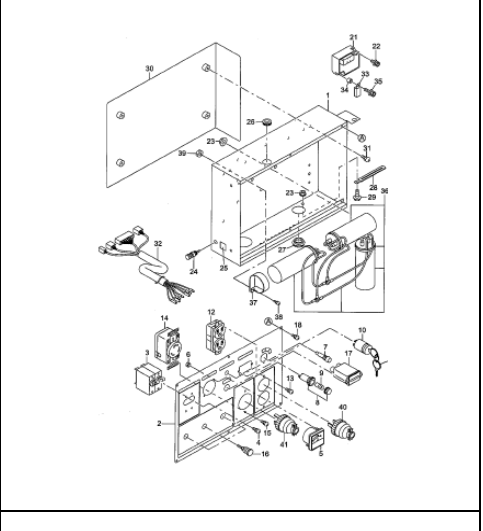
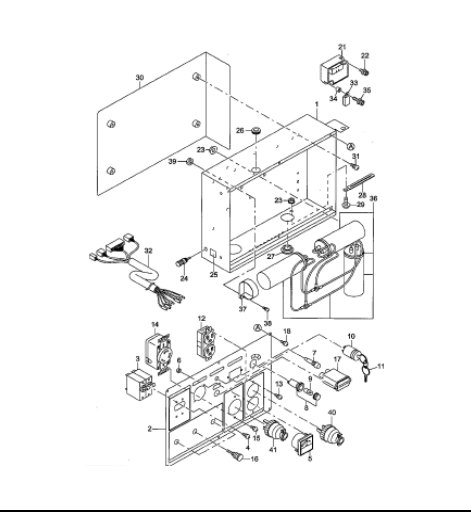
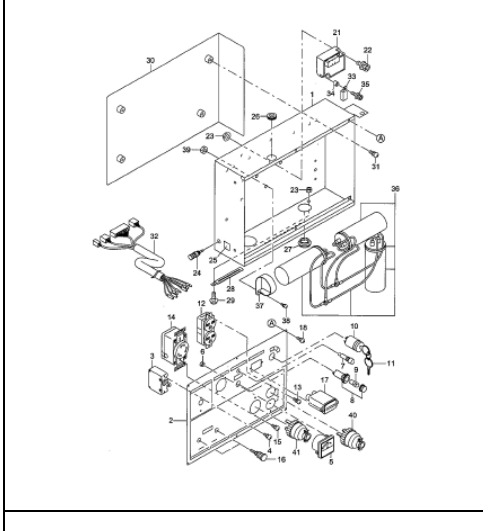
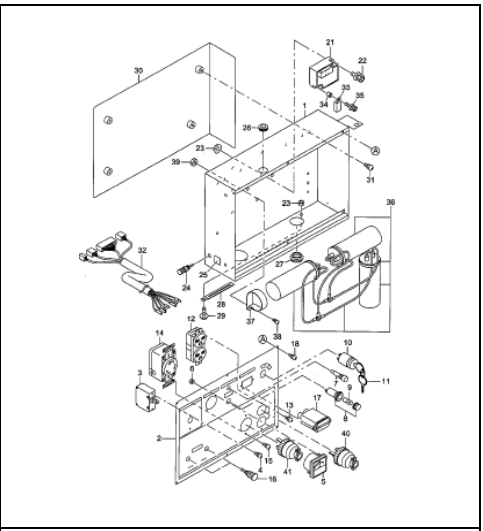
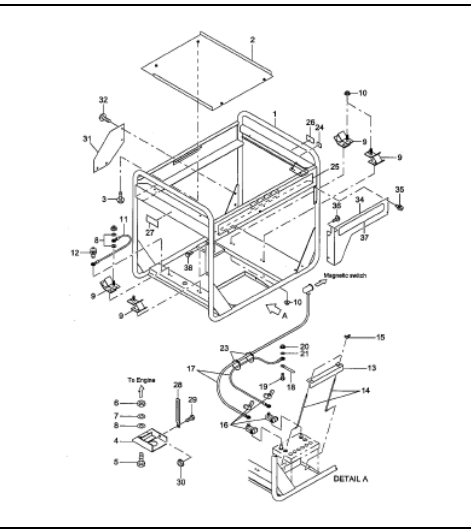
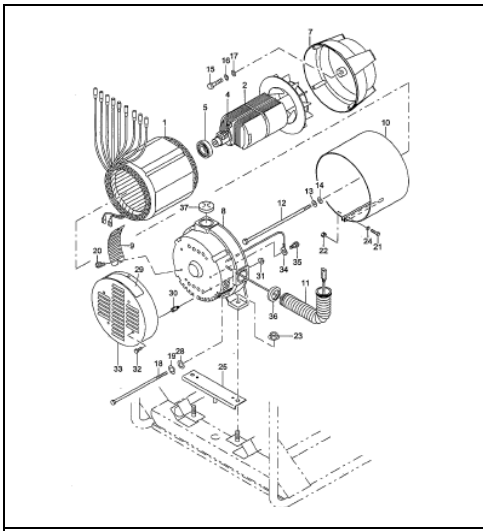
## Generator

Model

# ***RGV10100***

 **FUJI HEAVY INDUSTRIES LTD.**

ISSUE EMD-GP1558



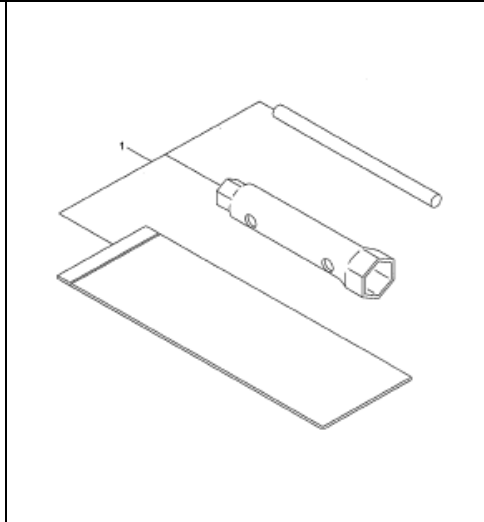
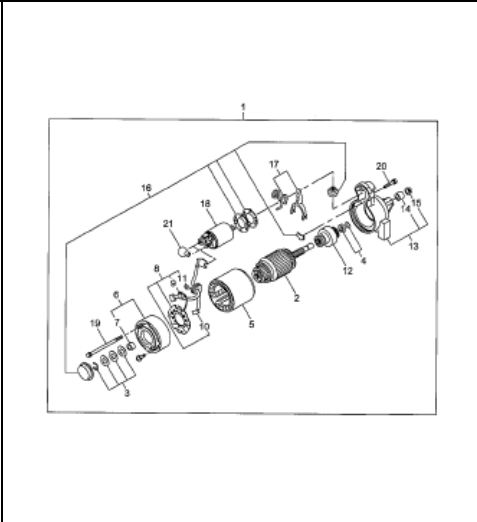
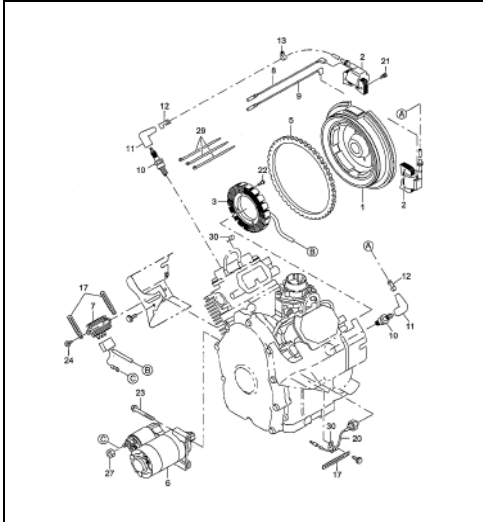
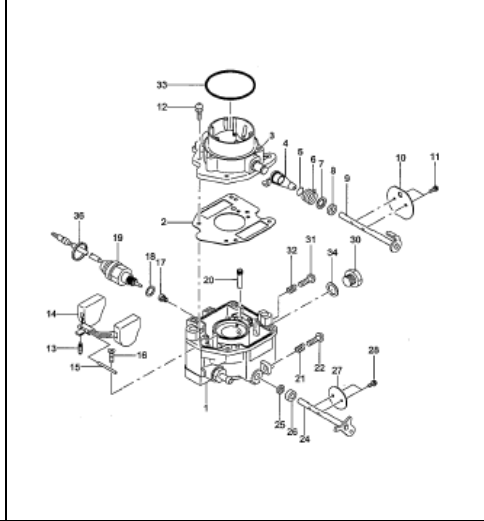
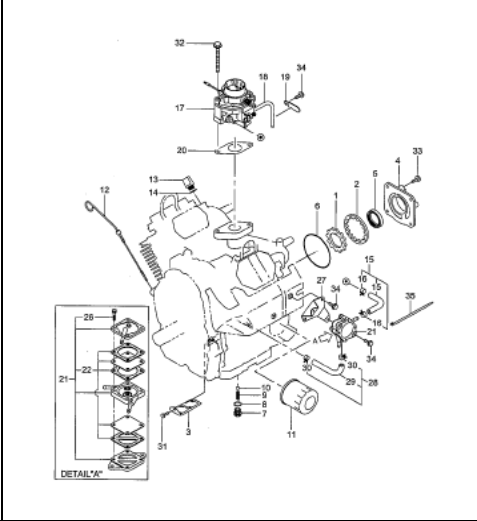
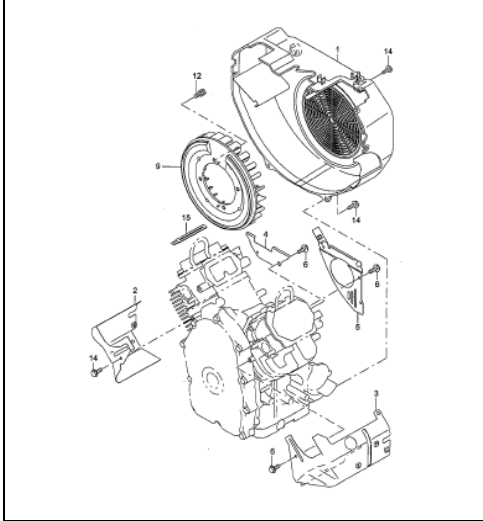
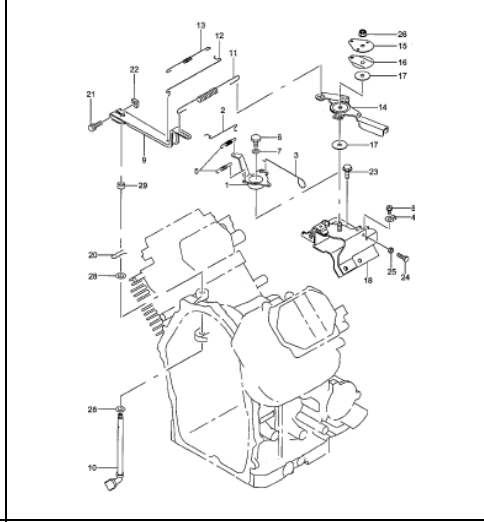
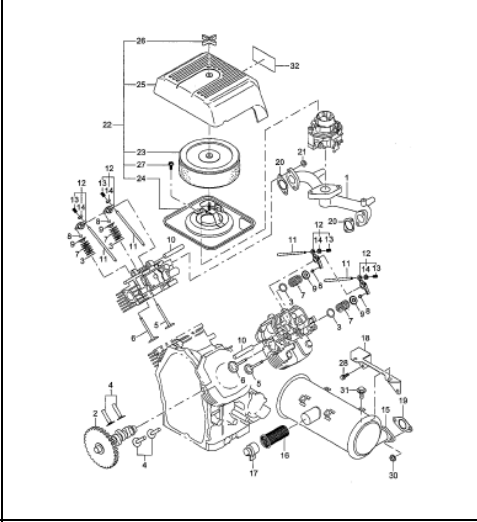
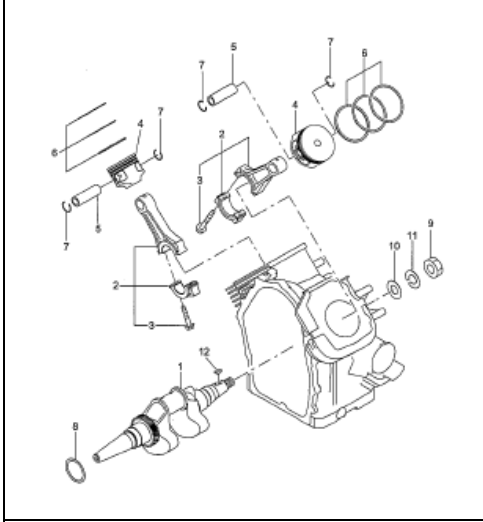
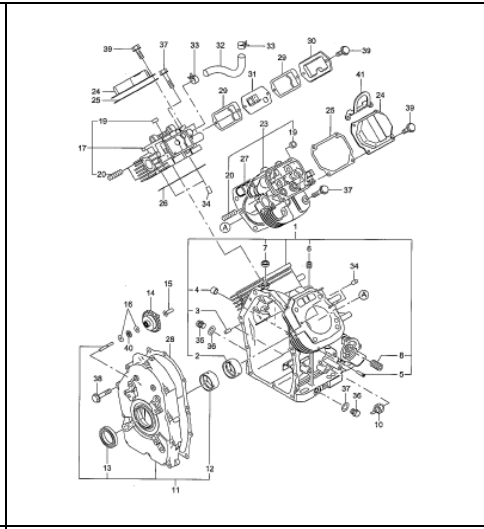
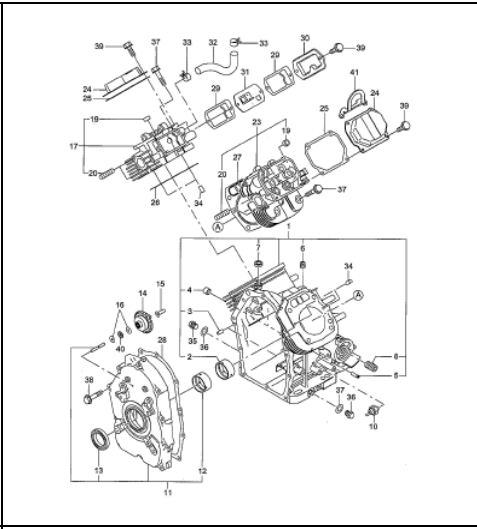
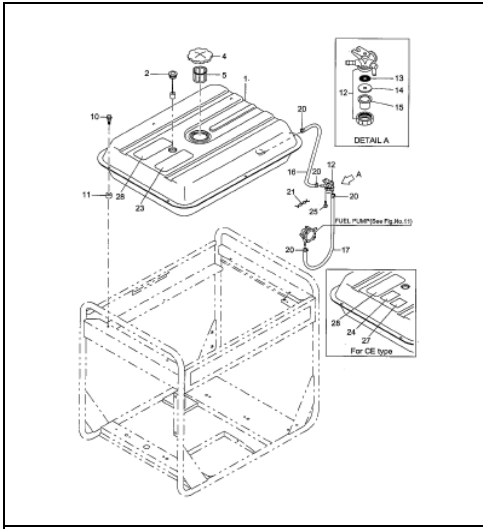
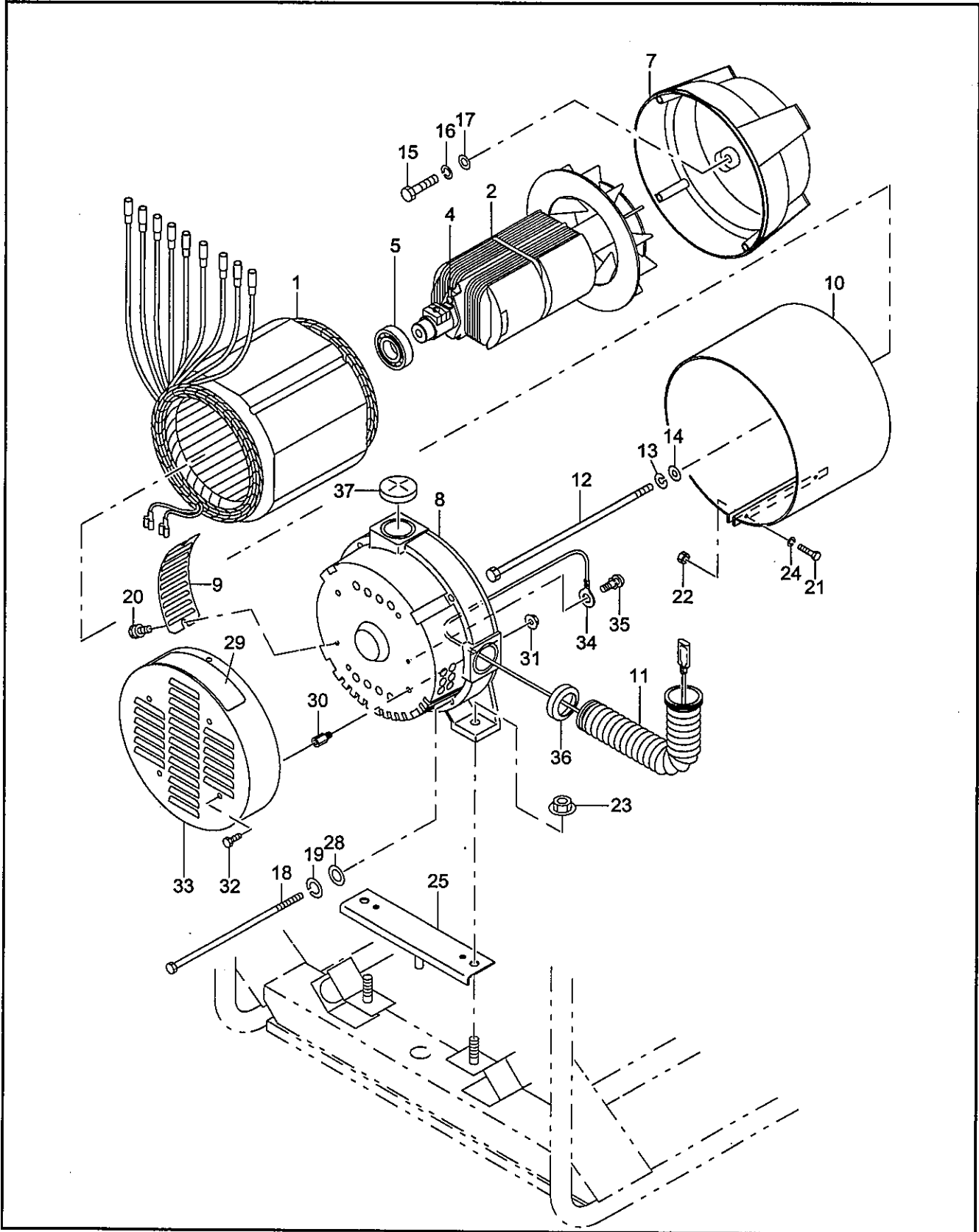
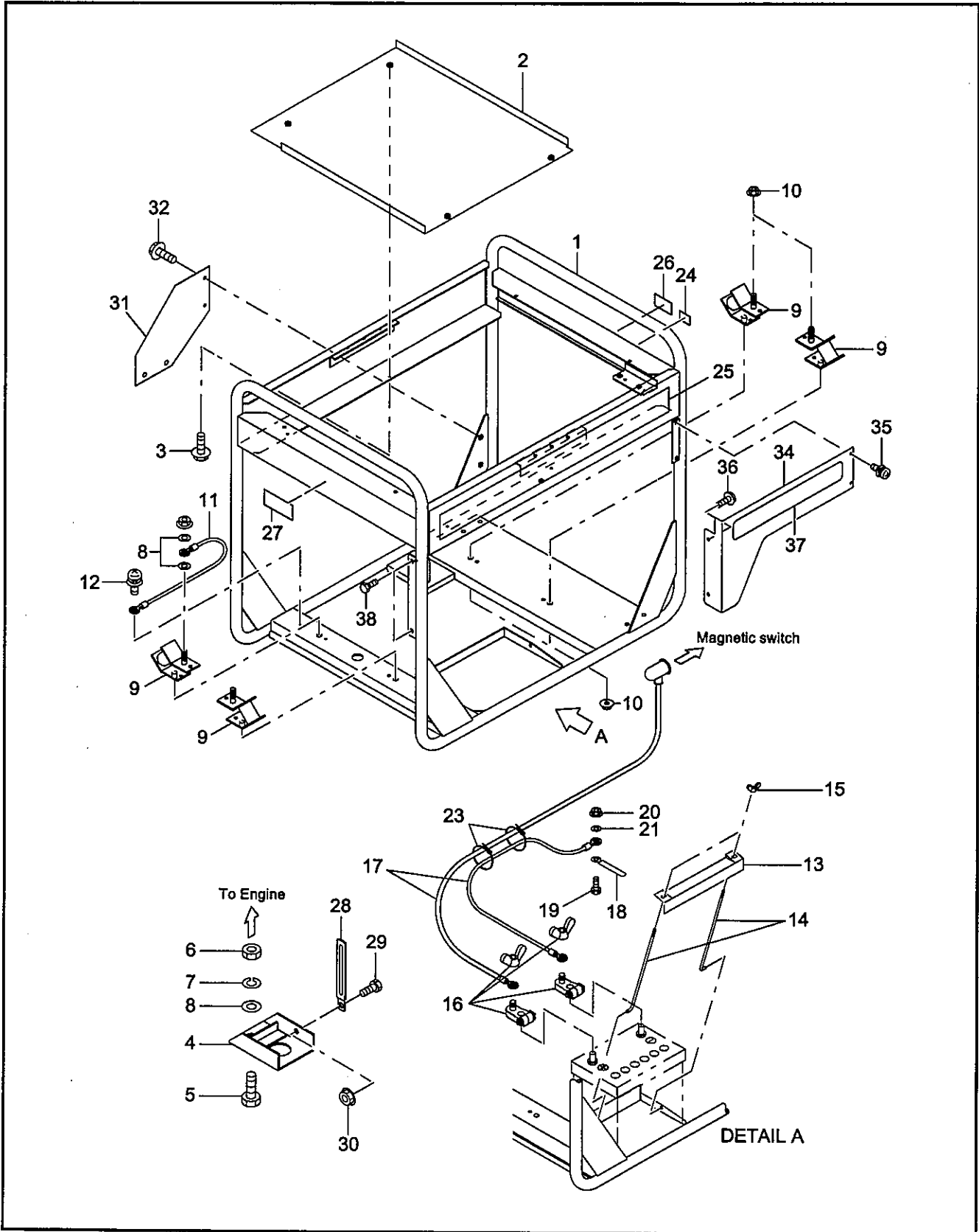


FIG.1 GENERATOR GROUP



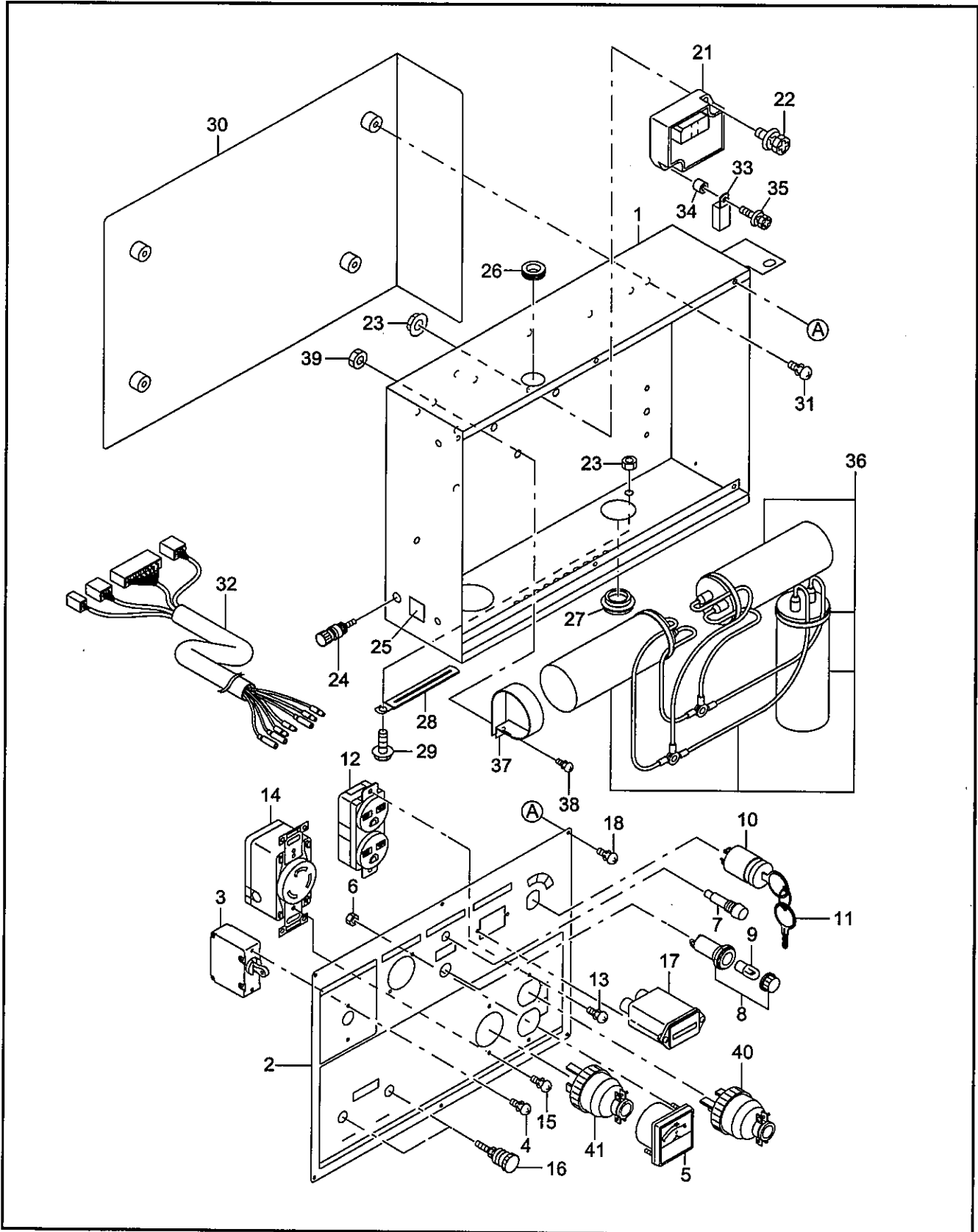


**FIG.2 PIPE FRAME GROUP**





**FIG.3-1 CONTROL BOX GROUP (220V, 240V)**

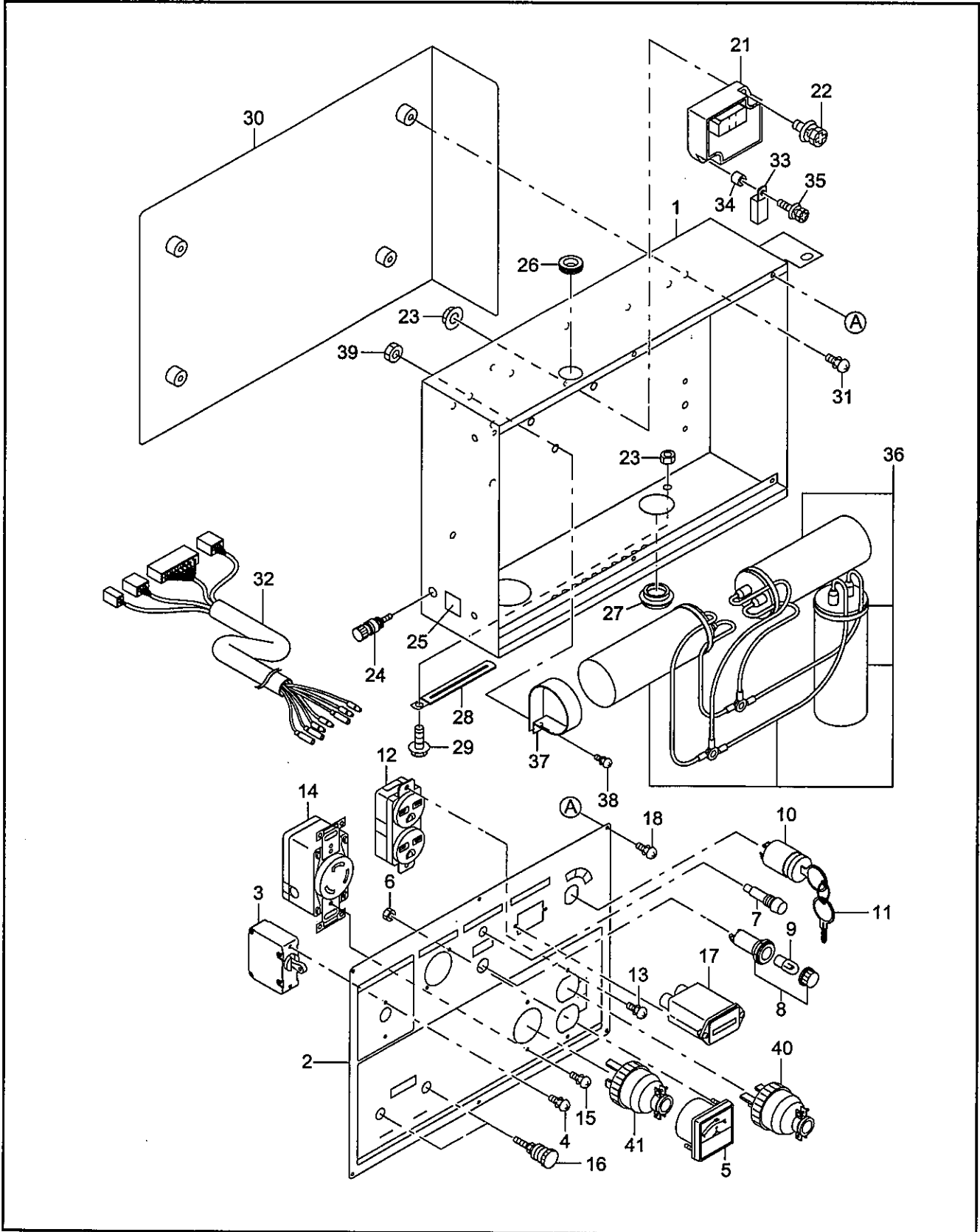




**FIG.3-1 CONTROL BOX GROUP (220V, 240V)**

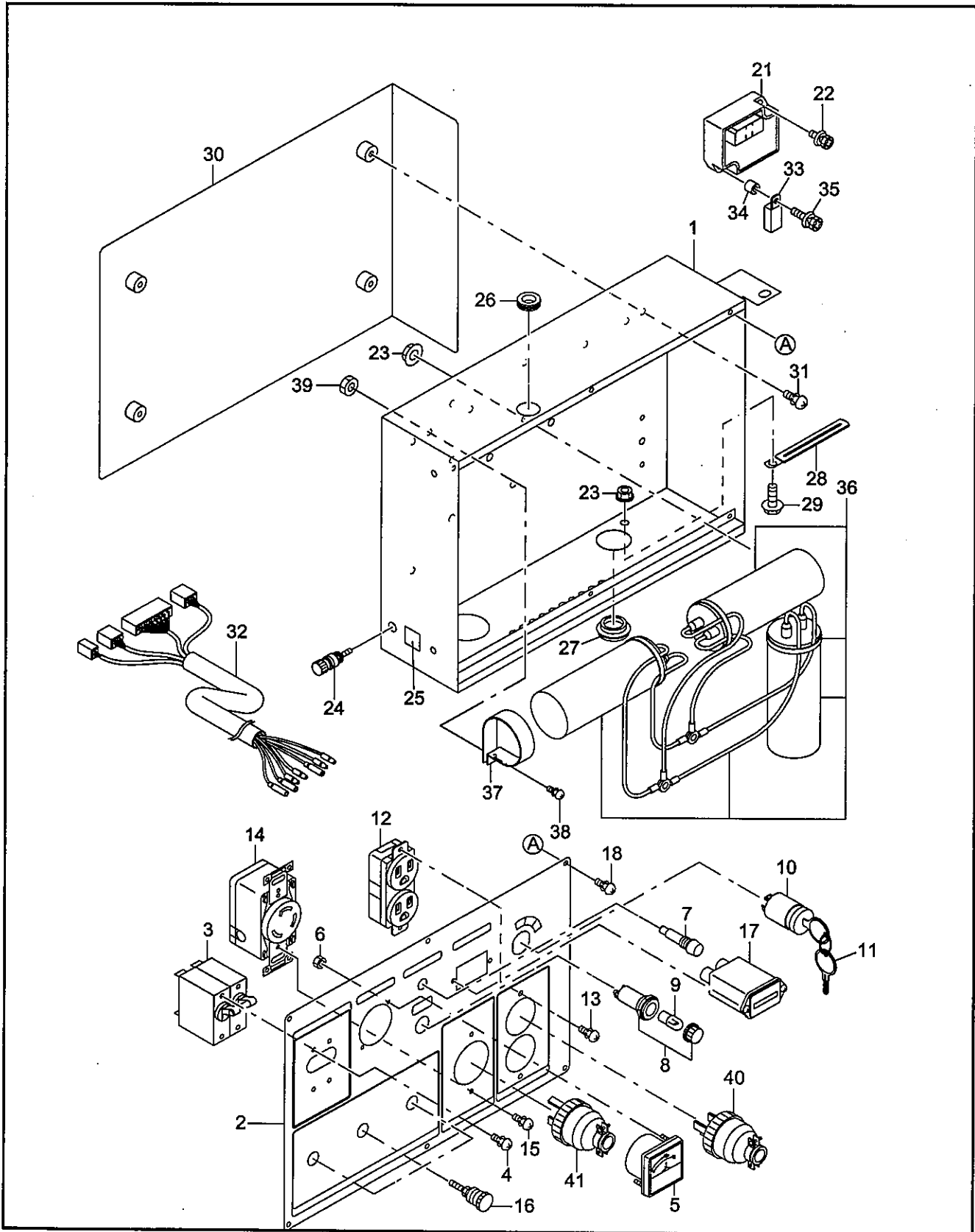
Ref. No.	Part Number	Description	Q'ty	Interchangeability	
					Execution
*1	31F-71035-10	CONTROL BOX ASS'Y For 50Hz-220V Includes items 1 thru 18, 21 thru 39	1	X	
*1	31F-71035-00	CONTROL BOX ASS'Y For 50Hz-220V Includes items 1 thru 18, 21 thru 39	1		
*1	31F-71040-00	CONTROL BOX ASS'Y For 60Hz-220V Includes items 1 thru 18, 21 thru 39	1		
*1	31F-71028-00	CONTROL BOX ASS'Y For 50Hz-240V Includes items 1 thru 18, 21 thru 39	1		
1	31F-73016-11	CONTROL BOX UNIT	1		
*2	31F-72036-00	CONTROL PANEL ASS'Y For 50Hz-220V Includes items 2 thru 17	1		
*2	31F-72041-00	CONTROL PANEL ASS'Y For 60Hz-220V Includes items 2 thru 17	1		
*2	31F-72029-00	CONTROL PANEL ASS'Y For 50Hz-240V Includes items 2 thru 17	1		
2	31F-73044-01	CONTROL PANEL For 50Hz-220V	1		
2	31F-73048-01	CONTROL PANEL For 60Hz-220V	1		
2	31F-73038-01	CONTROL PANEL For 50Hz-240V	1		
3	31F-75025-03	NO FUSE BREAKER (1P-35A) For 50Hz-220V	1		
3	31D-73003-03	NO FUSE BREAKER (1P-30A) For 50Hz-240V	1		
3	31F-73007-03	NO FUSE BREAKER (1P-40A) For 60Hz-220V	1		
4	31B-79011-03	SCREW and WASHER ASS'Y (M3×5mm)	2		
5	391-47900-11	VOLTMETER	1		
6	002-17030-00	NUT (M3)	2		
7	320-75118-08	PILOT LAMP	1		
*8	393-43101-01	LAMP (OIL) Includes item 9	1		
9	393-45006-01	LAMP (18V-0.11A)	1		
*10	066-00003-30	KEY SWITCH Includes item 11	1		
11	066-00099-80	KEY	2		
12	378-45736-08	AC RECEPTACLE (250V-15A)	1		
13	351-49920-08	SCREW and WASHER ASS'Y (M4×10mm)	2		
14	353-45703-08	AC RECEPTACLE (250V-30A, TWIST LOCK)	1		
15	31C-79001-03	SCREW and WASHER ASS'Y (M3.5×10mm)	2		
16	31F-75017-03	TERMINAL	2		
17	393-40650-08	HOUR METER For 50Hz	1		
17	393-40651-08	HOUR METER For 60Hz	1		
18	351-49920-08	SCREW and WASHER ASS'Y (M4×10mm)	6		
21	KU3-11062-11	ECU(O/S & R/C),compl.	1	O	
21	KU3-11062-01	ECU(O/S & R/C),compl.	1		
22	004-36062-00	SCREW and WASHER ASS'Y (M6×20mm)	1	O	
22	004-36062-00	SCREW and WASHER ASS'Y (M6×20mm)	2		
23	002-38060-00	FLANGE NUT (M6)	3		
24	353-45716-08	TERMINAL BOLT	1		
25	30G-49106-08	LABEL, earth	1		

FIG.3-1 CONTROL BOX GROUP (220V, 240V)





**FIG.3-2 CONTROL BOX GROUP (60Hz-110V/220V, 120V/240V)**

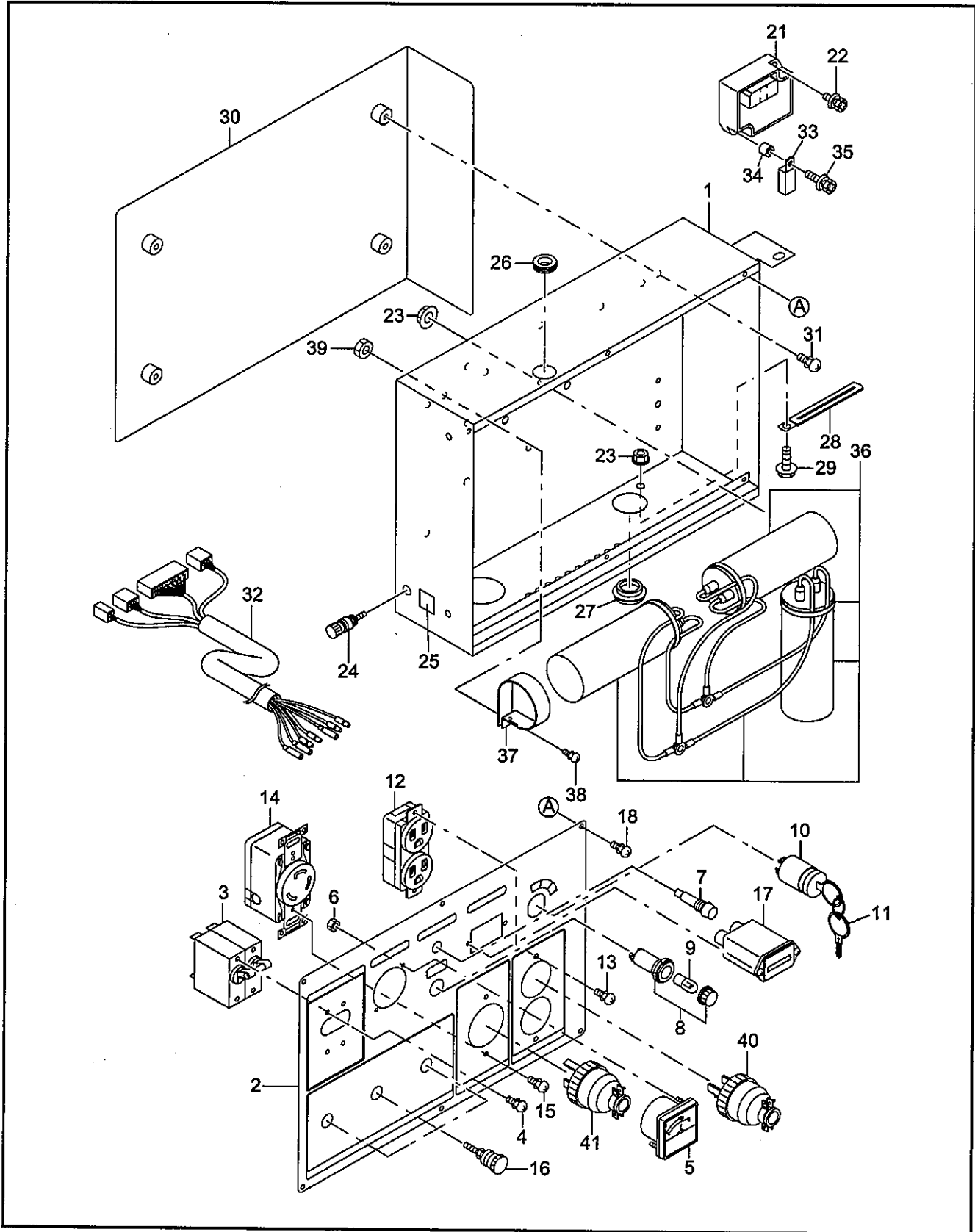


**FIG.3-2 CONTROL BOX GROUP (60Hz-110V/220V, 120V/ 240V)**

Interchangeability

Ref. No.	Part Number	Description	Q'ty	Execution
*1	31F-71044-00	CONTROL BOX ASS'Y Includes items 1 thru 18, 21 thru 39 For 60Hz-120V/240V	1	
*1	31F-71034-10	CONTROL BOX ASS'Y Includes items 1 thru 18, 21 thru 39 For 60Hz-110V/220V	1	
*1	31F-71034-00	CONTROL BOX ASS'Y Includes items 1 thru 18, 21 thru 39 For 60Hz-110V/220V	1	
1	31F-73016-11	CONTROL BOX UNIT	1	
*2	31F-72032-01	CONTROL PANEL ASS'Y Includes items 2 thru 17 For 60Hz-120V/240V	1	
*2	31F-72035-00	CONTROL PANEL ASS'Y Includes items 2 thru 17 For 60Hz-110V/220V	1	
2	31F-73040-01	CONTROL PANEL For 60Hz-120V/240V	1	
2	31F-73043-01	CONTROL PANEL For 60Hz-110V/220V	1	
3	31F-75026-03	NO FUSE BREAKER (2P-37A) For 60Hz-120V/240V	1	
3	31F-75029-03	NO FUSE BREAKER (2P-40A) For 60Hz-110V/220V	1	
4	31B-79011-03	SCREW and WASHER ASS'Y (M3×5mm)	4	
5	391-47900-11	VOLTMETER	1	
6	002-17030-00	NUT (M3)	2	
7	320-75118-08	PILOT LAMP	1	
*8	393-43101-01	LAMP (OIL) Includes item 9	1	
9	393-45006-01	LAMP (18V-0.11A)	1	
*10	066-00003-30	KEY SWITCH Includes item 11	1	
11	066-00099-80	KEY	2	
12	343-11362-18	AC RECEPTACLE (125V-15A)	1	
13	351-49920-08	SCREW and WASHER ASS'Y (M4×10mm)	2	
14	353-45703-08	AC RECEPTACLE (250V-30A, TWIST LOCK)	1	
15	31C-79001-03	SCREW and WASHER ASS'Y (M3.5×10mm)	2	
16	31F-75017-03	TERMINAL	3	
17	393-40651-08	HOUR METER	1	
18	351-49920-08	SCREW and WASHER ASS'Y (M4×10mm)	6	
21	KU3-11062-11	ECU(O/S & R/C),compl.	1	
21	KU3-11062-01	ECU(O/S & R/C),compl.	1	
22	004-36062-00	SCREW and WASHER ASS'Y (M6×20mm)	1	
22	004-36062-00	SCREW and WASHER ASS'Y (M6×20mm)	2	
23	002-38060-00	FLANGE NUT (M6)	3	
24	353-45716-08	TERMINAL BOLT	1	
25	30G-49106-08	LABEL, earth	1	
26	024-11500-10	GROMMET	1	
27	31H-75009-03	GROMMET	1	

**FIG.3-2 CONTROL BOX GROUP (60Hz-110V/220V, 120V/240V)**

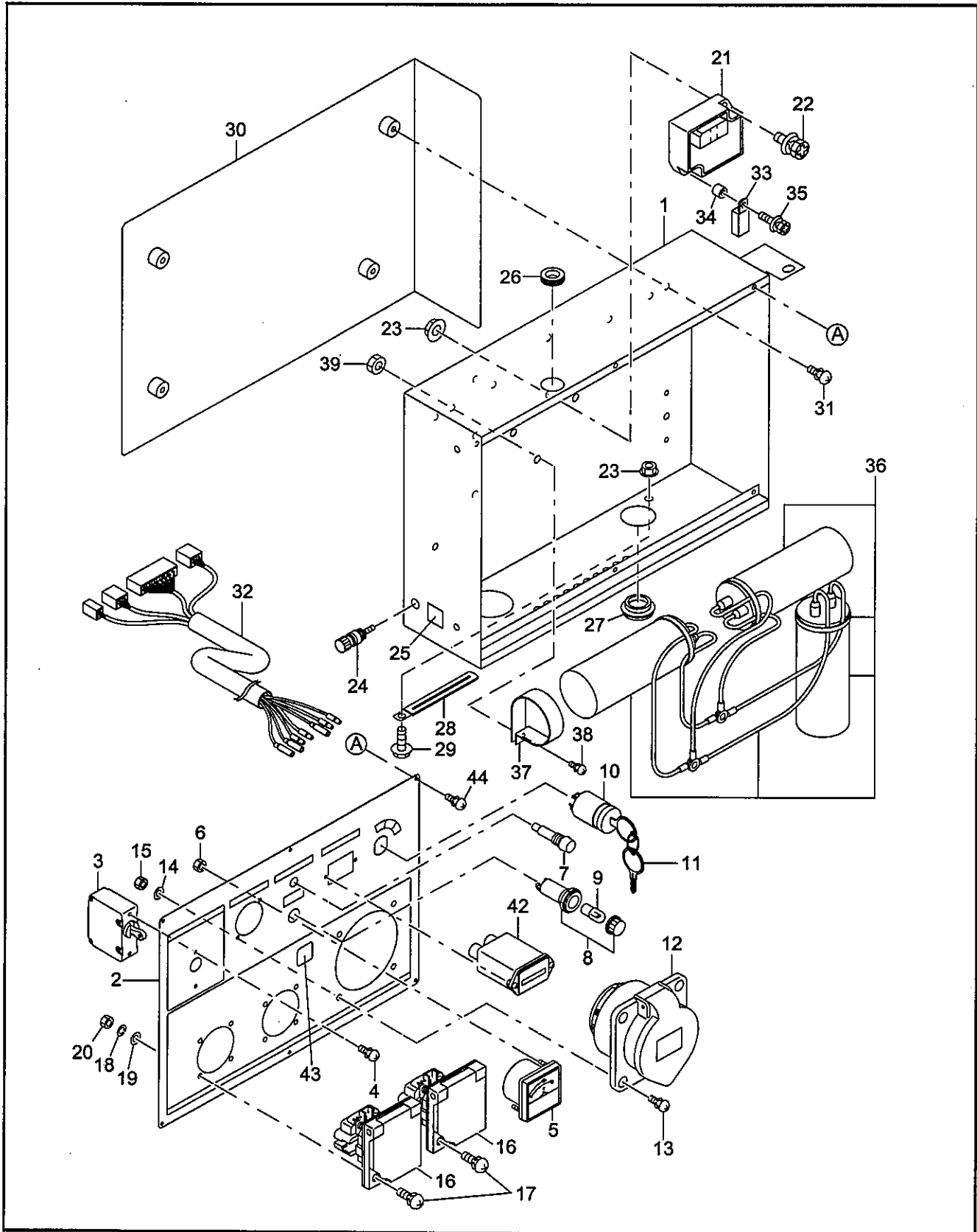


**FIG.3-2 CONTROL BOX GROUP (60Hz-110V/220V, 120V/ 240V)**

Interchangeability

Ref. No.	Part Number	Description	Q'ty		Execution	
28	056-60002-50	CLAMP	1	* ↙		
29	011-00600-20	FLANGE BOLT (M6×12mm)	1			
30	31F-73018-01	PLATE	1			
31	366-49997-08	SCREW and WASHER ASS'Y (M5×10mm)	4			
32	31G-76016-03	WIRE, compl.	1			
32	31G-76007-03	WIRE, compl.	1			
33	391-48301-01	RELAY	1			
34	023-00603-30	SPACER	1			
35	001-37060-35	SCREW (M6×35mm)	1			
36	31F-74001-01	CONDENSER, compl. (37μF×3)	1			
37	380-47531-08	CONDENSER BRACKET	6			
38	004-35041-20	SCREW and WASHER ASS'Y	6			
39	002-17040-00	NUT	6			
40	358-95002-03	AC PLUG (250V-15A)	2			
41	353-45705-08	AC PLUG (250V-30A)	1			

**FIG.3-3 CONTROL BOX GROUP (GERMANY & BS RECEPTACLE)**



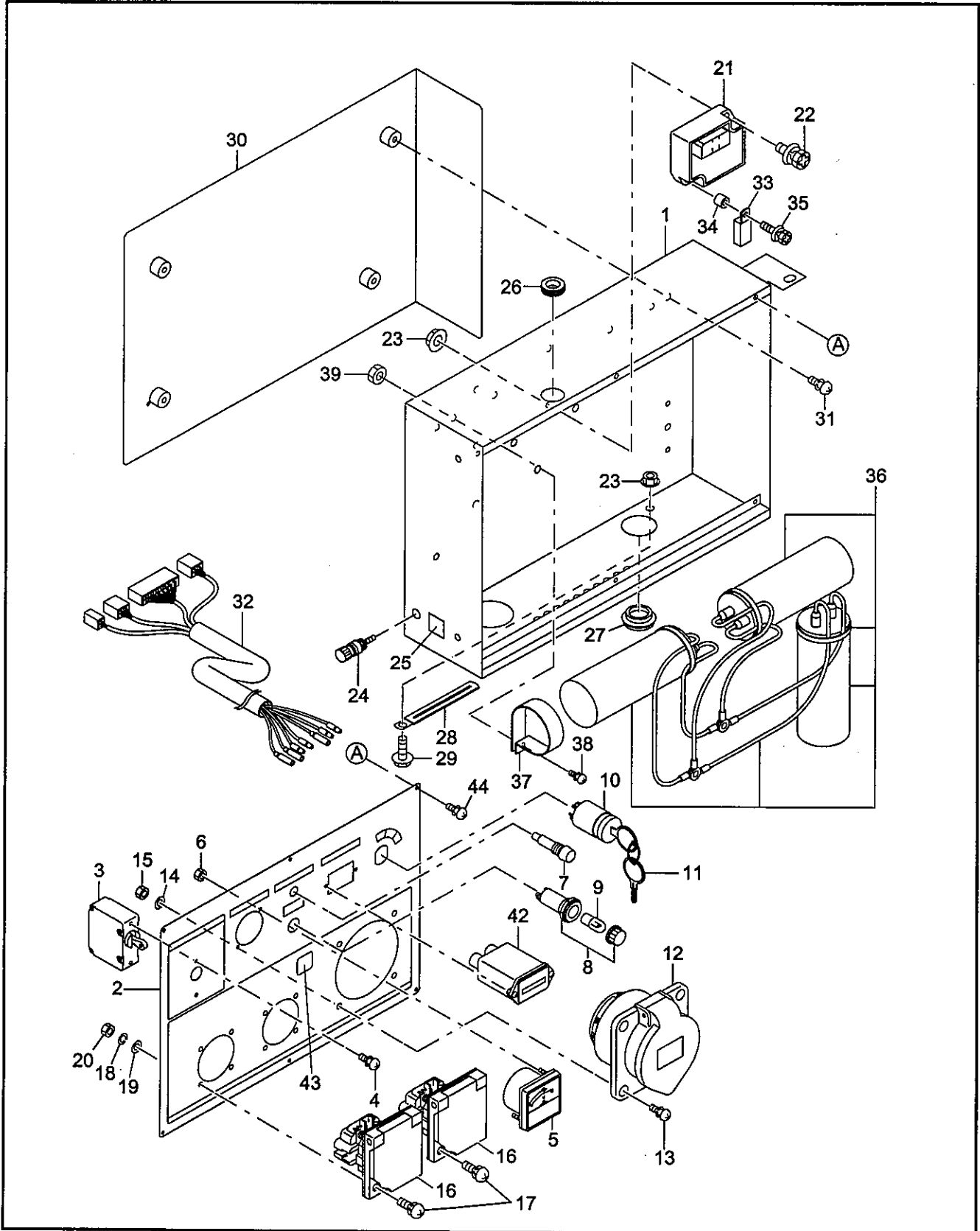


### FIG.3-3 CONTROL BOX GROUP (GERMANY & BS RECEPTACLE)

Interchangeability

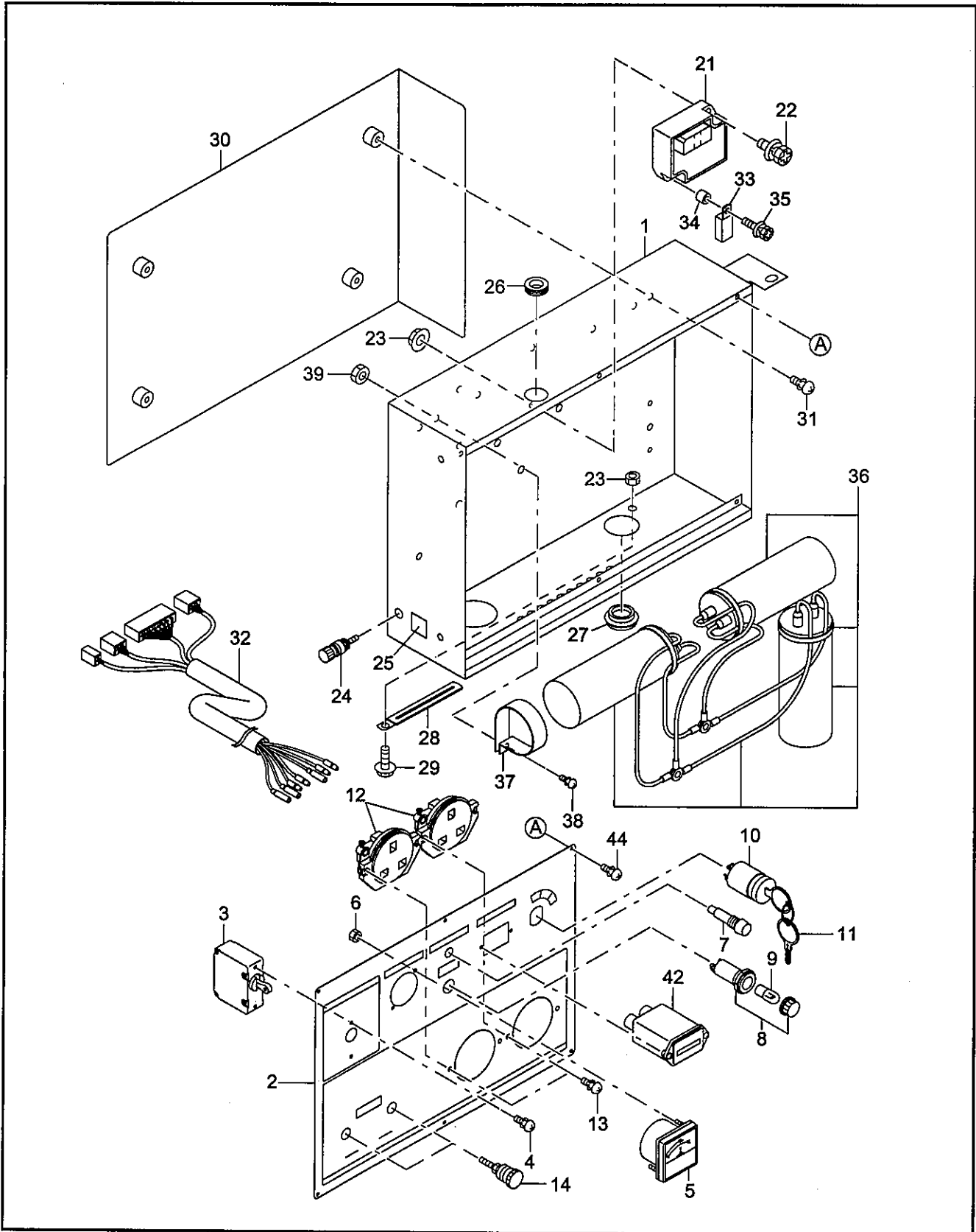
Ref. No.	Part Number	Description	Q'ty	Execution
*1	31F-71030-10	CONTROL BOX ASS'Y Includes items 1 thru 44	1	
*1	31F-71030-00	CONTROL BOX ASS'Y Includes items 1 thru 44	1	
1	31F-73016-11	CONTROL BOX UNIT	1	
*2	31F-72031-00	CONTROL PANEL ASS'Y Includes items 2 thru 20, 42, 43	1	
2	31G-73022-01	CONTROL PANEL	1	
3	31F-75005-03	NO FUSE BREAKER (1P-35A)	1	
4	31B-79011-03	SCREW and WASHER ASS'Y (M3×5mm)	4	
5	391-47900-11	VOLTMETER	1	
6	002-17030-00	NUT (M3)	2	
7	320-75118-08	PILOT LAMP	1	
*8	393-43101-01	LAMP (OIL) Includes item 9	1	
9	393-45006-01	LAMP (18V-0.11A)	1	
*10	066-00003-30	KEY SWITCH Includes item 11	1	
11	066-00099-80	KEY	2	
12	353-45733-08	AC RECEPTACLE (240V-32A)	1	
13	004-36052-00	SCREW and WASHER ASS'Y (M5×20mm)	4	
14	003-10050-00	WASHER	4	
15	002-17050-00	NUT	4	
16	388-45746-08	AC RECEPTACLE (250V-16A)	2	
17	004-31031-50	SCREW (M3×15mm)	8	
18	003-20030-00	SPRING WASHER	8	
19	003-10030-00	WASHER	8	
20	002-17030-00	NUT	8	
21	KU3-11062-11	ECU(O/S & R/C),compl.	1	
21	KU3-11062-01	ECU(O/S & R/C),compl.	1	
22	004-36062-00	SCREW and WASHER ASS'Y (M6×20mm)	1	
22	004-36062-00	SCREW and WASHER ASS'Y (M6×20mm)	2	
23	002-38060-00	FLANGE NUT (M6)	3	
24	353-45716-08	TERMINAL BOLT	1	
25	30G-49106-08	LABEL, earth	1	
26	024-11500-10	GROMMET	1	
27	31H-75009-03	GROMMET	1	
28	056-60002-50	CLAMP	1	
29	011-00600-20	FLANGE BOLT (M6×12mm)	1	
30	31F-73018-01	PLATE	1	
31	366-49997-08	SCREW and WASHER ASS'Y (M5×10mm)	4	
32	31G-76016-03	WIRE, compl.	1	
32	31G-76007-03	WIRE, compl.	1	
33	391-48301-01	RELAY	1	
34	023-00603-30	SPACER	1	
35	001-37060-35	SCREW (M6×35mm)	1	

**FIG.3-3 CONTROL BOX GROUP (GERMANY & BS RECEPTACLE)**





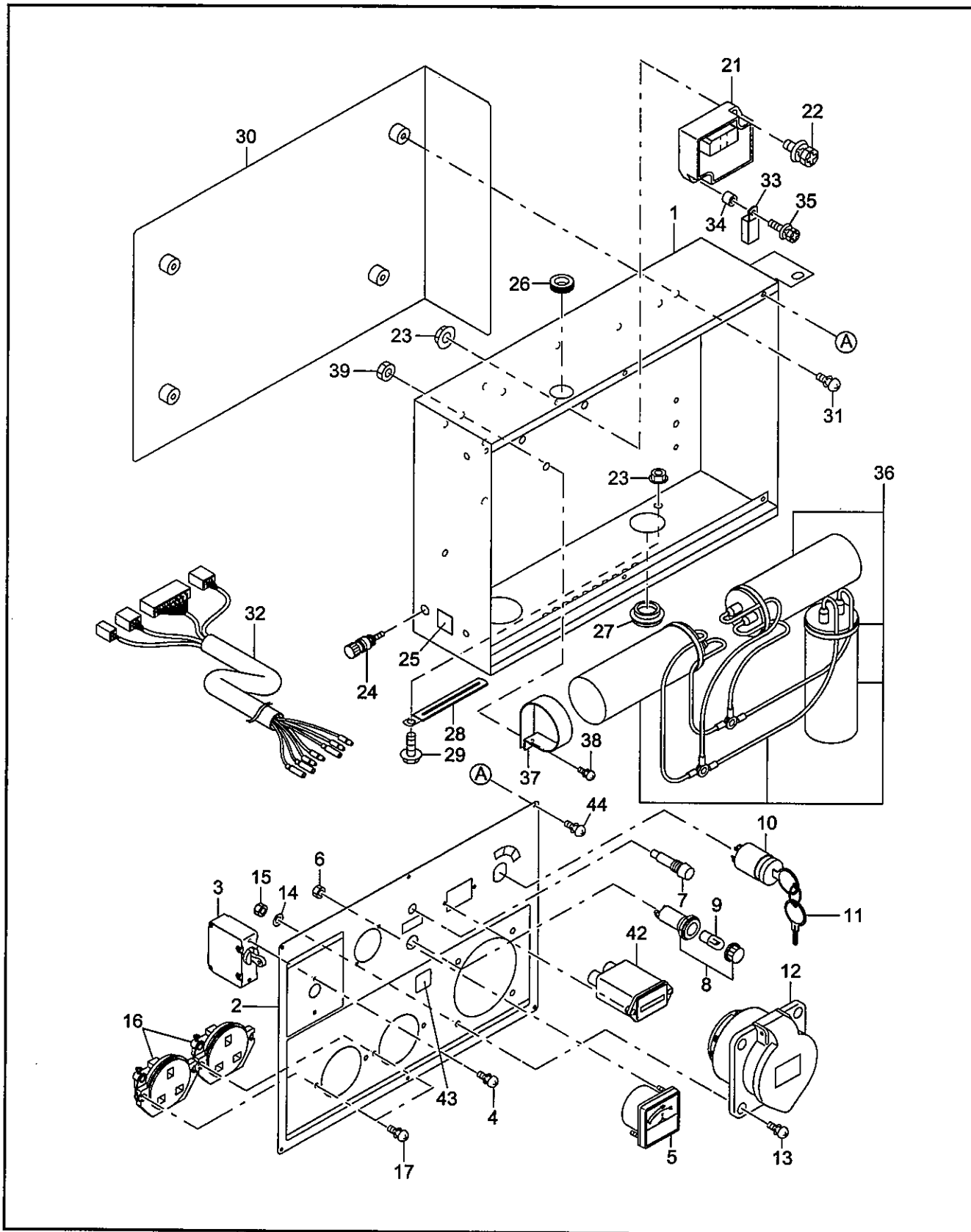
**FIG.3-4 CONTROL BOX GROUP (BF RECEPTACLE)**



### FIG.3-4 CONTROL BOX GROUP (BF RECEPTACLE)

				Interchangeability	
Ref. No.	Part Number	Description	Q'ty		Execution
*1	31F-71029-10	CONTROL BOX ASS'Y Includes items 1 thru 13, 16 thru 18, 21 thru 39	1	✕	
*1	31F-71029-00	CONTROL BOX ASS'Y Includes items 1 thru 13, 16 thru 18, 21 thru 39	1		←
1	31F-73016-11	CONTROL BOX UNIT	1		
*2	31F-72030-00	CONTROL PANEL ASS'Y Includes items 2 thru 13, 16 and 17	1		
2	31F-73039-01	CONTROL PANEL	1		
3	31D-73003-03	NO FUSE BREAKER (1P-30A)	1		
4	31B-79011-03	SCREW and WASHER ASS'Y (M3×5mm)	2		
5	391-47900-11	VOLTMETER	1		
6	002-17030-00	NUT (M3)	2		
7	320-75118-08	PILOT LAMP	1		
*8	393-43101-01	LAMP (OIL) Includes item 9	1		
9	393-45006-01	LAMP (18V-0.11A)	1		
*10	066-00003-30	KEY SWITCH Includes item 11	1		
11	066-00099-80	KEY	2		
12	358-40616-08	AC RECEPTACLE (250V-13A)	2		
13	31F-76002-01	SCREW and WASHER ASS'Y (M3.5×8mm)	4		
16	31F-75017-03	TERMINAL	2		
17	393-40650-08	HOUR METER	1		
18	351-49920-08	SCREW and WASHER ASS'Y (M4×10mm)	6		
21	KU3-11062-11	ECU(O/S & R/C),compl.	1	✕	
21	KU3-11062-01	ECU(O/S & R/C),compl.	1		↙
22	004-36062-00	SCREW and WASHER ASS'Y (M6×20mm)	1	↘	
22	004-36062-00	SCREW and WASHER ASS'Y (M6×20mm)	2	↘	
23	002-38060-00	FLANGE NUT (M6)	3		
24	353-45716-08	TERMINAL BOLT	1		
25	30G-49106-08	LABEL, earth	1		
26	024-11500-10	GROMMET	1		
27	31H-75009-03	GROMMET	1		
28	056-60002-50	CLAMP	1		
29	011-00600-20	FLANGE BOLT (M6×12mm)	1		
30	31F-73018-01	PLATE	1		
31	366-49997-08	SCREW and WASHER ASS'Y (M5×10mm)	4		
32	31G-76016-03	WIRE, compl.	1	✕	
32	31G-76007-03	WIRE, compl.	1		↙
33	391-48301-01	RELAY	1		
34	023-00603-30	SPACER	1		
35	001-37060-35	SCREW (M6×35mm)	1		
36	31F-74001-01	CONDENSER, compl. (37μF×3)	1		
37	380-47531-08	CONDENSER BRACKET	6		
38	004-35041-20	SCREW and WASHER ASS'Y	6		
39	002-17040-00	NUT	6		

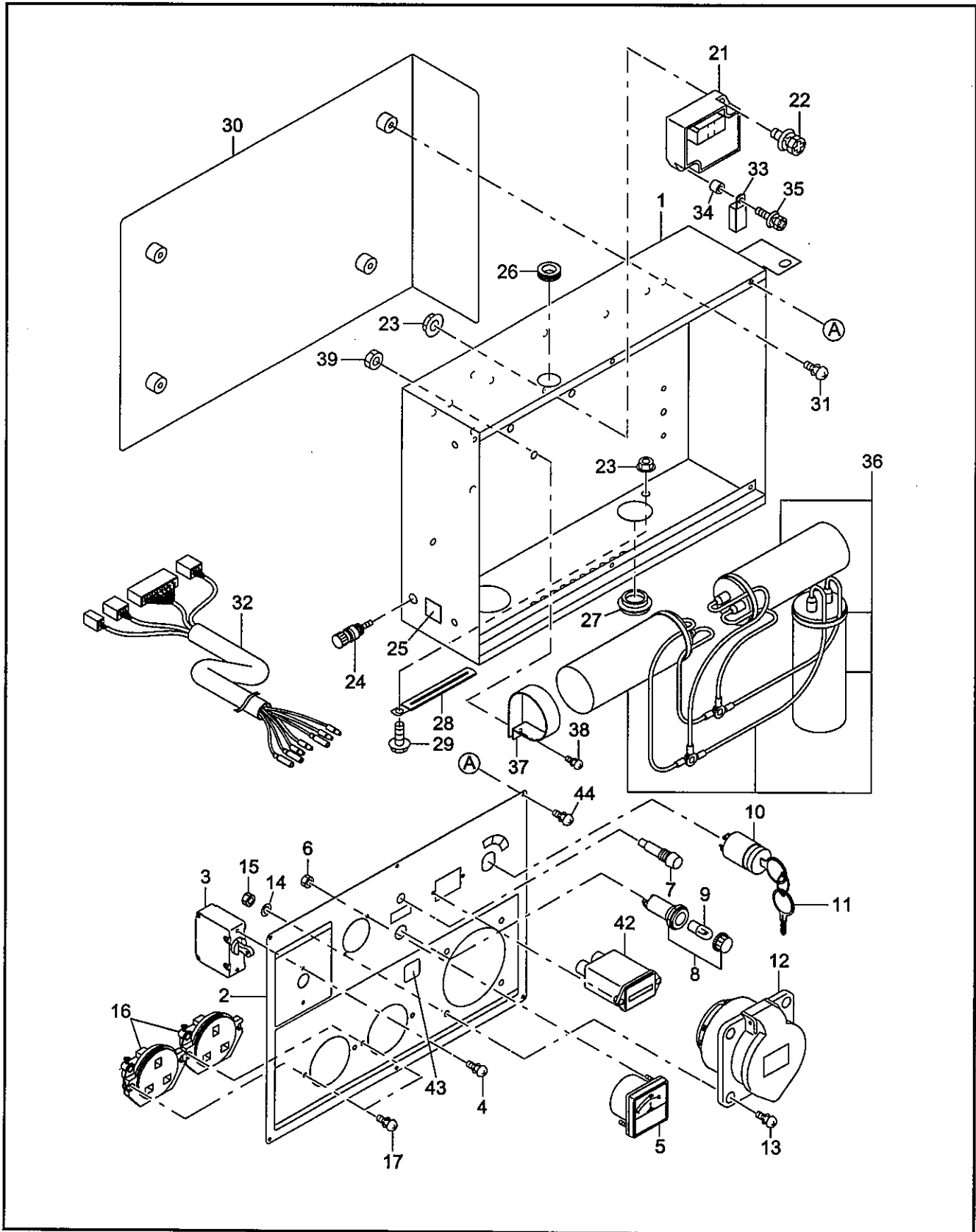
**FIG.3-5 CONTROL BOX GROUP (BF & BS RECEPTACLE)**



**FIG.3-5 CONTROL BOX GROUP (BF & BS RECEPTACLE)**

Interchangeability				
Ref. No.	Part Number	Description	Q'ty	Execution
*1	31F-71037-10	CONTROL BOX ASS'Y Includes items 1 thru 39	1	
*1	31F-71037-00	CONTROL BOX ASS'Y Includes items 1 thru 39	1	
1	31F-73016-11	CONTROL BOX UNIT	1	
*2	31F-72038-00	CONTROL PANEL ASS'Y Includes items 2 thru 19	1	
2	31F-73046-01	CONTROL PANEL	1	
3	31F-75005-03	NO FUSE BREAKER (1P-35A)	1	
4	31B-79011-03	SCREW and WASHER ASS'Y (M3×5mm)	2	
5	391-47900-11	VOLTMETER	1	
6	002-17030-00	NUT (M3)	2	
7	320-75118-08	PILOT LAMP	1	
*8	393-43101-01	LAMP (OIL) Includes item 9	1	
9	393-45006-01	LAMP (18V-0.11A)	1	
*10	066-00003-30	KEY SWITCH Includes item 11	1	
11	066-00099-80	KEY	2	
12	353-45733-08	AC RECEPTACLE (240V-32A)	1	
13	004-36052-00	SCREW and WASHER ASS'Y (M5×20mm)	4	
14	003-10050-00	WASHER	4	
15	002-17050-00	NUT	4	
16	358-40616-08	AC RECEPTACLE (250V-16A)	2	
17	31F-76002-01	SCREW (M3.5×8mm)	4	
18	393-40650-08	HOUR METER	1	
19	073-20044-90	LABEL(elec shock)	1	
20	351-49920-08	SCREW and WASHER ASS'Y (M4×10mm)	6	
21	KU3-11062-11	ECU(O/S & R/C),compl.	1	
21	KU3-11062-01	ECU(O/S & R/C),compl.	1	
22	004-36062-00	SCREW and WASHER ASS'Y (M6×20mm)	1	
22	004-36062-00	SCREW and WASHER ASS'Y (M6×20mm)	2	
23	002-38060-00	FLANGE NUT (M6)	3	
24	353-45716-08	TERMINAL BOLT	1	
25	30G-49106-08	LABEL, earth	1	
26	024-11500-10	GROMMET	1	
27	31H-75009-03	GROMMET	1	
28	056-60002-50	CLAMP	1	
29	011-00600-20	FLANGE BOLT (M6×12mm)	1	
30	31F-73018-01	PLATE	1	
31	366-49997-08	SCREW and WASHER ASS'Y (M5×10mm)	4	
32	31G-76016-03	WIRE, compl.	1	
32	31G-76007-03	WIRE, compl.	1	
33	391-48301-01	RELAY	1	
34	023-00603-30	SPACER	1	
35	001-37060-35	SCREW (M6×35mm)	1	

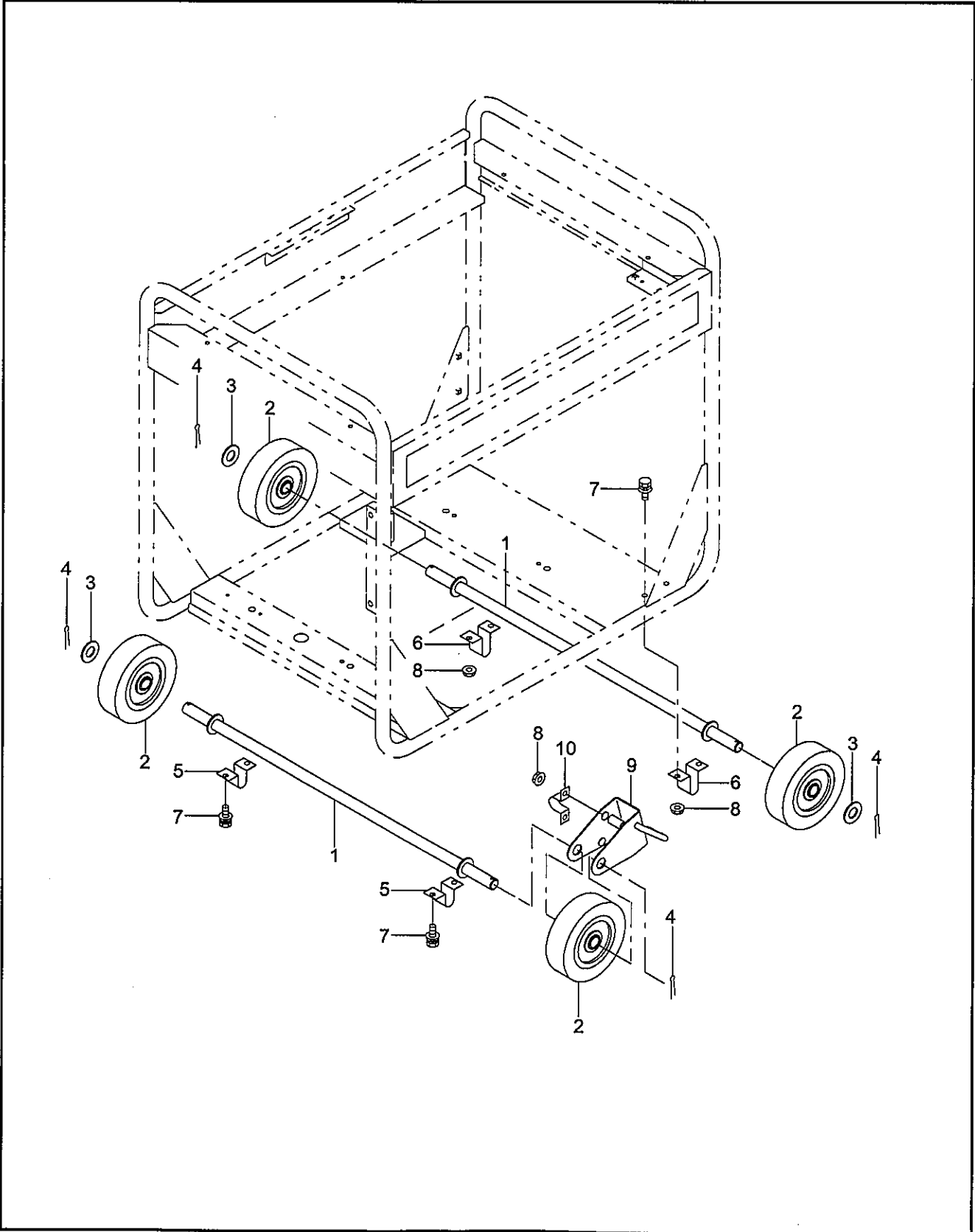
**FIG.3-5 CONTROL BOX GROUP (BF & BS RECEPTACLE)**







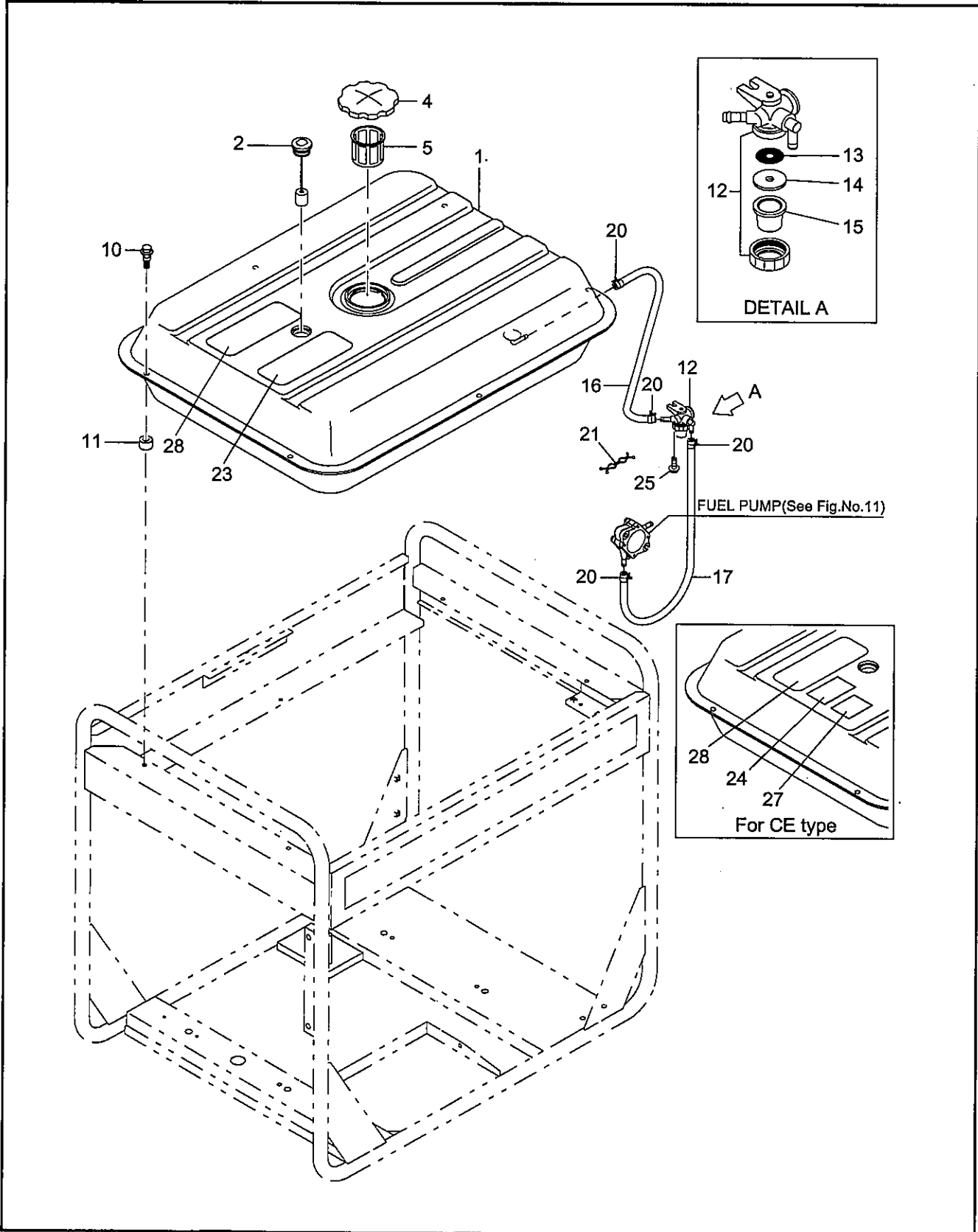
**FIG.4 4-WHEEL KIT GROUP**



**FIG.4 4-WHEEL KIT GROUP**

Ref. No.	Part Number	Description	Q'ty	Interchangeability	
				Execution	
1	31G-63021-01	SHAFT UNIT	2		
2	385-54389-08	WHEEL	4		
3	385-54390-08	WASHER	4		
4	005-10404-00	COTTER PIN	4		
5	31F-61007-01	BRACKET (generator side)	2		
6	31G-63022-01	BRACKET (engine side)	2		
7	001-14082-00	BOLT and WASHER ASS'Y	8		
8	002-38080-00	FLANGE NUT	6		
9	31G-39501-00	STOPPER ASS'Y	1		
10	31G-61026-01	CLAMP	1		

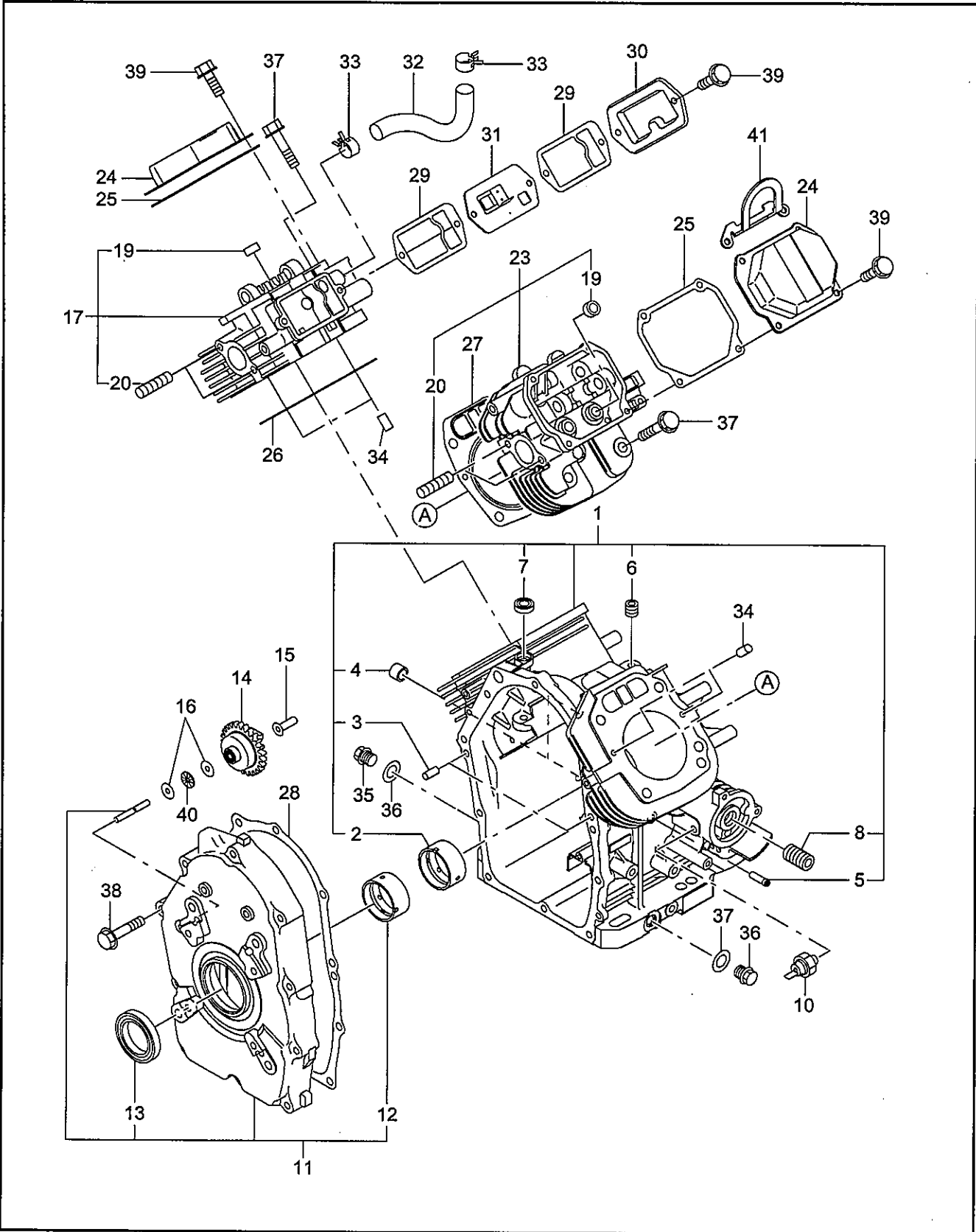
**FIG.5 FUEL TANK GROUP**



## FIG.5 FUEL TANK GROUP

Ref. No.	Part Number	Description	Q'ty	Interchangeability	
				Execution	
1	31G-36101-01	FUEL TANK, compl.	1		
2	064-80015-00	FUEL GAUGE, compl.	1		
4	043-05900-11	FUEL TANK CAP ASS'Y	1		
5	064-15400-11	FUEL FILTER	1		
10	011-00602-20	FLANGE BOLT (M6×20mm)	6		
11	391-39000-13	RUBBER WASHER	6		
*12	064-20036-01	FUEL STRAINER ASS'Y Includes items 13 thru 15	1		
13	064-20002-20	FILTER	1		
14	064-20030-30	PACKING	1		
15	064-20036-10	CUP	1		
16	085-10600-00	RUBBER PIPE (φ 6×φ 12×120mm)	1		
17	085-10600-00	RUBBER PIPE (φ 6×φ 12×630mm)	1		
20	056-11100-20	HOSE CLAMP	4		
21	31F-39002-03	PURSE LOCK	1		
23	388-93003-03	LABEL (caution)	1		
24	073-20045-10	LABEL (symbol-tank) For CE spec	1		
25	011-00602-20	FLANGE BOLT (M6×25mm)	1		
27	073-20035-90	LABEL (99) For CE spec	1		
28	31G-81044-03	LABEL (warning)	1		

FIG.6 CRANKCASE GROUP



# FIG.6 CRANKCASE GROUP

					└ Interchangeability
Ref. No.	Part Number	Description	Q'ty		Execution
*1	263-10101-21	CRANKCASE, compl. Includes items 2 thru 8	1	↙○	
*1	263-10101-11	CRANKCASE, compl. Includes items 2 thru 8	1		
*1	263-10101-01	CRANKCASE, compl. Includes items 2 thru 8	1		
2	263-15802-03	MAIN BEARING	1	↙*	
2	263-15801-03	MAIN BEARING	1		
3	005-26081-80	DOWEL PIN	2		
4	142-55601-03	PIPE	2		
5	159-65401-03	PIPE (PULSE)	1		
6	235-15421-03	BLIND PLUG	1		
7	044-00800-10	OIL SEAL	1		
8	263-15901-03	UNION	1		
10	248-76301-01	SWITCH OIL PRESSURE	1		
*11	263-11101-11	MAIN BEARING COVER, compl. Includes items 12 and 13	1	↙*	
*11	263-11101-01	MAIN BEARING COVER, compl. Includes items 12 and 13	1		
12	263-15802-03	MAIN BEARING	1	↙*	
12	263-15801-03	MAIN BEARING	1		
13	044-04200-30	OIL SEAL	1	↙○	
13	044-04200-20	OIL SEAL	1		
14	263-45001-A1	GOVERNOR GEAR, compl.	1	↙○	
14	263-45001-01	GOVERNOR GEAR, compl.	1		
15	263-41901-03	GOVERNOR SLEEVE	1		
16	263-46214-A3	WASHER	2		
*17	263-13001-11	CYLINDER HEAD 1, compl. Includes items 19 and 20	1	↙○	
*17	263-13001-01	CYLINDER HEAD 1, compl. Includes items 19 and 20	1		
19	132-07AA0-50	SEAL-INTAKE VALVE	2		
20	010-50802-90	STUD	8		
*23	263-13101-11	CYLINDER HEAD 2, compl. Includes items 19 and 20	1	↙○	
*23	263-13101-01	CYLINDER HEAD 2, compl. Includes items 19 and 20	1		
24	246-15501-01	ROCKER COVER, compl.	2		
25	246-16002-13	GASKET, rocker cover	2		
26	263-15001-13	GASKET 1, cyl. head	1		
27	263-15101-13	GASKET 2, cyl. head	1		
28	263-16001-A3	GASKET, main bearing cover	1	↙○	
28	263-16001-03	GASKET, main bearing cover	1		
29	263-16006-03	GASKET, breather plate	2		
30	263-14301-03	BREATHER COVER	1		
31	263-14401-01	BREATHER PLATE, compl.	1		
32	263-18001-03	RUBBER PIPE	1		
33	056-11800-20	HOSE CLAMP	2		
34	031-00600-20	DOWEL PIN	4		
35	040-11400-30	PLUG	2		
36	021-11400-20	GASKET	2		

**FIG.6 CRANKCASE GROUP**

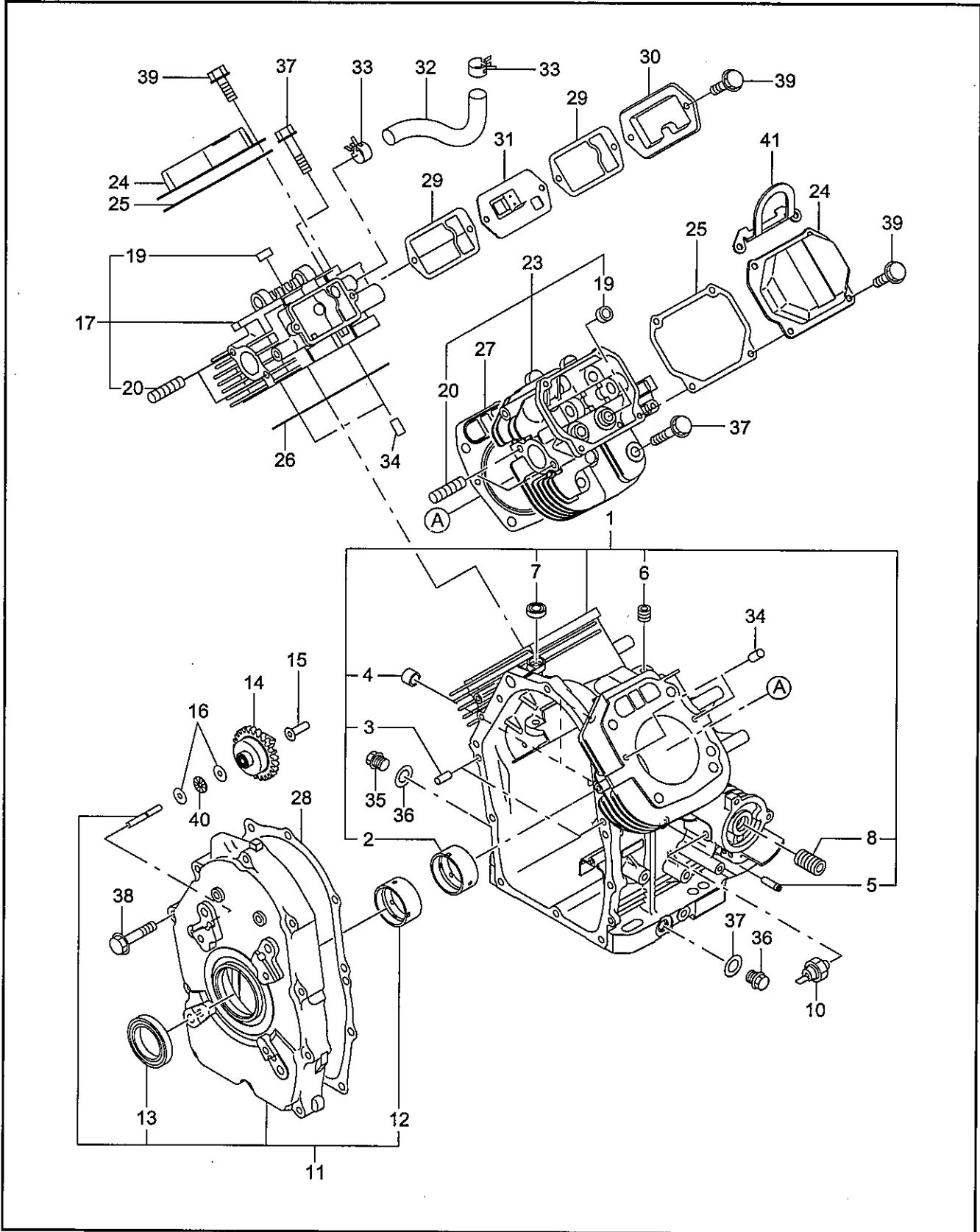
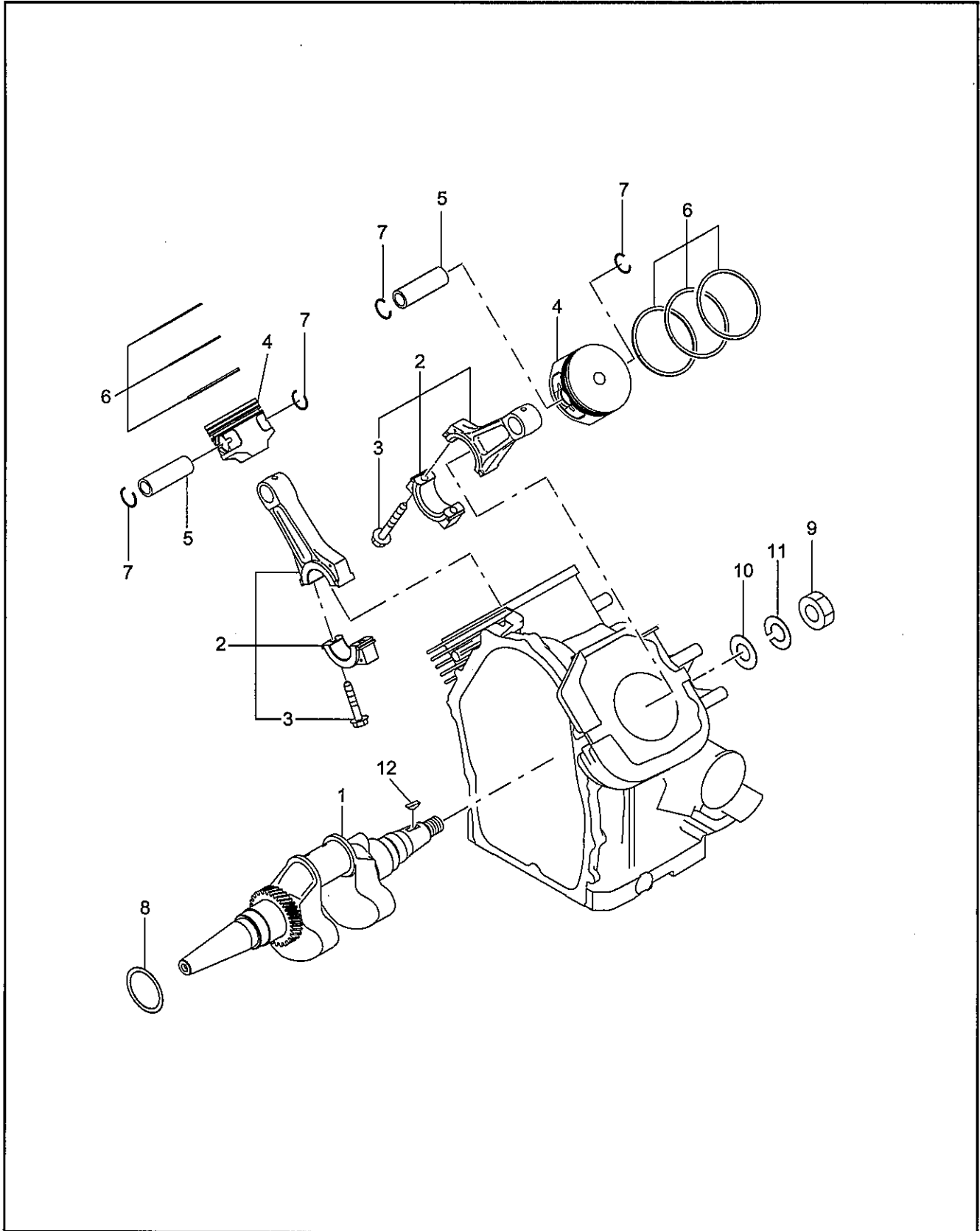




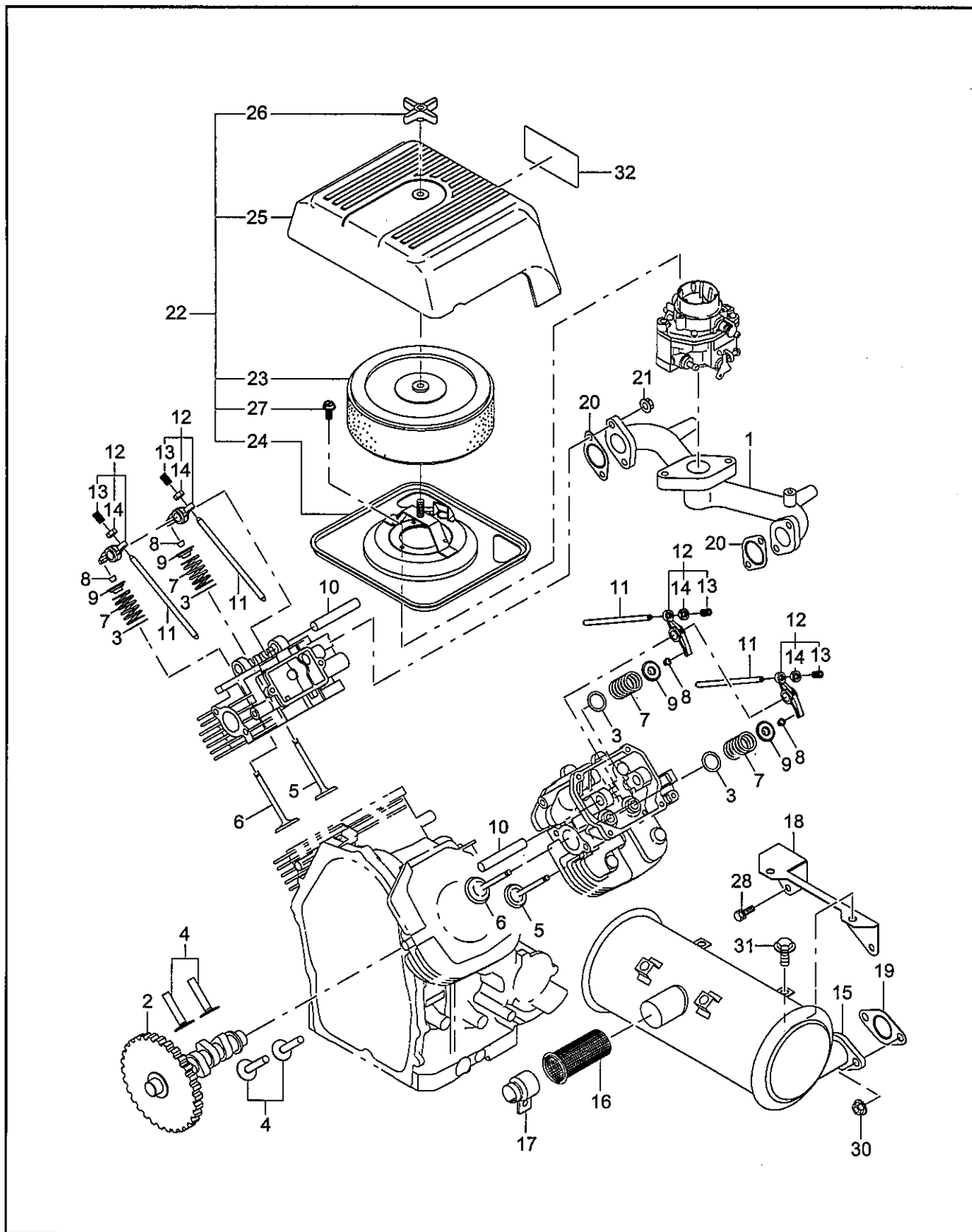


FIG.7 CRANKSHAFT GROUP



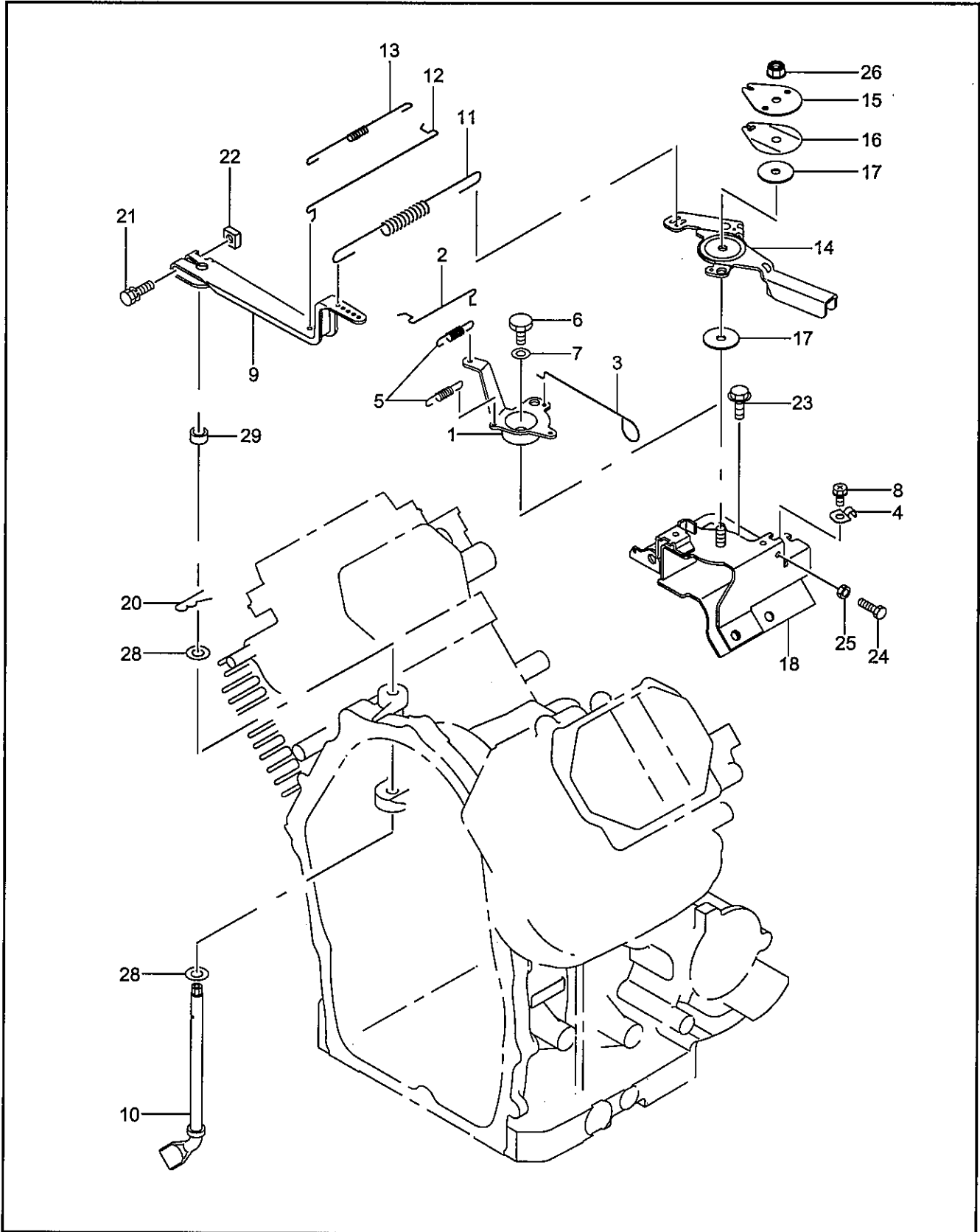


**FIG.8 INTAKE and EXHAUST GROUP**



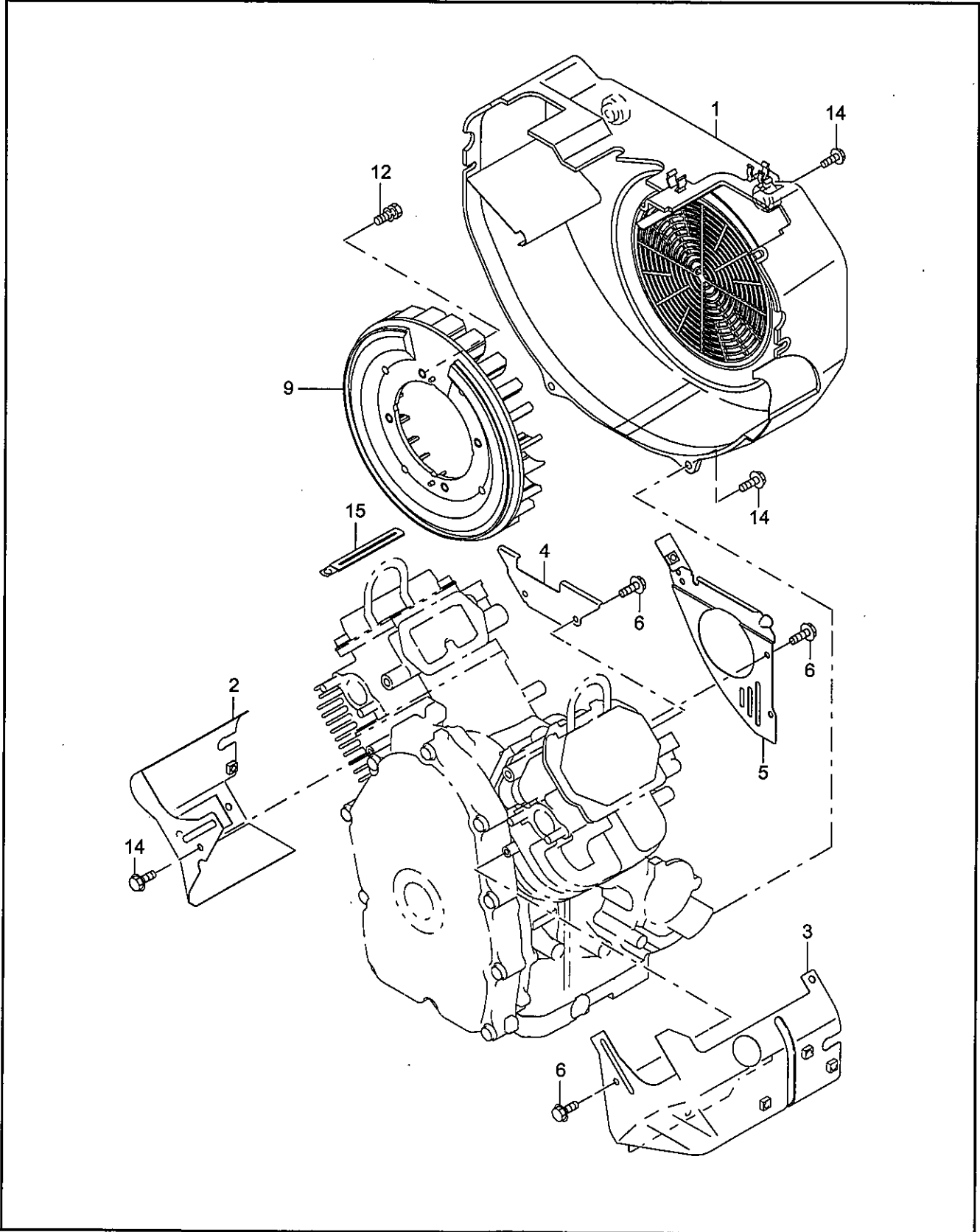


**FIG.9 GOVERNOR GROUP**





**FIG.10 COOLING and STARTING GROUP**



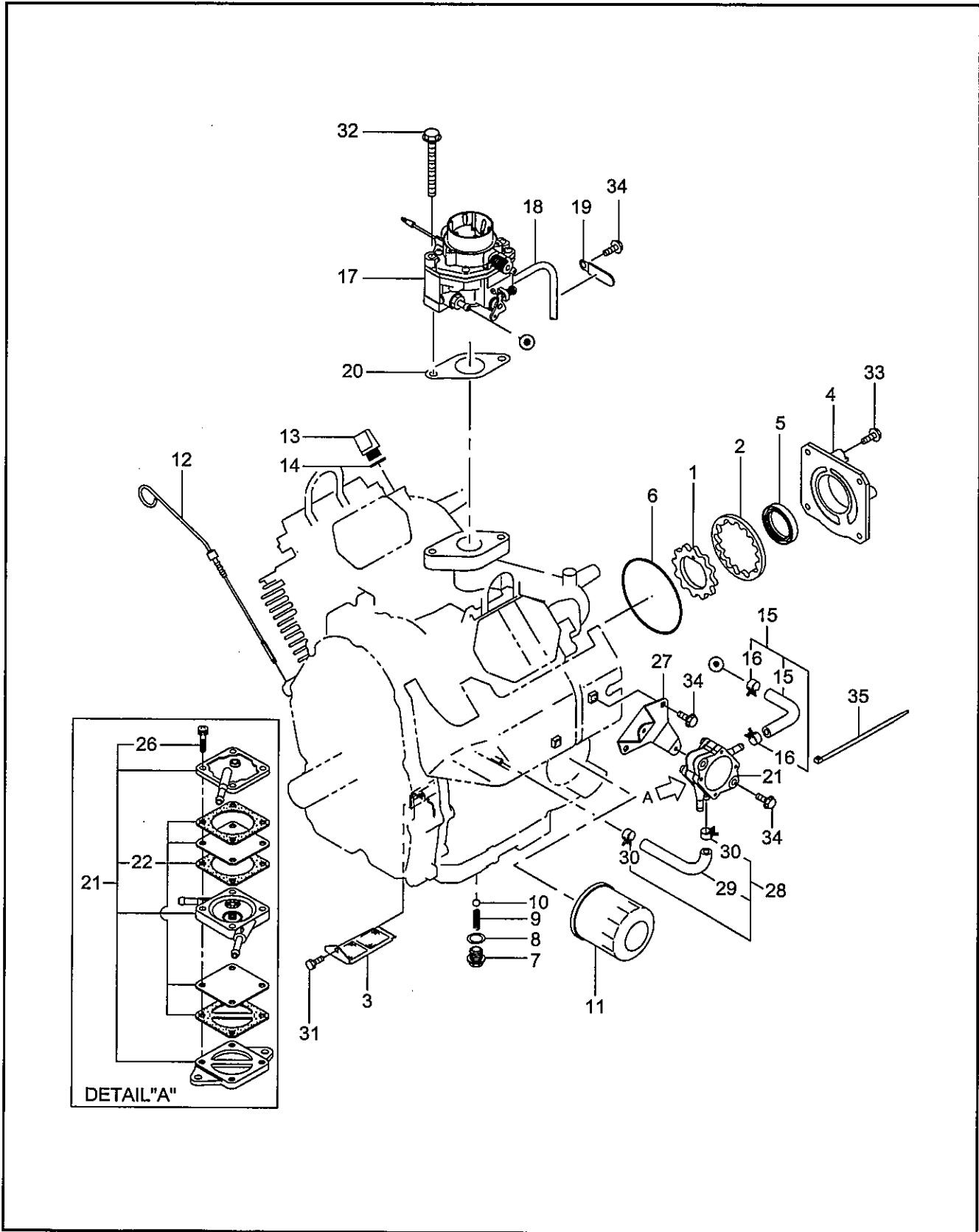


### FIG.10 COOLING and STARTING GROUP

└ Interchangeability

Ref. No.	Part Number	Description	Q'ty		Execution	
1	263-51101-A2	BLOWER HOUSING UNIT	1			
1	263-51101-02	BLOWER HOUSING UNIT	1			
2	263-52601-01	CYLINDER BAFFLE 1 COMPL.	1			
3	263-52704-A1	CYLINDER BAFFLE 2 COMPL.	1			
3	263-52701-01	CYLINDER BAFFLE 2 COMPL.	1			
4	263-52801-03	CYLINDER BAFFLE 3	1			
5	263-52911-B2	CYLINDER BAFFLE 4 UNIT	1			
6	011-00600-20	FLANGE BOLT (M6×12mm)	7			
9	263-54101-02	COOLING BLOWER UNIT	1			
12	001-14061-60	BOLT and WASHER ASS'Y	4			
14	011-00600-30	FLANGE BOLT (M6×14mm)	8			
15	056-60002-50	CLAMP	1			

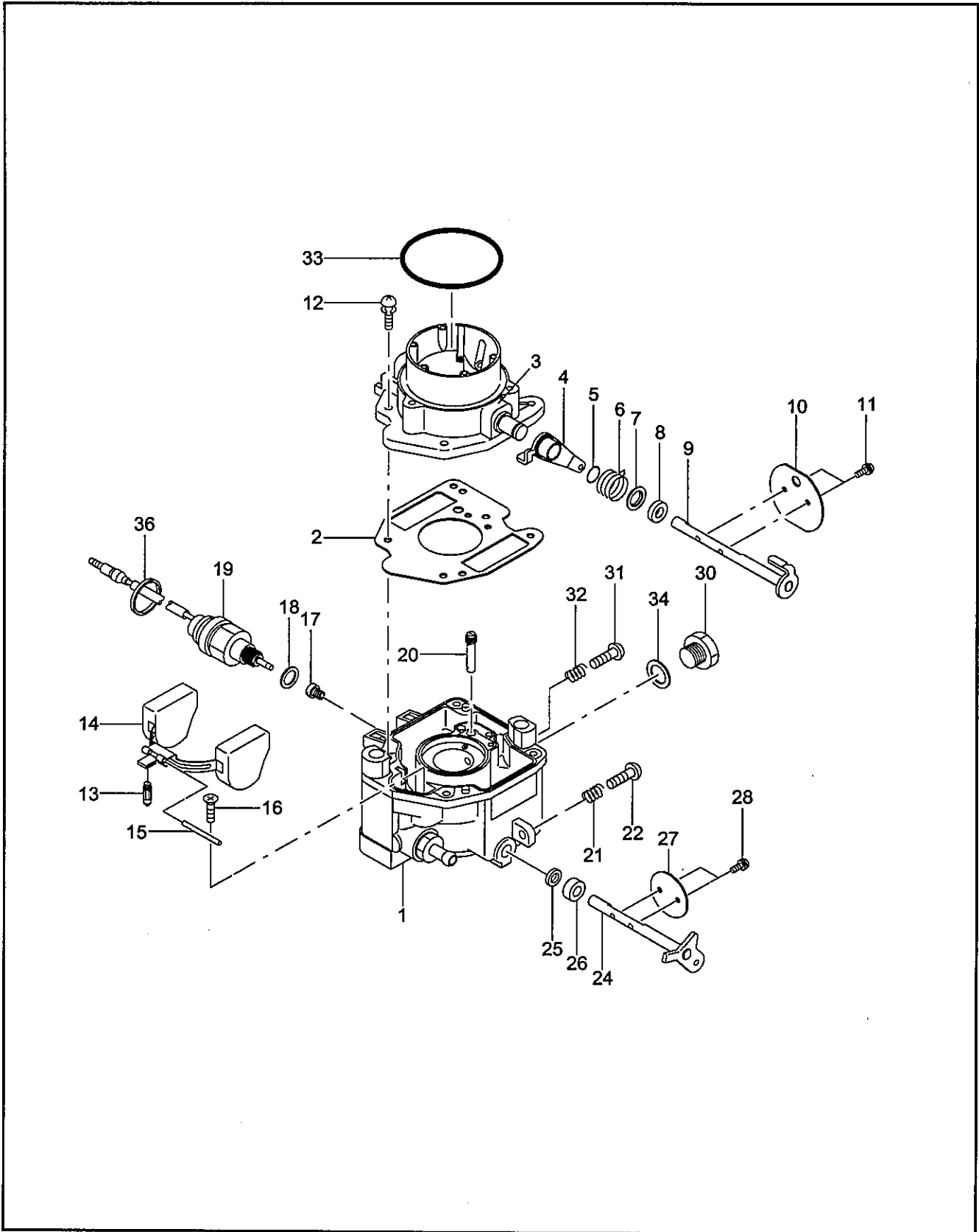
**FIG.11 FUEL, LUBRICANT GROUP**



**FIG.11 FUEL, LUBRICANT GROUP**

				☐ Interchangeability
Ref. No.	Part Number	Description	Q'ty	Execution
1	263-63901-03	INNER ROTOR	1	
2	263-63902-03	OUTER ROTOR	1	
3	263-64302-02	OIL PUMP FILTER UNIT	1	✕
3	263-64301-02	OIL PUMP FILTER UNIT	1	
*4	263-64001-01	OIL PUMP COVER, compl. Includes item 5	1	
5	044-03500-90	OIL SEAL	1	
6	X24-08900-20	O RING	1	
7	263-65001-13	PLUG, oil relief	1	
8	003-70140-00	GASKET, aluminum	1	
9	248-65601-03	SPRING, relief valve	1	
10	006-90308-00	STEEL BALL	1	
11	248-65801-00	OIL FILTER ASS'Y	1	☐
11	261-65902-A0	OIL FILTER ASS'Y	1	
12	263-63603-01	OIL GAUGE, compl.	1	
13	263-63602-03	OIL FILTER CAP	1	
14	021-31600-10	GASKET	1	
*15	263-62601-01	FUEL PIPE, compl. Includes items 15 and 16	1	
15	263-68001-A3	RUBBER PIPE (1/4" x 1/2" )	1	☐
15	263-68001-03	RUBBER PIPE (1/4" x 1/2" )	1	
16	263-68501-03	HOSE CLAMP	2	
17	263-62503-00	CARBURETOR ASS'Y	1	
18	160-67402-A3	VINYL PIPE	1	
19	206-75501-01	CLAMP, compl.	2	
20	263-66201-A3	GASKET, carburetor	1	☐
20	263-66201-03	GASKET, carburetor	1	
*21	248-62201-00	FUEL PUMP ASS'Y Includes items 22 and 26	1	
22	251-62251-08	DIAPHRAGM GASKET SET	1	
26	251-62250-08	SCREW	4	
27	263-65002-A3	BRACKET, fuel pump	1	☐
27	263-65002-02	BRACKET, fuel pump	1	
*28	263-62650-01	PULSE PIPE, compl. Includes items 29 and 30	1	
29	263-68051-A3	RUBBER PIPE (1/4" x 1/2" )	1	☐
29	263-68051-03	RUBBER PIPE (1/4" x 1/2" )	1	
30	263-68501-03	HOSE CLAMP	2	
31	263-65011-A3	FLANGE BOLT	1	✕
31	X10-10500-10	BOLT (10-32UNF-2A)	1	
32	011-00801-10	FLANGE BOLT (M8×80mm)	2	
33	011-00601-40	FLANGE BOLT (M6×18mm)	4	
34	011-00600-20	FLANGE BOLT (M6×12mm)	5	
35	056-30000-40	WIRE BAND	1	

**FIG.12 CARBURETOR GROUP**

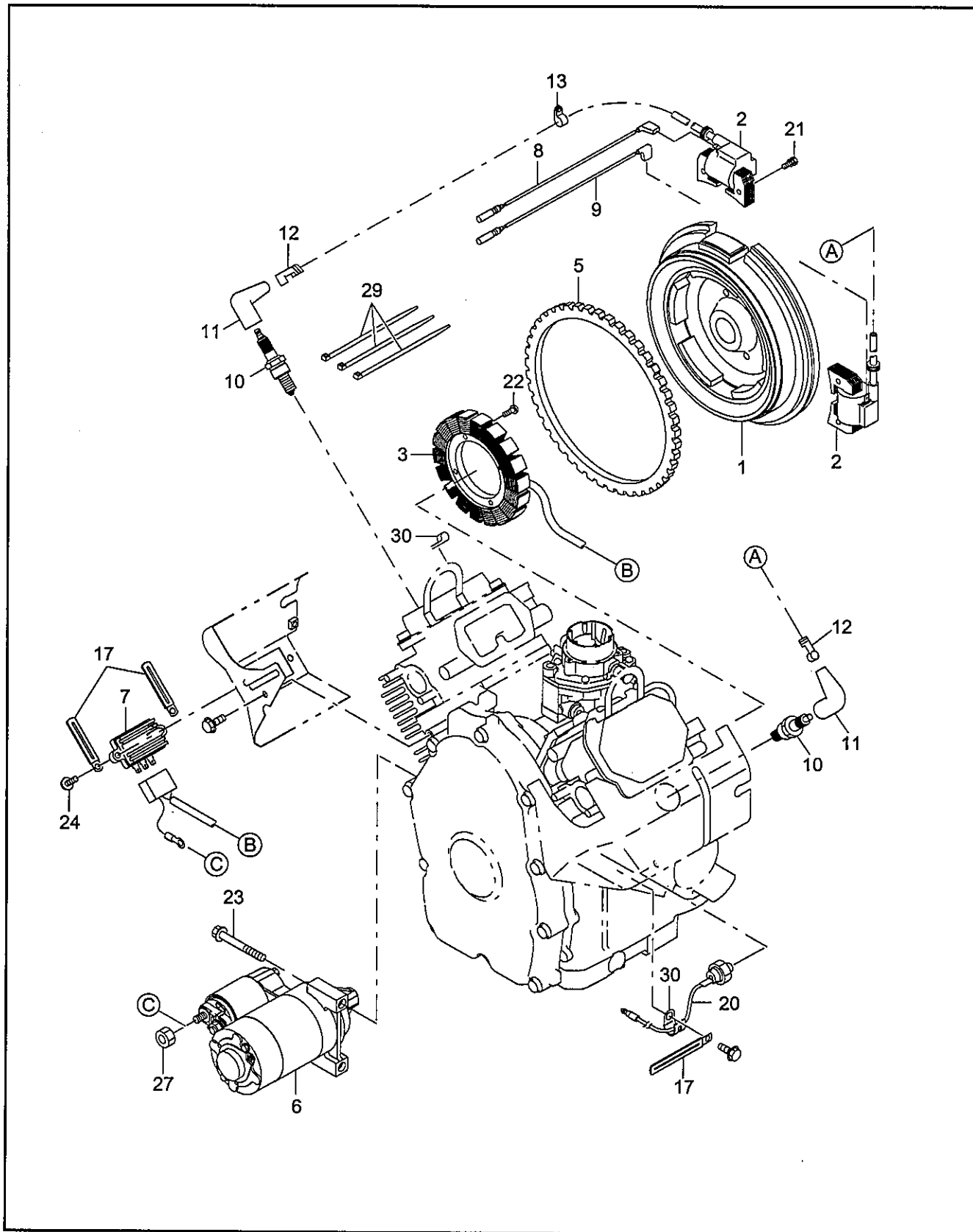


**FIG.12 CARBURETOR GROUP**

Interchangeability

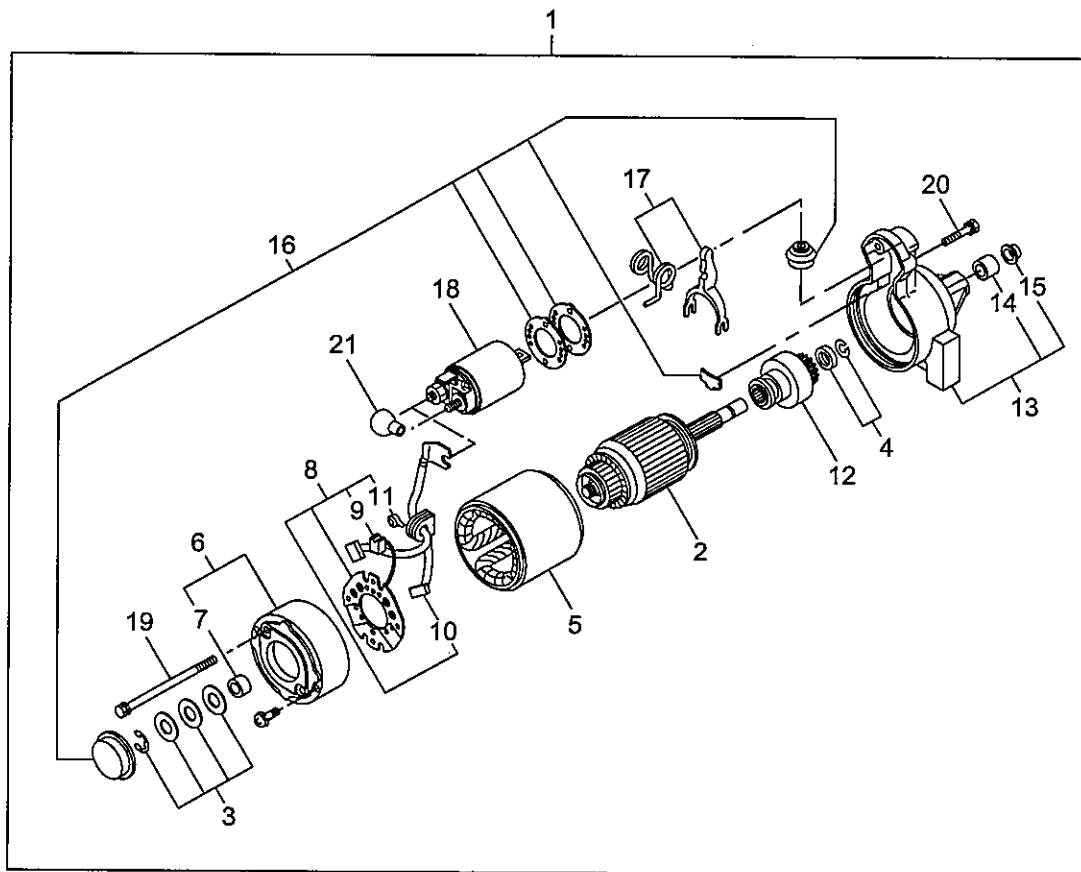
Ref. No.	Part Number	Description	Q'ty	Execution
*1	263-62503-00	CARBURETOR ASS'Y Includes items 2 thru 36	1	
2	258-62545-08	GASKET, air horn	1	
4	263-62524-08	LEVER ASS'Y, choke	1	
5	258-62551-08	RING, choke lever	1	
6	263-62445-08	SPRING, choke	1	
7	258-62553-08	COLLAR, choke	1	
8	258-62554-08	FILTER, choke shaft	1	
9	263-62520-08	SHAFT ASS'Y, choke	1	
10	258-62525-08	CHOKE VALVE	1	
11	258-62555-08	SCREW, valve set	2	
12	258-62450-08	SCREW, air horn set	4	
13	226-62501-08	VALVE, float	1	
14	258-62505-08	FLOAT ASS'Y	1	
15	258-62515-08	FLOAT PIN	1	
16	258-62556-08	SCREW, float pin set	1	
17	263-62400-08	MAIN JET (#132)	1	
18	258-62546-08	GASKET	1	
19	258-62557-18	SOLENOID VALVE ASS'Y	1	
20	258-62420-08	JET, slow (#60)	1	
21	258-62445-08	SPRING, adjust screw	1	
22	258-62451-08	SCREW, throttle adjust	1	
24	263-62532-08	THROTTLE SHAFT ASS'Y	1	
25	226-62580-08	FILTER, throttle shaft	1	
26	258-62570-08	COLLAR	1	
27	263-62535-08	THROTTLE VALVE	1	
28	261-62352-08	VALVE SET SCREW (M3×5mm)	2	
30	263-62551-08	PLUG	1	
31	215-62353-08	SCREW	1	
32	215-62446-08	SPRING	1	
33	263-62560-08	O RING	1	
34	263-62555-08	GASKET	1	
36	258-62566-08	CLAMP, solenoid wire	1	

FIG.13 ELECTRIC DEVICE GROUP





**FIG.14 STARTING MOTOR GROUP**







**FIG.15 ACCESSORIES GROUP**

